

Haier

User Manual

Refrigerator-Freezer

HTW5618DN*	HDPW5618CN*
HTW5618DW*	HDPW5618DW*
HTW5620DN*	HDPW5620BN*
HTW5618EN*	HDPW5620CN*
HTW5620EN*	HDPW5620AN*
HTW5618CN*	HDPW5620DN*
HTW5620CN*	HDPW5618DN*
HTW3620DN*	HDPW3620CN*
	HDPW3620DN*
	HDPW3618DN*

*=colour code: PT, MG, MP, PD, PK, PW

EN

CZ

DE

EL

ES

FR

HU

IT

NL

PL

PT

RO

FI

NO

SV

BG

SL

HR

SK

UK

EN



WARNING: Risk of fire/flammable material EN

The symbol indicates there is a risk of fire since flammable materials are used. Take care to avoid causing a fire by igniting flammable material.

VAROVÁNÍ: Nebezpečí Požáru/Hořlavého Materiálu CZ

Symbol označuje riziko požáru, protože byly použity hořlavé materiály. Dbejte na to, aby nedošlo ke vzniku požáru zapálením hořlavého materiálu.

WARNUNG: Brandgefahr/brennbares Material DE

Das Symbol weist auf Brandgefahr hin, da brennbare Materialien verwendet werden. Verhindern Sie die Entstehung von Bränden, die durch entflammable Materialien verursacht werden.

ΠΡΟΣΟΧΗ: Κίνδυνος φωτιάς/εύφλεκτο υλικό EL

Το σύμβολο υποδεικνύει ότι υπάρχει κίνδυνος φωτιάς επειδή χρησιμοποιούνται εύφλεκτα υλικά. Προσέχετε να αποφεύγετε την πρόκληση φωτιάς από ανάφλεξη εύφλεκτου υλικού.

ADVERTENCIA: Riesgo de incendio o material inflamable ES

El símbolo indica que existe riesgo de incendio, dado que se utilizan materiales inflamables. Se debe procurar evitar incendios mediante la combustión de materiales inflamables.

ATTENTION: Risque d'incendie ou de matières inflammables FR

Le symbole montre qu'il y a le risque de matériaux inflammables sont utilisés. Prendre soin d'éviter de provoquer un incendie en ingérant des matières inflammables.

FIGYELEM: Tűz / gyúlékony anyag veszélye HU

A szimbólum azt jelzi, hogy tűzveszély áll fenn, mivel gyúlékony anyagokat használnak. Ügyeljen arra, hogy ne tegyen rá tűzveszélyes gyúlékony anyagot.

ATTENZIONE: Rischio di incendio/materiale infiammabile IT

Il simbolo indica il rischio di incendio nel caso di utilizzo di materiali infiammabili. Fare attenzione ed evitare l'insorgere di incendi a causa della combustione di materiali infiammabili.

WAARSCHUWING: Brandrisico / brandbaar materiaal NL

Het systeem geeft aan dat er een brandrisico bestaat aangezien brandbaar materiaal wordt gebruikt. Zorg ervoor dat er geen brand wordt veroorzaakt door brandbaar materiaal te ontsteken.

OSTRZEŽENIE: Ryzyko pożaru/materiał łatwopalny PL

Symbol wskazuje, że istnieje ryzyko pożaru, ponieważ używane są materiały łatwopalne. Dbaj o to, aby uniknąć pożaru poprzez zapale nie łatwopalnego materiału.

AVISO: Risco de incêndio e material inflamável PT

O símbolo indica que existe um risco de incêndio, uma vez que são utilizados materiais inflamáveis. Tenha cuidado para evitar provocar um incêndio acendendo material inflamável.

AVERTISMENT: Risc de incendiu/material inflamabil RO

Simbolul indică că există risc de incendiu deoarece sunt folosite materiale inflamabile. Aveți grijă și evitați incendiile aprinzând materiale inflamabile.

VAROITUS: Tulipalon vaara / syttyvä materiaalia FI

Symboli osoittaa tulipalon vaaraa, joka johtuu käytetyistä syttyvistä materiaaleista. Varo, ettet aiheuta tulipaloa sytyttämällä syttyvää materiaalia.

ADVARSEL: Fare for brann / brennbart materiale NO

Symbolet angir at det er fare for brann siden brennfarlige materialer er brukt. Vær forsiktig så du unngår å forårsake brann ved å isolere brennfarlige materialer.

WARNING: Risk för brand/brandfarliga material SV

Symbolen indikerar att det finns en brandrisk eftersom brandfarliga material används. Var försiktig för att undvika att brandfarliga material fattar eld.

ПРЕДУПРЕЖДЕНИЕ: Опасност от пожар/запалим материал BG

Символът показва, че съществува опасност от пожар, тъй като се използват запалими материали. Внимавайте да не предизвикате пожар чрез подпалване на запалим материал.

UPOZORENJE: opasnost od požara / zapaljivog materijala HR

Simbol označava opasnost od požara jer se upotrebljavaju zapaljivi materijali. Pazite da ne prouzročite požar paljenjem zapaljivog materijala.

VAROVANIE: Riziko požiaru/horľavý materiál SK

Symbol označuje nebezpečenstvo požiaru, pretože sa používajú horľavé materiály. Dávajte pozor, aby ste zabránili vzniku požiaru vznietením horľavého materiálu.

<u>5 Safety information</u>	<u>Before first use</u>	<u>6</u>
	<u>Installation</u>	<u>6</u>
	<u>Daily use</u>	<u>7</u>
<u>10 Intended use</u>		
<u>11 Product description</u>		
<u>15 Control panel</u>		
<u>16 Use</u>	<u>Adjust the temperature for fridge</u>	<u>17</u>
	<u>Adjust the temperature for freezer</u>	<u>17</u>
	<u>Adjust the temperature for My Zone</u>	<u>17</u>
	<u>Super-Cool function</u>	<u>18</u>
	<u>Super-Frz function</u>	<u>19</u>
<u>24 Equipment</u>		
<u>28 Energy saving tips</u>		
<u>29 Care and cleaning</u>		
<u>32 Troubleshooting</u>		
<u>36 Installation</u>		
<u>40 Technical data</u>		
<u>46 Customer service</u>		



Please click the contents to look at the detail information.

Thank you for purchasing a Haier Product.

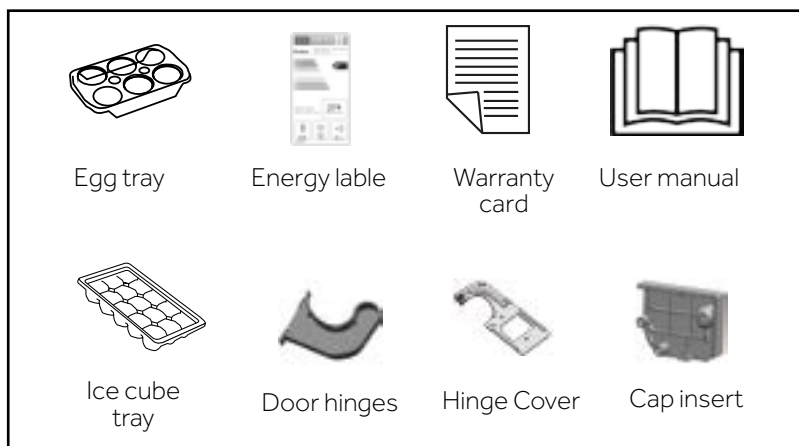
Please read these instructions carefully before using this appliance. The instructions contain important information which will help you get the best out of the appliance and ensure safe and proper installation, use and maintenance.

Keep this manual in a convenient place so you can always refer to it for the safe and proper use of the appliance.

If you sell the appliance, give it away, or leave it behind when you move house, make sure you also pass this manual so that the new owner can become familiar with the appliance and safety warnings.

Accessories

Check the accessories and literature in accordance with this list:





WARNING – Important Safety information



NOTICE-General information and tips



Environmental information



Disposal

Help protect the environment and human health. Put the packaging in applicable containers to recycle it. Help to recycle waste of electrical and electronic appliances. Do not dispose appliances marked with this symbol with the household waste. Return the product to your local recycling facility or contact your municipal office.



WARNING!

Risk of injury or suffocation!

Refrigerants and gases must be disposed of professionally. Ensure that the tubing of the refrigerant circuit is not damaged before being properly disposed of. Disconnect the appliance from the mains supply. Cut off the mains cable and dispose of it. Remove the trays and drawers as well as the door catch and seals, to prevent children and pets to get closed in the appliance.



Before switching on the appliance for the first time read the following safety hints!:



WARNING!

Before first use

- ▶ Make sure there is no transport damage.
- ▶ Remove all packaging and keep out of children's reach.
- ▶ Wait at least two hours before installing the appliance in order to ensure the refrigerant circuit is fully efficient.
- ▶ Handle the appliance always with at least two persons because it is heavy.

Installation

- ▶ The appliance should be placed in a well-ventilated place. Ensure a space of at least 10 cm above and around the appliance.
- ▶ Never place the appliance in a damp area or location where it might be splashed with water. Clean and dry water splashes and stains with a soft clean cloth.
- ▶ Do not install the appliance in direct sunlight or in the near of heat sources (e.g. stoves, heaters).
- ▶ Install and level the appliance in an area suitable for its size and use.
- ▶ Keep ventilation openings in the appliance or in the in-built structure clear of obstruction.
- ▶ Make sure that the electrical information on the rating plate agrees with the power supply. If it does not, contact an electrician.
- ▶ The appliance is operated by a 220-240 VAC/50 Hz power supply. Abnormal voltage fluctuation may cause the appliance to fail to start, or damage to the temperature control or compressor, or there may be an abnormal noise when operating. In such case, an automatic regulator shall be mounted.
- ▶ Do not use multi-plug adapters and extension cables.
- ▶ Do not locate multiple portable socket-outlets or portable power supplies at the rear of the appliance.
- ▶ Ensure that the power cable is not trapped by the refrigerator. Do not step on the power cable.

**WARNING!**

- ▶ Use a separate earthed socket for the power supply which is easily accessible. The appliance must be earthed.
Only for UK: The appliance's power cable is fitted with 3-cord (grounding) plug that fits a standard 3-cord (grounded) socket. Never cut off or dismantle the third pin (grounding). After the appliance is installed, the plug should be accessible.
- ▶ Do not damage the refrigerant circuit.

Daily use

- ▶ This appliance can be used by children aged from 8 years and above and persons with reduced physical, sensory or mental capabilities or lack of experience and knowledge if they have been given supervision or instruction concerning use of the appliance in a safe way and understand the hazards involved.
- ▶ Children aged from 3 to 8 years are allowed to load and unload, but not allowed to clean or install the refrigerating appliances.
- ▶ Keep away children under 3 years of age from the appliance unless they are constantly supervised.
- ▶ Children shall not play with the appliance.
- ▶ If cool gas or other inflammable gas is leaking in the vicinity of the appliance, turn off the valve of the leaking gas, open the doors and windows and do not unplug a plug in the power cable of the refrigerator or any other appliance.
- ▶ Notice that the appliance is set for operation at a specific ambient range between 10 and 43°C. The appliance may not work properly if it is left for a long period at a temperature above or below the indicated range.
- ▶ Do not place unstable articles (heavy objects, containers filled with water) on top of the refrigerator, to avoid personal injury caused by falling or electric shock caused by contact with water.
- ▶ Do not pull on the door shelves. The door may be pulled slant, the bottle rack, may be pulled away, or the appliance may topple.
- ▶ Open and close the doors only with the handles. The gap between the doors and between the doors and the cabinet is very narrow. Do not extend your hands in these areas to avoid pinching your fingers. Open or close the refrigerator doors only when there are no children standing within the range of door movement.



WARNING!

- ▶ Do not store or use inflammable, explosive or corrosive materials in the appliance or in the vicinity.
 - ▶ Do not store medicines, bacteria or chemical agents in the appliance. This appliance is a household appliance. It is not recommended to store materials that require strict temperatures.
 - ▶ Never store liquids in bottles or cans (besides high percentage spirits) especially carbonated beverages in the freezer, as these will burst during freezing.
 - ▶ Check the condition of food if a warming in the freezer has taken place.
 - ▶ Do not set unnecessarily low temperature in the refrigerator compartment. Minus temperatures may occur at high settings. Attention: Bottles can burst
 - ▶ Do not touch frozen goods with wet hands (wear gloves). Especially do not eat ice lollies immediately after removal from the freezer compartment. There is the risk to freeze or the formation of frost blisters. FIRST aid: keep immediately under running cold water. Do not pull away!
 - ▶ Do not touch the inside surface of the freezer storage compartment when in operation, especially with wet hands, as your hands may freeze onto the surface.
 - ▶ Unplug the appliance in the event of a power interruption or before cleaning. Allow at least 7 minutes before restarting the appliance, as frequent starting may damage the compressor.
 - ▶ Do not use electrical devices inside the food storage compartments of the appliance, unless they are of the type recommended by the manufacturer.
- Maintenance / cleaning
- ▶ Make sure children are supervised if they carry out cleaning and maintenance.
 - ▶ Disconnect the appliance from the electrical supply before undertaking any routine maintenance. Allow at least 5 minutes before restarting the appliance, as frequent starting may damage the compressor.



WARNING!

- ▶ Hold the plug, not the cable, when unplugging the appliance.
- ▶ Do not clean the appliance with hard brushes, wire brushes, detergent powder, petrol, amyl acetate, acetone and similar organic solutions, acid or alkaline solutions. Please clean with special refrigerator detergent to avoid damage.
- ▶ Do not scrape off frost and ice with sharp objects. Do not use sprays, electric heaters like heater, hair dryer, steam cleaners or other sources of heat in order to avoid damage to the plastic parts.
- ▶ Do not use mechanical devices or other means to accelerate the defrosting process, other than those recommended by the manufacturer.
- ▶ If the supply cord is damaged, it must be replaced by the manufacturer, its service agent or similarly qualified persons in order to avoid a hazard.
- ▶ Do not try to repair, disassemble or modify the appliance by yourself. In case of repair please contact our customer service.
- ▶ Eliminate the dust on the back of the unit at least once in the year to avoid hazard by fire, as well as increased energy consumption.
- ▶ Do not spray or flush the appliance during cleaning.
- ▶ Do not use water spray or steam to clean the appliance.
- ▶ Do not clean the cold glass shelves with hot water. Sudden temperature change may cause the glass to break.

Refrigerant gas information



WARNING!

The appliance contains the flammable refrigerant ISOBUTANE (R600a). Make sure the refrigerant circuit is not damaged during transportation or installation. Leaking refrigerant may cause eye injuries or ignite. If a damage has occurred, keep away open fire sources, thoroughly ventilate the room, do not plug or unplug the power cords of the appliance or any other appliance. Inform the customer service.

In case of eyes get into contact with the refrigerant, rinse immediately it under running water and call immediately the eye specialist.



Intended use

This appliance is intended for cooling and freezing food. It has been designed exclusively for use in household and similar applications such as staff kitchen areas in shops, offices and other working environments; farm houses and by clients in hotels, motels and other residential type environments as well as in bed-and-breakfast and catering business. It is not intended for commercial or industrial use.

Changes or modifications to the device are not allowed. Unintended use may cause hazards and loss of warranty claims.

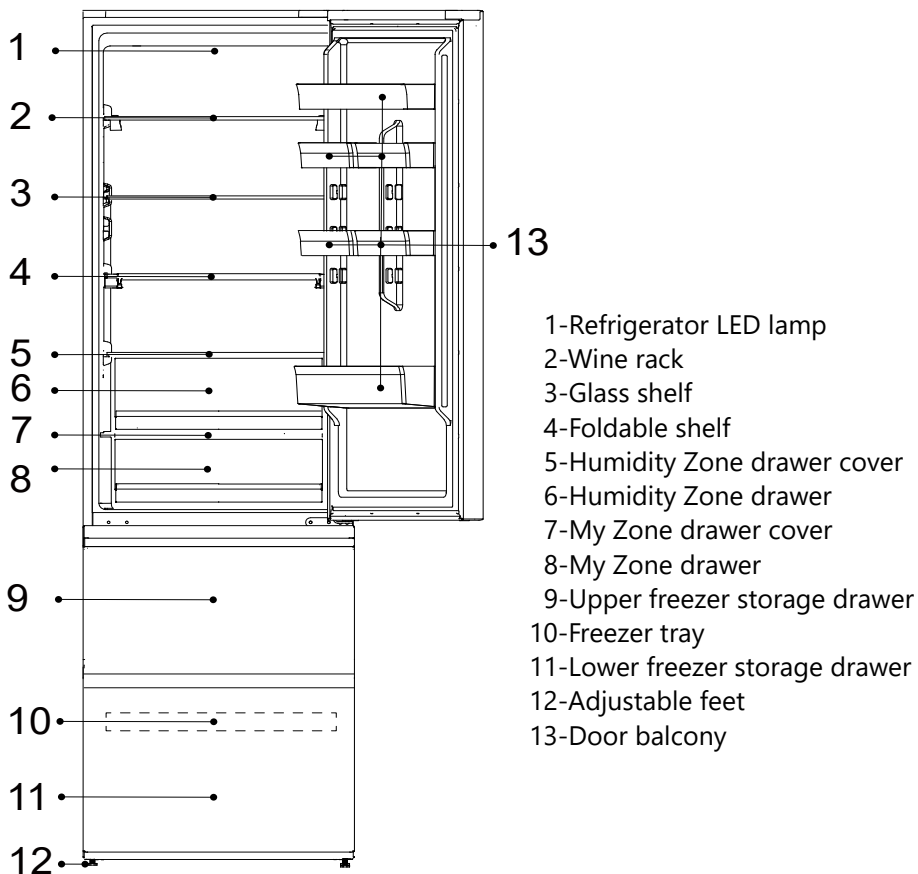
Standards and directives **CE**

This product meets the requirements of all applicable EC directives with the corresponding harmonised standards, which provide for CE marking.

i NOTICE

Due to technical changes and different models, some of the illustrations in this manual may differ from model.

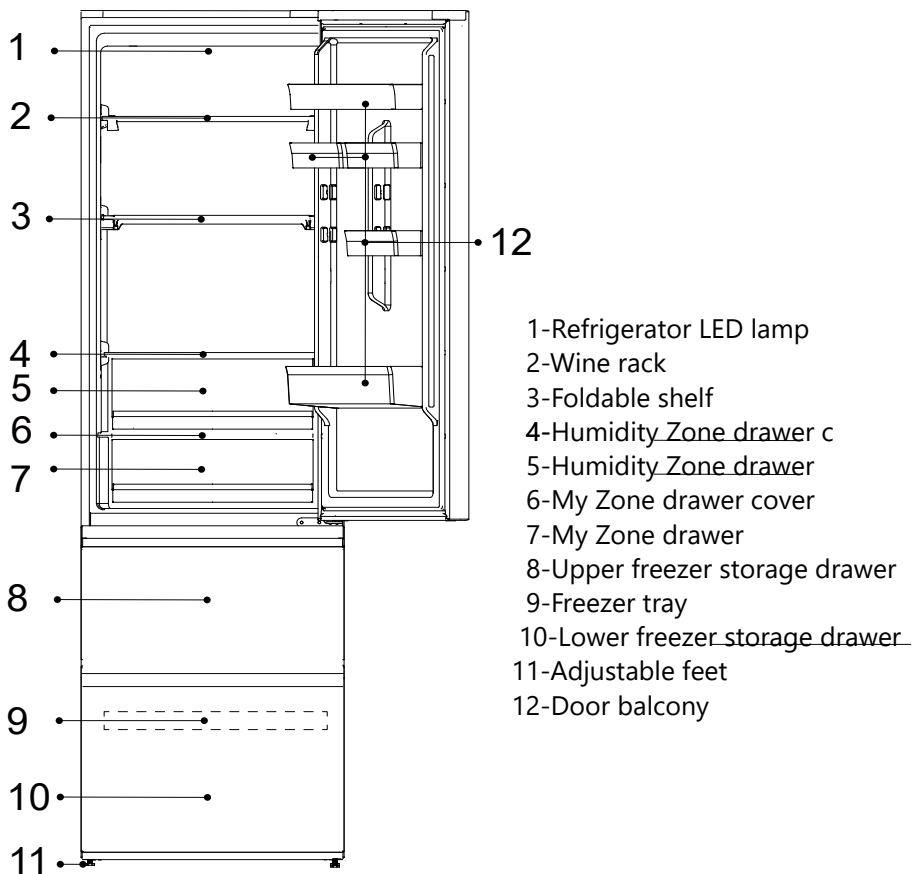
(HTW5620EN*, HTW5620DN*, HTW5620CN*)



i NOTICE

Due to technical changes and different models, some of the illustrations in this manual may differ from model.

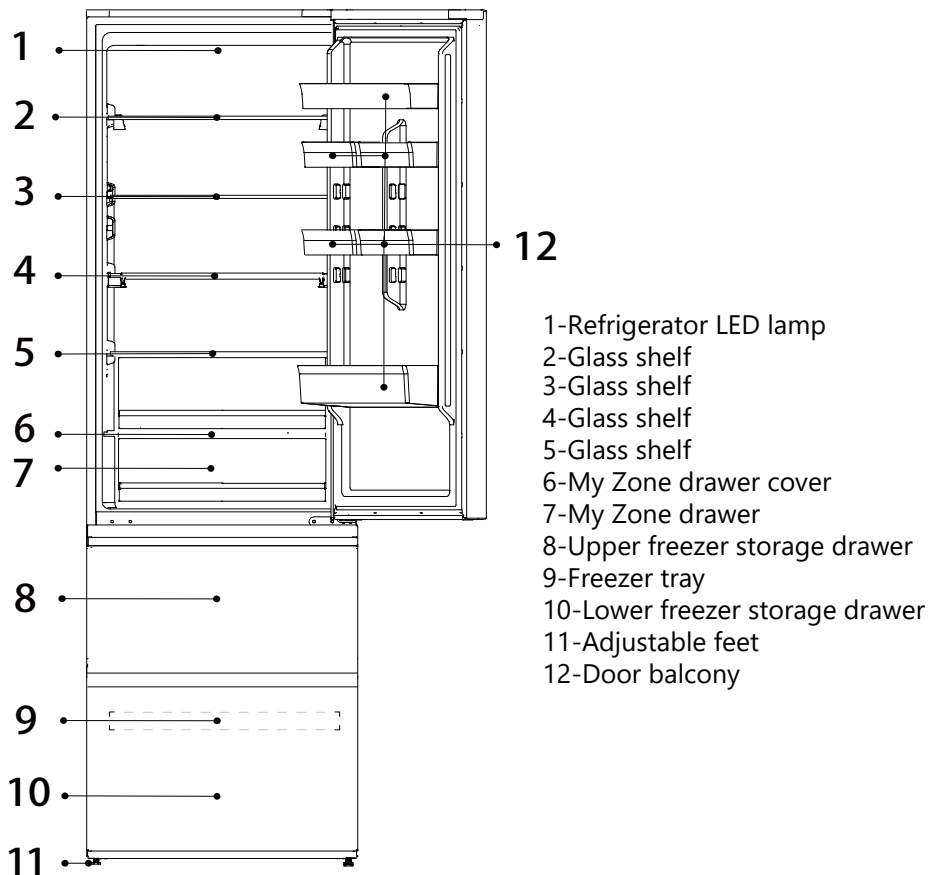
(HTW5618DN*, HTW5618CN*, HTW5618EN*)



i NOTICE

Due to technical changes and different models, some of the illustrations in this manual may differ from model.

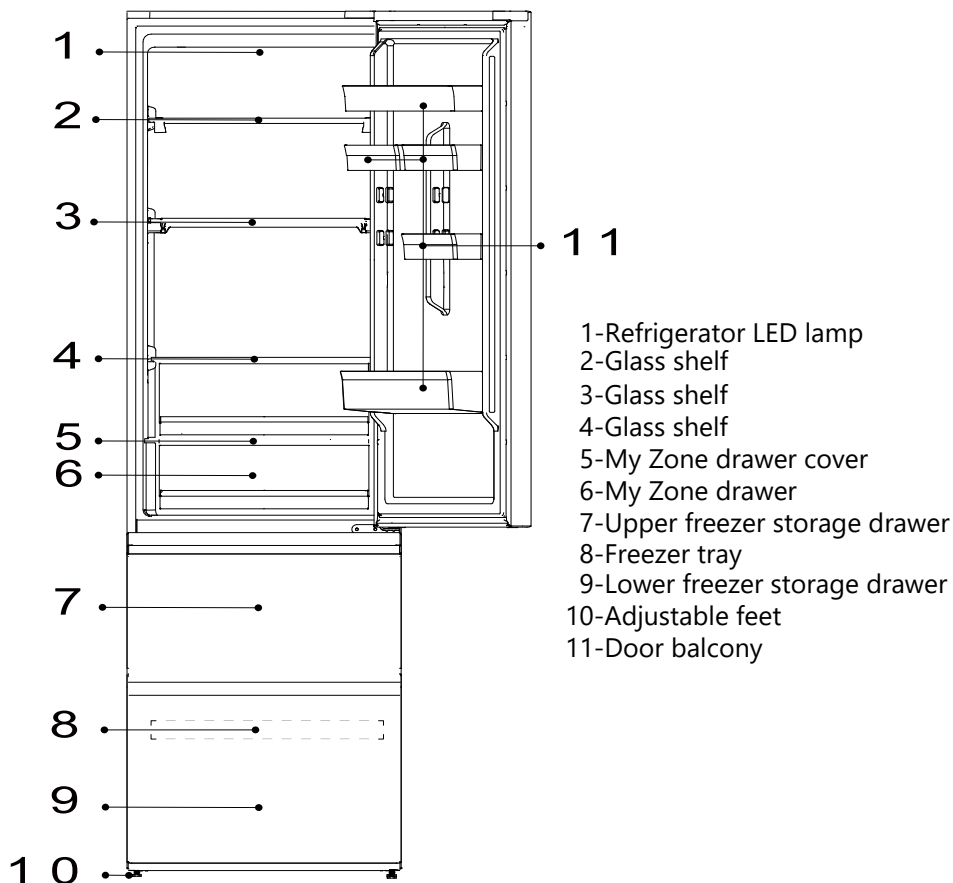
(HTW3620EN*, HTW3620DN*, HTW3620CN*)



i NOTICE

Due to technical changes and different models, some of the illustrations in this manual may differ from model.

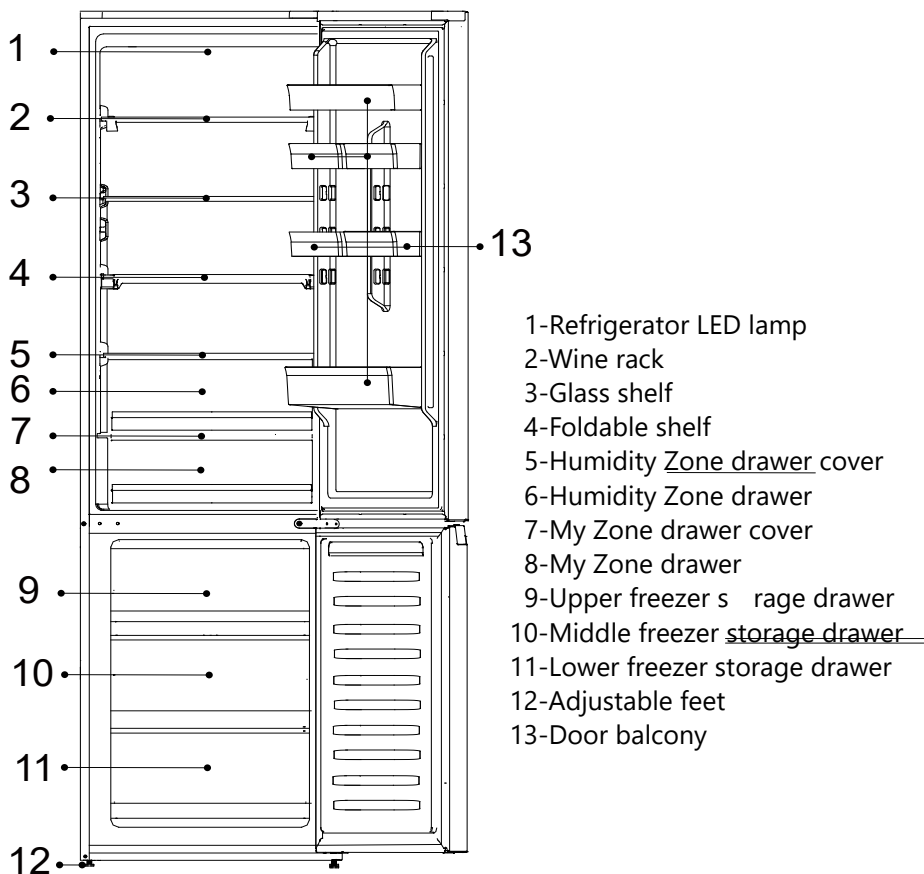
(HTW3618EN*, HTW3618DN*, HTW3618CN*)



NOTICE

Due to technical changes and different models, some of the illustrations in this manual may differ from model.

(HDPW5620DN*, HDPW5620CN*, HDPW5620BN*, HDPW5620AN*)

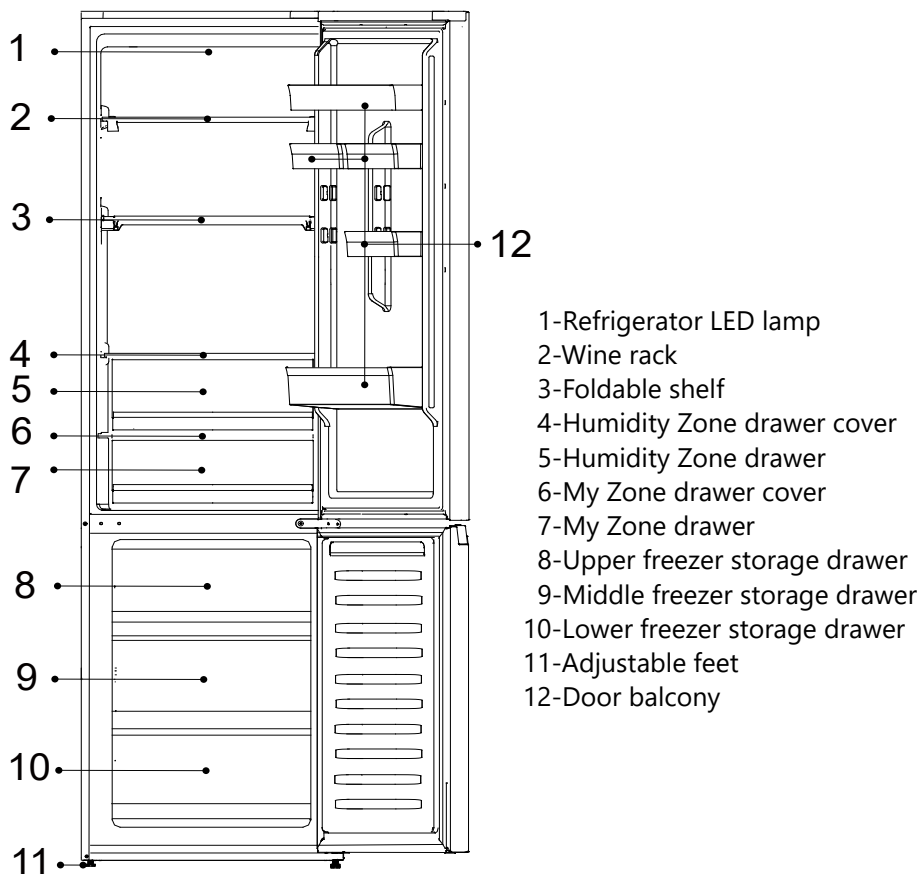




NOTICE

Due to technical changes and different models, some of the illustrations in this manual may differ from model.

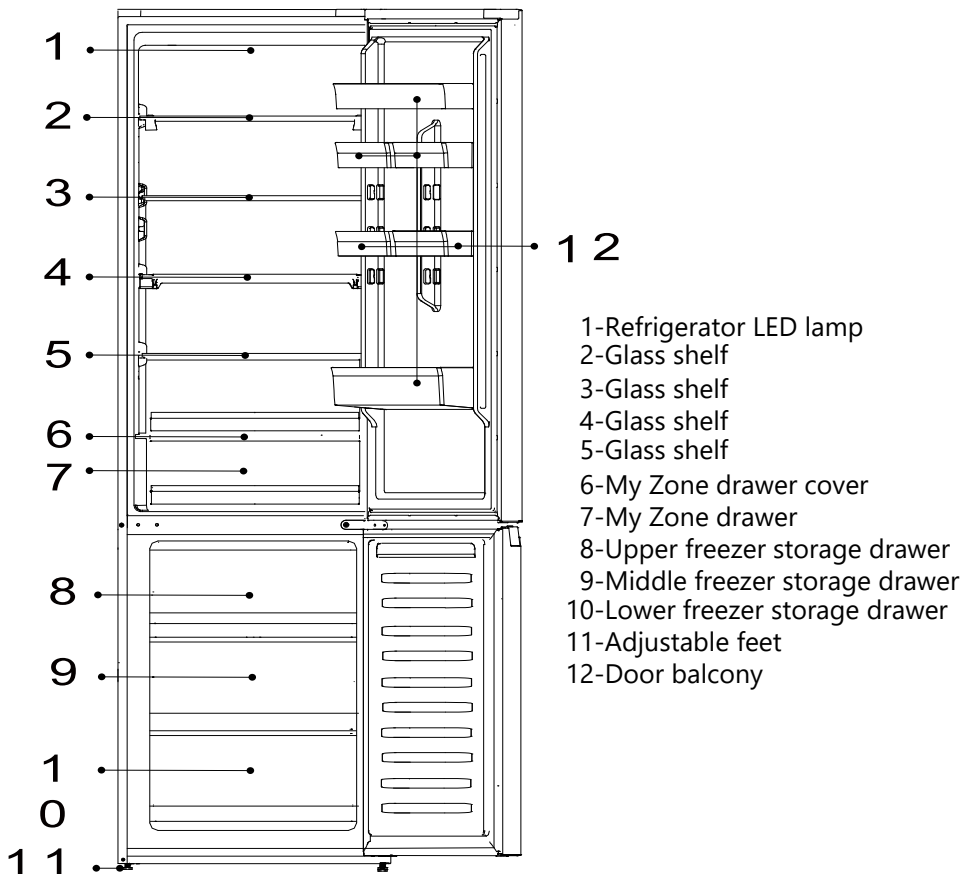
(HDPW5618DN*, HDPW5618CN*)



i NOTICE

Due to technical changes and different models, some of the illustrations in this manual may differ from model.

(HDPW3620DN*, HDPW3620CN*)

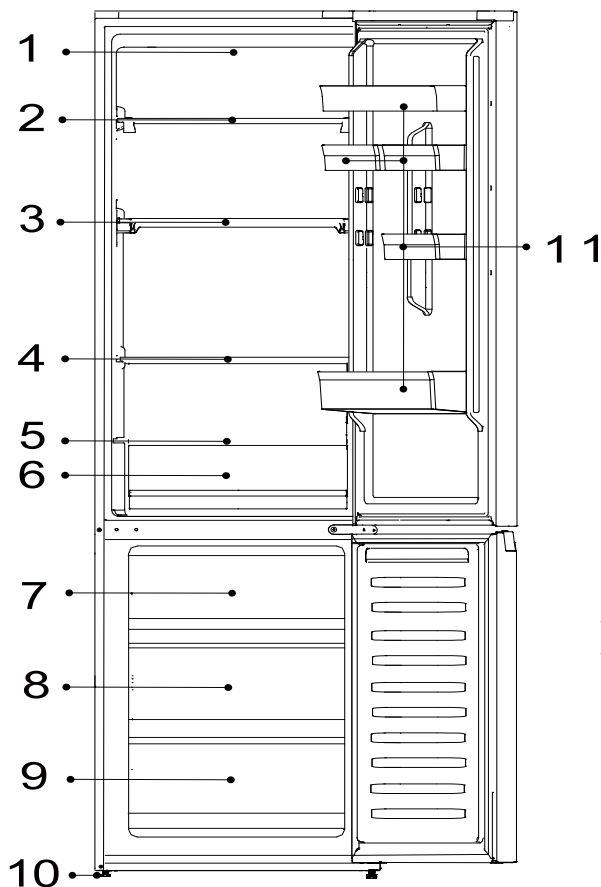




i NOTICE

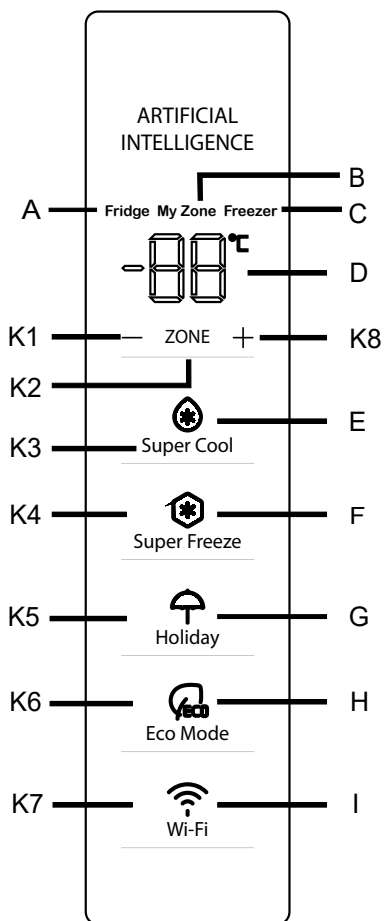
Due to technical changes and different models, some of the illustrations in this manual may differ from model.

(HDPW3618DN*, HDPW3618CN*)



- 1-Refrigerator LED lamp
- 2-Glass shelf
- 3-Glass shelf
- 4-Glass shelf
- 5-My Zone drawer cover
- 6-My Zone drawer
- 7-Upper freezer storage drawer
- 8-Middle freezer storage drawer
- 9-Lower freezer storage drawer
- 10-Adjustable feet
- 11-Door balcony

Control panel



Indicators:

- A Fridge compartment
- B Chill compartment (My Zone)
- C Freezer compartment
- D Temperature display
- E Super Cool function
- F Super Freeze function
- G Holiday function
- H Eco Mode function
- I Wi-Fi function

Buttons:

- K1 Decrease temperature
- K2 Fridge, My Zone and Freezer selection
- K3 Super Cool function on/off
- K4 Super Freeze function on/off
- K5 Holiday function on/off
- K6 Eco Mode function on/off
- K7 Wi-Fi function on/off
- K8 Increase temperature

Before first use

Remove all packaging materials, keep them out of children's reach and dispose them in an environment friendly way.

Clean the inside and outside of the appliance as well as the interior and accessories with water and a mild detergent, and dry it well with soft cloth.

After the appliance has been levelled and cleaned, please wait for at least 2 hours before connecting it to the power supply. See Section INSTALLATION.

Precool the compartments at high settings before loading with food. The function Super Freeze helps to cool down the freezer compartment quickly

Sensor keys

The buttons on the control panel are sensor keys, which already respond when lightly touched with the finger.

Switch on /off the appliance

The appliance is in operation as soon as it is connected to the power supply.

When the appliance is powered on for the first time, temperature indicators "D" shows the presetting values (refer to the below Notice).



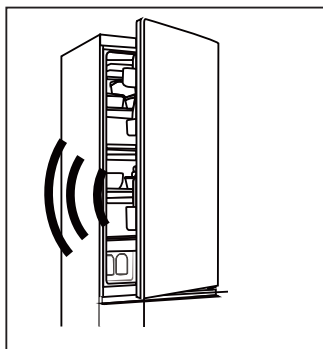
NOTICE

The appliance is preset to the recommended temperature of 5 °C (refrigerator) and -18 °C (freezer). My Zone temperature is preset to about 2 °C. These are the recommended settings. If desired, you can change these temperatures manually.

Door opening alarm

When the refrigerator door is open for more than 3 minutes, the door opening alarm will sound.

The alarm can be silenced by closing the door. If the door is open for more than 7 minutes, the light inside the refrigerator and control panel illumination will automatically turn off.



Adjust the temperature

The indoor temperatures are influenced by the following factors:

- ▶ Ambient temperature
- ▶ Frequency of door opening
- ▶ Amount of stored foods
- ▶ Installation of the appliance



Adjust the temperature for fridge

1. Press the button "K2" (Fridge/ (My Zone)/ Freezer selection) to select the Fridge compartment. Icon "A" (Fridge compartment) and "D" (Temperature display) are bright.

2. Press the button "K1/K8" to set the fridge temperature.

The temperature increases in sequences of 1°C, from a minimum of 2°C to a maximum of 8°C. The optimal temperature in the refrigerator is 5°C. Colder temperatures mean unnecessary energy consumption.

3. After about 5s, temperature icon "D" (Temperature display) will be bright permanently and the setting is confirmed.

Adjust the temperature for freezer

1. Press the button "K2" (Fridge/ (My Zone)/ Freezer selection) to select the freezer compartment. Icon "C" (Freezer compartment) and "D" (Temperature display) are bright.

2. Press the button "K1/K8" to set the freezer temperature.

The temperature increases in sequences of 1°C, from a minimum of -24°C to a maximum of -16°C. The optimal temperature in the refrigerator is -18°C. Colder temperatures mean unnecessary energy consumption.

3. After about 5s, temperature indicator "D" (Temperature display) will be bright permanently and the setting is confirmed.

Adjust the temperature for My Zone

The fridge compartment is equipped with a My Zone drawer. In accordance with the food storage demands, the most suitable temperature can be selected to get the optimal nutritional value of the foods.

1. Press the button "K2" (Fridge/ (My Zone)/ Freezer selection) to select the My Zone compartment. Icon "B" (My Zone compartment) and "D" (Temperature display) are bright.

2. Press the button "K1/K8" to set the My Zone temperature.

The temperature increases in sequences of 1°C, from a minimum of 0°C to a maximum of 5°C.

3. After about 5s, temperature icon "D" (Temperature display) will be bright permanently and the setting is confirmed.



NOTICE

1. You can set the temperature of the My Zone compartment in the middle level (2°C), in order to preserve your food in the optimal storage environment.
2. Due to different water contents of meat, some meat with higher moisture will be frozen at temperatures lower than 0°C, so "immediately cut" meat should be stored in My Zone drawer, with minimum temperature 0°C.
3. Cold-sensitive fruit like pineapples, avocados, bananas, grapefruits and vegetables such as potatoes, aubergines, beans, cucumbers, zucchini and tomatoes and cheese should not be stored in the My Zone drawer.
4. If the fridge temperature lower than My Zone temperature, it is normal the My Zone temperature lower than the My Zone setting temperature.

NOTICE

After setting the temperature, if other buttons are pressed within 5 seconds, the current temperature setting will be confirmed immediately. If no button operation is performed within 5 seconds, the current set temperature is displayed until the screen extinguishes.

NOTICE

From the App it is possible to customize the temperature for fridge, freezer and My Zone. The temperature can be set with 1°C sensitivity.

Super Cool function

1. It is suggested to switch on the Super Cool function if larger quantity of food should be stored (for example after the purchase). The Super Cool function accelerates the cooling of fresh food and protects the food already stored from undesirable warming.
2. Press button "K3" or turn it on from the App, icon "E" (Super Cool function) is bright and the function is activated.

NOTICE

1. The appliance quits "Super Cool function" after entering "Super Cool function" for 6 hours or pressing button "K3" when the icon "E" (Super Cool function) is bright or turn it off from the App.
2. In the state of Super Cool, if the temperature of the fridge compartment is adjusted, icon "E" (Super Cool function) flashes to indicate that this operation cannot be done.

Super Freeze function

1. Fresh food should be frozen as quickly as possible to the core. This can preserve the best nutritional value, appearance and taste. The Super Freeze function accelerates the freezing of fresh food and protects the food already stored from undesirable warming. If you need to freeze a large amount of food at once, it is recommended to set the Super Freeze function on ahead for 24h before the usage of frozen room.
2. Press button "K4" (Super Freeze function setting) or turn it on from the App, the icon "F" (Super Freezer function) is bright and the function is activated.

NOTICE

1. The appliance quits "Super Freeze function" after entering "Super Freeze function" for 50 hours or pressing button "K4" when the icon "F" (Super Freeze function) is bright or turn it off from the App.
2. In the state of Super Freeze, if the temperature of the freezer compartment is adjusted, icon "F" (Super Freezer function) flashes to indicate that this operation cannot be done.

Holiday function

The Holiday function can be used to reduce the energy consumption of the appliance, when it is not used regularly. When the function is on, the fridge is turned off, whereas the freezer will keep working normally. The function sets the fridge temperature permanently to 17°C.

This allows to keep the door of the empty refrigerator closed without causing an odour or mold-during a long absence (e.g. during holiday). The freezer compartment is free for your setting.

1. Press button "K5" (Holiday function on/off) or select the function from the App, the icon "G" (Holiday function) is bright and the function is activated.
2. The function can be deactivated by pressing button "K5" (Holiday function on/off) again or by setting the fridge temperature or by performing any other setting, or turning it off from the App.



NOTICE

1. During the Holiday function, no food should be stored in the fridge compartment. The temperature of 17°C is too high for storing food.
2. When Holiady function is on, My Zone icon keeps off and fridge function is locked. If the temperature of the fridge compartment is adjusted, icon "G" (Holiday function) flashes to indicate that this operation cannot be done.

Eco Mode function

The Eco Mode can be activated to optimize the performance of the appliance, whereas obtaining the best food storage. If you do not have any special requirements, we recommend that you use Eco Mode function.

This mode the fridge temperature is 5°C, the freezer temperature is -18°C.


1. Press button "K6" (Eco Mode function on/off) or select the function from the App.
2. Icon "H" (Eco Mode function) is bright and the function is activated.

By repeating the above steps or selecting another function or turning off from the App, this function can be switched off again. The previously set cooling levels are restored.

NOTICE

During the Eco Mode function, if the temperature of the fridge/freezer compartment are adjusted, icon "H" (Eco Mode function) flashes to indicate that this operation cannot be done.

Step 1 Download the hOn-App from the stores.




GET IT ON
Google Play


Download on the
App Store

EXPLORE IT ON
AppGallery

Step 2 Create your account in the hOn-App or log in if you already have an account.



Step 3 Follow pairing instructions in the hOn-App.



Wi-Fi function

1. Follow in App instructions to configure the Wi-Fi.
2. Once the Wi-Fi is configured and the connection established, the Wi-Fi icon "I" is bright and fixed.
3. If the Wi-Fi has already been configured, it will automatically reconnect according to the configuration information if turns on the Wi-Fi.

NOTICE

1. To turn off the Wi-Fi, press Wi-Fi button "K7" and the Wi-Fi icon "I" turns off.
2. To turn on the Wi-Fi and start the configuration, press Wi-Fi button "K7" and the Wi-Fi icon "I" starts flashing slowly. If want to configure Wi-Fi function, press the button "K7" for 3 sec. the Wi-Fi icon flashes quickly and enters the configuration mode. If want to turn off the Wi-Fi function, press button "K7" once. The above steps are repeated.
3. If the product has been configured and the Wi-Fi function was turn off, the refrigerator will not enter the configuration mode after reconnecting the power.

NOTICE

1. This product is not intended for commercial use.
2. The Max RF Output Power: 2.4 GHz Wi-Fi: 16dBm;
3. Bluetooth® Low Energy: 5dBm; Bluetooth® Wireless Technology (BR/EDR): 10dBm.
4. Frequency band of operation: 2400-2483.5 MHz.



The Bluetooth® word mark and logos are registered trademarks owned by Bluetooth SIG, Inc. and any use of such marks by Candy Hoover Group SRL is under license. Other trademarks and trade names are those of their respective owners.

Storing into the refrigerator compartment

- Keep your fridge temperature below 5°C.
- Hot food must be cooled to room temperature before storing in the appliance.
- Foods stored in the refrigerator should be washed and dried before storing.
- Food to be stored should be properly sealed to avoid odor or taste alterations.
- Do not store excessive quantities of food. Leave spaces between foods to allow cold air flowing around them, for a better and more homogeneous cooling.
- Foods eaten daily should be stored at the front of the shelf.
- Leave a gap between foods and the inner walls, allowing air flowing. In any way, don't store foods against the rear wall: foods could freeze against the rear wall. Avoid direct contact of food (especially oily or acidic food) with the inner liner, as oil/acid can erode the inner liner. Clean away oily/acid dirt whenever it is found.
- Frozen food can be gently defrozzed in the refrigerator compartment. This saves energy.
- The ageing process of fruit and vegetables such as courgettis, melons, papaya, bananas, pineapples, etc. can be accelerated in the refrigerator. Therefore, it is not recommended to store them in the refrigerator. However, the ripening of strongly green fruits can be promoted for a certain period. Onions, garlic, ginger and other root vegetables should also be stored at room temperature.
- Unpleasant odours inside the fridge are a sign that something has spilled and cleaning is required. See Care And Cleaning.
- Different foods should be placed in different areas according to their properties.

Storage into the freezer compartment

- Keep the freezer temperature at- 18°C.
- 24 hours before freezing, switch on the Super-Freeze function. For little quantities of food, 4-6 hours are sufficient.
- Hot food must be cooled to room temperature before storing in the freezer compartment.
- Food cut into small portions will freeze faster and be easier to defrost and cook. The recommended weight for each portion is less than 2.5 kg
- It is better to pack food before putting it into the freezer. The outside of the packaging must be dry to avoid bags sticking together. Packaging materials should be odour-free, airtight, non-poisonous and nontoxic.
- In order to avoid expiration of storage periods, please note the freezing date, time limit and name of the food on the packaging according to the storage periods of different foods.



WARNING!

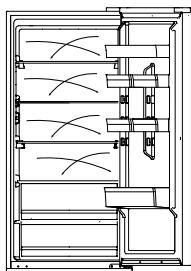
- ▶ Acid, alkali and salt etc. could erode the internal surface of the freezer.
- ▶ Do not place the food with these substances (e.g. sea fish) directly on the internal surface. Salt water in the freezer should be cleaned up immediately.
- ▶ Do not exceed the food storage time recommended by the manufacturers. Only take the required amount of food out of the freezer.
- ▶ Consume defrosted food quickly. Defrosted food cannot be re-frozen unless it is first cooked, otherwise it may be less edible.
- ▶ Do not load excessive quantities of fresh food in the freezer compartment. Refer to the freezing capacity of the freezer - See TECHNICAL DATA or data at the type plate.
- ▶ Food can be stored in the freezer at a temperature of at least -18°C for 2 to 12 months, depending on its properties (e.g. meat: 3-12 months, vegetables: 6-12 months)
- ▶ While freezing fresh food, avoid bringing them in contact with already frozen food. Risk of thawing!

When storing commercially frozen foods, please follow these guidelines:

- Always follow manufacturers' guidelines for the length of time you should store food for. Do not exceed these guidelines!
- Try to keep the length of time between purchase and storage as short as possible to preserve food quality.
- Buy frozen food, which have been stored at a temperature of -18°C or below.
- Avoid buying food which has ice or frost on the packaging - This indicates that the products might have been partially defrosted and refrozen at some point-temperature rising affects the quality of food.

i NOTICE

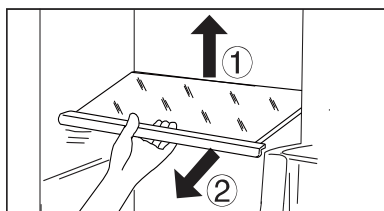
Due to different models, your product may not have all of the following features. Please refer to chapter Product Description.I.



Multi-air-flow

The refrigerator is equipped with a multi-air-flow system, with which cool air flows are located on every shelf level. This helps to maintain a uniform temperature to ensure that your food is kept fresher for longer.

Adjustable shelf



1. The height of the shelves can be adjusted to fit your storage needs.
2. To relocate a shelf, remove it first by uplifting its hind edge ① and pulling it out ②.
3. To reinstall it, put it on the lugs on both sides and push it to the most rearward position until the rear of the shelf is fixed inside the slots in the sides

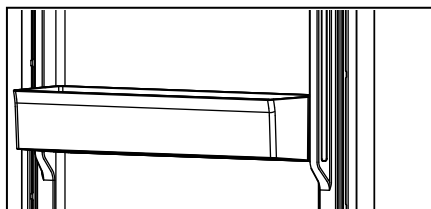
i NOTICE

Ensure that all ends of a shelf are level.

Removable door balcony

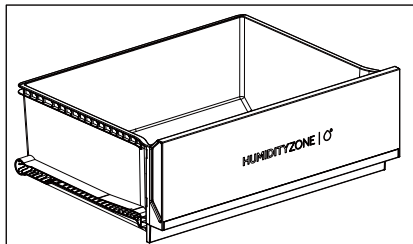
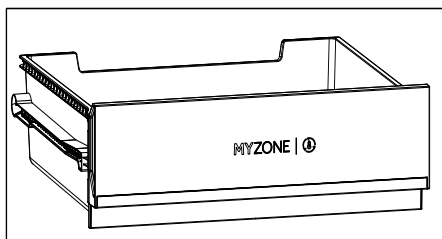
The door balcony can be removed for cleaning:

Place hands on each side of the balcony, lift it upwards (1) and pull it out (2). In order to insert the door balcony, the above steps are carried out in a reverse order.



My Zone drawer

For using and setting the My Zone compartment , please check section USE (My Zone)..



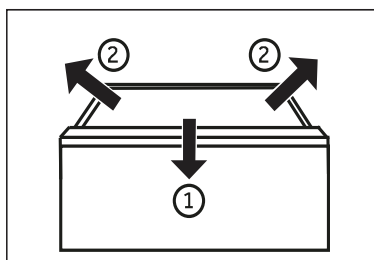
Humidity Zone drawer

In this compartment the humidity level is controlled automatically by the system and it is suitable to store fruits, vegetables, salads etc.

Removable drawer

To remove the drawer out of the fridge or freezer compartment, pull out to the maximum extent (1), lift and remove (2).

In order to insert the drawer, the above steps are carried out in a reverse order.



Freezer drawer

The freezer drawer can be extended straightly and completely. They are mounted on easy roll telescopic rail. So that you can store and remove the freezing good comfortably. Because of the automatic door closing mechanism, the handing is easy and you can save energy.



WARNING!

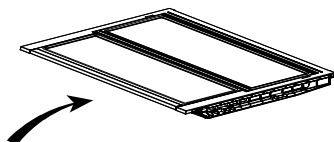
Do not overload the drawers: Maximum load of each drawer: 35kg!

The Light

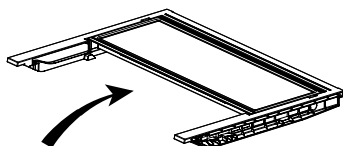
The LED interior light comes on when the door is open. The performance of the lights is not affected by any other appliances settings..

Foldable shelf

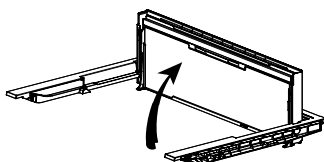
The foldable shelf will allow the user to put high bottles or items on the shelves. The shelf can be folded at the back and the available space of the lower shelf will be larger. The shelf can be folded following Step 1~3. If want to return to the original location, reverse the following procedures.



Step 1: Push the front of the shelf slowly to the end.



Step 2: Push the shelf upward slowly to its vertical location.



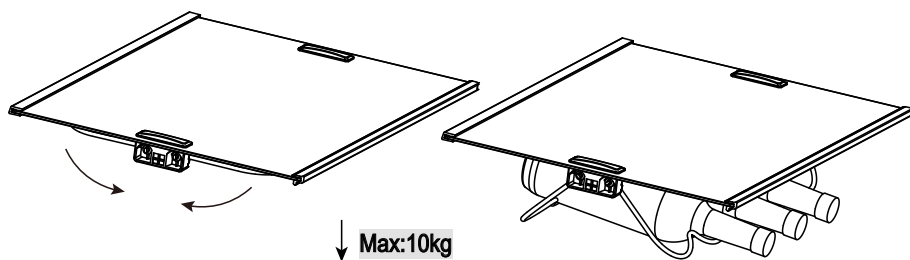
Step 3: The shelf is vertical. It will save space.

Foldable wine rack

For normal use

1. Pull down the brackets of the wine rack
2. Fit the bottles into the rack

When not use, the wine rack can be folded back in order to save space.





Energy saving tips

- ▶ Make sure the appliance is properly ventilated (see INSTALLATION).
- ▶ Do not install the appliance in direct sunlight or near the heat sources (eg. stoves, heaters).
- ▶ Avoid unnecessarily low temperature in the appliance. The energy consumption increases with the decreasing of the setting temperature in the appliance.
- ▶ Functions like SUPER FREEZE consume more energy.
- ▶ Allow warm food to cool down before placing it in the appliance.
- ▶ Open the appliance door as little and briefly as possible.
- ▶ Do not overfill the appliance to avoid obstructing the air flow.
- ▶ Avoid air within the food packaging.
- ▶ Keep door seals clean so that the door always closes correctly.
- ▶ Defroze frozen food in the fridge storage compartment or use the D-Frost function in the My Zone drawer.
- ▶ The most energy-saving configuration requires drawer, food box and shelves to be positioned in the appliance in a factory-fresh condition, and food to be placed without blocking the air outlet of the duct.



WARNING!

Cleaning

Clean the appliance when only little or no food is stored.

The appliance should be cleaned every four weeks for good maintenance and to prevent bad stored food odors.



WARNING!

- ▶ Do not clean the appliance with hard brushes, wire brushes, detergent powder, petrol, amyl acetate, acetone and similar organic solutions, acid or alkaline solutions. Please clean with special refrigerator detergent to avoid damage.
- ▶ Do not spray or flush the appliance during cleaning.
- ▶ Do not use water spray or steam to clean the appliance.
- ▶ Do not clean the cold glass shelves with hot water. Sudden temperature change may cause the glass to break.
- ▶ Do not touch the inside surface of the freezer storage compartment, especially with wet hands, as your hands may freeze onto the surface.
- ▶ In case of heating check the condition of frozen goods.



- ▶ Always keep the door gasket clean.
- ▶ Clean the inside and housing of the appliance with a sponge dampened in warm water and neutral detergent.
- ▶ 1. Please scrub the interior and exterior of the refrigerator, including door sealing, door rack, glass shelves, boxes and so on, with a soft towel or sponge dipped in warm water (you may add neutral detergent into the warm water).
- ▶ 2. If there is liquid spilled, remove all the contaminated parts, directly rinse with the flow water, dry and place it back into the fridge.
- ▶ 3. If there is spilled cream (such as the cream, melting ice cream), please remove all the contaminated parts, put into the warm water with about 40 °C for some time, then rinse with the flow water, dry and place it back into the fridge.
- ▶ 4. In case some small part or component gets stuck inside of the fridge (between shelves or drawers), use small soft brush to release it. If you could not reach the part, please contact Haier service
- ▶ Rinse and dry with soft cloth.
- ▶ Do not clean any of the parts of the appliance in a dishwasher.
- ▶ Allow at least 5 minutes before restarting the appliance as frequent starting may damage the compressor.

Defrosting

The defrosting of the refrigerator and the freezer compartment are done automatically; no manual operation is needed.



Replacing the LED-lamps



WARNING!

Do not replace the LED lamp yourself, it must only be replaced by either the manufacturer or the authorised service agent.

The lamps adopts LED as its light source, featuring low energy consumption and long service life. If there is any abnormality, please contact the customer service . See CUSTOMER SERVICE.

Parameters of the lamps:

Part	LED lamp
Voltage	12V
Max Power	1.5W
LED Spec	White-2835
LED efficiency class	G
Usage temperature	-40~80°C

Non-use for a longer period

If the appliance is not used for an extended period of time, and you will not use the Holiday-function for the refrigerator:

Take out the food.

Unplug the power cord.

Clean the appliance as described above.

Keep the doors open to prevent the creation of bad odours inside.



NOTICE

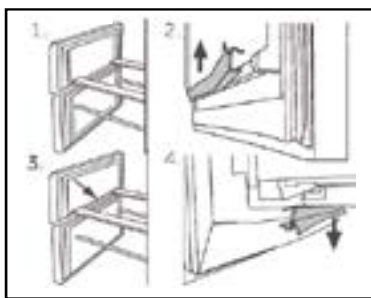
Turn the appliance off only if strictly necessary.

Removable auxiliary door gaskets

There are six auxiliary door gaskets on the upper and lower freezer drawers.

1. Locate the five indicated door gaskets on the upper and lower freezer drawers.
2. Make sure the bent slices of the gaskets point inwards while attaching.
3. Locate the lower gasket of the upper drawer as indicated.
4. Make sure the bent slice of this gasket points downwards while attaching.

You get these gaskets as well as the revolving door/drawer gaskets via the customer service (see warranty card).



Moving the appliance

1. Remove all food and unplug the appliance.
2. Secure shelves and other moveable parts in the fridge and the freezer with adhesive tape.
3. Do not tilt the refrigerator more than 45° to avoid damaging the refrigeration system.



WARNING!

- ▶ Do not lift the appliance by its handles.
- ▶ Never place the appliance horizontally on the ground.



Many occurring problems could be solved by yourself without specific expertise. In case of a problem please check all shown possibilities and follow below instructions before you contact an after sales service. See CUSTOMER SERVICE.



WARNING!

- ▶ Before maintenance, deactivate the appliance and disconnect the mains plug from the mains socket.
- ▶ Electrical equipment should be serviced only by qualified electrical experts, because improper repairs can cause considerable consequential damages.
- ▶ A damaged supply should only be replaced by the manufacturer, its service agent or similarly qualified persons in order to avoid a hazard.

Troubleshooting table

Problem	Possible Cause	Possible Solution
The compressor does not work.	Mains plug is not connected in the main socket.	Connect the main plug.
	The appliance is in the defrosting cycle.	This is normal for an automatic defrosting.
The appliance runs frequently or runs for a too long period of time.	The indoor or outdoor temperature is too high.	In this case, it is normal for the appliance to run longer.
	The appliance has been off power for a period of time.	Normally, it takes 8 to 12 hours for the appliance to cool down completely.
	A door/drawer of the appliance is not tightly closed.	Close the door/drawer and ensure the appliance is located on a levelled ground and there is no food or container holding the door.
	The door/drawer has been opened too frequently or for too long.	Do not open the door/drawer too frequently.
	The temperature setting for the freezer compartment is too low.	Set the temperature higher until a satisfactory fridge temperature is obtained. It takes 24 hours for the fridge temperature to become stable.
	The door/drawer gasket is dirty, worn, cracked or mismatched.	Clean the door/drawer gasket or replace them through the customer service.
	The required air circulation is not guaranteed.	Ensure adequate ventilation.



Problem	Possible Cause	Possible Solution
The inside of the refrigerator is dirty and/or with smell.	The inside of the refrigerator needs cleaning.	Clean the inside of the refrigerator.
	Food with strong odour is stored in the refrigerator.	Wrap the food thoroughly.
It is not cold enough inside the appliance.	The temperature is set too high.	Reset the temperature
	Too warm food have been stored.	Always cool down food before storing them.
	Too much food has been stored at one time.	Always store small quantities of food.
	The foods are too close to each other.	Leave a gap between several foods allowing air flowing.
	A door/drawer of the appliance is not tightly closed.	Close the door/drawer.
	The door/drawer has been opened too frequently or for too long.	Do not open the door/drawer too frequently.
It is too cold inside the appliance.	The temperature is set too low.	Reset the temperature.
	The Super Freeze function is activated or is running too long.	Switch off the Super Freeze function.
Moisture forming on the inside of the refrigerator compartment.	The climate is too warm and too damp.	Increase the temperature.
	A door/drawer of the appliance is not tightly closed.	Close the door/drawer.
	The door/drawer has been opened too frequently or for too long.	Do not open the door/drawer too frequently.
	Food containers or liquids are left open.	Let hot foods cool to room temperature and cover foods and liquids.
Moisture accumulates on the refrigerators outside surface or between the doors/door and drawer.	The climate is too warm and too damp.	This is normal in damp climate and will change when the humidity decreases.
	The door/drawer is not closed tightly.	Ensure that he door/drawer is tightly shut.



Problem	Possible Cause	Possible Solution
Strong ice and frost in the freezer compartment.	The foods were not adequately packaged.	Always pack the foods well.
	closed.	
	The door/drawer has been opened too frequently or for too long.	Do not open the door/drawer too frequently.
	The door/drawer gasket is dirty, worn, cracked or mismatched.	Clean the door/drawer gasket or replace them by new ones.
	Something on the inside prevents the door/drawer to close properly.	Reposition the shelves, door racks, or internal containers to allow the door/drawer to close.
The appliance makes abnormal sounds.	The appliance is not located on levelled ground.	Adjust the feet to level the appliance.
	The appliance touches some object around it.	Remove objects around the appliance.
A slight sound is to be heard similar to that of flowing water.	This is normal.	/
You will hear an alarm beep.	The fridge storage compartment door is open.	Close the door or silence the alarm manually.
You will hear a faint hum.	The anti-condensation system is working.	This prevents condensation and is normal.
The interior lighting or cooling system does not work.	Main plug is not connected in the main socket	Connect the main plug.
	The power supply is not intact.	Check the electrical supply to the room. Call the local electricity company!
	The LED-lamp is out of order.	Please call the service for changing the lamp.
The sides of the cabinet and door strip get warm.	This is normal.	/
No water is coming out of the water dispenser spout	Lock is not deactivated.	Deactivate the lock



Power interruption

- ▶ In the event of a power cut, food should remain safely cold for about 13 hours. Follow these tips during a prolonged power interruption, especially in summer.
- ▶ Do not put additional food into the appliance during a power interruption.
- ▶ If prior notice of a power interruption is given and the interruption duration is longer than 13 hours, make some ice cubes and put them in a container on the top shelf of the refrigerator compartment.
- ▶ An inspection of the foods is required immediately after the interruption.
- ▶ As temperature in the refrigerator will rise during a power interruption or other failure, the storage period and edible quality of food will be reduced. Any food that defrosts should be either consumed, or cooked and refrozen (where suitable) soon afterwards in order to prevent health risks.



NOTICE

Memory function during power interruption

After the recovery of power, the appliance continues with the settings that were set before the power failure.

To contact the technical assistance, visit our website: <https://corporate.haier-europe.com/en/>

Under the section "website", choose the brand of your product and your country. You will be redirected to the specific website where you can find the telephone number and other ways to contact the technical assistance.

Unpacking



WARNING!

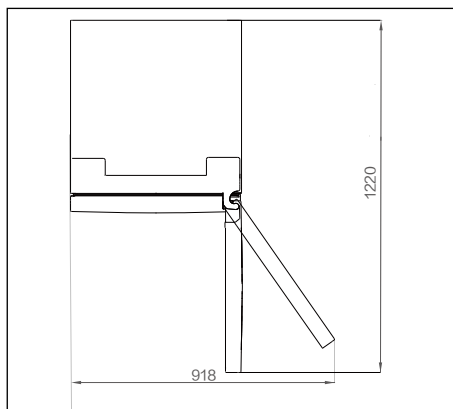
- ▶ The appliance is heavy. Always handle with at least two persons.
- ▶ Keep all packaging materials out of children's reach and dispose them in an environmentally friendly manner.
- ▶ Take the appliance out of the packaging.
- ▶ Remove all packaging materials.

Environmental conditions

The room temperature should always be between 10° C and 43° C, since it can influence the temperature inside the appliance and its energy consumption. Do not install the appliance near other heat-emitting appliances (ovens, refrigerators) without isolation.

Space recommendation

Recommended space when door is opened.



Aigning the appliance

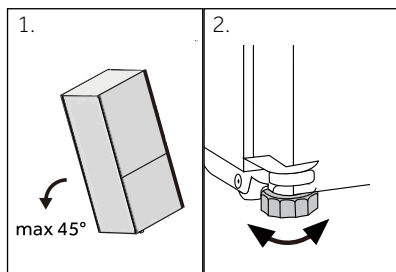
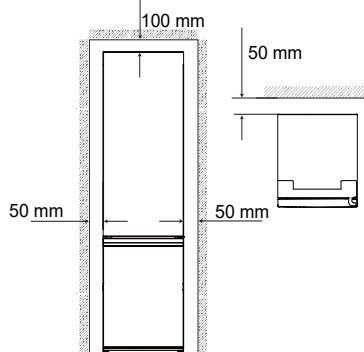
The appliance should be placed on a flat and solid surface.

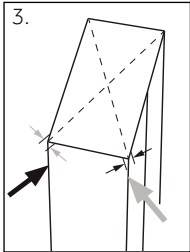
1. Tilt the refrigerator slightly backwards.
2. Set the feet to the desired level.

Make sure the distance to the wall on the hinge side is at least 100 mm for the door to open properly.

Ventilaton cross-section

To achieve sufficient ventilation of the appliance for safety reasons we recommend observing the space recommendation guidelines.

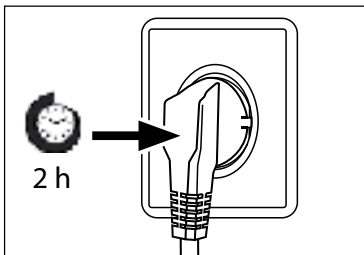




1. The stability can be checked by alternately bumping on the diagonals. The slightly swaying should be the same in both directions. Otherwise the frame can warp; possible leaking door seals are the result. A low tendency to the rear facilitates the closing of the doors.

NOTICE

For a free standing appliance: this refrigerating appliance is not intended to be used as a built-in appliance



Waiting time

To the maintenance-free lubrication oil is located in the capsule of the compressor. This oil can get through the closed pipe system during slanting transport. Before connecting the appliance to the power supply you have to wait at least 2 hours so that the oil runs back into the capsule.

Electrical connection

Before each connection check if:

- ▶ power supply, socket and fusing are appropriate to the rating plate.
- ▶ the power socket is earthed and no multi-plug or extension.
- ▶ the power plug and socket are strictly according.

Connect the plug to a properly installed household socket.

WARNING!

To avoid risks a damaged power cord must be replaced by the customer service (see warranty card).



Door Reversibility

Before connecting the appliance to the power supply, you should check whether the door swing must be changed from right (as delivered) to left, if this is required by the installation location and the usability.



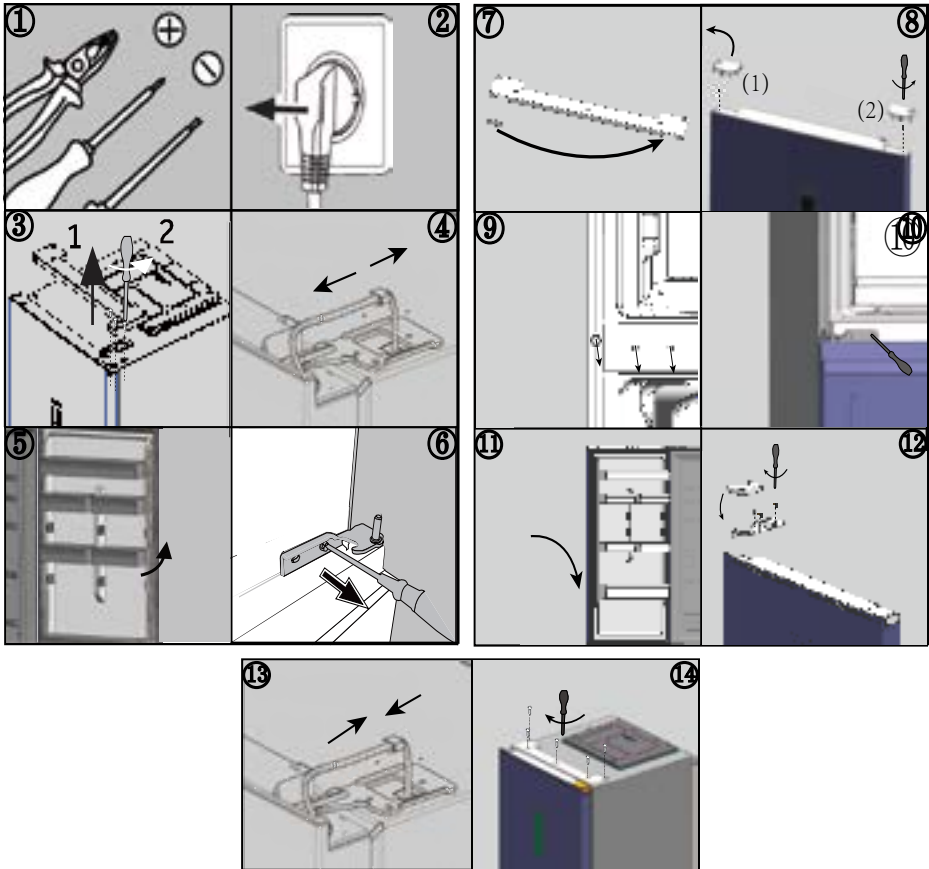
WARNING!

- ▶ The appliance is heavy. You need two persons to carry out the door reversibility.
- ▶ Before any operation, first unplug the appliance from the mains
- ▶ Do not tilt the appliance more than 45°C to prevent damage of the refrigeration system.

Assembly steps

1. Provide necessary tool.
2. Unplug the appliance.
3. Remove the upper hinge cover 1 and unscrew the upper hinge (three screws) on right side 2.
4. Unplug the connection cable
5. Lift the loose refrigerator door carefully off the middle hinge.
6. Remove the middle hinge.
7. Remove the small cover of the front panel from left to right side.
8. Turn the door upside down and unscrew the cover (1). Take out the new cover (2) from the necessary bag and screw them to opposite side.
9. Change the positions of the blanking plugs and the screw on the side.
10. Screw the middle hinge to the left side of the appliance. Pay attention to inverting the pivot of the middle hinge, ensuring that the side with the gasket is facing upwards
11. Lift the upper door carefully on the middle hinge. And be sure the pivot fits into the hinge barrel of the lower door.
12. Take out the new upper hinge and hinge cover from the accessory bag. Put the connection cable through the upper hinge and fix the upper hinge with three screws on left side of appliance. And the put the hinge cover over the hinge.
13. Plug in the connection cable.
14. Replace front panel and fix it with five screws.

After the change of the door, check if the door seals are located properly on the housing and all screws are tightened well.



Ambient temperatures

Extended temperate: this refrigerating appliance is intended to be used at ambient temperatures ranging from 10°C to 32°C

Temperate: this refrigerating appliance is intended to be used at ambient temperatures ranging from 16°C to 32°C;

Subtropical: this refrigerating appliance is intended to be used at ambient temperatures ranging from 16°C to 38°C;

Tropical: "this refrigerating appliance is intended to be used at ambient temperatures ranging from 16°C to 43°C.



Product parameters according to regulation (EU)2019/2016

Based on standard test results for 24 hours. Actual energy consumption will depend on how the appliance is used and where it is located

Model	HTW5618DN*	HTW5620DN*	HTW5618EN*
Type of refrigerating appliance	Refrigerator-freezer	Refrigerator-freezer	Refrigerator-freezer
Energy efficiency class	D	D	E
Annual energy consumption (kWh/annum)	217	226	271
Volume Refrigerator compartment(L)	201	255	201
Volume Freezer compartment(L)	125	125	125
Volume Chill compartment(L)	34	34	34
Freezing Class	4-star	4-star	4-star
Defrosting type	Auto-defrost	Auto-defrost	Auto-defrost
Temperature rise time(h)	13	13	11
Freezing capacity(kg/24h)	10.0	10.0	10.0
Climate class	SN.N.ST.T	SN.N.ST.T	SN.N.ST.T
Noise emission class and airborne acoustical noise emissions (dB(A) re 1 pW)	B(35)	B(35)	B(35)



Model	HTW5618CN*	HTW5620CN*	HTW5620EN*
Type of refrigerating appliance	Refrigerator-freezer	Refrigerator-freezer	Refrigerator-freezer
Energy efficiency class	C	C	E
Annual energy consumption (kWh/annum)	173	181	283
Volume Refrigerator compartment(L)	201	255	255
Volume Freezer compartment(L)	125	125	125
Volume Chill compartment(L)	34	34	34
Freezing Class	4-star	4-star	4-star
Defrosting type	Auto-defrost	Auto-defrost	Auto-defrost
Temperature rise time(h)	13	13	11
Freezing capacity(kg/24h)	10.0	10.0	10.0
Climate class	SN.N.ST.T	SN.N.ST.T	SN.N.ST.T
Noise emission class and airborne acoustical noise emissions (dB(A) re 1 pW)	B(35)	B(35)	B(35)



Model	HDPW5618DN*	HDPW5620DN*	HDPW3620DN*
Type of refrigerating appliance	Refrigerator-freezer	Refrigerator-freezer	Refrigerator-freezer
Energy efficiency class	D	D	D
Annual energy consumption (kWh/annum)	214	220	220
Volume Refrigerator compartment(L)	201	255	255
Volume Freezer compartment(L)	117	117	117
Volume Chill compartment(L)	34	34	34
Freezing Class	4-star	4-star	4-star
Defrosting type	Auto-defrost	Auto-defrost	Auto-defrost
Temperature rise time(h)	13	13	13
Freezing capacity(kg/24h)	10.0	10.0	10.0
Climate class	SN.N.ST.T	SN.N.ST.T	SN.N.ST.T
Noise emission class and airborne acoustical noise emissions (dB(A) re 1 pW)	B(35)	B(35)	B(35)



Model	HDPW3618DN*	HDPW3620CN*	HTW3620DN*
Type of refrigerating appliance	Refrigerator-freezer	Refrigerator-freezer	Refrigerator-freezer
Energy efficiency class	D	C	D
Annual energy consumption (kWh/annum)	214	176	226
Volume Refrigerator compartment(L)	201	255	255
Volume Freezer compartment(L)	117	117	125
Volume Chill compartment(L)	34	34	34
Freezing Class	4-star	4-star	4-star
Defrosting type	Auto-defrost	Auto-defrost	Auto-defrost
Temperature rise time(h)	13	13	13
Freezing capacity(kg/24h)	10.0	10.0	10.0
Climate class	SN.N.ST.T	SN.N.ST.T	SN.N.ST.T
Noise emission class and airborne acoustical noise emissions (dB(A) re 1 pW)	B(35)	B(35)	B(35)



Model	HDPW5618CN*	HDPW5620CN*	HDPW5620AN*
Type of refrigerating appliance	Refrigerator-freezer	Refrigerator-freezer	Refrigerator-freezer
Energy efficiency class	C	C	A
Annual energy consumption (kWh/annum)	171	176	114
Volume Refrigerator compartment(L)	201	255	255
Volume Freezer compartment(L)	117	117	120
Volume Chill compartment(L)	34	34	34
Freezing Class	4-star	4-star	4-star
Defrosting type	Auto-defrost	Auto-defrost	Auto-defrost
Temperature rise time(h)	13	13	16
Freezing capacity(kg/24h)	10.0	10.0	10.0
Climate class	SN.N.ST.T	SN.N.ST.T	SN.N.ST.T
Noise emission class and airborne acoustical noise emissions (dB(A) re 1 pW)	B(35)	B(35)	B(35)

Additional technical data

Model	HTW5618DN*	HTW5618EN*	HTW5620DN*
Total volume(L)	360	360	414
Voltage/Frequency	220~240V/50Hz	220~240V/50Hz	220~240V/50Hz
input current(A)	1.4	1.4	1.4
Main fuse(A)	16	16	16
Refrigerant	R600a(53g)	R600a(53g)	R600a(53g)
Dimensions (W/D/H in mm)	595*667*1850	595*667*1850	595*667*2050

Model	HTW5618CN*	HTW5620CN*	HTW5620EN*
Total volume(L)	360	414	414
Voltage/Frequency	220~240V/50Hz	220~240V/50Hz	220~240V/50Hz
input current(A)	1.4	1.4	1.4
Main fuse(A)	15	15	16
Refrigerant	R600a(50g)	R600a(50g)	R600a(53g)
Dimensions (W/D/H in mm)	595*667*1850	595*667*2050	595*667*2050



Model	HDPW5618DN*	HDPW5620DN*	HDPW3620DN*
Total volume(L)	352	406	406
Voltage/ Frequency	220~240V/50Hz	220~240V/50Hz	220~240V/50Hz
input current(A)	1.4	1.4	1.4
Main fuse(A)	16	16	16
Refrigerant	R600a(53g)	R600a(53g)	R600a(53g)
Dimensions (W/D/H in mm)	595*667*1850	595*667*2050	595*667*2050

Model	HDPW5618CN*	HDPW5620CN*	HDPW5620AN*
Total volume(L)	352	406	409
Voltage/ Frequency	220~240V/50Hz	220~240V/50Hz	220~240V/50Hz
input current(A)	1.4	1.4	1.4
Main fuse(A)	15	15	15
Refrigerant	R600a(50g)	R600a(50g)	R600a(50g)
Dimensions (W/D/H in mm)	595*667*1850	595*667*2050	595*667*2050



Model	HDPW5618CN*	HDPW5620CN*	HDPW5620AN*
Total volume(L)	352	406	409
Voltage/ Frequency	220~240V/50Hz	220~240V/50Hz	220~240V/50Hz
input current(A)	1.4	1.4	1.4
Main fuse(A)	15	15	16
Refrigerant	R600a(50g)	R600a(50g)	R600a(50g)
Dimensions (W/D/H in mm)	595*667*1850	595*667*2050	595*667*2050



We recommend our Haier Customer Service and the use of original spare parts. If you have a problem with your appliance, please first check section TROUBLE-SHOOTING.

If you cannot find a solution there, please contact

- ▶ your local dealer or
- ▶ our European Call Service-Center (see listed phone numbers below) or
- ▶ the Service & Support area at www.haier.com where you can activate the service claim and also find FAQs.

To contact our Service, ensure that you have the following data available. The information can be found on the rating plate.

Model _____

Serial No. _____

Also check the Warranty Card supplied with the product in case of warranty.

European Call Service-Center		
Country*	Phone number	Costs
Haier Italy (IT)	199 100 912	
Haier Spain (ES)	902 509 123	
Haier Germany (DE)	0180 5 39 39 99	<ul style="list-style-type: none"> • 14 Ct/Min Landline • max 42 Ct/Min Mobile
Haier Austria (AT)	0820 001 205	<ul style="list-style-type: none"> • 14,53 Ct/Min Landline • max 20 Ct/Min all others
Haier United Kingdom (UK)	0333 003 8122	
Haier France (FR)	0980 406 409	



* For other countries please refer to www.haier.com

Haier Europe Trading S.r.l

Branch UK

Westgate House, Westgate, Ealing

London, W5 1YY

*Duration of the guarantee of the refrigerating appliance:

Minimum guarantee is: 2 years for EU Countries, 3 years for Turkey, 1 year for UK, 1 year for Russia, 3 years for Sweden, 2 years for Serbia, 5 years for Norway, 1 year for Morocco, 6 months for Algeria, Tunisia no legal warranty required.

*The period of spare parts for the repair of the appliance:

Thermostats, temperature sensors, printed circuit boards and light sources are available for a minimum period of seven years after placing the last unit of the model on the market.

Door handles, door hinges, trays and baskets for a minimum period of seven years and door gaskets for a minimum period of 10 year, after placing the last unit of the model on the market.

*For further information about the product, please consult <https://eprel.ec.europa.eu/> or scan the QR on the energy label supplied with the appliance.



Haier

2023 Version A



0060534356

<u>51 Bezpečnostní informace</u>	•	Před prvním použitím	52
		Instalace	52
		Každodenní používání	53
<u>56 Určené použití</u>	•		
<u>57 Popis výrobku</u>	•		
<u>61 Ovládací panel</u>	•		
<u>62 Používání</u>	•	Nastavení teploty v chladničce	63
		Nastavení teploty v mrazničce	63
		Nastavení teploty v My Zone	63
		Funkce Super Cool	64
		Funkce Super Freeze	65
<u>70 Vybavení</u>	•		
<u>74 Tipy pro úsporu energie</u>	•		
<u>75 Čištění a údržba</u>	•		
<u>78 Řešení problémů</u>	•		
<u>82 Instalace</u>	•		
<u>86 Technické údaje</u>	•		
<u>92 Zákaznický servis</u>	•		



Kliknutím na obsah zobrazte
podrobné informace.



Děkujeme vám, že jste si koupili výrobek značky Haier.

Před použitím spotřebiče si pozorně přečtěte tyto pokyny. Obsahují důležité informace, které vám pomohou co nejlépe využít spotřebič a zajistit jeho bezpečnou a správnou instalaci, používání a údržbu.

Uschovejte tuto příručku na praktickém místě, abyste do ní mohli kdykoli nahlédnout ohledně bezpečného a správného používání spotřebiče.

Pokud spotřebič prodáváte, věnujete nebo necháváte ve starém domě, předejte společně s ním také tuto příručku, aby se mohl nový vlastník seznámit se spotřebičem a přečíst si bezpečnostní varování.

Příslušenství

Zkontrolujte příslušenství a literaturu podle tohoto seznamu:



**VAROVÁNÍ – Důležité bezpečnostní informace****UPOZORNĚNÍ – Všeobecné informace a tipy****Informace týkající se životního prostředí****Likvidace**

Pomáhejte chránit životní prostředí a lidské zdraví. Vložte obalový materiál do vhodných kontejnerů pro recyklaci. Pomáhejte recyklovat odpadní elektrické a elektronické spotřebiče. Spotřebiče označené tímto symbolem nevyhazujte do domovního odpadu. Zašlete výrobek do místního recyklačního závodu, nebo se obraťte na váš obecní úřad.

**VAROVÁNÍ!**

Nebezpečí poranění nebo udušení!

Chladiva a plyny vyžadují profesionální likvidaci. Zajistěte, aby se potrubí chladicího okruhu nepoškodilo, než bude náležitě zlikvidováno. Odpojte spotřebič od síťového napájení. Odstříhnete síťový kabel a zlikvidujte ho. Odstraňte police a přihrádky, stejně jako západku a těsnění dvířek, aby nedošlo k uzavření dětí a domácích zvířat uvnitř spotřebiče.



Před prvním zapnutím spotřebiče si přečtěte následující rady týkající se bezpečnosti!



VAROVÁNÍ!

Před prvním použitím

- ▶ Ujistěte se, že při přepravě nedošlo k žádnému poškození.
- ▶ Odstraňte veškerý obalový materiál a uschovejte ho mimo dosah dětí.
- ▶ Před instalací spotřebiče počkejte alespoň dvě hodiny, aby byla zaručena plná účinnost okruhu chladiwa.
- ▶ Se spotřebičem vždy manipulujte alespoň ve dvou osobách, protože je těžký.

Instalace

- ▶ Spotřebič by se měl umístit do dobře větrané místnosti. Nad spotřebičem a kolem něj zajistěte volný prostor alespoň 10 cm.
- ▶ Nikdy neumísťujte spotřebič do vlhkého prostoru nebo na místo, kde by na něj mohla stříkat voda. Vodu a skvrny odstraňte a vysušte měkkou, čistou látkou.
- ▶ Neinstalujte spotřebič na přímé sluneční světlo nebo do blízkosti zdrojů tepla (např. sporáků nebo ohříváčů).
- ▶ Nainstalujte spotřebič na místo odpovídající jeho velikost a používání a vyrovnejte ho.
- ▶ Zajistěte, aby nic nezakrývalo větrací otvory ve spotřebiči nebo v konstrukci pro vestavění.
- ▶ Ujistěte se, že parametry elektrického napájení se shodují s údaji na výrobním štítku. V opačném případě kontaktujte elektrikáře.
- ▶ Spotřebič pracuje s napájením 220–240 VAC/50 Hz. Nenormální kolísání napětí může způsobit, že spotřebič se nespustí, nebo se poškodí regulátor teploty či kompresor, případně se může za chodu ozývat neobvyklý hluk. V takovém případě by se měl nainstalovat automatický regulátor.
- ▶ Nepoužívejte rozbočovací adaptéry ani prodlužovací kabely.
- ▶ Neumísťujte za spotřebič přenosné rozbočovací zásuvky ani prodlužovací kabely.
- ▶ Ujistěte se, že napájecí kabel není zachycen chladničkou. Nešlapejte na napájecí kabel.



VAROVÁNÍ!

- ▶ K napájení použijte samostatnou, snadno přístupnou uzemněnou zásuvku. Tento spotřebič musí být uzemněný.
Pouze pro Spojené království: Napájecí kabel spotřebiče je vybaven trojpolovou zástrčkou (s uzemněním), která se zapojuje do standardní trojpolové zásuvky (s uzemněním). Nikdy neodřezávejte ani nedemontujte třetí kolík (uzemnění). Zástrčka by měla být přístupná i po instalaci spotřebiče.
- ▶ Nepoškodte okruh chladiva.

Každodenní používání

- ▶ Tento spotřebič mohou používat děti starší osmi let a osoby s omezenými fyzickými, smyslovými nebo duševními schopnostmi nebo osoby nezkušené a neznalé za předpokladu, že mají zajištěný dohled nebo byly poučeny o bezpečném používání spotřebiče a chápou související rizika.
- ▶ Děti ve věku od 3 do 8 let mohou spotřebič plnit a vyprazdňovat, ale nesmějí jej čistit ani instalovat.
- ▶ Zabráňte dětem mladším 3 let v přístupu ke spotřebiči, pokud nejsou pod nepřetržitým dozorem.
- ▶ Děti si se spotřebičem nesmějí hrát.
- ▶ Jestliže v blízkosti spotřebiče uniká chladný plyn nebo jiný hořlavý plyn, vypněte ventil unikajícího plynu, otevřete dveře a okna a neodpojujte zástrčku napájecího kabelu chladničky nebo jakéhokoli jiného spotřebiče od zásuvky.
- ▶ Upozorňujeme, že spotřebič je nastaven na provoz při určitém rozsahu teplot mezi 10 a 43 °C. Spotřebič nemusí řádně fungovat, pokud je po dlouhou dobu vystaven teplotám nad nebo pod indikovaným rozsahem.
- ▶ Nepokládejte na horní stranu chladničky nestabilní předměty (těžké předměty, nádoby naplněné vodou), aby se předešlo zranění způsobenému pádem nebo elektrickým proudem v důsledku styku s vodou.
- ▶ Netahejte za police ve dvířkách. Dvířka by se mohla vychýlit, mohla by se vytáhnout police na láhve nebo by se spotřebič mohl převrhnout.
- ▶ Otvírejte a zavírejte dvířka pouze pomocí madel. Mezera mezi dvířky a mezi dvířky a skříní je velmi úzká. Nedávejte do těchto míst ruce, abyste si nepřiskřípli prsty. Dvířka chladničky otvírejte nebo zavírejte pouze v případě, že v dosahu jejich pohybu nestojí žádné děti.



VAROVÁNÍ!

- ▶ Ve spotřebiči nebo v jeho blízkosti neskladujte ani nepoužívejte hořlavé, výbušné nebo korozivní látky.
- ▶ Ve spotřebiči neskladujte léky, bakterie ani chemické látky. Tento spotřebič je určen k použití v domácnosti. Nedoporučuje se skladovat materiály, které vyžadují přesně stanovené teploty.
- ▶ Do mrazničky nikdy neukládejte tekutiny v láhvích nebo plechovkách (kromě vysokoprocenních lihovin), a zejména nápoje syčené oxidem uhličitým, protože by během mrazení praskly.
- ▶ Pokud se v mrazničce zvýší teplota, zkontrolujte stav potravin.
- ▶ Nenastavujte zbytečně nízkou teplotu ve vnitřním prostoru chladničky. Při vysokém nastavení může teplota klesnout do záporných hodnot. Pozor: Láhve mohou prasknout
- ▶ Nedotýkejte se mražených potravin mokřýma rukama (noste rukavice). Zejména nejezte nanuky bezprostředně po vyjmutí z prostoru mrazničky. Hrozí nebezpečí přimrznutí nebo vzniku omrzlin. PRVNÍ POMOC: ihned umístěte zasažené místo pod tekoucí studenou vodu. Neodtrhujte!
- ▶ Za provozu se nedotýkejte vnitřního povrchu úložného prostoru mrazničky, zejména ne mokřýma rukama, protože by mohly přimrznout k povrchu.
- ▶ V případě výpadku napájení nebo před čištěním odpojte spotřebič od napájení. Před opětovným spuštěním spotřebiče počkejte alespoň 7 minut, protože časté spuštění by mohlo poškodit kompresor.
- ▶ Uvnitř prostoru pro skladování potravin ve spotřebiči nepoužívejte elektrická zařízení, pokud se nejedná o zařízení doporučené výrobcem. Údržba/čištění
- ▶ Jestliže jsou čištění a údržba prováděny dětmi, je nutné na ně dohlížet.
- ▶ Před zahájením jakékoli pravidelné údržby odpojte spotřebič od elektrického napájení. Před opětovným spuštěním spotřebiče počkejte alespoň 5 minut, protože časté spuštění by mohlo poškodit kompresor.



VAROVÁNÍ!

- ▶ Při odpojování spotřebiče od napájení držte zástrčku, nikoli kabel.
- ▶ Nečistěte spotřebič tvrdými kartáči, drátěnými kartáči, práškovými čisticími prostředky, benzínem, amylacetátem, acetonem a podobnými organickými roztoky a kyselými nebo zásaditými roztoky. K čištění použijte speciální čisticí prostředek na chladničky, aby se zamezilo poškození.
- ▶ Neseškrabávejte námrazu a led ostrými předměty. Nepoužívejte spreje, elektrické ohřívače jako fén na vlasy, parní čističe ani jiné zdroje tepla, aby nedošlo k poškození plastových součástí.
- ▶ K rozmrazování nepoužívejte mechanické nástroje ani jiné prostředky. Používejte pouze prostředky doporučené výrobcem.
- ▶ Pokud se poškodí napájecí kabel, výměnu musí provést výrobce, jeho servisní zástupce nebo osoba s podobnou kvalifikací, aby se vyloučilo riziko.
- ▶ Nepokoušejte se opravovat, rozebírat nebo upravovat spotřebič vlastními silami. Je-li nutná oprava, obraťte se na náš zákaznický servis.
- ▶ Alespoň jednou za rok odstraňte prach ze zadní strany spotřebiče, aby se předešlo nebezpečí požáru a nezvyšovala se spotřeba energie.
- ▶ Během čištění na spotřebič nestříkejte ani jej neoplachujte.
- ▶ K čištění spotřebiče nepoužívejte vodní postřik ani proud vody.
- ▶ Nečistěte chladné skleněné police horkou vodou. Náhlá změna teploty by mohla způsobit, že sklo praskne.

Informace o plynném chladivu



VAROVÁNÍ!

Spotřebič obsahuje hořlavé chladivo ISOBUTAN (R600a). Ujistěte se, že během přepravy nebo instalace nedošlo k poškození okruhu chladiva. Unikající chladivo by mohlo způsobit zranění očí, nebo by se mohlo vznítit. Pokud dojde k poškození, nepřibližujte se s otevřeným plamenem, důkladně vyvětrejte místnost a nezapojujte ani neodpojujte napájecí kabely tohoto či jiných spotřebičů. Informujte zákaznický servis.

V případě zasažení očí chladivem důkladně vypláchněte oči pod tekoucí vodou a ihned zavolejte očnímu lékaři.



Určené použití

Tento spotřebič je určen k chlazení a mrazení potravin. Je určen výhradně k používání v domácnostech a podobných oblastech, jako jsou kuchyňky pro personál v obchodech, kancelářích a na dalších pracovištích, chalupy a hotely, motely a další obytné objekty, kde je používají zákazníci, stejně jako ubytovací zařízení typu penzionu se snídaní a cateringové služby. Není určen k používání v komerčním nebo průmyslovém prostředí. Na spotřebiči neprovádějte žádné změny nebo úpravy. Používání k jinému než určenému účelu může představovat nebezpečí a vést ke ztrátě platnosti záruky.

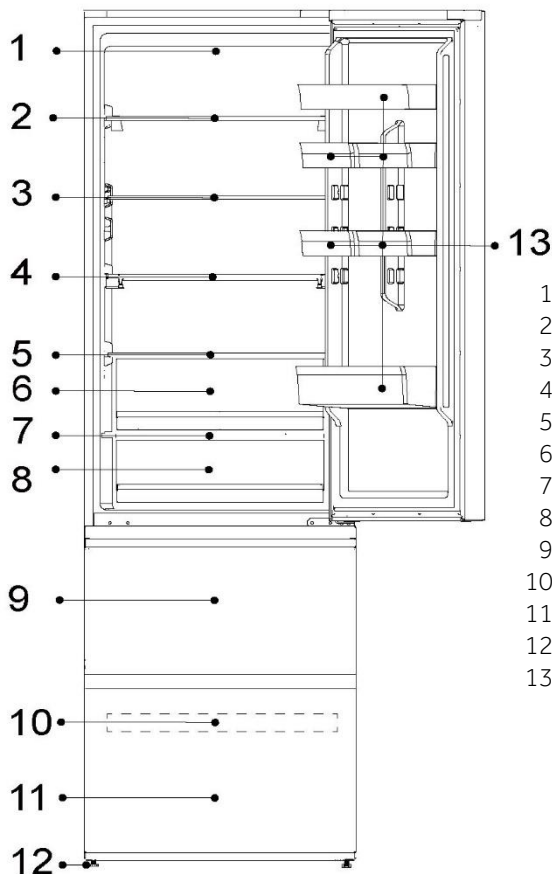
Normy a směrnice

Tento výrobek splňuje požadavky všech platných směrnic ES s odpovídajícími harmonizovanými normami, které stanoví používání označení CE.

i UPOZORNĚNÍ

Vzhledem k technickým změnám a různým modelům nemusí některé obrázky v této příručce přesně zobrazovat model.

(HTW5620EN*, HTW5620DN*, HTW5620CN*)

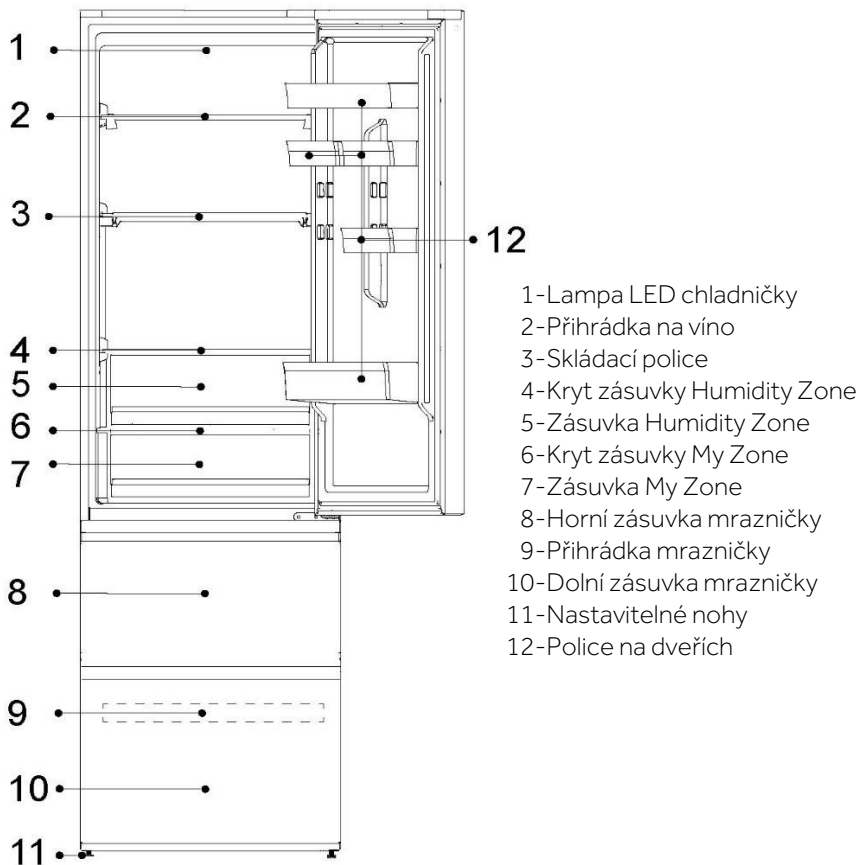


- 1-Lampa LED chladničky
- 2-Přihrádka na víno
- 3-Skleněná police
- 4-Skládací police
- 5-Kryt zásuvky Humidity Zone
- 6-Zásuvka Humidity Zone
- 7-Kryt zásuvky My Zone
- 8-Zásuvka My Zone
- 9-Horní zásuvka mrazničky
- 10-Přihrádka mrazničky
- 11-Dolní zásuvka mrazničky
- 12-Nastavitelné nohy
- 13-Police na dveřích

i UPOZORNĚNÍ

Vzhledem k technickým změnám a různým modelům nemusí některé obrázky v této příručce přesně zobrazovat model.

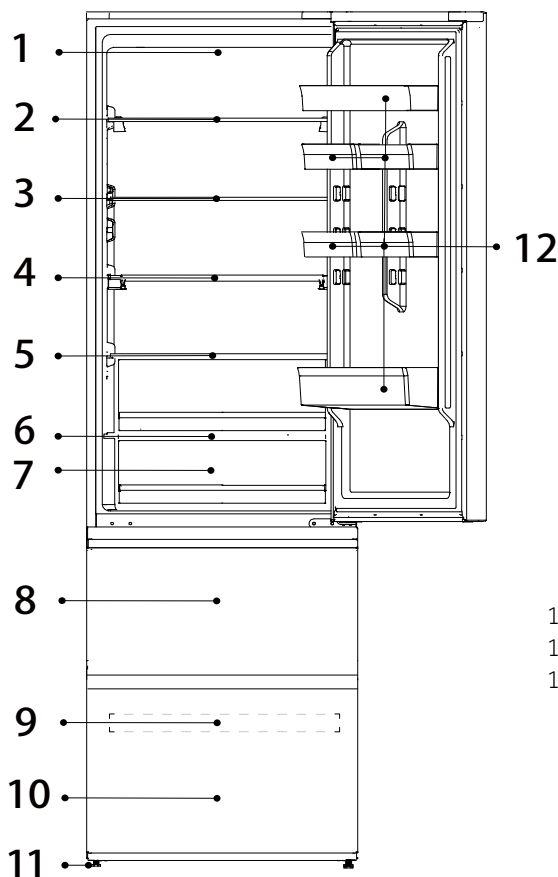
(HTW5618DN*, HTW5618CN*, HTW5618EN*)



i UPOZORNĚNÍ

Vzhledem k technickým změnám a různým modelům nemusí některé obrázky v této příručce přesně zobrazovat model.

(HTW3620EN*, HTW3620DN*, HTW3620CN*)

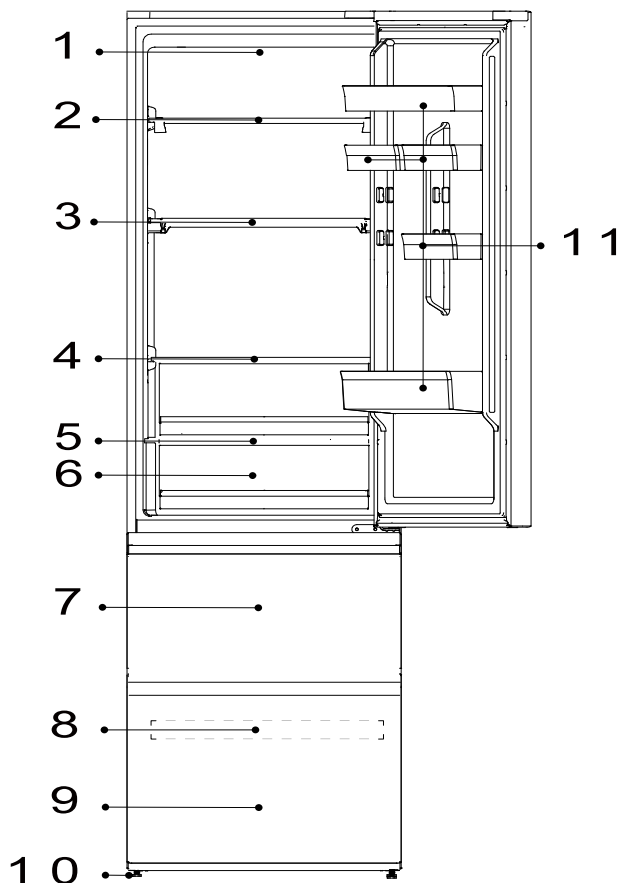


- 1-Lampa LED chladničky
- 2-Skleněná police
- 3-Skleněná police
- 4-Skleněná police
- 5-Skleněná police
- 6-Kryt zásuvky My Zone
- 7-Zásuvka My Zone
- 8-Horní zásuvka mrazničky
- 9-Příhrádka mrazničky
- 10-Dolní zásuvka mrazničky
- 11-Nastavitelné nohy
- 12-Police na dveřích

i UPOZORNĚNÍ

Vzhledem k technickým změnám a různým modelům nemusí některé obrázky v této příručce přesně zobrazovat model.

(HTW3618EN*, HTW3618DN*, HTW3618CN*)

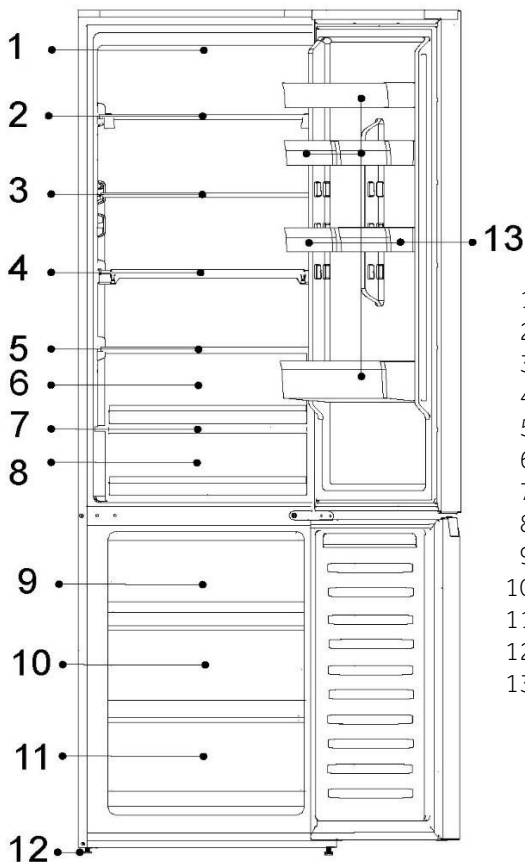


- 1-Lampa LED chladničky
- 2-Skleněná police
- 3-Skleněná police
- 4-Skleněná police
- 5-Kryt zásuvky My Zone
- 6-Zásuvka My Zone
- 7-Horní zásuvka mrazničky
- 8-Příhrádka mrazničky
- 9-Dolní zásuvka mrazničky
- 10-Nastavitelné nohy
- 11-Police na dveřích

i UPOZORNĚNÍ

Vzhledem k technickým změnám a různým modelům nemusí některé obrázky v této příručce přesně zobrazovat model.

(HDPW5620DN*, HDPW5620CN*, HDPW5620BN*, HDPW5620AN*)

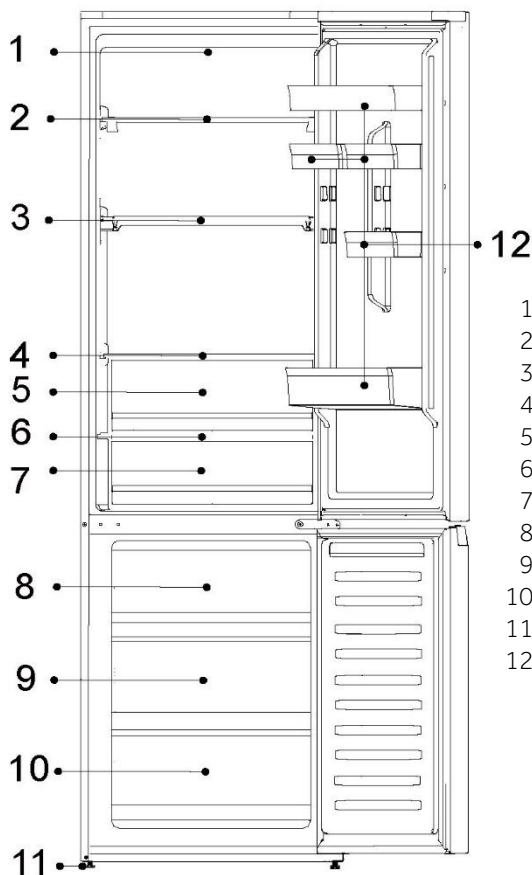


- 1-Lampa LED chladničky
- 2-Přihrádka na víno
- 3-Skleněná police
- 4-Skládací police
- 5-Kryt zásuvky Humidity Zone
- 6-Zásuvka Humidity Zone
- 7-Kryt zásuvky My Zone
- 8-Zásuvka My Zone
- 9-Horní zásuvka mrazničky
- 10-Střední zásuvka mrazničky
- 11-Dolní zásuvka mrazničky
- 12-Nastavitelné nohy
- 13-Police na dveřích

i UPOZORNĚNÍ

Vzhledem k technickým změnám a různým modelům nemusí některé obrázky v této příručce přesně zobrazovat model.

(HDPW5618DN*, HDPW5618CN*)



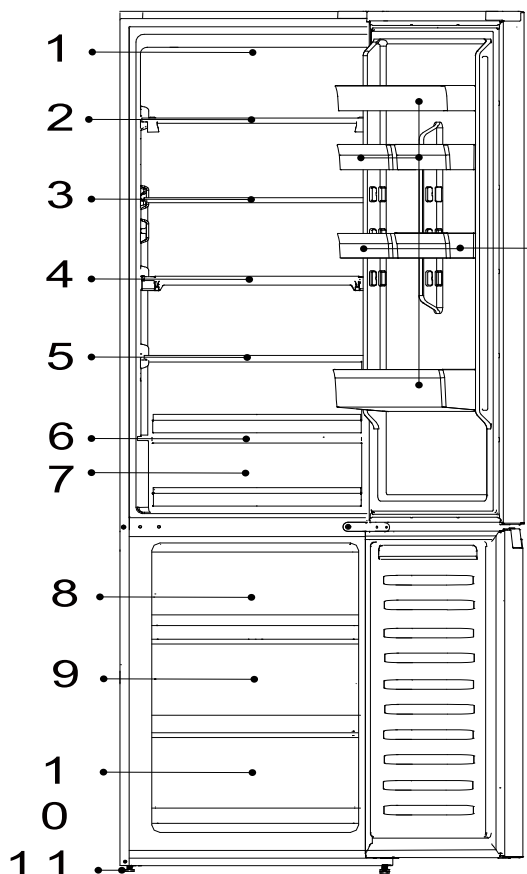
- 1-Lampa LED chladničky
- 2-Příhrádka na víno
- 3-Skládací police
- 4-Kryt zásuvky Humidity Zone
- 5-Zásuvka Humidity Zone
- 6-Kryt zásuvky My Zone
- 7-Zásuvka My Zone
- 8-Horní zásuvka mrazničky
- 9-Střední zásuvka mrazničky
- 10-Dolní zásuvka mrazničky
- 11-Nastavitelné nohy
- 12-Police na dveřích



UPOZORNĚNÍ

Vzhledem k technickým změnám a různým modelům nemusí některé obrázky v této příručce přesně zobrazovat model.

(HDPW3620DN*, HDPW3620CN*)



1 2

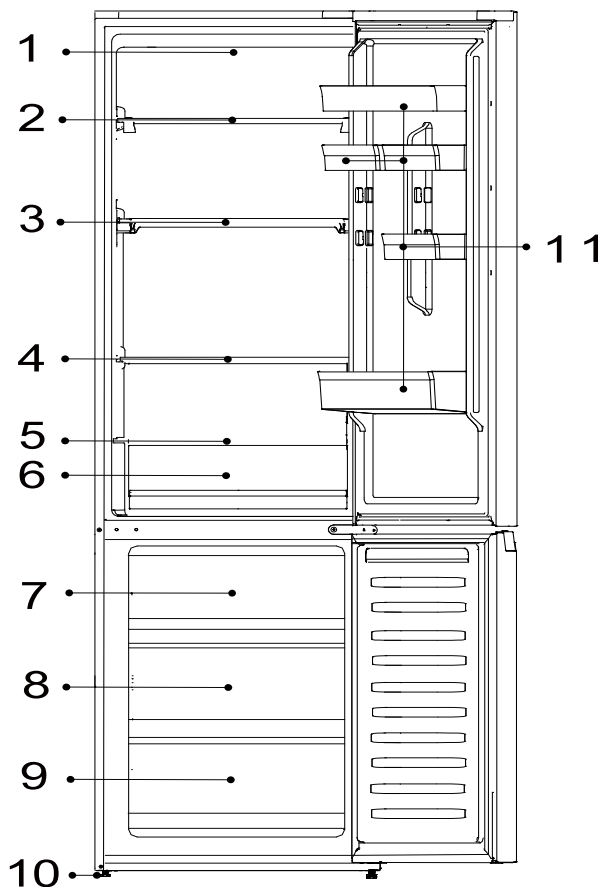
- 1-Lampa LED chladničky
- 2-Skleněná police
- 3-Skleněná police
- 4-Skleněná police
- 5-Skleněná police
- 6-Kryt zásuvky My Zone
- 7-Zásuvka My Zone
- 8-Horní zásuvka mrazničky
- 9-Příhrádka mrazničky
- 10-Dolní zásuvka mrazničky
- 11-Nastavitelné nohy
- 12-Police na dveřích



UPOZORNĚNÍ

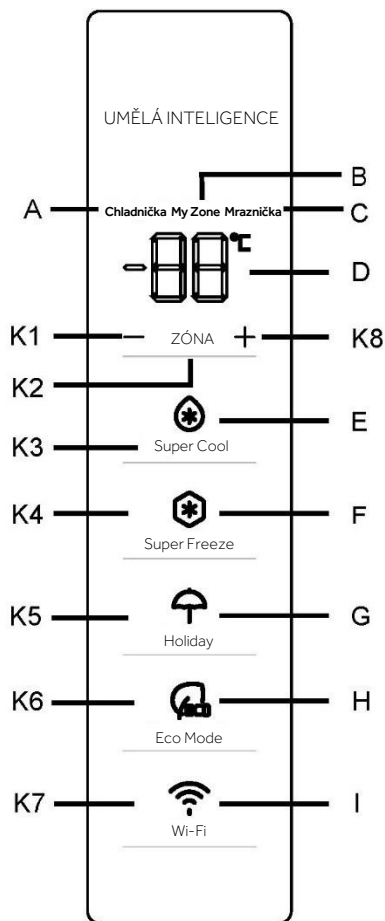
Vzhledem k technickým změnám a různým modelům nemusí některé obrázky v této příručce přesně zobrazovat model.

(HDPW3618DN*, HDPW3618CN*)



- 1-Lampa LED chladničky
- 2-Skleněná police
- 3-Skleněná police
- 4-Skleněná police
- 5-Kryt zásuvky My Zone
- 6-Zásuvka My Zone
- 7-Horní zásuvka mrazničky
- 8-Příhrádka mrazničky
- 9-Dolní zásuvka mrazničky
- 10-Nastavitelné nohy
- 11-Police na dveřích

Ovládací panel



Indikátory:

- A Prostor chladničky
- B Mrazicí box (My Zone)
- C Prostor mrazničky
- D Zobrazení teploty
- E Funkce Super Cool
- F Funkce Super Freeze
- G Funkce Holiday
- H Funkce Eco Mode
- I Funkce Wi-Fi

Tlačítka:

- K1 Snížení teploty
- K2 Výběr chladničky, My Zone a mrazničky
- K3 Vypínač funkce Super Cool
- K4 Vypínač funkce Super Freeze
- K5 Vypínač funkce Holiday
- K6 Vypínač funkce Eco Mode
- K7 Zapnutí/vypnutí funkce Wi-Fi
- K8 Zvýšení teploty

Před prvním použitím

Odstraňte všechny obalové materiály, uchovávejte je mimo dosah dětí a zlikvidujte je způsobem šetrným k životnímu prostředí.

Vnitřek a vnějšek spotřebiče, jakož i vnitřek a příslušenství vyčistěte vodou a jemným čisticím prostředkem a dobře je osušte měkkým hadříkem.

Po vyrovnání a vyčištění počkejte alespoň 2 hodiny, než spotřebič připojíte k napájení. Viz část **INSTALACE**.

Než naplníte prostory potravinami, nejprve je nechte ochladit na vysoké nastavení. Funkce Super Freeze pomáhá rychle zchladit mrazicí prostor



Dotyková tlačítka

Na ovládacím panelu jsou dotyková tlačítka, která reagují již na lehký dotyk prstem.

Zapínání/vypínání spotřebiče

Spotřebič se spustí ihned po připojení k napájení.

Při prvním zapnutí spotřebiče se na ukazatelích teploty „D“ zobrazí přednastavené hodnoty (viz níže uvedené oznámení).

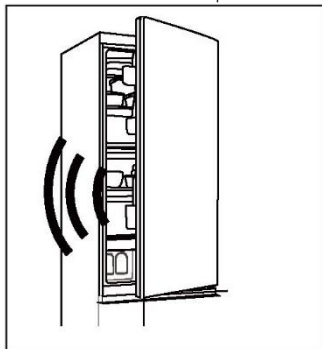
i UPOZORNĚNÍ

Spotřebič je přednastaven na doporučené teploty 5 °C (chladnička) a -18 °C (mraznička). Teplota v My Zone je přednastavena na přibližně 2 °C. Jedná se o doporučené nastavení. V případě potřeby můžete tyto teploty změnit ručně.

Alarm otevřených dveří

Pokud jsou dveře chladničky otevřené déle než 3 minuty, zazní alarm otevření dveří.

Alarm lze ukončit zavřením dvířek. Pokud jsou dveře otevřené déle než 7 minut, světlo uvnitř chladničky a osvětlení ovládacího panelu se automaticky vypnou.



Nastavení teploty

Vnitřní teploty jsou ovlivňovány následujícími faktory:

- ▶ Okolní teplota
- ▶ Frekvence otevírání dvířek
- ▶ Množství uskladněných potravin
- ▶ Instalace spotřebiče



Nastavení teploty v chladničce

1. Stisknutím tlačítka „K2“ (volba Chladnička/(My Zone)/Mraznička) zvolte prostor Chladnička. Ikony „A“ (prostor chladničky) a „D“ (ukazatel teploty) jasně svítí.

2. Stisknutím tlačítka „K1/K8“ nastavte teplotu chladničky.

Teplota se zvyšuje po 1 °C, od minima 2 °C do maxima 8 °C. Optimální teplota v chladničce je 5 °C. Nižší teploty znamenají zbytečnou spotřebu energie.

3. Přibližně po 5 s se ikona teploty „D“ (zobrazení teploty) trvale rozsvítí a nastavení je potvrzeno.

Nastavení teploty v mrazničce

1. Stisknutím tlačítka „K2“ (volba Chladnička/(My Zone)/Mraznička) zvolte prostor mrazničky. Ikony „C“ (prostor mrazničky) a „D“ (ukazatel teploty) jasně svítí.

2. Stisknutím tlačítka „K1/K8“ nastavte teplotu mrazničky.

Teplota se zvyšuje po 1 °C, od minima -24 °C do maxima -16 °C. Optimální teplota v chladničce je -18 °C. Nižší teploty znamenají zbytečnou spotřebu energie.

3. Přibližně po 5 s se indikátor teploty „D“ (zobrazení teploty) trvale rozsvítí a nastavení je potvrzeno.

Nastavení teploty v My Zone

Prostor chladničky je vybaven zásuvkou My Zone. Podle požadavků na skladování potravin lze zvolit nejvhodnější teplotu pro dosažení optimální výživové hodnoty potravin.

1. Stisknutím tlačítka „K2“ (volba Chladnička/(My Zone)/Mraznička) zvolte prostor My Zone. Ikony „B“ (prostor My Zone) a „D“ (ukazatel teploty) jasně svítí.

2. Stisknutím tlačítka „K1/K8“ nastavte teplotu My Zone.

Teplota se zvyšuje po 1 °C, od minima 0 °C do maxima 5 °C.

3. Přibližně po 5 s se ikona teploty „D“ (zobrazení teploty) trvale rozsvítí a nastavení je potvrzeno.



i UPOZORNĚNÍ

1. Teplotu v prostoru My Zone můžete nastavit na střední úroveň (2 °C), abyste potraviny uchovali v optimálním prostředí.
2. Vzhledem k rozdílnému obsahu vody v masě se některé druhy masa s vyšší vlhkostí zmrazují při teplotách nižších než 0 °C, proto by se mělo „čerstvě nakrájené“ maso skladovat v zásuvce My Zone s minimální teplotou 0 °C.
3. V zásuvce My Zone by se nemělo uchovávat ovoce citlivé na chlad, například ananas, avokádo, banány, grapefruity, zelenina jako brambory, lilky, fazole, okurky, cukety a rajčata a sýry.
4. Pokud je teplota v chladničce nižší než teplota My Zone, je normální, že teplota My Zone je nižší než nastavená teplota My Zone.

i UPOZORNĚNÍ

Pokud po nastavení teploty stisknete do 5 sekund další tlačítka, okamžitě se potvrdí aktuální nastavení teploty. Pokud do 5 sekund neprovedete žádnou operaci s tlačítkem, zobrazí se aktuální nastavená teplota, dokud obrazovka nezhasne.

i UPOZORNĚNÍ

Aplikace umožňuje přizpůsobit teplotu v prostoru chladničky, mrazničky i My Zone. Teplotu lze nastavovat s citlivostí 1 °C.

Funkce Super Cool

1. Doporučuje se zapínat funkci Super Cool v případě, že bylo uloženo velké množství potravin (například po nákupu). Funkce Super Cool urychluje chlazení čerstvých potravin a chrání již uložené zboží před nežádoucím ohřátím.
2. Stisknete tlačítko „K3“ nebo jej zapnete z aplikace, ikona „E“ (funkce Super Cool) se rozsvítí a funkce se aktivuje.



i UPOZORNĚNÍ

1. Spotřebič ukončí funkci „Super Cool“ po vstupu do funkce „Super Cool“ na 6 hodin nebo po stisknutí tlačítka „K3“, když ikona „E“ (funkce Super Cool) jasně svítí, nebo ji vypnete z aplikace.
2. Pokud se ve stavu Super Cool nastavuje teplota v prostoru chladničky, bliká ikona „E“ (funkce Super Cool), která signalizuje, že tuto operaci nelze provést.

Funkce Super Freeze

1. Čerstvé potraviny by se měly co nejdříve úplně zmrazit. Tím se zachová nejlepší výživová hodnota, vzhled a chuť. Funkce Super Freeze urychluje zmrazování čerstvých potravin a chrání již uložené zboží před nežádoucími ohřátím. Pokud potřebujete najednou zmrazit velké množství potravin, doporučuje se nastavit funkci Super Freeze 24 h před použitím mrazicího prostoru.
2. Stisknete tlačítko „K4“ (nastavení funkce Super Freeze) nebo ji zapnete z aplikace, ikona „F“ (funkce Super Freeze) se rozsvítí a funkce se aktivuje.

i UPOZORNĚNÍ

1. Spotřebič ukončí funkci „Super Freeze“ po vstupu do funkce „Super Freeze“ na 50 hodin nebo po stisknutí tlačítka „K4“, když ikona „F“ (funkce Super Freeze) jasně svítí, nebo ji vypnete z aplikace.
2. Pokud je ve stavu Super Freeze nastavena teplota prostoru mrazničky, bliká ikona „F“ (funkce Super Freeze), která signalizuje, že tuto operaci nelze provést.

Funkce Holiday

Funkci Holiday lze používat ke snížení spotřeby, když se spotřebič nepoužívá pravidelně. Když je funkce zapnutá, chladnička se vypne, zatímco mraznička bude pracovat normálně. Funkce trvale nastaví teplotu v chladničce na 17 °C.

To umožňuje udržet dveře prázdné chladničky zavřené, aniž by vznikl zápach nebo plíseň – během delší nepřítomnosti (např. během dovolené). Mrazicí prostor je volný pro vaše nastavení.

1. Stisknete tlačítko „K5“ (zapnutí/vypnutí funkce Holiday) nebo vyberte funkci v aplikaci, ikona „G“ (funkce Holiday) se rozsvítí a funkce se aktivuje.
2. Funkci lze deaktivovat opětovným stisknutím tlačítka „K5“ (zapnutí/vypnutí funkce Holiday) nebo nastavením teploty v chladničce či jiným nastavením nebo vypnutím z aplikace.



i UPOZORNĚNÍ

1. Během funkce Holiday by v prostoru chladničky neměly být uloženy žádné potraviny. Teplota 17 °C je příliš vysoká pro ukládání potravin.
2. Když je zapnutá funkce Holiady, ikona My Zone zůstává vypnutá a funkce chladničky je uzamčená. Pokud se nastavuje teplota v prostoru chladničky, bliká ikona „G“ (funkce Holiday), která signalizuje, že tuto operaci nelze provést.

Funkce Eco Mode

Režim Eco Mode lze aktivovat za účelem optimalizace výkonu spotřebiče při zachování nejlepších podmínek uchovávání potravin. Jestliže nemáte žádné zvláštní požadavky, doporučujeme používat režim funkce Eco Mode.

V tomto režimu je teplota chladničky 5 °C, teplota mrazničky -18 °C.






1. Stiskněte tlačítko „K6“ (zapnutí/vypnutí funkce Eco Mode) nebo vyberte funkci v aplikaci.
2. Ikona „H“ (funkce Eco Mode) svítí a funkce je aktivována.

Opakováním výše uvedených kroků nebo výběrem jiné funkce či vypnutím z aplikace lze tuto funkci opět vypnout. Obnoví se dříve nastavené úrovně chlazení.

i UPOZORNĚNÍ

Pokud se během funkce Eco Mode upravuje teplota prostoru chladničky/mrazničky, bliká ikona „H“ (funkce Eco Mode), která signalizuje, že tuto operaci nelze provést.

Krok 1 Stáhněte si aplikaci hOn z obchodu s aplikacemi.

   	
<p>Krok 2 Vytvořte si účet v aplikaci hOn, nebo se přihlaste, pokud již máte účet.</p> 	<p>Krok 3 Řiďte se pokyny pro párování v aplikaci hOn.</p> 

Funkce Wi-Fi

1. Nakonfigurujte síť Wi-Fi podle pokynů v aplikaci.
2. Jakmile je síť Wi-Fi nakonfigurována a naváže se spojení, rozsvítí se ikona „I“ a bude nepřerušovaně svítit.
3. Pokud již byla Wi-Fi nakonfigurována, po zapnutí Wi-Fi se automaticky znovu připojí podle informací o konfiguraci.

UPOZORNĚNÍ

1. Chcete-li vypnout Wi-Fi, stiskněte tlačítko Wi-Fi „K7“ a ikona Wi-Fi „I“ se vypne.
2. Chcete-li zapnout Wi-Fi a zahájit konfiguraci, stiskněte tlačítko Wi-Fi „K7“ a ikona Wi-Fi „I“ začne pomalu blikat. Pokud chcete konfigurovat funkci Wi-Fi, stiskněte na 3 sekundy tlačítko „K7“, ikona Wi-Fi rychle zabliká a přejde do konfiguračního režimu. Pokud chcete funkci Wi-Fi vypnout, stiskněte jednou tlačítko „K7“. Výše uvedené kroky se opakují.
3. Pokud byl spotřebič nakonfigurován a funkce Wi-Fi byla vypnuta, chladnička po opětovném připojení k napájení do režimu konfigurace nevstoupí.

UPOZORNĚNÍ

1. Tento výrobek není určen pro komerční použití.
2. Maximální výstupní výkon RF: 2,4 GHz Wi-Fi: 16 dBm;
3. Bluetooth® Low Energy: 5 dBm; Bluetooth®(BR/EDR): 10 dBm.
4. Frekvenční pásmo provozu: 2400–2483,5 MHz.



Ochranná známka a loga Bluetooth® jsou registrované ochranné známky společnosti Bluetooth SIG, Inc. a jakékoli použití těchto známek společností Candy Hoover Group SRL podléhá licenci. Ostatní ochranné známky a obchodní názvy jsou majetkem příslušných vlastníků.

Ukládání do prostoru chladničky

- Udržujte teplotu v chladničce pod 5 °C.
- Horké potraviny musí před uložením do spotřebiče vychladnout na pokojovou teplotu.
- Potraviny uchovávané v chladničce by se měly před uložením omýt a osušit.
- Potraviny určené k uložení by měly být náležitě uzavřené, aby se zamezilo změnám vůně nebo chuti.
- Neskladujte nadměrné množství potravin. Mezi potravinami nechávejte volné místo, aby kolem nich mohl proudit studený vzduch; pak bude chlazení lepší a rovnoměrnější.
- Potraviny konzumované každý den by se měly ukládat v přední části police.
- Mezi potravinami a vnitřními stěnami nechávejte mezery, kterými může proudit vzduch. V žádném případě neskladujte potraviny u zadní stěny: potraviny by mohly u zadní stěny zmrznout. Zamezte přímému kontaktu potravin (zejména olejnatých nebo kyselých) s vnitřním povrchem, protože oleje/kyseliny by mohly způsobit jeho korozi. Kdykoli objevíte olejnaté/kyselé nečistoty, odstraňte je.
- Zmrazené potraviny lze jemně rozmrazit v prostoru chladničky. Tím se šetří energie.
- Uchovávání v chladničce může urychlit zrání některých druhů ovoce a zeleniny, například cuket, melounů, papáji, banánů, ananasu atd. Proto se nedoporučuje skladovat je v chladničce. Nicméně uložení na určitou dobu může podpořit zrání velmi nezralého ovoce. Také cibule, česnek, zázvor a další kořenová zelenina by se měly skladovat při pokojové teplotě.
- Nepříjemný zápach uvnitř chladničky může znamenat, že se něco zkazilo a bude nutné čištění. Viz Čištění a údržba.
- Různé potraviny by se měly ukládat na různá místa podle jejich vlastností.

Ukládání do prostoru mrazničky

- Udržujte teplotu mrazničky na -18 °C.
- 24 hodin před zmrazením zapněte funkci Super-Freeze. Pro malé množství jídla stačí 4–6 hodin.
- Horké potraviny musí před uložením do prostoru mrazničky vychladnout na pokojovou teplotu.
- Potraviny nakrájené na malé porce zmrznou rychleji a snáze se rozmrazují a připravují. Doporučená hmotnost každé porce je méně než 2,5 kg
- Před vložením do mrazničky je vhodné potraviny zabalit. Vnější povrch obalu musí být suchý, aby balíčky nepřimrzly k sobě. Obalové materiály by měly být bez zápachu, vzduchotěsné, nejedovaté a netoxické.
- Na obal zaznamenejte datum zmrazení, maximální dobu a název potraviny podle doby skladování pro různé potraviny, abyste předešli překročení doby skladovatelnosti.



VAROVÁNÍ!

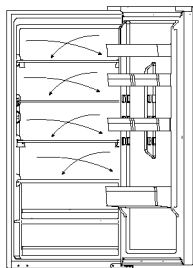
- ▶ Kyseliny, zásady, sůl apod. by mohly způsobit korozi vnitřního povrchu mrazničky.
- ▶ Nepokládejte potraviny obsahující tyto látky (např. mořské ryby) přímo na vnitřní povrch. Slaná voda v mrazničce by se měla ihned odstranit.
- ▶ Nepřekračujte dobu skladovatelnosti potravin doporučenou výrobcem. Vyjímejte z mrazničky pouze potřebné množství potravin.
- ▶ Rozmrazené potraviny rychle zkonzumujte. Rozmrazené potraviny již nelze znovu zmrazit, dokud se nejprve nepřipraví, jinak by se zhoršila jejich požitelnost.
- ▶ Neukládejte do prostoru mrazničky nadměrné množství čerstvých potravin. Věnujte pozornost kapacitě mrazničky - viz TECHNICKÉ ÚDAJE nebo údaje na typovém štítku.
- ▶ Potraviny lze skladovat v mrazničce při teplotě nejméně $-18\text{ }^{\circ}\text{C}$ po dobu 2 až 12 měsíců v závislosti na jejich vlastnostech (např. maso: 3–12 měsíců, zelenina: 6–12 měsíců)
- ▶ Při zmrazování čerstvých potravin zamezte jejich kontaktu s již zmrazenými potravinami. Hrozí nebezpečí rozmrazení!

Při ukládání potravin prodáváných ve zmrazeném stavu se řiďte těmito pokyny:

- Vždy dodržujte pokyny výrobce ohledně doby skladovatelnosti potravin. Tyto pokyny nepřekračujte!
- Snažte se co nejvíce zkrátit dobu mezi nákupem a uložením, aby zůstala zachována kvalita potravin.
- Kupujte mražené potraviny, které byly skladovány při teplotě $-18\text{ }^{\circ}\text{C}$ nebo nižší.
- Nekupujte potraviny, které mají na obalu led nebo námrazu. Znamená to, že tyto výrobky mohly být v nějakém okamžiku částečně rozmrazené a znovu zmrazené. Vzrůst teploty ovlivňuje kvalitu potravin.

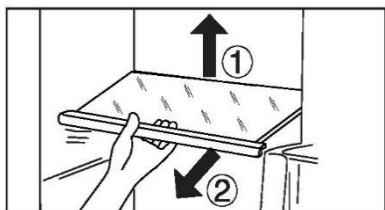
i UPOZORNĚNÍ

Vzhledem k různým modelům nemusí mít váš produkt všechny následující funkce. Viz kapitola Popis produktu.I.



Vícecestný průtok vzduchu

Chladnička je vybavena systémem vícecestného průtoku vzduchu, který zajišťuje proudění chladného vzduchu v každé úrovni polic. Pomáhá to udržovat jednotnou teplotu, která zaručí, že potraviny vydrží déle v čerstvém stavu.



Nastavitelná police

1. Výšku polic lze upravovat tak, aby vyhovovala vašim požadavkům na ukládání.
2. Chcete-li přemístit nějakou polici, vyjměte ji tak, že nejprve nadzdvihnete okraj ① a potom ji vytáhnete ven ②.
3. Při instalaci ji položte na výstupky na obou stranách a zatlačte ji až dozadu tak, aby se zadní strana police usadila uvnitř drážek v bočních stranách

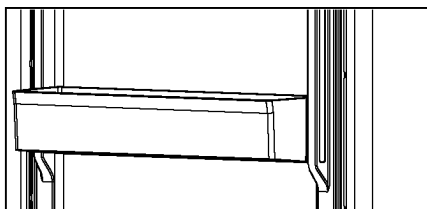
i UPOZORNĚNÍ

Ujistěte se, že oba konce police jsou v rovině.

Odnímatelná police na dveřích

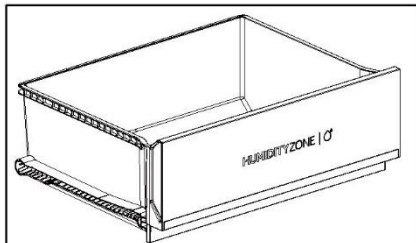
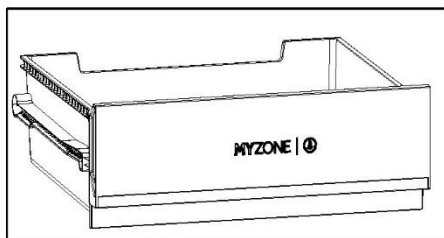
Police na dveřích lze vyjímat za účelem čištění:

Uchopte rukama obě strany police, zdvihněte ji nahoru (1) a vytáhněte ji ven (2). Při vkládání dveřní police proveďte výše popsané kroky v opačném pořadí



Zásuvka My Zone

Informace o používání a nastavení prostoru My Zone naleznete v části POUŽITÍ (My Zone)..



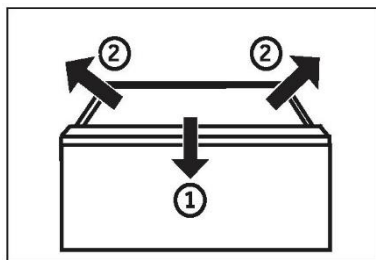
Zásuvka Humidity Zone

V tomto prostoru je úroveň vlhkosti automaticky řízena systémem a je vhodná pro skladování ovoce, zeleniny, salátů atd.

Vyjímatelná zásuvka

Chcete-li vyjmout zásuvku z prostoru chladničky nebo mrazničky, vytáhněte ji, jak nejdále to půjde (1), zvedněte a vyjměte (2).

Při vkládání zásuvky proveďte výše popsané kroky v opačném pořadí.



Zásuvka mrazničky

Zásuvky mrazničky lze vysunout rovně a zcela. Jsou namontovány na teleskopické kolejnici pro snadné posouvání. Abyste mohli zmražené potraviny pohodlně skladovat a vyjmout. Díky mechanismu automatického zavírání dveří je manipulace snadná a šetříte energii.



VAROVÁNÍ!

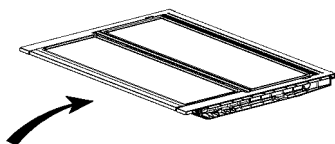
Zásuvky nepřetěžujte: Maximální zatížení každé zásuvky: 35 kg!

Světlo

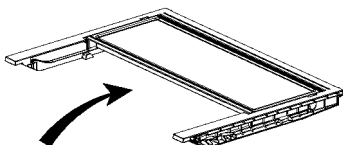
Po otevření dvířek se rozsvítí světlo LED osvětlující interiér. Fungování světel není ovlivňováno žádným z jiných nastavení spotřebiče.

Skládací police

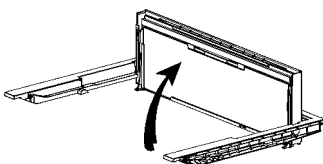
Skládací police umožní uživateli umístit na police vysoké láhve nebo položky. Polici lze v zadní části sklopit, čímž se zvětší volný prostor spodní police. Polici lze složit podle kroků 1~3. Pokud ji chcete vrátit na původní místo, proveďte následující postup opačně.



Krok 1: Přední část police pomalu zatlačte až na konec.



Krok 2: Pomalu posuňte polici nahoru do svislé polohy.



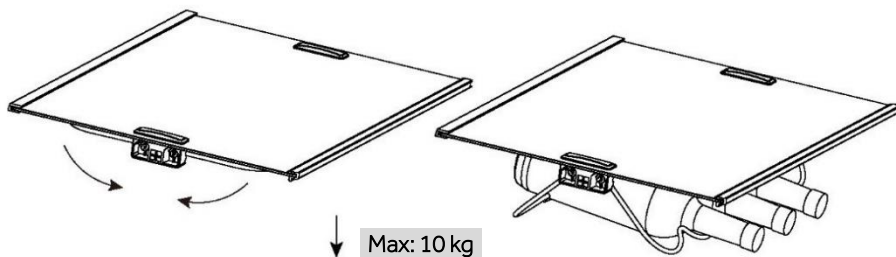
Krok 3: Police je svislá. Ušetří místo.

Skládací stojan na víno

Pro běžné použití

1. Stáhněte držáky stojanu na víno
2. Vložte lahve do stojanu

Pokud stojan na víno nepoužíváte, lze jej sklopit, abyste ušetřili místo.





Tipy pro úsporu energie

- ▶ Zajistěte, aby měl spotřebič náležité větrání (viz INSTALACE).
- ▶ Neinstalujte spotřebič na přímé sluneční světlo ani do blízkosti zdrojů tepla (např. sporáků nebo ohřivačů).
- ▶ Vyhýbejte se zbytečně nízké teplotě uvnitř spotřebiče. Spotřeba energie se zvyšuje se snižováním nastavené teploty ve spotřebiči.
- ▶ Funkce jako SUPER FREEZE spotřebovávají více energie.
- ▶ Teplé jídlo nechte před vložením do spotřebiče vychladnout.
- ▶ Otvírejte dvířka spotřebiče co nejméně a na co nejkratší dobu.
- ▶ Nepřepíňujte spotřebič, aby se nenarušilo proudění vzduchu.
- ▶ Zamezte přítomnosti vzduchu v obalech potravin.
- ▶ Udržujte těsnění dvířek v čistém stavu, aby se dvířka vždy správně zavírala.
- ▶ Rozmrazte zmrazené potraviny v úložném prostoru chladničky nebo použijte funkci D-Frost v zásuvce My Zone.
- ▶ Energeticky nejúspornější konfigurace vyžaduje, aby byly ve spotřebiči nainstalovány přihrádky, schránka na potraviny a police ve stavu jako z výroby a aby uložené potraviny nezakrývaly výstup vzduchového kanálu..



VAROVÁNÍ!

Čištění

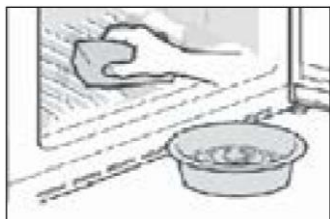
Spotřebič čistěte pouze tehdy, když je v něm uloženo jen málo potravin, nebo je prázdný.

Spotřebič by se měl čistit každé čtyři týdny, aby byl dobře udržovaný a zamezilo se zápachu z uložených potravin.



VAROVÁNÍ!

- ▶ Nečistěte spotřebič tvrdými kartáči, drátěnými kartáči, práškovým mycím prostředkem, benzínem, amylacetátem, acetonem, podobnými organickými roztoky a kyselými nebo zásaditými roztoky. K čištění použijte speciální čisticí prostředek na chladničky, aby se zamezilo poškození.
- ▶ Během čištění na spotřebič nestříkejte ani jej neoplachujte.
- ▶ K čištění spotřebiče nepoužívejte vodní postřik ani proud vody.
- ▶ Nečistěte chladné skleněné police horkou vodou. Náhlá změna teploty by mohla způsobit, že sklo praskne.
- ▶ Nedotýkejte se vnitřního povrchu úložného prostoru mrazničky, zejména ne mokřými rukama, protože by mohly přimrznout k povrchu.
- ▶ V případě ohřátí zkontrolujte stav mražených potravin.



- ▶ Vždy udržujte těsnění dvířek v čistém stavu.
- ▶ Očistěte vnitřek a skříň spotřebiče houbou navlhčenou v teplé vodě s neutrálním čisticím prostředkem.
- ▶ 1. Vydrhněte vnitřní a vnější povrchy chladničky včetně těsnění dvířek, polic ve dvířkách, skleněných polic, přihrádek apod. měkkou utěrkou nebo houbou namočenou v teplé vodě (do teplé vody můžete přidat neutrální saponát).
- ▶ 2. Pokud se rozlije nějaká tekutina, vyjměte všechny zasažené součásti, opláchněte je přímo pod tekoucí vodou, osušte a vraťte zpět do chladničky.
- ▶ 3. Pokud se rozlije smetana (například šlehačka nebo roztátá zmrzlina), vyjměte všechny zasažené součásti, na nějakou dobu je vložte do teplé vody o teplotě asi 40 °C, potom je opláchněte pod tekoucí vodou, osušte a vraťte zpět do chladničky.
- ▶ 4. V případě, že uvnitř chladničky uvíznou nějaké malé díly nebo součásti (mezi policemi nebo zásuvkami), uvolněte je měkkým kartáčkem. Pokud na nějakou součást nedosáhnete, obraťte se na servis společnosti Haier
- ▶ Opláchněte povrch a vysušte ho měkkou látkou.
- ▶ Nemyjte žádné součásti spotřebiče v myčce.
- ▶ Před opětovným spuštěním spotřebiče počkejte alespoň 5 minut, protože časté spouštění by mohlo poškodit kompresor.



Odmrazování

Prostory chladničky a mrazničky se odmrazují automaticky; není nutný žádný ruční zásah. Výměna žárovek LED



VAROVÁNÍ!

Nevyměňujte žárovku LED vlastními silami, její výměnu musí provést buď výrobce, nebo autorizovaný servisní zástupce.

Jako zdroj světla v žárovce se využívají diody LED, které se vyznačují nízkou spotřebou energie a dlouhou životností. Pokud se vyskytne nějaký neobvyklý stav, kontaktujte zákaznický servis. Viz ZÁKAZNICKÝ SERVIS.

Parametry žárovek:

Část	Žárovka LED
Napětí	12 V
Max. výkon	1,5 W
Specifikace LED	White-2835
Třída účinnosti LED	G
Teplota použití	-40~80 °C

Když se spotřebič delší dobu nepoužívá

Jestliže se spotřebič nebude delší dobu používat a nebudete využívat funkci chladničky Holiday:

Vyjměte potraviny.

Vytáhněte napájecí kabel ze zásuvky.

Vyčistěte spotřebič podle výše uvedeného popisu.

Nechte dvířka otevřená, aby se uvnitř nevytvořil zápach.



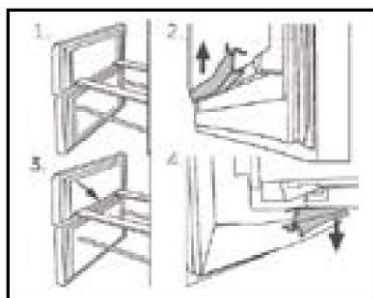
UPOZORNĚNÍ

Spotřebič vypínejte pouze v nezbytně nutných případech.

Odnímatelné pomocné těsnění dveří

Na horní a dolní zásuvce mrazničky je šest pomocných těsnění dveří.

1. Najděte pět uvedených těsnění dveří na horní a dolní zásuvce mrazničky.
 2. Při upevňování dbejte na to, aby ohnuté plátky těsnění směřovaly dovnitř.
 3. Vyhledejte spodní těsnění horní zásuvky podle pokynů.
 4. Při upevňování dbejte na to, aby ohnutý plátek tohoto těsnění směřoval dolů.
- Tato těsnění, stejně jako těsnění otočných dveří/zásuvek, získáte prostřednictvím zákaznického servisu (viz záruční list).



Přemísťování spotřebiče

1. Vyjměte všechny potraviny a odpojte spotřebič od napájení.
2. Připevněte police a ostatní pohyblivé součásti v chladničce a mrazničce lepicí páskou.
3. Nenaklánějte chladničku v úhlu větším než 45°, aby se předešlo poškození chladicího systému.



VAROVÁNÍ!

- ▶ Nezdvihejte spotřebič za madla.
- ▶ Nikdy nepokládejte spotřebič vodorovně na zem.



Mnoho problémů můžete vyřešit sami bez konkrétních odborných znalostí. V případě problému zkontrolujte všechny možnosti a řiďte se níže uvedenými pokyny, než se obrátíte na poprodejní servis. Viz ZÁKAZNICKÝ SERVIS.



VAROVÁNÍ!

- ▶ Před zahájením údržby vypněte spotřebič a vytáhněte zástrčku napájecího kabelu ze zásuvky.
- ▶ Servis elektrického zařízení by měli provádět pouze kvalifikovaní elektrikáři, protože nepatřičné opravy mohou vést k vážným následným škodám.
- ▶ Poškozený napájecí kabel by měl vyměnit pouze výrobce, jeho servisní zástupce nebo osoby s podobnou kvalifikací, aby se vyloučilo riziko.

Řešení problémů

Problém	Možná příčina	Možné řešení
Kompresor nepracuje.	Síťová zástrčka není zapojena do síťové zásuvky.	Zapojte síťovou zástrčku.
	Spotřebič provádí cyklus odmrazování.	Jedná se o normální jev při automatickém odmrazování.
Spotřebič se spouští často, nebo běží příliš dlouho.	Vnitřní nebo venkovní teplota je příliš vysoká.	V tomto případě je normální, že spotřebič běží déle.
	Spotřebič byl určitou dobu vypnutý.	Normálně trvá 8 až 12 hodin, než se spotřebič úplně ochladí.
	Dvířka/zásuvka spotřebiče nejsou těsně zavřené.	Zavřete dvířka/zásuvku a ujistěte se, že spotřebič je umístěn na rovné zemi a dvířkům nepřekáží žádné potraviny nebo nádoby.
	Dvířka/zásuvka se otvírala příliš často, nebo byla příliš dlouho otevřená.	Neotvírejte dvířka/zásuvku příliš často.
	Nastavená teplota pro prostor mrazničky je příliš nízká.	Nastavujte vyšší teplotu, dokud nedosáhnete uspokojivé teploty chladničky. Trvá 24 hodin, než se teplota chladničky ustálí.
	Těsnění dvířek/zásuvky je znečištěné, opotřebené, popraskané nebo nesprávně nainstalované.	Vyčistěte těsnění dvířek/zásuvky, nebo ho nechte vyměnit zákaznickým servisem.
Není zaručena požadovaná cirkulace vzduchu.	Zajistěte odpovídající větrání.	
Vnitřek chladničky je znečištěný a/nebo zapáchá.	Je třeba vyčistit vnitřek chladničky.	Vyčistěte vnitřek chladničky.
	V chladničce je uloženo nějaké silně aromatické jídlo.	Důkladně zabalte jídlo.

Problém	Možná příčina	Možné řešení
Uvnitř spotřebiče není dostatečně chladno.	Je nastavena příliš vysoká teplota.	Znovu nastavte teplotu.
	Byly uloženy příliš teplé potraviny.	Před uložením vždy nechte jídlo vychladnout.
	Bylo uloženo příliš potravin najednou.	Vždy ukládejte menší množství potravin.
	Potraviny jsou příliš blízko sebe.	Nechte mezi potravinami mezery umožňující proudění vzduchu.
	Dvířka/zásuvka spotřebiče nejsou těsně zavřená.	Zavřete dvířka/zásuvku.
	Dvířka/zásuvka se otvírala příliš často, nebo byla příliš dlouho otevřená.	Neotvírejte dvířka/zásuvku příliš často.
Uvnitř spotřebiče je příliš chladno.	Je nastavena příliš nízká teplota.	Znovu nastavte teplotu.
	Je aktivována funkce Super Freeze, nebo běží příliš dlouho.	Vypněte funkci Super Freeze.
Tvoření vlhkosti na vnitřním povrchu prostoru chladničky.	Prostředí je příliš teplé a vlhké.	Zvyšte teplotu.
	Dvířka/zásuvka spotřebiče nejsou těsně zavřená.	Zavřete dvířka/zásuvku.
	Dvířka/zásuvka se otvírala příliš často, nebo byla příliš dlouho otevřená.	Neotvírejte dvířka/zásuvku příliš často.
	Nádoby na potraviny nebo tekutiny zůstaly otevřené.	Nechte horké potraviny vychladnout na pokojovou teplotu a potraviny a tekutiny zakryjte.
Na vnějším povrchu chladničky nebo mezi dvířky / zásuvkou se hromadí vlhkost.	Prostředí je příliš teplé a vlhké.	Jedná se o normální jev ve vlhkém prostředí; až se sníží vlhkost, situace se změní.
	Dvířka/zásuvka nejsou těsně zavřená.	Ujistěte se, že dvířka/zásuvka jsou těsně zavřená.
V prostoru mrazničky je silná vrstva ledu a námrazy.	Potraviny nebyly náležitě zabalené.	Vždy dobře zabalte potraviny.
	Dvířka/zásuvka se otvírala příliš často, nebo byla příliš dlouho otevřená.	Neotvírejte dvířka/zásuvku příliš často.
	Těsnění dvířek/zásuvky je znečištěné, opotřebené, popraskané nebo nesprávně nainstalované.	Vyčistěte těsnění dvířek/zásuvky, nebo ho vyměňte za nové.
	Něco uvnitř brání správnému zavření dvířek/zásuvky.	Přemístěte vnitřní police, police na dvířkách nebo vnitřní nádoby, aby se mohla dvířka/zásuvka zavřít.



Problém	Možná příčina	Možné řešení
Spotřebič vydává neobvyklé zvuky.	Spotřebič nestojí na rovné zemi.	Seřídte nohy, aby stál spotřebič rovně.
	Spotřebič se dotýká nějakého předmětu ve svém okolí.	Odstraňte předměty z okolí spotřebiče.
Ozývá se slabý zvuk podobný proudění vody.	Jedná se o normální jev.	/
Ozývá se pípání alarmu.	Dvířka úložného prostoru chladničky jsou otevřená.	Zavřete dvířka, nebo ručně vypněte alarm.
Ozývá se slabé hučení.	Protikondenzační systém je v chodu.	Zabraňuje kondenzaci, jedná se o normální jev.
Nefunguje osvětlení interiéru nebo chladicí systém.	Síťová zástrčka není zapojena do síťové zásuvky	Zapojte síťovou zástrčku.
	Napájení nemá správné parametry.	Zkontrolujte přívod elektrického napájení do místnosti. Zavolejte místnímu dodavateli elektřiny!
	Žárovka LED je vadná.	Zavolejte do servisu se žádostí o výměnu žárovky.
Boční strany skříně a lišta na dvířkách jsou teplé.	Jedná se o normální jev.	/
Z hubice dávkovače vody nevytéká voda	Zámek není deaktivován.	Deaktivujte zámek

Výpadek napájení

- ▶ V případě výpadku napájení by měly potraviny zůstat bezpečně v chladu po dobu asi 13 hodin. Během delšího výpadku napájení se řiďte těmito tipy, zejména v létě.
- ▶ Během výpadku napájení nevkládejte do spotřebiče další potraviny.
- ▶ Pokud je přerušení dodávky elektřiny předem oznámeno a trvá déle než 13 hodin, připravte si ledové kostky a vložte je do nádoby na horní polici prostoru chladničky.
- ▶ Ihned po výpadku napájení je nutné zkontrolovat potraviny.
- ▶ Vzhledem k tomu, že během výpadku napájení nebo jiné závady vzroste teplota v chladničce, doba skladování a požitelnost potravin se zkrátí. Jakékoli potraviny, které se rozmrazí, by se měly buď zkonsumovat, nebo brzy potom uvařit či upéct a znovu zmrazit (je-li to vhodné), aby se předešlo zdravotním rizikům.



UPOZORNĚNÍ

Funkce paměti během výpadku napájení

Po obnovení napájení bude spotřebič pokračovat v činnosti s parametry, které byly nastaveny před výpadkem.

Chcete-li kontaktovat technickou pomoc, navštivte naše webové stránky:
<https://corporate.haier-europe.com/en/>

V části „Website“ zvolte značku svého výrobku a svou zemi. Budete přesměrováni na konkrétní webovou stránku, kde najdete telefonní číslo a další způsoby, jak kontaktovat technickou pomoc.

Vybalení



VAROVÁNÍ!

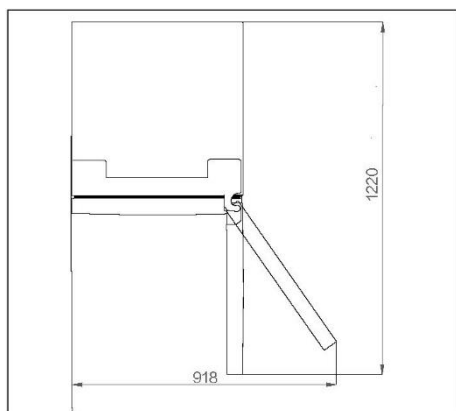
- ▶ Spotřebič je těžký. Vždy s ním manipulujte alespoň ve dvou osobách.
- ▶ Uchovávejte všechny obalové materiály mimo dosah dětí a zlikvidujte je způsobem šetrným k životnímu prostředí.
- ▶ Vyjměte spotřebič z obalu.
- ▶ Odstraňte všechny obalové materiály.

Podmínky prostředí

Pokojevá teplota by měla být vždy mezi 10 °C a 43 °C, protože může ovlivňovat teplotu uvnitř spotřebiče a jeho spotřebu energie. Bez náležité izolace neinstalujte spotřebič do blízkosti jiných spotřebičů vytvářejících teplo (trub, chladniček).

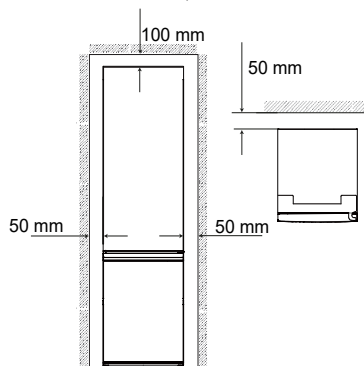
Doporučení ohledně prostoru

Doporučený prostor s otevřenými dvířky.



Průřez pro větrání

K zajištění dostatečného větrání spotřebiče doporučujeme z bezpečnostních důvodů dodržovat doporučení ohledně prostoru.

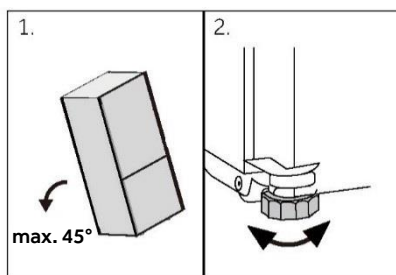


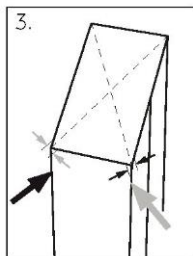
Vyrovnaní spotřebiče

Spotřebič by se měl postavit na rovný a pevný povrch.

1. Nakloňte chladničku mírně dozadu.
2. Nastavte nohy na požadovanou výšku.

Ujistěte se, že vzdálenost od stěny na straně se závěsem je nejméně 100 mm, aby se mohla dvířka správně otvírat.

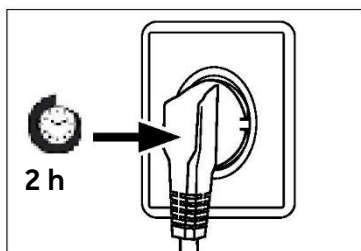




1. Stabilitu lze zkontrolovat střídavým kýváním po úhlopříčkách. Mírné kymácení by mělo být v obou směrech stejné. Jinak by se mohl rám zdeformovat, což by mohlo mít za následek, že těsnění dvířek nebude přiléhat. Mírný náklon dozadu usnadňuje zavírání dvířek.

UPOZORNĚNÍ

Pro volně stojící spotřebič: tento chladicí spotřebič není určen k používání jako vestavný spotřebič



Doba čekání

V kapsli kompresoru se nachází bezúdržbový mazací olej. V případě naklonění během přepravy se olej může dostat do uzavřeného potrubního systému. Před připojením spotřebiče k napájení musíte počkat 2 hodiny, aby všechen olej natekl zpět do kapsle.

Připojení k elektrickému napájení

Před každým připojením zkontrolujte:

- ▶ zda napájení, zásuvka a jištění odpovídají údajům na výrobním štítku.
- ▶ zda je síťová zásuvka uzemněná a nepoužívá se rozbočovací adaptér ani prodlužovací kabel.
- ▶ zda zástrčka přesně pasuje do zásuvky.

Zapojte zástrčku do náležitě nainstalované domácí zásuvky.

VAROVÁNÍ!

Aby se zamezilo rizikům, výměnu poškozeného napájecího kabelu musí provést zákaznický servis (viz záruční list).



Změna směru otáčení dveří

Před připojením spotřebiče k napájení byste měli zkontrolovat, zda není nutné změnit směr otáčení dveří zprava (po dodání) doleva, jestliže to vyžaduje místo instalace a použitelnost.

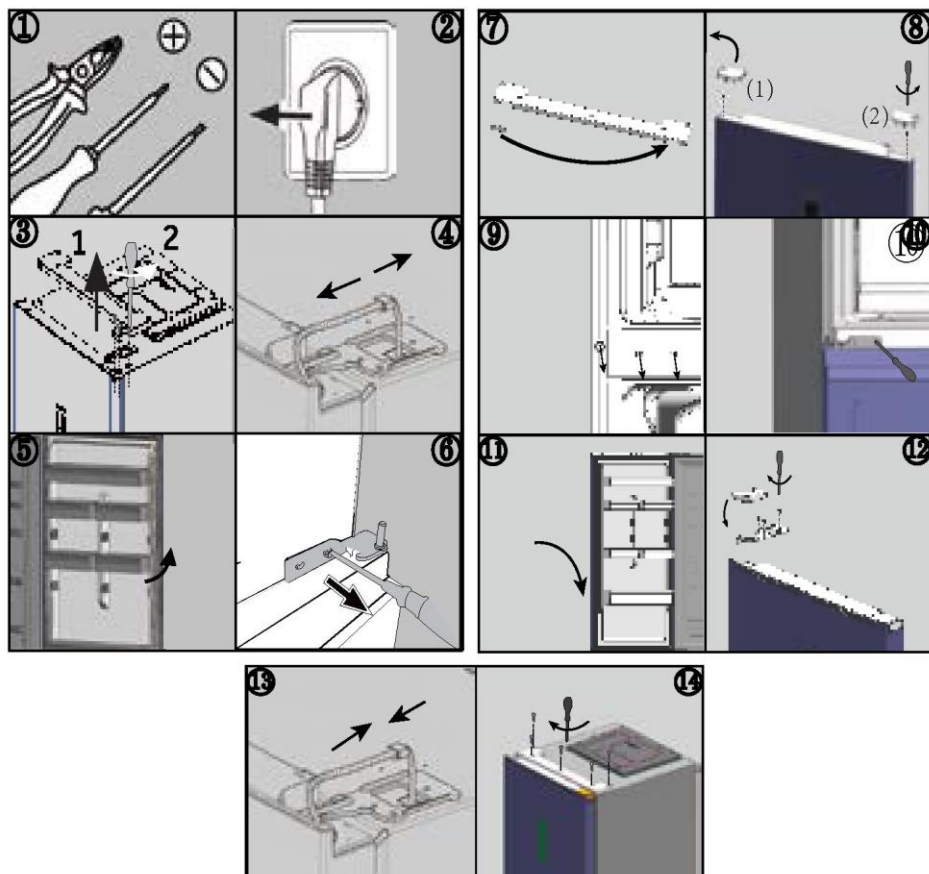


VAROVÁNÍ!

- ▶ Spotřebič je těžký. Ke změně směru otáčení dveří jsou zapotřebí dvě osoby.
- ▶ Před jakýmkoli úkonem nejprve odpojte spotřebič od sítě
- ▶ Nenaklánejte spotřebič v úhlu větším než 45 °C, aby se předešlo poškození chladicího systému.

Kroky montáže

1. Připravte si potřebné nástroje.
 2. Odpojte spotřebič od napájení.
 3. Sejměte kryt horního závěsu 1 a odšroubujte horní závěs (tři šrouby) na pravé straně 2.
 4. Odpojte propojovací kabel
 5. Uvolněné dveře chladničky opatrně zvedněte z prostředního závěsu.
 6. Odstraňte prostřední závěs.
 7. Odstraňte malý kryt předního panelu zleva doprava.
 8. Otočte dvířka vzhůru nohama a odšroubujte kryt (1). Vyměňte nový kryt (2) ze sáčku s příslušenstvím a přišroubujte ho na opačnou stranu.
 9. Změňte polohu záslepek a šroubu na boku.
 10. Přišroubujte prostřední závěs k levé straně spotřebiče. Věnujte pozornost obrácení čepu prostředního závěsu a ujistěte se, že strana s těsněním je otočená nahoru.
 11. Opatrně zvedněte horní dvířka na prostředním závěsu. A ujistěte se, že čep zapadá do hlavní závěsu spodních dveří.
 12. Vyměňte nový horní závěs a kryt závěsu ze sáčku s příslušenstvím. Propojovací kabel protáhněte závěsem nahoru a horní závěs upevněte třemi šrouby na levé straně spotřebiče. A na závěs nasadte kryt závěsu.
 13. Zapojte připojovací kabel.
 14. Vyměňte přední panel a upevněte jej pěti šrouby.
- Po výměně dveří zkontrolujte, zda jsou těsnění dveří správně umístěna na skříni a zda jsou všechny šrouby dobře dotaženy.



Okolní teploty

Subnormální: tento chladicí spotřebič je určen k používání při teplotách okolí v rozsahu od 10 °C do 32 °C

Normální: „tento chladicí spotřebič je určen k používání při teplotách okolí v rozsahu od 16 °C do 32 °C“;

Subtropická: „tento chladicí spotřebič je určen k používání při teplotách okolí v rozsahu od 16 °C do 38 °C“;

Tropická: „tento chladicí spotřebič je určen k používání při teplotách okolí v rozsahu od 16 °C do 43 °C“.



Parametry výrobku podle nařízení EU 2019/2016

Na základě výsledků standardní zkoušky za 24 hodin. Skutečná spotřeba energie bude záviset na způsobu používání a umístění spotřebiče.

Model	HTW5618DN*	HTW5620DN*	HTW5618EN*
Typ chladicího spotřebiče	Chladnička-mraznička	Chladnička-mraznička	Chladnička-mraznička
Třída energetické účinnosti	D	D	E
Roční spotřeba energie (kWh/rok)	217	226	271
Objem prostoru chladničky (l)	201	255	201
Objem prostoru mrazničky (l)	125	125	125
Objem mrazicího boxu (l)	34	34	34
Třída mrazení	4 hvězdičky	4 hvězdičky	4 hvězdičky
Typ odmrazování	Automatické odmrazování	Automatické odmrazování	Automatické odmrazování
Doba náběhu teploty (h)	13	13	11
Mrazicí výkon (kg/24 h)	10,0	10,0	10,0
Klimatická třída	SN.N.ST.T	SN.N.ST.T	SN.N.ST.T
Třída emisí hluku a emise hluku šířeného vzduchem (dB(A) re 1 pW)	B(35)	B(35)	B(35)



Model	HTW5618CN*	HTW5620CN*	HTW5620EN*
Typ chladicího spotřebiče	Chladnička-mraznička	Chladnička-mraznička	Chladnička-mraznička
Třída energetické účinnosti	C	C	E
Roční spotřeba energie (kWh/rok)	173	181	283
Objem prostoru chladničky (l)	201	255	255
Objem prostoru mrazničky (l)	125	125	125
Objem mrazicího boxu (l)	34	34	34
Třída mrazení	4 hvězdičky	4 hvězdičky	4 hvězdičky
Typ odmrazování	Automatické odmrazování	Automatické odmrazování	Automatické odmrazování
Doba náběhu teploty (h)	13	13	11
Mrazicí výkon (kg/24 h)	10.0	10.0	10.0
Klimatická třída	SN.N.ST.T	SN.N.ST.T	SN.N.ST.T
Třída emisí hluku a emise hluku šířeného vzduchem (dB(A) re 1 pW)	B(35)	B(35)	B(35)



Model	HDPW5618DN*	HDPW5620DN*	HDPW3620DN*
Typ chladicího spotřebiče	Chladnička-mraznička	Chladnička-mraznička	Chladnička-mraznička
Třída energetické účinnosti	D	D	D
Roční spotřeba energie (kWh/rok)	214	220	220
Objem prostoru chladničky (l)	201	255	255
Objem prostoru mrazničky (l)	117	117	117
Objem mrazicího boxu (l)	34	34	34
Třída mrazení	4 hvězdičky	4 hvězdičky	4 hvězdičky
Typ odmrazování	Automatické odmrazování	Automatické odmrazování	Automatické odmrazování
Doba náběhu teploty (h)	13	13	13
Mrazicí výkon (kg/24 h)	10,0	10,0	10,0
Klimatická třída	SN.N.ST.T	SN.N.ST.T	SN.N.ST.T
Třída emisí hluku a emise hluku šířeného vzduchem (dB(A) re 1 pW)	B(35)	B(35)	B(35)



Model	HDPW3618DN*	HDPW3620CN*	HTW3620DN*
Typ chladicího spotřebiče	Chladnička-mraznička	Chladnička-mraznička	Chladnička-mraznička
Třída energetické účinnosti	D	C	D
Roční spotřeba energie (kWh/rok)	214	176	226
Objem prostoru chladničky (l)	201	255	255
Objem prostoru mrazničky (l)	117	117	125
Objem mrazicího boxu (l)	34	34	34
Třída mrazení	4 hvězdičky	4 hvězdičky	4 hvězdičky
Typ odmrazování	Automatické odmrazování	Automatické odmrazování	Automatické odmrazování
Doba náběhu teploty (h)	13	13	13
Mrazicí výkon (kg/24 h)	10,0	10,0	10,0
Klimatická třída	SN.N.ST.T	SN.N.ST.T	SN.N.ST.T
Třída emisí hluku a emise hluku šířeného vzduchem (dB(A) re 1 pW)	B(35)	B(35)	B(35)



Model	HDPW5618CN*	HDPW5620CN*	HDPW5620AN*
Typ chladicího spotřebiče	Chladnička-mraznička	Chladnička-mraznička	Chladnička-mraznička
Třída energetické účinnosti	C	C	A
Roční spotřeba energie (kWh/rok)	171	176	114
Objem prostoru chladničky (l)	201	255	255
Objem prostoru mrazničky (l)	117	117	120
Objem mrazicího boxu (l)	34	34	34
Třída mrazení	4 hvězdičky	4 hvězdičky	4 hvězdičky
Typ odmrazování	Automatické odmrazování	Automatické odmrazování	Automatické odmrazování
Doba náběhu teploty (h)	13	13	16
Mrazicí výkon (kg/24 h)	10,0	10,0	10,0
Klimatická třída	SN.N.ST.T	SN.N.ST.T	SN.N.ST.T
Třída emisí hluku a emise hluku šířeného vzduchem (dB(A) re 1 pW)	B(35)	B(35)	B(35)

Další technické údaje

Model	HTW5618DN*	HTW5618EN*	HTW5620DN*
Celkový objem (l)	360	360	414
Napětí/frekvence	220–240 V / 50 Hz	220–240 V / 50 Hz	220–240 V / 50 Hz
vstupní proud (A)	1,4	1,4	1,4
Hlavní pojistka (A)	16	16	16
Chladivo	R600a(53 g)	R600a(53 g)	R600a(53 g)
Rozměry (Š/D/H v mm)	595*667*1850	595*667*1850	595*667*2050

Model	HTW5618CN*	HTW5620CN*	HTW5620EN*
Celkový objem (l)	360	414	414
Napětí/frekvence	220–240 V / 50 Hz	220–240 V / 50 Hz	220–240 V / 50 Hz
vstupní proud (A)	1,4	1,4	1,4
Hlavní pojistka (A)	15	15	16
Chladivo	R600a(50 g)	R600a(50 g)	R600a(53 g)
Rozměry (Š/D/H v mm)	595*667*1850	595*667*2050	595*667*2050



Model	HDPW5618DN*	HDPW5620DN*	HDPW3620DN*
Celkový objem (l)	352	406	406
Napětí/frekvence	220~240V/50Hz	220~240V/50Hz	220~240V/50Hz
vstupní proud (A)	1,4	1,4	1,4
Hlavní pojistka (A)	16	16	16
Chladivo	R600a(53g)	R600a(53g)	R600a(53g)
Rozměry (Š/D/H v mm)	595*667*1850	595*667*2050	595*667*2050

Model	HDPW5618CN*	HDPW5620CN*	HDPW5620AN*
Celkový objem (l)	352	406	409
Napětí/frekvence	220–240 V / 50 Hz	220–240 V / 50 Hz	220–240 V / 50 Hz
vstupní proud (A)	1,4	1,4	1,4
Hlavní pojistka (A)	15	15	15
Chladivo	R600a(50 g)	R600a(50 g)	R600a(50 g)
Rozměry (Š/D/H v mm)	595*667*1850	595*667*2050	595*667*2050



Další technické údaje

Model	HDPW5618CN*	HDPW5620CN*	HDPW5620AN*
Celkový objem (l)	352	406	409
Napětí/frekvence	220~240V/50Hz	220~240V/50Hz	220~240V/50Hz
vstupní proud (A)	1.4	1.4	1.4
Hlavní pojistka (A)	15	15	16
Chladivo	R600a(50g)	R600a(50g)	R600a(50g)
Rozměry (Š/D/H v mm)	595*667*1850	595*667*2050	595*667*2050



Doporučujeme využívat zákaznický servis společnosti Haier a používat originální náhradní díly.

V případě problému se spotřebičem si nejprve přečtete část ŘEŠENÍ PROBLÉMŮ.

Pokud v ní nenajdete řešení, kontaktujte

- ▶ místního prodejce nebo
- ▶ naše Evropské středisko telefonické podpory (viz telefonní čísla uvedená níže) nebo
- ▶ část Servis a podpora na stránkách www.haier.com, kde můžete aktivovat požadavek na servis
- ▶ a kde najdete také časté dotazy.

Chcete-li kontaktovat náš servis, ujistěte se, že máte k dispozici následující údaje. Tyto údaje lze najít na výrobním štítku.

Model _____

Výrobní číslo _____

V případě záruky se také podívejte do záručního listu dodaného s výrobkem.

Evropské středisko telefonické podpory		
Země*	Telefonní číslo	Ceny
Haier Italy (IT)	199 100 912	
Haier Spain (ES)	902 509 123	
Haier Germany (DE)	0180 5 39 39 99	<ul style="list-style-type: none"> • 14 ct/min pevná linka • max. 42 ct/min mobil
Haier Austria (AT)	0820 001 205	<ul style="list-style-type: none"> • 14,53 ct/min pevná linka • max. 20 ct/min vše ostatní
Haier United Kingdom (UK)	0333 003 8122	
Haier France (FR)	0980 406 409	



* Údaje o ostatních zemích najdete na www.haier.com

Haier Europe Trading S.r.l

Branch UK

Westgate House, Westgate, Ealing

London, W5 1YY

*Doba záruky chladničky:

Minimální záruka: 2 roky pro země EU, 3 roky pro Turecko, 1 rok pro Spojené království, 1 rok pro Rusko, 3 roky pro Švédsko, 2 roky pro Srbsko, 5 let pro Norsko, 1 rok pro Maroko, 6 měsíců pro Alžírsko, Tunisko nevyžaduje žádnou zákonnou záruku.

*Doba dostupnosti náhradních dílů pro opravu spotřebiče:

Termostaty, snímače teploty, desky s plošnými spoji a světelné zdroje budou k dispozici po dobu nejméně sedmi let od uvedení posledního modelu spotřebiče na trh. Madla dvířek, závěsy dvířek, přihrádky a koše budou k dispozici po dobu nejméně sedmi let a těsnění dvířek po dobu nejméně deseti let od uvedení posledního modelu spotřebiče na trh.

*Chcete-li další informace o výrobku, navštivte stránky <https://eprel.ec.europa.eu/> nebo naskenujte kód QR na energetickém štítku dodaném se spotřebičem.



Haier

Verze A 2023



0060534356

<u>97 Sicherheitsinformationen</u>	Vor der ersten Inbetriebnahme	98
	Installation	98
	Täglicher Gebrauch	99
<u>102 Bestimmungsgemäße Verwendung</u>		
<u>103 Produktbeschreibung</u>		
<u>107 Bedienfeld</u>		
<u>108 Verwendung</u>	Einstellen der Temperatur für den Kühlschrank	109
	Einstellen der Temperatur für den Gefrierschrank	109
	Einstellen der Temperatur für My Zone	109
	Super Cool-Funktion	110
	Super Freeze-Funktion	111
<u>116 Ausrüstung</u>		
<u>120 Energiespartipps</u>		
<u>121 Pflege und Reinigung</u>		
<u>124 Fehlerbehebung</u>		
<u>128 Installation</u>		
<u>132 Technische Daten</u>		
<u>138 Kundendienst</u>		



Bitte klicken Sie auf den Inhalt, um die Detailinformationen zu sehen.



Vielen Dank für den Kauf eines Haier-Produkts.

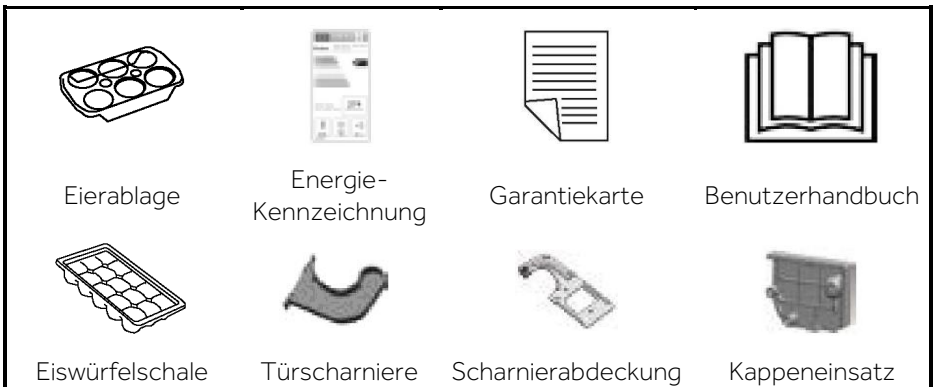
Bitte lesen Sie diese Anleitung sorgfältig durch, bevor Sie dieses Gerät benutzen. Die Anleitung enthält wichtige Informationen, die Ihnen dabei helfen, das Gerät optimal zu nutzen und eine sichere und ordnungsgemäße Installation, Verwendung und Wartung zu gewährleisten.

Bewahren Sie diese Anleitung an einem geeigneten Ort auf, damit Sie jederzeit für die sichere und ordnungsgemäße Verwendung des Geräts darauf zurückgreifen können.

Wenn Sie das Gerät verkaufen, weggeben oder bei einem Umzug zurücklassen, vergewissern Sie sich, dass diese Anleitung auch beigelegt wird, damit sich der neue Besitzer mit dem Gerät und den Sicherheitshinweisen vertraut machen kann.

Zubehör

Überprüfen Sie das Zubehör und die Dokumentation gemäß dieser Liste:



**WARNUNG - Wichtige Sicherheitsinformationen****HINWEIS - Allgemeine Informationen und Tipps****Umweltinformationen****Entsorgung**

Tragen Sie zum Schutz der Umwelt und der menschlichen Gesundheit bei. Die Verpackung zum Recyceln in die entsprechenden Behälter entsorgen. Unterstützen Sie das Recycling von Elektro- und Elektronik-Altgeräten. Entsorgen Sie Geräte, die mit diesem Symbol gekennzeichnet sind, nicht mit dem Hausmüll. Geben Sie das Produkt an Ihre lokale Recyclinganlage zurück oder wenden Sie sich an Ihre Stadtverwaltung.

**WARNUNG!**

Verletzungs- oder Erstickungsgefahr!

Kältemittel und Gase müssen fachgerecht entsorgt werden. Stellen Sie sicher, dass die Schläuche des Kältemittelkreislaufs nicht beschädigt sind, bevor sie ordnungsgemäß entsorgt werden. Trennen Sie das Gerät vom Stromnetz. Trennen Sie das Netzkabel und entsorgen Sie es. Entfernen Sie die Fächer und Schubladen sowie die Türöffnung und die Dichtungen, um zu verhindern, dass Kinder und Haustiere im Gerät eingeschlossen werden.



Lesen Sie vor dem ersten Einschalten des Geräts folgende Sicherheitshinweise:



WARNUNG!

Vor der ersten Inbetriebnahme

- ▶ Vergewissern Sie sich, dass keine Transportschäden vorliegen.
- ▶ Entfernen Sie alle Verpackungsteile und bewahren Sie sie außerhalb der Reichweite von Kindern auf.
- ▶ Warten Sie vor dem Einschalten des Geräts mindestens zwei Stunden, damit der Kühlkreislauf auch sicher und effektiv arbeitet.
- ▶ Das Gerät immer mit mindestens zwei Personen transportieren, da es schwer ist.

Installation

- ▶ Das Gerät sollte an einem gut belüfteten Ort aufgestellt werden. Idealerweise müssen mindestens 10 cm rund um das Gerät frei bleiben.
- ▶ Stellen Sie das Gerät niemals in einem feuchten Bereich oder an einem Ort auf, wo es mit Wasser nassgespritzt werden könnte. Reinigen Sie Wasserspritzer und Flecken mit einem weichen, sauberen Tuch.
- ▶ Stellen Sie das Gerät nicht in direktem Sonnenlicht oder in der Nähe von Hitzequellen (z. B. Herden, Heizungen) auf.
- ▶ Installieren und richten Sie das Gerät in einem Bereich ein, der für seine Größe und Verwendung geeignet ist.
- ▶ Lüftungsschlitze am Gerät oder in der Einbaustruktur freihalten.
- ▶ Stellen Sie sicher, dass die elektrischen Informationen auf dem Typenschild der Stromversorgung entsprechen. Ist dies nicht der Fall, wenden Sie sich an einen Elektriker.
- ▶ Das Gerät wird über eine 220-240 V Wechselspannung/50 Hz betrieben. Abnormale Spannungsschwankungen könnten dazu führen, dass das Gerät nicht angeht, der Temperaturregler oder Kompressor beschädigt wird, oder dass während des Betriebs ein abnormales Geräusch auftritt. In einem solchen Fall ist ein automatischer Regler anzubringen.
- ▶ Verwenden Sie keine Mehrfachsteckadapter und Verlängerungskabel.
- ▶ Keine Mehrfachsteckdosen oder Verlängerungen hinter dem Gerät platzieren.
- ▶ Stellen Sie sicher, dass das Netzkabel nicht durch den Kühlschrank eingeklemmt wird. Nicht auf das Netzkabel treten.

**WARNUNG!**

- ▶ Verwenden Sie eine separate, geerdete Steckdose für eine leicht zugängliche Stromversorgung. Das Gerät muss geerdet werden.
Nur für Großbritannien: Das Gerätenetzkabel ist mit einem 3-adrigen Stecker (Erdungsstecker) ausgestattet, der in eine 3-adrige Norm-Buchse (geerdet) passt. Den dritten Stift (Erdung) auf keinen Fall kappen oder entfernen. Das Gerät muss so installiert werden, dass der Stecker erreichbar ist.
- ▶ Den Kühlkreislauf nicht beschädigen.

Täglicher Gebrauch

- ▶ Dieses Gerät kann von Kindern ab 8 Jahren und Personen mit eingeschränkten körperlichen, sensorischen oder geistigen Fähigkeiten oder mangelnder Erfahrung und mangelndem Wissen benutzt werden, wenn diese in die sichere Bedienung des Geräts eingewiesen wurden oder beaufsichtigt werden und die damit verbundenen Gefahren verstanden haben.
- ▶ Kinder im Alter von 3 bis 8 Jahren dürfen Kühlschränke be- und entladen, aber nicht reinigen und installieren.
- ▶ Kinder unter 3 Jahren vom Gerät fernhalten, es sei denn, sie werden ständig beaufsichtigt.
- ▶ Kinder dürfen nicht mit dem Gerät spielen.
- ▶ Wenn Kühlgas oder ein anderes brennbares Gas in der Nähe des Geräts austritt, drehen Sie das Ventil des austretenden Gases ab. Öffnen Sie die Türen und Fenster, und ziehen Sie nicht den Netzstecker des Kühlschranks oder eines anderen Haushaltsgeräts.
- ▶ Beachten Sie, dass das Gerät für den Betrieb bei einer bestimmten Umgebungstemperatur zwischen 10 und 43 °C eingestellt ist. Das Gerät funktioniert möglicherweise nicht ordnungsgemäß, wenn es über einen längeren Zeitraum bei einer Temperatur oberhalb oder unterhalb des angegebenen Bereichs betrieben wird.
- ▶ Stellen Sie keine instabilen Gegenstände (schwere Gegenstände, mit Wasser gefüllte Behälter) auf den Kühlschrank, um Verletzungen durch Herunterfallen oder elektrische Schläge durch Kontakt mit Wasser zu vermeiden.
- ▶ Ziehen Sie nicht an den Türfächern. Die Tür kann schief verzogen werden, das Flaschenregal kann herausgezogen werden, oder das Gerät kann umkippen.
- ▶ Die Tür nur mit den Griffen öffnen und schließen. Der Spalt zwischen den Türen sowie zwischen den Türen und dem Schrank ist sehr schmal. Stecken Sie nicht Ihre Hände in diese Bereiche, um zu vermeiden, dass Sie Ihre Finger eingeklemmt werden. Die Kühlschranktüren nur dann öffnen oder schließen, wenn keine Kinder im Bewegungsbereich der Tür stehen.



WARNUNG!

- ▶ Keine brennbaren, explosionsfähigen oder korrosiven Substanzen im Gerät oder in der Nähe verwenden.
- ▶ Keine Arzneimittel, Bakterien oder Chemikalien im Gerät lagern. Dieses Gerät ist ein Haushaltsgerät. Es wird davon abgeraten, Materialien zu lagern, die extreme Temperaturen erfordern.
- ▶ Lagern Sie niemals Flüssigkeiten in Flaschen oder Dosen (außer hochprozentige Spirituosen), insbesondere kohensäurehaltige Getränke, im Gefrierschrank, da diese beim Einfrieren platzen können.
- ▶ Überprüfen Sie den Zustand der Lebensmittel, wenn die Temperatur im Gefrierschrank angestiegen ist.
- ▶ Keine unnötig niedrigen Temperaturen im Kühlschrank einstellen. Bei hohen Einstellungen kann es zu Minustemperaturen kommen. Achtung: Flaschen können platzen.
- ▶ Berühren Sie Gefriergut nicht mit nassen Händen (Handschuhe tragen). Verzehren Sie insbesondere Eis am Stiel nicht sofort nach der Entnahme aus dem Gefrierfach. Es besteht die Gefahr des Erfrierens oder der Bildung von Frostblasen an Mund und Zunge. ERSTE HILFE: Sofort unter fließend kaltes Wasser halten. Nicht mit Gewalt abziehen!
- ▶ Berühren Sie nicht die Innenfläche des Gefrierfachs, insbesondere nicht mit nassen Händen, da Ihre Hände an der Oberfläche festfrieren könnten.
- ▶ Ziehen Sie den Gerätestecker aus der Steckdose, falls die Stromversorgung unterbrochen wird oder bevor Sie das Gerät reinigen. Warten Sie vor dem Neustart mindestens 7 Minuten, da durch häufiges Einschalten der Kompressor beschädigt werden kann.
- ▶ Im Inneren des Haushaltsgeräts keine elektrischen Geräte benutzen, es sei denn, sie werden vom Hersteller empfohlen. Wartung / Reinigung
- ▶ Kinder müssen beaufsichtigt werden, wenn sie das Gerät reinigen und warten.
- ▶ Trennen Sie das Gerät von der Stromversorgung, bevor Sie eine routinemäßige Wartung durchführen. Warten Sie vor dem Neustart mindestens 5 Minuten, da durch häufiges Einschalten der Kompressor beschädigt werden kann.

**WARNUNG!**

- ▶ Fassen Sie beim Herausziehen des Gerätesteckers aus der Steckdose den Stecker und nicht das Kabel an.
- ▶ Reinigen Sie das Gerät nicht mit harten Bürsten, Drahtbürsten, Reinigungspulver, Benzin, Amylacetat, Aceton und ähnlichen organischen Lösungen, Säure oder Alkalilösungen. Reinigen Sie das Gerät mit einem speziellen Reinigungsmittel für Kühlgeräte, um Beschädigungen zu vermeiden.
- ▶ Kratzen Sie Frost und Eis nicht mit scharfkantigen Gegenständen ab. Verwenden Sie keine Sprays, elektrischen Heizgeräte, Haartrockner zum Abtauen oder Dampfreiniger im Gerät, um Beschädigungen der Kunststoffteile zu vermeiden.
- ▶ Keine mechanischen oder sonstigen Hilfsmittel verwenden, um den Abtauvorgang zu beschleunigen, es sei denn, dies wird vom Hersteller so empfohlen.
- ▶ Wenn das Stromkabel beschädigt ist, muss es vom Hersteller, von seinem Service-Mitarbeiter oder einer gleichwertig qualifizierten Person ausgetauscht werden, um jegliches Risiko zu vermeiden.
- ▶ Versuchen Sie nicht, das Gerät selbst zu reparieren, zu zerlegen oder zu verändern. Bei Reparaturen wenden Sie sich bitte an unseren Kundenservice.
- ▶ Entfernen Sie den Staub auf der Geräterückseite mindestens einmal im Jahr, um Brandgefahr und einen erhöhten Energieverbrauch zu vermeiden.
- ▶ Das Gerät während der Reinigung nicht besprühen oder mit Wasser beschütten.
- ▶ Das Gerät nicht mit Wasser besprühen oder mit Dampf reinigen.
- ▶ Die kalten Einlegeböden aus Glas nicht mit heißem Wasser reinigen. Plötzliche Temperaturschwankungen können dazu führen, dass das Glas zerspringt.

Informationen zum Kältemittelgas**WARNUNG!**

Das Gerät enthält das entzündliche Kältemittel ISOBUTAN (R600a). Stellen Sie sicher, dass der Kühlkreislauf während des Transports oder der Installation nicht beschädigt wird. Auslaufendes Kältemittel kann Augenverletzungen verursachen oder sich entzünden. Falls Schäden aufgetreten sind, halten Sie sich von offenen Brandquellen fern, lüften Sie den Raum gründlich, stecken Sie die Netzkabel des Geräts oder eines anderen Geräts nicht ein oder aus. Informieren Sie den Kundendienst. Falls die Augen mit dem Kältemittel in Kontakt kommen, sofort unter fließendem Wasser ausspülen und den Augenarzt verständigen.



Bestimmungsgemäße Verwendung

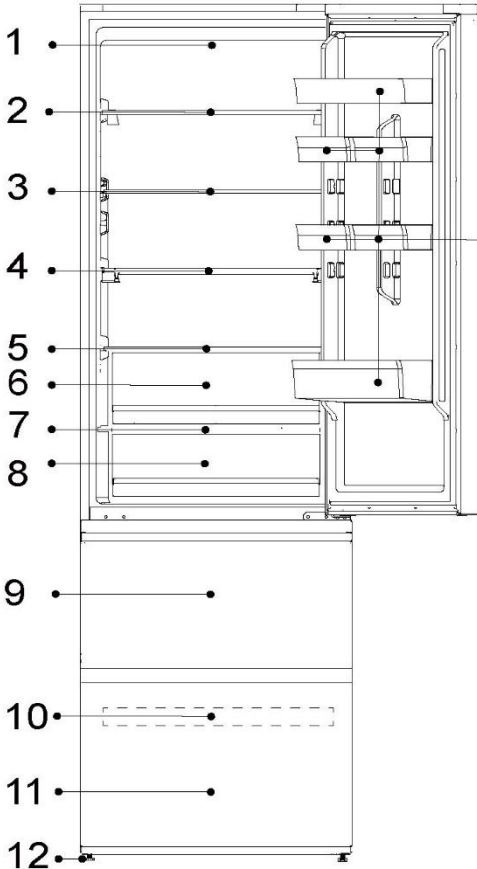
Dieses Gerät ist zum Kühlen und Gefrieren von Lebensmitteln bestimmt. Es ist ausschließlich für den Einsatz in Haushalten und ähnlichen Bereichen konzipiert, wie z. B. in Personalküchen in Geschäften, Büros und anderen Arbeitsumgebungen, auf Bauernhöfen und in Hotels, Motels und anderen wohnähnlichen Umgebungen sowie in Bed-and-Breakfasts und fürs Catering. Das Gerät ist nicht für die kommerzielle oder industrielle Nutzung bestimmt. Änderungen oder Anpassungen am Gerät sind nicht erlaubt. Eine unsachgemäße Verwendung kann zu Gefahren und zum Verlust von Garantieansprüchen führen.

Normen und Richtlinien

Dieses Produkt erfüllt die Anforderungen aller geltenden EG-Richtlinien mit den entsprechenden harmonisierten Normen, die eine CE-Kennzeichnung vorsehen.

i HINWEIS

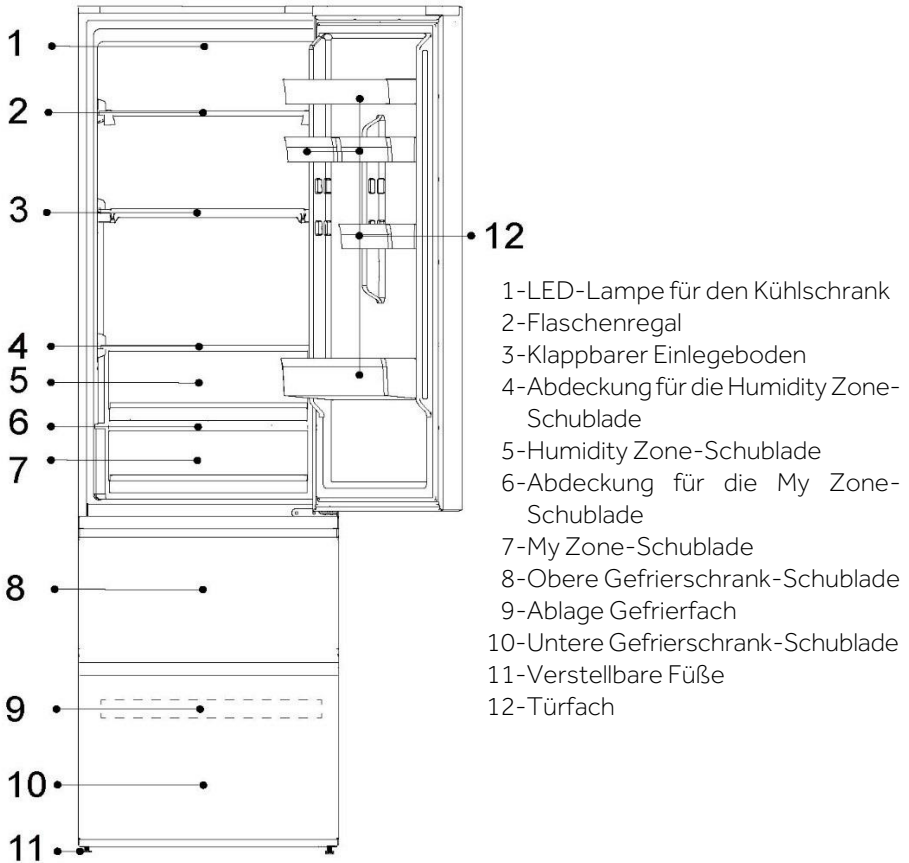
Aufgrund von technischen Änderungen und unterschiedlichen Modellen können einige der Abbildungen in dieser Anleitung von Ihrem Modell abweichen.
(HTW5620EN*, HTW5620DN*, HTW5620CN*)


13

- 1-LED-Lampe für den Kühlschrank
- 2-Flaschenregal
- 3-Einlegeboden aus Glas
- 4-Klappbarer Einlegeboden
- 5-Abdeckung für die Humidity Zone-Schublade
- 6-Humidity Zone-Schublade
- 7-Abdeckung für die My Zone-Schublade
- 8-My Zone-Schublade
- 9-Obere Gefrierschrank-Schublade
- 10-Ablage Gefrierfach
- 11-Untere Gefrierschrank-Schublade
- 12-Verstellbare Füße
- 13-Türfach

i HINWEIS

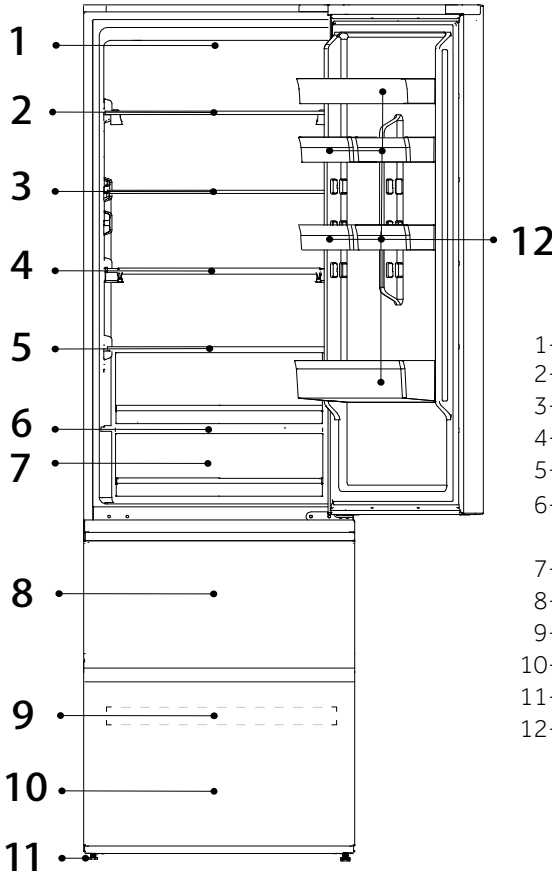
Aufgrund von technischen Änderungen und unterschiedlichen Modellen können einige der Abbildungen in dieser Anleitung von Ihrem Modell abweichen.
(HTW5618DN*, HTW5618CN*, HTW5618EN*)



i HINWEIS

Aufgrund von technischen Änderungen und unterschiedlichen Modellen können einige der Abbildungen in dieser Anleitung von Ihrem Modell abweichen.

(HTW3620EN*, HTW3620DN*, HTW3620CN*)



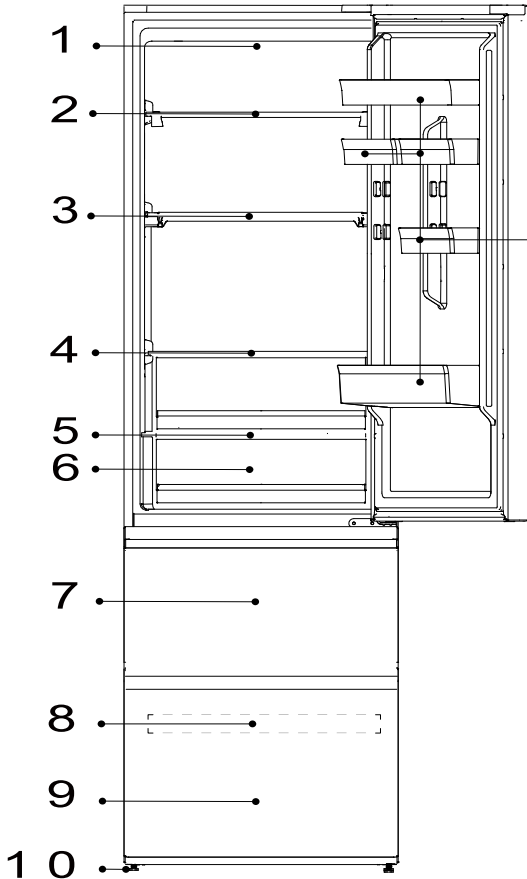
- 1-LED-Lampe für den Kühlschrank
- 2-Einlegeboden aus Glas
- 3-Einlegeboden aus Glas
- 4-Einlegeboden aus Glas
- 5-Einlegeboden aus Glas
- 6-Abdeckung für die My Zone-Schublade
- 7-My Zone-Schublade
- 8-Obere Gefrierschrank-Schublade
- 9-Ablage Gefrierfach
- 10-Untere Gefrierschrank-Schublade
- 11-Verstellbare Füße
- 12-Türfach



HINWEIS

Aufgrund von technischen Änderungen und unterschiedlichen Modellen können einige der Abbildungen in dieser Anleitung von Ihrem Modell abweichen.

(HTW3618EN*, HTW3618DN*, HTW3618CN*)

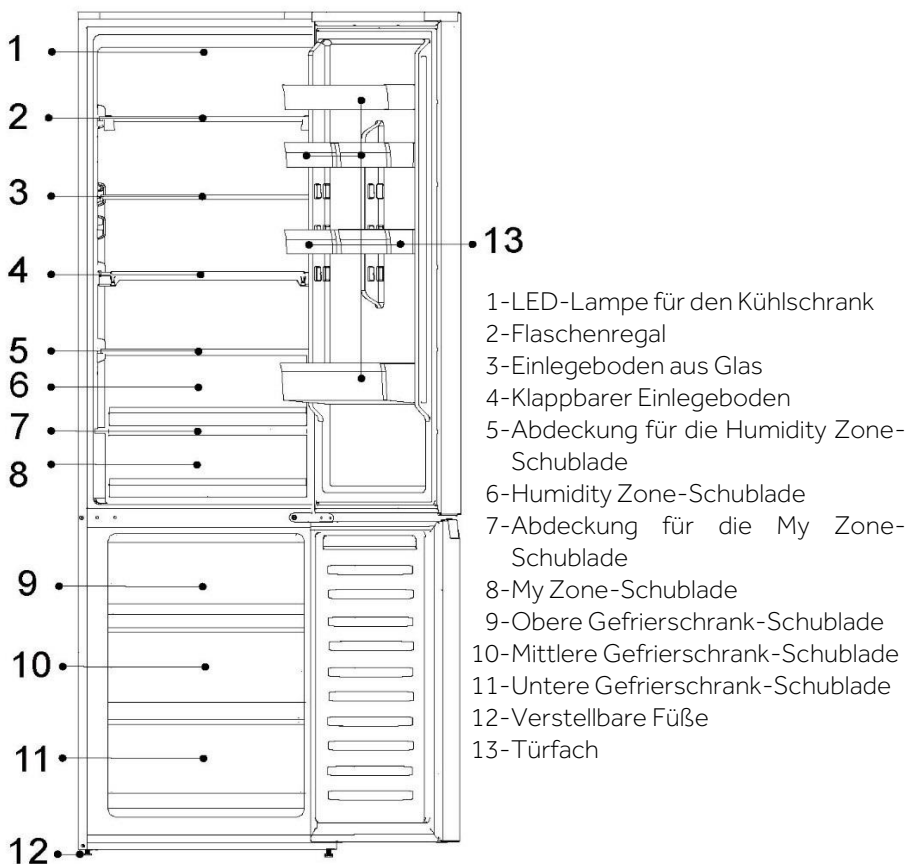


1 1

- 1-LED-Lampe für den Kühlschrank
- 2-Einlegeboden aus Glas
- 3-Einlegeboden aus Glas
- 4-Einlegeboden aus Glas
- 5-Abdeckung für die My Zone-Schublade
- 6-My Zone-Schublade
- 7-Obere Gefrierschrank-Schublade
- 8-Ablage Gefrierfach
- 9-Untere Gefrierschrank-Schublade
- 10-Verstellbare Füße
- 11-Türfach

i HINWEIS

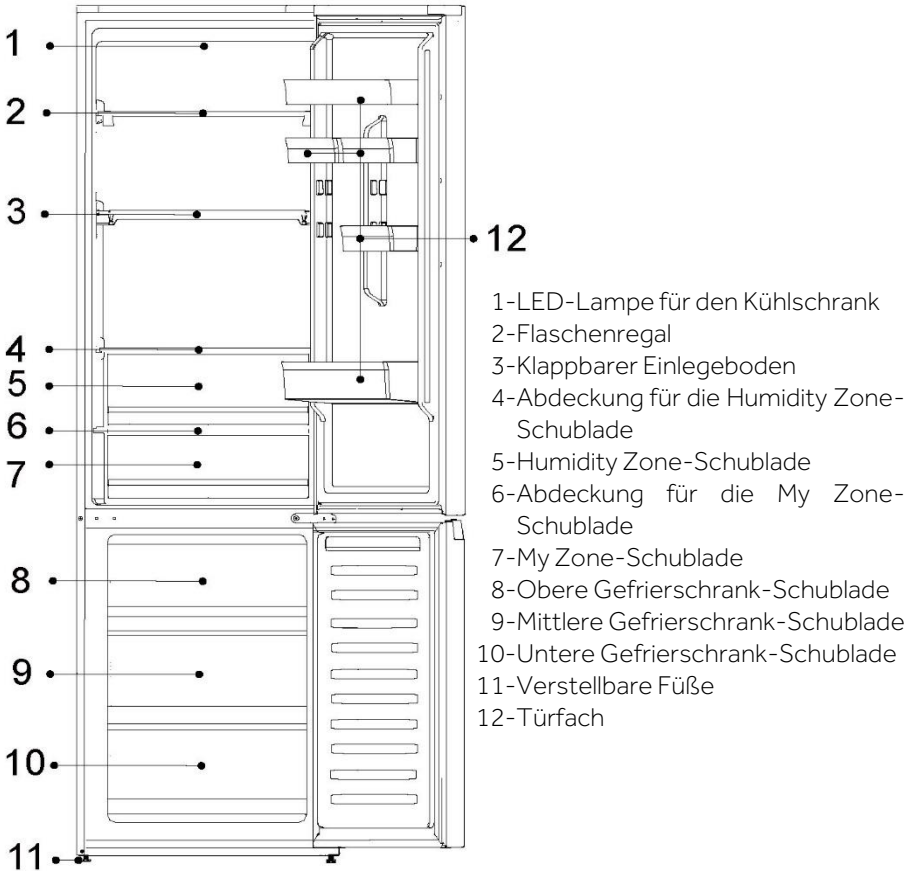
Aufgrund von technischen Änderungen und unterschiedlichen Modellen können einige der Abbildungen in dieser Anleitung von Ihrem Modell abweichen.
(HDPW5620DN*, HDPW5620CN*, HDPW5620BN*, HDPW5620AN*)





i HINWEIS

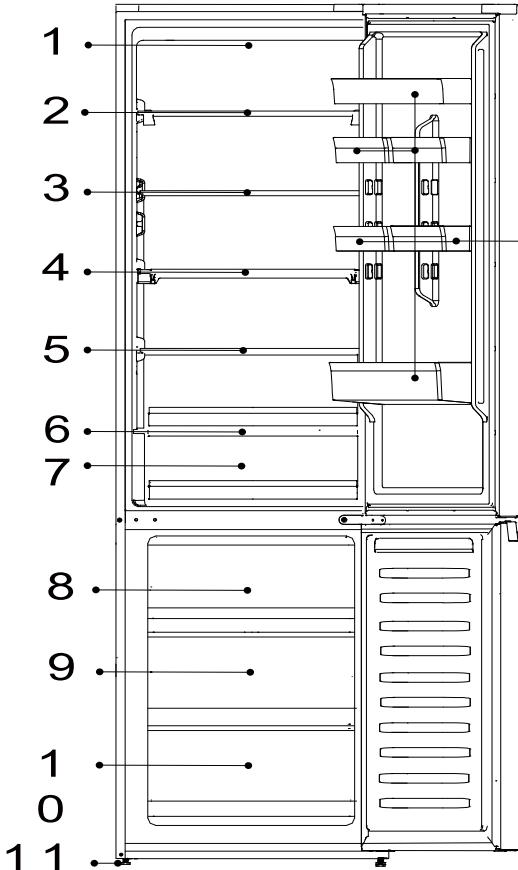
Aufgrund von technischen Änderungen und unterschiedlichen Modellen können einige der Abbildungen in dieser Anleitung von Ihrem Modell abweichen.
(HDPW5618DN*, HDPW5618CN*)



i HINWEIS

Aufgrund von technischen Änderungen und unterschiedlichen Modellen können einige der Abbildungen in dieser Anleitung von Ihrem Modell abweichen.

(HDPW3620DN*, HDPW3620CN*)

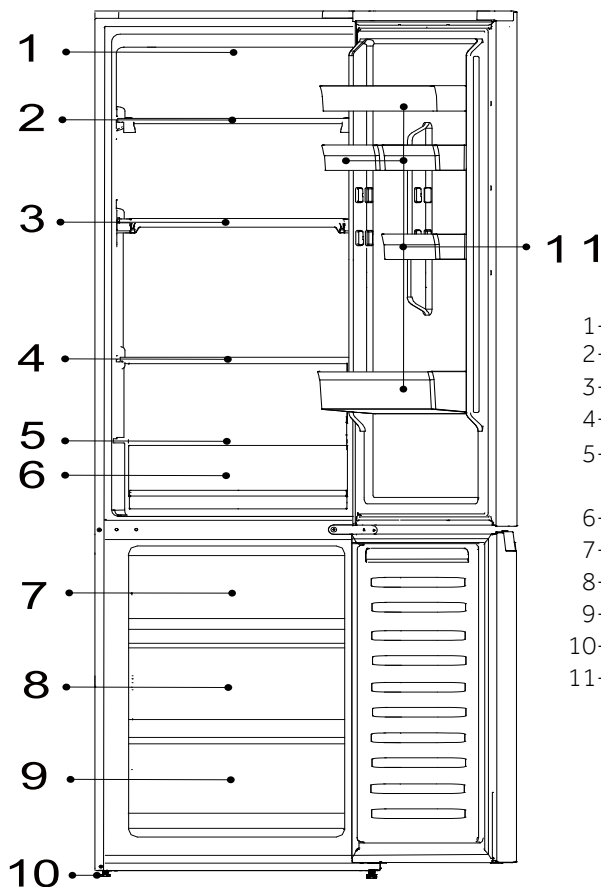


- 1-LED-Lampe für den Kühlschrank
- 2-Einlegeboden aus Glas
- 3-Einlegeboden aus Glas
- 4-Einlegeboden aus Glas
- 5-Einlegeboden aus Glas
- 6-Abdeckung für die My Zone-Schublade
- 7-My Zone-Schublade
- 8-Obere Gefrierschrank-Schublade
- 9-Ablage Gefrierfach
- 10-Untere Gefrierschrank-Schublade
- 11-Verstellbare Füße
- 12-Türfach



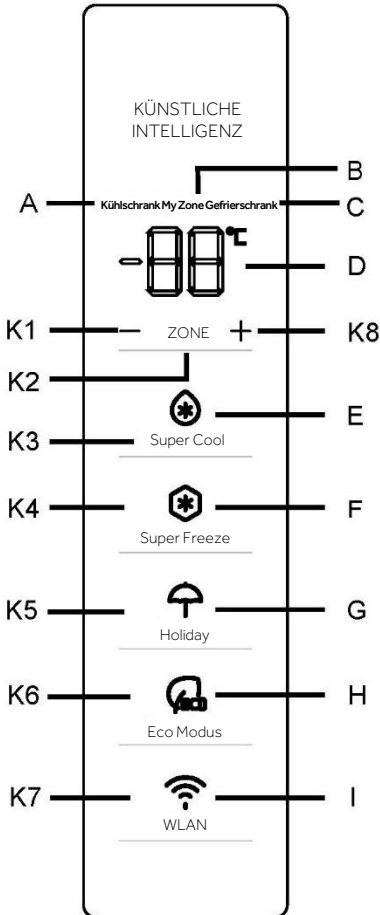
HINWEIS

Aufgrund von technischen Änderungen und unterschiedlichen Modellen können einige der Abbildungen in dieser Anleitung von Ihrem Modell (HDPW3618DN*, HDPW3618CN*)



- 1-LED-Lampe für den Kühlschrank
- 2-Einlegeboden aus Glas
- 3-Einlegeboden aus Glas
- 4-Einlegeboden aus Glas
- 5-Abdeckung für die My Zone-Schublade
- 6-My Zone-Schublade
- 7-Obere Gefrierschrank-Schublade
- 8-Ablage Gefrierfach
- 9-Untere Gefrierschrank-Schublade
- 10-Verstellbare Füße
- 11-Türfach

Bedienfeld



Anzeigen:

- A Kühlfach
- B Kühlfach (My Zone)
- C Gefrierfach
- D Temperaturanzeige
- E Super Cool-Funktion
- F Super Freeze-Funktion
- G Holiday-Funktion
- H Eco Modus-Funktion
- I WLAN-Funktion

Tasten:

- K1 Temperatur absenken
- K2 Auswahl von Kühlschrank, My Zone und Gefrierschrank
- K3 Super Cool-Funktion ein/aus
- K4 Super Freeze-Funktion ein/aus
- K5 Holiday-Funktion ein/aus
- K6 Eco Modus-Funktion ein/aus
- K7 WLAN-Funktion ein/aus
- K8 Temperatur erhöhen

Vor der ersten Inbetriebnahme

Entfernen Sie sämtliches Verpackungsmaterial, bewahren Sie es außerhalb der Reichweite von Kindern auf und entsorgen Sie es umweltfreundlich.

Reinigen Sie die Innen- und Außenseite des Geräts sowie den Innenraum und das Zubehör mit Wasser und einem milden Reinigungsmittel, und trocknen Sie es mit einem weichen Tuch gut ab.

Warten Sie, nachdem Sie den Kühlschrank ausgerichtet und gereinigt haben, mindestens 2 Stunden, bevor Sie ihn an die Stromversorgung anschließen. Siehe Abschnitt INSTALLATION.



Kühlen Sie die Fächer auf hoher Stufe vor, bevor Sie die Lebensmittel einlegen. Die Super Freeze-Funktion sorgt für eine schnelle Abkühlung des Gefrierfachs.

Sensortasten

Die Tasten auf dem Bedienfeld sind Sensortasten, die schon bei leichter Berührung mit dem Finger ansprechen.

Gerät ein-/ausschalten

Das Gerät ist sofort in Betrieb, wenn es an die Stromversorgung angeschlossen wird.

Wenn das Gerät zum ersten Mal eingeschaltet wird, zeigt die Temperaturanzeige „D“ die voreingestellten Werte an (siehe Hinweis unten).



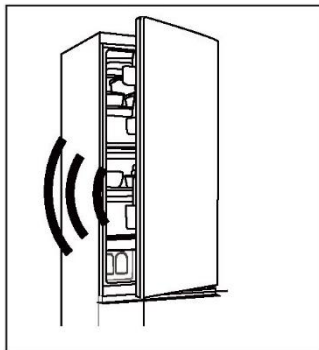
HINWEIS

Das Gerät ist auf die empfohlene Temperatur von 5 °C (Kühlschrank) und -18 °C (Gefrierschrank) voreingestellt. Die Temperatur der My Zone ist auf etwa 2 °C eingestellt. Dies sind die empfohlenen Einstellungen. Falls gewünscht, können Sie diese Temperatur manuell ändern.

Türöffnungsalarm

Wenn die Kühlschranktür länger als 3 Minuten geöffnet ist, ertönt der Türöffnungsalarm.

Der Alarm kann durch Schließen der Tür ausgeschaltet werden. Wenn die Tür länger als 7 Minuten geöffnet bleibt, schalten sich das Licht im Inneren des Kühlschranks und die Beleuchtung des Bedienfelds automatisch aus.



Temperatur einstellen

Die Temperaturen im Inneren werden durch folgende Faktoren beeinflusst:

- ▶ Umgebungstemperatur
- ▶ Häufigkeit der Türöffnung



- ▶ Menge der gelagerten Lebensmittel
- ▶ Installation des Geräts

Einstellen der Temperatur für den Kühlschrank

1. Drücken Sie die Taste „K2“ (Auswahl Kühlschrank/(My Zone)/Gefrierschrank), um das Kühlfach auszuwählen. Die Symbole „A“ (Kühlfach) und „D“ (Temperaturanzeige) leuchten.
2. Drücken Sie die Taste „K1/K8“, um die Temperatur des Kühlschranks einzustellen.
Die Temperatur steigt in Schritten von 1 °C, von mindestens 2 °C bis höchstens 8 °C. Die optimale Temperatur im Kühlschrank beträgt 5 °C. Kältere Temperaturen bedeuten unnötigen Energieverbrauch.
3. Nach etwa 5 Sekunden leuchtet das Temperatursymbol „D“ (Temperaturanzeige) dauerhaft und die Einstellung ist bestätigt.

Einstellen der Temperatur für den Gefrierschrank

1. Drücken Sie die Taste „K2“ (Auswahl Kühlschrank/(My Zone)/Gefrierschrank), um das Gefrierfach auszuwählen. Die Symbole „C“ (Gefrierfach) und „D“ (Temperaturanzeige) leuchten.
2. Drücken Sie die Taste „K1/K8“, um die Temperatur des Gefrierschranks einzustellen.
Die Temperatur steigt in Schritten von 1 °C, von mindestens -24 °C bis höchstens -16 °C. Die optimale Temperatur im Kühlschrank beträgt -18 °C. Kältere Temperaturen bedeuten unnötigen Energieverbrauch.
3. Nach etwa 5 Sekunden leuchtet das Temperatursymbol „D“ (Temperaturanzeige) dauerhaft und die Einstellung ist bestätigt.

Einstellen der Temperatur für My Zone

Der Kühlschrank ist mit einer My Zone-Schublade ausgestattet. Je nach den Anforderungen an die Lagerung von Lebensmitteln kann die am besten geeignete Temperatur gewählt werden, um den optimalen Nährwert der Lebensmittel zu erhalten.

1. Drücken Sie die Taste „K2“ (Auswahl Kühlschrank/(My Zone)/Gefrierschrank), um das My Zone-Fach auszuwählen. Die Symbole „B“ (My Zone-Fach) und „D“ (Temperaturanzeige) leuchten.
2. Drücken Sie die Taste „K1/K8“, um die Temperatur für My Zone einzustellen.
Die Temperatur steigt in Schritten von 1 °C, von mindestens 0 °C bis höchstens 5 °C.



3. Nach etwa 5 Sekunden leuchtet das Temperatursymbol „D“ (Temperaturanzeige) dauerhaft und die Einstellung ist bestätigt.

HINWEIS

1. Sie können die Temperatur des My Zone-Fachs auf die mittlere Stufe (2 °C) einstellen, um Ihre Lebensmittel bei optimalen Bedingungen zu lagern.
2. Aufgrund des unterschiedlichen Wassergehalts von Fleisch werden einige Fleischsorten mit mehr Feuchtigkeit bei Temperaturen unter 0 °C eingefroren. Daher sollte frisch aufgeschnittenes Fleisch in der My Zone-Schublade bei Temperaturen von mindestens 0 °C gelagert werden.
3. Kälteempfindliche Früchte wie Ananas, Avocados, Bananen, Grapefruits und Gemüse wie Kartoffeln, Auberginen, Bohnen, Gurken, Zucchini und Tomaten sowie Käse sollten nicht in der My Zone-Schublade gelagert werden.
4. Wenn die Kühlschranktemperatur niedriger ist als die Temperatur in der My Zone, ist es normal, dass deren Temperatur die eingestellte Temperatur unterschreitet.

HINWEIS

Wenn nach der Temperatureinstellung innerhalb von 5 Sekunden weitere Tasten gedrückt werden, wird die aktuelle Temperatureinstellung sofort bestätigt. Wenn innerhalb von 5 Sekunden keine Tastenbetätigung erfolgt, wird die aktuell eingestellte Temperatur angezeigt, bis der Bildschirm erlischt.

HINWEIS

Die Temperatur des Kühl- und Gefrierschranks und der My Zone kann über die App angepasst werden. Die Temperatur kann mit einer Empfindlichkeit von 1 °C eingestellt werden.

Super Cool-Funktion

1. Es wird empfohlen, die Super Cool-Funktion einzuschalten, wenn eine große Menge an Lebensmitteln gelagert werden soll (z. B. nach dem Einkauf). Die Super Cool-Funktion beschleunigt die Abkühlung frischer Lebensmittel und schützt die bereits gelagerte Ware vor unerwünschter Erwärmung.
2. Drücken Sie Taste „K3“ oder schalten Sie sie über die App ein; das Symbol „E“ (Super Cool-Funktion) leuchtet und die Funktion ist aktiviert.



i HINWEIS

1. Das Gerät beendet die „Super Cool-Funktion“ nach 6 Stunden oder nach Drücken der Taste „K3“, wenn das Symbol „E“ (Super Cool-Funktion) leuchtet. Wahlweise kann sie über die App ausgeschaltet werden.
2. Wenn im „Super Cool“-Modus die Temperatur des Kühlfachs eingestellt wird, blinkt das Symbol „E“ (Super Cool-Funktion), um anzuzeigen, dass dieser Vorgang nicht durchgeführt werden kann.

Super Freeze-Funktion

1. Frische Lebensmittel sollten so schnell wie möglich bis zum Kern eingefroren werden. So bleiben der beste Nährwert, das Aussehen und der Geschmack erhalten. Die Super Freeze-Funktion beschleunigt das Einfrieren frischer Lebensmittel und schützt die bereits gelagerte Ware vor unerwünschter Erwärmung. Wenn Sie einmal eine große Menge an Lebensmitteln einfrieren müssen, empfiehlt es sich, die Super Freeze-Funktion bereits 24 Stunden vorher zu aktivieren.
2. Drücken Sie Taste „K4“ (Einstellung der Super Freeze-Funktion) oder schalten Sie sie über die App ein; das Symbol „F“ (Super Freeze-Funktion) leuchtet und die Funktion ist aktiviert.

i HINWEIS

1. Das Gerät beendet die „Super Freeze-Funktion“ nach 50 Stunden oder nach Drücken der Taste „K4“, wenn das Symbol „F“ (Super Freeze-Funktion) leuchtet. Wahlweise kann sie über die App ausgeschaltet werden.
2. Wenn im „Super Freeze“-Modus die Temperatur des Gefrierfachs eingestellt wird, blinkt das Symbol „F“ (Super Freeze-Funktion), um anzuzeigen, dass dieser Vorgang nicht durchgeführt werden kann.

Holiday-Funktion

Die Holiday-Funktion kann verwendet werden, um den Energieverbrauch des Geräts zu reduzieren, wenn es nicht regelmäßig benutzt wird. Wenn die Funktion eingeschaltet ist, wird der Kühlschrank ausgeschaltet, während der Gefrierschrank normal weiterarbeitet. Die Funktion stellt die Kühlschranktemperatur dauerhaft auf 17 °C ein.

So kann die Tür des leeren Kühlschranks auch bei längerer Abwesenheit (z. B. im Urlaub) geschlossen bleiben, ohne dass Geruch oder Schimmel entsteht. Das Gefrierfach kann nach Bedarf eingestellt werden.



1. Drücken Sie die Taste „K5“ (Holiday-Funktion ein/aus) oder wählen Sie die Funktion in der App aus; das Symbol „G“ (Holiday-Funktion) leuchtet und die Funktion ist aktiviert.
2. Die Funktion kann durch erneutes Drücken der Taste „K5“ (Holiday-Funktion ein/aus), Einstellen der Kühlschranktemperatur, durch eine andere Eingabe oder durch Ausschalten über die App deaktiviert werden.

HINWEIS

1. Während die Holiday-Funktion aktiviert ist, sollten keine Lebensmittel im Kühlschrank gelagert werden. Die Temperatur von 17 °C ist für die Lagerung von Lebensmitteln zu hoch.
2. Wenn die Holiday-Funktion aktiviert ist, bleibt das Symbol der My Zone aus und die Kühlschrankfunktion ist gesperrt. Wenn die Temperatur des Kühlschranks dennoch eingestellt wird, blinkt das Symbol „G“ (Holiday-Funktion), um anzuzeigen, dass dieser Vorgang nicht durchgeführt werden kann.

Eco Modus-Funktion

Der Eco Modus kann aktiviert werden, um die Leistung des Geräts zu optimieren und gleichzeitig die beste Lagerung von Lebensmitteln zu erreichen. Wenn Sie keine besonderen Anforderungen an die Lagerung haben, empfehlen wir Ihnen, den Eco Modus zu verwenden.


In diesem Modus beträgt die Kühlschranktemperatur 5 °C und die Gefrierschranktemperatur -18 °C.

1. Drücken Sie die Taste „K6“ (Eco Modus-Funktion ein/aus) oder wählen Sie die Funktion in der App aus.
2. Das Symbol „H“ (Eco Modus-Funktion) leuchtet und die Funktion ist aktiviert. Durch Wiederholung der obigen Schritte oder Auswahl einer anderen Funktion oder Ausschalten über die App kann diese Funktion wieder ausgeschaltet werden. Die zuvor eingestellten Kühlstufen werden wiederhergestellt.


HINWEIS

Wenn während der Eco Modus-Funktion die Temperatur des Kühl-/Gefrierfachs eingestellt wird, blinkt das Symbol „H“ (Eco Modus-Funktion), um anzuzeigen, dass dieser Vorgang nicht durchgeführt werden kann.


Schritt 1 Laden Sie die hOn-App aus den Stores herunter.



Schritt 2 Erstellen Sie Ihr Konto in der hOn-App oder melden Sie sich an, wenn Sie bereits ein Konto haben.



Schritt 3 Folgen Sie den Kopplungsanweisungen in der hOn-App.



WLAN-Funktion

1. Folgen Sie den Anweisungen in der App, um die WLAN-Funktion zu konfigurieren.
2. Sobald sie konfiguriert und die Verbindung hergestellt ist, leuchtet das WLAN-Symbol „I“ permanent.
3. Wenn die WLAN-Funktion bereits konfiguriert wurde, wird die Verbindung automatisch entsprechend der Konfigurationsinformationen wiederhergestellt, sobald die WLAN-Funktion aktiviert wird.

HINWEIS

1. Um die WLAN-Funktion auszuschalten, drücken Sie die WLAN-Taste „K7“ und das WLAN-Symbol „I“ schaltet sich aus.
2. Um die WLAN-Funktion einzuschalten und die Konfiguration zu starten, drücken Sie die WLAN-Taste „K7“ und das WLAN-Symbol „I“ beginnt langsam zu blinken. Wenn Sie die WLAN-Funktion konfigurieren möchten, drücken Sie drei Sekunden lang die Taste „K7“. Das WLAN-Symbol blinkt schnell und der Konfigurationsmodus wird aktiviert. Wenn Sie die WLAN-Funktion ausschalten möchten, drücken Sie einmal die Taste „K7“. Die oben genannten Schritte werden wiederholt.
3. Wenn das Gerät konfiguriert und die WLAN-Funktion ausgeschaltet wurde, geht der Kühlschrank nicht in den Konfigurationsmodus über, nachdem er wieder an die Stromversorgung angeschlossen wird.



i HINWEIS

1. Dieses Gerät ist nicht für die kommerzielle Nutzung bestimmt.
2. Maximale HF-Ausgangsleistung: 2,4 GHz WLAN: 16 dBm.
3. Bluetooth® Low Energy: 5 dBm; Bluetooth®(BR/EDR): 10 dBm.
4. Frequenzbandbereich: 2400-2483,5 MHz.

Die Bluetooth®-Wortmarke und -Logos sind eingetragene Marken von Bluetooth SIG, Inc. und jede Verwendung dieser Marken durch Candy Hoover Group SRL erfolgt unter Lizenz. Andere Marken und Markennamen sind Eigentum ihrer jeweiligen Inhaber.

Aufbewahrung im Kühlschrank

- Halten Sie die Temperatur Ihres Kühlschranks unter 5 °C.
- Heiße Lebensmittel vor der Lagerung im Kühlschrank auf Raumtemperatur abkühlen lassen.
- Lebensmittel sollten vor der Lagerung im Kühlschrank gewaschen und abgetrocknet werden.
- Die zu lagernden Lebensmittel sollten gut verpackt und verschlossen sein, um Geruchs- oder Geschmacksveränderungen zu vermeiden.
- Lagern Sie keine übermäßigen Mengen an Lebensmitteln. Lassen Sie Zwischenräume zwischen den Lebensmitteln, damit die kalte Luft zirkulieren kann, um eine bessere und gleichmäßigere Kühlung zu erreichen.
- Lebensmittel, die täglich verzehrt werden, sollten im vorderen Teil des Einlegebodens gelagert werden.
- Lassen Sie Platz zwischen den Lebensmitteln und den Innenwänden, damit die Luft zirkulieren kann. Lagern Sie Lebensmittel niemals an der Rückwand, da sie dort festfrieren könnten. Vermeiden Sie den direkten Kontakt von Lebensmitteln (insbesondere bei öligen oder säurehaltigen Lebensmitteln) mit der Innenauskleidung, da Öl/Säure die Innenauskleidung angreifen kann.
- Reinigen Sie ölige/säurehaltige Verschmutzungen, wenn Sie sie vorfinden.
- Gefrorene Lebensmittel können im Kühlschrank schonend aufgetaut werden. Das spart Energie.
- Die Reifung von Obst und Gemüse wie Zucchini, Melonen, Papaya, Banane, Ananas usw. kann im Kühlschrank beschleunigt werden. Daher sollten sie nicht im Kühlschrank aufbewahrt werden. Die Reifung von noch grünem Obst kann im Kühlschrank jedoch auch beschleunigt werden. Zwiebeln, Knoblauch, Ingwer und anderes Wurzelgemüse sollten ebenfalls bei Raumtemperatur gelagert werden.
- Unangenehme Gerüche im Inneren des Kühlschranks sind ein Zeichen dafür, dass etwas verschüttet wurde und gesäubert werden muss. Siehe „Pflege und Reinigung“.
- Verschiedene Lebensmittel sollten entsprechend ihrer Eigenschaften an verschiedenen Stellen eingeräumt werden.

Einlagerung im Gefrierfach

- Halten Sie die Gefriertemperatur bei -18 °C.
- Schalten Sie 24 Stunden vor dem Einfrieren die Super-Freeze-Funktion ein. Für kleine Mengen an Lebensmitteln sind 4-6 Stunden ausreichend.
- Heiße Lebensmittel vor der Lagerung im Gefrierschrank auf Raumtemperatur abkühlen lassen.



- In kleine Portionen geschnittene Lebensmittel frieren schneller ein und lassen sich leichter auftauen und garen. Das empfohlene Gewicht für jede Portion beträgt höchstens 2,5 kg.
- Lebensmittel verpacken, bevor Sie sie in den Gefrierschrank legen. Die Außenseite der Verpackung muss trocken sein, um ein Zusammenkleben der Beutel zu vermeiden. Die Verpackungsmaterialien sollten geruchsfrei, luftdicht, ungiftig und ungiftig sein.
- Damit das Verfallsdatum nicht abläuft, notieren Sie sich das Einfrierdatum, das Verfallsdatum und den Namen des Lebensmittels auf der Verpackung. Unterschiedliche Lebensmittel können unterschiedlich lange gelagert werden.



WARNUNG!

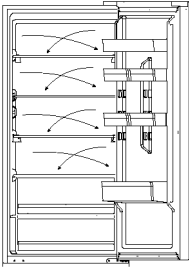
- ▶ Säuren, Laugen und Salze usw. könnten die Innenfläche des Gefriergeräts erodieren.
- ▶ Legen Sie die Lebensmittel, die diese Stoffe enthalten (z. B. Seefisch), nicht direkt auf die Innenfläche. Ausgetropftes Salzwasser im Gefrierschrank sollte sofort beseitigt werden.
- ▶ Überschreiten Sie nicht die von den Herstellern empfohlene Haltbarkeitsdauer der Lebensmittel. Nehmen Sie nur die benötigte Menge an Lebensmitteln aus dem Gefrierschrank.
- ▶ Verbrauchen Sie aufgetaute Lebensmittel schnell. Aufgetaute Lebensmittel können nicht wieder eingefroren werden, es sei denn, sie wurden erneut durchgegart. Ansonsten können sie ungenießbar sein.
- ▶ Legen Sie keine übermäßigen Mengen an frischen Lebensmitteln in das Gefrierfach. Informieren Sie sich über die Gefrierkapazität des Tiefkühlgeräts.
- Siehe TECHNISCHE DATEN oder Daten auf dem Typenschild.
- ▶ Lebensmittel können im Gefrierschrank bei einer Temperatur von mindestens -18 °C je nach Beschaffenheit 2 bis 12 Monate gelagert werden (z. B. Fleisch: 3-12 Monate, Gemüse: 6-12 Monate)
- ▶ Vermeiden Sie beim Einfrieren frischer Lebensmittel den Kontakt mit bereits gefrorenen Lebensmitteln. Es besteht die Gefahr, dass diese auftauen!

Beachten Sie bei der Lagerung von handelsüblicher Tiefkühlware diese Richtlinien:

- Befolgen Sie immer die Richtlinien der Hersteller, die angeben, wie lange die Lebensmittel aufbewahrt werden können. Überschreiten Sie diese Richtlinien nicht!
- Versuchen Sie, die Zeitspanne zwischen Einkauf und Lagerung so kurz wie möglich zu halten, um die Lebensmittelqualität zu erhalten.
- Kaufen Sie Tiefkühlkost, die bei einer Temperatur von -18 °C oder darunter gelagert wurde.
- Vermeiden Sie den Kauf von Lebensmitteln, die Eis oder Reif auf der Verpackung haben. Dies deutet darauf hin, dass die Produkte möglicherweise teilweise aufgetaut und irgendwann wieder eingefroren wurden. Temperaturerhöhungen beeinträchtigen die Qualität der Lebensmittel.

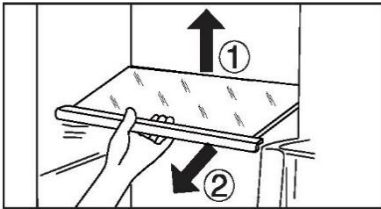
i HINWEIS

Aufgrund der unterschiedlichen Modelle verfügt Ihr Produkt möglicherweise nicht über alle der folgenden Funktionen. Bitte beachten Sie das Kapitel zur Produktbeschreibung. I.



Mehrfach-Luftstrom

Der Kühlschrank ist mit einem Mehrfach-Luftstrom-System ausgestattet, bei dem auf jeder Ebene der Einlegeböden kühle Luftströme zirkulieren. Dadurch wird eine gleichmäßige Temperatur aufrechterhalten, um sicherzustellen, dass Ihre Lebensmittel länger frisch bleiben.



Verstellbarer Einlegeboden

1. Die Höhe der Einlegeböden kann an Ihren Lagerbedarf angepasst werden.
2. Um einen Einlegeboden zu versetzen, heben Sie ihn an der Hinterkante an ① und ziehen Sie ihn heraus ②.
3. Um ihn wieder einzubauen, setzen Sie ihn auf die Träger an beiden Seiten und schieben sie ihn ganz nach hinten, bis die Rückseite des Einlegebodens in den Schlitzen an den Seiten steckt.

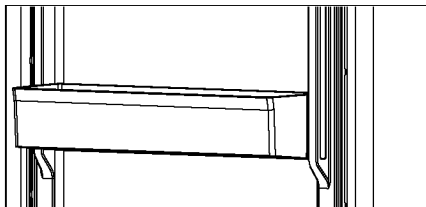
i HINWEIS

Prüfen Sie, ob alle Seiten des Einlegebodens waagrecht sind.

Abnehmbares Türfach

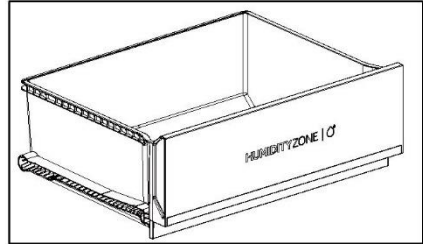
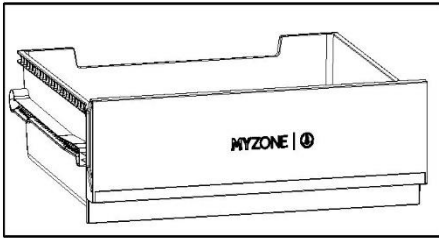
Das Türfach kann zur Reinigung abgenommen werden:

Halten Sie es dazu mit beiden Händen fest, heben Sie es nach oben (1) und ziehen Sie es heraus (2). Um das Türfach wieder einzusetzen, führen Sie die oben genannten Schritte in umgekehrter Reihenfolge durch.



My Zone-Schublade

Zur Verwendung und Einstellung des Fachs „My Zone“ lesen Sie den Abschnitt VERWENDUNG (My Zone).



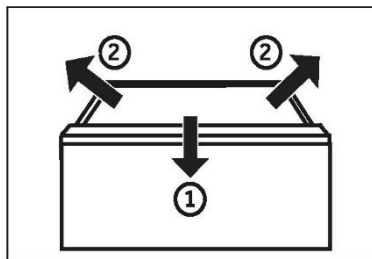
Humidity Zone-Schublade

In diesem Fach wird die Luftfeuchtigkeit automatisch vom System geregelt und es eignet sich für die Lagerung von Obst, Gemüse, Salaten usw.

Herausnehmbare Schublade

Um die Schublade aus dem Kühl- oder Gefrierfach herauszunehmen, ziehen Sie sie bis zum Anschlag heraus (1), heben sie an und nehmen sie heraus (2).

Um die Schublade wieder einzusetzen, werden die oben genannten Schritte in umgekehrter Reihenfolge durchgeführt.



Gefrierschublade

Die Gefrierschublade kann gerade und vollständig ausgezogen werden. Sie ist auf einer leichtgängigen Teleskopschiene montiert. So können Sie das Gefriergut bequem lagern und entnehmen. Durch den automatischen Türschließmechanismus ist die Handhabung einfach und Sie sparen Energie.



WARNUNG!

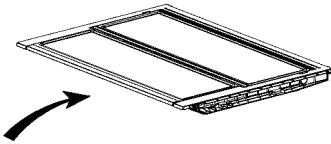
Schubladen nicht überladen: Maximale Belastung der einzelnen Schubladen: 35 kg!

Beleuchtung

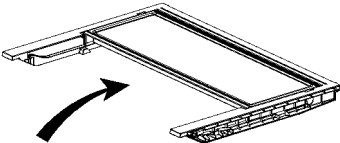
Die LED-Innenbeleuchtung leuchtet, wenn die Tür geöffnet wird. Die Leistung der LEDs wird durch keine andere Geräteeinstellung beeinflusst.

Klappbarer Einlegeboden

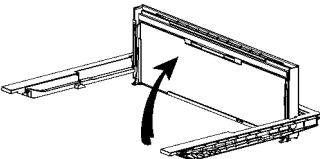
Der klappbare Einlegeboden ermöglicht es dem Benutzer, auch hohe Flaschen oder Gegenstände in den Kühlschrank stellen. Der klappbare Einlegeboden kann nach hinten geklappt werden, sodass der verfügbare Platz im unteren Einlegeboden größer wird. Der Einlegeboden lässt sich, wie in Schritt 1 bis 3 erklärt, zusammenklappen. Wenn Sie den ursprünglichen Einlegeboden wieder herstellen möchten, kehren Sie die folgenden Schritte um.



Schritt 1: Den vorderen Teil des Einlegebodens langsam bis zum Ende schieben.



Schritt 2: Den Einlegeboden langsam nach oben in die senkrechte Position schieben.



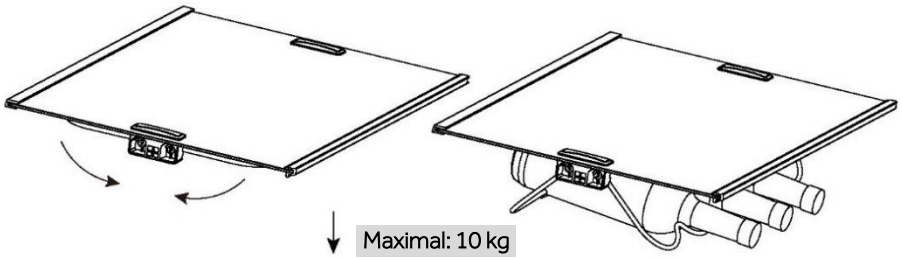
Schritt 3: Der Einlegeboden ist jetzt hochgeklappt. Das spart Platz.

Zusammenklappbares Flaschenregal

Für den normalen Gebrauch

1. Die Halterungen des Flaschenregals nach unten ziehen.
2. Die Flaschen in das Flaschenregal schieben.

Bei Nichtgebrauch kann das Flaschenregal platzsparend zurückgeklappt werden.





Energiespartipps

- ▶ Stellen Sie sicher, dass das Gerät ordnungsgemäß belüftet ist (siehe INSTALLATION).
- ▶ Stellen Sie das Gerät nicht in direktem Sonnenlicht oder in der Nähe von Hitzequellen (z. B. Herde, Heizungen) auf.
- ▶ Vermeiden Sie unnötig niedrige Temperaturen im Gerät. Der Energieverbrauch steigt mit der Verringerung der eingestellten Temperatur im Gerät.
- ▶ Funktionen wie SUPER FREEZE verbrauchen mehr Energie.
- ▶ Lassen Sie warme Mahlzeiten abkühlen, bevor Sie diese in den Kühlschrank stellen.
- ▶ Öffnen Sie die Gerätetür so wenig und so kurz wie möglich.
- ▶ Achten Sie darauf, das Gerät nicht zu überladen, um den Luftstrom nicht zu behindern.
- ▶ Vermeiden Sie Luft innerhalb der Lebensmittelverpackung.
- ▶ Halten Sie die Türdichtungen sauber, damit die Tür immer richtig schließt.
- ▶ Tauen Sie gefrorene Lebensmittel im Kühlfach auf oder verwenden Sie die D-Frost-Funktion in der My Zone-Schublade.
- ▶ Die energiesparendste Konfiguration erfordert, dass Schublade, Lebensmittelbox und Einlegeböden im Gerät so wie geliefert eingesetzt werden und die Lebensmittel so platziert werden, dass sie den Luftauslass des Kanals nicht blockieren.



WARNUNG!

Reinigung

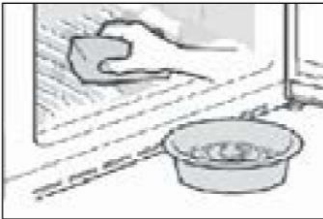
Reinigen Sie das Gerät, wenn nur wenig oder keine Lebensmittel gelagert werden.

Das Gerät sollte alle vier Wochen gereinigt werden, um eine gute Wartung zu gewährleisten und um schlechte Gerüche von gelagerten Lebensmitteln zu vermeiden.



WARNUNG!

- ▶ Reinigen Sie das Gerät nicht mit harten Bürsten, Drahtbürsten, Reinigungspulver, Benzin, Amylacetat, Aceton und ähnlichen organischen Lösungen, Säure oder Alkalilösungen. Reinigen Sie das Gerät mit einem speziellen Reinigungsmittel für Kühlgeräte, um Beschädigungen zu vermeiden.
- ▶ Das Gerät während der Reinigung nicht besprühen oder mit Wasser beschütten.
- ▶ Das Gerät nicht mit Wasser besprühen oder mit Dampf reinigen.
- ▶ Die kalten Einlegeböden aus Glas nicht mit heißem Wasser reinigen. Plötzliche Temperaturschwankungen können dazu führen, dass das Glas zerspringt.
- ▶ Berühren Sie nicht die Innenfläche des Gefrierschranks, insbesondere nicht mit nassen Händen, da Ihre Hände an der Oberfläche festfrieren könnten.
- ▶ Überprüfen Sie bei einem eventuellen Temperaturanstieg den Zustand des Gefrierguts.



- ▶ Die Türdichtung immer sauber halten.
- ▶ Reinigen Sie das Innere und das Gehäuse des Geräts mit einem Schwamm, der mit warmem Wasser und einem neutralen Reinigungsmittel angefeuchtet wurde.
- ▶ 1. Säubern Sie den Kühlschrank innen und außen, einschließlich Türdichtungen, Türablage, Glasablagen, Schubladen usw., gründlich mit einem weichen Geschirrtuch oder einem Schwamm, der in warmes Wasser eingetaucht wurde (eventuell mit etwas neutralem Reinigungsmittel im Wasser).
- ▶ 2. Wenn Flüssigkeit verschüttet wurde, nehmen Sie alle verschmutzten Teile heraus, spülen Sie sie unter fließendem Wasser ab, trocknen Sie sie ab und setzen Sie sie wieder in den Kühlschrank ein.
- ▶ 3. Bei verschütteten Milchprodukten (z. B. Sahne, schmelzendes Eis) entfernen Sie die verunreinigten Teile, legen Sie sie für eine Weile in ca. 40 °C warmes Wasser, spülen Sie sie dann unter fließendem Wasser ab, trocknen Sie sie ab und setzen Sie sie wieder in den Kühlschrank ein.
- ▶ 4. Falls ein kleines Teil oder Krümel im Inneren des Kühlschranks (zwischen die Ablagen oder Schubladen) festsitzen, lösen Sie die Verunreinigung mit einer



weichen Zahnbürste. Wenn Sie die Verunreinigung nicht entfernen konnten, wenden Sie sich bitte an den Haier-Kundendienst.

- ▶ Wischen Sie den Kühlschrank mit einem feuchten Tuch gründlich aus und trocknen Sie ihn mit einem weichen Tuch ab.
- ▶ Reinigen Sie Geräteteile nicht in einer Geschirrspülmaschine.
- ▶ Warten Sie vor dem Neustart des Geräts mindestens 5 Minuten, da ein häufiger Neustart den Kompressor beschädigen kann.

Abtauen

Das Abtauen des Kühl- und Gefrierschranks erfolgt automatisch; eine manuelle Bedienung ist nicht erforderlich.

Austausch der LED-Leuchten



WARNUNG!

Wechseln Sie die LED nicht selbst. Sie darf nur vom Hersteller oder von einem autorisierten Service-Mitarbeiter ausgetauscht werden.

Die Leuchte nutzt als Lichtquelle eine LED mit geringem Energieverbrauch und langer Lebensdauer. Bei Anomalien wenden Sie sich bitte an den Kundenservice. Siehe KUNDENSERVICE.

Parameter der Leuchte:

Teil	LED-Lampe
Spannung	12 V
max. Leistung	1,5 W
LED-Spezifikation	Weiß-2835
LED-Effizienzklasse	G
Verwendungstemperatur	-40-80 °C

Nichtverwendung für einen längeren Zeitraum

Wenn das Gerät über einen längeren Zeitraum nicht benutzt wird und Sie die Holiday-Funktion für den Kühlschrank nicht verwenden:

Nehmen Sie die Lebensmittel heraus.

Ziehen Sie das Netzkabel ab.

Reinigen Sie das Gerät wie oben beschrieben.

Lassen Sie die Türen auf, um die Bildung von schlechten Gerüchen zu verhindern.

HINWEIS

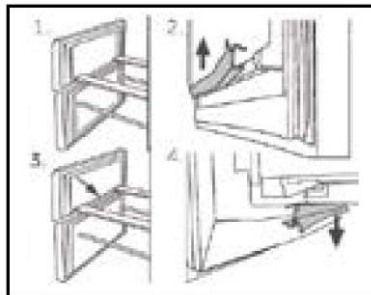
Schalten Sie das Gerät nur aus, wenn es unbedingt nötig ist.

Abnehmbare, zusätzliche Türdichtungen

An den oberen und unteren Gefrierschubladen befinden sich sechs zusätzliche Türdichtungen.

1. Suchen Sie die fünf angegebenen Türdichtungen an den oberen und unteren Gefrierschubladen.
2. Achten Sie beim Anbringen darauf, dass die gebogenen Stellen der Dichtungen nach innen zeigen.
3. Bringen Sie die untere Dichtung der oberen Schublade wie gezeigt an.
4. Achten Sie darauf, dass der gebogene Teil dieser Dichtung beim Anbringen nach unten zeigt.

Diese zusätzlichen Dichtungen sowie die Drehtür-/Schubladen-Dichtungen erhalten Sie über den Kundendienst (siehe Garantiekarte).



Verstellen des Geräts

1. Nehmen Sie alle Lebensmittel heraus und ziehen Sie den Gerätestecker aus der Steckdose.
2. Fixieren Sie die Einlegeböden und andere bewegliche Teile im Kühlschrank und im Gefrierschrank mit Klebeband.
3. Den Kühlschrank um maximal 45° kippen, um eine Beschädigung des Kühlsystems zu vermeiden.



WARNUNG!

- ▶ Heben Sie das Gerät nicht an seinen Griffen an.
- ▶ Stellen Sie das Gerät niemals waagrecht auf den Boden.



Viele auftretende Probleme können von Ihnen selbst ohne spezifische Fachkenntnisse gelöst werden. Bei Problemen prüfen Sie bitte alle angezeigten Möglichkeiten und befolgen Sie die nachstehenden Anweisungen, bevor Sie einen Kundendienst kontaktieren. Siehe KUNDENSERVICE.



WARNUNG!

- ▶ Schalten Sie das Gerät vor der Wartung aus und ziehen Sie den Netzstecker aus der Steckdose.
- ▶ Elektrische Geräte sollten nur von qualifizierten Fachelektrikern repariert werden, da unsachgemäße Reparaturen erhebliche Folgeschäden verursachen können.
- ▶ Eine beschädigte Lieferung sollte nur vom Hersteller, von seinem Service-Mitarbeiter oder einer gleichwertig qualifizierten Person ausgetauscht werden, um jegliches Risiko zu vermeiden.

Tabelle zur Fehlerbehebung

Problem	Mögliche Ursache	Mögliche Behebung
Der Kompressor funktioniert nicht.	Der Netzstecker ist nicht an die Steckdose angeschlossen.	Den Netzstecker anschließen.
	Das Gerät befindet sich im Abtauzyklus.	Dies ist normal für eine automatische Abtaugung.
Das Gerät läuft häufig oder zu lange.	Die Innen- oder Außentemperatur ist zu hoch.	In diesem Fall ist es normal, dass das Gerät länger läuft.
	Das Gerät wurde über einen längeren Zeitraum ausgeschaltet.	Normalerweise dauert es 8 bis 12 Stunden, bis das Gerät vollständig abgekühlt ist.
	Eine Tür/Schublade wurde nicht richtig geschlossen.	Die Tür/Schublade schließen und sicherstellen, dass das Gerät auf einem ebenen Untergrund steht und dass keine Lebensmittel oder Behälter gegen die Tür stoßen.
	Die Tür/Schublade wurde zu häufig oder zu lange geöffnet.	Tür/Schublade nicht zu häufig öffnen.
	Die Temperatur für den Gefrierschrank ist zu niedrig.	Die Temperatur höher einstellen, bis eine zufriedenstellende Kühlschranktemperatur erreicht ist. Es dauert 24 Stunden, bis sich die Temperatur im Kühlschrank stabilisiert hat.
	Die Tür-/Schubladendichtungen sind verschmutzt, verschlissen, gerissen oder verrutscht.	Die Tür-/Schubladendichtungen reinigen oder vom Kundenservice ersetzen lassen.
Die erforderliche Luftzirkulation ist nicht gewährleistet.	Für eine ausreichende Belüftung sorgen.	

Problem	Mögliche Ursache	Mögliche Behebung
Das Innere des Kühlschranks ist schmutzig beziehungsweise übelriechend.	Das Innere des Kühlschranks muss gereinigt werden.	Das Innere des Kühlschranks reinigen.
	Lebensmittel mit starkem Geruch werden im Kühlschrank gelagert.	Lebensmittel sorgfältig einpacken.
Das Innere des Geräts ist nicht kalt genug.	Die Temperatur ist zu hoch eingestellt.	Die Temperatur zurücksetzen.
	Es wurden zu warme Lebensmittel gelagert.	Lebensmittel vor dem Lagern immer abkühlen lassen.
	Es wurden zu viele Lebensmittel auf einmal hineingelegt.	Nur kleinere Mengen an Lebensmitteln neu hineinlegen.
	Die Lebensmittel liegen zu dicht beieinander.	Zwischen mehreren Lebensmitteln einen Abstand lassen, damit die Luft zirkulieren kann.
	Eine Tür/Schublade wurde nicht richtig geschlossen.	Die Tür/Schublade schließen.
	Die Tür/Schublade wurde zu häufig oder zu lange geöffnet.	Tür/Schublade nicht zu häufig öffnen.
Das Innere des Geräts ist zu kalt.	Die Temperatur ist zu niedrig eingestellt.	Die Temperatur zurücksetzen.
	Die Super Freeze-Funktion ist aktiviert oder läuft zu lange.	Die Super Freeze-Funktion ausschalten.
Feuchtigkeitsbildung im Innern des Kühlfachs.	Das Klima ist zu warm und zu feucht.	Die Temperatur erhöhen.
	Eine Tür/Schublade wurde nicht richtig geschlossen.	Die Tür/Schublade schließen.
	Die Tür/Schublade wurde zu häufig oder zu lange geöffnet.	Tür/Schublade nicht zu häufig öffnen.
	Lebensmittelbehälter oder Flüssigkeiten werden offen gelassen.	Heiße Speisen auf Raumtemperatur abkühlen lassen und Speisen und Flüssigkeiten abdecken.
Feuchtigkeit sammelt sich außen am Kühlschrank oder zwischen der Tür oder den Türen und der Schublade.	Das Klima ist zu warm und zu feucht.	Das ist bei feuchtem Klima normal und ändert sich, wenn die Feuchtigkeit abnimmt.
	Die Tür/Schublade ist nicht richtig geschlossen.	Prüfen Sie, ob die Tür/Schublade fest geschlossen ist.
Starke Eisbildung und Frost im Gefrierfach.	Die Lebensmittel sind nicht angemessen verpackt.	Die Lebensmittel immer gut.
	Die Tür/Schublade wurde zu häufig oder zu lange geöffnet.	Tür/Schublade nicht zu häufig öffnen.
	Die Tür-/Schubladendichtungen sind verschmutzt, verschlissen, gerissen oder verrutscht.	Die Tür-/Schubladendichtungen reinigen oder austauschen.
	Etwas im Inneren verhindert, dass die Tür/Schublade richtig schließt.	Die Einlegeböden, Türfächer oder Behälter so versetzen, dass die Tür/Schublade richtig schließt.



Problem	Mögliche Ursache	Mögliche Behebung
Das Gerät macht anormale Geräusche.	Das Gerät steht nicht auf einem ebenen Untergrund.	Die FüÙe entsprechend einstellen, um das Gerät zu nivellieren.
	Das Gerät berührt einige Gegenstände um es herum.	Die Gegenstände um das Gerät herum entfernen.
Es ist ein leichtes Geräusch zu hören, ähnlich wie dem von fließendem Wasser.	Das ist normal.	/
Sie hören einen Signalton.	Die Kühlschrantür ist offen.	Die Tür oder schließen oder den Alarm manuell ausschalten.
Ein leises Summen ist zu hören.	Das Antikondensationssystem arbeitet.	Dies verhindert Kondensation und ist normal.
Die Innenbeleuchtung oder das Kühlsystem funktioniert nicht.	Der Netzstecker ist nicht an die Steckdose angeschlossen.	Den Netzstecker anschließen.
	Die Stromversorgung ist nicht intakt.	Die Stromversorgung des Raums überprüfen. Den örtlichen Stromversorger anrufen!
	Die LED-Leuchte ist defekt.	Den Kundenservice kontaktieren, um die Leuchte auszutauschen.
Die Seitenwände des Geräts und die Türleiste werden warm.	Das ist normal.	/
Es kommt kein Wasser aus dem Auslauf des Wasserspenders.	Die Sperre ist nicht deaktiviert.	Die Sperre deaktivieren.



Stromunterbrechung

- ▶ Bei Stromausfall sollten die gelagerten Lebensmittel noch 13 Stunden lang kalt bleiben. Beachten Sie diese Tipps bei einer längeren Stromunterbrechung, insbesondere im Sommer.
- ▶ Legen Sie während eines Stromausfalls keine weiteren Lebensmittel in das Gerät.
- ▶ Wenn der Stromausfall vorher angekündigt wurde und die Unterbrechungsdauer länger als 13 Stunden ist, frieren Sie im Voraus ein paar Eiswürfel oder Kühlakkus ein, und legen Sie diese beim Stromausfall oben in das Kühlfach.
- ▶ Prüfen Sie nach dem Stromausfall direkt, ob die Lebensmittel verdorben sind.
- ▶ Da die Temperatur im Kühlschrank während einer Stromunterbrechung oder eines anderen Fehlers ansteigt, werden die Haltbarkeit und die Qualität der Lebensmittel reduziert. Aufgetaute Lebensmittel sollten entweder verzehrt oder gekocht und (sofern geeignet) gleich danach wieder eingefroren werden, um Gesundheitsrisiken zu vermeiden.



HINWEIS

Speicherfunktion bei Stromunterbrechung

Nach Wiederherstellung der Stromversorgung fährt das Gerät mit den Einstellungen fort, die vor dem Stromausfall eingestellt waren.

Um den technischen Kundendienst zu kontaktieren, besuchen Sie unsere Website: <https://corporate.haier-eu-ropo.com/en/>

Wählen Sie im Abschnitt „Website“ die Marke Ihres Produkts und Ihr Land aus. Sie werden auf die entsprechende Website weitergeleitet, auf der Sie die Telefonnummer und andere Möglichkeiten der Kontaktaufnahme mit dem technischen Kundendienst finden.

Auspacken



WARNUNG!

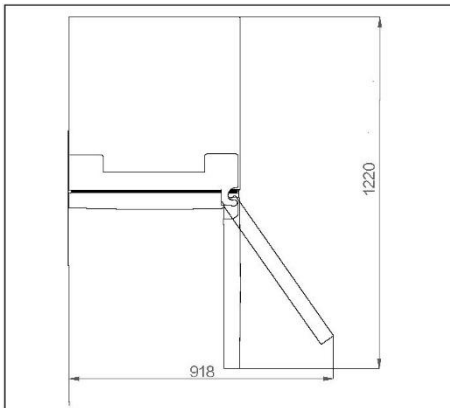
- ▶ Das Gerät ist schwer. Transportieren oder bewegen Sie es immer mit mindestens zwei Personen.
- ▶ Bewahren Sie sämtliche Verpackungsmaterialien außerhalb der Reichweite von Kindern auf und entsorgen Sie sie umweltfreundlich.
- ▶ Nehmen Sie das Gerät aus der Verpackung.
- ▶ Entfernen Sie alle Verpackungsmaterialien.

Umgebungsbedingungen

Die Raumtemperatur sollte immer zwischen 10 °C und 43 °C liegen, da sie die Temperatur im Inneren des Geräts und dessen Energieverbrauch beeinflussen kann. Das Gerät nicht in der Nähe anderer wärmeemittierender Geräte (Ofen, Kühlschränke) installieren.

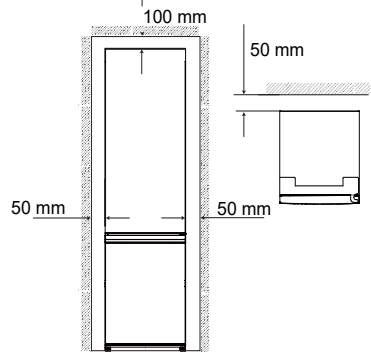
Empfohlener Abstand

Empfohlener Abstand beim Öffnen der Tür.



Empfohlener Platzbedarf für eine ausreichende Belüftung

Um aus Sicherheitsgründen für eine ausreichende Belüftung des Geräts zu sorgen, empfehlen wir die Einhaltung des empfohlenen Platzbedarfs.

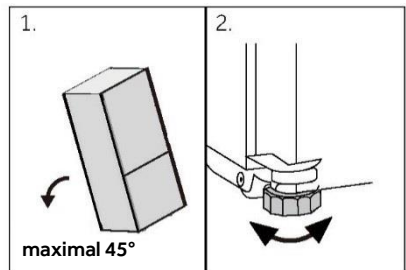


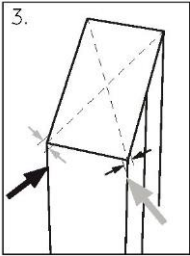
Geräteausrichtung

Das Gerät sollte auf einer flachen und festen Oberfläche aufgestellt werden.

1. Kippen Sie den Kühlschrank leicht nach hinten.
2. Die Stellfüße auf die gewünschte Höhe justieren.

Stellen Sie sicher, dass der Abstand zur Wand auf der Scharnierseite mindestens 100 mm beträgt, damit sich die Tür richtig öffnen lässt.

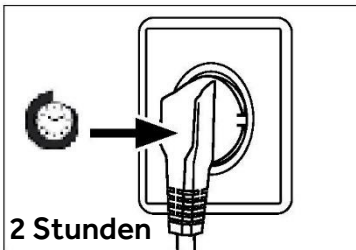




1. Die Stabilität kann durch abwechselndes Anschlagen gegen die Diagonalen überprüft werden. Das leichte Schwanken sollte in beide Richtungen gleich sein. Andernfalls kann sich der Rahmen verziehen; mögliche undichte Türdichtungen sind die Folge. Eine geringe Neigung nach hinten erleichtert das Schließen der Türen.

i HINWEIS

Für ein frei stehendes Gerät: Dieses Kühlgerät ist nicht zur Verwendung als Einbaugerät bestimmt.



Wartezeit

Das wartungsfreie Schmieröl befindet sich in der Kapsel des Kompressors. Dieses Öl kann beim Transport durch das geschlossene Rohrsystem gelangen, wenn das Gerät gekippt wird. Warten Sie mindestens 2 Stunden, bevor Sie das Gerät an die Stromversorgung anschließen, damit das Öl wieder in die Kapsel zurückfließt.

Elektrischer Anschluss

Stellen Sie vor jedem Anschluss sicher, dass:

- ▶ die Stromversorgung, Steckdose und Sicherung den Angaben auf dem Typenschild entsprechen.
- ▶ die Steckdose geerdet ist und kein Mehrfachstecker oder Verlängerungskabel vorhanden ist.
- ▶ der Netzstecker und die Steckdose richtig zusammenpassen.

Schließen Sie den Stecker an eine ordnungsgemäß installierte Haushaltssteckdose an.

! WARNUNG!

Um Gefahren zu vermeiden, muss ein beschädigtes Netzkabel vom Kundenservice ausgetauscht werden (siehe Garantiekarte).



Umkehrbarkeit der Tür

Bevor Sie das Gerät an die Stromversorgung anschließen, sollten Sie prüfen, ob der Türanschlag von rechts (nach der Lieferung) nach links gewechselt werden muss, wenn der Installationsort und die Nutzbarkeit dies erfordern.

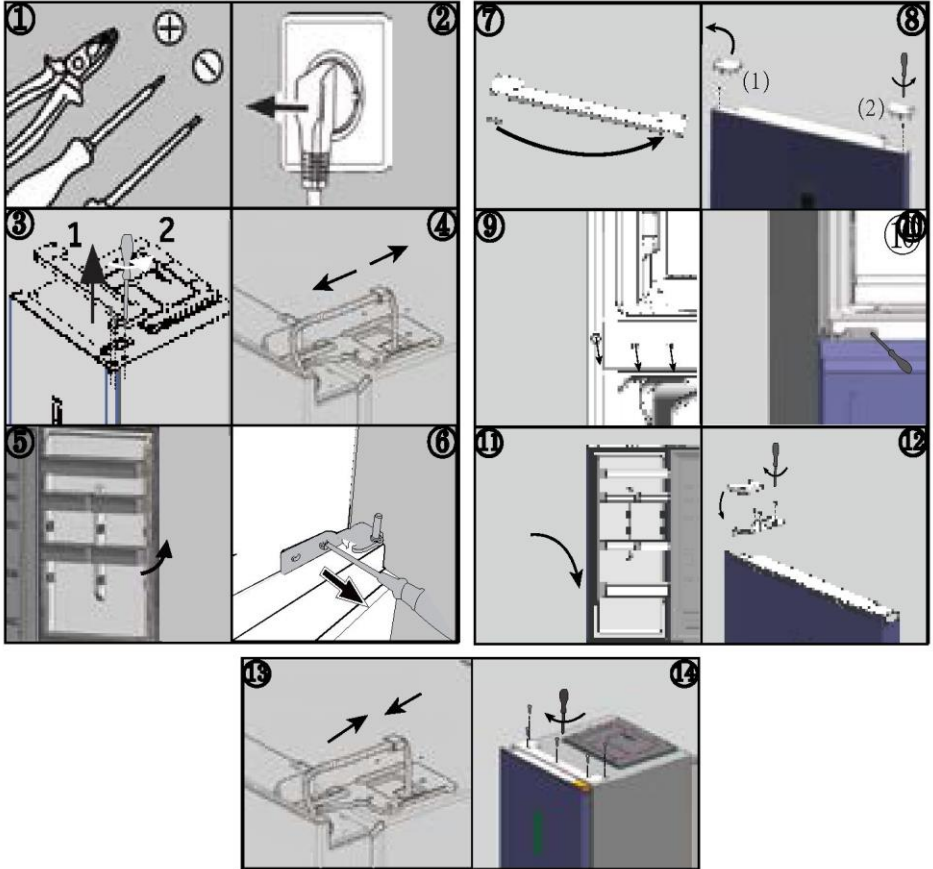


WARNUNG!

- ▶ Das Gerät ist schwer. Sie benötigen zwei Personen, um die Umkehrbarkeit der Tür zu ändern.
- ▶ Vor dem Eingriff müssen Sie zuerst den Gerätestecker aus der Steckdose ziehen.
- ▶ Das Gerät nicht um mehr als 45 ° kippen, um Schäden am Kühlsystem zu vermeiden.

Montageschritte

1. Das notwendige Werkzeug bereitstellen.
 2. Ziehen Sie den Netzstecker des Geräts.
 3. Entfernen Sie die obere Scharnierabdeckung 1 und schrauben Sie das obere Scharnier (drei Schrauben) auf der rechten Seite 2 ab.
 4. Ziehen Sie das Anschlusskabel ab.
 5. Heben Sie die lose Kühlschranktür vorsichtig aus dem mittleren Scharnier.
 6. Entfernen Sie das mittlere Scharnier.
 7. Setzen Sie die kleine Abdeckung der Frontblende von links nach rechts.
 8. Drehen Sie die Tür auf den Kopf und schrauben Sie die Abdeckung (1) ab. Nehmen Sie die neue Abdeckung (2) aus dem mitgelieferten Beutel und schrauben Sie sie auf der gegenüberliegenden Seite fest.
 9. Ändern Sie die Positionen der Blindstopfen und der Schraube an der Seite.
 10. Schrauben Sie das mittlere Scharnier an der linken Seite des Geräts fest. Achten Sie darauf, den Drehpunkt des mittleren Scharniers umzudrehen, um sicherzustellen, dass die Seite mit der Dichtung nach oben zeigt.
 11. Heben Sie die obere Tür vorsichtig am mittleren Scharnier an. Achten Sie darauf, dass der Zapfen in den Scharnierzylinder der unteren Tür passt.
 12. Nehmen Sie das neue obere Scharnier und die Scharnierabdeckung aus der Zubehörtasche. Führen Sie das Anschlusskabel durch das obere Scharnier und befestigen Sie das obere Scharnier mit den drei Schrauben auf der linken Seite des Geräts. Setzen Sie dann die Scharnierabdeckung auf.
 13. Stecken Sie das Anschlusskabel ein.
 14. Setzen Sie die vordere Abdeckung wieder auf und befestigen Sie sie mit fünf Schrauben.
- Prüfen Sie nach dem Austausch der Tür, ob die Türdichtungen richtig am Gehäuse sitzen und alle Schrauben gut angezogen sind.



Umgebungstemperaturen

Subnormal: Dieses Kühlgerät ist für die Verwendung bei einer Umgebungstemperatur zwischen 10 °C und 32 °C ausgelegt.

Normal: Dieses Kühlgerät ist für die Verwendung bei einer Umgebungstemperatur zwischen 16 °C und 32 °C ausgelegt.

Subtropisch: Dieses Kühlgerät ist für die Verwendung bei einer Umgebungstemperatur zwischen 16 °C und 38 °C ausgelegt.

Tropisch: Dieses Kühlgerät ist für die Verwendung bei einer Umgebungstemperatur zwischen 16 °C und 43 °C ausgelegt.



Produktparameter gemäß der Verordnung (EU) 2019/2016

Basierend auf Standard-Testergebnissen für 24 Stunden. Der tatsächliche Energieverbrauch hängt davon ab, wie das Gerät verwendet wird und wo es steht.

Modell	HTW5618DN*	HTW5620DN*	HTW5618EN*
Typ des Kühlgeräts	Kühl-Gefrierkombination	Kühl-Gefrierkombination	Kühl-Gefrierkombination
Energieeffizienzklasse	D	D	E
Jährlicher Energieverbrauch (kWh/Jahr)	217	226	271
Volumen Kühlfach (L)	201	255	201
Volumen Gefrierfach (L)	125	125	125
Volumen Kaltlagerfach (L)	34	34	34
Klasse des Gefrierschranks	4-Sterne	4-Sterne	4-Sterne
Art der Abtaugung	Automatisches Abtauen	Automatisches Abtauen	Automatisches Abtauen
Temperaturanstiegszeit (h)	13	13	11
Gefrierleistung (kg/24h)	10,0	10,0	10,0
Klimaklasse	SN.N.ST.T	SN.N.ST.T	SN.N.ST.T
Geräuschemissionsklasse und Luftschallemissionen (db(A) re 1pW)	B (35)	B (35)	B (35)



Modell	HTW5618CN*	HTW5620CN*	HTW5620EN*
Typ des Kühlgeräts	Kühl-Gefrierkombination	Kühl-Gefrierkombination	Kühl-Gefrierkombination
Energieeffizienzklasse	C	C	E
Jährlicher Energieverbrauch (kWh/Jahr)	173	181	283
Volumen Kühlfach (L)	201	255	255
Volumen Gefrierfach (L)	125	125	125
Volumen Kaltlagerfach (L)	34	34	34
Klasse des Gefrierschranks	4-Sterne	4-Sterne	4-Sterne
Art der Abtaugung	Automatisches Abtauen	Automatisches Abtauen	Automatisches Abtauen
Temperaturanstiegszeit (h)	13	13	11
Gefrierleistung (kg/24h)	10,0	10,0	10,0
Klimaklasse	SN.N.ST.T	SN.N.ST.T	SN.N.ST.T
Geräuschemissionsklasse und Luftschallemissionen (db(A) re 1pW)	B (35)	B (35)	B (35)



Modell	HDPW5618DN*	HDPW5620DN*	HDPW3620DN*
Typ des Kühlgeräts	Kühl-Gefrierkombination	Kühl-Gefrierkombination	Kühl-Gefrierkombination
Energieeffizienzklasse	D	D	D
Jährlicher Energieverbrauch (kWh/Jahr)	214	220	220
Volumen Kühlfach (L)	201	255	255
Volumen Gefrierfach (L)	117	117	117
Volumen Kaltlagerfach (L)	34	34	34
Klasse des Gefrierschranks	4-Sterne	4-Sterne	4-Sterne
Art der Abtaugung	Automatisches Abtauen	Automatisches Abtauen	Automatisches Abtauen
Temperaturanstiegszeit (h)	13	13	13
Gefrierleistung (kg/24h)	10,0	10,0	10,0
Klimaklasse	SN.N.ST.T	SN.N.ST.T	SN.N.ST.T
Geräuschemissionsklasse und Luftschallemissionen (db(A) re 1pW)	B (35)	B (35)	B (35)



Modell	HDPW4618DN*	HDPW4620DN*	HTW3620DN*
Typ des Kühlgeräts	Kühl-Gefrierkombination	Kühl-Gefrierkombination	Kühl-Gefrierkombination
Energieeffizienzklasse	D	æ	D
Jährlicher Energieverbrauch (kWh/Jahr)	214	287	226
Volumen Kühlfach (L)	201	255	255
Volumen Gefrierfach (L)	117	117	125
Volumen Kaltlagerfach (L)	34	34	34
Klasse des Gefrierschranks	4-Sterne	4-Sterne	4-Sterne
Art der Abtaugung	Automatisches Abtauen	Automatisches Abtauen	Automatisches Abtauen
Temperaturanstiegszeit (h)	13	13	13
Gefrierleistung (kg/24h)	10,0	10,0	10,0
Klimaklasse	SN.N.ST.T	SN.N.ST.T	SN.N.ST.T
Geräuschemissionsklasse und Luftschallemissionen (db(A) re 1pW)	B (35)	B (35)	B (35)



Modell	HDPW5618CN*	HDPW5620CN*	HDPW5620AN*
Typ des Kühlgeräts	Kühl-Gefrierkombination	Kühl-Gefrierkombination	Kühl-Gefrierkombination
Energieeffizienzklasse	C	C	A
Jährlicher Energieverbrauch (kWh/Jahr)	171	176	114
Volumen Kühlfach (L)	201	255	255
Volumen Gefrierfach (L)	117	117	120
Volumen Kaltlagerfach (L)	34	34	34
Klasse des Gefrierschranks	4-Sterne	4-Sterne	4-Sterne
Art der Abtauung	Automatisches Abtauen	Automatisches Abtauen	Automatisches Abtauen
Temperaturanstiegszeit (h)	13	13	16
Gefrierleistung (kg/24h)	10,0	10,0	10,0
Klimaklasse	SN.N.ST.T	SN.N.ST.T	SN.N.ST.T
Geräuschemissionsklasse und Luftschallemissionen (dB(A) re 1 pW)	B (35)	B (35)	B (35)



Zusätzliche technische Daten

Modell	HTW5618DN*	HTW5618EN*	HTW5620DN*
Gesamtvolumen (L)	360	360	414
Spannung/ Frequenz	220-240 V/50 Hz	220-240 V/50 Hz	220-240 V/50 Hz
Eingangsstrom (A)	1,4	1,4	1,4
Hauptsicherung (A)	16	16	16
Kältemittel	R600a(53 g)	R600a(53 g)	R600a(53 g)
Abmessungen (B/T/H in mm)	595*667*1850	595*667*1850	595*667*2050

Modell	HTW5618CN*	HTW5620CN*	HTW5620EN*
Gesamtvolumen (L)	360	414	414
Spannung/ Frequenz	220~240V/50Hz	220~240V/50Hz	220~240V/50Hz
Eingangsstrom (A)	1,4	1,4	1,4
Hauptsicherung (A)	15	15	16
Kältemittel	R600a(50g)	R600a(50g)	R600a(53g)
Abmessungen (B/T/H in mm)	595*667*1850	595*667*2050	595*667*2050



Modell	HDPW5618DN*	HDPW5620DN*	HDPW3620DN*
Gesamtvolumen (L)	352	406	406
Spannung/ Frequenz	220~240V/50Hz	220~240V/50Hz	220~240V/50Hz
Eingangsstrom (A)	1.4	1.4	1.4
Hauptsicherung (A)	16	16	16
Kältemittel	R600a(53g)	R600a(53g)	R600a(53g)
Abmessungen (B/T/H in mm)	595*667*1850	595*667*2050	595*667*2050

Modell	HDPW5618CN*	HDPW5620CN*	HDPW5620AN*
Gesamtvolumen (L)	352	406	409
Spannung/ Frequenz	220-240 V/50 Hz	220-240 V/50 Hz	220-240 V/50 Hz
Eingangsstrom (A)	1,4	1,4	1,4
Hauptsicherung (A)	15	15	15
Kältemittel	R600a(50 g)	R600a(50 g)	R600a(50 g)
Abmessungen (B/T/H in mm)	595*667*1850	595*667*2050	595*667*2050



Modell	HDPW5618CN*	HDPW5620CN*	HDPW5620AN*
Gesamtvolumen (L)	352	406	409
Spannung/ Frequenz	220~240V/50Hz	220~240V/50Hz	220~240V/50Hz
Eingangsstrom (A)	1.4	1.4	1.4
Hauptsicherung (A)	15	15	16
Kältemittel	R600a(50g)	R600a(50g)	R600a(50g)
Abmessungen (B/T/H in mm)	595*667*1850	595*667*2050	595*667*2050



Wir empfehlen unseren Haier Kundendienst und die Verwendung von Original-Ersatzteilen.

Wenn Sie Probleme mit dem Gerät haben, lesen Sie bitte zuerst den Abschnitt „FEHLERBEHEBUNG“.

Wenn Sie dort keine Lösung finden, wenden Sie sich bitte an

- ▶ Ihren Händler vor Ort oder
- ▶ an unser Europäisches Call-Service-Center (siehe unten aufgeführte Telefonnummern) oder
- ▶ an den Service und Support unter www.haier.com, wo Sie den Service aktivieren können.
- ▶ Hier finden Sie auch die FAQs.

Um unseren Kundendienst zu kontaktieren, stellen Sie sicher, dass Sie die folgenden Daten zur Hand haben.

Die Informationen finden Sie auf dem Typenschild.

Modell _____

Seriennummer _____

Prüfen Sie im Garantiefall auch die mit dem Produkt mitgelieferte Garantiekarte.

Europäisches Call-Service-Center		
Land*	Telefonnummer	Kosten
Haier Italy (IT)	199 100 912	
Haier Spain (ES)	902 509 123	
Haier Germany (DE)	0180 5 39 39 99	<ul style="list-style-type: none"> • 14 Ct/Min Festnetz • max. 42 Ct/Min Mobil
Haier Austria (AT)	0820 001 205	<ul style="list-style-type: none"> • 14,53 Ct/Min Festnetz • max. 20 Ct/Min alle anderen
Haier United Kingdom (UK)	0333 003 8122	
Haier France (FR)	0980 406 409	



* Weitere Informationen finden Sie unter www.haier.com

Haier Europe Trading S.r.l

Niederlassung UK

Westgate House, Westgate, Ealing

London, W5 1YY

*Gewährleistungsdauer des Kühlgeräts:

Die Mindestgarantie beträgt: 2 Jahre für EU-Länder, 3 Jahre für die Türkei, 1 Jahr für Großbritannien, 1 Jahr für Russland, 3 Jahre für Schweden, 2 Jahre für Serbien, 5 Jahre für Norwegen, 1 Jahr für Marokko, 6 Monate für Algerien, Tunesien keine gesetzliche Gewährleistung erforderlich.

*Der Zeitraum für die Beschaffung von Ersatzteilen für die Reparatur des Geräts:

Thermostate, Temperatursensoren, Leiterplatten und Leuchtmittel sind für einen Zeitraum von mindestens sieben Jahren nach Inverkehrbringen des letzten Gerätes des Modells erhältlich.

Türgriffe, Türscharniere, Ablagen und Schubladen für eine Mindestdauer von sieben Jahren und Türdichtungen für eine Mindestdauer von 10 Jahren, nachdem das letzte Gerät des Modells in Verkehr gebracht wurde.

*Weitere Informationen zum Produkt finden Sie unter <https://eprel.ec.europe.eu/> oder scannen Sie den QR-Code auf dem Energielabel, das dem Gerät beiliegt.



Haier

2023 Fassung A



0060534356

<u>143 Πληροφορίες ασφαλείας</u>	Πριν από την πρώτη χρήση	144
	Εγκατάσταση	144
	Καθημερινή χρήση	145
<u>148 Προβλεπόμενη χρήση</u>		
<u>149 Περιγραφή προϊόντος</u>		
<u>153 Πίνακας ελέγχου</u>		
<u>154 Χρήση</u>	Ρύθμιση θερμοκρασίας του ψυγείου	155
	Ρύθμιση θερμοκρασίας του καταψύκτη	155
	Ρύθμιση θερμοκρασίας My Zone	155
	Λειτουργία Super Cool	156
	Λειτουργία Super Freeze	157
<u>162 Εξοπλισμός</u>		
<u>166 Συμβουλές εξοικονόμησης ενέργειας</u>		
<u>167 Φροντίδα και καθαρισμός</u>		
<u>170 Αντιμετώπιση προβλημάτων</u>		
<u>174 Εγκατάσταση</u>		
<u>178 Τεχνικά δεδομένα</u>		
<u>184 Εξυπηρέτηση πελατών</u>		



• Κάντε κλικ στα περιεχόμενα για να δείτε λεπτομερείς πληροφορίες.



Ευχαριστούμε που αγοράσατε ένα προϊόν Haier.

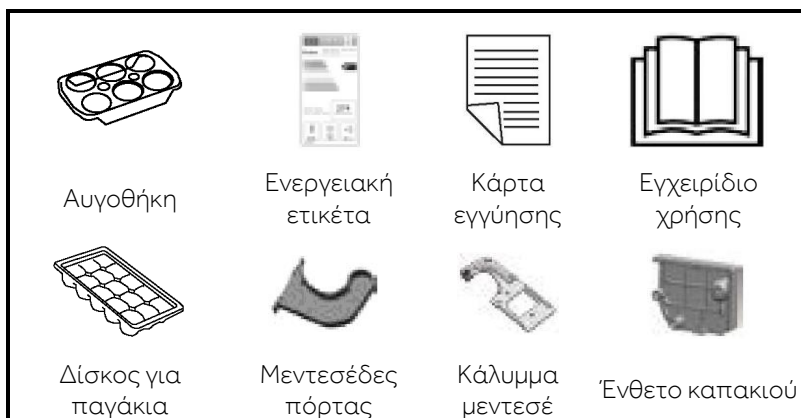
Παρακαλούμε διαβάστε προσεκτικά αυτές τις οδηγίες πριν από την χρήση αυτής της συσκευής. Οι οδηγίες περιέχουν σημαντικές πληροφορίες που θα σας βοηθήσουν να αξιοποιήσετε στο έπακρο τη συσκευή και να εξασφαλίσετε την ασφάλη και σωστή εγκατάσταση, χρήση και συντήρηση.

Φυλάξτε αυτό το εγχειρίδιο σε μια προσβάσιμη θέση, ώστε να μπορείτε πάντα να ανατρέξετε σε αυτό για την ασφαλή και σωστή χρήση της συσκευής.

Εάν πουλήσετε τη συσκευή, την χαρίσετε ή την αφήσετε πίσω όταν μετακομίσετε από το σπίτι, βεβαιωθείτε ότι έχετε αφήσει επίσης και αυτό το εγχειρίδιο, ώστε ο νέος ιδιοκτήτης να εξοικειωθεί με τη συσκευή και τις προειδοποιήσεις ασφαλείας.

Εξαρτήματα

Ελέγξτε τα εξαρτήματα και τη βιβλιογραφία σύμφωνα με αυτόν τον κατάλογο:





ΠΡΟΕΙΔΟΠΟΙΗΣΗ - Σημαντικές πληροφορίες ασφαλείας



ΠΑΡΑΤΗΡΗΣΗ-Γενικές πληροφορίες και συμβουλές



Περιβαλλοντικές πληροφορίες



Απόρριψη

Βοήθεια και συμβολή στην προστασία του περιβάλλοντος και της ανθρώπινης υγείας. Τοποθετήστε τη συσκευασία σε κατάλληλα δοχεία για την ανακύκλωση της. Συμβολή στην ανακύκλωση των αποβλήτων ηλεκτρικών και ηλεκτρονικών συσκευών. Συσκευές που φέρουν αυτό το σύμβολο μην τις απορρίπτετε μαζί με τα οικιακά απορρίμματα. Επιστρέψτε το προϊόν στην τοπική μονάδα ανακύκλωσης ή επικοινωνήστε με το αρμόδιο δημοτικό γραφείο του Δήμου σας.



ΠΡΟΕΙΔΟΠΟΙΗΣΗ!

Κίνδυνος τραυματισμού ή ασφυξίας!

Τα ψυκτικά μέσα και τα αέρια πρέπει να απορρίπτονται επαγγελματικά. Βεβαιωθείτε ότι οι σωληνώσεις του κυκλώματος ψυκτικού μέσου δεν έχουν υποστεί ζημιά πριν από την κατάλληλη απόρριψη. Αποσυνδέστε τη συσκευή από την παροχή ρεύματος. Κόψτε το καλώδιο τροφοδοσίας και απορρίψτε το. Αφαιρέστε τους δίσκους και τα συρτάρια, καθώς και τα αλιεύματα και τις σφραγίδες της πόρτας, για να αποτρέψετε τα παιδιά και τα κατοικίδια ζώα να κλείσουν στη συσκευή.



Διαβάστε τις παρακάτω υποδείξεις ασφαλείας πριν ενεργοποιήσετε τη συσκευή για πρώτη φορά:



ΠΡΟΕΙΔΟΠΟΙΗΣΗ!

Πριν από την πρώτη χρήση

- ▶ Βεβαιωθείτε ότι δεν υπάρχει ζημιά εξαιτίας της μεταφοράς.
- ▶ Αφαιρέστε όλες τις συσκευασίες και κρατήστε τις μακριά από τα παιδιά.
- ▶ Περιμένετε τουλάχιστον δύο ώρες πριν τοποθετήσετε τη συσκευή για να βεβαιωθείτε ότι το κύκλωμα του ψυκτικού είναι πλήρως αποτελεσματικό.
- ▶ Χειριστείτε τη συσκευή πάντοτε με δύο άτομα τουλάχιστον, διότι είναι βαριά.

Εγκατάσταση

- ▶ Η συσκευή πρέπει να τοποθετηθεί σε καλά αεριζόμενο μέρος. Βεβαιωθείτε ότι υπάρχει χώρος τουλάχιστον 10 εκατοστών πάνω και γύρω από τη συσκευή.
- ▶ Μην τοποθετείτε ποτέ τη συσκευή σε υγρή περιοχή ή θέση όπου μπορεί να πιτσιλιστεί ή βραχεί με νερό. Καθαρίστε και ξύστε τις ξεραμένες πιτσιλιές νερού και λεκέδες με ένα μαλακό καθαρό πανί.
- ▶ Μην εγκαθιστάτε τη συσκευή σε σημείο με άμεσο ηλιακό φως ή κοντά σε πηγές θερμότητας (π.χ. σόμπες, θερμαντήρες).
- ▶ Εγκαταστήστε και τοποθετήστε τη συσκευή σε μια περιοχή κατάλληλη για το μέγεθος και τη χρήση της.
- ▶ Διατηρείτε τα ανοίγματα εξαερισμού στη συσκευή ή την ενσωματωμένη δομή ελεύθερα εμποδίων.
- ▶ Βεβαιωθείτε ότι οι ηλεκτρολογικές πληροφορίες στην πινακίδα τύπου συμφωνούν με την αντίστοιχη παροχή ρεύματος. Εάν όχι, επικοινωνήστε με έναν ηλεκτρολόγο.
- ▶ Η συσκευή λειτουργεί με τροφοδοσία 220-240 VAC / 50 Hz. Η μη φυσιολογική διακύμανση της τάσης μπορεί να προκαλέσει την αποτυχία εκκίνησης της συσκευής ή ζημιά στον έλεγχο θερμοκρασίας ή τον συμπιεστή ή μπορεί να υπάρχει ανώμαλος θόρυβος κατά τη λειτουργία. Στην περίπτωση αυτή, πρέπει να τοποθετηθεί ένας αυτόματος ρυθμιστής.
- ▶ Μη χρησιμοποιείτε προσαρμογείς πολλαπλών θέσεων (πολύπριζα) και καλώδια επέκτασης / προέκτασης.
- ▶ Μην τοποθετείτε πολλαπλές φορητές πρίζες ή φορητά τροφοδοτικά στο πίσω μέρος της συσκευής.
- ▶ Βεβαιωθείτε ότι το καλώδιο τροφοδοσίας δεν έχει παγιδευτεί από το ψυγείο. Μην πατάτε το καλώδιο τροφοδοσίας.



ΠΡΟΕΙΔΟΠΟΙΗΣΗ!

- ▶ Χρησιμοποιήστε μια ξεχωριστή γειωμένη πρίζα για την παροχή ηλεκτρικού ρεύματος, η οποία να είναι εύκολα προσβάσιμη. Αυτή η συσκευή πρέπει να είναι γειωμένη.

Μόνο για το Ηνωμένο Βασίλειο: Το καλώδιο τροφοδοσίας της συσκευής είναι εξοπλισμένο με βύσμα 3-καλωδίων (με γείωση) που ταιριάζει σε μια τυπική πρίζα 3-καλωδίων (πρίζα με γείωση). Ποτέ μην κόβετε ή αποσυναρμολογείτε τον τρίτο πείρο (γείωση). Μετά την εγκατάσταση της συσκευής, το βύσμα πρέπει να είναι άμεσα προσβάσιμο.

- ▶ Αποφύγετε την πρόκληση ζημιών στο κύκλωμα ψύξης.

Καθημερινή χρήση

- ▶ Η συσκευή αυτή μπορεί να χρησιμοποιηθεί από παιδιά ηλικίας 8 ετών και άνω και από άτομα με μειωμένες σωματικές, αισθητηριακές ή διανοητικές ικανότητες ή έλλειψη εμπειρίας και γνώσης, εφόσον βρίσκονται υπό εποπτεία ή εάν τους έχουν δοθεί σαφείς οδηγίες σχετικά με τη χρήση της συσκευής με ασφαλή τρόπο και έχουν κατανοήσει επακριβώς τους σχετικούς κινδύνους.
- ▶ Τα παιδιά ηλικίας 3 έως 8 ετών επιτρέπεται να τοποθετούν και να βγάζουν (αντικείμενα) από τις ψυκτικές συσκευές, αλλά δεν επιτρέπεται να τις καθαρίζουν ή να τις εγκαθιστούν.
- ▶ Κρατήστε μακριά τα παιδιά κάτω των 3 ετών από τη συσκευή, εκτός εάν επιβλέπονται συνεχώς.
- ▶ Τα παιδιά δεν επιτρέπεται να παίζουν με τη συσκευή.
- ▶ Εάν υπάρχει διαρροή ψυκτικού αερίου ή άλλου εύφλεκτου αερίου κοντά στη συσκευή, κλείστε τη βαλβίδα του αερίου που διαρρέει, ανοίξτε τις πόρτες και τα παράθυρα και μην αποσυνδέσετε ή συνδέσετε το καλώδιο τροφοδοσίας του ψυγείου ή οποιασδήποτε άλλης συσκευής.
- ▶ Σημειώστε ότι η συσκευή έχει ρυθμιστεί για λειτουργία σε συγκεκριμένο εύρος θερμοκρασίας περιβάλλοντος μεταξύ 10 και 43°C. Η συσκευή ενδέχεται να μη λειτουργεί σωστά εάν αφηθεί για μεγάλο χρονικό διάστημα σε θερμοκρασία υψηλότερη ή χαμηλότερη από το υποδεικνυόμενο εύρος τιμών.
- ▶ Μην τοποθετείτε ασταθή αντικείμενα (βαριά αντικείμενα, δοχεία γεμάτα με νερό) στο πάνω μέρος του ψυγείου, για να αποφύγετε τραυματισμούς από πτώση ή ηλεκτροπληξία από επαφή με νερό.
- ▶ Μην τραβάτε τα ράφια των θυρών της πόρτας. Η πόρτα μπορεί να βγει από τη θέση της, η σχάρα για τα μπουκάλια μπορεί να τραβηχτεί μακριά ή η συσκευή μπορεί να ανατραπεί.
- ▶ Ανοίγετε και κλείνετε την πόρτα μόνο από τις λαβές. Το κενό ανάμεσα στις πόρτες και ανάμεσα στις πόρτες και το ντουλάπι είναι πολύ στενό. Μην βάζετε τα χέρια σας σε αυτές τις περιοχές για να αποφύγετε να πιαστούν (μαγκωθούν) τα δάκτυλά σας. Ανοίξτε ή κλείστε τις πόρτες ψυγείου μόνο όταν δεν υπάρχουν παιδιά που να στέκονται εντός του εύρους κίνησης της πόρτας.



ΠΡΟΕΙΔΟΠΟΙΗΣΗ!

- ▶ Μην αποθηκεύετε και μην χρησιμοποιείτε εύφλεκτα, εκρηκτικά ή διαβρωτικά υλικά εντός ή εγγύς της συσκευής.
- ▶ Μην αποθηκεύετε φάρμακα, βακτήρια ή χημικούς παράγοντες στη συσκευή. Αυτή η συσκευή είναι μια οικιακή συσκευή. Δεν συνιστάται η αποθήκευση υλικών που απαιτούν αυστηρές θερμοκρασίες.
- ▶ Ποτέ μην αποθηκεύετε υγρά σε φιάλες ή δοχεία (πέραν των αλκοολούχων υψηλού βαθμού) και ιδιαίτερα ανθρακούχα αναψυκτικά στον καταψύκτη καθώς θα διαρραγούν κατά την ψύξη.
- ▶ Ελέγξτε την κατάσταση των τροφίμων εάν έχουν προηγηθεί συνθήκες θέρμανσης στον καταψύκτη.
- ▶ Μην ορίσετε άσκοπα χαμηλή θερμοκρασία στον θάλαμο του ψυγείου. Οι αρνητικές θερμοκρασίες μπορεί να εμφανιστούν σε υψηλές ρυθμίσεις. Προσοχή: Τα μπουκάλια μπορούν να σκάσουν
- ▶ Μην αγγίζετε κατεψυγμένα προϊόντα με βρεγμένα χέρια (φοράτε γάντια). Ειδικά μην πιείτε (τρώτε) γρανίτες αμέσως μετά την αφαίρεση από τον θάλαμο κατάψυξης. Υπάρχει ο κίνδυνος κατάψυξης ή σχηματισμός φουσκάλων παγετού. ΠΡΩΤΕΣ βοήθειες: κρατήστε αμέσως κάτω από τρεχούμενο κρύο νερό. Μην τις τραβάτε μακριά!
- ▶ Μην αγγίζετε την εσωτερική επιφάνεια του χώρου αποθήκευσης του καταψύκτη όταν λειτουργείτε, ειδικά με βρεγμένα χέρια, καθώς τα χέρια σας μπορεί να παγώσουν στην επιφάνεια.
- ▶ Αποσυνδέστε τη συσκευή από την πρίζα σε περίπτωση διακοπής ρεύματος ή πριν από τον καθαρισμό. Αφήστε τουλάχιστον 7 λεπτά πριν από την επανεκκίνηση της συσκευής, καθώς η συχνή εκκίνηση μπορεί να προκαλέσει ζημιά στον συμπιεστή.
- ▶ Μη χρησιμοποιείτε ηλεκτρικές συσκευές στο εσωτερικό των θαλάμων αποθήκευσης τροφίμων της συσκευής, εκτός αν είναι συσκευές που συνιστά ο κατασκευαστής. Συντήρηση / καθαρισμός
- ▶ Βεβαιωθείτε ότι τα παιδιά επιβλέπονται εάν πραγματοποιούν καθαρισμό και συντήρηση.
- ▶ Αποσυνδέστε τη συσκευή από την ηλεκτρική τροφοδοσία πριν πραγματοποιήσετε οποιαδήποτε συντήρηση ρουτίνας. Αφήστε τουλάχιστον 5 λεπτά πριν από την επανεκκίνηση της συσκευής, καθώς η συχνή εκκίνηση μπορεί να προκαλέσει ζημιά στον συμπιεστή.



ΠΡΟΕΙΔΟΠΟΙΗΣΗ!

- ▶ Κρατήστε το φιλτράρισμα, όχι το καλώδιο, όταν αποσυνδέετε τη συσκευή.
- ▶ Μην καθαρίζετε τη συσκευή με σκληρές βούρτσες, συρμάτινες βούρτσες, σκόνη απορρυπαντικού, βενζίνη, οξικό αμύλιο, ακετόνη και παρόμοια οργανικά διαλύματα, όξινα ή αλκαλικά διαλύματα. Καθαρίστε με ειδικό απορρυπαντικό ψυγείου για να αποφύγετε ζημιές.
- ▶ Μην ξύσετε τον δροσοπάγο και τον πάγο με αιχμηρά αντικείμενα. Μην χρησιμοποιείτε σπρέι, ηλεκτρικούς θερμαντήρες όπως θερμαντήρα, στεγνωτήρα μαλλιών, ατμοκαθαριστές ή άλλες πηγές θερμότητας για να αποφύγετε ζημιές στα πλαστικά μέρη.
- ▶ Μην χρησιμοποιείτε μηχανικές συσκευές ή άλλα μέσα για να επιταχύνετε τη διαδικασία απόψυξης, παρά μόνο όσα συνιστώνται από τον κατασκευαστή.
- ▶ Αν το καλώδιο παροχής ρεύματος έχει φθαρεί πρέπει να αντικατασταθεί από τον κατασκευαστή ή τον αντιπρόσωπο του σέρβις ή παρόμοια εξουσιοδοτημένα πρόσωπα, προς αποφυγή του κινδύνου.
- ▶ Μην προσπαθήσετε να επισκευάσετε, να αποσυναρμολογήσετε ή να τροποποιήσετε τη συσκευή μόνοι σας. Σε περίπτωση επισκευής επικοινωνήστε με την εξυπηρέτηση πελατών μας.
- ▶ Εξαλείψτε τη σκόνη στο πίσω μέρος της μονάδας τουλάχιστον μία φορά το χρόνο για να αποφύγετε τον κίνδυνο από πυρκαγιά, καθώς και την αυξημένη κατανάλωση ενέργειας.
- ▶ Μην ψεκάζετε ή ξεπλένετε τη συσκευή κατά τον καθαρισμό.
- ▶ Μην χρησιμοποιείτε σπρέι νερού ή ατμό για να καθαρίσετε τη συσκευή.
- ▶ Μην καθαρίζετε τα κρύα γυάλινα ράφια με ζεστό νερό. Η απότομη αλλαγή θερμοκρασίας μπορεί να προκαλέσει το σπάσιμο του γυαλιού.

Πληροφορίες για τα ψυκτικά αέρια



ΠΡΟΕΙΔΟΠΟΙΗΣΗ!

Η συσκευή περιέχει το εύφλεκτο ψυκτικό μέσο ΙΣΟΒΟΥΤΑΝΙΟ (R600a). Βεβαιωθείτε ότι το κύκλωμα ψυκτικού δεν έχει υποστεί ζημιά κατά τη μεταφορά ή την εγκατάσταση. Η διαρροή ψυκτικού μπορεί να προκαλέσει τραυματισμούς στα μάτια ή ανάφλεξη. Εάν έχει προκληθεί ζημιά, κρατήστε το μακριά από ακάλυπτες πηγές φωτιάς, αερίστε καλά το δωμάτιο, μην συνδέσετε ή αποσυνδέσετε τα καλώδια τροφοδοσίας της συσκευής ή οποιασδήποτε άλλης συσκευής. Ενημερώστε την εξυπηρέτηση πελατών.

Σε περίπτωση που τα μάτια έρθουν σε επαφή με το ψυκτικό μέσο, ξεπλένετε τα αμέσως κάτω από τρεχούμενο νερό και καλέστε αμέσως τον οφθαλμίατρο.



Προβλεπόμενη χρήση

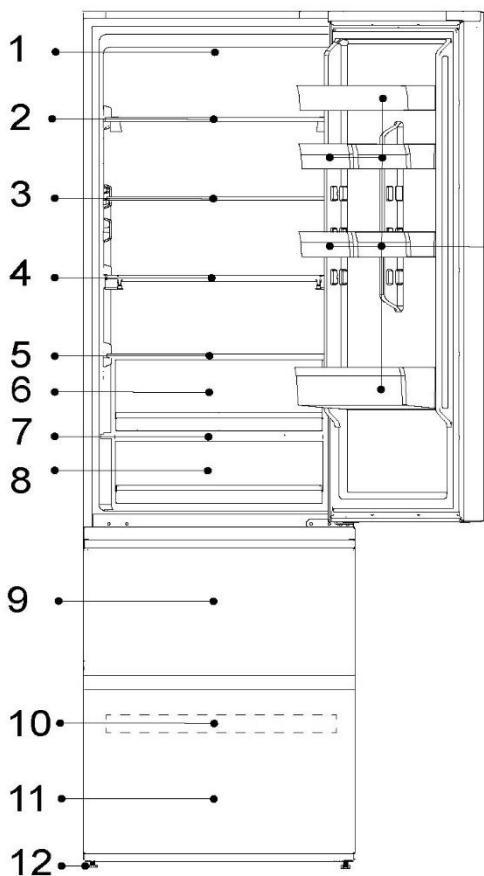
Αυτή η συσκευή προορίζεται για ψύξη και κατάψυξη τροφίμων. Έχει σχεδιαστεί αποκλειστικά για χρήση σε οικιακές και παρόμοιες εφαρμογές, όπως χώρους κουζίνας προσωπικού σε καταστήματα, γραφεία και άλλα εργασιακά περιβάλλοντα- αγροτικές και από πελάτες σε ξενοδοχεία, μοτέλ και άλλα περιβάλλοντα οικιστικού τύπου, καθώς και σε ξενοδοχειακές επιχειρήσεις bed-and-breakfast και catering. Δεν προορίζεται για εμπορική ή βιομηχανική χρήση. Δεν επιτρέπονται αλλαγές ή τροποποιήσεις στη συσκευή. Η μη προβλεπόμενη χρήση μπορεί να προκαλέσει κινδύνους και απώλεια αξιώσεων εγγύησης.

Πρότυπα και οδηγίες **CE**

Αυτό το προϊόν πληροί τις απαιτήσεις όλων των εφαρμοστέων οδηγιών της ΕΚ με τα αντίστοιχα εναρμονισμένα πρότυπα, τα οποία προβλέπονται για την σήμανση CE.

i ΕΙΔΟΠΟΪΗΣΗ

Λόγω τεχνικών αλλαγών και διαφορετικών μοντέλων, ορισμένες από τις απεικονίσεις σε αυτό το εγχειρίδιο ενδέχεται να διαφέρουν από το μοντέλο σας. (HTW5620EN*, HTW5620DN*, HTW5620CN*)



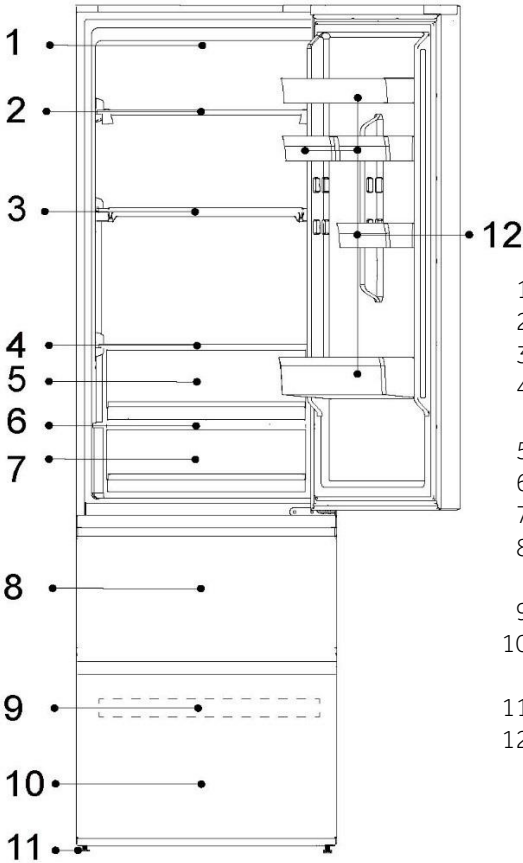
• 13

- 1-Λάμπα LED ψυγείου
- 2-Ράφι κρασιού
- 3-Γυάλινο ράφι
- 4-Πτυσσόμενο ράφι
- 5-Κάλυμμα συρταριού Humidity Zone
- 6-Συρτάρι Humidity Zone
- 7-Κάλυμμα συρταριού My Zone
- 8-Συρτάρι My Zone
- 9-Συρτάρι αποθήκευσης άνω καταψύκτη
- 10-Θήκη καταψύκτη
- 11-Συρτάρι αποθήκευσης κάτω καταψύκτη
- 12-Ρυθμιζόμενα πόδια
- 13-Ράφια πόρτας ψυγείου



i ΕΙΔΟΠΟΪΗΣΗ

Λόγω τεχνικών αλλαγών και διαφορετικών μοντέλων, ορισμένες από τις απεικονίσεις σε αυτό το εγχειρίδιο ενδέχεται να διαφέρουν από το μοντέλο σας. (HTW5618DN*, HTW5618CN*, HTW5618EN*)

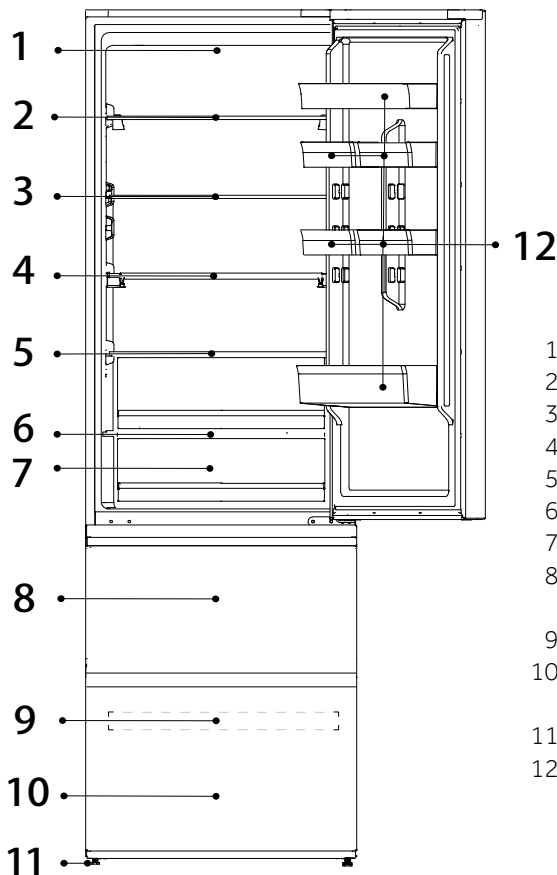


- 1-Λάμπα LED ψυγείου
- 2-Ράφι κρασιού
- 3-Πτυσσόμενο ράφι
- 4-Κάλυμμα συρταριού Humidity Zone
- 5-Συρτάρι Humidity Zone
- 6-Κάλυμμα συρταριού My Zone
- 7-Συρτάρι My Zone
- 8-Συρτάρι αποθήκευσης άνω καταψύκτη
- 9-Θήκη καταψύκτη
- 10-Συρτάρι αποθήκευσης κάτω καταψύκτη
- 11-Ρυθμιζόμενα πόδια
- 12-Ράφια πόρτας ψυγείου


ΕΙΔΟΠΟΙΗΣΗ

Λόγω τεχνικών αλλαγών και διαφορετικών μοντέλων, ορισμένες από τις απεικονίσεις σε αυτό το εγχειρίδιο ενδέχεται να διαφέρουν από το μοντέλο σας.

(HTW3620EN*, HTW3620DN*, HTW3620CN*)



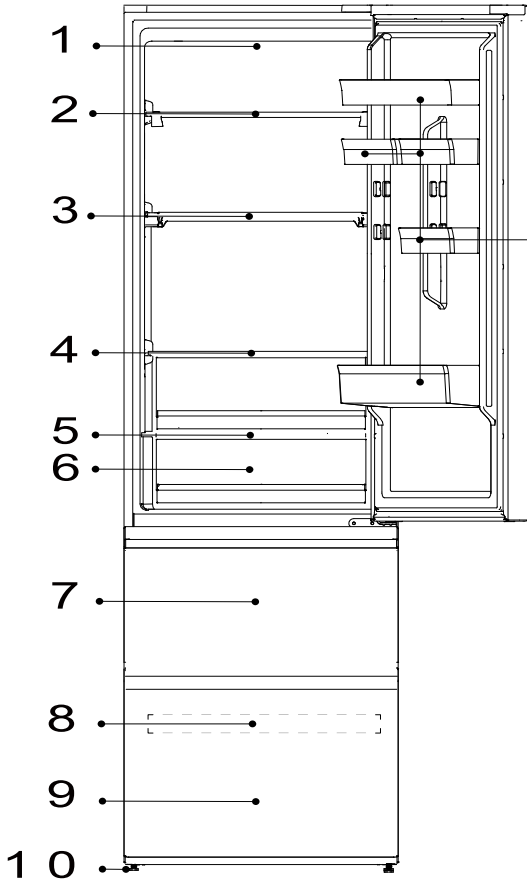
- 1-Λάμπα LED ψυγείου
- 2-Γυάλινο ράφι
- 3-Γυάλινο ράφι
- 4-Γυάλινο ράφι
- 5-Γυάλινο ράφι
- 6-Κάλυμμα συρταριού My Zone
- 7-Συρτάρι My Zone
- 8-Συρτάρι αποθήκευσης άνω καταψύκτη
- 9-Θήκη καταψύκτη
- 10-Συρτάρι αποθήκευσης κάτω καταψύκτη
- 11-Ρυθμιζόμενα πόδια
- 12-Ράφια πόρτας ψυγείου



ΕΙΔΟΠΟΪΗΣΗ

Λόγω τεχνικών αλλαγών και διαφορετικών μοντέλων, ορισμένες από τις απεικονίσεις σε αυτό το εγχειρίδιο ενδέχεται να διαφέρουν από το μοντέλο σας.

(HTW3618EN*, HTW3618DN*, HTW3618CN*)

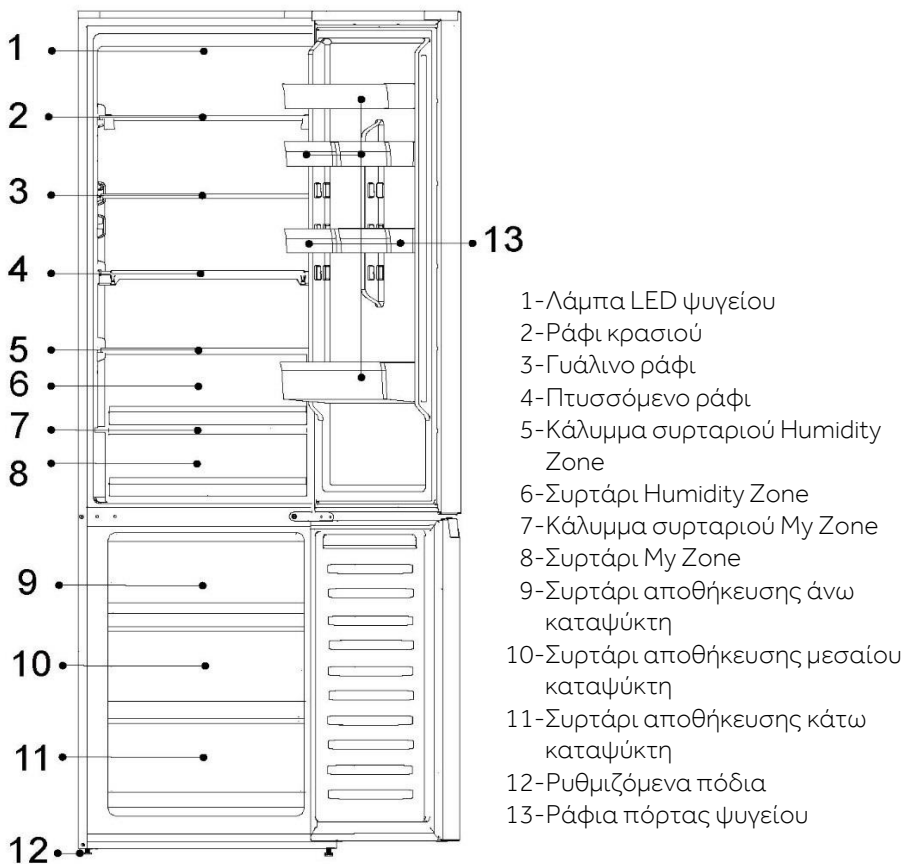


1 1

- 1-Λάμπα LED ψυγείου
- 2-Γυάλινο ράφι
- 3-Γυάλινο ράφι
- 4-Γυάλινο ράφι
- 5-Κάλυμμα συρταριού My Zone
- 6-Συρτάρι My Zone
- 7-Συρτάρι αποθήκευσης άνω καταψύκτη
- 8-Θήκη καταψύκτη
- 9-Συρτάρι αποθήκευσης κάτω καταψύκτη
- 10-Ρυθμιζόμενα πόδια
- 11-Ράφια πόρτας ψυγείου

i ΕΙΔΟΠΟΪΗΣΗ

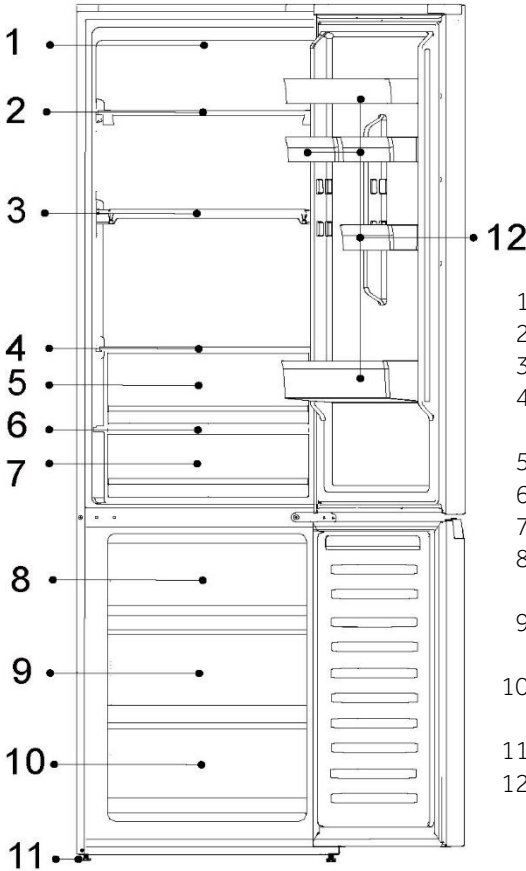
Λόγω τεχνικών αλλαγών και διαφορετικών μοντέλων, ορισμένες από τις απεικονίσεις σε αυτό το εγχειρίδιο ενδέχεται να διαφέρουν από το μοντέλο σας. (HDPW5620DN*, HDPW5620CN*, **HDPW5620BN***, HDPW5620AN*)





i ΕΙΔΟΠΟΪΗΣΗ

Λόγω τεχνικών αλλαγών και διαφορετικών μοντέλων, ορισμένες από τις απεικονίσεις σε αυτό το εγχειρίδιο ενδέχεται να διαφέρουν από το μοντέλο σας. (HDPW5618DN*, HDPW5618CN*)



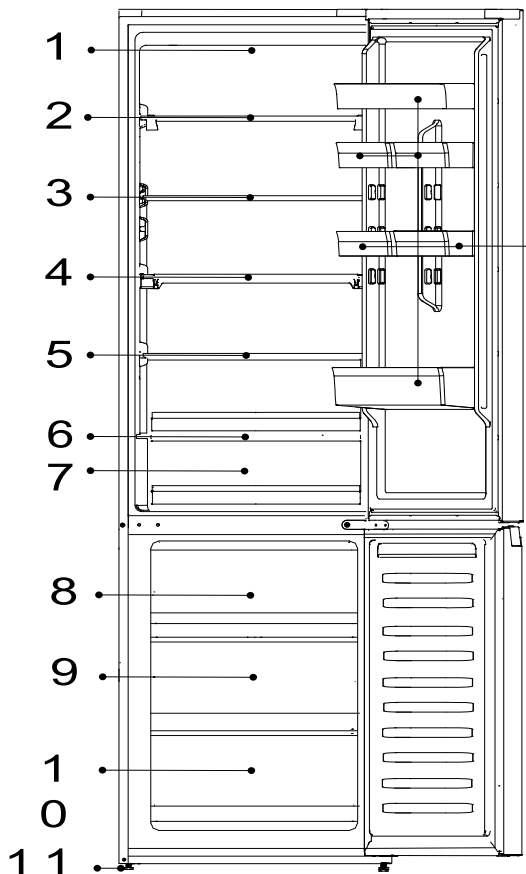
- 1-Λάμπα LED ψυγείου
- 2-Ράφι κρασιού
- 3-Πτυσσόμενο ράφι
- 4-Κάλυμμα συρταριού Humidity Zone
- 5-Συρτάρι Humidity Zone
- 6-Κάλυμμα συρταριού My Zone
- 7-Συρτάρι My Zone
- 8-Συρτάρι αποθήκευσης άνω καταψύκτη
- 9-Συρτάρι αποθήκευσης μεσαίου καταψύκτη
- 10-Συρτάρι αποθήκευσης κάτω καταψύκτη
- 11-Ρυθμιζόμενα πόδια
- 12-Ράφια πόρτας ψυγείου



ΕΙΔΟΠΟΙΗΣΗ

Λόγω τεχνικών αλλαγών και διαφορετικών μοντέλων, ορισμένες από τις απεικονίσεις σε αυτό το εγχειρίδιο ενδέχεται να διαφέρουν από το μοντέλο σας.

(HDPW3620DN*, HDPW3620CN*)



1 2

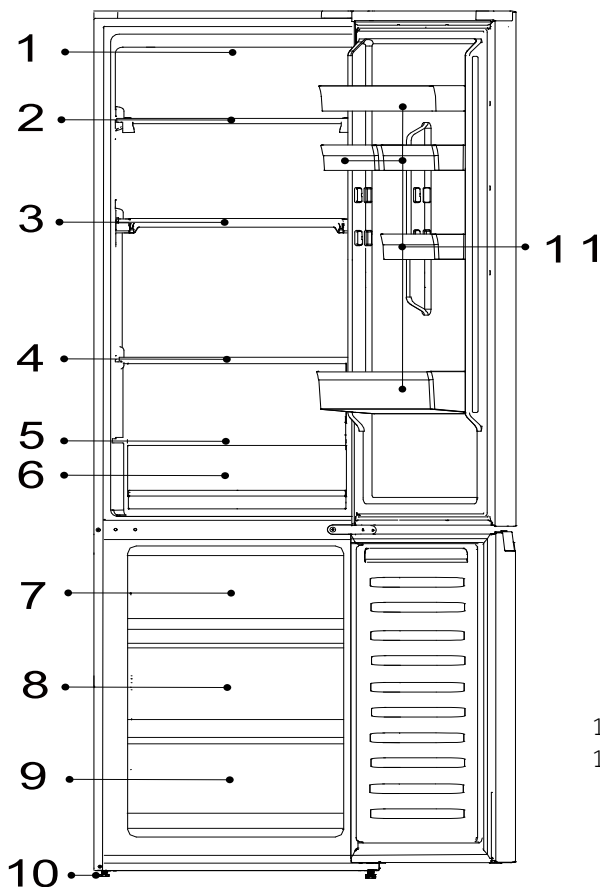
- 1-Λάμπα LED ψυγείου
- 2-Γυάλινο ράφι
- 3-Γυάλινο ράφι
- 4-Γυάλινο ράφι
- 5-Γυάλινο ράφι
- 6-Κάλυμμα συρταριού My Zone
- 7-Συρτάρι My Zone
- 8-Συρτάρι αποθήκευσης άνω καταψύκτη
- 9-Θήκη καταψύκτη
- 10-Συρτάρι αποθήκευσης κάτω καταψύκτη
- 11-Ρυθμιζόμενα πόδια
- 12-Ράφια πόρτας ψυγείου



ΕΙΔΟΠΟΪΗΣΗ

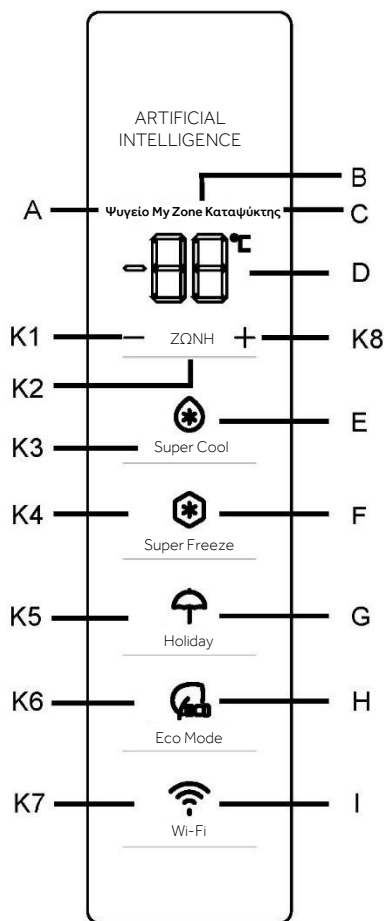
Λόγω τεχνικών αλλαγών και διαφορετικών μοντέλων, ορισμένες από τις απεικονίσεις σε αυτό το εγχειρίδιο ενδέχεται να διαφέρουν από το μοντέλο σας.

(HDPW3618DN*, HDPW3618CN*)



- 1-Λάμπα LED ψυγείου
- 2-Γυάλινο ράφι
- 3-Γυάλινο ράφι
- 4-Γυάλινο ράφι
- 5-Κάλυμμα συρταριού My Zone
- 6-Συρτάρι My Zone
- 7-Συρτάρι αποθήκευσης άνω καταψύκτη
- 8-Θήκη καταψύκτη
- 9-Συρτάρι αποθήκευσης κάτω καταψύκτη
- 10-Ρυθμιζόμενα πόδια
- 11-Ράφια πόρτας ψυγείου

Πίνακας ελέγχου



Ενδείξεις:

- A Θάλαμος ψυγείου
- B Διαμέρισμα ψύξης (My Zone)
- C Θάλαμος καταψύκτη
- D Οθόνη θερμοκρασίας
- E Λειτουργία Super Cool
- F Λειτουργία Super Freeze
- G Λειτουργία Holiday
- H Λειτουργία Eco Mode
- I Λειτουργία Wi-Fi

Κουμπιά:

- K1 Μείωση θερμοκρασίας
- K2 Επιλογή ψυγείου, My Zone και καταψύκτη
- K3 Ενεργοποίηση/απενεργοποίηση λειτουργίας Super Cool
- K4 Ενεργοποίηση/απενεργοποίηση λειτουργίας Super Freeze
- K5 Ενεργοποίηση/απενεργοποίηση λειτουργίας Holiday
- K6 Ενεργοποίηση/απενεργοποίηση Eco Mode
- K7 Ενεργοποίηση/απενεργοποίηση λειτουργίας Wi-Fi
- K8 Αύξηση θερμοκρασίας

Πριν από την πρώτη χρήση

Αφαιρέστε όλα τα υλικά συσκευασίας, κρατήστε τα μακριά από τα παιδιά και απορρίψτε τα με φιλικό προς το περιβάλλον τρόπο.

Καθαρίστε τη συσκευή μέσα και έξω, καθώς και το εσωτερικό και τα παρελκόμενα, με νερό και ήπιο απορρυπαντικό και στεγνώστε τη καλά με μαλακό πανί.

Αφού η συσκευή τοποθετηθεί απολύτως οριζοντιωμένη και καθαριστεί, περιμένετε τουλάχιστον 2 ώρες πριν τη συνδέσετε στην παροχή ηλεκτρικής ισχύος. Ανατρέξτε στην ενότητα ΕΓΚΑΤΑΣΤΑΣΗ.

Προψύξτε τους θαλάμους σε υψηλές ρυθμίσεις πριν τοποθετήσετε τρόφιμα. Η λειτουργία Super Freeze βοηθά στη γρήγορη ψύξη του θαλάμου καταψύκτη

Πλήκτρα αισθητήρων

Τα κουμπιά στον πίνακα ελέγχου είναι πλήκτρα αισθητήρων, τα οποία ανταποκρίνονται ήδη όταν αγγίζονται ελαφρά με το δάχτυλο.

Ενεργοποίηση / απενεργοποίηση της συσκευής

Η συσκευή λειτουργεί μόλις συνδεθεί με την παροχή ρεύματος.

Όταν η συσκευή τροφοδοτείται για πρώτη φορά, οι ενδείξεις θερμοκρασίας "D" εμφανίζουν τις προκαθορισμένες τιμές (ανατρέξτε στην παρακάτω Ειδοποίηση).



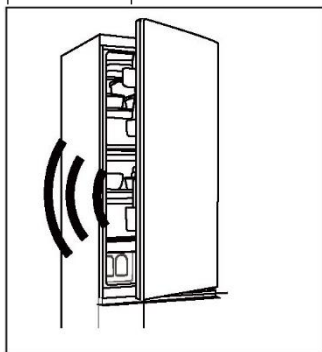
ΕΙΔΟΠΟΪΗΣΗ

Η συσκευή είναι προρυθμισμένη στη συνιστώμενη θερμοκρασία 5°C (ψυγείο) και -18°C (καταψύκτης). Η θερμοκρασία My Zone είναι προρυθμισμένη στους 2°C περίπου. Αυτές είναι οι προτεινόμενες ρυθμίσεις. Εάν θέλετε, μπορείτε να αλλάξετε αυτές τις θερμοκρασίες χειροκίνητα.

Συναγερμός ανοίγματος πόρτας

Όταν η πόρτα του ψυγείου είναι ανοικτή για περισσότερο από 3 λεπτά, θα ηχήσει ο συναγερμός ανοίγματος της πόρτας.

Ο συναγερμός μπορεί να αποσιωπηθεί κλείνοντας την πόρτα. Εάν η πόρτα είναι ανοιχτή για περισσότερο από 7 λεπτά, το φως μέσα στο ψυγείο και ο φωτισμός του πίνακα ελέγχου θα σβήσουν αυτόματα.



Ρύθμιση θερμοκρασίας

Οι εσωτερικές θερμοκρασίες επηρεάζονται από τους ακόλουθους παράγοντες:

- ▶ Θερμοκρασία περιβάλλοντος
- ▶ Συχνότητα ανοίγματος πόρτας



- ▶ Ποσότητα αποθηκευμένων τροφίμων
- ▶ Εγκατάσταση της συσκευής

Ρύθμιση θερμοκρασίας του ψυγείου

1. Πατήστε το κουμπί "K2" (επιλογή Ψυγείου/ (My Zone)/ Καταψύκτη) για να επιλέξετε τον θάλαμο ψυγείου. Το εικονίδιο "A" (θάλαμος ψυγείου) και "D" (Οθόνη θερμοκρασίας) είναι φωτεινά.

2. Πατήστε το κουμπί "K1/K8" για να ρυθμίσετε τη θερμοκρασία του ψυγείου.

Η θερμοκρασία αυξάνεται διαδοχικά κατά 1°C, από ένα ελάχιστο 2°C έως ένα μέγιστο 8°C. Η βέλτιστη θερμοκρασία στο ψυγείο είναι 5°C. Χαμηλότερες θερμοκρασίες σημαίνουν περιττή κατανάλωση ενέργειας.

3. Μετά από περίπου 5 δευτερόλεπτα, το εικονίδιο θερμοκρασίας "D" (Προβολή θερμοκρασίας) θα είναι μόνιμα φωτεινό και η ρύθμιση επιβεβαιώνεται.

Ρύθμιση θερμοκρασίας του καταψύκτη

1. Πατήστε το πλήκτρο "K2" (επιλογή Ψυγείου/ (My Zone)/ Καταψύκτη) για να επιλέξετε τον θάλαμο καταψύκτη. Το εικονίδιο "C" (θάλαμος καταψύκτη) και "D" (Οθόνη θερμοκρασίας) είναι φωτεινά.

2. Πατήστε το κουμπί "K1/K8" για να ρυθμίσετε τη θερμοκρασία ψύξης.

Η θερμοκρασία αυξάνεται διαδοχικά κατά 1°C, από ένα ελάχιστο -24°C έως ένα μέγιστο -16°C. Η βέλτιστη θερμοκρασία στο ψυγείο είναι -18°C. Χαμηλότερες θερμοκρασίες σημαίνουν περιττή κατανάλωση ενέργειας.

3. Μετά από περίπου 5 δευτερόλεπτα, η ένδειξη θερμοκρασίας "D" (Προβολή θερμοκρασίας) θα είναι μόνιμα φωτεινή και η ρύθμιση επιβεβαιώνεται.

Ρύθμιση θερμοκρασίας My Zone

Ο θάλαμος ψυγείου είναι εξοπλισμένος με συρτάρι My Zone. Ανάλογα με τις απαιτήσεις αποθήκευσης τροφίμων, μπορεί να επιλεγεί η καταλληλότερη θερμοκρασία για να επιτευχθεί η βέλτιστη θρεπτική αξία των τροφίμων.

1. Πατήστε το πλήκτρο "K2" (επιλογή ψυγείου/ (My Zone)/ καταψύκτη) για να επιλέξετε τον θάλαμο My Zone. Το εικονίδιο "B" (θάλαμος My Zone) και "D" (Οθόνη θερμοκρασίας) είναι φωτεινά.

2. Πατήστε το κουμπί "K1/K8" για να ρυθμίσετε τη θερμοκρασία My Zone.

Η θερμοκρασία αυξάνεται διαδοχικά κατά 1°C, από ένα ελάχιστο 0°C έως ένα μέγιστο 5°C.

3. Μετά από περίπου 5 δευτερόλεπτα, το εικονίδιο θερμοκρασίας "D" (Προβολή θερμοκρασίας) θα είναι μόνιμα φωτεινό και η ρύθμιση επιβεβαιώνεται.



i ΕΙΔΟΠΟΪΗΣΗ

1. Μπορείτε να ρυθμίσετε τη θερμοκρασία του θαλάμου My Zone στο μεσαίο επίπεδο (2°C), προκειμένου να διατηρήσετε το φαγητό σας στο βέλτιστο περιβάλλον αποθήκευσης.
2. Λόγω της διαφορετικής περιεκτικότητας σε νερό του κρέατος, κάποια κρέατα με περισσότερη υγρασία θα καταψύχονται σε θερμοκρασίες χαμηλότερες από 0°C. Έτσι, το «φρεσκοκομμένο» κρέας θα πρέπει να αποθηκεύεται στο συρτάρι My Zone, με ελάχιστη θερμοκρασία 0 C.
3. Φρούτα ευαίσθητα στο κρύο όπως ανανάς, αβοκάντο, μπανάνες, γκρέιπφρουτ και λαχανικά όπως πατάτες, μελιτζάνες, φασόλια, αγγούρια, κολοκυθάκια και ντομάτες και τυρί δεν θα πρέπει να αποθηκεύονται στο συρτάρι My Zone
4. Εάν η θερμοκρασία του ψυγείου είναι χαμηλότερη από τη θερμοκρασία My Zone, είναι κανονικό. Η θερμοκρασία My Zone είναι χαμηλότερη από τη θερμοκρασία ρύθμισης My Zone.

i ΕΙΔΟΠΟΪΗΣΗ

Μετά τη ρύθμιση της θερμοκρασίας, εάν πατηθούν άλλα κουμπιά εντός 5 δευτερολέπτων, η τρέχουσα ρύθμιση θερμοκρασίας θα επιβεβαιωθεί αμέσως. Εάν δεν εκτελεστεί καμία λειτουργία κουμπιών εντός 5 δευτερολέπτων, εμφανίζεται η τρέχουσα ρυθμισμένη θερμοκρασία μέχρι να σβήσει η οθόνη.

i ΕΙΔΟΠΟΪΗΣΗ

Από την εφαρμογή μπορείτε να προσαρμόσετε τη θερμοκρασία για το ψυγείο, για τον καταψύκτη και για το My Zone. Η θερμοκρασία μπορεί να ρυθμιστεί με ευαισθησία 1°C.

Λειτουργία Super Cool

1. Προτείνεται να ενεργοποιήσετε τη λειτουργία Super Cool εάν πρέπει να αποθηκευτεί μεγαλύτερη ποσότητα τροφίμων (για παράδειγμα μετά τα ψώνια). Η λειτουργία Super Cool επιταχύνει την ψύξη των φρέσκων τροφίμων και προστατεύει τα τρόφιμα που έχουν ήδη αποθηκευτεί από ανεπιθύμητη θέρμανση.
2. Πατήστε το κουμπί "K3" ή ενεργοποιήστε το από την εφαρμογή, το εικονίδιο "E" (λειτουργία Super Cool) είναι φωτεινό και η λειτουργία είναι ενεργοποιημένη.

i ΕΙΔΟΠΟΪΗΣΗ

1. Η συσκευή κλείνει τη "λειτουργία Super Cool" 6 ώρες μετά την καταχώρηση της "λειτουργία Super Cool", ή πατώντας το κουμπί "K3" όταν το εικονίδιο "E" (λειτουργία Super Cool) είναι φωτεινό, ή με την απενεργοποίησή του από την εφαρμογή.
2. Στην κατάσταση Super Cool, εάν έχει ρυθμιστεί η θερμοκρασία του θαλάμου ψυγείου, το εικονίδιο "E" (λειτουργία Super Cool) αναβοσβήνει για να υποδείξει ότι αυτή η λειτουργία δεν μπορεί να πραγματοποιηθεί.

Λειτουργία Super Freeze

1. Τα νωπά τρόφιμα θα πρέπει να καταψύχονται όσο το δυνατόν γρηγορότερα στο κέντρο τους. Έτσι μπορεί να διαφυλάσσεται η καλύτερη διατροφική αξία, η εμφάνιση και η γεύση. Η λειτουργία Super Freeze επιταχύνει την κατάψυξη των νωπών τροφίμων και προστατεύει τα τρόφιμα που έχουν ήδη αποθηκευτεί από ανεπιθύμητη θέρμανση. Εάν πρέπει να καταψύξετε μια μεγάλη ποσότητα τροφίμων άμεσα, συνιστάται να ρυθμίσετε τη λειτουργία Super Freeze 24 ώρες νωρίτερα από τη χρήση του χώρου κατάψυξης.
2. Πατήστε το κουμπί "K4" (ρύθμιση λειτουργίας Super Freeze) ή ενεργοποιήστε το από την εφαρμογή, το εικονίδιο "F" (λειτουργία Super Freeze) είναι φωτεινό και η λειτουργία είναι ενεργοποιημένη.

i ΕΙΔΟΠΟΪΗΣΗ

1. Η συσκευή κλείνει τη "λειτουργία Super Freeze" 50 ώρες μετά την καταχώρηση της "λειτουργία Super Freeze", ή πατώντας το κουμπί "K4" όταν το εικονίδιο "F" (λειτουργία Super Freeze) είναι φωτεινό, ή με την απενεργοποίησή του από την εφαρμογή.
2. Στην κατάσταση Super Freeze, εάν έχει ρυθμιστεί η θερμοκρασία του θαλάμου κατάψυξης, το εικονίδιο "F" (λειτουργία Super Freeze) αναβοσβήνει για να υποδείξει ότι αυτή η λειτουργία δεν μπορεί να πραγματοποιηθεί.

Λειτουργία Holiday

Η λειτουργία Holiday μπορεί να χρησιμοποιηθεί για τη μείωση της κατανάλωσης ενέργειας της συσκευής, όταν δεν χρησιμοποιείται τακτικά. Όταν η λειτουργία είναι ενεργοποιημένη, το ψυγείο είναι σβηστό, ενώ ο καταψύκτης θα συνεχίσει να λειτουργεί κανονικά. Η λειτουργία ρυθμίζει τη θερμοκρασία του ψυγείου μόνιμα στους 17°C.

Αυτό επιτρέπει να διατηρείται η πόρτα του άδειου ψυγείου κλειστή χωρίς να προκαλείται δυσοσμία ή μούχλα-κατά τη διάρκεια παρατεταμένης απουσίας (π.χ. κατά τη διάρκεια των διακοπών). Ο θάλαμος κατάψυξης ρυθμίζεται όπως επιθυμείτε.



1. Πατήστε το κουμπί "K5" (ενεργοποίηση/απενεργοποίηση λειτουργίας Holiday) ή επιλέξτε τη λειτουργία από την εφαρμογή, το εικονίδιο "G" (λειτουργία Holiday) είναι φωτεινό και η λειτουργία είναι ενεργοποιημένη.
2. Η λειτουργία μπορεί να απενεργοποιηθεί πατώντας ξανά το κουμπί "K5" (ενεργοποίηση/απενεργοποίηση λειτουργίας Holiday) ή ρυθμίζοντας τη θερμοκρασία του ψυγείου, ή πραγματοποιώντας οποιαδήποτε άλλη ρύθμιση, ή απενεργοποιώντας το από την εφαρμογή.

i ΕΙΔΟΠΟΪΗΣΗ

1. Κατά τη διάρκεια της λειτουργίας Holiday, δεν πρέπει να αποθηκεύονται τρόφιμα στον θάλαμο ψυγείου. Η θερμοκρασία 17°C είναι πολύ υψηλή για την αποθήκευση τροφίμων.
2. Όταν η λειτουργία Holiday είναι ενεργοποιημένη, το εικονίδιο My Zone παραμένει απενεργοποιημένο και η λειτουργία ψυγείου είναι κλειδωμένη. Εάν έχει ρυθμιστεί η θερμοκρασία του θαλάμου ψυγείου, το εικονίδιο "G" (λειτουργία Holiday) αναβοσβήνει για να υποδείξει ότι αυτή η λειτουργία δεν μπορεί να πραγματοποιηθεί.

Λειτουργία Eco Mode

Η Eco Mode μπορεί να ενεργοποιηθεί για τη βελτιστοποίηση της απόδοσης της συσκευής, ενώ επιτυγχάνεται η καλύτερη αποθήκευση τροφίμων. Εάν δεν έχετε ειδικές απαιτήσεις, συνιστούμε να χρησιμοποιείτε τη λειτουργία Eco Mode.

Σε αυτή τη λειτουργία η θερμοκρασία του ψυγείου είναι 5°C, η θερμοκρασία κατάψυξης είναι -18°C.

1. Πατήστε το κουμπί "K6" (ενεργοποίηση/απενεργοποίηση λειτουργίας Eco Mode) ή επιλέξτε τη λειτουργία από την εφαρμογή.
2. Το εικονίδιο "H" (λειτουργία Eco Mode) είναι φωτεινό και η λειτουργία είναι ενεργοποιημένη.

Επαναλαμβάνοντας τα παραπάνω βήματα, ή επιλέγοντας άλλη λειτουργία, ή απενεργοποιώντας από την εφαρμογή, αυτή η λειτουργία μπορεί να απενεργοποιηθεί ξανά. Αποκαθίστανται τα επίπεδα ψύξης που είχαν οριστεί προηγουμένως.

i ΕΙΔΟΠΟΪΗΣΗ

Κατά τη διάρκεια της λειτουργίας Eco Mode, εάν έχει ρυθμιστεί η θερμοκρασία του θαλάμου ψυγείου/καταψύκτη, το εικονίδιο "H" (λειτουργία Eco Mode) αναβοσβήνει για να υποδείξει ότι αυτή η λειτουργία δεν μπορεί να πραγματοποιηθεί.

Βήμα 1 Κατεβάστε την εφαρμογή hOn από τα καταστήματα.



Βήμα 2 Δημιουργήστε τον λογαριασμό σας στην εφαρμογή hOn ή συνδεθείτε εάν έχετε ήδη λογαριασμό.



Βήμα 3 Ακολουθήστε τις οδηγίες ζεύξης της εφαρμογής hOn.



Λειτουργία Wi-Fi

1. Ακολουθήστε τις οδηγίες στην εφαρμογή για να ρυθμίσετε το Wi-Fi.
2. Μόλις ρυθμιστεί το Wi-Fi και δημιουργηθεί η σύνδεση, το εικονίδιο Wi-Fi "I" θα είναι φωτεινό και σταθερό.
3. Εάν το Wi-Fi έχει ήδη ρυθμιστεί, θα επανασυνδεθεί αυτόματα σύμφωνα με τα στοιχεία ρύθμισης παραμέτρων, αν ενεργοποιείται το Wi-Fi.

ΕΙΔΟΠΟΪΗΣΗ

1. Για να απενεργοποιήσετε το Wi-Fi, πατήστε το κουμπί Wi-Fi "K7" και το εικονίδιο Wi-Fi "I" απενεργοποιείται.
2. Για να ενεργοποιήσετε το Wi-Fi και να ξεκινήσετε τη ρύθμιση, πατήστε το κουμπί Wi-Fi "K7" και το εικονίδιο Wi-Fi "I" αρχίζει να αναβοσβήνει αργά. Εάν θέλετε να ρυθμίσετε τη λειτουργία Wi-Fi, πατήστε το κουμπί "K7" για 3 δευτερόλεπτα, το εικονίδιο Wi-Fi αναβοσβήνει γρήγορα και εισέρχεται στη λειτουργία ρύθμισης παραμέτρων. Εάν θέλετε να απενεργοποιήσετε τη λειτουργία Wi-Fi, πατήστε το κουμπί "K7" μία φορά. Τα παραπάνω βήματα επαναλαμβάνονται.
3. Εάν το προϊόν έχει ρυθμιστεί και η λειτουργία Wi-Fi ήταν απενεργοποιημένη, το ψυγείο δεν θα εισέλθει στη λειτουργία ρύθμισης παραμέτρων μετά την επανασύνδεση στο ρεύμα.

ΕΙΔΟΠΟΪΗΣΗ

1. Το προϊόν αυτό δεν προορίζεται για εμπορική χρήση.
2. Η μέγιστη ισχύς εξόδου RF: Wi-Fi 2,4 GHz: 16dBm.



3. Bluetooth® Low Energy: 5dBm. Bluetooth® (BR/EDR): 10dBm.

4. Ζώνη συχνοτήτων λειτουργίας: 2400-2483,5 MHz.

Το λεκτικό σήμα Bluetooth® και τα λογότυπα είναι καταχωρημένα σήματα που ανήκουν στη Bluetooth SIG, Inc. και οποιαδήποτε χρήση αυτών των αναγνωριστικών από την Candy Hoover Group SRL γίνεται βάσει άδειας. Άλλα σήματα και εμπορικές ονομασίες είναι ιδιοκτησία των αντίστοιχων κατόχων τους.

Αποθήκευση στον θάλαμο ψυγείου

- Διατηρήστε τη θερμοκρασία του ψυγείου σας κάτω από 5° C.
- Το ζεστό φαγητό πρέπει να ψύχεται σε θερμοκρασία δωματίου πριν από την αποθήκευση στη συσκευή.
- Τα τρόφιμα που αποθηκεύονται στο ψυγείο πρέπει να πλένονται και να στεγνώνουν πριν από την αποθήκευση.
- Τα τρόφιμα προς αποθήκευση θα πρέπει να σφραγίζονται σωστά για να αποφευχθούν δυσοσμίες ή αλλοιώσεις γεύσης.
- Μην αποθηκεύετε υπερβολικές ποσότητες τροφίμων. Αφήστε κενά μεταξύ των τροφίμων για να επιτρέψετε στον κρύο αέρα να ρέει γύρω τους, για καλύτερη και πιο ομοιογενή ψύξη.
- Τα τρόφιμα που τρώγονται καθημερινά πρέπει να αποθηκεύονται στο μπροστινό μέρος του ραφιού.
- Αφήστε ένα κενό μεταξύ τροφίμων και εσωτερικών τοιχωμάτων, επιτρέποντας τη ροή του αέρα. Για κανέναν λόγο μην αποθηκεύετε τρόφιμα σε επαφή με το πίσω τοίχωμα: τα τρόφιμα θα μπορούσαν να παγώσουν σε επαφή με το πίσω τοίχωμα. Αποφύγετε την άμεση επαφή των τροφίμων (ιδιαίτερα των ελαιωδών ή όξινων τροφίμων) με την εσωτερική επένδυση, καθώς το λάδι / οξύ μπορεί να διαβρώσει την εσωτερική επένδυση. Καθαρίστε το λάδι/οξύ όπου υπάρχει.
- Τα κατεψυγμένα τρόφιμα μπορούν να αποψυχθούν προσεκτικά στον θάλαμο ψυγείου. Κάτι που εξοικονομεί ενέργεια.
- Η διαδικασία ωρίμανσης φρούτων και λαχανικών όπως κολοκυθάκια, πεπόνια, παπιάγια, μπανάνες, ανανάδες, κ.λπ., μπορεί να επιταχυνθεί στο ψυγείο. Ως εκ τούτου, δεν συνιστάται η αποθήκευσή τους στο ψυγείο. Ωστόσο, η ωρίμανση (γήρανση) των φρούτων που έχουν έντονη τάση ωρίμανσης μπορεί να επιταχυνθεί για μια συγκεκριμένη περίοδο. Τα κρεμμύδια, το σκόρδο, το τζίντζερ και άλλα λαχανικά που διαθέτουν ρίζες θα πρέπει επίσης να αποθηκεύονται σε θερμοκρασία δωματίου.
- Οι δυσάρεστες οσμές μέσα στο ψυγείο είναι ένα σημάδι ότι κάτι έχει χυθεί και απαιτείται καθαρισμός. Δείτε «Φροντίδα και καθαρισμός».
- Διαφορετικά τρόφιμα πρέπει να τοποθετούνται σε διαφορετικές περιοχές ανάλογα με τις ιδιότητές τους.

Αποθήκευση στον θάλαμο καταψύκτη

- Διατηρήστε τη θερμοκρασία καταψύκτη στους -18° C.
- 24 ώρες πριν την κατάψυξη, ενεργοποιήστε τη λειτουργία Super-Freeze. Για μικρές ποσότητες φαγητού, αρκούν 4-6 ώρες.
- Το ζεστό φαγητό πρέπει να ψύχεται σε θερμοκρασία δωματίου πριν από την αποθήκευση στον θάλαμο καταψύκτη.
- Τα τρόφιμα που κόβονται σε μικρές μερίδες θα παγώσουν γρηγορότερα και θα είναι πιο εύκολο να ξεπαγώσουν και να μαγειρευτούν. Το συνιστώμενο βάρος για κάθε μερίδα είναι μικρότερο από 2,5 κιλά

- Είναι καλύτερα να συσκευάσετε το φαγητό πριν το βάλετε στον καταψύκτη. Το εξωτερικό της συσκευασίας πρέπει να είναι στεγνό για να μην κολλάνε μεταξύ τους οι σακούλες. Τα υλικά συσκευασίας πρέπει να είναι απαλλαγμένα από οσμές, να είναι αεροστεγή, μη δηλητηριώδη και μη τοξικά.
- Για να αποφύγετε τη λήξη των περιόδων αποθήκευσης, παρακαλείστε να σημειώσετε την ημερομηνία κατάψυξης, την προθεσμία και το όνομα του τροφικού στη συσκευασία ανάλογα με τις περιόδους αποθήκευσης διαφορετικών τροφίμων.



ΠΡΟΕΙΔΟΠΟΙΗΣΗ!

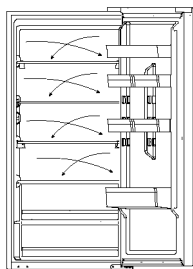
- ▶ Οξύ, αλκάλια και αλάτι κ.λπ. θα μπορούσαν να διαβρώσουν την εσωτερική επιφάνεια του καταψύκτη.
- ▶ Μην τοποθετείτε τρόφιμα με αυτές τις ουσίες (π.χ. ψάρια θαλασσινού νερού) απευθείας στην εσωτερική επιφάνεια. Το αλμυρό νερό στην κατάψυξη πρέπει να καθαριστεί αμέσως.
- ▶ Μην υπερβαίνετε το χρόνο αποθήκευσης τροφίμων που προτείνουν οι κατασκευαστές. Βγάλτε μόνο την απαιτούμενη ποσότητα τροφής από την κατάψυξη.
- ▶ Καταναλώστε τα αποψυγμένα τρόφιμα γρήγορα. Τα αποψυγμένα τρόφιμα δεν μπορούν να καταψυχθούν εκ νέου εκτός εάν πρώτα μαγειρευτούν, διαφορετικά μπορεί να γίνουν λιγότερο βρώσιμα.
- ▶ Μην τοποθετείτε υπερβολικές ποσότητες νωπών τροφίμων στον θάλαμο κατάψυξης. Ανατρέξτε στην ικανότητα κατάψυξης του καταψύκτη - Δείτε στο ΤΕΧΝΙΚΑ ΔΕΔΟΜΕΝΑ ή δεδομένα στην πινακίδα τύπου.
- ▶ Τα τρόφιμα μπορούν να αποθηκευτούν στον καταψύκτη σε θερμοκρασία τουλάχιστον -18°C για 2 έως 12 μήνες, ανάλογα με τις ιδιότητές του (π.χ. κρέας: 3-12 μήνες, λαχανικά: 6-12 μήνες)
- ▶ Κατά την κατάψυξη νωπών τροφίμων, αποφύγετε να τα φέρετε σε επαφή με ήδη κατεψυγμένα τρόφιμα. Κίνδυνος απόψυξης!

Κατά την αποθήκευση εμπορικά κατεψυγμένων τροφίμων, ακολουθήστε αυτές τις οδηγίες:

- Να ακολουθείτε πάντα τις οδηγίες των κατασκευαστών για το χρονικό διάστημα για το οποίο πρέπει να αποθηκεύετε τρόφιμα. Μην υπερβαίνουμε αυτές τις οδηγίες!
- Προσπαθήστε να διατηρήσετε το χρονικό διάστημα μεταξύ αγοράς και αποθήκευσης όσο το δυνατόν συντομότερο για να διατηρήσετε την ποιότητα των τροφίμων.
- Αγοράστε κατεψυγμένα τρόφιμα, τα οποία έχουν αποθηκευτεί σε θερμοκρασία -18°C ή χαμηλότερη.
- Αποφύγετε να αγοράζετε τρόφιμα που έχουν πάγο ή δροσοπάγο πάνω στη συσκευασία - Αυτό υποδηλώνει ότι τα προϊόντα μπορεί να έχουν αποψυχθεί μερικώς και να έχουν καταψυχθεί ξανά κάποια στιγμή - οι αυξήσεις της θερμοκρασίας επηρεάζουν την ποιότητα των τροφίμων.

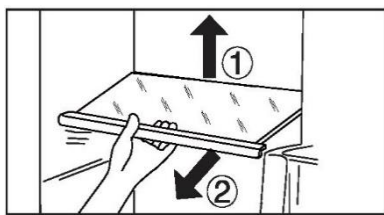
i ΕΙΔΟΠΟΪΗΣΗ

Λόγω διαφορετικών μοντέλων, το προϊόν σας ενδέχεται να μην έχει όλα τα ακόλουθα χαρακτηριστικά. Ανατρέξτε στο κεφάλαιο Περιγραφή προϊόντος.!



Πολλαπλή ροή αέρα

Το ψυγείο είναι εξοπλισμένο με σύστημα πολλαπλών ροών αέρα, το οποίο παρέχει ροή κρύου αέρα σε κάθε επίπεδο στα ράφια. Αυτό βοηθά στη διατήρηση μιας ομοιόμορφης θερμοκρασίας για να διασφαλιστεί ότι τα τρόφιμά σας διατηρούνται πιο φρέσκα για μεγαλύτερο χρονικό διάστημα.



Ρυθμιζόμενο ράφι

1. Το ύψος των ραφιών μπορεί να ρυθμιστεί ώστε να ταιριάζει στις ανάγκες αποθήκευσης.
2. Για να μετακινήσετε ένα ράφι, αφαιρέστε το πρώτα ανυψώνοντας την οπίσθια άκρη του ① και τραβώντας το έξω ②.
3. Για να το επανατοποθετήσετε, τοποθετήστε το στις υποδοχές και στις δύο πλευρές και σπρώξτε το στην πίσω θέση μέχρι το πίσω μέρος του ραφιού να στερεωθεί στις πλαϊνές σχισμές

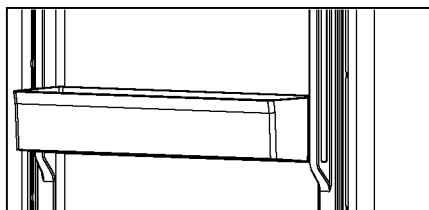
i ΕΙΔΟΠΟΪΗΣΗ

Βεβαιωθείτε ότι όλα τα άκρα ενός ραφιού είναι επίπεδα.

Αφαιρούμενο ράφι πόρτας

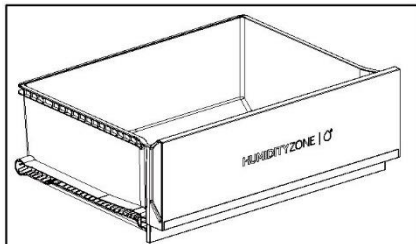
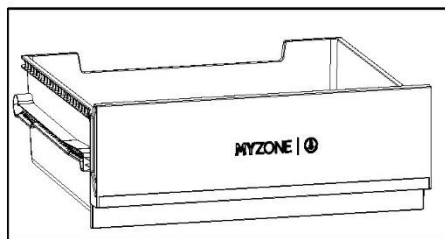
Το ράφι πόρτα μπορεί να αφαιρεθεί για καθαρισμό:

Βάλτε τα χέρια σας σε κάθε πλευρά του ραφιού, σηκώστε το προς τα πάνω (1) και τραβήξτε το προς τα έξω (2). Για την εισαγωγή του ραφιού της πόρτας, τα παραπάνω βήματα πραγματοποιούνται με αντίστροφη σειρά



Συρτάρι My Zone

Για τη χρήση και τη ρύθμιση του θαλάμου My Zone, ελέγξτε την ενότητα ΧΡΗΣΗ (My Zone)..



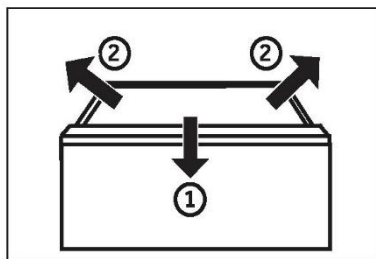
Συρτάρι Humidity Zone

Σε αυτόν τον θάλαμο το επίπεδο υγρασίας ελέγχεται αυτόματα από το σύστημα και είναι κατάλληλο για αποθήκευση φρούτων, λαχανικών, σαλατών κ.λπ.

Αφαιρούμενο συρτάρι

Για να βγάλετε το συρτάρι έξω από τον θάλαμο του ψυγείου ή της κατάψυξης, τραβήξτε προς τα έξω στη μέγιστη δυνατή έκταση (1), ανασηκώστε και αφαιρέστε (2).

Για την εισαγωγή του συρταριού, τα παραπάνω βήματα γίνονται με αντίστροφη σειρά.



Συρτάρι καταψύκτη

Το συρτάρι του καταψύκτη μπορεί να επεκταθεί ευθεία και πλήρως. Τοποθετούνται σε τηλεσκοπική ράγα easy roll. Για να μπορείτε να αποθηκεύετε και να αφαιρείτε άνετα το κατεψυγμένο προϊόν. Λόγω του μηχανισμού αυτόματου κλεισίματος της πόρτας, ο χειρισμός είναι εύκολος και μπορείτε να εξοικονομήτε ενέργεια.



ΠΡΟΕΙΔΟΠΟΙΗΣΗ!

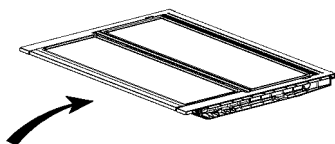
Μην υπερφορτώνετε τα συρτάρια: Μέγιστο φορτίο κάθε συρταριού: 35kg!

Το φως

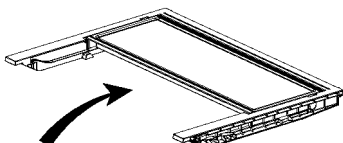
Το εσωτερικό φως LED ανάβει όταν ανοίγει η πόρτα. Η απόδοση των φώτων δεν επηρεάζεται από καμία άλλη ρύθμιση της συσκευής.

Πτυσσόμενο ράφι

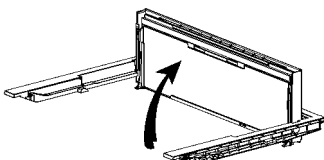
Το πτυσσόμενο ράφι θα επιτρέψει στον χρήστη να τοποθετήσει ψηλά μπουκάλια ή αντικείμενα στα ράφια. Το ράφι μπορούν να αναδιπλωθεί στο πίσω μέρος και ο διαθέσιμος χώρος στο κάτω ράφι θα είναι μεγαλύτερος. Το ράφι μπορεί να αναδιπλωθεί ακολουθώντας τα βήματα 1~3. Εάν θέλετε να επιστρέψετε στην αρχική θέση, αντιστρέψτε τις ακόλουθες διαδικασίες.



Βήμα 1: Σπρώξτε το μπροστινό μέρος του ραφιού αργά μέχρι το τέλος.



Βήμα 2: Σπρώξτε το ράφι προς τα πάνω αργά στην κατακόρυφη θέση του.



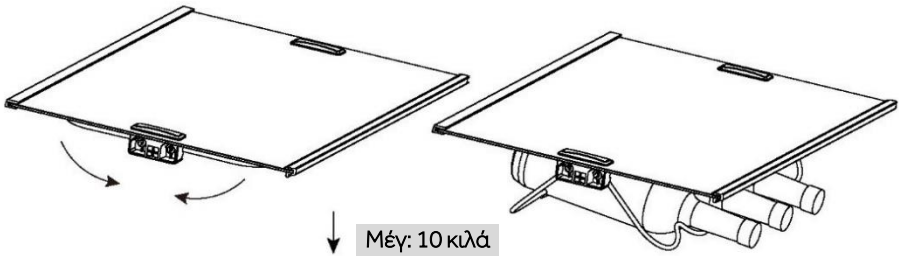
Βήμα 3: Το ράφι είναι κάθετο. Θα εξοικονομήσει χώρο.

Πτυσσόμενο ράφι κρασιών

Για κανονική χρήση

1. Τραβήξτε προς τα κάτω τα υποστηρίγματα του ραφιού κρασιών
2. Τοποθετήστε τα μπουκάλια στο ράφι

Όταν δεν χρησιμοποιείται, το ράφι κρασιών μπορεί να αναδιπλωθεί πάλι για εξοικονόμηση χώρου.





Συμβουλές εξοικονόμησης ενέργειας

- ▶ Βεβαιωθείτε ότι η συσκευή αερίζεται σωστά (δείτε ΕΓΚΑΤΑΣΤΑΣΗ).
- ▶ Μην εγκαθιστάτε τη συσκευή σε σημείο με άμεσο ηλιακό φως ή κοντά σε πηγές θερμότητας (π.χ. σόμπες, θερμάστρες).
- ▶ Αποφύγετε την άσκοπα χαμηλή θερμοκρασία στη συσκευή. Η κατανάλωση ενέργειας αυξάνεται με τη μείωση της θερμοκρασίας ρύθμισης στη συσκευή.
- ▶ Λειτουργίες όπως το SUPER FREEZE καταναλώνουν περισσότερη ενέργεια.
- ▶ Αφήστε το ζεστό φαγητό να κρυώσει πριν το τοποθετήσετε μέσα στη συσκευή.
- ▶ Να ανοίγετε την πόρτα της συσκευής όσο το δυνατόν λιγότερο και για όσο πιο σύντομα γίνεται.
- ▶ Μην γεμίζετε και φορτώνετε υπερβολικά τη συσκευή για να αποφύγετε τη φραγή του αέρα χαμηλά.
- ▶ Αποφύγετε το να υπάρχει αέρας μέσα στη συσκευασία των τροφίμων.
- ▶ Διατηρείτε τα λάστιχα της πόρτας καθαρά, ώστε η πόρτα να κλείνει πάντα σωστά.
- ▶ Αποψύξτε κατεψυγμένα τρόφιμα στον θάλαμο αποθήκευσης ψυγείου ή χρησιμοποιήστε τη λειτουργία D-Frost στο συρτάρι My Zone
- ▶ Οι περισσότερες ρυθμίσεις εξοικονόμησης ενέργειας απαιτούν το συρτάρι, το δοχείο τροφίμων και τα ράφια να τοποθετούνται στη συσκευή με την εργοστασιακή τους κατάσταση ψύξης και τα τρόφιμα πρέπει να τοποθετηθούν έτσι ώστε να μην εμποδίζεται η έξοδος αέρα του αγωγού.



ΠΡΟΕΙΔΟΠΟΙΗΣΗ!

Καθαρισμός

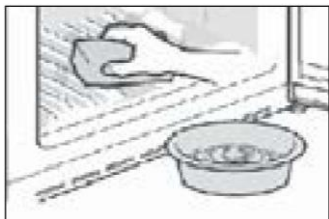
Καθαρίστε τη συσκευή μόνο όταν υπάρχουν αποθηκευμένα λίγα ή καθόλου τρόφιμα.

Η συσκευή πρέπει να καθαρίζεται κάθε τέσσερις εβδομάδες για καλή συντήρηση και για την αποφυγή αποθηκευμένων τροφίμων με δυσάρεστες οσμές.



ΠΡΟΕΙΔΟΠΟΙΗΣΗ!

- ▶ Μην καθαρίζετε τη συσκευή με σκληρές βούρτσες, συρμάτινες βούρτσες, σκόνη απορρυπαντικού, βενζίνη, οξικό αμύλιο, ακετόνη και παρόμοια οργανικά διαλύματα, όξινα ή αλκαλικά διαλύματα. Καθαρίστε με ειδικό απορρυπαντικό ψυγείου για να αποφύγετε ζημιές.
- ▶ Μην ψεκάζετε ή ξεπλύνετε τη συσκευή κατά τον καθαρισμό.
- ▶ Μην χρησιμοποιείτε σπρέι νερού ή ατμό για να καθαρίσετε τη συσκευή.
- ▶ Μην καθαρίζετε τα κρύα γυάλινα ράφια με ζεστό νερό. Η απότομη αλλαγή θερμοκρασίας μπορεί να προκαλέσει το σπάσιμο του γυαλιού.
- ▶ Μην αγγίζετε την εσωτερική επιφάνεια του χώρου αποθήκευσης του καταψύκτη, ειδικά με βρεγμένα χέρια, καθώς τα χέρια σας μπορεί να παγώσουν στην επιφάνεια.
- ▶ Σε περίπτωση θέρμανσης ελέγξτε την κατάσταση των κατεψυγμένων αγαθών.



- ▶ Διατηρείτε πάντα το λάστιχο της πόρτας καθαρό.
- ▶ Καθαρίστε το εσωτερικό και το περίβλημα της συσκευής με ένα σφουγγάρι βρεγμένο σε ζεστό νερό και ουδέτερο απορρυπαντικό.
- ▶ 1. Τρίψτε το εσωτερικό και το εξωτερικό του ψυγείου, συμπεριλαμβανομένων των λάστιχων της πόρτας, της σχάρας της πόρτας, των γυάλινων ραφιών, των κουτιών και ούτω καθεξής, με μια μαλακή πετσέτα ή ένα σφουγγάρι βουτηγμένο σε ζεστό νερό (μπορείτε να προσθέσετε ουδέτερο απορρυπαντικό στο ζεστό νερό).
- ▶ 2. Εάν χυθεί υγρό, αφαιρέστε όλα τα μολυσμένα μέρη, ξεπλύνετε απευθείας με το νερό ροής, στεγνώστε και τοποθετήστε το πίσω στο ψυγείο.
- ▶ 3. Εάν υπάρχει χυμμένη κρέμα (όπως η κρέμα γάλακτος, το παγωτό που λιώνει), αφαιρέστε όλα τα μολυσμένα μέρη, βάλτε στο ζεστό νερό με περίπου 40 °C για κάποιο χρονικό διάστημα, στη συνέχεια ξεπλύνετε με το νερό ροής, στεγνώστε και τοποθετήστε το ξανά στο ψυγείο.
- ▶ 4. Σε περίπτωση που κάποιο μικρό μέρος ή εξάρτημα κολλήσει μέσα στο ψυγείο (ανάμεσα σε ράφια ή συρτάρια), χρησιμοποιήστε μια μικρή μαλακή βούρτσα για να το απελευθερώσετε. Εάν δεν μπορέσετε να φτάσετε το εξάρτημα, επικοινωνήστε με την υπηρεσία Haier



- ▶ Ξεπλύνετε και στεγνώστε με μαλακό πανί.
- ▶ Μην καθαρίζετε κανένα από τα μέρη της συσκευής σε πλυντήριο πιάτων.
- ▶ Αφήστε τουλάχιστον 5 λεπτά πριν από την επανεκκίνηση της συσκευής, καθώς η συχνή εκκίνηση μπορεί να προκαλέσει ζημιά στον συμπιεστή.

Απόψυξη

Η απόψυξη του ψυγείου και του θαλάμου κατάψυξης γίνεται αυτόματα. Δεν απαιτείται χειροκίνητη λειτουργία.
Αντικατάσταση των λαμπτήρων LED



ΠΡΟΕΙΔΟΠΟΙΗΣΗ!

Μην αντικαθιστάτε μόνοι σας τη λυχνία LED, πρέπει να αντικατασταθεί μόνο από τον κατασκευαστή ή από τον εξουσιοδοτημένο αντιπρόσωπο σέρβις.

Ο λαμπτήρας υιοθετεί το LED ως πηγή φωτός του, που χαρακτηρίζεται για τη χαμηλή κατανάλωση ενέργειας και τη μακριά διάρκεια ζωής. Εάν υπάρχει κάποια ανωμαλία, επικοινωνήστε με την εξυπηρέτηση πελατών. Δείτε την ενότητα ΕΞΥΠΗΡΕΤΗΣΗ ΠΕΛΑΤΩΝ.

Παράμετροι του λαμπτήρα:

Εξάρτημα	Λάμπα LED
Τάση	12V
Μέγιστη ισχύς	1,5 W
Προδ. LED	Λευκό-2835
Κατηγορία απόδοσης LED	G
Θερμοκρασία χρήσης	-40~80°C

Να μην χρησιμοποιείται για μεγαλύτερα διαστήματα

Εάν η συσκευή δεν χρησιμοποιηθεί για μεγάλο χρονικό διάστημα και δεν σκοπεύετε να χρησιμοποιήσετε τη λειτουργία Holiday για το ψυγείο:

Αφαιρέστε τα τρόφιμα.

Αποσυνδέστε το καλώδιο τροφοδοσίας.

Καθαρίστε τη συσκευή, όπως περιγράφεται παραπάνω.

Διατηρήστε τις πόρτες ανοικτές για να αποτρέψετε τη δημιουργία δυσοσμίας στο εσωτερικό.



ΕΙΔΟΠΟΪΗΣΗ

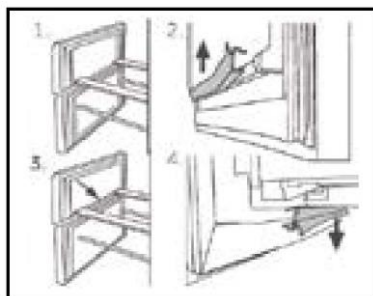
Απενεργοποιήστε τη συσκευή μόνο εάν είναι απολύτως απαραίτητο.

Αφαιρούμενες βοηθητικές τσιμούχες πόρτας

Υπάρχουν έξι βοηθητικές τσιμούχες πόρτας στα επάνω και κάτω συρτάρια καταψύκτη.

1. Εντοπίστε τις πέντε υποδεικνυόμενες τσιμούχες πόρτας στα επάνω και κάτω συρτάρια καταψύκτη.
2. Βεβαιωθείτε ότι τα καμπυλωτά τμήματα των τσιμουχών είναι στραμμένα προς τα μέσα κατά τη σύνδεση.
3. Εντοπίστε την κάτω τσιμούχα του επάνω συρταριού όπως υποδεικνύεται.
4. Βεβαιωθείτε ότι το καμπυλωτό τμήμα αυτής της τσιμούχας είναι στραμμένο προς τα κάτω κατά τη σύνδεση.

Μπορείτε να προμηθευτείτε αυτές τις τσιμούχες καθώς και τις τσιμούχες περιστρεφόμενης πόρτας/συρταριού μέσω της εξυπηρέτησης πελατών (βλ. κάρτα εγγύησης).



Μετακίνηση της συσκευής

1. Αφαιρέστε όλα τα τρόφιμα και αποσυνδέστε τη συσκευή.
2. Ασφαλίστε τα ράφια και τα άλλα κινητά μέρη στο ψυγείο και στον καταψύκτη με κολλητική ταινία.
3. Μην γέρνετε το ψυγείο περισσότερο από 45° ώστε να αποφύγετε τη ζημιά στο σύστημα ψύξης.



ΠΡΟΕΙΔΟΠΟΙΗΣΗ!

- ▶ Μην σηκώνετε τη συσκευή από τις λαβές της.
- ▶ Μην τοποθετείτε ποτέ τη συσκευή οριζόντια στο έδαφος.



Πολλά προβλήματα που παρουσιάζονται θα μπορούσαν να επιλυθούν από τον εαυτό σας χωρίς ειδική εμπειρογνώμοσύνη. Σε περίπτωση προβλήματος, ελέγξτε όλες τις εμφανιζόμενες δυνατότητες και ακολουθήστε τις παρακάτω οδηγίες προτού επικοινωνήσετε με το τμήμα εξυπηρέτησης πελατών μετά την πώληση. Δείτε την ενότητα ΕΞΥΠΗΡΕΤΗΣΗ ΠΕΛΑΤΩΝ.



ΠΡΟΕΙΔΟΠΟΙΗΣΗ!

- ▶ Πριν από τη συντήρηση, απενεργοποιήστε τη συσκευή και αποσυνδέστε το φις από την πρίζα.
- ▶ Ο ηλεκτρικός εξοπλισμός πρέπει να συντηρείται μόνο από εξειδικευμένους ηλεκτρολόγους, επειδή οι ακατάλληλες επισκευές μπορούν να προκαλέσουν σημαντικές επακόλουθες ζημιές.
- ▶ Μια κατεστραμμένη τροφοδοσία θα πρέπει να αντικατασταθεί από τον κατασκευαστή ή τον αντιπρόσωπο του σέρβις ή παρόμοια εξουσιοδοτημένα πρόσωπα, προς αποφυγή του κινδύνου.

Πίνακας αντιμετώπισης προβλημάτων

Πρόβλημα	Πιθανή αιτία	Πιθανή λύση
Ο συμπιεστής δεν λειτουργεί.	Το φις ρεύματος δεν είναι συνδεδεμένο στην πρίζα δικτύου.	Συνδέστε το φις ρεύματος.
	Η συσκευή βρίσκεται στον κύκλο απόψυξης.	Αυτό είναι φυσιολογικό για αυτόματη απόψυξη.
Η συσκευή λειτουργεί συχνά ή λειτουργεί για πολύ μεγάλο χρονικό διάστημα.	Η εσωτερική και η εξωτερική θερμοκρασία είναι πολύ υψηλή.	Είναι φυσιολογικό η συσκευή να λειτουργεί περισσότερο.
	Η συσκευή απενεργοποιήθηκε για ένα χρονικό διάστημα.	Κανονικά, χρειάζονται 8 έως 12 ώρες για να κρυώσει εντελώς η συσκευή.
	Η πόρτα / συρτάρι της συσκευής δεν είναι κλειστά.	Κλείστε την πόρτα/συρτάρι και βεβαιωθείτε ότι η συσκευή βρίσκεται σε οριζοντιωμένη επιφάνεια και ότι δεν υπάρχουν τρόφιμα ή δοχεία που να συγκρατούν την πόρτα.
	Η πόρτα/το συρτάρι ανοίγει πολύ συχνά ή για μεγάλα χρονικά διαστήματα.	Μην ανοίγετε την πόρτα / το συρτάρι πολύ συχνά.
	Η ρύθμιση θερμοκρασίας για την κατάψυξη είναι πολύ χαμηλή.	Ρυθμίστε τη θερμοκρασία ψηλότερα μέχρι να επιτευχθεί μια ικανοποιητική θερμοκρασία ψύξης. Χρειάζονται 24 ώρες για να σταθεροποιηθεί η θερμοκρασία ψύξης.
	Η φλάντζα πόρτας/συρταριού είναι βρώμικη, φθαρμένη, ραγισμένη ή αταίριαστη.	Καθαρίστε την τσιμούχα πόρτας/συρταριού ή αντικαταστήστε την μέσω της εξυπηρέτησης πελατών.
Η απαιτούμενη κυκλοφορία του αέρα δεν είναι εγγυημένη.	Εξασφαλίστε επαρκή αερισμό.	

Πρόβλημα	Πιθανή αιτία	Πιθανή λύση
Το εσωτερικό του ψυγείου είναι βρώμικο ή/και μυρίζει.	Το εσωτερικό του ψυγείου χρειάζεται καθαρισμό.	Καθαρίστε το εσωτερικό του ψυγείου.
	Έχουν αποθηκευτεί στο ψυγείο τρόφιμα με έντονη οσμή.	Τυλίξτε καλά το φαγητό.
Δεν υπάρχει αρκετή ψύξη στο εσωτερικό της συσκευής.	Η θερμοκρασία είναι πολύ υψηλή.	Επαναφέρετε τη θερμοκρασία
	Έχουν αποθηκευτεί πολύ ζεστά τρόφιμα.	Πάντα να κρυώνετε τα τρόφιμα πριν την αποθήκευσή τους.
	Πάρα πολύ φαγητό έχει αποθηκευτεί ταυτόχρονα.	Να αποθηκεύετε πάντα μικρές ποσότητες τροφίμων.
	Τα τρόφιμα είναι πολύ κοντά το ένα στο άλλο.	Αφήστε ένα κενό μεταξύ πολλών τροφίμων που επιτρέπουν τη ροή του αέρα.
	Η πόρτα / συρτάρια της συσκευής δεν είναι κλειστά.	Κλείστε την πόρτα / τα συρτάρια.
	Η πόρτα/το συρτάρι ανοίγει πολύ συχνά ή για μεγάλα χρονικά διαστήματα.	Μην ανοίγετε την πόρτα / το συρτάρι πολύ συχνά.
Υπάρχει αρκετή ψύξη στο εσωτερικό της συσκευής.	Η θερμοκρασία είναι πολύ χαμηλή.	Επαναφέρετε τη θερμοκρασία.
	Η λειτουργία Super Freeze είναι ενεργοποιημένη ή εκτελείται παρατεταμένα.	Σβήστε τη λειτουργία Super Freeze.
Σχηματίζεται υγρασία στο εσωτερικό του θαλάμου ψυγείου.	Το κλίμα είναι πολύ ζεστό και πολύ υγρό.	Αυξήστε τη θερμοκρασία.
	Η πόρτα / συρτάρια της συσκευής δεν είναι κλειστά.	Κλείστε την πόρτα / τα συρτάρια.
	Η πόρτα/το συρτάρι ανοίγει πολύ συχνά ή για μεγάλα χρονικά διαστήματα.	Μην ανοίγετε την πόρτα / το συρτάρι πολύ συχνά.
	Τα δοχεία τροφίμων ή τα υγρά παραμένουν ανοιχτά.	Αφήστε τα ζεστά τρόφιμα να κρυώσουν σε θερμοκρασία δωματίου και καλύψτε τα τρόφιμα και τα υγρά.
Η υγρασία συσσωρεύεται στα ψυγεία έξω από την επιφάνεια ή ανάμεσα στις πόρτες / την πόρτα και τα συρτάρια.	Το κλίμα είναι πολύ ζεστό και πολύ υγρό.	Αυτό είναι φυσιολογικό σε υγρό κλίμα και θα αλλάξει όταν μειώνεται η υγρασία.
	Η πόρτα / το συρτάρι δεν είναι κλεισμένα σφιχτά.	Βεβαιωθείτε ότι η πόρτα/το συρτάρι είναι καλά κλειστά.



Πρόβλημα	Πιθανή αιτία	Πιθανή λύση
Ισχυρός πάγος και παγετός στο διαμέρισμα του καταψύκτη.	Τα τρόφιμα δεν είχαν συσκευαστεί ικανοποιητικά.	Συσκευάζετε πάντα καλά τα τρόφιμα.
	Η πόρτα/το συρτάρι ανοίγει πολύ συχνά ή για μεγάλα χρονικά διαστήματα.	Μην ανοίγετε την πόρτα / το συρτάρι πολύ συχνά.
	Η φλάντζα πόρτας/συρταριού είναι βρώμικη, φθαρμένη, ραγισμένη ή αταίριαστη.	Καθαρίστε την τσιμούχα πόρτας/συρταριού ή αντικαταστήστε την με νέα.
	Κάτι στο εσωτερικό αποτρέπει στην πόρτα/ συρτάρι να κλείσει σωστά.	Επανατοποθετήστε τα ράφια, τα ράφια πόρτας, ή τα εσωτερικά δοχεία για να επιτραπεί το κλείσιμο της πόρτας/ συρταριού.
Η συσκευή κάνει αφύσικους ήχους.	Η συσκευή δεν βρίσκεται σε οριζοντιωμένο έδαφος.	Ρυθμίστε τα πόδια για να ισιώσετε τη συσκευή.
	Η συσκευή αγγίζει κάποιο αντικείμενο γύρω της.	Αφαιρέστε τα αντικείμενα γύρω από τη συσκευή.
Ένας ελαφρύς ήχος πρέπει να ακούγεται παρόμοιος με αυτόν του ρέοντος νερού.	Αυτό είναι φυσιολογικό.	/
Θα ακούσετε ένα ηχητικό σήμα συναγερμού.	Η πόρτα του χώρου αποθήκευσης ψυγείου είναι ανοιχτή.	Κλείστε την πόρτα ή απενεργοποιήστε το συναγερμό χειροκίνητα.
Θα ακούσετε ένα αχνό βουητό.	Το σύστημα κατά της συμπίκνωσης λειτουργεί.	Αυτό αποτρέπει τη συμπίκνωση και είναι φυσιολογικό.
Το σύστημα εσωτερικού φωτισμού ή ψύξης δεν λειτουργεί.	Το φιλς ρεύματος δεν είναι συνδεδεμένο στην πρίζα δικτύου	Συνδέστε το φιλς ρεύματος.
	Η παροχή ρεύματος δεν είναι άθικτη.	Ελέγξτε την παροχή ηλεκτρικού ρεύματος στο δωμάτιο. Καλέστε την τοπική εταιρεία ηλεκτρισμού!
	Η λυχνία LED είναι εκτός λειτουργίας.	Καλέστε την υπηρεσία για αλλαγή της λυχνίας.
Οι πλευρές του ντουλαπιού και του λάστιχου της πόρτας θερμαίνονται.	Αυτό είναι φυσιολογικό.	/
Δεν βγαίνει νερό από το στόμιο του διανομέα νερού	Το κλειδίωμα δεν είναι απενεργοποιημένο.	Απενεργοποιήστε το κλειδίωμα



Διακοπή ρεύματος

- ▶ Σε περίπτωση διακοπής ρεύματος, τα τρόφιμα πρέπει να παραμένουν με ασφάλεια κρύα και σε συνθήκες ψύξης για περίπου 13 ώρες. Ακολουθήστε αυτές τις συμβουλές κατά τη διάρκεια παρατεταμένης διακοπής ρεύματος, ειδικά το καλοκαίρι.
- ▶ Μην βάζετε επιπλέον τρόφιμα στη συσκευή κατά τη διάρκεια διακοπής ρεύματος.
- ▶ Εάν δοθεί προηγούμενη ειδοποίηση για διακοπή ρεύματος και η διάρκεια διακοπής είναι μεγαλύτερη από 13 ώρες, φτιάξτε λίγους κύβους πάγου και τοποθετήστε τους σε ένα δοχείο στο ανώτερο ράφι του θαλάμου ψυγείου.
- ▶ Αμέσως μετά τη διακοπή απαιτείται ο έλεγχος των τροφίμων.
- ▶ Καθώς η θερμοκρασία στο ψυγείο θα αυξηθεί κατά τη διάρκεια διακοπής ρεύματος ή άλλης βλάβης, η περίοδος αποθήκευσης και η βρώσιμη ποιότητα των τροφίμων θα μειωθούν. Οποιοδήποτε φαγητό αποψύχεται πρέπει να καταναλώνεται ή να μαγειρεύεται και να καταψύχεται (όταν επιτρέπεται αυτή η διαδικασία) λίγο μετά για την αποφυγή κινδύνων για την υγεία.



ΕΙΔΟΠΟΪΗΣΗ

Λειτουργία μνήμης κατά τη διακοπή ρεύματος

Μετά την επαναφορά του ρεύματος, η συσκευή συνεχίζει με τις ρυθμίσεις που είχαν ρυθμιστεί πριν από τη διακοπή ρεύματος.

Για να επικοινωνήσετε με την τεχνική βοήθεια, επισκεφθείτε τον ιστότοπό μας: <https://corporate.haier-europe.com/en/>

Στην ενότητα "ιστότοπος", επιλέξτε τη μάρκα του προϊόντος σας και τη χώρα σας. Θα ανακατευθυνθείτε στον συγκεκριμένο ιστότοπο όπου μπορείτε να βρείτε τον αριθμό τηλεφώνου και άλλους τρόπους για να επικοινωνήσετε με την τεχνική υποστήριξη.

Αποσυσκευασία



ΠΡΟΕΙΔΟΠΟΙΗΣΗ!

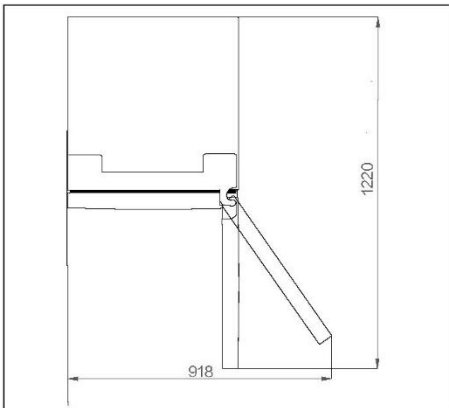
- ▶ Η συσκευή είναι βαριά. Πάντοτε θα πρέπει να χειρίζονται τη συσκευή δύο άτομα τουλάχιστον.
- ▶ Κρατήστε όλα τα υλικά συσκευασίας μακριά από τα παιδιά και απορρίψτε τα με φιλικό προς το περιβάλλον τρόπο.
- ▶ Βγάλε τη συσκευή από τη συσκευασία.
- ▶ Αφαιρέστε όλα τα υλικά συσκευασίας.

Περιβαλλοντικές συνθήκες

Η θερμοκρασία δωματίου πρέπει να είναι πάντα μεταξύ 10°C και 43°C, καθώς μπορεί να επηρεάσει τη θερμοκρασία στο εσωτερικό της συσκευής και την κατανάλωση ενέργειας της. Μην εγκαθιστάτε τη συσκευή κοντά σε άλλες συσκευές που εκπέμπουν θερμότητα (φούρνους, ψυγεία) χωρίς μόνωση.

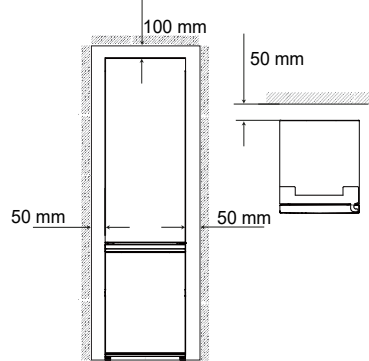
Σύσταση για τον χώρο

Συνιστώμενος ελάχιστος χώρος όταν η πόρτα είναι ανοικτή.



Διατομή εξαερισμού

Για την επίτευξη επαρκούς εξαερισμού της συσκευής, για λόγους ασφαλείας, συνιστούμε να τηρούνται οι κατευθυντήριες γραμμές της σύστασης για τον χώρο

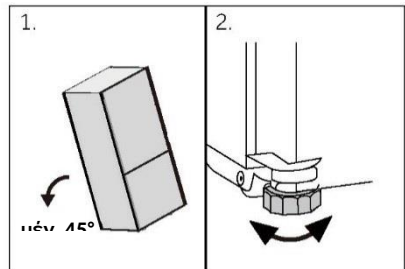


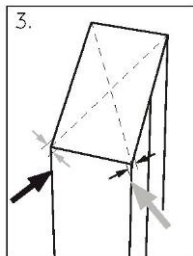
Ευθυγράμμιση της συσκευής

Η συσκευή πρέπει να τοποθετηθεί σε επίπεδη και συμπαγή επιφάνεια.

1. Γείρετε ελαφρά το ψυγείο προς τα πίσω.
2. Ρυθμίστε τα πόδια στο επιθυμητό επίπεδο.

Βεβαιωθείτε ότι η απόσταση από τον τοίχο στην πλευρά του μεντεσέ είναι τουλάχιστον 100 mm για να ανοίξει σωστά η πόρτα.

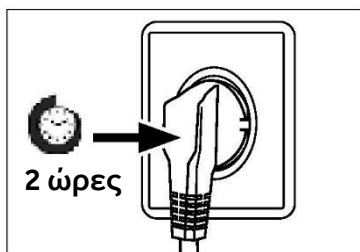




1. Η σταθερότητα μπορεί να ελεγχθεί χτυπώντας εναλλάξ τις διαγώνιες πλευρές. Η ελαφριά ταλάντωση πρέπει να είναι ίδια και προς τις δύο κατευθύνσεις. Διαφορετικά το πλαίσιο μπορεί να στρεβλώσει, και το αποτέλεσμα μπορεί να είναι πιθανές διαρροές στις σφραγίδες της πόρτας. Μια χαμηλή κλίση προς τα πίσω διευκολύνει το κλείσιμο των θυρών.

ΕΙΔΟΠΟΪΗΣΗ

Για μια συσκευή ελεύθερης τοποθέτησης: αυτή η ψυκτική συσκευή δεν προορίζεται για χρήση ως εντοιχιζόμενη συσκευή



Χρόνος αναμονής

Το λάδι λίπανσης χωρίς συντήρηση βρίσκεται στην κάψουλα του συμπιεστή. Αυτό το λάδι μπορεί να περάσει από το κλειστό σύστημα σωλήνων κατά τη διάρκεια της κεκλιμένης μεταφοράς. Πριν συνδέσετε τη συσκευή στην παροχή ρεύματος θα πρέπει να περιμένετε τουλάχιστον 2 ώρες, ώστε το λάδι να επιστρέψει στην κάψουλα.

Ηλεκτρική σύνδεση

Πριν από κάθε σύνδεση ελέγξτε αν:

- ▶ η τροφοδοσία ρεύματος, η πρίζα και η ασφάλεια είναι κατάλληλα σύμφωνα με το ταμπελάκι χαρακτηριστικών.
- ▶ η πρίζα είναι γειωμένη και δεν υπάρχει πολλαπλή πρίζα ή επέκταση.
- ▶ το βύσμα τροφοδοσίας και η πρίζα είναι σύμφωνα με.

Συνδέστε το βύσμα σε μια σωστά εγκατεστημένη οικιακή πρίζα.

ΠΡΟΕΙΔΟΠΟΙΗΣΗ!

Για να αποφύγετε τους κινδύνους, ένα κατεστραμμένο καλώδιο τροφοδοσίας πρέπει να αντικατασταθεί από την εξυπηρέτηση πελατών (βλ. κάρτα εγγύησης).



Αντιστρεψιμότητα πόρτας

Πριν συνδέσετε τη συσκευή στην τροφοδοσία ρεύματος, θα πρέπει να ελέγξετε εάν το άνοιγμα της πόρτας πρέπει να αλλάξει από δεξιά (όπως παραδίδεται) προς αριστερά, εάν αυτό απαιτείται από τη θέση εγκατάστασης και τη χρηστικότητα.

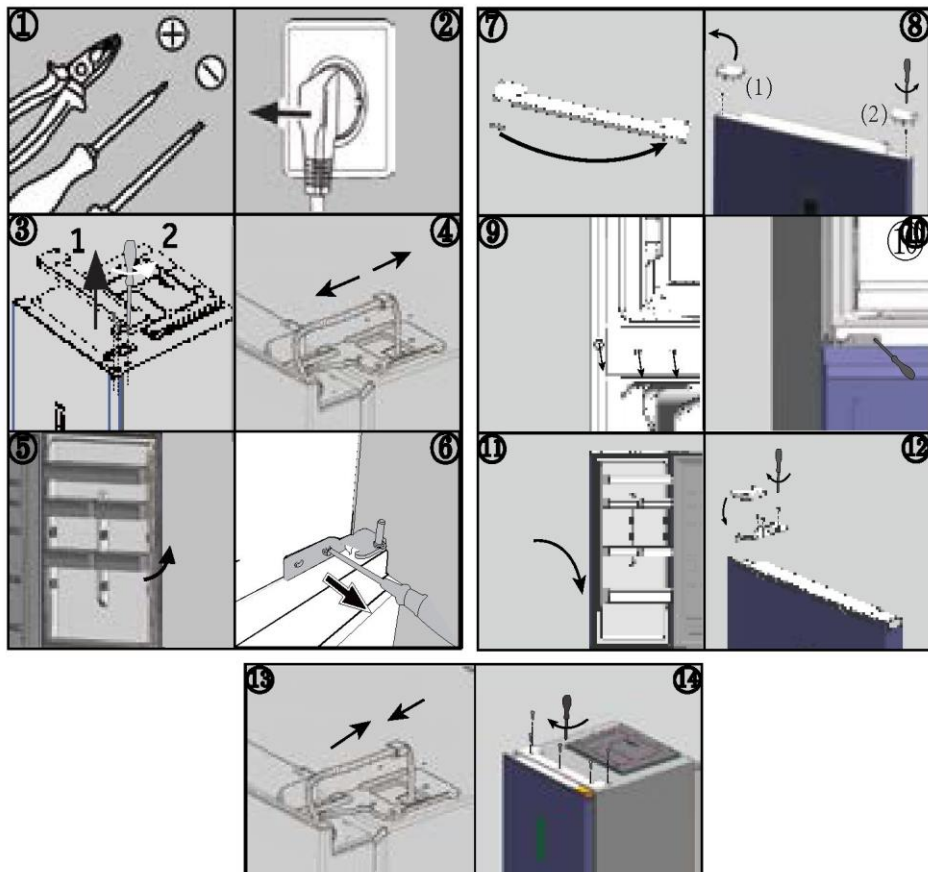


ΠΡΟΕΙΔΟΠΟΙΗΣΗ!

- ▶ Η συσκευή είναι βαριά. Χρειάζεστε δύο άτομα για να πραγματοποιήσετε την αντιστρεψιμότητα της πόρτας.
- ▶ Πριν από οποιαδήποτε λειτουργία, αποσυνδέστε πρώτα τη συσκευή από την πρίζα
- ▶ Μην γέρνετε τη συσκευή περισσότερο από 45° για να αποφύγετε ζημιά στο σύστημα ψύξης.

Βήματα συναρμολόγησης

1. Παρέχετε τα απαραίτητα εργαλεία.
2. Αποσυνδέστε τη συσκευή από την πρίζα.
3. Αφαιρέστε το κάλυμμα του επάνω μεντεσέ 1 και ξεβιδώστε τον επάνω μεντεσέ (τρεις βίδες) στη δεξιά πλευρά 2.
4. Αποσυνδέστε το καλώδιο σύνδεσης
5. Ανασηκώστε προσεκτικά τη λασκαρισμένη πόρτα του ψυγείου από τον μεσαίο μεντεσέ.
6. Αφαιρέστε τον μεσαίο μεντεσέ.
7. Αφαιρέστε το μικρό κάλυμμα του μπροστινού πάνελ από την αριστερή προς τη δεξιά πλευρά.
8. Γυρίστε την πόρτα ανάποδα και ξεβιδώστε το κάλυμμα (1). Βγάλτε το νέο κάλυμμα (2) από τον σάκο παρελκόμενων και βιδώστε το στην απέναντι πλευρά.
9. Αλλάξτε τις θέσεις των τυφλών πωμάτων και της βίδας στο πλάι.
10. Βιδώστε τον μεσαίο μεντεσέ στην αριστερή πλευρά της συσκευής. Προσέξτε να αντιστρέψετε τον άξονα περιστροφής του μεσαίου μεντεσέ, διασφαλίζοντας ότι η πλευρά με το παρέμβυσμα είναι στραμμένη προς τα πάνω
11. Σηκώστε προσεκτικά την επάνω πόρτα στον μεσαίου μεντεσέ. Και βεβαιωθείτε ότι ο άξονας εφαρμόζει στην υποδοχή μεντεσέ της κάτω πόρτας
12. Βγάλτε τον καινούργιο επάνω μεντεσέ και το κάλυμμα μεντεσέ από τον σάκο παρελκόμενων. Περάστε το καλώδιο σύνδεσης μέσα από τον επάνω μεντεσέ και στερεώστε τον επάνω μεντεσέ με τρεις βίδες στην αριστερή πλευρά της συσκευής. Και μετά τοποθετήστε το κάλυμμα του μεντεσέ πάνω από τον μεντεσέ.
13. Συνδέστε το καλώδιο σύνδεσης.
14. Αντικαταστήστε το μπροστινό πάνελ και στερεώστε το με πέντε βίδες. Μετά την αλλαγή της πόρτας, ελέγξτε εάν οι τσιμούχες πόρτας έχουν τοποθετηθεί σωστά στο περίβλημα και όλες οι βίδες είναι καλά σφιγμένες.



Θερμοκρασίες περιβάλλοντος

Εκτεταμένη εύκρατη: αυτή η ψυκτική συσκευή προορίζεται να χρησιμοποιηθεί σε θερμοκρασίες περιβάλλοντος από 10°C έως 32°C

Εύκρατη: αυτή η ψυκτική συσκευή προορίζεται να χρησιμοποιηθεί σε θερμοκρασίες περιβάλλοντος από 16°C έως 32°C.

Υποτροπική: αυτή η ψυκτική συσκευή προορίζεται να χρησιμοποιηθεί σε θερμοκρασίες περιβάλλοντος από 16°C έως 38°C.

Τροπική: αυτή η ψυκτική συσκευή προορίζεται να χρησιμοποιηθεί σε θερμοκρασίες περιβάλλοντος από 16°C έως 43°C.



Παράμετροι προϊόντος σύμφωνα με τον κανονισμό (ΕΕ)2019/2016

Βάσει αποτελεσμάτων τυποποιημένων δοκιμών για 24 ώρες. Η πραγματική κατανάλωση ενέργειας εξαρτάται από τον τρόπο χρήσης της συσκευής και από τη θέση που βρίσκεται

Μοντέλο	HTW5618DN*	HTW5620DN*	HTW5618EN*
Τύπος ψυκτικής συσκευής	Ψυγείο-καταψύκτης	Ψυγείο-καταψύκτης	Ψυγείο-καταψύκτης
Κατηγορία ενεργειακής απόδοσης	D	D	E
Ετήσια κατανάλωση ενέργειας (kWh/annum)	217	226	271
Όγκος διαμερίσματος ψυγείου(L)	201	255	201
Όγκος διαμερίσματος κατάψυξης(L)	125	125	125
Όγκος διαμερίσματος ψύξης(L)	34	34	34
Κατηγορία κατάψυξης	4 αστέρων	4 αστέρων	4 αστέρων
Τύπος απόψυξης	Αυτόματη απόψυξη	Αυτόματη απόψυξη	Αυτόματη απόψυξη
Χρόνος αύξησης θερμοκρασίας (ώρες)	13	13	11
Χωρητικότητα καταψύκτη (κιλά/24 ώρες)	10.0	10.0	10.0
Κλιματική κλάση	SN.N.ST.T	SN.N.ST.T	SN.N.ST.T
Κατηγορία εκπομπών θορύβου και εκπομπών αερόφερτου ακουστικού θορύβου (dB(A) re 1pW)	B(35)	B(35)	B(35)

Μοντέλο	HTW5618CN*	HTW5620CN*	HTW5620EN*
Τύπος ψυκτικής συσκευής	Ψυγείο-καταψύκτης	Ψυγείο-καταψύκτης	Ψυγείο-καταψύκτης
Κατηγορία ενεργειακής απόδοσης	C	C	E
Ετήσια κατανάλωση ενέργειας (kWh/annum)	173	181	283
Όγκος διαμερίσματος ψυγείου(L)	201	255	255
Όγκος διαμερίσματος κατάψυξης(L)	125	125	125
Όγκος διαμερίσματος ψύξης(L)	34	34	34
Κατηγορία κατάψυξης	4 αστέρων	4 αστέρων	4 αστέρων
Τύπος απόψυξης	Αυτόματη απόψυξη	Αυτόματη απόψυξη	Αυτόματη απόψυξη
Χρόνος αύξησης θερμοκρασίας (ώρες)	13	13	11
Χωρητικότητα καταψύκτη (κιλά/24 ώρες)	10.0	10.0	10.0
Κλιματική κλάση	SN.N.ST.T	SN.N.ST.T	SN.N.ST.T
Κατηγορία εκπομπών θορύβου και εκπομπών αερόφερτου ακουστικού θορύβου (dB(A) re 1pW)	B(35)	B(35)	B(35)



Μοντέλο	HDPW5618DN*	HDPW5620DN*	HDPW3620DN*
Τύπος ψυκτικής συσκευής	Ψυγείο-καταψύκτης	Ψυγείο-καταψύκτης	Ψυγείο-καταψύκτης
Κατηγορία ενεργειακής απόδοσης	D	D	D
Ετήσια κατανάλωση ενέργειας (kWh/annum)	214	220	220
Όγκος διαμερίσματος ψυγείου(L)	201	255	255
Όγκος διαμερίσματος κατάψυξης(L)	117	117	117
Όγκος διαμερίσματος ψύξης(L)	34	34	34
Κατηγορία κατάψυξης	4 αστέρων	4 αστέρων	4 αστέρων
Τύπος απόψυξης	Αυτόματη απόψυξη	Αυτόματη απόψυξη	Αυτόματη απόψυξη
Χρόνος αύξησης θερμοκρασίας (ώρες)	13	13	11
Χωρητικότητα καταψύκτη (κιλά/24 ώρες)	10.0	10.0	10.0
Κλιματική κλάση	SN.N.ST.T	SN.N.ST.T	SN.N.ST.T
Κατηγορία εκπομπών θορύβου και εκπομπών αερόφερτου ακουστικού θορύβου (dB(A) re 1pW)	B(35)	B(35)	B(35)

Μοντέλο	HDPW3618DN*	HDPW3620DN*	HDTW3620DN*
Τύπος ψυκτικής συσκευής	Ψυγείο-καταψύκτης	Ψυγείο-καταψύκτης	Ψυγείο-καταψύκτης
Κατηγορία ενεργειακής απόδοσης	D	D	D
Ετήσια κατανάλωση ενέργειας (kWh/annum)	214	176	226
Όγκος διαμερίσματος ψυγείου(L)	201	255	255
Όγκος διαμερίσματος κατάψυξης(L)	117	117	125
Όγκος διαμερίσματος ψύξης(L)	34	34	34
Κατηγορία κατάψυξης	4 αστέρων	4 αστέρων	4 αστέρων
Τύπος απόψυξης	Αυτόματη απόψυξη	Αυτόματη απόψυξη	Αυτόματη απόψυξη
Χρόνος αύξησης θερμοκρασίας (ώρες)	13	13	11
Χωρητικότητα καταψύκτη (κλά/24 ώρες)	10.0	10.0	10.0
Κλιματική κλάση	SN.N.ST.T	SN.N.ST.T	SN.N.ST.T
Κατηγορία εκπομπών θορύβου και εκπομπών αερόφερτου ακουστικού θορύβου (dB(A) re 1pW)	B(35)	B(35)	B(35)

Μοντέλο	HDPW5618CN*	HDPW5620CN*	HDPW5620AN*
Τύπος ψυκτικής συσκευής	Ψυγείο-καταψύκτης	Ψυγείο-καταψύκτης	Ψυγείο-καταψύκτης
Κατηγορία ενεργειακής απόδοσης	C	C	A
Ετήσια κατανάλωση ενέργειας (kWh/annum)	171	176	114
Όγκος διαμερίσματος ψυγείου(L)	201	255	255
Όγκος διαμερίσματος κατάψυξης(L)	117	117	120
Όγκος διαμερίσματος ψύξης(L)	34	34	34
Κατηγορία κατάψυξης	4 αστέρων	4 αστέρων	4 αστέρων
Τύπος απόψυξης	Αυτόματη απόψυξη	Αυτόματη απόψυξη	Αυτόματη απόψυξη
Χρόνος αύξησης θερμοκρασίας (ώρες)	13	13	16
Χωρητικότητα καταψύκτη (κιλά/24 ώρες)	10.0	10.0	10.0
Κλιματική κλάση	SN.N.ST.T	SN.N.ST.T	SN.N.ST.T
Κατηγορία εκπομπών θορύβου και εκπομπών αερομεταφερόμενου ακουστικού θορύβου (dB(A) re 1 pW)	B(35)	B(35)	B(35)

Πρόσθετα τεχνικά δεδομένα

Μοντέλο	HTW5618DN*	HTW5618EN*	HTW5620DN*
Συνολικός όγκος (Λίτρα)	360	360	414
Τάση/Συχνότητα	220-240V/50Hz	220-240V/50Hz	220-240V/50Hz
Ρεύμα εισόδου (A)	1.4	1.4	1.4
Ασφάλεια κεντρική (A)	16	16	16
Ψυκτικό μέσο	R600a(53g)	R600a(53g)	R600a(53g)
Διαστάσεις (Π/Β/Υ σε mm)	595*667*1850	595*667*1850	595*667*2050

Μοντέλο	HTW5618CN*	HTW5620CN*	HTW5620EN*
Συνολικός όγκος (Λίτρα)	360	414	414
Τάση/Συχνότητα	220~240V/50Hz	220~240V/50Hz	220~240V/50Hz
Ρεύμα εισόδου (A)	1.4	1.4	1.4
Ασφάλεια κεντρική (A)	15	15	16
Ψυκτικό μέσο	R600a(50g)	R600a(50g)	R600a(53g)
Διαστάσεις (Π/Β/Υ σε mm)	595*667*1850	595*667*2050	595*667*2050



Μοντέλο	HDPW5618DN*	HDPW5620DN*	HDPW3620DN*
Συνολικός όγκος (Λίτρα)	352	406	406
Τάση/Συχνότητα	220~240V/50Hz	220~240V/50Hz	220~240V/50Hz
Ρεύμα εισόδου (A)	1.4	1.4	1.4
Ασφάλεια κεντρική (A)	16	16	16
Ψυκτικό μέσο	R600a(53g)	R600a(53g)	R600a(53g)
Διαστάσεις (Π/Β/Υ σε mm)	595*667*1850	595*667*2050	595*667*2050

Μοντέλο	HDPW5618CN*	HDPW5620CN*	HDPW5620AN*
Συνολικός όγκος (Λίτρα)	352	406	409
Τάση/Συχνότητα	220~240V/50Hz	220~240V/50Hz	220~240V/50Hz
Ρεύμα εισόδου (A)	1.4	1.4	1.4
Ασφάλεια κεντρική (A)	15	15	15
Ψυκτικό μέσο	R600a(50g)	R600a(50g)	R600a(50g)
Διαστάσεις (Π/Β/Υ σε mm)	595*667*1850	595*667*2050	595*667*2050

Μοντέλο	HDPW5618CN*	HDPW5620CN*	HDPW5620AN*
Συνολικός όγκος (Λίτρα)	352	406	409
Τάση/Συχνότητα	220~240V/50Hz	220~240V/50Hz	220~240V/50Hz
Ρεύμα εισόδου (A)	1.4	1.4	1.4
Ασφάλεια κεντρική (A)	15	15	16
Ψυκτικό μέσο	R600a(50g)	R600a(50g)	R600a(50g)
Διαστάσεις (Π/Β/Υ σε mm)	595*667*1850	595*667*2050	595*667*2050



Συνιστούμε την Εξυπηρέτηση Πελατών της Haier και τη χρήση γνήσιων ανταλλακτικών. Εάν έχετε κάποιο πρόβλημα με τη συσκευή σας, ελέγξτε πρώτα την ενότητα ΑΝΤΙΜΕΤΩΠΙΣΗ ΠΡΟΒΛΗΜΑΤΩΝ.

Εάν δεν μπορείτε να βρείτε μια λύση εκεί, επικοινωνήστε

- ▶ με τον τοπικό σας αντιπρόσωπο ή
- ▶ το Ευρωπαϊκό τηλεφωνικό κέντρο εξυπηρέτησης (βλ. παρακάτω αριθμούς τηλεφώνου) ή
- ▶ πηγαίνετε στην ενότητα Εξυπηρέτηση και Υποστήριξη στη διεύθυνση www.haier.com όπου μπορείτε να υποβάλετε αίτημα εξυπηρέτησης
- ▶ και επίσης να βρείτε τις συχνές ερωτήσεις.

Για να επικοινωνήσετε με την Υπηρεσία μας, βεβαιωθείτε ότι έχετε τα ακόλουθα δεδομένα διαθέσιμα.

Οι πληροφορίες μπορείτε να βρείτε στην πινακίδα αξιολόγησης.

Μοντέλο _____

Σειριακός αριθμός: _____

Επίσης, ελέγξτε την Κάρτα Εγγύησης που παρέχεται με το προϊόν σε περίπτωση εγγύησης.

Ευρωπαϊκό Τηλεφωνικό Κέντρο		
Χώρα*	Αριθμός τηλεφώνου	Έξοδα
Haier Italy (IT)	199 100 912	
Haier Spain (ES)	902 509 123	
Haier Germany (DE)	0180 5 39 39 99	<ul style="list-style-type: none"> • 14 σεντς/λεπτό από σταθερό • μέγιστο 42 σεντς/λεπτό από κινητό
Haier Austria (AT)	0820 001 205	<ul style="list-style-type: none"> • 14,53 σεντς/λεπτό από σταθερό • μέγιστο 20 σεντς/λεπτό όλα τα άλλα
Haier United Kingdom (UK)	0333 003 8122	
Haier France (FR)	0980 406 409	



* Για άλλες χώρες, ανατρέξτε στη διεύθυνση www.haier.com

Haier Europe Trading S.r.l

Υποκατάστημα Ηνωμένο Βασίλειο

Westgate House, Westgate, Ealing

Λονδίνο, W5 1ΥΥ

*Διάρκεια εγγύησης της ψυκτικής συσκευής:

Η ελάχιστη εγγύηση είναι: 2 χρόνια για τις χώρες της ΕΕ, 3 χρόνια για την Τουρκία, 1 χρόνο για το Ηνωμένο Βασίλειο, 1 χρόνο για τη Ρωσία, 3 χρόνια για τη Σουηδία, 2 χρόνια για τη Σερβία, 5 χρόνια για τη Νορβηγία, 1 χρόνο για το Μαρόκο, 6 μήνες για την Αλγερία, για την Τυνησία δεν απαιτείται νομική εγγύηση.

*Περίοδος διάθεσης ανταλλακτικών για επισκευή της συσκευής:

Θερμοστάτες, αισθητήρες θερμοκρασίας, πλακέτες τυπωμένων κυκλωμάτων και πηγές φωτός διατίθενται για επτά τουλάχιστον χρόνια μετά τη διάθεση της τελευταίας μονάδας του μοντέλου στην αγορά.

Λαβές πόρτας, μεντεσέδες πόρτας, δίσκοι και καλάθια διατίθενται για περίοδο τουλάχιστον επτά ετών και λάστιχα πόρτας για περίοδο τουλάχιστον 10 ετών μετά τη διάθεση της τελευταίας μονάδας του μοντέλου στην αγορά.

*Για περισσότερες πληροφορίες σχετικά με το προϊόν, συμβουλευτείτε τη διεύθυνση <https://eprel.ec.europa.eu/> ή σαρώστε τον κωδικό QR στην ενεργειακή ετικέτα που παρέχεται με τη συσκευή.



Haier

2023 Έκδοση Α



0060534356

<u>189 Información de seguridad</u>	• <u>Antes del primer uso</u> 190
	• <u>Instalación</u> 190
	• <u>Uso diario</u> 191
<u>194 Uso previsto</u>	•
<u>195 Descripción del producto</u>	•
<u>199 Panel de control</u>	•
<u>200 Uso</u>	• <u>Ajuste de la temperatura del frigorífico</u> 201
	• <u>Ajustar la temperatura del congelador</u> 201
	• <u>Ajustar la temperatura de My Zone</u> 201
	• <u>Función Super Cool</u> 202
	• <u>Función Super Freeze</u> 203
<u>208 Equipo</u>	•
<u>212 Consejos de ahorro de energía</u>	•
<u>213 Cuidado y limpieza</u>	•
<u>216 Solución de problemas</u>	•
<u>220 Instalación</u>	•
<u>224 Datos técnicos</u>	• Haga clic en el contenido para ver la información detallada.
<u>230 Atención al cliente</u>	•





Gracias por comprar un producto Haier.

Lea atentamente estas instrucciones antes de utilizar este electrodoméstico. Estas instrucciones contienen información importante que le ayudará a sacar el máximo provecho del electrodoméstico y a garantizar una instalación, uso y mantenimiento seguros y adecuados.

Guarde este manual en un lugar seguro para poder consultarlo en cualquier momento y garantizar un uso seguro y adecuado del electrodoméstico.

Si vende este electrodoméstico, lo dona o lo deja al mudarse, asegúrese de entregar también este manual para que el nuevo propietario pueda familiarizarse con el electrodoméstico y las advertencias de seguridad.

Accesorios

Verifique los accesorios y la documentación según la siguiente lista:



**ADVERTENCIA: Información de seguridad importante****AVISO: Información general y consejos****Información medioambiental****Eliminación**

Ayude a proteger el medio ambiente y la salud humana. Tire el embalaje en los contenedores correspondientes para reciclarlo. Ayude a reciclar los residuos de aparatos eléctricos y electrónicos. No deseche los aparatos marcados con este símbolo en la basura doméstica. Lleve el producto a su planta de reciclaje local o póngase en contacto con su oficina municipal.

**¡ADVERTENCIA!**

¡Peligro de lesiones o asfixia!

Los refrigerantes y gases deben ser eliminados de forma profesional. Asegúrese de que la tubería del circuito refrigerante no está dañada antes de desecharla adecuadamente. Desconecte el electrodoméstico de la red eléctrica. Corte el cable de red y deséchelo. Quite las bandejas y los cajones, así como el asa de la puerta y las juntas, para evitar que los niños y las mascotas se queden encerrados en el electrodoméstico.



Antes de encender el electrodoméstico por primera vez, lea las siguientes directrices de seguridad:



¡ADVERTENCIA!

Antes del primer uso

- ▶ Asegúrese de que no haya daños causados por el transporte.
- ▶ Retire todo el embalaje y manténgalo fuera del alcance de los niños.
- ▶ Espere al menos dos horas antes de instalar el electrodoméstico para asegurarse de que el circuito refrigerante sea totalmente eficiente.
- ▶ Este electrodoméstico pesa mucho: manipúlelo con la ayuda de otra persona.

Instalación

- ▶ Este electrodoméstico debe colocarse en un lugar bien ventilado. Asegúrese de dejar un espacio libre de al menos 10 cm por encima y alrededor del electrodoméstico.
- ▶ No coloque el electrodoméstico en un área húmeda o en un lugar donde pueda recibir salpicaduras de agua. Limpie y seque las salpicaduras y manchas con un paño suave y limpio.
- ▶ No instale el electrodoméstico bajo la luz directa del sol o cerca de fuentes de calor (p. ej.: fogones, estufas...).
- ▶ Instale y nivele el electrodoméstico en un lugar adecuado para su tamaño y uso.
- ▶ No obstruya las aberturas de ventilación del armazón del electrodoméstico o de la estructura integrada.
- ▶ Asegúrese de que la información eléctrica de la placa de características técnicas coincida con la fuente de alimentación. Si no es así, póngase en contacto con un electricista.
- ▶ Este electrodoméstico funciona mediante una fuente de alimentación de 220-240 V CA/50 Hz. Una fluctuación anormal del voltaje puede provocar que el electrodoméstico no se ponga en marcha o que se dañe el control de temperatura o el compresor, o que se oiga un ruido anormal durante el funcionamiento. En tal caso, se deberá instalar un regulador automático.
- ▶ No utilice adaptadores de múltiples contactos ni cables de extensión.
- ▶ No ubique tomas de corriente múltiples portátiles ni fuentes de alimentación portátiles en la parte trasera del electrodoméstico.
- ▶ Asegúrese de que el cable de alimentación no quede aprisionado por el frigorífico. No oprima el cable de alimentación.



¡ADVERTENCIA!

- ▶ Utilice una toma de corriente a tierra separada para la fuente de alimentación a la que se pueda acceder fácilmente. Este electrodoméstico debe conectarse a tierra.

Solo para el Reino Unido: El cable de alimentación de este electrodoméstico está equipado con un enchufe de 3 cables (con puesta a tierra) que se ajusta a una toma de corriente estándar de 3 cables (puesta a tierra). No corte ni desmonte la tercera patilla (toma de tierra). Una vez instalado el electrodoméstico, el enchufe debe ser accesible.

- ▶ No dañe el circuito del refrigerante.

Uso diario

- ▶ Este electrodoméstico puede ser utilizado por niños a partir de 8 años y por personas con capacidades físicas, sensoriales o mentales reducidas, o sin experiencia o conocimientos previos, siempre y cuando hayan recibido la supervisión y las instrucciones necesarias para utilizar el electrodoméstico de forma segura y comprendan los riesgos que implica.
- ▶ Se permite que los niños de 3 a 8 años llenen y vacíen electrodomésticos de refrigeración, pero no están autorizados a limpiarlos o instalarlos.
- ▶ Mantenga alejados del electrodoméstico a los niños menores de 3 años a menos que estén constantemente supervisados.
- ▶ Los niños no deben jugar con este electrodoméstico.
- ▶ Si se filtra gas refrigerante u otro gas inflamable en las proximidades del electrodoméstico, apague la válvula del gas filtrado, abra las puertas y ventanas y no desconecte un enchufe en el cable de alimentación del frigorífico/ congelador o cualquier otro electrodoméstico.
- ▶ Tenga en cuenta que el electrodoméstico está configurado para funcionar en un intervalo de temperatura ambiente específico de entre 10 y 43 °C. El electrodoméstico no puede funcionar correctamente si se deja durante mucho tiempo a una temperatura superior o inferior al intervalo indicado.
- ▶ No coloque artículos inestables (objetos pesados, recipientes llenos de agua) en la parte superior del frigorífico, a fin de evitar lesiones personales causadas por caídas o descargas eléctricas causadas por el contacto con el agua.
- ▶ No tire de los estantes de la puerta. Se puede tirar de la puerta de forma inclinada, el botellero puede retirarse o el electrodoméstico puede volcar.
- ▶ Abra y cierre las puertas solamente usando las asas. El hueco entre las puertas y entre las puertas y el armario es muy estrecho. No ponga las manos en estas áreas para evitar pillarse los dedos. Abra o cierre las puertas del frigorífico solo cuando no haya niños dentro del área de movimiento de la puerta.



¡ADVERTENCIA!

- ▶ No almacene ni utilice elementos inflamables, explosivos o corrosivos en el electrodoméstico ni cerca de él.
- ▶ No guarde medicamentos, bacterias ni agentes químicos en el electrodoméstico. Este aparato es un electrodoméstico. No se recomienda almacenar materiales que requieran temperaturas extremas.
- ▶ Nunca almacene líquidos en botellas o latas (aparte de bebidas de alto grado alcohólico), especialmente las bebidas carbonatadas, en el congelador, ya que se romperían durante la congelación.
- ▶ Compruebe el estado de los alimentos si se ha producido un calentamiento en el congelador.
- ▶ No ajuste una temperatura demasiado baja sin necesidad en el compartimento frigorífico. Los ajustes más altos pueden generar temperaturas bajo cero. Atención: Las botellas pueden reventar.
- ▶ No toque los productos congelados con las manos mojadas (use guantes). Sobre todo, no coma hielo inmediatamente después de haberlo sacado del congelador. Existe el riesgo de congelación o de formación de ampollas. **PRIMEROS AUXILIOS:** poner inmediatamente bajo el grifo de agua fría. ¡No tirar!
- ▶ No toque la superficie interior del compartimento de almacenamiento del frigorífico cuando esté en funcionamiento, especialmente con las manos mojadas, ya que las manos pueden congelarse por la superficie.
- ▶ Desenchufe el electrodoméstico en caso de interrupción del suministro eléctrico o antes de limpiarlo. Espere al menos 7 minutos antes de volver a poner en marcha el aparato, ya que un arranque frecuente puede dañar el compresor.
- ▶ No deben utilizarse dispositivos eléctricos dentro de los compartimentos para alimentos del electrodoméstico, salvo que sean del tipo recomendado por el fabricante. Mantenimiento / limpieza
- ▶ Asegúrese de que los niños están bajo supervisión si realizan tareas de limpieza y mantenimiento.
- ▶ Desconecte el electrodoméstico de la red eléctrica antes de realizar cualquier mantenimiento rutinario. Deje pasar al menos 5 minutos antes de reiniciar el electrodoméstico, ya que el arranque frecuente puede dañar el compresor.

**¡ADVERTENCIA!**

- ▶ Cuando desenchufe el electrodoméstico, hágalo por la clavija, no por el cable.
- ▶ No limpie el electrodoméstico con cepillos duros, cepillos de alambre, detergente en polvo, gasolina, acetato de amilo, acetona y soluciones orgánicas similares, soluciones ácidas o alcalinas. Limpie con un detergente especial para frigoríficos para evitar daños.
- ▶ No raspe la escarcha y el hielo con objetos afilados. No utilice aerosoles, calentadores eléctricos como secadores de pelo, limpiadores a vapor u otras fuentes de calor para evitar dañar las piezas de plástico.
- ▶ No utilice dispositivos mecánicos ni otros equipos para acelerar el proceso de descongelación, salvo aquellos recomendados por el fabricante.
- ▶ Si el cable de alimentación está dañado, debe ser sustituido por el fabricante, por su servicio técnico o por cualquier profesional cualificado similar para evitar riesgos.
- ▶ No intente reparar, desmontar o modificar este electrodoméstico por su cuenta. En caso de reparación, póngase en contacto con nuestro servicio de atención al cliente.
- ▶ Saque el polvo de la parte posterior de la unidad al menos una vez al año para evitar el riesgo de incendio, así como un mayor consumo de energía.
- ▶ No rocíe ni enjuague el electrodoméstico durante la limpieza.
- ▶ No use agua pulverizada o vapor para limpiar el electrodoméstico.
- ▶ No limpie los estantes de cristal fríos con agua caliente. Un cambio repentino de temperatura puede causar que el cristal se rompa.

Información sobre el gas refrigerante**¡ADVERTENCIA!**

Este electrodoméstico contiene el refrigerante inflamable ISOBUTANO (R600a). Asegúrese de no dañar el circuito refrigerante durante el transporte o la instalación. La fuga de refrigerante puede causar lesiones oculares o incendios. Si se produce algún daño, manténgase alejado de llamas abiertas, ventile bien la habitación y no conecte o desconecte los cables de alimentación de este ni de cualquier otro electrodoméstico. Informe al servicio de atención al cliente.

En caso de que los ojos entren en contacto con el refrigerante, enjuáguelos inmediatamente con agua corriente y llame inmediatamente a un oftalmólogo.



Uso previsto

Este electrodoméstico está diseñado para enfriar y congelar alimentos. Ha sido diseñado exclusivamente para su uso en aplicaciones domésticas y similares, como áreas de cocina para personal de tiendas, oficinas y otros entornos de trabajo; granjas y el uso por clientes en hoteles, moteles y otros entornos de tipo residencial, así como en alojamientos y restauración. No está destinado a un uso comercial o industrial. No se permite realizar cambios o modificaciones en el electrodoméstico. Un uso no previsto puede causar riesgos y la pérdida de los derechos de reclamación por garantía.

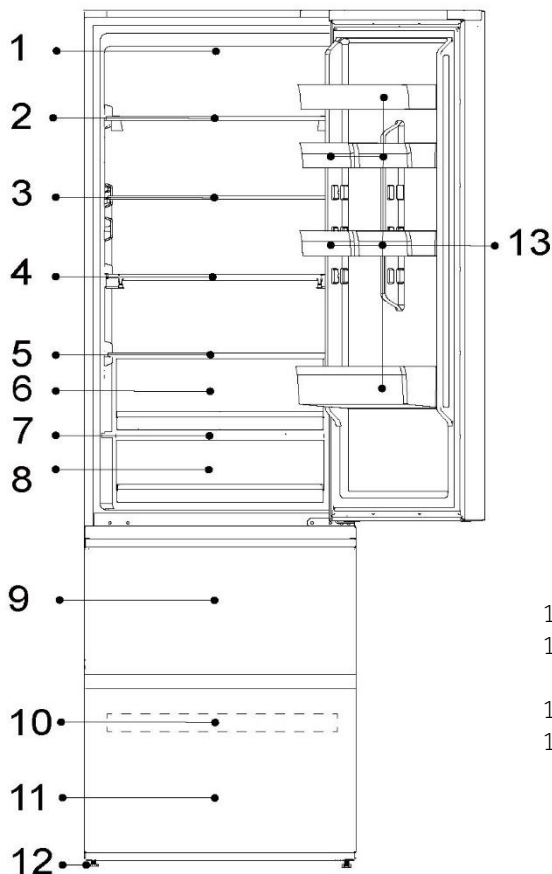
Normas y directivas

Este producto cumple los requisitos de todas las directivas CE aplicables con las correspondientes normas acordadas, que establecen el marcado CE.

i AVISO

Debido a cambios técnicos y a las diferencias entre modelos, algunas de las ilustraciones de este manual pueden diferir del modelo.

(HTW5620EN*, HTW5620DN*, HTW5620CN*)



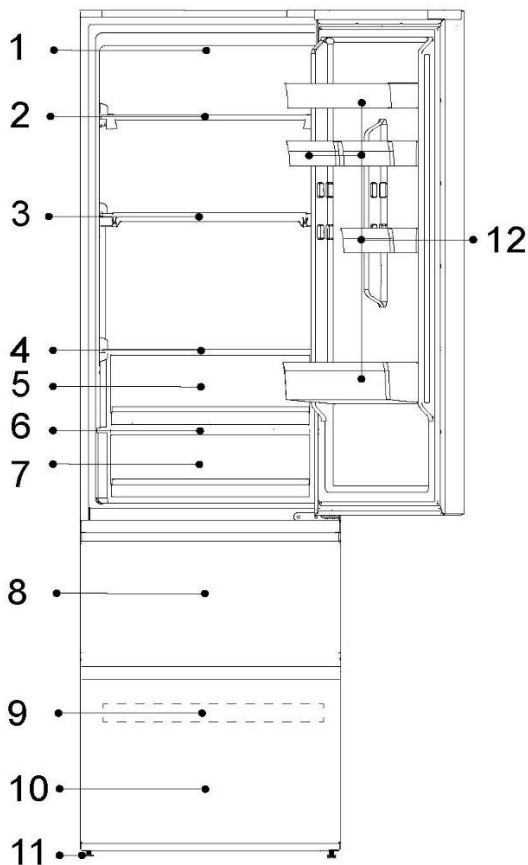
- 1-Lámpara LED del frigorífico
- 2-Estante para el vino
- 3-Estante de cristal
- 4-Estante plegable
- 5-Tapa del cajón Humidity Zone
- 6-Cajón Humidity Zone
- 7-Tapa del cajón My Zone
- 8-Cajón My Zone
- 9-Cajón de almacenamiento superior del congelador
- 10-Bandeja del congelador
- 11-Cajón de almacenamiento inferior del congelador
- 12-Patas ajustables
- 13-Estante de la puerta



i AVISO

Debido a cambios técnicos y a las diferencias entre modelos, algunas de las ilustraciones de este manual pueden diferir del modelo.

(HTW5618DN*, HTW5618CN*, HTW5618EN*)

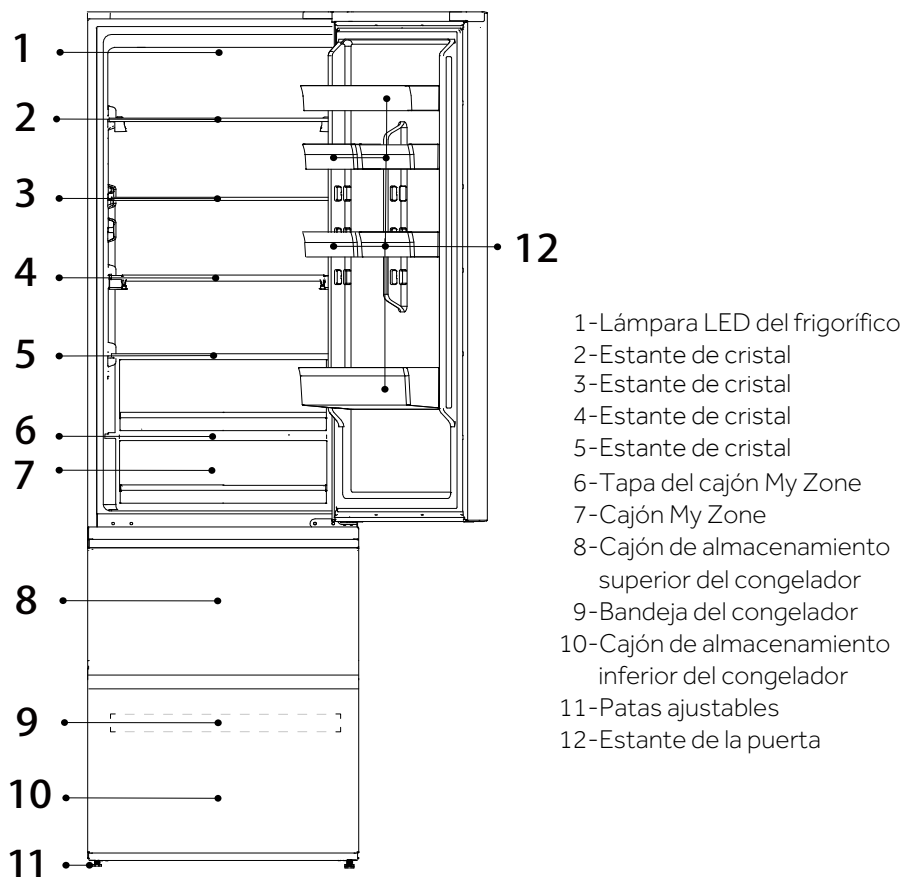


- 1-Lámpara LED del frigorífico
- 2-Estante para el vino
- 3-Estante plegable
- 4-Tapa del cajón Humidity Zone
- 5-Cajón Humidity Zone
- 6-Tapa del cajón My Zone
- 7-Cajón My Zone
- 8-Cajón de almacenamiento superior del congelador
- 9-Bandeja del congelador
- 10-Cajón de almacenamiento inferior del congelador
- 11-Patas ajustables
- 12-Estante de la puerta

i AVISO

Debido a cambios técnicos y a las diferencias entre modelos, algunas de las ilustraciones de este manual pueden diferir del modelo.

(HTW3620EN*, HTW3620DN*, HTW3620CN*)

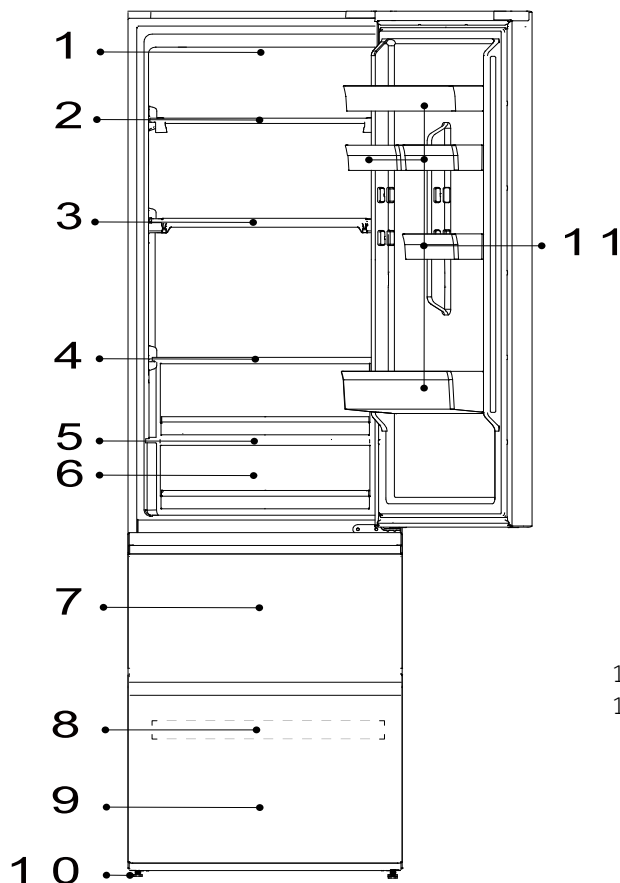


- 1-Lámpara LED del frigorífico
- 2-Estante de cristal
- 3-Estante de cristal
- 4-Estante de cristal
- 5-Estante de cristal
- 6-Tapa del cajón My Zone
- 7-Cajón My Zone
- 8-Cajón de almacenamiento superior del congelador
- 9-Bandeja del congelador
- 10-Cajón de almacenamiento inferior del congelador
- 11-Patas ajustables
- 12-Estante de la puerta

i AVISO

Debido a cambios técnicos y a las diferencias entre modelos, algunas de las ilustraciones de este manual pueden diferir del modelo.

(HTW3618EN*, HTW3618DN*, HTW3618CN*)

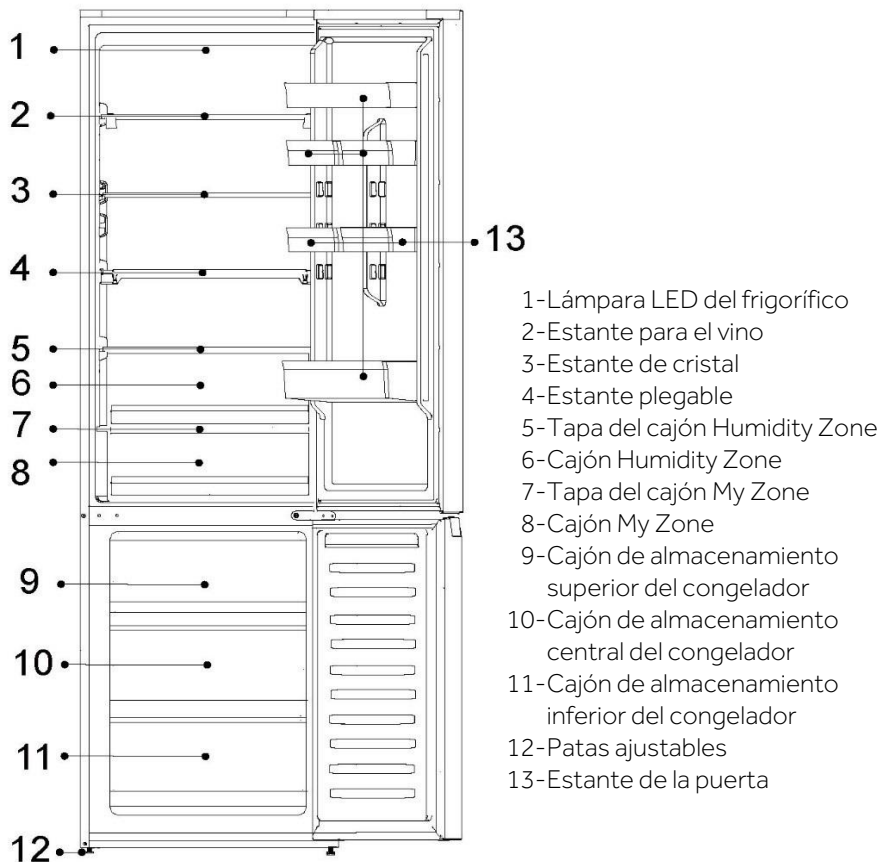


- 1-Lámpara LED del frigorífico
- 2-Estante de cristal
- 3-Estante de cristal
- 4-Estante de cristal
- 5-Tapa del cajón My Zone
- 6-Cajón My Zone
- 7-Cajón de almacenamiento superior del congelador
- 8-Bandeja del congelador
- 9-Cajón de almacenamiento inferior del congelador
- 10-Patas ajustables
- 11-Estante de la puerta

i AVISO

Debido a cambios técnicos y a las diferencias entre modelos, algunas de las ilustraciones de este manual pueden diferir del modelo.

(HDPW5620DN*, HDPW5620CN*, HDPW5620BN*, HDPW5620AN*)

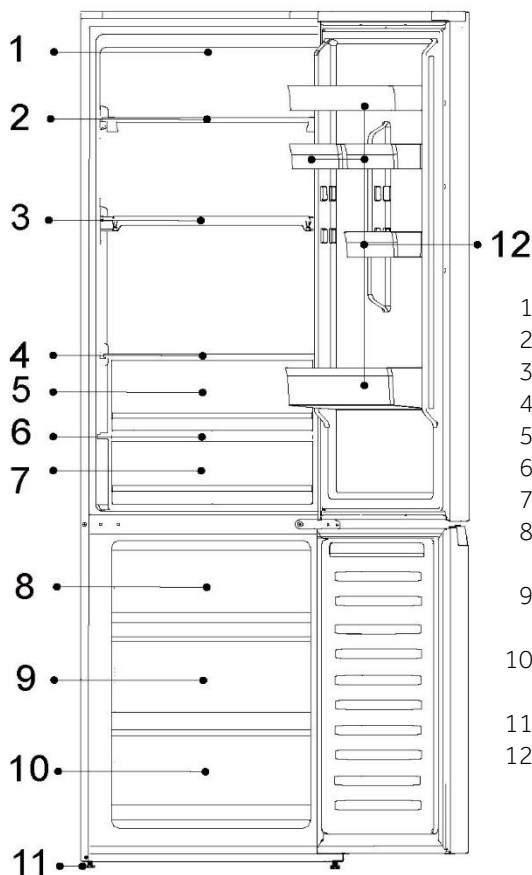




i AVISO

Debido a cambios técnicos y a las diferencias entre modelos, algunas de las ilustraciones de este manual pueden diferir del modelo.

(HDPW5618DN*, HDPW5618CN*)

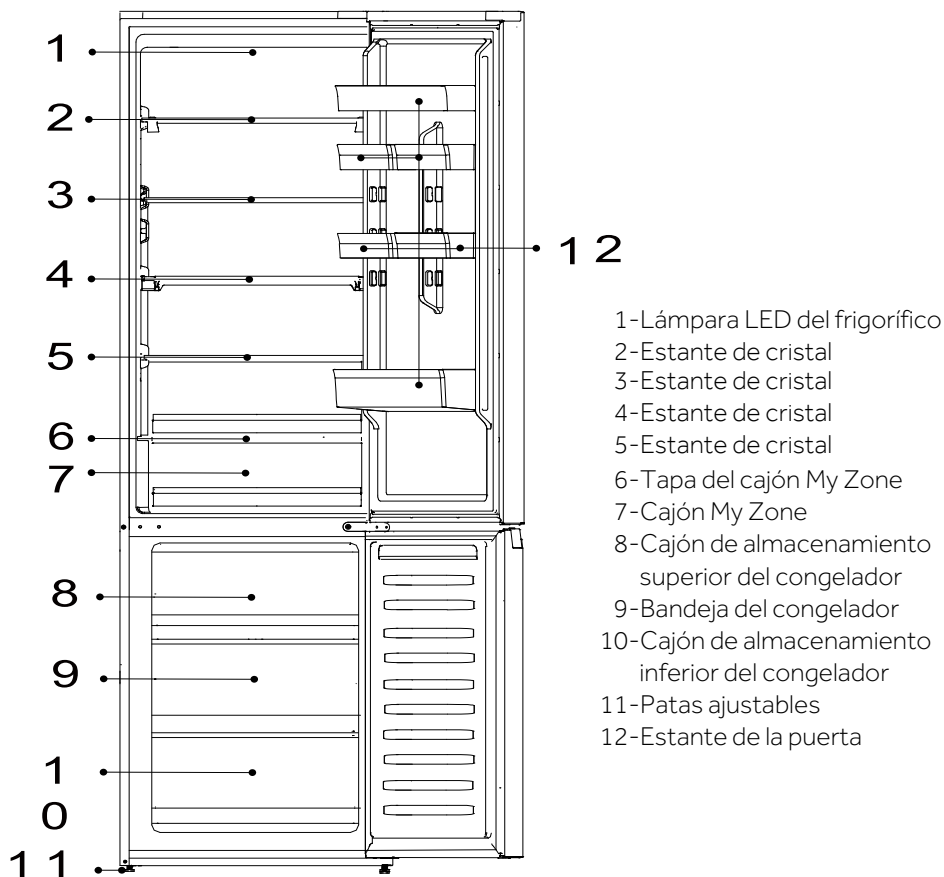


- 1-Lámpara LED del frigorífico
- 2-Estante para el vino
- 3-Estante plegable
- 4-Tapa del cajón Humidity Zone
- 5-Cajón Humidity Zone
- 6-Tapa del cajón My Zone
- 7-Cajón My Zone
- 8-Cajón de almacenamiento superior del congelador
- 9-Cajón de almacenamiento central del congelador
- 10-Cajón de almacenamiento inferior del congelador
- 11-Patas ajustables
- 12-Estante de la puerta

i AVISO

Debido a cambios técnicos y a las diferencias entre modelos, algunas de las ilustraciones de este manual pueden diferir del modelo.

(HDPW3620DN*, HDPW3620CN*)

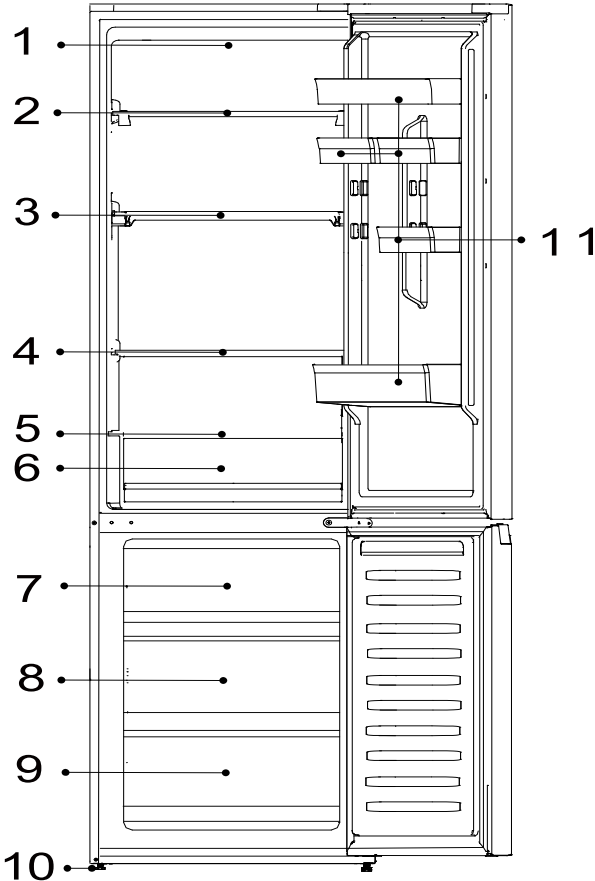


- 1-Lámpara LED del frigorífico
- 2-Estante de cristal
- 3-Estante de cristal
- 4-Estante de cristal
- 5-Estante de cristal
- 6-Tapa del cajón My Zone
- 7-Cajón My Zone
- 8-Cajón de almacenamiento superior del congelador
- 9-Bandeja del congelador
- 10-Cajón de almacenamiento inferior del congelador
- 11-Patas ajustables
- 12-Estante de la puerta



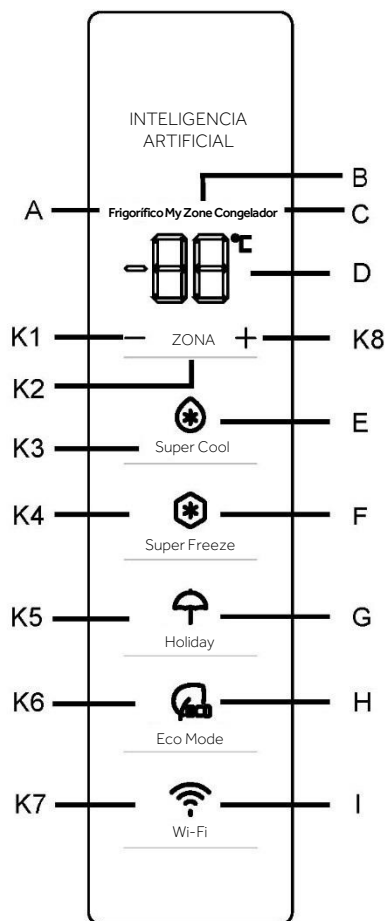
i AVISO

Debido a cambios técnicos y a las diferencias entre modelos, algunas de las ilustraciones de este manual pueden diferir del modelo.
(HDPW3618DN*, HDPW3618CN*)



- 1-Lámpara LED del frigorífico
- 2-Estante de cristal
- 3-Estante de cristal
- 4-Estante de cristal
- 5-Tapa del cajón My Zone
- 6-Cajón My Zone
- 7-Cajón de almacenamiento superior del congelador
- 8-Bandeja del congelador
- 9-Cajón de almacenamiento inferior del congelador
- 10-Patas ajustables
- 11-Estante de la puerta

Panel de control



Indicadores:

- A Compartimento frigorífico
- B Compartimento frigorífico (My Zone)
- C Compartimento congelador
- D Indicador de temperatura
- E Función Super Cool
- F Función Super Freeze
- G Función Holiday
- H Función Eco Mode
- I Función Wi-Fi

Botones:

- K1 Disminución de temperatura
- K2 Selección de frigorífico, My Zone y congelador
- K3 Encendido/apagado de la función Super Cool
- K4 Encendido/apagado de la función Super Freeze
- K5 Encendido/apagado de la función Holiday
- K6 Encendido/apagado de la función Eco Mode
- K7 Encendido/apagado de la función Wi-Fi
- K8 Aumento de temperatura

Antes del primer uso

Retire todo el material de embalaje, manténgalo fuera del alcance de los niños y deséchelo de forma respetuosa con el medio ambiente.

Limpie el interior y el exterior del electrodoméstico, así como el interior y los accesorios con agua y un detergente suave, y séquelo bien con un paño suave.

Después de nivelar y limpiar el electrodoméstico, espere al menos 2 horas antes de conectarlo a la fuente de alimentación. Ver sección **INSTALACIÓN**.



Enfríe previamente los compartimentos a altas temperaturas antes de llenarlos de alimentos. La función Super Freeze ayuda a enfriar rápidamente el compartimento del congelador.

Teclas táctiles

Los botones del panel de control son teclas táctiles, que responden aún cuando las toca ligeramente con el dedo.

Encender/apagar el electrodoméstico

El electrodoméstico se pondrá en marcha en cuanto se conecte a la fuente de alimentación.

Cuando el aparato se enciende por primera vez, los indicadores de temperatura "D" muestran los valores preestablecidos (consulte la Nota siguiente).



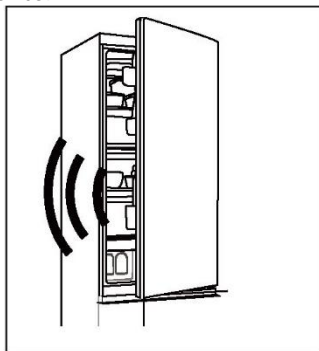
AVISO

El electrodoméstico está preestablecido a la temperatura recomendada de 5 °C (frigorífico) y -18 °C (congelador). La temperatura de My Zone está preestablecida en aproximadamente 2 °C. Estos son los ajustes recomendados. Si lo desea, puede cambiar estas temperaturas manualmente.

Alarma de apertura de la puerta

Cuando la puerta del frigorífico esté abierta durante más de 3 minutos, la alarma de apertura de la puerta sonará.

La alarma puede ser silenciada cerrando la puerta. Si la puerta se deja abierta durante más de 7 minutos, la luz del frigorífico y la iluminación del panel de control se apagarán automáticamente.



Ajuste de la temperatura

Las temperaturas interiores están influenciadas por los siguientes factores:

- ▶ Temperatura ambiente
- ▶ Frecuencia de apertura de la puerta



- ▶ Cantidad de alimentos almacenados
- ▶ Instalación del electrodoméstico

Ajuste de la temperatura del frigorífico

1. Pulse el botón "K2" (Selección de frigorífico/(My Zone)/congelador) para seleccionar el compartimento frigorífico. El icono "A" (Compartimento frigorífico) y "D" (Indicador de temperatura) se iluminan.
2. Pulse el botón "K1/K8" para ajustar la temperatura del frigorífico.

La temperatura aumenta en secuencias de 1 °C, desde un mínimo de 2 °C hasta un máximo de 8 °C. La temperatura óptima del frigorífico es de 5 °C. Las temperaturas más frías suponen un consumo innecesario de energía.

3. Después de aproximadamente 5 segundos, el icono de temperatura "D" (indicador de temperatura) se iluminará de forma permanente y se confirmará la configuración.

Ajustar la temperatura del congelador

1. Pulse el botón "K2" (Selección de frigorífico/(My Zone)/congelador) para seleccionar el compartimento congelador. El icono "C" (Compartimento congelador) y "D" (Indicador de temperatura) se iluminan.
2. Pulse el botón "K1/K8" para ajustar la temperatura del congelador.

La temperatura aumenta en secuencias de 1 °C, desde un mínimo de -24 °C hasta un máximo de -16 °C. La temperatura óptima en el frigorífico es de -18 °C. Temperaturas más frías implican un consumo innecesario de energía.

3. Después de aproximadamente 5 segundos, el indicador de temperatura "D" (indicador de temperatura) se iluminará de forma permanente y se confirmará la configuración.

Ajustar la temperatura de My Zone

El compartimento frigorífico está equipado con un cajón My Zone. De acuerdo con las necesidades de almacenamiento de los alimentos, se puede seleccionar la temperatura más adecuada para obtener el valor nutricional óptimo de los alimentos.

1. Pulse el botón "K2" (Selección de frigorífico/(My Zone)/congelador) para seleccionar el compartimento My Zone. El icono "B" (Compartimento My Zone) y "D" (Indicador de temperatura) se iluminan.
2. Pulse el botón "K1/K8" para ajustar la temperatura de My Zone.

La temperatura aumenta en secuencias de 1 °C, desde un mínimo de 0 °C hasta un máximo de 5 °C.



3. Después de aproximadamente 5 segundos, el icono de temperatura "D" (indicador de temperatura) se iluminará de forma permanente y se confirmará la configuración.

AVISO

1. Puede ajustar la temperatura del compartimento My Zone en el nivel medio (2 °C) con el fin de conservar sus alimentos en el entorno de almacenamiento óptimo.
2. Debido a los diferentes contenidos de agua de la carne, algunas carnes con más humedad se congelan a temperaturas inferiores a 0 °C. Por lo tanto, la carne acabada de cortar debe almacenarse en el cajón My Zone con temperaturas mínimas de 0 °C.
3. Las frutas sensibles al frío como la piña, el aguacate, los plátanos o los pomelos, y las verduras como las patatas, las berenjenas, las judías, los pepinos, los calabacines o los tomates, así como el queso, no deben guardarse en el cajón My Zone.
4. Si la temperatura del frigorífico es inferior a la temperatura de My Zone, es normal que la temperatura de My Zone sea inferior a la temperatura de ajuste de My Zone.

AVISO

Después de ajustar la temperatura, si se pulsan otros botones en 5 segundos, el ajuste de temperatura actual se confirmará inmediatamente. Si no se toca ningún botón en el plazo de 5 segundos, el ajuste de temperatura actual se visualizará hasta que la pantalla se apague.

AVISO

Desde la aplicación es posible personalizar la temperatura del frigorífico, del congelador y de My Zone. La temperatura se puede ajustar con una sensibilidad de 1 °C.

Función Super Cool

1. Se recomienda activar la función Super Cool si se debe guardar una gran cantidad de alimentos (por ejemplo, después de la compra). La función Super Cool acelera el enfriamiento de los alimentos frescos y protege la comida almacenada de un calentamiento indeseado.
2. Pulse el botón "K3" o enciéndala desde la aplicación, el icono "E" (Función Super Cool) se ilumina y la función está activada.

i AVISO

1. El aparato sale de la "Función Super Cool" después de estar en la "Función Super Cool" durante 6 horas o de pulsar el botón "K3" cuando el icono "E" (Función Super Cool) está iluminado o se apaga desde la aplicación.
2. En el estado Super Cool, si se ajusta la temperatura del compartimento frigorífico, el icono "E" (Función Super Cool) parpadea para indicar que esta operación no se puede realizar.

Función Super Freeze

1. Los alimentos frescos deben congelarse lo antes posible hasta su núcleo. Esto permite conservar su mejor valor nutricional, aspecto y sabor. La función Super Freeze acelera el enfriamiento de los alimentos frescos y protege la comida almacenada de un calentamiento indeseado. Si necesita congelar una gran cantidad de alimentos a la vez, se recomienda configurar la función Super Freeze durante 24 horas antes del uso del congelador.
2. Pulse el botón "K4" (Ajuste de la función Super Freeze) o enciéndala desde la aplicación, el icono "F" (Función Super Freeze) se ilumina y se activa la función.

i AVISO

1. El aparato sale de la "Función Super Freeze" después de estar en la "Función Super Freeze" durante 50 horas o de pulsar la tecla "K4" cuando el icono "F" (Función Super Freeze) está iluminado o se apaga desde la aplicación.
2. En el estado Super Freeze, si se ajusta la temperatura del compartimento congelador, el icono "F" (Función Super Freeze) parpadea para indicar que esta operación no se puede realizar.

Función Holiday

La función Holiday puede utilizarse para reducir el consumo de energía del electrodoméstico, si éste no se utiliza con regularidad. Cuando la función está activada, el frigorífico se apaga, mientras que el congelador seguirá funcionando con normalidad. Esta función ajusta la temperatura del frigorífico de forma permanente a 17 °C.

Esto permite mantener la puerta del frigorífico vacía cerrada sin que se formen olores o moho durante una larga ausencia (p.ej. durante las vacaciones). El compartimento congelador puede configurarse libremente.

1. Pulse el botón "K5" (Encendido/apagado de la función Holiday) o seleccione la función desde la aplicación, el icono "G" (Función Holiday) se ilumina y se activa la función.



2. La función se puede desactivar pulsando el botón "K5" (Encendido/apagado de la función Holiday), o bien ajustando la temperatura del frigorífico o realizando cualquier otro ajuste o desactivándola desde la app.

AVISO

1. Durante la función Holiday, no se deben guardar alimentos en el compartimento frigorífico. La temperatura de 17 °C es demasiado alta para almacenar alimentos.
2. Cuando la función Holiday está encendida, el icono de My Zone se mantiene apagado y la función Frigorífico está bloqueada. Si se ajusta la temperatura del compartimento frigorífico, el icono "G" (Función Holiday) parpadea para indicar que esta operación no se puede realizar.

Función Eco Mode

Eco Mode puede activarse para optimizar el rendimiento del aparato, obteniendo al mismo tiempo la mejor conservación de los alimentos. Si usted no tiene ningún requisito especial, le recomendamos que utilice la función Eco Mode.

En este modo la temperatura del frigorífico es de 5 °C, y la temperatura del congelador es de -18 °C.

1. Pulse el botón "K6" (Encendido/apagado de la función Eco Mode) o seleccione la función desde la aplicación.
2. El icono "H" (Función Eco Mode) se ilumina y se activa la función. Repitiendo los pasos anteriores, seleccionando otra función o apagándola desde la app es posible volver a desactivar esta función. Los niveles de refrigeración previamente establecidos se restauran.

AVISO

Durante la función Eco Mode, si se ajusta la temperatura del compartimento frigorífico/congelador, el icono "H" (función Eco Mode) parpadea para indicar que no se puede realizar esta operación.

Paso 1 Descargue la aplicación hOn de la tienda de aplicaciones.



Paso 2 Cree su cuenta en la aplicación hOn o inicie sesión si ya tiene una.



Paso 3 Siga las instrucciones de emparejamiento en la aplicación hOn.



Función Wi-Fi

1. Siga las instrucciones de la aplicación para configurar el Wi-Fi.
2. Una vez que se ha configurado el Wi-Fi y se ha establecido la conexión, el icono de Wi-Fi "I" se ilumina de forma fija.
3. Si el Wi-Fi ya ha sido configurado, se reconectará automáticamente de acuerdo con la información de configuración si se enciende el Wi-Fi.

AVISO

1. Para apagar el Wi-Fi, pulse el botón de Wi-Fi "K7" y el icono de Wi-Fi "I" se apagará.
2. Para encender el Wi-Fi e iniciar la configuración, pulse el botón de Wi-Fi "K7" y el icono de Wi-Fi "I" empezará a parpadear lentamente. Si desea configurar la función Wi-Fi, pulse el botón "K7" durante 3 segundos, el icono de Wi-Fi parpadea rápidamente y se accede al modo de configuración. Si desea desactivar la función Wi-Fi, pulse el botón "K7" una vez. Se repiten los pasos anteriores.
3. Si el producto se ha configurado y se apaga la función Wi-Fi, el frigorífico no entrará en el modo de configuración después de volver a conectar la alimentación.

AVISO

1. Este producto no está destinado a un uso comercial.
2. Potencia máxima de salida de RF: Wi-Fi de 2,4 GHz: 16 dBm.
3. Bluetooth® Low Energy: 5 dBm; Bluetooth®BR/EDR: 10 dBm.
4. Banda de frecuencia de funcionamiento: 2400-2483,5 MHz.



La palabra y los logotipos Bluetooth® son marcas registradas propiedad de Bluetooth SIG, Inc., y cualquier uso de dichas marcas por parte de Candy Hoover Group SRL se realiza bajo licencia. Las demás marcas comerciales y nombres comerciales pertenecen a sus respectivos propietarios.

Almacenar en el compartimento frigorífico

- Mantenga la temperatura de su frigorífico por debajo de los 5° C.
- Los alimentos calientes deben haberse enfriado a temperatura ambiente antes de ser almacenados en el electrodoméstico.
- Los alimentos almacenados en el frigorífico deben lavarse y secarse antes de almacenarse.
- Los alimentos a almacenar deben estar debidamente sellados para evitar olores o alteraciones del sabor.
- No almacene cantidades excesivas de comida. Deje espacio entre los alimentos para permitir que el aire frío fluya alrededor de ellos y lograr una refrigeración mejor y más homogénea.
- Los alimentos consumidos diariamente deben almacenarse en la parte frontal del estante.
- Deje espacio entre los alimentos y las paredes interiores, permitiendo que el aire fluya. De cualquier modo, se recomienda que los alimentos no toquen la pared trasera: los alimentos podrían congelarse contra la pared trasera. Evite el contacto directo de los alimentos (especialmente alimentos aceitosos o ácidos) con el revestimiento interno, ya que el aceite/ácido puede erosionarlo. Limpie los restos de aceite/ácido cuando los encuentre.
- Los alimentos congelados se pueden descongelar suavemente en el compartimiento frigorífico. Esto ahorra energía.
- El proceso de maduración de las frutas y verduras como calabacines, melones, papaya, plátano, piña, etc. se puede acelerar en el frigorífico. Por lo tanto, no se recomienda conservarlos en el frigorífico. Sin embargo, se puede promover la maduración de algunas frutas durante un cierto período. Las cebollas, el ajo, el jengibre y otras raíces también deben almacenarse a temperatura ambiente.
- Los malos olores en el interior del frigorífico son un signo de que algo se ha derramado y se requiere limpieza. Vea Cuidado y limpieza.
- Los diferentes alimentos deben colocarse en diferentes áreas según sus propiedades.

Conservación en el compartimento congelador

- Mantenga la temperatura del congelador a -18 °C.
- 24 horas antes de la congelación, encienda la función Super-Freeze. Para pequeñas cantidades de alimentos, 4-6 horas son suficientes.
- Los alimentos calientes deben haberse enfriado a temperatura ambiente antes de ser almacenados en el congelador.
- Los alimentos cortados en porciones pequeñas se congelarán más rápido y serán más fáciles de descongelar y cocinar. El peso recomendado para cada porción es de menos de 2,5 kg.



- Es mejor envasar los alimentos antes de introducirlos en el congelador. El exterior del envase debe estar seco para evitar que las bolsas se peguen. Los materiales de envasado deben ser inodoros, herméticos, no venenosos y no tóxicos.
- Para evitar la expiración de los periodos de conservación, anote la fecha de congelación, el límite de tiempo y el nombre de los alimentos en el envase según los periodos de conservación de los diferentes alimentos.



¡ADVERTENCIA!

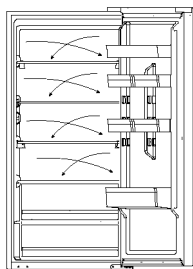
- ▶ El ácido, la alcalinidad y la sal, etc. podrían erosionar la superficie interna del congelador.
- ▶ No coloque los alimentos que contengan estas sustancias (p.ej.: pescados marinos) directamente sobre la superficie interna. El agua salada en el congelador debe limpiarse inmediatamente.
- ▶ No supere el tiempo de almacenamiento recomendado por los fabricantes. Saque solo la cantidad necesaria de alimentos del congelador.
- ▶ Consuma rápidamente los alimentos descongelados. Los alimentos descongelados no pueden volver a congelarse a menos que se cuezan antes; de lo contrario, pueden no ser comestibles.
- ▶ No cargue cantidades excesivas de alimentos frescos en el congelador. Consulte la capacidad de congelación del congelador (Vea los DATOS TÉCNICOS o los datos de la placa).
- ▶ Los alimentos pueden almacenarse en el congelador a una temperatura mínima de -18°C de 2 a 12 meses, dependiendo de sus propiedades (p. ej. carne: 3-12 meses, verduras: 6-12 meses)
- ▶ Cuando congele alimentos frescos, evite ponerlos en contacto con alimentos ya congelados. ¡Riesgo de descongelación!

Cuando guarde alimentos congelados en tienda, siga estas directrices:

- Siempre siga las directrices de los fabricantes sobre el tiempo que debe almacenar los alimentos. ¡No exceda estas directrices!
- Trate de que el tiempo que pasa entre la compra y el almacenamiento sea el menor posible para preservar la calidad de los alimentos.
- Compre alimentos congelados que se hayan conservado a una temperatura de -18°C o menos.
- Evite comprar alimentos que tengan hielo o escarcha en el envase: esto indica que los productos podrían haber sido parcialmente descongelados y recongelados en algún punto (el aumento de la temperatura afecta a la calidad de los alimentos).

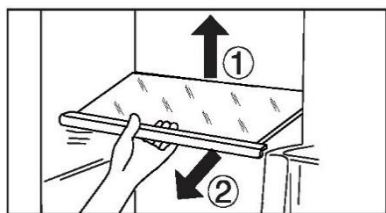
i AVISO

Debido a la existencia de diferentes modelos, es posible que su producto no tenga todas las características siguientes. Consulte el apartado Descripción del producto.



Flujo de aire múltiple

El frigorífico está equipado con un sistema de flujo de aire múltiple, con el que se aseguran corrientes de aire frío en cada nivel de estante. Esto ayuda a mantener una temperatura uniforme para asegurar que sus alimentos se mantienen frescos por más tiempo.



Estante ajustable

1. La altura de los estantes se puede ajustar para adaptarse a sus necesidades de almacenamiento.
2. Para reubicar un estante, retírelo primero levantando su borde posterior ① y extráigalo ②.
3. Para volver a instalarlo, colóquelo en los rieles de ambos lados y empuje hasta que la parte trasera del estante se fije dentro de las ranuras laterales.

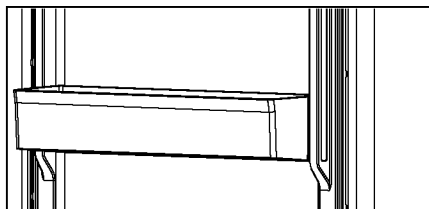
i AVISO

Asegúrese de que todos los extremos del estante estén nivelados.

Estante de la puerta extraíble

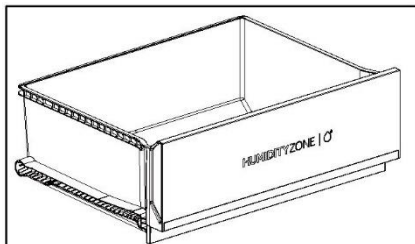
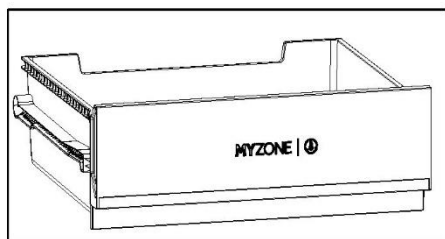
El estante de la puerta se puede retirar para su limpieza:

Coloque las manos en cada lado del estante, levántelo hacia arriba (1) y extráigalo (2). Para insertar el estante de la puerta, realice los pasos anteriores en orden inverso.



Cajón My Zone

Para utilizar y configurar el compartimento My Zone, revise la sección USO (My Zone).



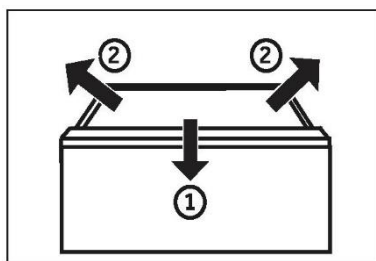
Cajón Humidity Zone

En este compartimento, el nivel de humedad está controlado automáticamente por el sistema y es adecuado para guardar fruta, verdura, ensaladas, etc.

Cajón extraíble

Para sacar el cajón del compartimento frigorífico o congelador, tire al máximo (1), levante y retire (2).

Para insertar el cajón, realice los pasos anteriores en orden inverso.



Cajón del congelador

El cajón del congelador se puede extender de forma recta y completa. Están montados en un riel telescópico de fácil desplazamiento. Así puede almacenar y extraer los alimentos congelados cómodamente. Gracias al mecanismo automático de cierre de la puerta, el manejo es fácil y puede ahorrar energía.



¡ADVERTENCIA!

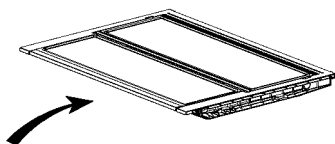
No sobrecargue los cajones: Carga máxima de cada cajón: ¡35 kg!

Luz

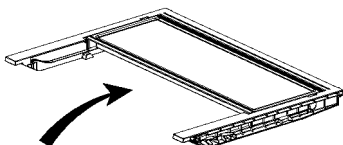
La luz interior LED se enciende al abrir la puerta. El rendimiento de las luces no se ve afectado por ninguna de las otras configuraciones del electrodoméstico.

Estante plegable

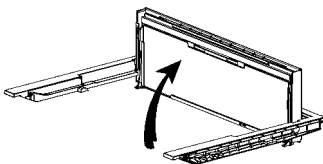
El estante plegable permitirá al usuario poner botellas o artículos altos en los estantes. El estante se puede plegar en la parte posterior, y así el espacio disponible del estante inferior será más grande. El estante se puede plegar según los pasos 1-3. Si desea volver al diseño original, invierta los siguientes procedimientos.



Paso 1: Empuje lentamente la parte frontal del estante hasta el final.



Paso 2: Empuje el estante hacia arriba lentamente hasta ponerlo en vertical.



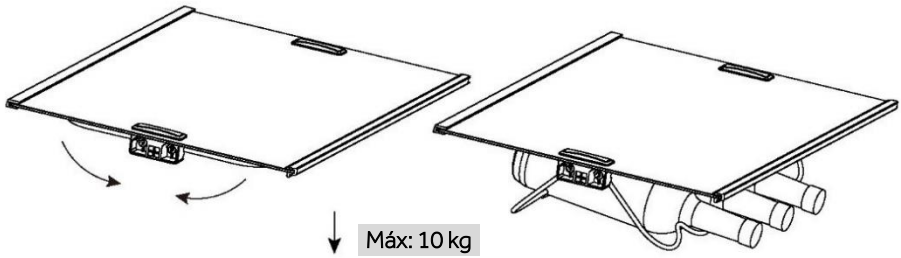
Paso 3: El estante queda vertical. Ahorrará espacio.

Estante para el vino plegable

Para el uso normal

1. Tire hacia abajo los soportes del estante para el vino.
2. Coloque las botellas en el botellero.

Cuando no se utiliza, el estante para el vino se puede plegar para ahorrar espacio.





Consejos de ahorro de energía

- ▶ Asegúrese de que el electrodoméstico esté bien ventilado (vea INSTALACIÓN).
- ▶ No instale el electrodoméstico bajo la luz directa del sol o cerca de fuentes de calor (p. ej.: fogones, estufas...).
- ▶ Evite una temperatura innecesariamente baja en el electrodoméstico. El consumo de energía aumenta con la disminución de la temperatura de ajuste en el electrodoméstico.
- ▶ Las funciones como SUPER FREEZE consumen más energía.
- ▶ Deje enfriar los alimentos calientes antes de introducirlos en el electrodoméstico.
- ▶ Abra la puerta del electrodoméstico lo menos y lo más brevemente posible.
- ▶ No llene en exceso el electrodoméstico para evitar obstruir la circulación de aire.
- ▶ Evite la presencia de aire dentro del embalaje de los alimentos.
- ▶ Mantenga las juntas de la puerta limpias para que la puerta se cierre siempre correctamente.
- ▶ Descongele alimentos congelados en el compartimento de almacenamiento del frigorífico o utilice la función D-Frost en el cajón My Zone.
- ▶ La configuración que ahorra más energía requiere que el cajón, las fiambreras y los estantes se coloquen en el electrodoméstico según el estado de fábrica, y que los alimentos se coloquen de modo que no bloqueen la salida de aire del conducto.



¡ADVERTENCIA!

Limpieza

Limpie el electrodoméstico solo cuando haya pocos o ningún alimento guardado.

Este electrodoméstico debe limpiarse cada cuatro semanas para realizar un buen mantenimiento y evitar malos olores.



¡ADVERTENCIA!

- ▶ No limpie el electrodoméstico con cepillos duros, cepillos de alambre, detergente en polvo, gasolina, acetato de amilo, acetona y soluciones orgánicas similares, soluciones ácidas o alcalinas. Limpie con un detergente especial para frigoríficos para evitar daños.
- ▶ No rocíe ni enjuague el electrodoméstico durante la limpieza.
- ▶ No use agua pulverizada o vapor para limpiar el electrodoméstico.
- ▶ No limpie los estantes de cristal fríos con agua caliente. Un cambio repentino de temperatura puede causar que el cristal se rompa.
- ▶ No toque la superficie interior del compartimento del electrodoméstico, especialmente con las manos mojadas, ya que las manos pueden congelarse en la superficie.
- ▶ En caso de calentamiento, compruebe el estado de los productos congelados.



- ▶ Mantenga siempre limpia la junta de la puerta.
- ▶ Limpie el interior y el armazón del electrodoméstico con una esponja humedecida en agua tibia y detergente neutro.
- ▶ 1. Frote el interior y el exterior del frigorífico, incluyendo la junta de la puerta, los estantes de la puerta, los estantes de cristal, los cajones, etc., con una toalla suave o una esponja sumergida en agua caliente (se puede añadir detergente neutro).
- ▶ 2. Si hay líquido derramado, retire todas las piezas contaminadas, enjuague directamente con agua corriente, seque y coloque las piezas de nuevo en el frigorífico.
- ▶ 3. Si hay productos cremosos derramados (como nata, helado derretido...), retire todas las piezas contaminadas, póngalas en agua caliente a unos 40 °C durante un rato, enjuague con agua corriente, séquelas y colóquelas de nuevo en el frigorífico.
- ▶ 4. En caso de que alguna parte o componente pequeño quede atascada dentro del frigorífico (entre las estanterías o los cajones), utilice un cepillo suave pequeño para sacarlo. Si no la alcanza, póngase en contacto con el servicio de Haier.



- ▶ Aclare y seque con un paño suave.
- ▶ No limpie ninguna de las piezas o partes de este electrodoméstico en un lavavajillas.
- ▶ Deje pasar al menos 5 minutos antes de reiniciar el electrodoméstico, ya que el arranque frecuente puede dañar el compresor.

Descongelación

La descongelación de los compartimentos frigorífico y congelador se realiza automáticamente: no se requiere ninguna operación manual.

Sustitución de las lámparas LED



¡ADVERTENCIA!

No sustituya usted mismo la lámpara LED, solo debe cambiarla el fabricante o un técnico autorizado.

Las lámparas utilizan LED como fuente de luz, con bajo consumo energético y larga vida útil. Si detecta alguna anomalía, póngase en contacto con el servicio de atención al cliente. Vea ATENCIÓN AL CLIENTE.

Parámetros de las lámparas:

Parte	Lámpara LED
Tensión	12 V
Potencia máxima	1,5 W
Especificaciones LED	Blanco-2835
Clase de eficiencia LED	G
Temperatura de uso	-40~80 °C

Si no se utiliza durante un período más largo

Si el aparato no se utiliza durante un periodo de tiempo prolongado, y no va a utilizar la función Holiday para el frigorífico:

Saque la comida.

Desenchufe el cable de la toma de corriente.

Limpie el electrodoméstico como se ha descrito anteriormente.

Mantenga las puertas abiertas para evitar que se generen malos olores en el interior.



AVISO

Apague el electrodoméstico solo si es estrictamente necesario.

Juntas de puerta auxiliares desmontables

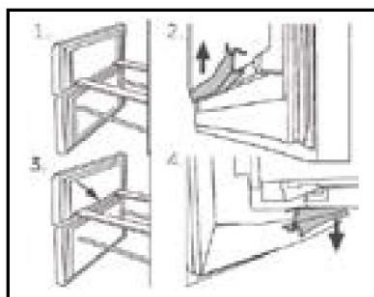
Hay seis juntas de puerta auxiliares en los cajones superior e inferior del congelador.

1. Localice las cinco juntas de puerta indicadas en los cajones superior e inferior del congelador.

2. Asegúrese de que las partes dobladas de las juntas apunten hacia adentro mientras las coloca.

3. Coloque la junta inferior del cajón superior como se indica.

4. Asegúrese de que la parte doblada de esta junta apunta hacia abajo mientras la fija. Obtendrá estas juntas, así como las juntas de la puerta giratoria/cajón a través del servicio de atención al cliente (consulte la tarjeta de garantía).



Desplazar el electrodoméstico

1. Retire toda la comida y desenchufe el electrodoméstico.
2. Fije los estantes y otras partes móviles en el frigorífico y el congelador con cinta adhesiva.
3. No incline el frigorífico más de 45° para evitar dañar el sistema de refrigeración.



¡ADVERTENCIA!

- ▶ No levante el electrodoméstico por las asas.
- ▶ No coloque el electrodoméstico horizontalmente sobre el suelo.



Usted mismo puede resolver muchos de los problemas que puedan presentarse sin tener conocimientos específicos. En caso de que se produzca algún problema, compruebe todas las posibilidades ilustradas y siga las instrucciones pertinentes antes de ponerse en contacto con un servicio posventa. Vea ATENCIÓN AL CLIENTE.



¡ADVERTENCIA!

- ▶ Antes de realizar tareas de mantenimiento, desactive el electrodoméstico y desconecte el enchufe de la toma de corriente.
- ▶ Los equipos eléctricos solo deben ser revisados y manejados por electricistas expertos cualificados, ya que las reparaciones incorrectas pueden causar daños considerables en consecuencia.
- ▶ Si el sistema de alimentación está dañado, debe ser sustituido por el fabricante, por su servicio técnico o por cualquier profesional cualificado similar para evitar riesgos.

Tabla para la resolución de problemas

Problema	Causa posible	Solución posible
El compresor no funciona.	El enchufe no está conectado a la toma de corriente.	Conecte el enchufe.
	El electrodoméstico está en el ciclo de descongelación.	Esto es normal para una descongelación automática.
El electrodoméstico funciona con frecuencia o funciona durante un período de tiempo demasiado largo.	La temperatura interior o exterior es demasiado alta.	En este caso, es normal que el electrodoméstico funcione más tiempo.
	El electrodoméstico ha estado apagado durante cierto de tiempo.	Normalmente, lleva de 8 a 12 horas que el electrodoméstico se enfríe completamente.
	Una puerta/cajón del electrodoméstico no está bien cerrada.	Cierre la puerta/cajón y asegúrese de que el electrodoméstico esté ubicado sobre una superficie plana y que no haya alimentos o recipientes que impidan que la puerta se cierre bien.
	La puerta/cajón se ha abierto con demasiada frecuencia o durante mucho tiempo.	No abra la puerta/cajón con demasiada frecuencia.
	El ajuste de temperatura del compartimento congelador es demasiado bajo.	Ajuste una temperatura más alta hasta obtener una temperatura satisfactoria para el frigorífico. Se necesitan 24 horas para que la temperatura del frigorífico se mantenga estable.
	La junta de la puerta/cajón está sucia, desgastada, agrietada o desaparejada.	Limpie la junta de la puerta/cajón o pídale al servicio de atención al cliente que la cambie.
	La circulación de aire requerida no está garantizada.	Garantice una ventilación adecuada.

Problema	Causa posible	Solución posible
El interior del frigorífico está sucio y/o huele mal.	El interior del frigorífico necesita limpieza.	Limpie el interior del frigorífico.
	Hay alimentos de olor fuerte guardados en el frigorífico.	Envuelva bien los alimentos.
La temperatura del interior del electrodoméstico no es lo suficientemente fría.	La temperatura establecida es demasiado alta.	Restablezca la temperatura.
	Se han almacenado alimentos demasiado calientes.	Enfríe siempre los alimentos antes de guardarlos.
	Se ha almacenado demasiada comida a la vez.	Guarde siempre pequeñas cantidades de alimentos.
	Los alimentos están demasiado cerca entre sí.	Deje un espacio entre varios alimentos para permitir que el aire fluya.
	Una puerta/cajón del electrodoméstico no está bien cerrada.	Cierre la puerta/cajón.
	La puerta/cajón se ha abierto con demasiada frecuencia o durante mucho tiempo.	No abra la puerta/cajón con demasiada frecuencia.
La temperatura del interior del electrodoméstico es demasiado fría.	La temperatura establecida es demasiado baja.	Restablezca la temperatura.
	La función Super Freeze está activada o ha estado funcionando demasiado tiempo.	Desactive la función Super Freeze.
Formación de humedad en el interior del compartimento frigorífico.	El ambiente es demasiado cálido y demasiado húmedo.	Aumente la temperatura.
	Una puerta/cajón del electrodoméstico no está bien cerrada.	Cierre la puerta/cajón.
	La puerta/cajón se ha abierto con demasiada frecuencia o durante mucho tiempo.	No abra la puerta/cajón con demasiada frecuencia.
	Hay recipientes de alimentos o líquidos abiertos.	Deje que los alimentos calientes se enfríen a temperatura ambiente y cubra los alimentos y líquidos.
Se acumula humedad fuera de la superficie o entre las puertas/puerta y cajón.	El ambiente es demasiado cálido y demasiado húmedo.	Esto es normal en un ambiente húmedo y cambiará cuando la humedad disminuya.
	La puerta/cajón no está bien cerrada.	Asegúrese de que la puerta/cajón está bien cerrada.



Problema	Causa posible	Solución posible
Hay mucho hielo y escarcha en el compartimento congelador.	Los alimentos no están correctamente embalados.	Embale bien los alimentos siempre.
	La puerta/cajón se ha abierto con demasiada frecuencia o durante mucho tiempo.	No abra la puerta/cajón con demasiada frecuencia.
	La junta de la puerta/cajón está sucia, desgastada, agrietada o desaparejada.	Limpie la junta de la puerta/cajón o cámbiela por una nueva.
	Algo en el interior impide que la puerta/cajón se cierren correctamente.	Vuelva a colocar los estantes, estantes de la puerta o contenedores internos para permitir que la puerta/cajón se cierre.
El electrodoméstico hace sonidos anormales.	El electrodoméstico no está ubicado sobre una superficie plana.	Ajuste las patas para nivelar el electrodoméstico.
	El electrodoméstico toca algún objeto a su alrededor.	Retire los objetos que haya alrededor del electrodoméstico.
Se oye un ligero sonido similar al del flujo de agua.	Esto es normal.	/
Oirá un pitido de alarma.	La puerta del compartimento frigorífico está abierta.	Cierre la puerta o silencie la alarma manualmente.
Oirá un débil zumbido.	El sistema anticondensación está en marcha.	Esto evita la condensación y es normal.
El sistema de iluminación o refrigeración interior no funciona.	El enchufe no está conectado a la toma de corriente.	Conecte el enchufe.
	La fuente de alimentación presenta alguna alteración.	Compruebe el suministro eléctrico a la habitación. Llame a la compañía eléctrica local.
	La lámpara LED no funciona.	Llame al servicio técnico para cambiar la lámpara.
Los lados del frigorífico y la tira de la puerta se calientan.	Esto es normal.	/
No sale agua por la salida del dispensador de agua	El bloqueo no está desactivado.	Desactive el bloqueo.



Interrupción del suministro

- ▶ En caso de un corte de luz, los alimentos deberían permanecer frescos y a salvo durante 13 horas. Siga estos consejos durante una interrupción prolongada del suministro, especialmente en verano.
- ▶ No introduzca más alimentos en el electrodoméstico durante un corte de luz.
- ▶ Si se da el aviso previo de un corte de luz y la duración de la interrupción es superior a 13 horas, fabrique algunos cubitos de hielo y póngalos en un recipiente en el estante superior del compartimento frigorífico.
- ▶ Inmediatamente después de la interrupción, es necesario llevar a cabo una inspección de los alimentos.
- ▶ Como la temperatura del frigorífico subirá durante una interrupción del suministro eléctrico u otro fallo, el período de conservación y la calidad comestible de los alimentos se reducirán. Cualquier alimento que se descongele debe consumirse, o bien cocinarse y volver a congelarse (cuando proceda) rápidamente para evitar riesgos para la salud.



AVISO

Función de memoria durante el corte de luz

En cuanto vuelva la luz, el electrodoméstico restablecerá los ajustes establecidos antes del corte de luz.

Para ponerse en contacto con el servicio de asistencia técnica, visite nuestro sitio web: <https://corporate.haier-eu-ropo.com/en/>

En la sección "website", elija la marca de su producto y su país. Se le redirigirá a la página web específica donde podrá encontrar el número de teléfono y otros modos de ponerse en contacto con el servicio de asistencia técnica.

Desempaquetado



¡ADVERTENCIA!

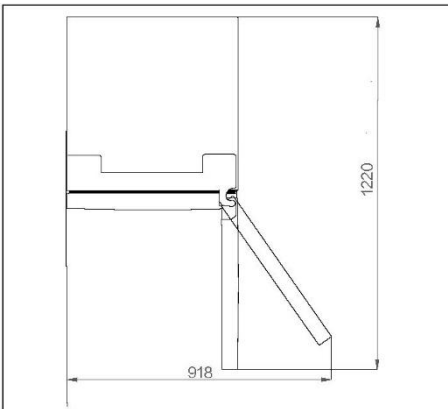
- ▶ Este es un electrodoméstico pesado. Manipúlelo con la ayuda de otra persona.
- ▶ Mantenga todo el material de embalaje fuera del alcance de los niños y deséchelo de forma respetuosa con el medio ambiente.
- ▶ Saque el electrodoméstico de su embalaje.
- ▶ Retire todos los materiales de embalaje.

Condiciones ambientales

La temperatura ambiente debería encontrarse siempre entre 10° C y 43° C, ya que puede influir en la temperatura del interior del frigorífico y en su consumo de energía. No instale el electrodoméstico cerca de otros electrodomésticos emisores de calor (hornos, neveras) sin aislamiento.

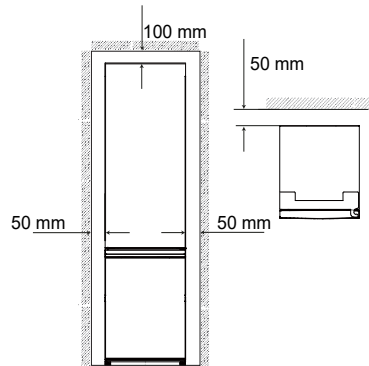
Recomendaciones de espacio

Espacio recomendado con la puerta abierta.



Sección cruzada de ventilación

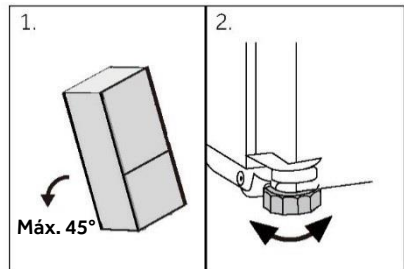
Para lograr una ventilación suficiente del aparato por razones de seguridad, recomendamos seguir las pautas de recomendaciones de espacio.

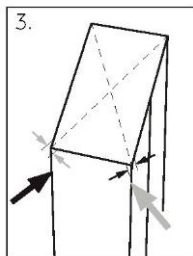


Nivelación del electrodoméstico

Este electrodoméstico debe colocarse sobre una superficie plana y sólida.

1. Incline el frigorífico ligeramente hacia atrás.
2. Ajuste las patas al nivel deseado. Asegúrese de que la distancia a la pared del lado de la bisagra sea de al menos 100 mm para que la puerta se abra correctamente.

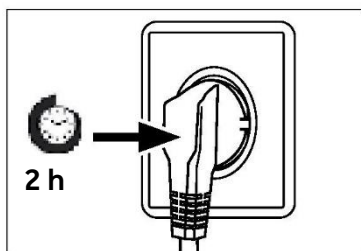




1. Puede comprobarse la estabilidad golpeando alternativamente las diagonales. El ligero bamboleo debe ser el mismo en ambas direcciones. De lo contrario, el marco puede deformarse y resultar en fugas en las juntas de la puerta. Una ligerísima inclinación hacia atrás facilita el cierre de las puertas.

AVISO

Para un electrodoméstico independiente: este electrodoméstico de refrigeración no está diseñado para ser utilizado como un electrodoméstico integrado.



Tiempo de espera

El aceite de lubricación sin mantenimiento se encuentra en la cápsula del compresor. Este aceite puede pasar por el sistema de tuberías cerradas durante el transporte si el electrodoméstico está inclinado. Antes de conectar el electrodoméstico a la fuente de alimentación, espere al menos 2 horas para que el aceite vuelva a entrar en la cápsula.

Conexión eléctrica

Antes de cada conexión, compruebe si:

- ▶ La fuente de alimentación, la toma de corriente y el fusible son adecuados para la placa de clasificación.
- ▶ La toma de corriente tiene conexión a tierra y no tiene múltiples contactos ni extensiones.
- ▶ El enchufe y la toma de corriente encajan perfectamente.

Conecte el enchufe a una toma de corriente doméstica correctamente instalada.

¡ADVERTENCIA!

Para evitar riesgos, solo el servicio de atención al cliente debe reemplazar un cable de alimentación dañado (ver tarjeta de garantía).



Reversibilidad de la puerta

Antes de conectar el electrodoméstico a la fuente de alimentación, debe comprobar si la apertura de la puerta debe cambiar de derecha (por defecto) a izquierda por la ubicación de instalación y la facilidad de uso.

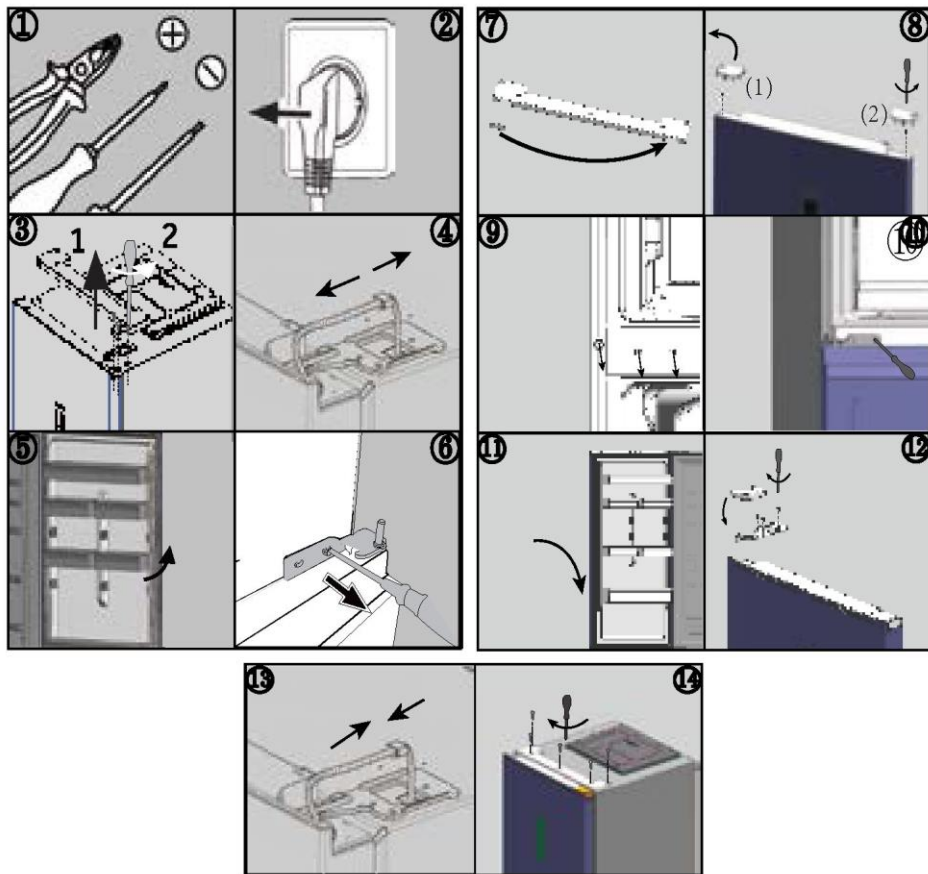


¡ADVERTENCIA!

- ▶ Este es un electrodoméstico pesado. Se necesitan dos personas para cambiar la reversibilidad de la puerta.
- ▶ Antes de realizar cualquier operación, desenchufe el electrodoméstico de la red eléctrica.
- ▶ No incline el electrodoméstico más de 45° para evitar daños en el sistema de refrigeración.

Pasos de montaje

1. Consiga las herramientas necesarias.
 2. Desenchufe el electrodoméstico.
 3. Retire la tapa superior de la bisagra 1 y desenrosque la bisagra superior (tres tornillos) a la derecha 2.
 4. Desenchufe el cable de conexión.
 5. Retire cuidadosamente la puerta del frigorífico suelta de la bisagra del medio.
 6. Retire la bisagra central.
 7. Retire la pequeña tapa del panel frontal de izquierda a derecha.
 8. Dé la vuelta a la puerta y desenrosque la tapa (1). Saque la nueva tapa (2) de la bolsa necesaria y atorníllela al lado opuesto.
 9. Cambie las posiciones de los tapones y el tornillo en el lateral.
 10. Atornille la bisagra del medio al lado izquierdo del aparato. Preste atención a invertir el pivote de la bisagra central, asegurándose de que el lado con la junta quede hacia arriba.
 11. Levante con cuidado la puerta superior sobre la bisagra del medio. Asegúrese de que el pivote encaja en el cuerpo de la bisagra de la puerta inferior.
 12. Saque la nueva bisagra superior y la cubierta de la bisagra de la bolsa de accesorios. Pase el cable de conexión a través de la bisagra superior y fije la bisagra superior con los tres tornillos en el lado izquierdo del aparato. Ponga cubierta de la bisagra sobre la bisagra.
 13. Conecte el cable de conexión.
 14. Vuelva a colocar el panel frontal y fíjelo con cinco tornillos.
- Después del cambio de la puerta, compruebe si las juntas de la puerta están bien colocadas en la carcasa y todos los tornillos están bien apretados.



Temperaturas ambiente

Templada extendida: este aparato de refrigeración está destinado a ser utilizado a una temperatura ambiente comprendida entre 10 °C y 32 °C.

Templada: este electrodoméstico de refrigeración está destinado a ser utilizado a una temperatura ambiente comprendida entre 16 °C y 32 °C.

Subtropical: este aparato de refrigeración está destinado a ser utilizado a una temperatura ambiente comprendida entre 16 °C y 38 °C.

Tropical: este aparato de refrigeración está destinado a ser utilizado a una temperatura ambiente comprendida entre 16 °C y 43 °C.



Parámetros del producto conforme al Reglamento (UE)2019/2016

Basado en los resultados de la prueba estándar de 24 horas. El consumo de energía real dependerá de la ubicación y del modo de uso del electrodoméstico.

Modelo	HTW5618DN*	HTW5620DN*	HTW5618EN*
Tipo de electrodoméstico frigorífico	Frigorífico-congelador	Frigorífico-congelador	Frigorífico-congelador
Clase de eficiencia energética	D	D	E
Consumo anual de energía (kWh/año)	217	226	271
Volumen del compartimento frigorífico (L)	201	255	201
Volumen del congelador (L)	125	125	125
Volumen del compartimento frigorífico (L)	34	34	34
Clase de congelación	4 estrellas	4 estrellas	4 estrellas
Tipo de descongelación	Descongelación automática	Descongelación automática	Descongelación automática
Tiempo de aumento de la temperatura (h)	13	13	11
Capacidad de congelación (kg/24 h)	10.0	10.0	10.0
Clase climática	SN.N.ST.T	SN.N.ST.T	SN.N.ST.T
Clase de emisión de ruido y emisiones de ruido acústico en el aire (dB(A) re 1 pW)	B(35)	B(35)	B(35)



Modelo	HTW5618CN*	HTW5620CN*	HTW5620EN*
Tipo de electrodoméstico frigorífico	Frigorífico-congelador	Frigorífico-congelador	Frigorífico-congelador
Clase de eficiencia energética	C	C	E
Consumo anual de energía (kWh/año)	173	181	283
Volumen del compartimento frigorífico (L)	201	255	255
Volumen del congelador (L)	125	125	125
Volumen del compartimento frigorífico (L)	34	34	34
Clase de congelación	4 estrellas	4 estrellas	4 estrellas
Tipo de descongelación	Descongelación automática	Descongelación automática	Descongelación automática
Tiempo de aumento de la temperatura (h)	13	13	11
Capacidad de congelación (kg/24 h)	10.0	10.0	10.0
Clase climática	SN.N.ST.T	SN.N.ST.T	SN.N.ST.T
Clase de emisión de ruido y emisiones de ruido acústico en el aire (dB(A) re 1 pW)	B(35)	B(35)	B(35)



Modelo	HDPW5618DN*	HDPW5620DN*	HDPW3620DN*
Tipo de electrodoméstico frigorífico	Frigorífico-congelador	Frigorífico-congelador	Frigorífico-congelador
Clase de eficiencia energética	D	D	D
Consumo anual de energía (kWh/año)	214	220	220
Volumen del compartimento frigorífico (L)	201	255	255
Volumen del congelador (L)	117	117	117
Volumen del compartimento frigorífico (L)	34	34	34
Clase de congelación	4 estrellas	4 estrellas	4 estrellas
Tipo de descongelación	Descongelación automática	Descongelación automática	Descongelación automática
Tiempo de aumento de la temperatura (h)	13	13	11
Capacidad de congelación (kg/24 h)	10.0	10.0	10.0
Clase climática	SN.N.ST.T	SN.N.ST.T	SN.N.ST.T
Clase de emisión de ruido y emisiones de ruido acústico en el aire (dB(A) re 1 pW)	B(35)	B(35)	B(35)



Modelo	HDPW3618DN*	HDPW3620CN*	HTW3620DN*
Tipo de electrodoméstico frigorífico	Frigorífico-congelador	Frigorífico-congelador	Frigorífico-congelador
Clase de eficiencia energética	D	C	D
Consumo anual de energía (kWh/año)	214	176	226
Volumen del compartimento frigorífico (L)	201	255	255
Volumen del congelador (L)	117	117	125
Volumen del compartimento frigorífico (L)	34	34	34
Clase de congelación	4 estrellas	4 estrellas	4 estrellas
Tipo de descongelación	Descongelación automática	Descongelación automática	Descongelación automática
Tiempo de aumento de la temperatura (h)	13	13	11
Capacidad de congelación (kg/24 h)	10.0	10.0	10.0
Clase climática	SN.N.ST.T	SN.N.ST.T	SN.N.ST.T
Clase de emisión de ruido y emisiones de ruido acústico en el aire (dB(A) re 1 pW)	B(35)	B(35)	B(35)



Modelo	HDPW5618CN*	HDPW5620CN*	HDPW5620AN*
Tipo de electrodoméstico frigorífico	Frigorífico-congelador	Frigorífico-congelador	Frigorífico-congelador
Clase de eficiencia energética	C	C	A
Consumo anual de energía (kWh/año)	171	176	114
Volumen del compartimento frigorífico (L)	201	255	255
Volumen del congelador (L)	117	117	120
Volumen del compartimento frigorífico (L)	34	34	34
Clase de congelación	4 estrellas	4 estrellas	4 estrellas
Tipo de descongelación	Descongelación automática	Descongelación automática	Descongelación automática
Tiempo de aumento de la temperatura (h)	13	13	16
Capacidad de congelación (kg/24 h)	10.0	10.0	10.0
Clase climática	SN.N.ST.T	SN.N.ST.T	SN.N.ST.T
Clase de emisión de ruido y emisiones de ruido acústico en el aire (dB(A) re 1 pW)	B(35)	B(35)	B(35)



Datos técnicos adicionales

Modelo	HTW5618DN*	HTW5618EN*	HTW5620DN*
Volumen total (L)	360	360	414
Voltaje/Frecuencia	220-240V/50Hz	220-240V/50Hz	220-240V/50Hz
Corriente de entrada (A)	1.4	1.4	1.4
Fusible principal (A)	16	16	16
Refrigerante	R600a(53g)	R600a(53g)	R600a(53g)
Dimensiones (A/P/A en mm)	595*667*1850	595*667*1850	595*667*2050

Modelo	HTW5618CN*	HTW5620CN*	HTW5620EN*
Volumen total (L)	360	414	414
Voltaje/Frecuencia	220~240V/50Hz	220~240V/50Hz	220~240V/50Hz
Corriente de entrada (A)	1.4	1.4	1.4
Fusible principal (A)	15	15	16
Refrigerante	R600a(50g)	R600a(50g)	R600a(53g)
Dimensiones (A/P/A en mm)	595*667*1850	595*667*2050	595*667*2050



Modelo	HDPW5618DN*	HDPW5620DN*	HDPW3620DN*
Volumen total (L)	352	406	406
Voltaje/Frecuencia	220~240V/50Hz	220~240V/50Hz	220~240V/50Hz
Corriente de entrada (A)	1.4	1.4	1.4
Fusible principal (A)	16	16	16
Refrigerante	R600a(53g)	R600a(53g)	R600a(53g)
Dimensiones (A/P/A en mm)	595*667*1850	595*667*2050	595*667*2050

Modelo	HDPW5618CN*	HDPW5620CN*	HDPW5620AN*
Volumen total (L)	352	406	409
Voltaje/Frecuencia	220-240V/50Hz	220-240V/50Hz	220-240V/50Hz
Corriente de entrada (A)	1.4	1.4	1.4
Fusible principal (A)	15	15	15
Refrigerante	R600a (50g)	R600a (50g)	R600a (50g)
Dimensiones (A/P/A en mm)	595*667*1850	595*667*2050	595*667*2050



Modelo	HDPW5618CN*	HDPW5620CN*	HDPW5620AN*
Volumen total (L)	352	406	409
Voltaje/Frecuencia	220~240V/50Hz	220~240V/50Hz	220~240V/50Hz
Corriente de entrada (A)	1.4	1.4	1.4
Fusible principal (A)	15	15	16
Refrigerante	R600a(50g)	R600a(50g)	R600a(50g)
Dimensiones (A/P/A en mm)	595*667*1850	595*667*2050	595*667*2050



Recomendamos nuestro Servicio de atención al cliente Haier y el uso de repuestos originales.

Si tiene algún problema con su electrodoméstico, compruebe primero la sección SOLUCIÓN DE PROBLEMAS.

Si no encuentra una solución allí, póngase en contacto con

- ▶ su distribuidor local o
- ▶ nuestro Centro europeo de atención al cliente (ver números de teléfono listados abajo) o
- ▶ el área de servicio y asistencia en www.haier.com, donde puede activar la
- ▶ solicitud de servicio y encontrar las Preguntas frecuentes.

Para ponerse en contacto con nuestro Servicio, asegúrese de tener los siguientes datos disponibles.

Puede encontrar la información en la placa de datos.

Modelo _____

N.º de serie _____

Compruebe también la tarjeta de garantía suministrada con el producto en caso de garantía.

Centro europeo de atención al cliente		
País*	Número de teléfono	Costes
Haier Italy (IT)	199 100 912	
Haier Spain (ES)	902 509 123	
Haier Germany (DE)	0180 5 39 39 99	<ul style="list-style-type: none"> • 14 ct/min teléfono fijo • máx. 42 ct/min móvil
Haier Austria (AT)	0820 001 205	<ul style="list-style-type: none"> • 14,53 ct/min teléfono fijo • máx. 20 ct/min el resto
Haier United Kingdom (UK)	0333 003 8122	
Haier France (FR)	0980 406 409	



* Para otros países, consulte www.haier.com
Haier Europe Trading S.r.l
Sucursal Reino Unido
Westgate House, Westgate, Ealing
Londres, W5 1YY

*Duración de la garantía del electrodoméstico de refrigeración:

La garantía mínima es de: 2 años para los países de la UE, 3 años para Turquía, 1 año para el Reino Unido, 1 año para Rusia, 3 años para Suecia, 2 años para Serbia, 5 años para Noruega, 1 año para Marruecos, 6 meses para Argelia, Túnez sin garantía legal, al no requerirse.

*El período de piezas de repuesto para la reparación del aparato:

Los termostatos, los sensores de temperatura, las placas de circuito impresas y las fuentes de luz están disponibles durante un período mínimo de 7 años después de la comercialización de la última unidad del modelo.

Las asas, bisagras, bandejas y cestas lo están durante un período mínimo de 7 años, y las juntas durante un período mínimo de 10 años después de la comercialización de la última unidad del modelo.

*Para más información sobre el producto, consulte <https://eprel.ec.europa.eu/> o escanee el código QR en la etiqueta energética suministrada con el electrodoméstico.




Haier

2023 versión A



0060534356

<u>235 Informations sur la sécurité</u>	•	<u>Avant la première utilisation</u> 236
		<u>Installation</u> 236
		<u>Utilisation quotidienne</u> 237
<u>240 Utilisation prévue</u>	•	
<u>241 Description du produit</u>	•	
<u>245 Panneau de commande</u>	•	
<u>246 Utilisation</u>	•	<u>Réglage de la température du réfrigérateur</u> 247
		<u>Régler la température du congélateur</u> 247
		<u>Réglage de la température My Zone</u> 247
		<u>Fonction Super Cool</u> 248
		<u>Fonction Super Freeze</u> 249
<u>254 Matériel</u>	•	
<u>258 Conseils d'économie d'énergie</u>	•	
<u>259 Entretien et nettoyage</u>	•	
<u>262 Dépannage</u>	•	
<u>266 Installation</u>	•	
<u>270 Données techniques</u>	•	
<u>276 Service clientèle</u>	•	



Veillez cliquer sur le contenu pour obtenir des informations détaillées.



Merci d'avoir acheté un produit Haier.

Veuillez lire attentivement ces instructions avant d'utiliser cet appareil. Les instructions contiennent des informations importantes qui vous aideront à tirer le meilleur parti de l'appareil et à assurer l'installation, l'utilisation et l'entretien sûrs et appropriés de celui-ci.

Conservez ce manuel dans un endroit facilement accessible afin que vous puissiez toujours vous y référer pour une utilisation sûre et appropriée de l'appareil.

Si vous vendez l'appareil, si vous le donnez ou si vous le laissez lorsque vous déménagez, assurez-vous que vous transmettez également ce manuel pour que le nouveau propriétaire puisse se familiariser avec l'appareil et les consignes de sécurité.

Accessoires

Vérifiez les accessoires et la littérature conformément à cette liste :

			
Casier à œufs	Étiquette énergétique	Carte de garantie	Manuel d'utilisation
			
Bac à glaçons	Charnières de porte	Couvre charnière	Cache



AVERTISSEMENT : informations importantes sur la sécurité



REMARQUE : informations générales et conseils



Informations environnementales



Mise au rebut

Contribuez à protéger l'environnement et la santé humaine. Jetez l'emballage dans les bacs correspondants pour le recycler. Participez au recyclage des déchets d'appareils électriques et électroniques. Ne jetez pas les appareils marqués de ce symbole avec les déchets ménagers. Ramenez le produit à votre déchetterie locale ou contactez votre bureau municipal.



AVERTISSEMENT !

Risque de blessure ou de suffocation !

Les frigorigènes et les gaz doivent être éliminés par un professionnel. Assurez-vous que le tube du circuit réfrigérant n'est pas endommagé avant d'être correctement éliminé. Débranchez l'appareil du secteur. Coupez le câble d'alimentation et jetez-le. Retirez les clayettes et les tiroirs ainsi que le verrou et les joints de la porte, afin d'éviter que les enfants et les animaux domestiques ne se retrouvent enfermés dans l'appareil.



Avant d'allumer l'appareil pour la première fois, lisez les conseils de sécurité suivants :



AVERTISSEMENT !

Avant la première utilisation

- ▶ Assurez-vous qu'il n'a pas été endommagé pendant le transport.
- ▶ Retirez tous les emballages et gardez-les hors de portée des enfants.
- ▶ Attendez au moins deux heures avant d'installer l'appareil afin de vous assurer que le circuit réfrigérant fonctionne parfaitement.
- ▶ Manipulez toujours l'appareil avec au moins deux personnes parce qu'il est lourd.

Installation

- ▶ L'appareil doit être placé dans un endroit bien ventilé. Garantisiez un espace d'au moins 10 cm au-dessus et autour de l'appareil.
- ▶ Ne placez jamais l'appareil dans un endroit humide ou un endroit où il pourrait être éclaboussé d'eau. Nettoyez et séchez les éclaboussures d'eau et les taches avec un chiffon doux et propre.
- ▶ N'installez pas l'appareil en plein soleil ou à proximité de sources de chaleur (par ex. cuisinières, chauffages).
- ▶ Installez et mettez à niveau l'appareil dans une zone adaptée à sa taille et à son utilisation.
- ▶ Maintenez les ouvertures de ventilation situées dans l'appareil ou dans la structure encastrée libres de toute obstruction.
- ▶ Assurez-vous que les informations électriques figurant sur la plaque signalétique sont conformes à l'alimentation électrique. Si ce n'est pas le cas, contactez un électricien.
- ▶ L'appareil est alimenté par une alimentation de 220-240 VCA/50 Hz. Les variations anormales de tension peuvent provoquer l'arrêt de l'appareil ou endommager le régulateur de température ou le compresseur, ou il peut y avoir un bruit anormal lors du fonctionnement. Dans ce cas, un régulateur automatique doit être monté.
- ▶ N'utilisez pas d'adaptateurs multiprises ni de rallonges.
- ▶ Ne placez pas de systèmes multiprises portatifs ou d'alimentations portatives à l'arrière de l'appareil.
- ▶ Assurez-vous que le câble d'alimentation n'est pas coincé par le réfrigérateur. Ne marchez pas sur le câble d'alimentation.



AVERTISSEMENT !

- ▶ Utilisez une prise de terre séparée pour l'alimentation électrique qui est facile d'accès. L'appareil doit être mis à la terre.
Uniquement pour le Royaume-Uni : Le câble d'alimentation de l'appareil est équipé d'une fiche 3 pôles (de mise à la terre) qui s'adapte à une prise standard 3 pôles (de mise à la terre). Ne coupez jamais ou ne démontez jamais la troisième broche (mise à la terre). Une fois l'appareil installé, la fiche doit être accessible.
- ▶ N'endommagez pas le circuit réfrigérant.

Utilisation quotidienne

- ▶ Cet appareil peut être utilisé par des enfants à partir de 8 ans et par des personnes ayant des capacités physiques, sensorielles ou mentales réduites ou un manque d'expérience et de connaissances, s'ils sont sous surveillance ou si on leur a appris à utiliser l'appareil en toute sécurité et s'ils comprennent les risques courus.
- ▶ Les enfants âgés de 3 à 8 ans sont autorisés à remplir et vider les appareils de réfrigération, mais ne sont pas autorisés à les nettoyer ni à les installer.
- ▶ Gardez les enfants âgés de moins de 3 ans à l'écart de l'appareil à moins qu'ils ne soient constamment surveillés.
- ▶ Les enfants ne doivent pas jouer avec l'appareil.
- ▶ Si du gaz réfrigérant ou tout autre gaz inflammable fuit à proximité de l'appareil, fermez la vanne du gaz qui fuit, ouvrez les portes et les fenêtres et ne débranchez pas le câble d'alimentation du réfrigérateur ou de tout autre appareil.
- ▶ Notez que l'appareil est conçu pour fonctionner dans une plage de température ambiante spécifique comprise entre 10 °C et 43 °C. L'appareil peut ne pas fonctionner correctement s'il est laissé pendant une longue période à une température inférieure ou supérieure à la plage indiquée.
- ▶ Ne placez pas d'objets instables (objets lourds, récipients remplis d'eau) sur le dessus du réfrigérateur, pour éviter les blessures corporelles causées par une chute ou une électrocution causée par le contact avec de l'eau.
- ▶ Ne tirez pas sur les balconnets. La porte peut être tirée en biais, le porte-bouteilles peut être retiré ou l'appareil risque de basculer.
- ▶ Ouvrez et fermez les portes uniquement avec les poignées. L'écart entre les portes et entre les portes et le compartiment est très étroit. Ne mettez pas vos mains dans ces zones pour éviter de vous pincer les doigts. Ouvrez ou fermez les portes du réfrigérateur uniquement lorsqu'il n'y a pas d'enfants dans le rayon de mouvement de la porte.



AVERTISSEMENT !

- ▶ Ne conservez pas et n'utilisez pas de matières corrosives, explosives ou inflammables dans l'appareil ou à proximité.
- ▶ Ne conservez pas de médicaments, de bactéries ou d'agents chimiques dans l'appareil. Cet appareil est un appareil électroménager. Il n'est pas recommandé pour stocker des produits qui nécessitent des températures strictes.
- ▶ Ne conservez jamais des liquides dans des bouteilles ou des canettes (en dehors des spiritueux avec un degré d'alcool très élevé), en particulier les boissons gazeuses, dans le congélateur car ceux-ci pourraient exploser durant la congélation.
- ▶ Vérifiez l'état des aliments si l'intérieur du congélateur s'est réchauffé.
- ▶ Ne réglez pas une température inutilement basse dans le compartiment du réfrigérateur. Des températures inférieures peuvent se produire à des réglages élevés. Attention : les bouteilles peuvent éclater
- ▶ Ne touchez pas les produits surgelés avec les mains mouillées (portez des gants). Ne mangez surtout pas les sucettes glacées juste après les avoir sorties du compartiment congélateur. Vous risquez de vous blesser ou de vous brûler à cause du froid. Premiers secours : mettez immédiatement sous l'eau froide. Ne retirez pas !
- ▶ Ne touchez pas la surface intérieure du compartiment congélateur lorsqu'il est en fonctionnement, en particulier avec les mains mouillées, car vos mains peuvent geler sur la surface.
- ▶ Débranchez l'appareil en cas de coupure de courant ou avant de le nettoyer. Attendez au moins 7 minutes avant de redémarrer l'appareil, car des démarrages trop fréquents risqueraient d'endommager le compresseur.
- ▶ N'utilisez pas des appareils électriques à l'intérieur des compartiments de conservation des aliments de l'appareil, sauf s'ils correspondent aux modèles recommandés par le fabricant. Entretien/nettoyage
- ▶ Veillez à superviser les enfants s'ils effectuent le nettoyage et l'entretien.
- ▶ Débranchez l'appareil du secteur avant d'effectuer tout entretien courant. Attendez au moins 5 minutes avant de redémarrer l'appareil, car des démarrages trop fréquents risqueraient d'endommager le compresseur.



AVERTISSEMENT !

- ▶ Tenez la fiche, pas le câble, lorsque vous débranchez l'appareil.
- ▶ Ne nettoyez pas l'appareil à l'aide de brosses dures, de brosses métalliques, de détergents en poudre, d'essence, d'acétate d'amyle, d'acétone et de solutions organiques similaires, d'acides ou de solutions alcalines. Nettoyez-le avec un détergent spécial pour réfrigérateur afin d'éviter de l'endommager.
- ▶ Ne raclez pas le givre et la glace avec des objets tranchants. N'utilisez pas de pulvérisateurs ni de réchauffeurs électriques comme des nettoyeurs à vapeur, des sèche-cheveux ou d'autres sources de chaleur pour éviter d'endommager les pièces en plastique.
- ▶ N'utilisez pas de dispositifs mécaniques ou d'autres moyens pour accélérer le processus de dégivrage, hormis ceux recommandés par le fabricant.
- ▶ Si le cordon d'alimentation est endommagé, faites-le remplacer par le fabricant, le service clientèle ou un électricien qualifié pour éviter tout risque d'accident.
- ▶ N'essayez pas de réparer, démonter ou modifier l'appareil vous-même. En cas de réparation, veuillez contacter notre service clientèle.
- ▶ Éliminez la poussière à l'arrière de l'appareil au moins une fois par an pour éviter tout risque d'incendie, ainsi que l'augmentation de la consommation d'énergie.
- ▶ Ne pulvérisez pas et ne rincez pas l'appareil pendant le nettoyage.
- ▶ N'utilisez pas de jet d'eau ou de vapeur pour nettoyer l'appareil.
- ▶ Ne nettoyez pas les clayettes froides en verre à l'eau chaude. Un changement soudain de température peut casser le verre.

Informations sur les gaz réfrigérants



AVERTISSEMENT !

L'appareil contient de l'ISOBUTANE, un réfrigérant inflammable (R600a). Assurez-vous que le circuit du réfrigérant n'est pas endommagé pendant le transport ou l'installation. Les fuites de frigorigène peuvent provoquer des blessures oculaires ou s'enflammer. Si un dommage s'est produit, gardez les sources de feu ouvert à l'écart, aérez complètement la pièce, ne branchez pas ou ne débranchez pas les cordons d'alimentation de l'appareil ou de tout autre appareil. Informez le service clientèle.

En cas de contact du réfrigérant avec les yeux, rincez-les immédiatement à l'eau courante et appelez immédiatement un oculiste.



Utilisation prévue

Cet appareil est destiné à réfrigérer et à congeler les aliments. Il a été conçu exclusivement pour une utilisation dans les habitations et des applications similaires telles que les espaces de cuisine dans les magasins, bureaux et autres environnements de travail ; les habitations rurales et par les clients dans les hôtels, motels et autres environnements de type résidentiel, ainsi que dans les chambres d'hôtes ou B&B et activités de restauration. Il n'est pas destiné à un usage commercial ou industriel. Les changements ou modifications apportés à l'appareil ne sont pas autorisés. Une utilisation non prévue peut entraîner des risques et la perte de garantie.

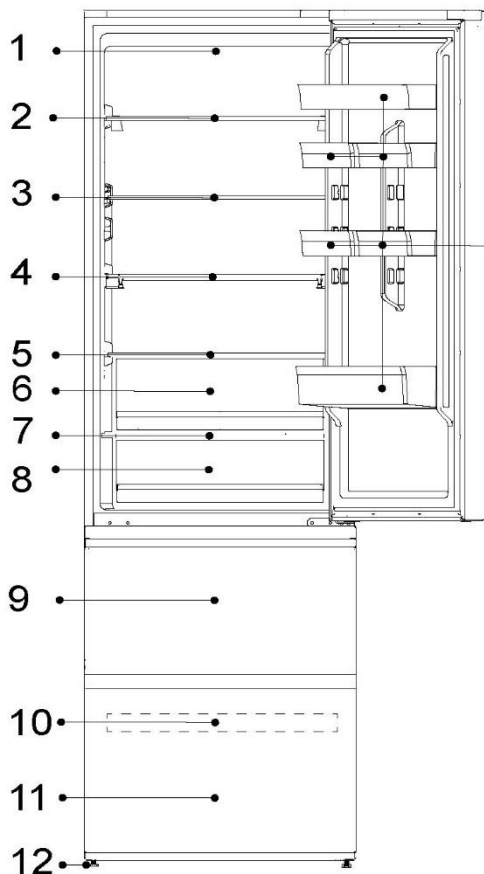
Normes et directives **CE**

Ce produit satisfait aux exigences de toutes les directives CE applicables avec les normes harmonisées correspondantes, qui prévoient le marquage CE.

i REMARQUE

En raison des changements techniques et de différents modèles, certaines des illustrations de ce manuel peuvent différer de votre modèle.

(HTW5620EN*, HTW5620DN*, HTW5620CN*)


13

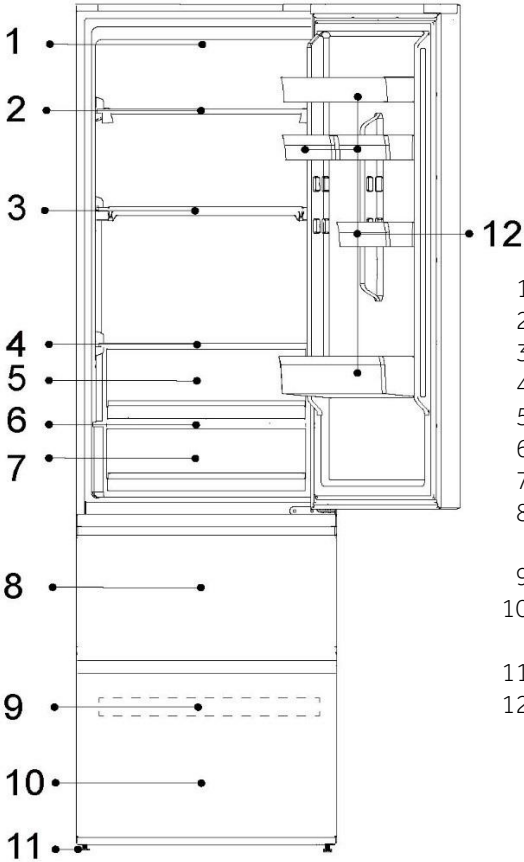
- 1-Lampe à LED du réfrigérateur
- 2-Porte-bouteilles
- 3-Clayette en verre
- 4-Étagère pliable
- 5-Cache-tiroir Humidity Zone
- 6-Tiroir Humidity Zone
- 7-Cache-tiroir My Zone
- 8-Tiroir My Zone
- 9-Tiroir de rangement supérieur du congélateur
- 10-Plateau du congélateur
- 11-Tiroir de rangement inférieur du congélateur
- 12-Pieds réglables
- 13-Balconnet de porte



i REMARQUE

En raison des changements techniques et de différents modèles, certaines des illustrations de ce manuel peuvent différer de votre modèle.

(HTW5618DN*, HTW5618CN*, HTW5618EN*)

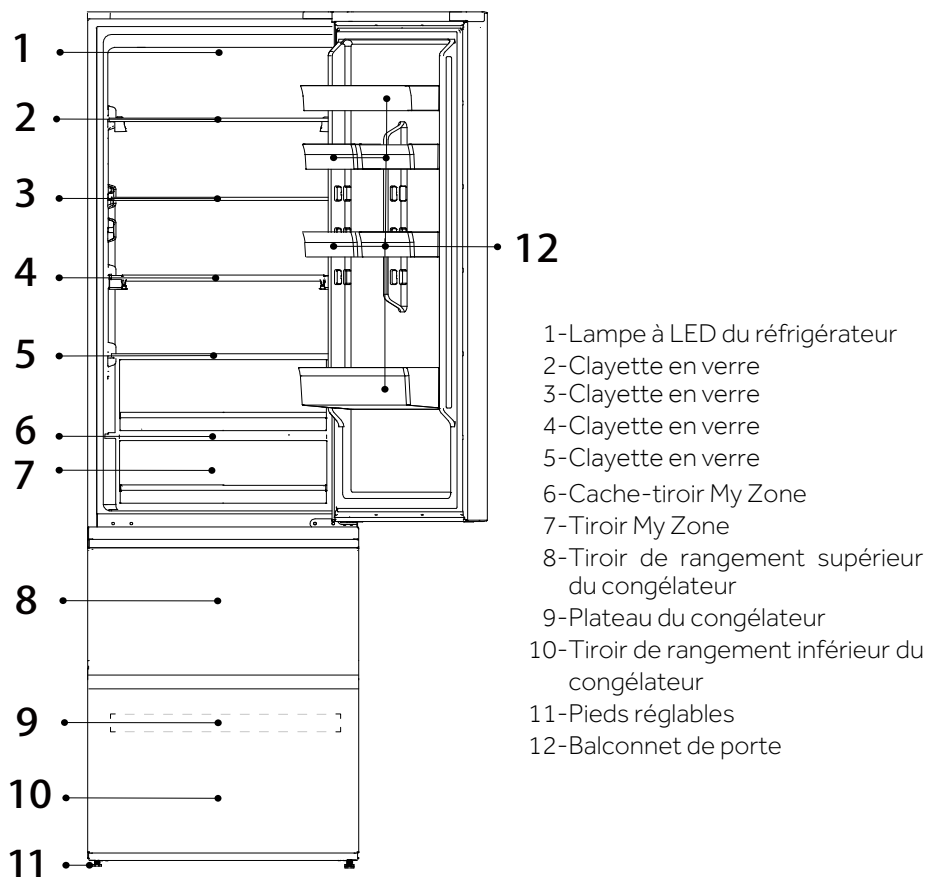


- 1-Lampe à LED du réfrigérateur
- 2-Porte-bouteilles
- 3-Étagère pliable
- 4-Cache-tiroir Humidity Zone
- 5-Tiroir Humidity Zone
- 6-Cache-tiroir My Zone
- 7-Tiroir My Zone
- 8-Tiroir de rangement supérieur du congélateur
- 9-Plateau du congélateur
- 10-Tiroir de rangement inférieur du congélateur
- 11-Pieds réglables
- 12-Balconnet de porte

i REMARQUE

En raison des changements techniques et de différents modèles, certaines des illustrations de ce manuel peuvent différer de votre modèle.

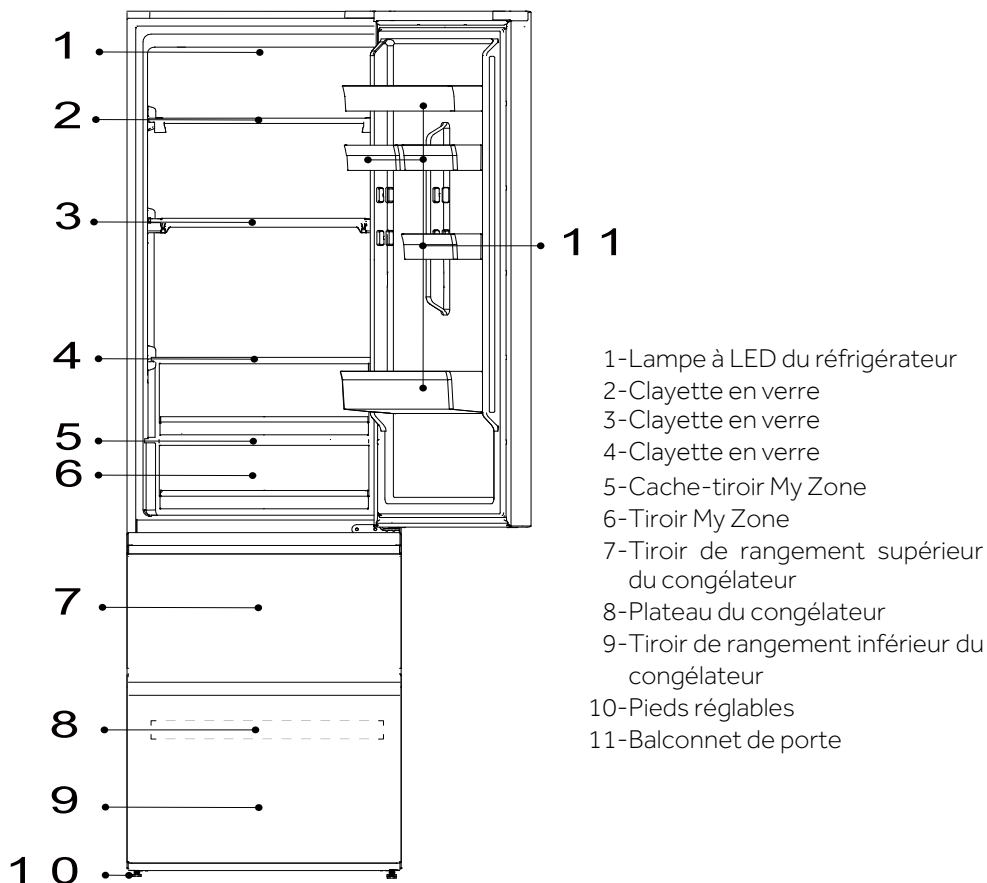
(HTW3620EN*, HTW3620DN*, HTW3620CN*)



i REMARQUE

En raison des changements techniques et de différents modèles, certaines des illustrations de ce manuel peuvent différer de votre modèle.

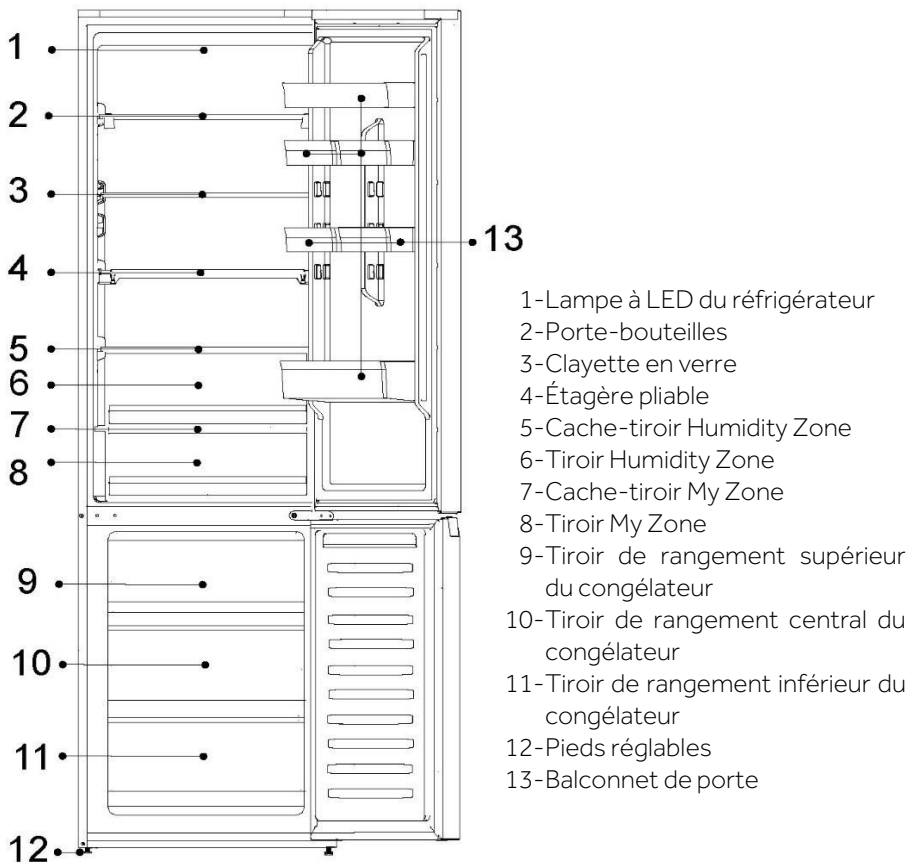
(HTW3618EN*, HTW3618DN*, HTW3618CN*)



i REMARQUE

En raison des changements techniques et de différents modèles, certaines des illustrations de ce manuel peuvent différer de votre modèle.

(HDPW5620DN*, HDPW5620CN*, HDPW5620BN*, HDPW5620AN*)

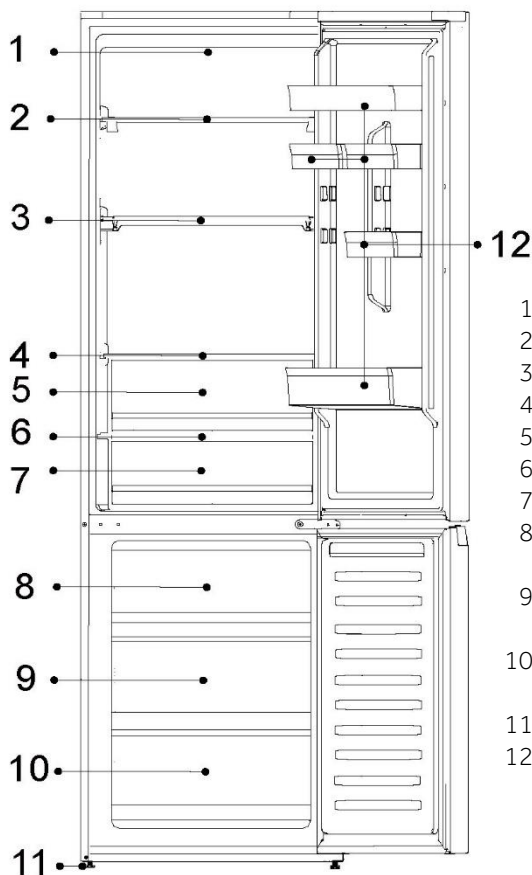




i REMARQUE

En raison des changements techniques et de différents modèles, certaines des illustrations de ce manuel peuvent différer de votre modèle.

(HDPW5618DN*, HDPW5618CN*)

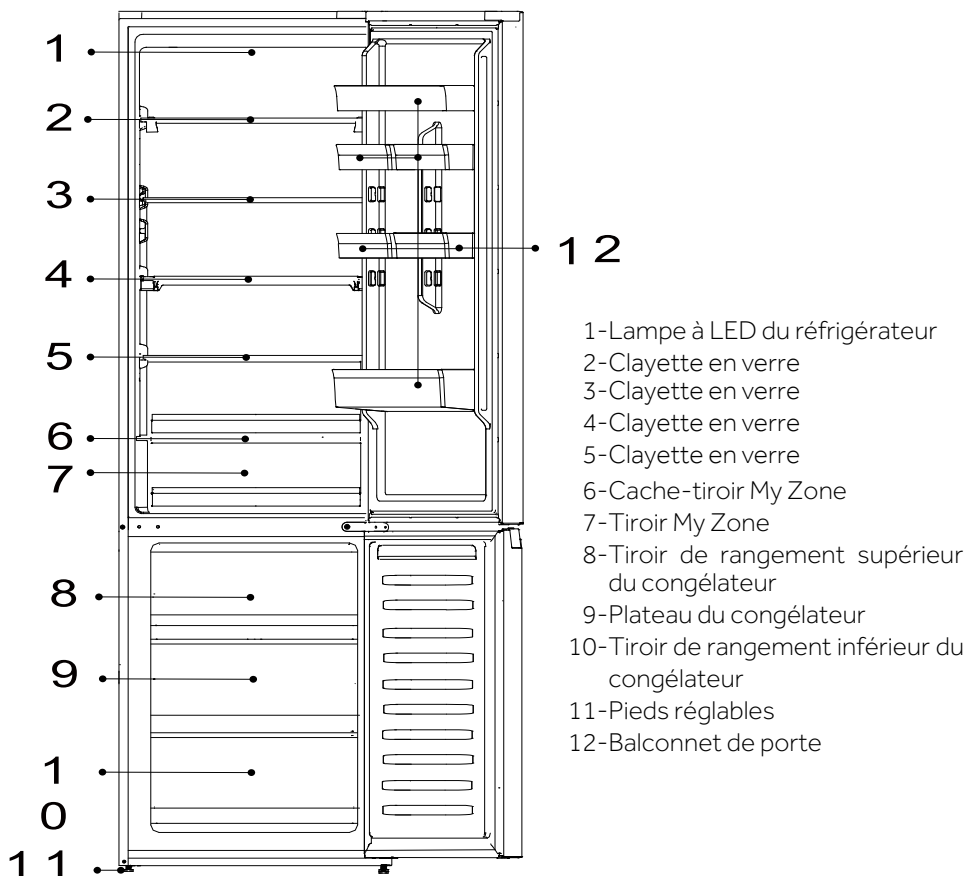


- 1-Lampe à LED du réfrigérateur
- 2-Porte-bouteilles
- 3-Étagère pliable
- 4-Cache-tiroir Humidity Zone
- 5-Tiroir Humidity Zone
- 6-Cache-tiroir My Zone
- 7-Tiroir My Zone
- 8-Tiroir de rangement supérieur du congélateur
- 9-Tiroir de rangement central du congélateur
- 10-Tiroir de rangement inférieur du congélateur
- 11-Pieds réglables
- 12-Balconnet de porte

REMARQUE

En raison des changements techniques et de différents modèles, certaines des illustrations de ce manuel peuvent différer de votre modèle.

(HDPW3620DN*, HDPW3620CN*)

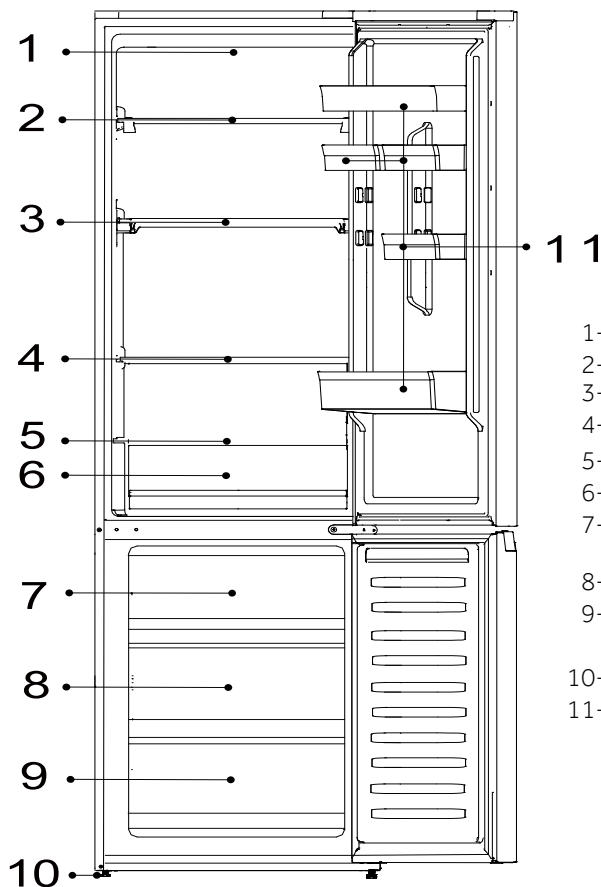




REMARQUE

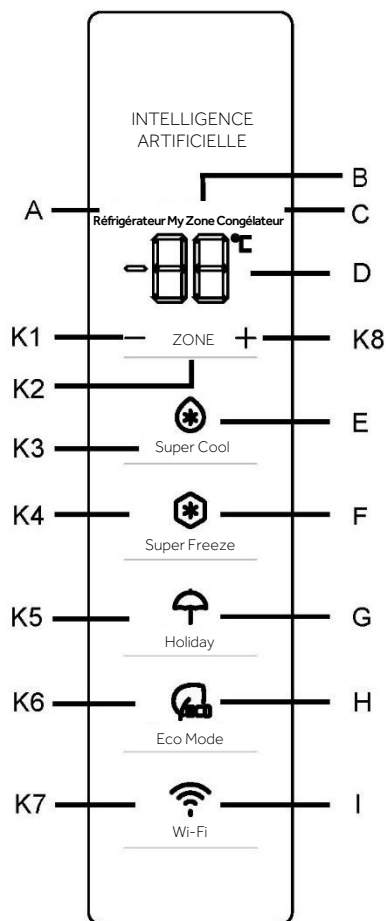
En raison des changements techniques et de différents modèles, certaines des illustrations de ce manuel peuvent différer de votre modèle.

(HDPW3618DN*, HDPW3618CN*)



- 1-Lampe à LED du réfrigérateur
- 2-Clayette en verre
- 3-Clayette en verre
- 4-Clayette en verre
- 5-Cache-tiroir My Zone
- 6-Tiroir My Zone
- 7-Tiroir de rangement supérieur du congélateur
- 8-Plateau du congélateur
- 9-Tiroir de rangement inférieur du congélateur
- 10-Pieds réglables
- 11-Balconnet de porte

Panneau de commande



Indicateurs :

- A Compartiment réfrigérateur
- B Compartiment fraîcheur (My Zone)
- C Compartiment congélateur
- D Affichage de la température
- E Fonction Super Cool
- F Fonction Super Freeze
- G Fonction Holiday
- H Fonction Eco Mode
- I Fonction Wi-Fi

Touches :

- K1 Diminuer la température
- K2 Sélection réfrigérateur, My Zone et congélateur
- K3 Marche/arrêt de la fonction Super Cool
- K4 Marche/arrêt de la fonction Super Freeze
- K5 Marche/arrêt de la fonction Holiday
- K6 Marche/arrêt de la fonction Eco Mode
- K7 Marche/arrêt de la fonction Wi-Fi
- K8 Augmenter la température

Avant la première utilisation

Retirez tous les emballages, gardez-les hors de la portée des enfants, puis jetez-les d'une manière respectueuse de l'environnement.

Nettoyez l'intérieur et l'extérieur de l'appareil ainsi que les accessoires avec de l'eau et un détergent doux, puis séchez-le bien avec un chiffon doux.

Une fois l'appareil de niveau et nettoyé, attendez au moins 2 heures avant de le brancher à l'alimentation électrique. Voir la section INSTALLATION.



Pré-réfrigérez les compartiments à des réglages élevés avant de les remplir d'aliments. La fonction Super Freeze permet de refroidir rapidement le compartiment congélateur.

Touches tactiles

Les touches du panneau de commande sont des touches tactiles qui réagissent dès que le doigt les touche légèrement.

Allumer / éteindre l'appareil

L'appareil fonctionne dès qu'il est branché sur l'alimentation électrique.

Lorsque l'appareil est sous tension pour la première fois, les indicateurs de température « D » indiquent les valeurs de pré-réglage (reportez-vous à la remarque ci-dessous).

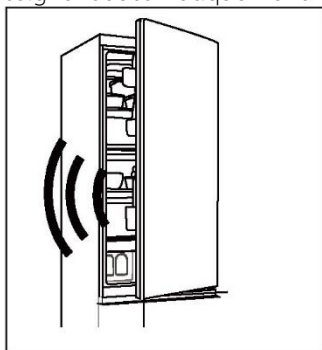
i REMARQUE

L'appareil est pré-réglé à la température recommandée de 5 °C (réfrigérateur) et de -18 °C (congélateur). La température My Zone est pré-réglée à environ 2 °C. Ce sont les paramètres recommandés. Si vous le souhaitez, vous pouvez modifier ces températures manuellement.

Alarme d'ouverture de porte

Lorsque la porte du réfrigérateur reste ouverte pendant plus de 3 minutes, l'alarme d'ouverture de porte retentit.

L'alarme peut être interrompue en fermant la porte. Si la porte reste ouverte pendant plus de 7 minutes, la lumière à l'intérieur du réfrigérateur et l'éclairage du panneau de commande s'éteignent automatiquement.



Régler la température

Les températures intérieures sont influencées par les facteurs suivants :

- ▶ Température ambiante
- ▶ Fréquence d'ouverture de la porte



- ▶ Quantité d'aliments stockés
- ▶ Installation de l'appareil

Réglage de la température du réfrigérateur

1. Appuyez sur la touche « K2 » (sélection de Réfrigérateur/(My Zone)/Congélateur) pour sélectionner le compartiment du réfrigérateur. Les icônes « A » (compartiment réfrigérateur) et « D » (affichage de la température) s'allument.

2. Appuyez sur la touche « K1/K8 » pour régler la température du réfrigérateur.

La température augmente par séquences de 1 °C, allant d'un minimum de 2 °C à un maximum de 8 °C. La température optimale dans le réfrigérateur est de 5 °C. Des températures plus froides entraînent une consommation d'énergie inutile.

3. Après environ 5 secondes, l'icône de température « D » (affichage de la température) s'allume de façon permanente et le réglage est confirmé.

Régler la température du congélateur

1. Appuyez sur la touche « K2 » (sélection de Réfrigérateur/(My Zone)/Congélateur) pour sélectionner le compartiment du congélateur. Les icônes « C » (compartiment du congélateur) et « D » (affichage de la température) s'allument.

2. Appuyez sur la touche « K1/K8 » pour régler la température du congélateur.

La température augmente par séquences de 1 °C, allant d'un minimum de -24 °C à un maximum de -16 °C. La température optimale dans le réfrigérateur est de -18 °C. Des températures plus froides entraînent une consommation d'énergie inutile.

3. Après environ 5 secondes, l'indicateur de température « D » (affichage de la température) s'allume de façon permanente et le réglage est confirmé.

Réglage de la température My Zone

Le compartiment réfrigérateur est équipé d'un tiroir My Zone. En fonction des exigences de conservation des aliments, la température la plus adaptée peut être sélectionnée pour obtenir la valeur nutritive optimale des aliments.

1. Appuyez sur la touche « K2 » (sélection de Réfrigérateur/(My Zone)/Congélateur) pour sélectionner le compartiment My Zone. Les icônes « B » (compartiment My Zone) et « D » (affichage de la température) s'allument.

2. Appuyez sur la touche « K1/K8 » pour régler la température My Zone.

La température augmente par séquences de 1 °C, allant d'un minimum de 0 °C à un maximum de 5 °C.

3. Après environ 5 secondes, l'icône de température « D » (affichage de la température) s'allume de façon permanente et le réglage est confirmé.



i REMARQUE

1. Vous pouvez régler la température du compartiment My Zone au niveau intermédiaire (2 °C), afin de préserver vos aliments dans un environnement de conservation optimal.
2. En raison des différentes teneurs en eau de la viande, certaines viandes contenant plus d'humidité seront congelées à des températures inférieures à 0 °C. Ainsi, la viande « tout juste coupée » doit être conservée dans le tiroir My Zone, avec une température minimale de 0 °C.
3. Les fruits sensibles au froid comme l'ananas, l'avocat, la banane, le pamplemousse et les légumes tels que les pommes de terre, les aubergines, les haricots, les concombres, les courgettes et les tomates ainsi que le fromage ne doivent pas être conservés dans le tiroir My Zone.
4. Si la température du réfrigérateur est inférieure à la température My Zone, il est normal que la température My Zone soit inférieure à la température de réglage My Zone.

i REMARQUE

Après avoir réglé la température, si d'autres touches sont enfoncées dans les 5 secondes, le réglage actuel de la température est immédiatement confirmé. Si aucune opération n'est effectuée dans les 5 secondes, la température définie actuelle reste affichée jusqu'à ce que l'écran s'éteigne.

i REMARQUE

Depuis l'application, il est possible de personnaliser la température pour le réfrigérateur, le congélateur et My Zone. La température peut être réglée avec une sensibilité de 1 °C.

Fonction Super Cool

1. Il est suggéré d'activer la fonction Super Cool lorsqu'une grande quantité d'aliments doit être conservée (par exemple après avoir fait les courses). La fonction Super Cool accélère le refroidissement des aliments frais et protège les aliments déjà entreposés du réchauffement indésirable.
2. Appuyez sur la touche « K3 » ou activez la fonction à partir de l'application, l'icône « E » (fonction Super Cool) est allumée et la fonction est activée.

REMARQUE

1. L'appareil quitte la fonction « Super Cool » après avoir passé 6 heures en fonction « Super Cool » ou lorsque vous appuyez sur la touche « K3 » alors que l'icône « E » (fonction Super Cool) est allumée ou lorsque vous la quittez depuis l'application.
2. En mode « Super Cool », si la température du compartiment du réfrigérateur est réglée, l'icône « E » (fonction Super Cool) clignote pour indiquer que cette opération ne peut pas être effectuée.

Fonction Super Freeze

1. Les aliments frais doivent être congelés le plus rapidement possible au cœur. Cela permet de préserver une valeur nutritive, un aspect et un goût optimaux. La fonction Super Freeze accélère la congélation des aliments frais et protège les aliments déjà entreposés du réchauffement indésirable. Si vous avez besoin de congeler une grande quantité d'aliments en une fois, il est recommandé de régler la fonction Super Freeze à l'avance pendant 24 h avant d'utiliser la chambre congelée.
2. Appuyez sur la touche « K4 » (réglage de la fonction Super Freeze) ou activez-la depuis l'application. L'icône « F » (fonction Super Freeze) est allumée et la fonction est activée.

REMARQUE

1. L'appareil quitte la fonction « Super Freeze » après avoir passé 50 heures en fonction « Super Freeze » ou lorsque vous appuyez sur la touche « K4 » alors que l'icône « F » (fonction Super Freeze) est allumée ou lorsque vous la quittez depuis l'application.
2. En mode « Super Freeze », si la température du compartiment congélateur est réglée, l'icône « F » (fonction Super Freeze) clignote pour indiquer que cette opération ne peut pas être effectuée.

Fonction Holiday

La fonction Holiday peut être utilisée pour réduire la consommation d'énergie de l'appareil lorsqu'il n'est pas utilisé régulièrement. Lorsque la fonction est activée, le réfrigérateur est éteint, tandis que le congélateur continue de fonctionner normalement. Cette fonction permet de régler la température du réfrigérateur de façon permanente à 17 °C.

Cela permet de garder la porte du réfrigérateur vide fermée sans que des odeurs ou des moisissures se développent pendant une longue absence (p.ex. pendant les vacances). Le compartiment congélateur peut être réglé librement.



1. Appuyez sur la touche « K5 » (marche/arrêt de la fonction Holiday) ou sélectionnez la fonction sur l'application. L'icône « G » (fonction Holiday) s'allume et la fonction est activée.
2. La fonction peut être désactivée en appuyant à nouveau sur la touche « K5 » (marche/arrêt de la fonction Holiday), en réglant la température du réfrigérateur ou en effectuant tout autre réglage, ou en l'éteignant depuis l'application.

REMARQUE

1. En mode Holiday, aucun aliment ne doit être conservé dans le compartiment du réfrigérateur. La température de 17 °C est trop élevée pour conserver les aliments.
2. Lorsque la fonction Holiday est activée, l'icône My Zone s'éteint et la fonction réfrigérateur est verrouillée. Si la température du compartiment réfrigérateur est réglée, l'icône « G » (fonction Holiday) clignote pour indiquer que cette opération ne peut pas être effectuée.

Fonction Eco Mode

L'Eco Mode peut être activé pour optimiser les performances de l'appareil, tout en obtenant la meilleure conservation des aliments. Si vous n'avez pas d'exigences particulières, nous vous recommandons d'utiliser la fonction Eco Mode.

Avec ce mode, la température du réfrigérateur est de 5 °C, la température de congélation est de -18 °C.

1. Appuyez sur la touche « K6 » (marche/arrêt de la fonction Eco Mode) ou sélectionnez la fonction depuis l'application.
2. L'icône « H » (fonction Eco Mode) s'allume et la fonction est activée.

En répétant les étapes ci-dessus ou en sélectionnant une autre fonction ou en l'éteignant depuis l'application, cette fonction peut être désactivée à nouveau. Les niveaux de refroidissement prédéfinis sont rétablis.

REMARQUE

En Eco Mode, si la température du compartiment réfrigérateur/congélateur est réglée, l'icône « H » (fonction Eco Mode) clignote pour indiquer que cette opération ne peut pas être effectuée.

Étape 1 Téléchargez l'application hOn dans les stores.

   	
<p>Étape 2 Créez votre compte sur l'application hOn ou connectez-vous si vous possédez déjà un compte.</p> 	<p>Étape 3 Suivez les instructions d'appairage dans l'application hOn.</p> 

Fonction Wi-Fi

1. Suivez les instructions de l'application pour configurer le Wi-Fi.
2. Une fois le Wi-Fi configuré et la connexion établie, l'icône Wi-Fi « I » est allumée et fixe.
3. Si le Wi-Fi a déjà été configuré, il se reconnectera automatiquement en fonction des informations de configuration lorsque vous l'allumerez.

REMARQUE

1. Pour désactiver le Wi-Fi, appuyez sur la touche Wi-Fi « K7 » et l'icône Wi-Fi « I » s'éteint.
2. Pour activer le Wi-Fi et démarrer la configuration, appuyez sur la touche Wi-Fi « K7 » et l'icône Wi-Fi « I » commence à clignoter lentement. Si vous souhaitez configurer la fonction Wi-Fi, appuyez sur la touche « K7 » pendant 3 secondes. L'icône Wi-Fi clignote rapidement et passe en mode de configuration. Si vous souhaitez désactiver la fonction Wi-Fi, appuyez une fois sur la touche « K7 ». Répétez les étapes ci-dessus.
3. Si le produit a été configuré et que la fonction Wi-Fi a été désactivée, le réfrigérateur n'entrera pas en mode de configuration une fois reconnecté à l'alimentation.

REMARQUE

1. Ce produit n'est pas destiné à un usage commercial.
2. Puissance de sortie RF maximale : Wi-Fi 2,4 GHz : 16 dBm ;



3. Bluetooth® Low Energy : 5 dBm ; Bluetooth® (BR/EDR) : 10 dBm.

4. Bande de fréquence de fonctionnement : 2 400-2 483,5 MHz.

La marque et les logos Bluetooth® sont des marques déposées appartenant à Bluetooth SIG, Inc. et leur utilisation par Candy Hoover Group SRL se fait sous licence. Les autres marques et noms commerciaux mentionnés appartiennent à leurs propriétaires respectifs.

Conservation dans le compartiment réfrigérateur

- Conservez la température de votre réfrigérateur en dessous de 5 °C.
- Les aliments chauds doivent avoir refroidi à température ambiante avant d'être placés dans l'appareil.
- Les aliments conservés au réfrigérateur doivent être lavés et essuyés avant de les entreposer.
- Les aliments à conserver doivent être bien emballés hermétiquement pour éviter les odeurs ou l'altération du goût.
- Ne conservez pas des quantités excessives d'aliments. Laissez de la place entre les aliments pour permettre à l'air froid de circuler autour d'eux, pour un refroidissement meilleur et plus homogène.
- Les aliments consommés quotidiennement doivent être conservés à l'avant de la clayette.
- Laissez un espace entre les aliments et les parois intérieures, pour permettre la circulation de l'air. Ne placez en aucun cas d'aliments contre la paroi arrière : les aliments pourraient y geler. Évitez tout contact direct des aliments (en particulier les aliments gras ou acides) avec le revêtement intérieur, car l'huile/l'acide peut éroder le revêtement intérieur. Nettoyez les saletés grasses/acides chaque fois que vous en découvrez.
- Les aliments congelés peuvent être légèrement décongelés dans le compartiment du réfrigérateur. Cela permet d'économiser de l'énergie.
- Le vieillissement des fruits et des légumes comme les courgettes, les melons, la papaye, la banane, l'ananas, etc. peut être accéléré au réfrigérateur. Par conséquent, il n'est pas recommandé de les conserver au réfrigérateur. Cependant, la maturation des fruits très verts peut être favorisée pendant une certaine période. Les oignons, l'ail, le gingembre et les autres légumes-racines doivent également être conservés à température ambiante.
- Les odeurs désagréables à l'intérieur du réfrigérateur sont un signe que quelque chose a été renversé et qu'il faut nettoyer. Voir Entretien et nettoyage.
- Différents aliments doivent être placés dans différents endroits en fonction de leurs propriétés :

Conservation dans le compartiment congélateur

- Maintenez la température du congélateur à -18 °C.
- 24 heures avant la congélation, activez la fonction Super-Freeze. Pour de petites quantités d'aliments, 4-6 heures suffisent.
- Les aliments chauds doivent avoir refroidi à température ambiante avant d'être placés dans le compartiment congélateur.
- Les aliments coupés en petites portions congèleront plus rapidement et seront plus faciles à décongeler et à cuire. Le poids recommandé pour chaque portion est inférieur à 2,5 kg

- Il vaut mieux emballer les aliments avant de les mettre dans le congélateur. L'extérieur de l'emballage doit être sec pour éviter que les sacs ne collent les uns aux autres. Les matériaux d'emballage doivent être exempts d'odeurs, étanches à l'air et non toxiques.
- Afin d'éviter l'expiration des périodes de conservation, veuillez noter la date de congélation, la limite de temps et le nom des aliments présents sur l'emballage en fonction des périodes de conservation des différents aliments.



AVERTISSEMENT !

- ▶ les acides, les alcalis et le sel, etc., pourraient éroder la surface interne du congélateur.
- ▶ Ne placez pas les aliments contenant ces substances (par ex. poissons de mer) directement sur la surface interne. L'eau salée dans le congélateur doit être nettoyée immédiatement.
- ▶ Ne dépassez pas le temps de conservation des aliments recommandé par les fabricants. Ne sortez que la quantité requise d'aliments du congélateur.
- ▶ Consommez rapidement les aliments décongelés. Les aliments décongelés ne peuvent pas être recongelés à moins qu'ils ne soient d'abord cuits, sans quoi ils risqueraient de devenir impropres à la consommation.
- ▶ Ne pas mettre de quantités excessives d'aliments frais dans le compartiment congélateur. Reportez-vous à la capacité de congélation du congélateur - Voir les DONNÉES TECHNIQUES ou les données sur la plaque signalétique.
- ▶ Les aliments peuvent être conservés au congélateur à une température d'au moins -18°C pendant 2 à 12 mois, en fonction de leurs propriétés (par ex. viande : 3-12 mois, légumes : 6-12 mois)
- ▶ Lorsque vous congelez des aliments frais, évitez de les mettre en contact avec des aliments déjà congelés. Risque de décongélation !

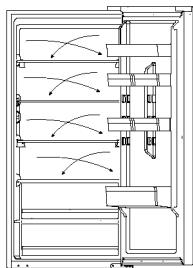
Lorsque vous conservez des aliments surgelés achetés dans le commerce, veuillez suivre ces directives :

- Suivez toujours les directives du fabricant pour la durée de conservation des aliments. Ne dépassez pas ces directives !
- Essayez de garder le temps entre l'achat et le stockage le plus court possible pour préserver la qualité des aliments.
- Achetez des aliments surgelés, qui ont été conservés à une température de -18°C ou moins.
- Évitez d'acheter des aliments qui ont de la glace ou du givre sur l'emballage : cela indique que les produits ont pu être partiellement décongelés et recongelés à un certain moment et les hausses de température affectent la qualité des aliments.



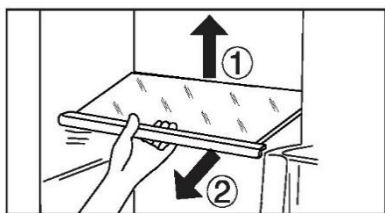
i REMARQUE

En raison des différents modèles, votre produit peut ne pas avoir toutes les fonctions suivantes. Reportez-vous au chapitre Description du produit.



Flux multi-air

Le réfrigérateur est équipé d'un système à flux multi-air, avec lequel des flux d'air froids se trouvent au niveau de chaque clayette. Cela permet de maintenir une température uniforme afin de garantir que vos aliments conservent leur fraîcheur pendant plus longtemps.



Clayette réglable

1. La hauteur des clayettes peut être réglée en fonction de vos besoins de rangement.
2. Pour déplacer une clayette, retirez-la d'abord en levant son bord arrière ① et en la tirant ②.
3. Pour la remettre en place, placez-la sur les ergots des deux côtés et poussez-la dans la position la plus reculée jusqu'à ce que l'arrière de la clayette soit fixé à l'intérieur des fentes sur les côtés.

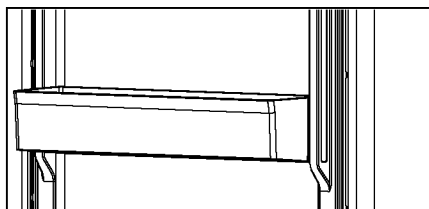
i REMARQUE

Assurez-vous que toutes les extrémités d'une clayette sont au même niveau.

Balcon de porte amovible

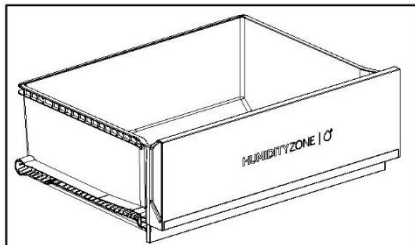
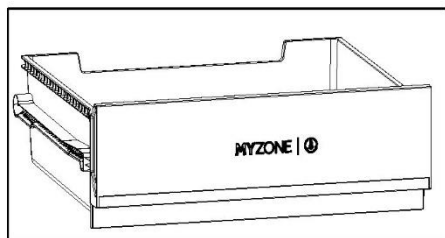
Le balcon de porte peut être enlevé pour le nettoyage :

Placez les mains de chaque côté du balconnet, soulevez-le (1) et tirez-le (2). Pour insérer le balconnet de porte, vous devez suivre les étapes ci-dessus dans l'ordre inverse.



Tiroir My Zone

Pour l'utilisation et le réglage du compartiment My Zone, consultez la section UTILISATION (My Zone).



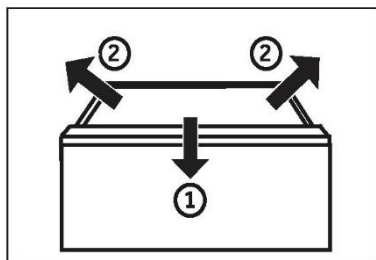
Tiroir Humidity Zone

Dans ce compartiment, le niveau d'humidité est contrôlé automatiquement par le système et permet de stocker fruits, légumes, salades, etc.

Tiroir amovible

Pour retirer le tiroir du réfrigérateur ou du congélateur, tirez-le à fond vers l'extérieur (1), soulevez et retirez le tiroir (2).

Pour réintroduire le tiroir, vous devez effectuer les étapes ci-dessus dans l'ordre inverse.



Tiroir du congélateur

Le tiroir du congélateur peut être sorti entièrement en le gardant bien droit. Ils sont montés sur un rail télescopique à roulettes, afin que vous puissiez stocker et retirer les aliments congelés confortablement. Grâce au mécanisme de fermeture automatique de la porte, la manipulation est facile et vous économisez de l'énergie.



AVERTISSEMENT !

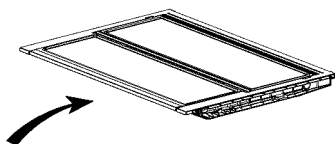
Ne surcharge pas les tiroirs : Charge maximale de chaque tiroir : 35 kg !

La lumière

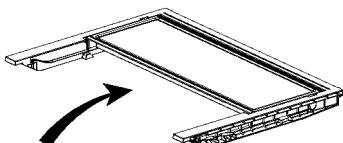
La lumière LED à l'intérieur s'allume lorsque la porte est ouverte. Le fonctionnement des lumières n'est affecté par aucun des autres réglages de l'appareil.

Étagère pliable

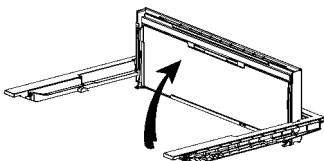
La clayette rabattable permet à l'utilisateur de placer des bouteilles hautes ou des articles sur les clayettes. La clayette peut être rabattue vers l'arrière afin de maximiser l'espace disponible de la clayette inférieure. La clayette peut être rabattue comme indiqué aux étapes 1~3. Pour revenir à la position d'origine, inversez les procédures suivantes.



Étape 1 : Poussez lentement l'avant de la clayette jusqu'à l'extrémité.



Étape 2 : Poussez doucement la clayette vers le haut jusqu'à son emplacement vertical.



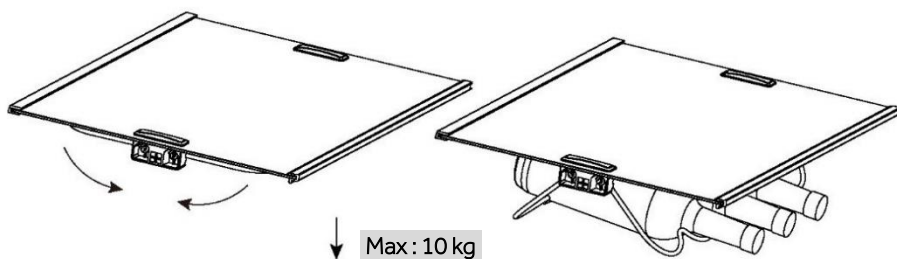
Étape 3 : L'étagère est à la verticale. Cela permet de gagner de la place.

Porte-bouteilles rabattable

Pour une utilisation normale

1. Tirez vers le bas les supports du porte-bouteilles
2. Placez les bouteilles dans le porte-bouteilles

Lorsqu'il n'est pas utilisé, le porte-bouteilles peut être rabattu vers l'arrière afin de gagner de la place.





Conseils d'économie d'énergie

- ▶ Assurez-vous que l'appareil est bien ventilé (voir INSTALLATION).
- ▶ N'installez pas l'appareil en plein soleil ou à proximité de sources de chaleur (par ex. cuisinières, chauffages).
- ▶ Évitez une température inutilement basse dans l'appareil. La consommation d'énergie augmente avec la baisse de la température de réglage de l'appareil.
- ▶ Des fonctions comme SUPER FREEZE consomment plus d'énergie.
- ▶ Laissez les aliments chauds refroidir avant de les mettre dans l'appareil.
- ▶ Ouvrez la porte de l'appareil le moins souvent et le plus brièvement possible.
- ▶ Ne remplissez pas trop l'appareil pour éviter de bloquer la circulation de l'air.
- ▶ Évitez l'air dans l'emballage des aliments.
- ▶ Gardez les joints de la porte propres afin que la porte se ferme toujours correctement.
- ▶ Décongelez les aliments surgelés dans le compartiment de stockage du réfrigérateur ou utilisez la fonction D-Frost dans le tiroir My Zone.
- ▶ La configuration la plus économe en énergie nécessite que le tiroir, le bac de rangement et les clayettes soient positionnés dans l'appareil dans les conditions d'usine, et que les aliments soient placés sans bloquer la sortie d'air du conduit.



AVERTISSEMENT !

Nettoyage

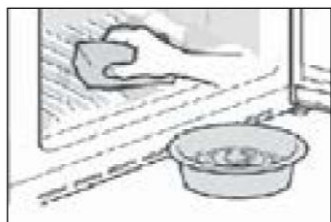
Nettoyez l'appareil lorsqu'il n'y a qu'un peu de nourriture ou qu'il n'y a pas de nourriture à l'intérieur.

L'appareil doit être nettoyé toutes les quatre semaines pour un bon entretien et pour éviter les mauvaises odeurs des aliments conservés à l'intérieur.



AVERTISSEMENT !

- ▶ Ne nettoyez pas l'appareil à l'aide de brosses dures, de brosses métalliques, de détergents en poudre, d'essence, d'acétate d'amyle, d'acétone et de solutions organiques similaires, d'acides ou de solutions alcalines. Nettoyez-le avec un détergent spécial pour réfrigérateur afin d'éviter de l'endommager.
- ▶ Ne pulvérisez pas et ne rincez pas l'appareil pendant le nettoyage.
- ▶ N'utilisez pas de jet d'eau ou de vapeur pour nettoyer l'appareil.
- ▶ Ne nettoyez pas les clayettes froides en verre à l'eau chaude. Un changement soudain de température peut casser le verre.
- ▶ Ne touchez pas la surface intérieure du compartiment de l'appareil, en particulier avec les mains mouillées, car vos mains peuvent geler sur la surface.
- ▶ En cas de réchauffement, vérifiez l'état des produits surgelés.



- ▶ Gardez toujours le joint de la porte propre.
- ▶ Nettoyez l'intérieur et le bâti de l'appareil à l'aide d'une éponge imbibée d'eau tiède et de détergent neutre.
- ▶ 1. Veuillez frotter l'intérieur et l'extérieur du réfrigérateur, y compris le joint de porte, le porte-bouteille, les clayettes en verre, les boîtes, etc., avec un torchon doux ou une éponge imbibée d'eau chaude (vous pouvez ajouter un détergent neutre dans l'eau chaude).
- ▶ 2. S'il y a du liquide renversé, retirez toutes les parties contaminées, rincez-les directement sous l'eau du robinet, séchez-les et remettez-les dans le réfrigérateur.
- ▶ 3. S'il y a de la crème (par exemple de la crème, de la crème glacée qui fond), retirez toutes les parties contaminées, placez-les dans de l'eau chaude à 40 °C pendant un certain temps, puis rincez-les à l'eau courante, séchez-les et remettez-les dans le réfrigérateur.
- ▶ 4. Si une petite pièce ou un élément reste coincé à l'intérieur du réfrigérateur (entre les clayettes ou les tiroirs), utilisez une petite brosse souple pour l'éliminer. Si vous ne pouvez pas atteindre la pièce, veuillez contacter le service clientèle Haier
- ▶ Rincez et séchez avec un chiffon doux.



- ▶ Ne nettoyez aucune des parties de l'appareil au lave-vaisselle.
- ▶ Attendez au moins 5 minutes avant de redémarrer l'appareil, car le démarrage fréquent risque d'endommager le compresseur.

Dégivrage

Le dégivrage du réfrigérateur et du compartiment congélateur se fait automatiquement ; aucune opération manuelle n'est nécessaire.

Remplacement des lampes LED



AVERTISSEMENT !

Ne remplacez pas la lampe LED vous-même, elle ne doit être remplacée que par le fabricant ou l'agent de maintenance agréé.

Les lampes utilisent des LED comme source lumineuse, avec une faible consommation d'énergie et une longue durée de vie. En cas d'anomalie, veuillez contacter le service clientèle. Reportez-vous au paragraphe SERVICE CLIENTÈLE.

Paramètres des lampes :

Pièce	Lampe LED
Tension	12 V
Puissance max.	1,5 W
Spécification LED	Blanc-2835
Classe d'efficacité des LED	G
Température d'utilisation	-40~80 °C

Non-utilisation pendant une période prolongée

Si l'appareil n'est pas utilisé pendant une période prolongée et que vous n'utiliserez pas la fonction Holiday pour le réfrigérateur :

Sortez les aliments.

Débranchez le cordon d'alimentation.

Nettoyez l'appareil selon les instructions ci-dessus.

Gardez les portes ouvertes pour éviter la formation de mauvaises odeurs à l'intérieur.



REMARQUE

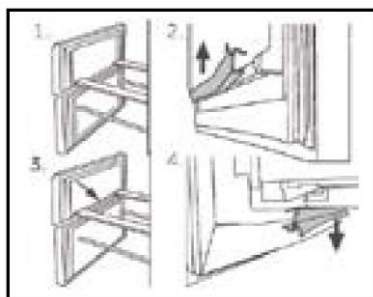
N'éteignez l'appareil que si cela est strictement nécessaire.

Jointes auxiliaires amovibles de la porte

Six joints de porte auxiliaires se trouvent sur les tiroirs supérieur et inférieur du congélateur.

1. Localisez les cinq joints de porte indiqués sur les tiroirs du congélateur supérieur et inférieur.
2. Assurez-vous que les parties courbées des joints sont orientées vers l'intérieur pendant la fixation.
3. Localisez le joint inférieur du tiroir supérieur comme indiqué.
4. Assurez-vous que la partie courbée de ce joint est orientée vers le bas pendant la fixation.

Vous pouvez obtenir ces joints ainsi que les joints de porte tournante/tiroir auprès du service clientèle (voir la carte de garantie).



Déplacement de l'appareil

1. Retirez tous les aliments et débranchez l'appareil.
2. Fixez les clayettes et les autres parties mobiles dans le réfrigérateur et dans le congélateur avec du ruban adhésif.
3. N'inclinez pas le réfrigérateur à plus de 45° pour éviter d'endommager le système de réfrigération.



AVERTISSEMENT !

- ▶ Ne soulevez pas l'appareil par ses poignées.
- ▶ Ne placez jamais l'appareil à l'horizontale sur le sol.



Vous pouvez résoudre de nombreux problèmes vous-même sans expertise spécifique. En cas de problème, veuillez vérifier toutes les possibilités indiquées et suivre les instructions ci-dessous avant de contacter un service clientèle. Reportez-vous au paragraphe SERVICE CLIENTÈLE.



AVERTISSEMENT !

- ▶ Avant l'entretien, désactivez l'appareil et débranchez la fiche secteur de la prise secteur.
- ▶ L'équipement électrique ne doit être entretenu que par des experts en électricité qualifiés, car des réparations inappropriées peuvent causer des dommages consécutifs considérables.
- ▶ Une alimentation endommagée ne devrait être remplacée que par le fabricant, son agent de maintenance ou des personnes avec une qualification similaire de manière à éviter tout danger.

Tableau de dépannage

Problème	Cause possible	Solution possible
Le compresseur ne fonctionne pas.	La fiche secteur n'est pas branchée dans la prise secteur.	Branchez la fiche secteur.
	L'appareil est en cours de dégivrage.	Ceci est normal pour un dégivrage automatique.
L'appareil fonctionne fréquemment ou fonctionne trop longtemps.	La température intérieure ou extérieure est trop élevée.	Dans ce cas, il est normal que l'appareil fonctionne plus longtemps.
	L'appareil a été hors tension pendant un certain temps.	Normalement, il faut 8 à 12 heures pour que l'appareil refroidisse complètement.
	Une porte/un tiroir de l'appareil n'est pas bien fermé(e).	Fermez la porte/le tiroir et assurez-vous que l'appareil est situé sur un sol de niveau et qu'il n'y a pas d'aliment ou de récipient bloquant la porte.
	La porte/le tiroir a été ouvert(e) trop fréquemment ou trop longtemps.	N'ouvrez pas trop souvent la porte / le tiroir.
	Le réglage de la température du compartiment congélateur est trop bas.	Réglez une température plus élevée jusqu'à l'obtention d'une température satisfaisante dans le réfrigérateur. Il faut 24 heures pour que la température du réfrigérateur devienne stable.
	Le joint de la porte/du tiroir est sale, usé, fissuré ou ne correspond pas.	Nettoyez le joint de la porte/du tiroir ou faites-le remplacer par le service clientèle.
	La circulation de l'air requise n'est pas garantie.	Assurez une ventilation adéquate.

Problème	Cause possible	Solution possible
L'intérieur du réfrigérateur est sale et/ou sent mauvais.	L'intérieur du réfrigérateur a besoin de nettoyage.	Nettoyez l'intérieur du réfrigérateur.
	Des aliments à forte odeur sont conservés au réfrigérateur.	Enveloppez soigneusement les aliments.
Il ne fait pas suffisamment froid à l'intérieur de l'appareil.	La température réglée est trop élevée.	Réinitialisez la température.
	Des aliments trop chauds ont été stockés dans l'appareil.	Laissez toujours refroidir les aliments avant de les mettre à l'intérieur.
	Trop d'aliments ont été mis à l'intérieur en même temps.	Conservez toujours de petites quantités d'aliments.
	Les aliments sont trop proches les uns des autres.	Laissez de la place entre plusieurs aliments pour permettre la circulation de l'air.
	Une porte/un tiroir de l'appareil n'est pas bien fermé(e).	Fermez la porte / le tiroir.
	La porte/le tiroir a été ouvert(e) trop fréquemment ou trop longtemps.	N'ouvrez pas trop souvent la porte / le tiroir.
Il fait trop froid à l'intérieur de l'appareil.	La température réglée est trop basse.	Réinitialisez la température.
	La fonction Super Freeze est activée ou fonctionne depuis trop longtemps.	Désactivez la fonction Super Freeze.
De l'humidité se forme à l'intérieur du compartiment du réfrigérateur.	Le climat est trop chaud et trop humide.	Augmentez la température.
	Une porte/un tiroir de l'appareil n'est pas bien fermé(e).	Fermez la porte / le tiroir.
	La porte/le tiroir a été ouvert(e) trop fréquemment ou trop longtemps.	N'ouvrez pas trop souvent la porte / le tiroir.
	Les récipients contenant des aliments ou des liquides sont laissés ouverts.	Laissez refroidir les aliments chauds à température ambiante et couvrez les aliments et les liquides.
L'humidité s'accumule sur le réfrigérateur à l'extérieur de la surface ou entre les portes / la porte et le tiroir.	Le climat est trop chaud et trop humide.	C'est normal dans un climat humide et cela va changer lorsque l'humidité diminuera.
	La porte/le tiroir n'est pas fermé(e) hermétiquement.	Assurez-vous que la porte/le tiroir est bien fermé(e).
Glace dure et givre dans le compartiment congélateur.	Les aliments n'étaient pas correctement emballés.	Emballer toujours bien les
	La porte/le tiroir a été ouvert(e) trop fréquemment ou trop longtemps.	N'ouvrez pas trop souvent la porte / le tiroir.
	Le joint de la porte/du tiroir est sale, usé, fissuré ou ne correspond pas.	Nettoyez le joint de la porte/du tiroir ou remplacez-les par des joints neufs.
	Quelque chose à l'intérieur empêche la porte/le tiroir de se fermer correctement.	Repositionnez les clayettes, les balconnets de porte ou les récipients à l'intérieur pour permettre à la porte/au tiroir de se fermer.



Problème	Cause possible	Solution possible
L'appareil émet des sons anormaux.	L'appareil n'est pas situé sur un sol de niveau.	Réglez le pied pour mettre l'appareil de niveau.
	L'appareil touche un objet situé à proximité.	Retirez les objets autour de l'appareil.
Un léger son doit être entendu comme celui de l'eau courante.	Cela est normal.	/
Un bip d'alarme retentit.	La porte du compartiment de rangement du réfrigérateur est ouverte.	Fermez la porte ou éteignez l'alarme manuellement.
Vous entendrez un léger bourdonnement.	Le système anti-condensation fonctionne.	Cela empêche la condensation et est normal.
Le système d'éclairage ou de refroidissement à l'intérieur ne fonctionne pas.	La fiche secteur n'est pas branchée dans la prise secteur.	Branchez la fiche secteur.
	L'alimentation n'est pas intacte.	Vérifiez l'alimentation électrique de la pièce. Appelez la société d'électricité locale !
	La lampe LED est hors service.	Veuillez appeler le service technique pour faire changer la lampe.
Les côtés de l'appareil et de la bande de la porte se réchauffent.	Cela est normal.	/
Il n'y a pas d'eau qui sort du bec verseur	Le verrouillage n'est pas désactivé.	Désactiver le verrouillage



Coupure de courant

- ▶ En cas de coupure de courant, les aliments devraient rester froids en toute sécurité pendant 13 heures environ. Suivez ces conseils pendant une coupure de courant prolongée, en particulier en été.
- ▶ Ne mettez pas d'aliments supplémentaires dans l'appareil pendant une coupure de courant.
- ▶ Si un préavis de coupure de courant est donné et que la durée de la coupure est supérieure à 13 heures, préparez des glaçons et placez-les dans un récipient en haut du compartiment réfrigérateur.
- ▶ Une inspection des aliments est requise immédiatement après la coupure de courant.
- ▶ Étant donné que la température du réfrigérateur augmentera lors d'une coupure de courant ou d'une autre panne, la durée de conservation et la qualité alimentaire des aliments seront réduites. Tout aliment décongelé doit être consommé ou cuit et recongelé (le cas échéant) peu de temps après afin de prévenir les risques pour la santé.



REMARQUE

Fonction mémoire pendant la coupure de courant

Lorsque le courant revient, l'appareil continue à fonctionner avec les réglages définis avant la panne de courant.

Pour contacter l'assistance technique, visitez notre site Web :
<https://corporate.haier-eu-rope.com/en/>

Dans la rubrique « site Web », choisissez la marque de votre produit et votre pays. Vous serez redirigé vers le site Internet spécifique où vous trouverez le numéro de téléphone et les autres moyens de contacter l'assistance technique.

Déballage



AVERTISSEMENT !

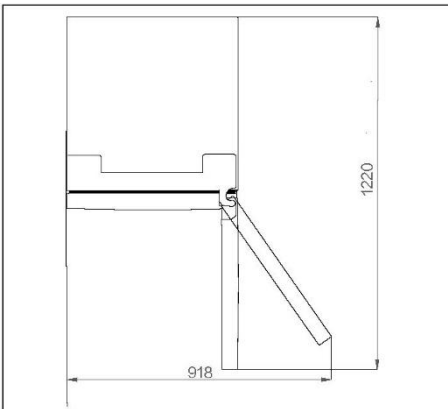
- ▶ L'appareil est lourd. Manipulez-le toujours avec au moins deux personnes.
- ▶ Conservez tous les emballages hors de la portée des enfants, puis jetez-les d'une manière respectueuse de l'environnement.
- ▶ Sortez l'appareil de l'emballage.
- ▶ Retirez tous les matériaux d'emballage.

Conditions environnementales

La température ambiante doit toujours être comprise entre 10 °C et 43 °C, car elle peut influencer sur la température à l'intérieur de l'appareil et sa consommation d'énergie. N'installez pas l'appareil à proximité d'autres appareils générant de la chaleur (fours, réfrigérateurs) sans isolation.

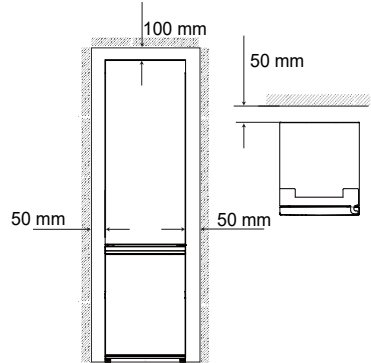
Espace recommandé

Espace recommandé lorsque la porte est ouverte.



Coupe transversale de ventilation

Pour obtenir une ventilation suffisante pour l'appareil pour des raisons de sécurité, nous recommandons de respecter les directives en matière d'espace recommandé.

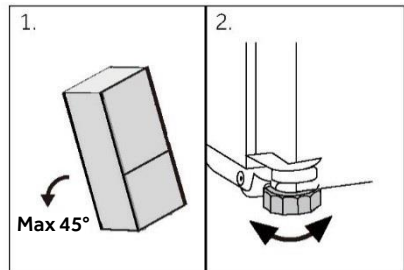


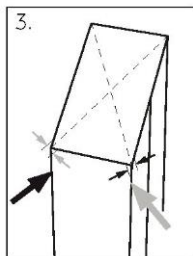
Alignement de l'appareil

L'appareil doit être placé sur une surface plane et solide.

1. Inclinez le réfrigérateur légèrement vers l'arrière.
2. Réglez les pieds au niveau souhaité.

Assurez-vous que la distance entre le mur et le côté de la charnière est d'au moins 100 mm pour que la porte s'ouvre correctement.

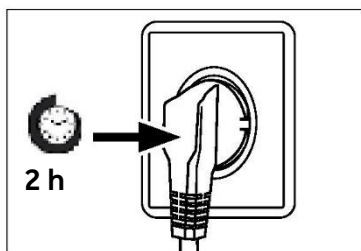




1. La stabilité peut être vérifiée en alternant les diagonales. Le léger flottement doit être le même dans les deux directions. Dans le cas contraire, le cadre peut se déformer ; cela se traduit par des fuites au niveau des joints de la porte. Une faible tendance vers l'arrière facilite la fermeture des portes.

i REMARQUE

Pour un appareil en pose libre : cet appareil de réfrigération n'est pas destiné à être utilisé comme un appareil encastré.



Temps d'attente

L'huile de lubrification sans entretien se trouve dans la capsule du compresseur. Cette huile peut passer par le système fermé de tuyauterie pendant le transport incliné. Avant de brancher l'appareil sur l'alimentation électrique, attendez au moins 2 heures afin que l'huile revienne dans la capsule.

Branchement électrique

Avant chaque branchement, vérifiez si :

- ▶ l'alimentation, la prise et le fusible sont adaptés à la plaque signalétique.
- ▶ la prise de courant est mise à la terre et sans multiprise ni rallonge.
- ▶ la fiche d'alimentation et la prise sont adaptées l'une à l'autre.

Branchez la fiche sur une prise domestique correctement installée.



AVERTISSEMENT !

Pour éviter tout risque, un câble d'alimentation endommagé doit être remplacé par le service à la clientèle (voir carte de garantie).



Réversibilité de la porte

Avant de brancher l'appareil sur l'alimentation électrique, vérifiez si le battant de porte doit passer de droite (tel qu'il est livré) à gauche, lorsque cela est requis par l'emplacement d'installation et l'utilisation.

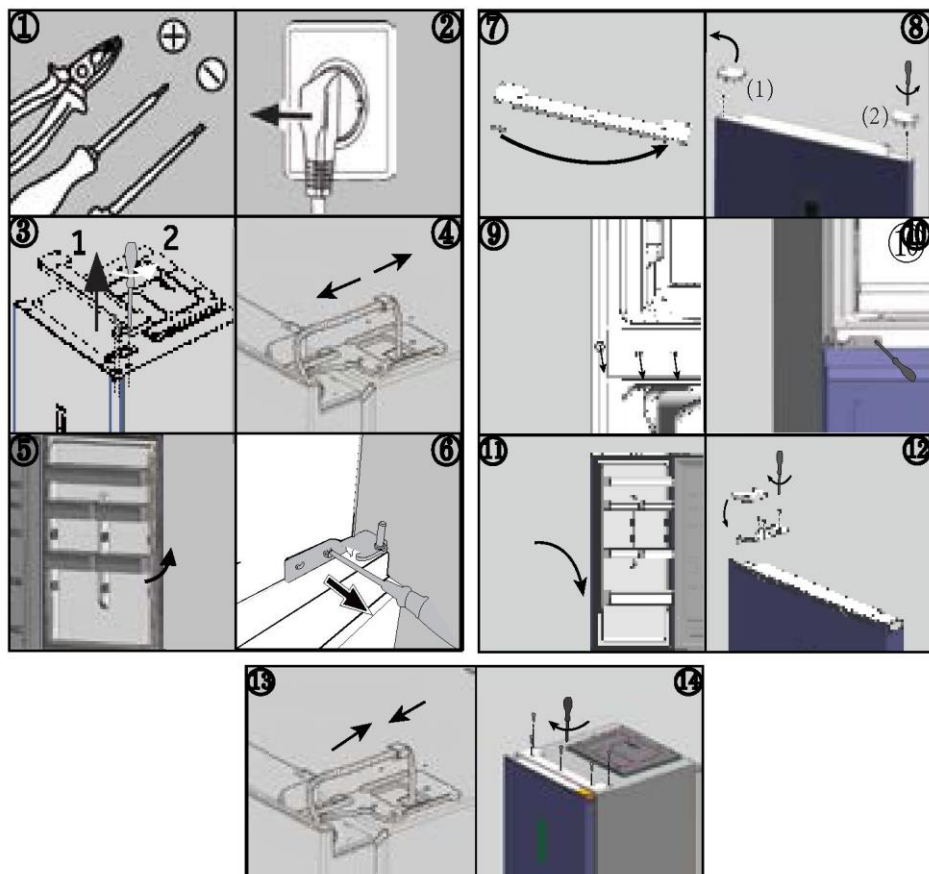


AVERTISSEMENT !

- ▶ L'appareil est lourd. Vous avez besoin de deux personnes pour changer la porte de côté.
- ▶ Avant toute opération, débranchez tout d'abord l'appareil du secteur.
- ▶ N'inclinez pas l'appareil à plus de 45° pour éviter d'endommager le système de refroidissement.

Étapes du montage

1. Munissez-vous de l'outil nécessaire.
 2. Débranchez l'appareil.
 3. Retirez le cache de la charnière supérieure 1 et dévissez la charnière supérieure (trois vis) sur le côté droit 2.
 4. Débranchez le câble de raccordement.
 5. Soulevez soigneusement la porte du réfrigérateur défaite pour la retirer de la charnière centrale.
 6. Retirez la charnière centrale.
 7. Retirez le petit couvercle du panneau avant de gauche à droite.
 8. Retournez la porte et dévissez le couvercle (1). Retirez le nouveau couvercle (2) du sac fourni et vissez-le sur le côté opposé.
 9. Changez les positions des bouchons d'obturation et de la vis latérale.
 10. Vissez la charnière centrale sur le côté gauche de l'appareil. Inversez le pivot de la charnière centrale, en veillant à ce que le côté avec le joint soit orienté vers le haut.
 11. Soulevez avec précaution la porte supérieure sur la charnière centrale. Assurez-vous que le pivot s'insère dans le cylindre de charnière de la porte inférieure.
 12. Sortez la nouvelle charnière supérieure et le nouveau couvercle de charnière du sac d'accessoires. Faites passer le câble de connexion à travers la charnière supérieure et fixez la charnière supérieure avec les trois vis du côté gauche de l'appareil. Ensuite, placez le couvercle sur la charnière.
 13. Branchez le câble de connexion.
 14. Remplacez le panneau avant et fixez-le à l'aide de cinq vis.
- Après le changement de porte, vérifiez si les joints de porte sont correctement placés sur le bâti et que toutes les vis sont bien serrées.



Températures ambiantes

Tempéré étendu : « cet appareil de réfrigération est destiné à être utilisé à des températures ambiantes allant de 10 °C à 32 °C » ;

Tempéré : « cet appareil de réfrigération est destiné à être utilisé à des températures ambiantes allant de 16 °C à 32 °C » ;

Subtropical : « cet appareil de réfrigération est destiné à être utilisé à des températures ambiantes allant de 16 °C à 38 °C » ;

Tropical : « cet appareil de réfrigération est destiné à être utilisé à des températures ambiantes allant de 16 °C à 43 °C ».



Paramètres du produit conformément au règlement (UE)2019/2016

D'après les résultats des tests standard pendant 24 heures. La consommation d'énergie réelle dépendra des conditions d'utilisation et de l'emplacement de l'appareil

Modèle	HTW5618DN*	HTW5620DN*	HTW5618EN*
Type d'appareil de réfrigération	Réfrigérateur- congélateur	Réfrigérateur- congélateur	Réfrigérateur- congélateur
Classe d'efficacité énergétique	D	D	E
Consommation annuelle d'énergie (kWh/an)	217	226	271
Volume du compartiment réfrigérateur (l)	201	255	201
Volume du compartiment congélateur (l)	125	125	125
Volume du compartiment fraîcheur (l)	34	34	34
Classe de congélation	4 étoiles	4 étoiles	4 étoiles
Type de dégivrage	Dégivrage automatique	Dégivrage automatique	Dégivrage automatique
Temps de montée en température (h)	13	13	11
Capacité de congélation (kg/24h)	10,0	10,0	10,0
Classe climatique	SN.N.ST.T	SN.N.ST.T	SN.N.ST.T
Classe d'émission de bruit et émissions acoustiques dans l'air (dB(A) re 1 pW)	B(35)	B(35)	B(35)



Modèle	HTW5618CN*	HTW5620CN*	HTW5620EN*
Type d'appareil de réfrigération	Réfrigérateur-congélateur	Réfrigérateur-congélateur	Réfrigérateur-congélateur
Classe d'efficacité énergétique	C	C	E
Consommation annuelle d'énergie (kWh/an)	173	181	283
Volume du compartiment réfrigérateur (l)	201	255	255
Volume du compartiment congélateur (l)	125	125	125
Volume du compartiment fraîcheur (l)	34	34	34
Classe de congélation	4 étoiles	4 étoiles	4 étoiles
Type de dégivrage	Dégivrage automatique	Dégivrage automatique	Dégivrage automatique
Temps de montée en température (h)	13	13	11
Capacité de congélation (kg/24h)	10,0	10,0	10,0
Classe climatique	SN.N.ST.T	SN.N.ST.T	SN.N.ST.T
Classe d'émission de bruit et émissions acoustiques dans l'air (dB(A) re 1 pW)	B(35)	B(35)	B(35)



Modèle	HDPW5618DN*	HDPW5620DN*	HTW3620DN*
Type d'appareil de réfrigération	Réfrigérateur- congélateur	Réfrigérateur- congélateur	Réfrigérateur- congélateur
Classe d'efficacité énergétique	D	D	D
Consommation annuelle d'énergie (kWh/an)	214	220	220
Volume du compartiment réfrigérateur (l)	201	255	255
Volume du compartiment congélateur (l)	125	125	117
Volume du compartiment fraîcheur (l)	34	34	34
Classe de congélation	4 étoiles	4 étoiles	4 étoiles
Type de dégivrage	Dégivrage automatique	Dégivrage automatique	Dégivrage automatique
Temps de montée en température (h)	13	13	11
Capacité de congélation (kg/24h)	10,0	10,0	10,0
Classe climatique	SN.N.ST.T	SN.N.ST.T	SN.N.ST.T
Classe d'émission de bruit et émissions acoustiques dans l'air (dB(A) re 1 pW)	B(35)	B(35)	B(35)



Modèle	HTW5618CN*	HTW5620CN*	HTW5620EN*
Type d'appareil de réfrigération	Réfrigérateur-congélateur	Réfrigérateur-congélateur	Réfrigérateur-congélateur
Classe d'efficacité énergétique	C	C	E
Consommation annuelle d'énergie (kWh/an)	173	181	283
Volume du compartiment réfrigérateur (l)	201	255	255
Volume du compartiment congélateur (l)	125	125	125
Volume du compartiment fraîcheur (l)	34	34	34
Classe de congélation	4 étoiles	4 étoiles	4 étoiles
Type de dégivrage	Dégivrage automatique	Dégivrage automatique	Dégivrage automatique
Temps de montée en température (h)	13	13	11
Capacité de congélation (kg/24h)	10,0	10,0	10,0
Classe climatique	SN.N.ST.T	SN.N.ST.T	SN.N.ST.T
Classe d'émission de bruit et émissions acoustiques dans l'air (dB(A) re 1 pW)	B(35)	B(35)	B(35)



Modèle	HDPW5618CN*	HDPW5620CN*	HDPW5620AN*
Type d'appareil de réfrigération	Réfrigérateur-congélateur	Réfrigérateur-congélateur	Réfrigérateur-congélateur
Classe d'efficacité énergétique	C	C	A
Consommation annuelle d'énergie (kWh/an)	171	176	114
Volume du compartiment réfrigérateur (l)	201	255	255
Volume du compartiment congélateur (l)	117	117	120
Volume du compartiment fraîcheur (l)	34	34	34
Classe de congélation	4 étoiles	4 étoiles	4 étoiles
Type de dégivrage	Dégivrage automatique	Dégivrage automatique	Dégivrage automatique
Temps de montée en température (h)	13	13	16
Capacité de congélation (kg/24h)	10,0	10,0	10,0
Classe climatique	SN.N.ST.T	SN.N.ST.T	SN.N.ST.T
Classe d'émission de bruit et émissions acoustiques dans l'air (dB(A) re 1 pW)	B(35)	B(35)	B(35)

Données techniques supplémentaires

Modèle	HTW5618DN*	HTW5618EN*	HTW5620DN*
Volume total (l)	360	360	414
Tension/Fréquence	220-240 V ~/50 Hz	220-240 V ~/50 Hz	220-240 V ~/50 Hz
Courant d'entrée (A)	1,4	1,4	1,4
Fusible principal (A)	16	16	16
Réfrigérant	R600a(53g)	R600a(53g)	R600a(53g)
Dimensions (L/P/H en mm)	595*667*1 850	595*667*1 850	595*667*2 050

Modèle	HTW5618CN*	HTW5620CN*	HTW5620EN*
Volume total (l)	360	414	414
Tension/Fréquence	220~240V/50Hz	220~240V/50Hz	220~240V/50Hz
Courant d'entrée (A)	1,4	1,4	1,4
Fusible principal (A)	15	15	16
Réfrigérant	R600a(50g)	R600a(50g)	R600a(53g)
Dimensions (L/P/H en mm)	595*667*1850	595*667*2050	595*667*2050



Modèle	HDPW5618DN*	HDPW5620DN*	HDPW3620DN*
Volume total (l)	352	406	406
Tension/Fréquence	220~240V/50Hz	220~240V/50Hz	220~240V/50Hz
Courant d'entrée (A)	1.4	1.4	1.4
Fusible principal (A)	16	16	16
Réfrigérant	R600a(53g)	R600a(53g)	R600a(53g)
Dimensions (L/P/H en mm)	595*667*1850	595*667*2050	595*667*2050

Modèle	HDPW5618CN*	HDPW5620CN*	HDPW5620AN*
Volume total (l)	352	406	409
Tension/Fréquence	220-240 V ~/50 Hz	220-240 V ~/50 Hz	220-240 V ~/50 Hz
Courant d'entrée (A)	1,4	1,4	1,4
Fusible principal (A)	15	15	15
Réfrigérant	R600a(50 g)	R600a(50 g)	R600a(50 g)
Dimensions (L/P/H en mm)	595*667*1 850	595*667*2 050	595*667*2 050



Modèle	HDPW5618CN*	HDPW5620CN*	HDPW5620AN*
Volume total (l)	352	406	409
Tension/Fréquence	220~240V/50Hz	220~240V/50Hz	220~240V/50Hz
Courant d'entrée (A)	1.4	1.4	1.4
Fusible principal (A)	15	15	16
Réfrigérant	R600a(50g)	R600a(50g)	R600a(50g)
Dimensions (L/P/H en mm)	595*667*1850	595*667*2050	595*667*2050



Nous recommandons notre Service clientèle Haier et l'utilisation de pièces détachées d'origine.

Si vous rencontrez un problème avec votre appareil, veuillez d'abord consulter le paragraphe DÉPANNAGE.

Si vous ne trouvez pas de solution, veuillez contacter

- ▶ votre revendeur local ou
- ▶ notre centre de service d'appel européen (voir les numéros de téléphone ci-dessous) ou
- ▶ l'espace Service & Assistance à l'adresse www.haier.com où vous pouvez activer la demande
- ▶ de service et trouver également les FAQ.

Pour contacter notre Service, assurez-vous que vous disposez des données suivantes.

Les informations se trouvent sur la plaque signalétique.

Modèle _____

N° de série _____

Vérifiez également la carte de garantie fournie avec le produit en cas de garantie.

Centre de service d'appel européen		
Pays*	Numéro de téléphone	Coûts
Haier Italy (IT)	199 100 912	
Haier Spain (ES)	902 509 123	
Haier Germany (DE)	0180 5 39 39 99	<ul style="list-style-type: none"> • 14 centimes/min ligne fixe • max 42 centimes/min mobile
Haier Austria (AT)	0820 001 205	<ul style="list-style-type: none"> • 14,53 centimes/min ligne fixe • max 20 centimes/min pour tous les autres
Haier United Kingdom (UK)	0333 003 8122	
Haier France (FR)	0980 406 409	



* Pour d'autres pays, veuillez vous référer à www.haier.com

Haier Europe Trading S.r.l
Filiale Royaume-Uni
Westgate House, Westgate, Ealing
Londres, W5 1YY

*Durée de la garantie de l'appareil de réfrigération :

La garantie minimale est : 2 ans pour les pays de l'UE, 3 ans pour la Turquie, 1 an pour le Royaume-Uni, 1 an pour la Russie, 3 ans pour la Suède, 2 ans pour la Serbie, 5 ans pour la Norvège, 1 an pour le Maroc, 6 mois pour l'Algérie, aucune garantie légale pour la Tunisie.

*La période des pièces détachées pour la réparation de l'appareil :

Les thermostats, les capteurs de température, les circuits imprimés et les sources de lumière sont disponibles pendant une période minimale de sept ans après la mise sur le marché de la dernière unité du modèle.

Poignées de porte, charnières de porte, bacs et paniers pendant une période minimale de sept ans et joints de porte pendant une période minimale de 10 ans, après la mise sur le marché de la dernière unité du modèle.

*Pour plus d'informations sur le produit, consultez <https://eprel.ec.europa.eu/> ou scannez le code QR sur l'étiquette énergétique fournie avec l'appareil.



Haier

2023 version A



0060534356

<u>281 Biztonsági információk</u>	• Első használat előtt	282
	• Telepítés	282
	• Napi használat	283
<u>286 Rendeltetészerű használat</u>	•	
<u>287 Termékleírás</u>	•	
<u>291 Vezérlőpult</u>	•	
<u>292 Használat</u>	• Hűtőszekrény hőmérsékletének a beállítása	293
	• Fagyasztó hőmérsékletének a beállítása	293
	• My Zone hőmérsékletének a beállítása	293
	• Super Cool funkció	294
	• Super Freeze funkció	295
<u>300 Berendezés</u>	•	
<u>304 Energiatakarékosági tippek</u>	•	
<u>305 Ápolás és tisztítás</u>	•	
<u>308 Hibaelhárítás</u>	•	
<u>312 Telepítés</u>	•	
<u>316 Műszaki adatok</u>	• Részletes információk megtekintéséhez kattintson a	
<u>322 Ügyfélszolgálat</u>	• tartalomjegyzékre.	



Köszönjük, hogy Haier terméket vásárolt.

A készülék használata előtt olvassa el figyelmesen ezeket az utasításokat. Az utasítások fontos információkat tartalmaznak, amelyek segítenek abban, hogy a lehető legtöbbet hozza ki a készülékből, és szavatolják a biztonságos és megfelelő telepítést, használatot és karbantartást.

Tartsa ezt a kézikönyvet könnyen elérhető helyen, hogy bármikor fellapozhassa a készülék biztonságos és megfelelő használatához.

Ha eladja a készüléket, elajándékozza, vagy a lakásban hagyja költözéskor, győződjön meg arról, hogy ezt a kézikönyvet is átadja, hogy az új tulajdonos megismerhesse a készüléket és a biztonsági figyelmeztetéseket.

Tartozékok

Ellenőrizze a tartozékokat és a szakirodalmat ennek a listának megfelelően:

			
Tojástálca	Energiacímke	Jótállási jegy	Felhasználói kézikönyv
			
Jégkocka tartó tálca	Ajtózsanérok	Csuklópánt	Kupakbetét

**FIGYELMEZTETÉS - Fontos biztonsági információk****MEGJEGYZÉS - Általános információk és tippek****Környezetvédelmi információk****Ártalmatlanítás**

Járuljon hozzá a környezet és az emberi egészség védelméhez. Az újrahasznosítás érdekében a csomagolást a megfelelő hulladéktárolóba selejtezze ki. Járuljon hozzá az elektromos és elektronikus berendezések hulladékainak az újrahasznosításához. Ne a háztartási hulladékkal együtt dobja ki az ezzel a szimbólummal jelölt készülékeket. Vigye vissza a terméket a helyi újrahasznosító létesítménybe, vagy vegye fel a kapcsolatot a helyi hivatallal.

**FIGYELMEZTETÉS!**

Sérülés vagy fulladás veszélye!

A hűtőközegeket és a gázokat szakszerűen kell ártalmatlanítani. Győződjön meg a hűtőkör csövének a sértetlenségéről, mielőtt megfelelően ártalmatlanítaná. Válassza le a készüléket a hálózati tápellátásról. Vágja el a hálózati kábelt és selejtezze ki. Távolítsa el a tálcákat és fiókokat, valamint az ajtóreteszt és a tömítéseket, hogy megakadályozza a gyermekek és háziállatok bezáródását a készülékbe.



A készülék első bekapcsolása előtt olvassa el a következő biztonsági tanácsokat:



FIGYELMEZTETÉS!

Első használat előtt

- ▶ Győződjön meg arról, hogy szállítás során a termék nem sérült.
- ▶ Távolítsa el az összes csomagolóanyagot, és tartsa gyermekektől elzárva.
- ▶ A készülék telepítése előtt várjon legalább két órát a hűtőkör teljes hatékonyságának biztosítása érdekében.
- ▶ Mivel a készülék nehéz, mindig legalább két személy szükséges a kezeléséhez vagy mozgatásához.

Telepítés

- ▶ A készüléket jól szellőző helyre telepítse. Biztosítson legalább 10 cm-es helyet a készülék felett és körül.
- ▶ Soha ne helyezze a készüléket nedves területre vagy olyan helyre, ahol víz fröccsenhet rá. A vízfröccsenéseket és a foltokat törölje le és szárassa puha, tiszta törülközővel.
- ▶ Ne szerelje be a készüléket közvetlen napsugárzásnak kitett helyre vagy hőforrások (pl. kályhák, fűtőberendezések) közelébe.
- ▶ A méretének és felhasználásnak megfelelő helyre szerelje be és állítsa szintbe a készüléket.
- ▶ A berendezésen vagy a beépített szerkezetben a szellőzőnyílásokat ne takarja el.
- ▶ Bizonyosodjon meg arról, hogy az adattáblán olvasható elektromos jellemzők megfelelnek az elérhető tápellátás jellemzőinek. Ellenkező esetben forduljon villanyszerelőhöz.
- ▶ A készülék 220–240 V váltóáramú, 50 Hz-es tápellátást igényel. A rendellenes feszültségingadozás nyomán előfordulhat, hogy a készülék nem indul be, károsodhat a hőmérséklet-vezérlő vagy a kompresszor, illetve működés során rendellenes zaj jelentkezhethet. Hasonló esetben szereljen fel automatikus feszültségszabályozót.
- ▶ Ne használjon több dugós adaptereket és hosszabbítókábeleket.
- ▶ Ne helyezzen több hordozható csatlakozót vagy hordozható tápegységet a berendezés mögé.
- ▶ Ügyeljen arra, hogy a tápkábel ne szoruljon a hűtőszekrény alá. Ne lépjen a tápkábelre.



FIGYELMEZTETÉS!

- ▶ A tápegységhez külön földelt aljzatot használjon, amely könnyen hozzáférhető. A készülék mindenképpen földelésre szorul.
Csak az Egyesült Királyság esetén: A készülék tápkábele 3 érintkezős (földeléses) dugással rendelkezik, amelyik szabványos 3 érintkezős (földeléses) aljzathoz illeszkedik. Soha ne vágja le vagy távolítsa el a harmadik érintkezőt (földelést). A készülék beszerelését követően a dugasznak hozzáférhetőnek kell maradnia.
- ▶ Ne okozza a hűtőközeg kör sérülését.

Napi használat

- ▶ A berendezést 8 évnél idősebb gyermekek vagy csökkent fizikai, érzékszervi vagy mentális képességű, vagy tapasztalattal és ismerettel nem rendelkező személyek akkor használhatják, ha felügyelet alatt állnak vagy ha megfelelő utasításokkal látták el őket a berendezés biztonságos használatát illetően, és megértették a használatból eredő veszélyeket.
- ▶ A 3 és 8 év közötti gyermekek be- és kirakodhatják a hűtőkészülékeket, de a hűtőkészülékek tisztítását és szerelését nem végezhetik.
- ▶ Tartsa távol a 3 évesnél fiatalabb gyermekeket a készüléktől, kivéve, ha biztosítja a folyamatos felügyeletet.
- ▶ Gyermekek nem játszhatnak a berendezéssel.
- ▶ Ha hűtőgáz vagy más gyúlékony gáz szivárog a készülék közelében, zárja el a szivárgó gáz szelepét, nyissa ki az ajtókat és ablakokat, és ne húzza ki a hűtőszekrény/fagyasztó vagy más készülék tápkábelének a dugaszát.
- ▶ Vegye figyelembe, hogy a készülék 10 és 43 °C közötti környezeti hőmérsékletben való működésre készült. Előfordulhat, hogy a készülék nem működik megfelelően, ha hosszabb ideig a jelzett tartomány feletti vagy alatti hőmérsékleten üzemel.
- ▶ Ne helyezzen instabil cikkeket (nehéz tárgyakat, vízzel teli edényeket) a hűtőberendezés tetejére, elkerülve így a személyi sérüléseket, amiket ezen tárgyak leesése vagy a vízzel való érintkezés nyomán bekövetkező áramütés okozhat.
- ▶ Ne húzza meg az ajtópolcokat. Az ajtó elferdülhet, kihúzhatja a helyéről a palacktartót, vagy a készülék felborulhat.
- ▶ Az ajtók nyitását vagy becsukását kizárólag a fogantyúkkal végezze. Az ajtók közötti, ill. az ajtó és a szekrény közötti rés nagyon szűk. Ne nyújtsa a kezét ezekre a területekre, mivel az ujjai becsípődhetnek. Csak akkor nyissa ki vagy csukja be a hűtőszekrény ajtaját, ha nem állnak gyermekek az ajtó mozgási tartományán belül.



FIGYELMEZTETÉS!

- ▶ Ne tároljon, ill. használjon gyúlékony, robbanásveszélyes vagy maró hatású anyagokat a készülékben vagy a közelében.
- ▶ A készülékben ne tároljon gyógyszereket, baktériumokat vagy vegyszereket. Ez a készülék háztartási készülék. Nem javasoljuk olyan anyagok tárolását, amelyek szűk hőmérséklet-tartományban tárolhatók.
- ▶ Soha ne tároljon folyadékokat palackokban vagy kannákban (magas alkoholtartalmú italok kivételével), különösen szénsavas italokat a fagyasztóban, mert ezek szétrobbannak fagyasztás közben.
- ▶ Ellenőrizze az élelmiszer állapotát, ha a fagyasztóban felmelegedett a hőmérséklet.
- ▶ Ne állítson be szükségtelenül alacsony hőmérsékletet a hűtőrekeszben. Magas teljesítménybeállítások esetén mínusz fokok alakulhatnak ki. Figyelem: A palackok szétrobbanhatnak
- ▶ Ne nyúljon fagyott tárgyakhoz nedves kézzel (viseljen kesztyűt). Különösen ne egyen jeges nyalókát közvetlenül a fagyasztóból való kivétel után. Fennáll a fagysérülések vagy a hólyagok kialakulásának veszélye. **ELSŐSEGÉLYNYÚJTÁS:** tartsa a sérülést azonnal folyó hideg víz alá. Ne húzza el!
- ▶ Működés közben ne érintse meg a fagyasztórekesz belső felületét, különösen nedves kézzel, mert a keze a felülethez fagyhat.
- ▶ Áramszünet esetén vagy tisztítás előtt húzza ki a készüléket az alzatból. A készülék újraindítása előtt várjon legalább 7 percet, mivel a készülék gyakori indítása során károsodhat a kompresszor.
- ▶ Ne használjon elektromos készülékeket a berendezés élelmiszer tároló rekeszében, kivéve a gyártó által jóváhagyott típust. Karbantartás / tisztítás
- ▶ Gondoskodjon a gyermekek felügyeletéről, ha tisztítást vagy karbantartást végeznek.
- ▶ A rutinszerű karbantartás megkezdése előtt húzza ki a készüléket a villanyhálózatból. A készülék újraindítása előtt várjon legalább 5 percet, mivel a készülék gyakori indítása során károsodhat a kompresszor.



FIGYELMEZTETÉS!

- ▶ A készülék aljzatból való leválasztásakor ne a kábelt, hanem a csatlakozódugót húzza.
- ▶ Ne tisztítsa a készüléket keménysörtés kefékkel, drótkefékkel, mosóporral, benzinnel, amil-acetáttal, acetonnal és hasonló szerves oldatokkal, valamint savas vagy lúgos oldatokkal. A károsodások elkerülése érdekében a hűtőszekrény tisztítását speciális, adott célra kialakított tisztítószerrel végezze.
- ▶ Ne kaparja le a fagyot és a jeget éles tárgyakkal. A műanyag alkatrészek károsodásának elkerülése érdekében ne használjon spray-t, elektromos hevítő berendezést, például fűtőberendezést, hajszárítót, gőztisztítót vagy más hőforrást.
- ▶ A kiolvasztási folyamat felgyorsításához csak a gyártó által javasolt mechanikai berendezéseket vagy egyéb eszközöket használja.
- ▶ Ha a tápkábel megsérül, a veszély elkerülése érdekében cseréltesse ki a gyártóval, a gyártó szervizközpontjával vagy más szakemberrel.
- ▶ Ne tegyen kísérletet a készülék saját kezű javítására, szétszerelésére vagy módosítására. Javítás szükségessége esetén vegye fel a kapcsolatot az ügyfélszolgálatunkkal.
- ▶ Évente legalább egyszer távolítsa el a port a készülék hátoldaláról, így elkerülve a tűzveszélyt, valamint a megnövekedett energiafogyasztást.
- ▶ Tisztítás közben ne permetezze vagy öblítse le a készüléket.
- ▶ Ne használjon vízpermetet vagy gőzt a készülék tisztításához.
- ▶ A hideg üvegpolicokat ne tisztítsa forró vízzel. A hirtelen hőmérséklet-változás nyomán az üveg megrepedhet.

Gázalapú hűtőközegre vonatkozó információk



FIGYELMEZTETÉS!

A készülék gyúlékony IZOBUTÁN (R600a) hűtőközeget tartalmaz. Győződjön meg arról, hogy a hűtőközeg köre nem sérült meg szállítás vagy beszerelés közben. A szivárgó hűtőközeg szem sérülést okozhat, vagy belobbanhat. Sérülés esetén tartsa távol a tűzforrásokat, szellőztesse ki alaposan a helyiséget, ne csatlakoztassa, vagy húzza ki a készülék vagy egyéb készülék tápkábelét. Tájékoztassa az ügyfélszolgálatot.

Ha a hűtőközeg szembe kerül, akkor azonnal öblítse ki folyó víz alatt, és azonnal forduljon szemész szakorvoshoz.



Rendeltetésszerű használat

Ez a készülék élelmiszerek hűtésére és fagyasztására szolgál. Kizárólag háztartási és hasonló alkalmazásokra tervezték, mint például az üzletek, irodák és egyéb munkakörnyezetek személyzeti konyháinak területei; tanyasi házakban és szállodák, motelek és egyéb lakókörnyezetben, valamint panziós és vendéglátóipari vállalkozásokban való használatra ügyfelek számára. Tervezéséből adódóan nem alkalmas kereskedelmi vagy ipari használatra. A készüléken változtatások vagy módosítások végrehajtása nem megengedett. A nem rendeltetésszerű használat veszélyeket eredményezhet, illetve a szavatossági igények érvénytelenítésével járhat.

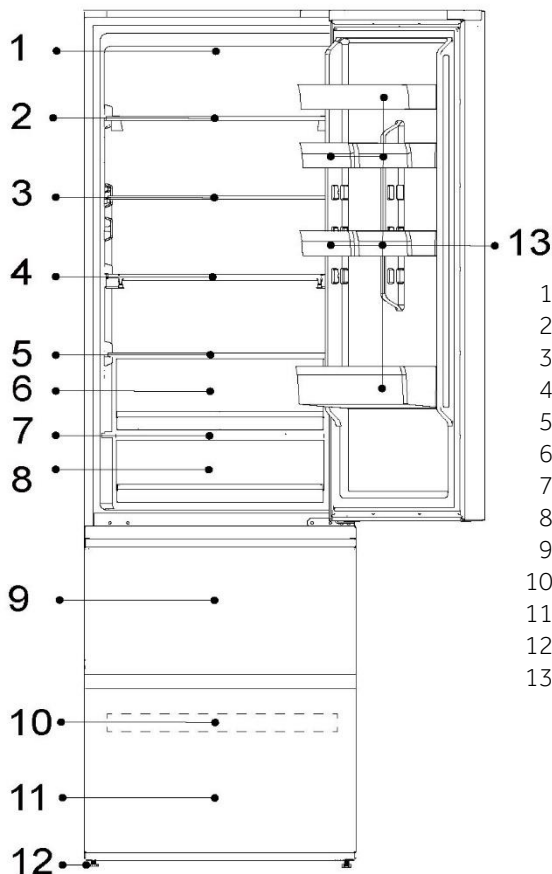
Szabványok és irányelvek **CE**

A termék megfelel az összes vonatkozó EK irányelvben meghatározott követelménynek, illetve a vonatkozó harmonizált szabványoknak, amelyek alapján megilleti a CE-jelölés.

i MEGJEGYZÉS

A műszaki módosítások és különböző modellek miatt előfordulhat, hogy a kézikönyvben látható egyes ábrák eltérőek a modelljéhez képest.

(HTW5620EN*, HTW5620DN*, HTW5620CN*)

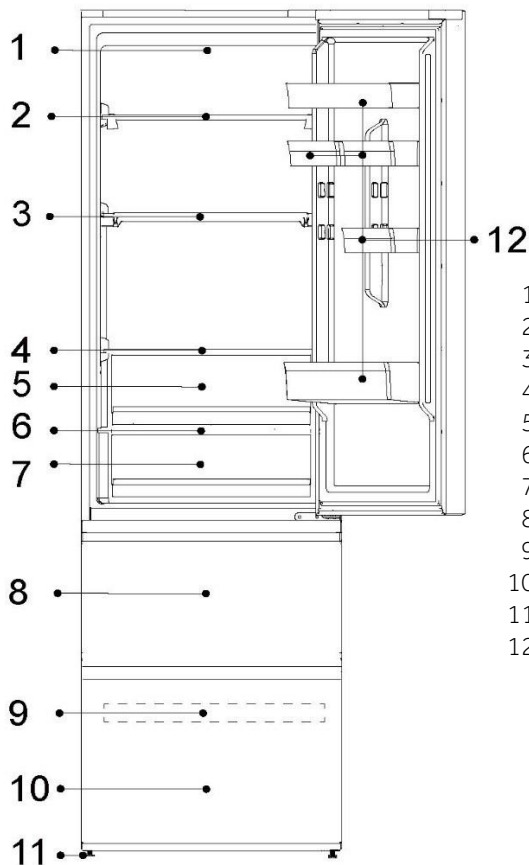


- 1-Hűtőszekrény LED lámpa
- 2-Bortartó
- 3-Üvegpole
- 4-Összehajtható pole
- 5-Humidity Zone fiók burkolat
- 6-Humidity Zone fiók
- 7-My Zone fiók burkolat
- 8-My Zone fiók
- 9-Felső fagyasztó tárolófiók
- 10-Fagyasztó tálca
- 11-Alsó fagyasztó tárolófiók
- 12-Állítható láb
- 13-Ajtó erkélyrekesze

i MEGJEGYZÉS

A műszaki módosítások és különböző modellek miatt előfordulhat, hogy a kézikönyvben látható egyes ábrák eltérőek a modelljéhez képest.

(HTW5618DN*, HTW5618CN*, HTW5618EN*)

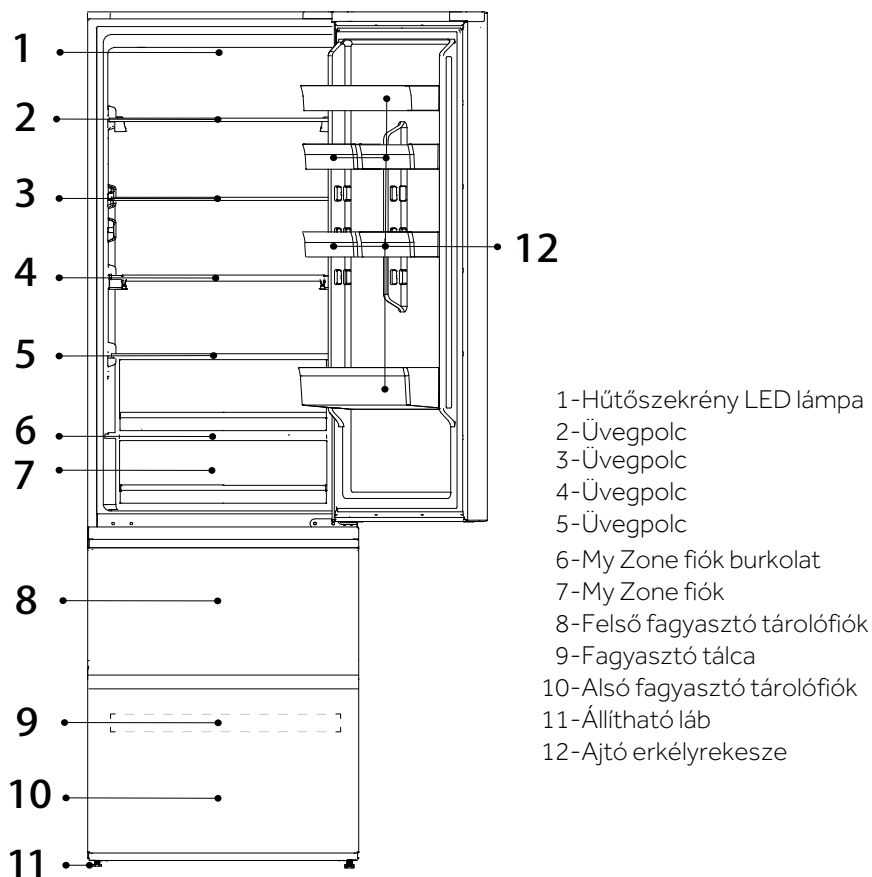


- 1-Hűtőszekrény LED lámpa
- 2-Bortartó
- 3-Összehajtható polc
- 4-Humidity Zone fiók burkolat
- 5-Humidity Zone fiók
- 6-My Zone fiók burkolat
- 7-My Zone fiók
- 8-Felső fagyasztó tárolófiók
- 9-Fagyasztó tálca
- 10-Alsó fagyasztó tárolófiók
- 11-Állítható láb
- 12-Ajtó erkélyrekesze

i MEGJEGYZÉS

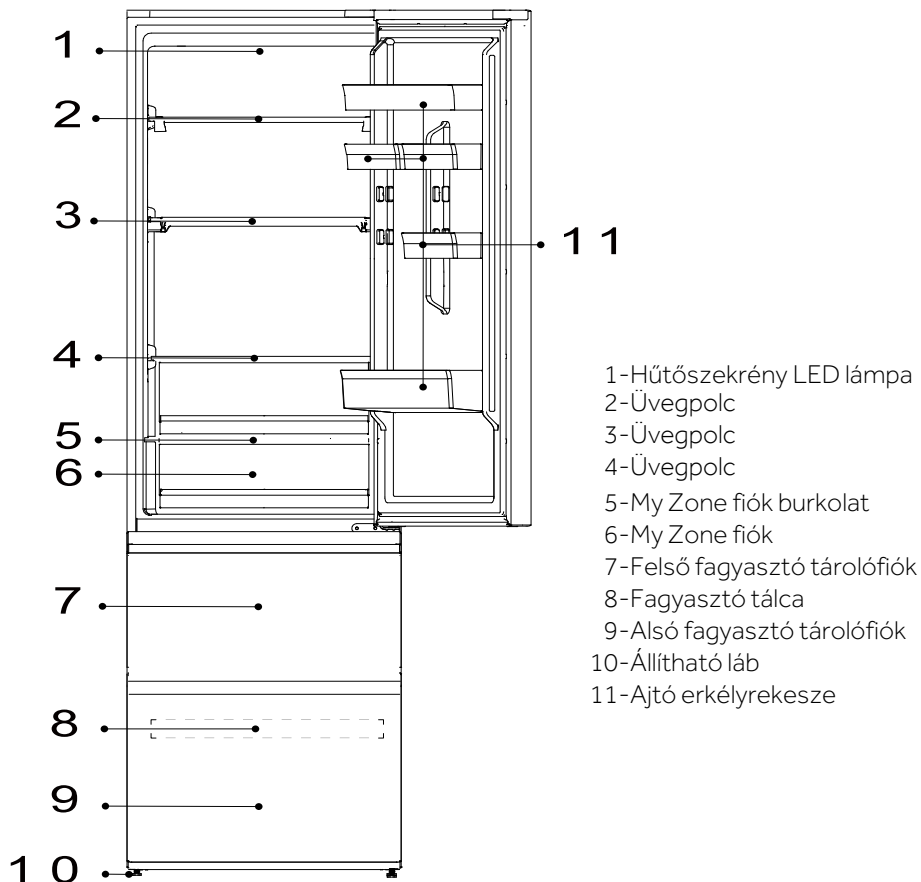
A műszaki módosítások és különböző modellek miatt előfordulhat, hogy a kézikönyvben látható egyes ábrák eltérőek a modelljéhez képest.

(HTW3620EN*, HTW3620DN*, HTW3620CN*)



i MEGJEGYZÉS

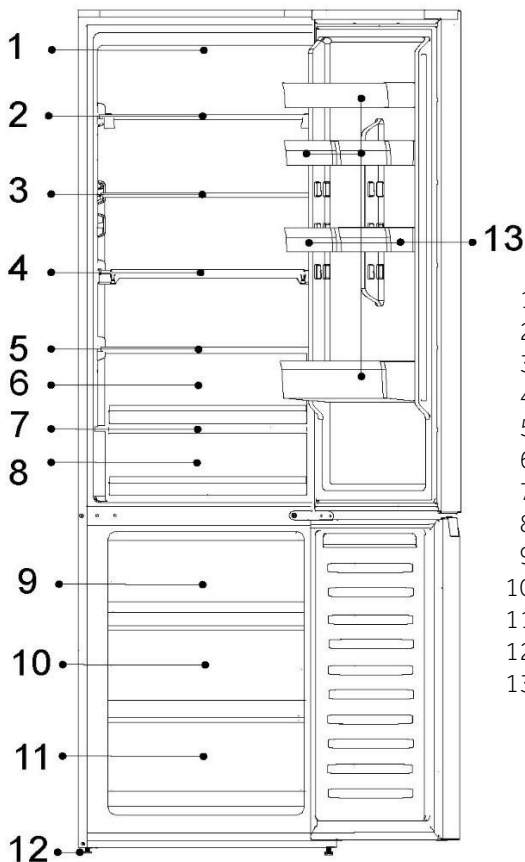
A műszaki módosítások és különböző modellek miatt előfordulhat, hogy a kézikönyvben látható egyes ábrák eltérőek a modelljéhez képest.
(HTW3618EN*, HTW3618DN*, HTW3618CN*)



i MEGJEGYZÉS

A műszaki módosítások és különböző modellek miatt előfordulhat, hogy a kézikönyvben látható egyes ábrák eltérőek a modelljéhez képest.

(HDPW5620DN*, HDPW5620CN*, HDPW5620BN*, HDPW5620AN*)

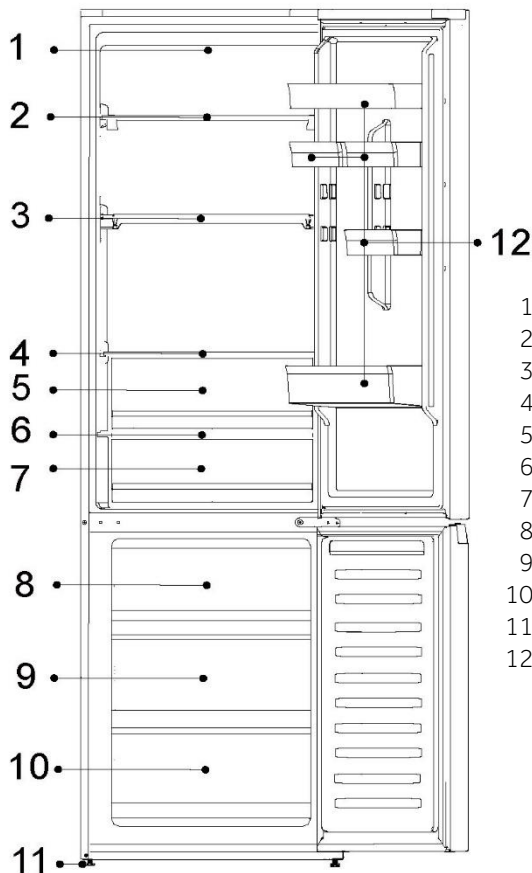


- 1-Hűtőszekrény LED lámpa
- 2-Bortartó
- 3-Üvegpolc
- 4-Összehajtható polc
- 5-Humidity Zone fiók burkolat
- 6-Humidity Zone fiók
- 7-My Zone fiók burkolat
- 8-My Zone fiók
- 9-Felső fagyasztó tárolófiók
- 10-Középső fagyasztó tárolófiók
- 11-Alsó fagyasztó tárolófiók
- 12-Állítható láb
- 13-Ajtó erkélyrekesze

i MEGJEGYZÉS

A műszaki módosítások és különböző modellek miatt előfordulhat, hogy a kézikönyvben látható egyes ábrák eltérőek a modelljéhez képest.

(HDPW5618DN*, HDPW5618CN*)

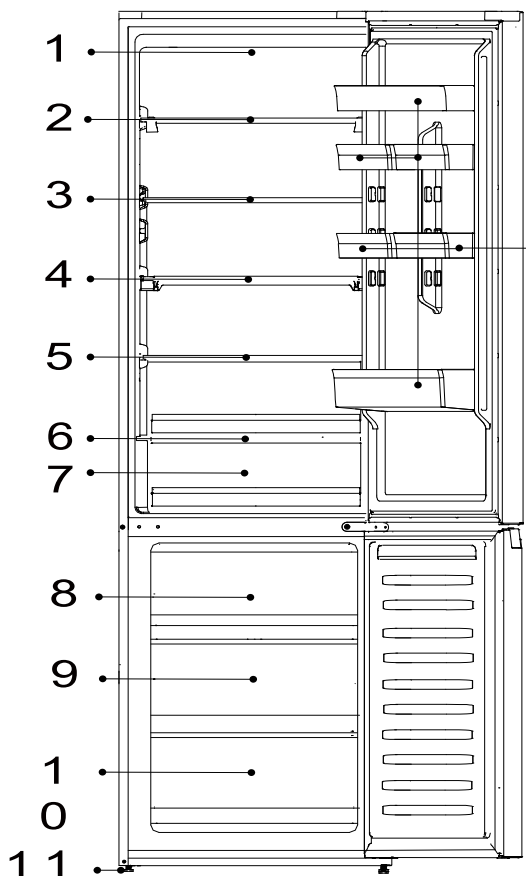


- 1-Hűtőszekrény LED lámpa
- 2-Bortartó
- 3-Összehajtható polc
- 4-Humidity Zone fiók burkolat
- 5-Humidity Zone fiók
- 6-My Zone fiók burkolat
- 7-My Zone fiók
- 8-Felső fagyasztó tárolófiók
- 9-Középső fagyasztó tárolófiók
- 10-Alsó fagyasztó tárolófiók
- 11-Állítható láb
- 12-Ajtó erkélyrekesze



i MEGJEGYZÉS

A műszaki módosítások és különböző modellek miatt előfordulhat, hogy a kézikönyvben látható egyes ábrák eltérőek a modelljéhez képest.
(HDPW3620DN*, HDPW3620CN*)

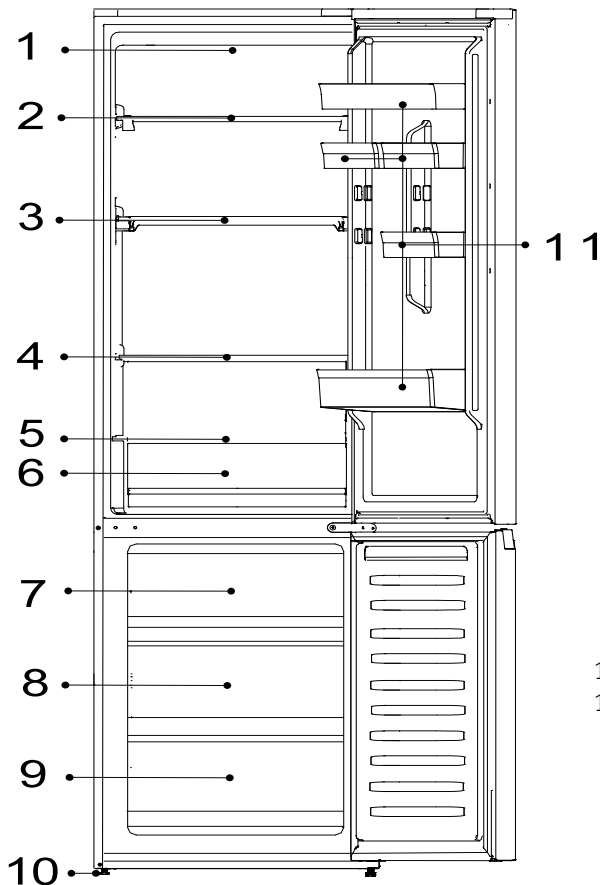


1 2

- 1-Hűtőszekrény LED lámpa
- 2-Üvegpolc
- 3-Üvegpolc
- 4-Üvegpolc
- 5-Üvegpolc
- 6-My Zone fiók burkolat
- 7-My Zone fiók
- 8-Felső fagyasztó tárolófiók
- 9-Fagyasztó tálca
- 10-Alsó fagyasztó tárolófiók
- 11-Állítható láb
- 12-Ajtó erkélyrekesze

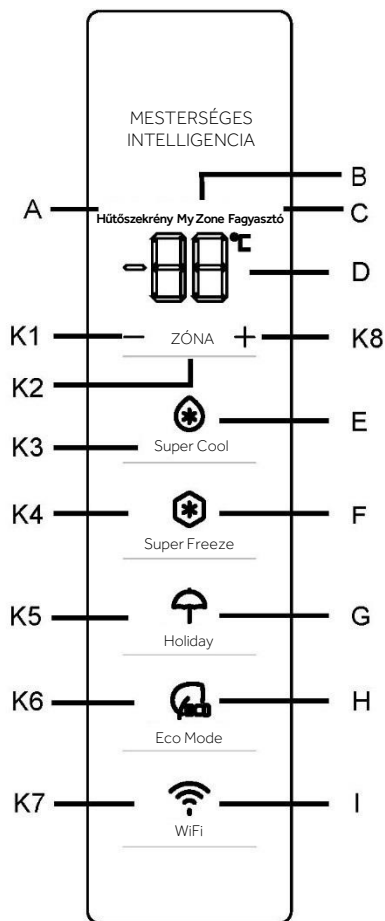
i MEGJEGYZÉS

A műszaki módosítások és különböző modellek miatt előfordulhat, hogy a kézikönyvben látható egyes ábrák eltérőek a modelljéhez képest.
(HDPW3618DN*, HDPW3618CN*)



- 1-Hűtőszekrény LED lámpa
- 2-Üvegpolc
- 3-Üvegpolc
- 4-Üvegpolc
- 5-My Zone fiók burkolat
- 6-My Zone fiók
- 7-Felső fagyasztó tárolófiók
- 8-Fagyasztó tálca
- 9-Alsó fagyasztó tárolófiók
- 10-Állítható láb
- 11-Ajtó erkélyrekesze

Vezérlőpult



Jelzések:

- A Hűtőtér
- B Hűtőrekesz (My Zone)
- C Fagyasztó rekesz
- D Hőmérséklet kijelző
- E Super Cool funkció
- F Super Freeze funkció
- G Holiday funkció
- H Eco Mode funkció
- I Wi-Fi funkció

Gombok:

- K1 Hőmérséklet csökkentése
- K2 Hűtő, My Zone és fagyasztó kiválasztása
- K3 Super Cool funkció be/ki
- K4 Super Freeze funkció be/ki
- K5 Holiday funkció be/ki
- K6 Eco Mode funkció be/ki
- K7 Wi-Fi funkció be/ki
- K8 Hőmérséklet növelése

Első használat előtt

Távolítson el az összes csomagolóanyagot, tartsa azokat gyermekektől elzárva, kiselejtezésükről pedig környezetbarát módon gondoskodjon.

Tisztítsa meg a készülék belsejét és külsejét, valamint a készülék belsejét és tartozékait vízzel és enyhe tisztítószerrel, és törölje alaposan szárazra puha törülköendővel.

A készülék szintbeállítását és tisztítását követően, kérjük, várjon legalább 2 órát, mielőtt csatlakoztatná a tápellátáshoz. Lásd a TELEPÍTÉS részt.

Az étellel való feltöltés előtt hűtse le a rekeszeket magas beállítások alkalmazásával. A Super Freeze funkció elősegíti a fagyasztórekesz gyors lehűtését

Érintésérzékeny gombok

A vezérlőpulton található gombok érintésérzékenyek, és már akkor reagálnak, ha enyhén megérinti az ujjával.

A készülék be- és kikapcsolása

A készülék működésbe lép, amint csatlakoztatja tápellátáshoz.

A készülék első bekapcsolásakor a „D” hőmérséklet jelzők mutatják az előre beállított értékeket (lásd az alábbi megjegyzést).

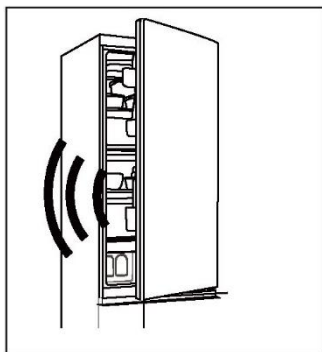
MEGJEGYZÉS

A készülék alapbeállítása gyárilag az ajánlott 5 °C (hűtőszekrény) és -18 °C (fagyasztó) hőmérséklet. A My Zone hőmérséklete kb. 2°C-ra van beállítva. Ezek a javasolt beállítások. Ha kívánja, ezeket a hőmérsékleteket módosíthatja manuálisan.

Nyitott ajtó riasztás

Amikor a hűtőszekrény ajtaja 3 percnél hosszabb ideig nyitva van, megszólal az ajtónyitási riasztás.

A riasztó elnémítható az ajtó bezárásával. Ha az ajtó 7 percnél hosszabb ideig nyitva marad, a hűtőszekrényben a fény és a kezelőpanel megvilágítása automatikusan kikapcsol.



Hőmérséklet beállítása

A beltéri hőmérsékletet a következő tényezők befolyásolják:

- ▶ Környezeti hőmérséklet
- ▶ Az ajtónyitás gyakorisága
- ▶ A tárolt élelmiszerek mennyisége
- ▶ A berendezés beszerelése



Hűtőszekrény hőmérsékletének a beállítása

1. Nyomja meg a „K2” gombot (hűtő / (My Zone) / fagyasztó kiválasztása) a hűtőrekesz kiválasztásához. Az „A” ikon (hűtőrekesz) és a „D” ikon (hőmérséklet kijelző) világít.

2. A hűtő hőmérsékletének a beállításához nyomja meg a „K1/K8” gombot.

A hőmérséklet 1 °C-os lépésekben növekszik 2 °C-os minimumról 8 °C-os maximumig. A hűtőszekrényben az optimális hőmérséklet 5 °C. Alacsonyabb hőmérsékletek szükségtelen energiafogyasztást eredményeznek.

3. Körülbelül 5 másodperc elteltével a „D” (Hőmérséklet kijelző) hőmérséklet ikon folyamatosan világít, és a beállítás megerősítést nyer.

Fagyasztó hőmérsékletének a beállítása

1. Nyomja meg a „K2” gombot (hűtő / (My Zone) / fagyasztó kiválasztása) a fagyasztó rekesz kiválasztásához. A „C” ikon (fagyasztó rekesz) és a „D” ikon (hőmérséklet kijelző) világít.

2. A fagyasztó hőmérsékletének a beállításához nyomja meg a „K1/K8” gombot.

A hőmérséklet 1 °C-os lépésekben növekszik -24 °C-os minimumról -16 °C-os maximumig. A fagyasztóban az optimális hőmérséklet 18 °C. A hidegebb hőmérséklet szükségtelen energiafogyasztást jelent.

3. Körülbelül 5 másodperc elteltével a „D” (Hőmérséklet kijelző) hőmérséklet jelzőfény folyamatosan világít, és a beállítás megerősítést nyer.

My Zone hőmérsékletének a beállítása

A hűtőrekesz My Zone fiókkal rendelkezik. Az élelmiszertárolási igényeknek megfelelően kiválaszthatja a legmegfelelőbb hőmérsékletet az élelmiszerek optimális tápértékének a szavatolásához.

1. Nyomja meg a „K2” gombot (hűtő / (My Zone) / fagyasztó kiválasztása) a My Zone kiválasztásához. A „B” ikon (My Zone rekesz) és a „D” ikon (hőmérséklet kijelző) világít.

2. A My Zone hőmérsékletének a beállításához nyomja meg a „K1/K8” gombot.

A hőmérséklet 1 °C-os lépésekben növekszik 0 °C-os minimumról 5 °C-os maximumig.

3. Körülbelül 5 másodperc elteltével a „D” (Hőmérséklet kijelző) hőmérséklet ikon folyamatosan világít, és a beállítás megerősítést nyer.



i MEGJEGYZÉS

1. A My Zone rekesz hőmérsékletét beállíthatja a középső szinten (2 °C), hogy az ételeket optimális tárolási környezetben őrizze meg.
2. A húсок különböző víztartalma miatt néhány nagyobb nedvességtartalmú hús 0 °C-nál alacsonyabb hőmérsékleten fagyasztnak le. Így az „azonnal szeletelt” húst a My Zone fiókban kell tárolni, min. 0 °C hőmérsékleten.
3. A hidegre érzékeny gyümölcsök, így például az ananász, az avokádó, a banán, a grapefruit és a zöldségek, mint például a burgonya, padlizsán, bab, uborka, cukkini, paradicsom és sajt nem tárolható a My Zone fiókban
4. Ha a hűtőszekrény hőmérséklete alacsonyabb, mint a My Zone hőmérséklete, akkor természetes, hogy a My Zone hőmérséklete alacsonyabb, mint a My Zone beállítási hőmérséklete.

i MEGJEGYZÉS

A hőmérséklet beállítása után, ha 5 másodpercen belül megnyom valamilyen egyéb gombot, az aktuális hőmérséklet beállítás azonnal megerősítést nyer. Ha 5 másodpercen belül semmilyen gombművelet nem történik, az aktuális beállított hőmérséklet jelenik meg, amíg a képernyő ki nem kapcsol.

i MEGJEGYZÉS

Az alkalmazásból beállíthat egyéni hőmérsékletet úgy a hűtőszekrényben, mint a fagyasztóban és a My Zone rekeszben. A hőmérséklet beállítása 1 °C-os pontossággal lehetséges.

Super Cool funkció

1. Javasoljuk, hogy kapcsolja be a Super Cool funkciót, ha nagy mennyiségű élelmiszert kíván eltárolni (például vásárlás után). A Super Cool funkció felgyorsítja a friss élelmiszerek lehűlését, és megvédi a már lehűtött árukat a nemkívánatos felmelegedéstől.
2. Nyomja meg a „K3” gombot, vagy kapcsolja be az alkalmazásból, az „E” ikon (Super Cool funkció) világít, és ekkor a funkció bekapcsol.



i MEGJEGYZÉS

1. A készülék kikapcsolja a „Super Cool funkciót” 6 órával a „Super Cool funkció” bekapcsolása után, vagy amikor megnyomja a „K3” gombot, amikor az „E” (Super Cool funkció) ikon világít, vagy amikor kikapcsolja a funkciót az alkalmazásból.
2. Super Cool állapotban, amikor a hűtőtér hőmérsékletét kívánja állítani, az „E” ikon (Super Cool funkció) villog, jelezve, hogy ez a művelet nem hajtható végre.

Super Freeze funkció

1. A friss élelmiszereket a lehető leggyorsabban fagyassza le teljes mértékben. Így a lehető legjobban megőrizheti a tápértéküket, megjelenésüket és ízüket. A Super Freeze funkció felgyorsítja a friss élelmiszerek hűtését, és megvédi a már tárolt árukat a nemkívánatos felmelegedéstől. Ha egyszerre nagy mennyiségű ételt kell lefagyasztania, ajánlott a Super Freeze funkciót 24 órával azelőtt bekapcsolni, hogy betenné az élelmiszert a fagyasztórekeszbe.
2. Nyomja meg a „K4” gombot (Super Freeze funkcióbeállítás), vagy kapcsolja be az alkalmazásból, ekkor az „F” ikon (Super Freeze funkció) világít, és ekkor a funkció bekapcsol.

i MEGJEGYZÉS

1. A készülék kikapcsolja a „Super Freeze funkciót” 50 órával a „Super Freeze funkció” bekapcsolása után, vagy amikor megnyomja a „K4” gombot, amikor az „F” (Super Freeze funkció) ikon világít, vagy amikor kikapcsolja a funkciót az alkalmazásból.
2. Super Freeze állapotban, amikor a fagyasztórekesz hőmérsékletét kívánja állítani, az „F” ikon (Super Freeze funkció) villog, jelezve, hogy ez a művelet nem végezhető el.

Holiday funkció

A Holiday funkció a készülék energiafogyasztásának csökkentésére szolgál, amikor a készüléket nem használják a megszokott módon. Amikor a funkció be van kapcsolva, a hűtőszekrény kikapcsol, viszont a fagyasztó továbbra is normálisan működik. A funkció a hűtőszekrény hőmérsékletét tartósan 17 °C-ra állítja.

Ez lehetővé teszi, hogy az üres hűtőszekrény ajtaja zárva maradjon anélkül, hogy szag vagy penész alakulna ki hosszú távollét (pl. nyaralás) alatt. A fagyasztórekesz hőmérséklete szabadon beállítható.

1. Nyomja meg a „K5” gombot (Holiday funkció be/ki), vagy válassza ki a funkciót az alkalmazásból, a „G” ikon (Holiday funkció) világít, és ekkor a funkció bekapcsol.



2. A funkció kikapcsolható a „K5” (Holiday funkció be/ki) gomb ismételt megnyomásával, vagy a hűtő hőmérsékletének a beállításával, vagy bármely más beállítás végrehajtásával, illetve az alkalmazásból való kikapcsolásával.

MEGJEGYZÉS

1. Bekapcsolt Holiday funkció mellett ne tároljon ételt a hűtőrekeszben. A 17 °C-os hőmérséklet túl magas élelmiszerek tárolásához.
2. Bekapcsolt Holiday funkció mellett a My Zone ikon nem világít, és a készülék zárolja a hűtőszekrény funkciót. Amikor a hűtőrekesz hőmérsékletét állítja, az „G” ikon (Holiday funkció) villog, jelezve, hogy ez a művelet nem hajtható végre.

Eco Mode funkció

Az Eco Mode aktiválásával optimalizálhatja a készülék teljesítményét, miközben a készülék optimális körülményeket biztosít az élelmiszer tárolásához. Ha nincsenek különleges követelményei, javasoljuk, hogy használja az Eco Mode funkciót.

Ebben az üzemmódban a hűtő hőmérséklete 5 °C, a fagyasztó hőmérséklete pedig -18 °C.

1. Nyomja meg a „K6” gombot (Eco Mode funkció be/ki), vagy válassza ki a funkciót az alkalmazásból.
2. A „H” ikon (Eco Mode funkció) világít, és a funkció be van kapcsolva. A funkció ismét kikapcsolható a fenti lépések megismétlésével, egy másik funkció kiválasztásával, vagy az alkalmazásból való kikapcsolással. A készülék visszaállítja a korábban beállított hűtési szinteket.

MEGJEGYZÉS

Eco Mode funkció mellett, amikor a hűtő-/fagyasztórekesz hőmérsékletét kívánja állítani, a „H” ikon (Eco Mode funkció) villog, ez jelzi, hogy ez a művelet nem hajtható végre.

1. lépés Töltse le a hOn-App alkalmazást a megfelelő áruházak egyikéből.



The image shows a banner for downloading the hOn-App. On the left is a QR code. In the center are three buttons: 'GET IT ON Google Play', 'Download on the App Store', and 'EXPLORE IT ON AppGallery'. Below the banner, the page is split into two columns. The left column is titled '2. lépés' and contains the text 'Hozza létre fiókját a hOn-App alkalmazásban, vagy jelentkezzen be, ha már van fiókja.' Below this text is a screenshot of the hOn-App login screen, showing a 'Welcome!' message and a 'Bejelentkezés' (Login) button. The right column is titled '3. lépés' and contains the text 'Kövesse a hOn-App alkalmazás párosításra vonatkozó utasításait.' Below this text is an illustration of a smartphone with the hOn-App icon on the screen and a large eye icon pointing towards it, symbolizing following instructions.

Wi-Fi funkció

1. A Wi-Fi funkció konfigurálásához kövesse az alkalmazás utasításait.
2. A Wi-Fi konfigurálása és a kapcsolat létrehozása után az „I” Wi-Fi ikon bekapcsol és folyamatosan világít.
3. Ha a Wi-Fi funkciót már konfigurálta, ez automatikusan újracsatlakozik a konfigurációs adatoknak megfelelően, amikor bekapcsolja a Wi-Fi funkciót.

MEGJEGYZÉS

1. A Wi-Fi kikapcsolásához nyomja meg a „K7” Wi-Fi gombot, és az „I” Wi-Fi ikon kikapcsol.
2. A Wi-Fi bekapcsolásához és a konfigurálás megkezdéséhez nyomja meg a „K7” Wi-Fi gombot, és az „I” Wi-Fi ikon lassú villogásba kezd. Ha konfigurálni szeretné a Wi-Fi funkciót, nyomja meg a „K7” gombot 3 másodpercig, a Wi-Fi ikon gyorsan villog, és megnyílik a konfigurációs üzemmód. A Wi-Fi funkció kikapcsolásához nyomja meg egyszer a „K7” gombot. A fenti lépéseket meg kell ismételni.
3. Ha a készülék konfigurálása megtörtént, és a Wi-Fi funkció ki van kapcsolva, a hűtőszekrény nem lép konfigurációs üzemmódba a tápellátás visszakapcsolása után.

MEGJEGYZÉS

1. Ez a termék nem kereskedelmi használatra készült.
2. A maximális RF kimeneti teljesítmény: 2,4 GHz Wi-Fi: 16 dBm;
3. Bluetooth® Low Energy: 5 dBm; Bluetooth®(BR/EDR): 10 dBm.
4. Üzemi frekvenciasáv: 2400-2483,5 MHz.



A Bluetooth® márka és logó a Bluetooth SIG, Inc. bejegyzett védjegyei, és ezeket a Candy Hoover Group SRL licenc alapján használja. A többi védjegy és kereskedelmi név a megfelelő tulajdonosaikhoz tartozik.

Tárolás a hűtőrekeszben

- A hűtőszekrényben a hőmérsékletet tartsa 5 °C alatt.
- A forró élelmiszert a készülékbe helyezés előtt mindenképpen hűtse le szobahőmérsékletre.
- A hűtőberendezésben tárolt élelmiszereket előzetesen mossa meg és szárítsa meg.
- A tárolni kívánt élelmiszert helyezze megfelelően zárható edénybe, hogy elkerülje az illatok és ízek módosulását.
- Ne tároljon túlságosan sok élelmiszert a készülékben. Hagyjon területet az élelmiszerek között, hogy a hideg levegő keringhessen mellettük, így jobb hatásfokú és homogénebb lesz a hűtés.
- A napi rendszerességgel fogyasztott élelmiszereket a polc elején tárolja.
- A légáramlás lehetővé tétele érdekében hagyjon némi teret az élelmiszerek és a belső falak között. Semmiképpen ne tároljon élelmiszereket úgy, hogy azok a hátsó fallal érintkezzenek, mivel az élelmiszer megfagyhat. Kerülje az élelmiszer (különösen az olajos vagy savas ételek) közvetlen érintkezését a belső bevonattal, mivel az olaj/sav a belső bevonat károsodását eredményezheti. Távolítsa el az olajos/savas szennyeződések, amint észleli ezeket.
- A fagyasztott élelmiszerek lassan felolvaszthatók a hűtőszekrény rekeszében. Ezzel energiát takaríthat meg.
- Egyes gyümölcsök és zöldségek, mint például a cukkini, dinnye, papaja, banán, ananász stb. érési folyamata felgyorsulhat a hűtőszekrényben. Következésképpen nem javasoljuk ezeknek a hűtőberendezésben való tárolását. Mindazonáltal rendkívül zöld gyümölcsök esetében a hűtőberendezésben adott ideig elősegíthető az érési folyamat. Javasoljuk, hogy a hagymát, fokhagymát, gyömbért és egyéb gyökeres zöldségeket szobahőmérsékleten tárolja.
- A hűtőben érezhető kellemetlen illat megjelenése arra utal, hogy valami kiömlött, és a készülék tisztítást igényel. Lásd az Ápolás és tisztítás részt.
- Különböző élelmiszereket különböző területeken helyezzen el az ételek tulajdonságai szerint.

Tárolás a fagyasztórekeszben

- A fagyasztó hőmérsékletét tartsa -18 °C-on.
- Fagyasztás előtt 24 órával kapcsolja be a Super-Freeze funkciót. Kis mennyiségű étel esetén 4–6 óra is elegendő.
- A forró élelmiszert a fagyasztó rekeszbe helyezés előtt mindenképpen hűtse le szobahőmérsékletre.
- Az apró darabokra szeletelt élelmiszer gyorsabban lefagyasztható, illetve könnyebben kiolvasztható és megfőzhető. Javasoljuk, hogy az egyes darabok tömege ne érje el a 2,5 kg-ot

- Javasoljuk, hogy csomagolja be az élelmiszert, mielőtt a fagyasztóba tenné azt. A zacskók összeragadásának megelőzése érdekében biztosítsa a csomagolások külső felületének a szárazságát. A csomagolásoknak szagmentesnek, légmentesnek, nem mérgezőnek és ártalmatlannak kell lenniük.
- A tárolt élelmiszerek szavatossági idejének a lejártát elkerülendő, kérjük, jegyezze fel a lefagyasztás dátumát, a szavatossági időt és az élelmiszer nevét a csomagolásra, az adott élelmiszerek szavatossági idejének megfelelően.



FIGYELMEZTETÉS!

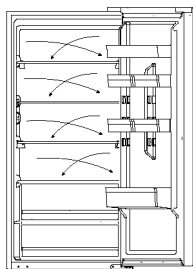
- ▶ A sav, lúg és só stb. károsíthatja a fagyasztó belső felületét.
- ▶ Ne helyezze el az ilyen anyagokat (pl. tengeri halakat) tartalmazó élelmiszereket úgy, hogy azok hozzáérhessenek a belső felülethez. A fagyasztóban lévő sós vizet azonnal távolítsa el.
- ▶ Ne haladja meg a gyártó által javasolt tárolhatósági időt. Csak a szükséges mennyiségű ételt vegye ki a fagyasztóból.
- ▶ A kiolvasztott ételt gyorsan fogyassza el. A kiolvasztott élelmiszer kizárólag megfőzést követően fagyasztható le ismét, ellenkező esetben kevésbé fagyaszthatóvá válhat.
- ▶ Ne tegyen túl sok friss élelmiszert a fagyasztó rekeszbe. Lásd a fagyasztó fagyasztási kapacitását - Lásd a MŰSZAKI ADATOK részt vagy az adattáblán található adatokat.
- ▶ A fagyasztóban legalább $-18\text{ }^{\circ}\text{C}$ -on 2 és 12 hónap közötti ideig tárolható az élelmiszer a jellemzőitől függően (pl. hús: 3–12 hónap, zöldségek: 6–12 hónap)
- ▶ Friss élelmiszer lefagyasztásakor kerülje a már fagyasztott élelmiszerral való érintkezést. Kiolvadás veszélye!

A kereskedelmi forgalomban lévő fagyasztott élelmiszerek tárolásakor kövesse az alábbi irányelveket:

- Mindig kövesse a gyártó utasításait arra vonatkozóan, hogy mennyi ideig tárolhatja az élelmiszert. Ne lépje túl a javasolt értékeket!
- Az élelmiszerek minőségének megőrzése érdekében törekedjen arra, hogy a legrövidebb idő teljen el a vásárlás és a lefagyasztás időpontja között.
- $-18\text{ }^{\circ}\text{C}$ -on vagy annál alacsonyabb hőmérsékleten tárolt fagyasztott élelmiszereket vásároljon.
- Kerülje az olyan élelmiszereknek a vásárlását, amelyek csomagolásán jég vagy fagy látható. Ez azt jelzi, hogy a termékeket részben kiolvasztották, majd valamikor újrafagyasztották; a hőmérséklet-emelkedés befolyásolja az élelmiszerek minőségét.

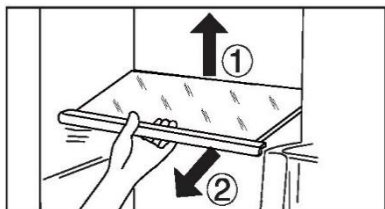
i MEGJEGYZÉS

A különböző modellek miatt előfordulhat, hogy a termék nem rendelkezik az összes alábbi funkcióval. Lásd a Termékleírás című fejezetet.



Többirányú légáramlás

A hűtőszekrény többirányú légáramlási rendszerrel van felszerelve, ez hűvös légárammal látja el az összes polcszintet. Ez segít az egységes hőmérséklet megőrzésében a készülékben, így az étel hosszabb ideig frissebb maradhat.



Állítható polc

1. A polcok magasságát az Ön tárolási igényeihez igazíthatja.
2. Egy polc áthelyezéséhez először emelje fel a hátsó szélét ①, majd húzza ki a polcot ②.
3. A visszaszereléshez helyezze mindkét oldalon a fűlekre, és tolja a leghátsó helyzetbe, amíg a polc hátulja nem rögzül az oldalsó nyílásokban

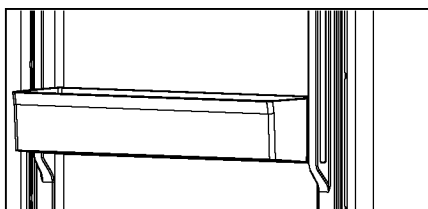
i MEGJEGYZÉS

Győződjön meg arról, hogy a polc mindegyik éle vízszintesen helyezkedik el.

Levehető ajtó erkélyrekesz

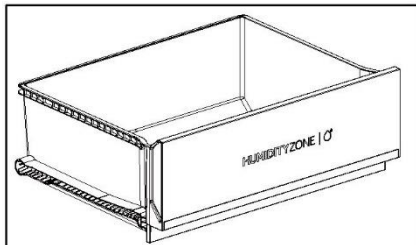
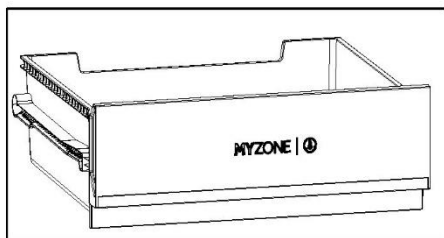
Az ajtó erkélyrekesze tisztítás céljából eltávolítható:

Tegye a kezét az erkélyrekesz két oldalára, emelje fel (1), majd húzza ki a polcot (2). Az ajtó erkélyrekesz behelyezéséhez hajtsa végre a fenti lépéseket fordított sorrendben



My Zone fiók

A My Zone rekesz használatához és beállításához tájékozódjon a HASZNÁLAT szakaszból (My Zone).



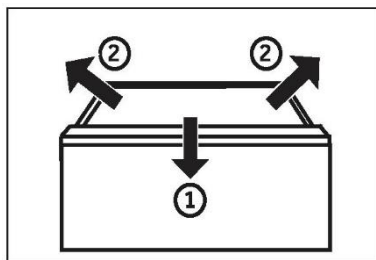
Humidity Zone fiók

Ebben a rekeszben a rendszer automatikusan szabályozza a páratartalmat, és a rekesz alkalmas gyümölcsök, zöldségek, saláták stb. tárolására.

Eltávolítható fiók

Ha ki szeretné venni a fiókot a hűtőszekrényből vagy a fagyasztóból, húzza ki a lehető legnagyobb mértékben (1), emelje meg és vegye ki (2).

A fiók behelyezéséhez fordított sorrendben hajtsa végre a fenti lépéseket.



Fagyasztó fiók

A fagyasztó fiók egyenesen és teljesen kihúzható. Ezek könnyen gördülő teleszkópos sínre vannak szerelve. Így kényelmesen tárolhatja és távolíthatja el a fagyasztott árut. Az automatikus ajtócsukó mechanizmusnak köszönhetően a kezelés egyszerű, és a készülék energiatakarékos.



FIGYELMEZTETÉS!

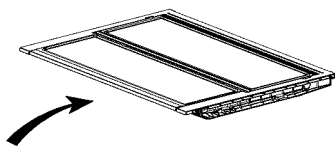
Ne terhelje túl a fiókokat: Az egyes fiókok maximális terhelhetősége: 35 kg!

A világítás

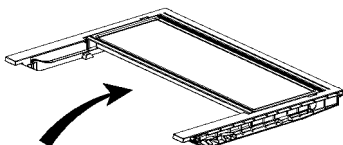
A LED-es belső világítás bekapcsol az ajtónak a nyitásakor. A lámpák teljesítményét a készülék semmilyen egyéb beállítása sem befolyásolja.

Összehajtható polc

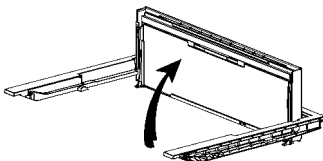
Az összehajtható polc lehetővé teszi a felhasználó számára, hogy magas palackokat vagy tárgyakat tegyen a polcokra. A polc hátul összehajtható, és így az alsó polcon nagyobb szabad hely válik elérhetővé. A polc a 1.–3. ábrák követésével hajtható össze. Ha vissza kívánja tenni az eredeti helyére, fordított sorrendben végezze el az alábbi eljárásokat.



1. lépés: Lassan nyomja a polc elejét ütközésig.



2. lépés: Lassan nyomja fel a polcot függőleges helyzetbe.



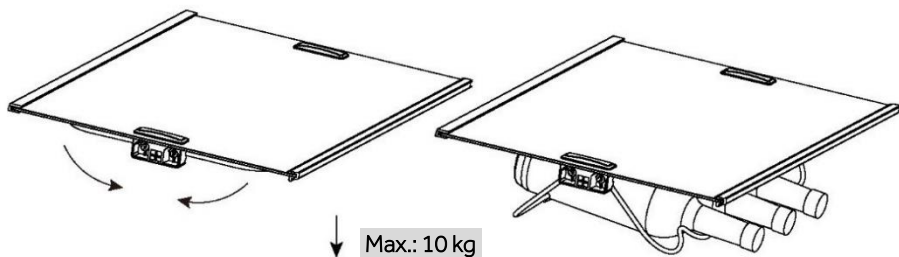
3. lépés: A polc függőleges. Így helyet takarít meg.

Összecsukható bortartó

Normál használat

1. Húzza le a bortartó konzoljait
2. Illessze a palackokat a tartóba

Ha nem használja, a bortartót vissza lehet hajtani, és így helyet takaríthat meg.





Energiatakarékossági tippek

- ▶ Bizonyosodjon meg arról, hogy a készülék megfelelő szellőzéssel rendelkezik (lásd a TELEPÍTÉS részt).
- ▶ Ne telepítse a készüléket közvetlen napsugárzásnak kitett helyre vagy hőforrások közelébe (pl. kályhák, fűtőberendezések).
- ▶ Kerülje a szükségtelenül alacsony hőmérsékletet a készülékben. Az energiafogyasztás növekszik a készülék beállított hőmérsékletének a csökkentésével.
- ▶ Az olyan funkciók, mint a SUPER FREEZE, magasabb energiafogyasztást eredményeznek.
- ▶ Mielőtt a készülékbe tenné, hagyja, hogy a meleg élelmiszer kihűljön.
- ▶ Minél kevésbé és minél rövidebb ideig nyissa ki a készüléknek az ajtaját.
- ▶ Ne töltsé túlságosan meg a készüléket, mivel ez akadályozza a légáramlást.
- ▶ Kerülje, hogy levegő legyen az élelmiszerek csomagolásában.
- ▶ Az ajtó tömítéseket tartsa tisztán, hogy az ajtó mindig megfelelően becsukódhasson.
- ▶ A fagyasztott élelmiszereket olvassza fel a hűtőrekeszben, vagy használja a D-Frost funkciót a My Zone fiókban
- ▶ A leginkább energiatakarékos működéshez a fióknak, az élelmiszerrekesznek és a polcoknak a készülékben kell lenniük olyan állapotban, ahogyan a gyárat elhagyta a készülék, az élelmiszert pedig úgy kell elhelyezni, hogy a légcsatorna kimenetét ne akadályozza.



FIGYELMEZTETÉS!

Tisztítás

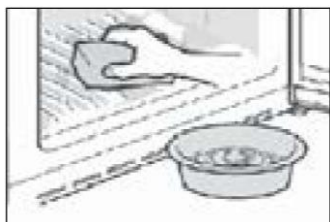
Akkor tisztítsa meg a készüléket, amikor kevés vagy semmilyen élelmiszer nem található benne.

A készüléket tisztítsa meg négyhetente a megfelelő karbantartás jegyében, illetve megelőzendő a kellemetlen élelmiszer illatok kialakulását.



FIGYELMEZTETÉS!

- ▶ Ne tisztítsa a készüléket keménysörtés kefékkel, drótkefékkel, mosóporral, benzinnel, amil-acetáttal, acetonnal és hasonló szerves oldatokkal, valamint savas vagy lúgos oldatokkal. A károsodások elkerülése érdekében a hűtőszekrény tisztítását speciális, adott célra kialakított tisztítószerrel végezze.
- ▶ Tisztítás közben ne permetezze vagy öblítse le a készüléket.
- ▶ Ne használjon vízpermetet vagy gőzt a készülék tisztításához.
- ▶ A hideg üvegpolcokat ne tisztítsa forró vízzel. A hirtelen hőmérséklet-változás nyomán az üveg megrepedhet.
- ▶ Ne érintse meg a fagyasztórekesz belső felületét, különösen nedves kézzel, mert a keze a felülethez fagyhat.
- ▶ Felmelegítés esetén ellenőrizze a fagyasztott áruk állapotát.



- ▶ Mindig tartsa tisztán az ajtó tömitést.
- ▶ Tisztítsa meg a készülék belsejét és burkolatát meleg vízzel és semleges tisztítószerrel átnedvesített szivaccsal.
- ▶ 1. Tisztítsa meg a hűtőszekrény belsejét és külsejét, beleértve az ajtó tömitést, az ajtópolcot, az üvegpolcokat, a dobozokat és így tovább, puha törőlkendővel vagy meleg vízbe mártott szivaccsal (a művelethez a meleg vízbe elegyíthet semleges tisztítószer).
- ▶ 2. Ha folyadék ömlött ki, távolítsa el az összes szennyezett alkatrészt, öblítse át ezeket közvetlenül folyó víz alatt, majd szárítsa meg és tegye vissza az alkatrészeket a hűtőbe.
- ▶ 3. Krémszerű termékek (például tejszín, olvadó jégkrém) kiömlése esetén, kérjük, távolítsa el az összes szennyezett alkatrészt, helyezze adott időtartamra meleg, kb. 40 °C-os vízbe, majd öblítse át folyó vízzel, szárítsa meg, és tegye vissza a hűtőszekrénybe.
- ▶ 4. Abban az esetben, ha egy kisebb alkatrész vagy alkotóelem reked a hűtőszekrény belsejébe (a polcok vagy fiókok közé), az eltávolításhoz kis puha kefért használjon. Ha az alkatrész nem elérhető, kérjük, vegye fel a kapcsolatot a Haier szervizzel



- ▶ Öblítse le a felületeket, majd törölje szárazra egy puha törlőkendővel.
- ▶ A készülék egyetlen részét vagy tartozékát se tisztítsa mosogatógépben.
- ▶ A készülék újraindítása előtt várjon legalább 5 percet, mivel a készülék gyakori indítása során károsodhat a kompresszor.

Leolvasztás

A hűtőszekrény és a fagyasztórekeszek kiolvasztása automatikusan történik: nincs szükség felhasználói beavatkozásra.

A LED-es lámpák cseréje



FIGYELMEZTETÉS!

Ne tegyen kísérletet a LED-es lámpák saját kezű cseréjére, ezeket csak a gyártó vagy a hivatalos szerviz munkatársa cserélheti ki.

A lámpa fényforrása LED alapú, amely alacsony fogyasztást és hosszú élettartamot szavatol. Bármilyen rendellenesség esetén vegye fel a kapcsolatot az ügyfélszolgálattal. Lásd az ÜGYFÉLSZOLGÁLAT részt.

A lámpák paramétereit:

Alkatrész	LED-es lámpa
Feszültség	12 V
Max. teljesítmény	1,5 W
LED-specifikáció	Fehér-2835
LED hatékonysági osztály	G
Használati hőmérséklet	-40–80 °C

Hosszabb használaton kívüli időszak

Ha a készüléket hosszabb ideig nem használja, és a Holiday funkciót nem használja:

Vegye ki az ételt.

Húzza ki a tápkábelt.

Tisztítsa meg a készüléket a fent leírtak szerint.

A kellemetlen szagok készüléken belüli megjelenésének elkerülése érdekében hagyja nyitva az ajtókat.



MEGJEGYZÉS

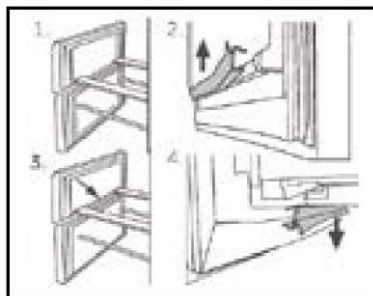
Csak akkor kapcsolja ki a készüléket, ha feltétlenül szükséges.

Eltávolítható kiegészítő ajtó-tömítések

A felső és alsó fagyasztó fiókoknál hat kiegészítő ajtó-tömítés található.

1. Keresse meg az öt jelzett ajtó-tömítést a felső és az alsó fagyasztó fiókokon.
2. Ügyeljen arra, hogy rögzítéskor a tömítések hajlított szakaszai befelé mutassanak.
3. Keresse meg a felső fióknak az alsó tömítését a jelzett módon.
4. Ügyeljen arra, hogy rögzítéskor a tömítés hajlított szakasza lefelé nézzen.

Ezeket a tömítéseket, valamint a forgó ajtó/fiók tömítéseit megrendelheti az ügyfélszolgálaton keresztül (lásd a jótállási jegyet).



A készülék mozgatása

1. Távolítsa el az összes élelmiszert, és húzza ki a készülék csatlakozódugóját.
2. Rögzítse a polcokat és az egyéb mozgatható alkatrészeket a hűtőben és a fagyasztóban szigetelőszalaggal.
3. A hűtőrendszer károsodásának az elkerülése érdekében ne döntse meg a hűtőberendezést 45°-nál nagyobb szögben.



FIGYELMEZTETÉS!

- ▶ Ne emelje a készüléket a fogantyúitól.
- ▶ Soha ne fektesse a készüléket vízszintesen a földre.



Sok felmerülő problémát saját maga is megoldhat speciális szakértelem nélkül. Probléma felmerülése esetén ellenőrizze az összes felsorolt lehetőséget, és kövesse az alábbi utasításokat, mielőtt felvenné a kapcsolatot egy ügyfélszolgálattal. Lásd az ÜGYFÉLSZOLGÁLAT részt.



FIGYELMEZTETÉS!

- ▶ Karbantartás előtt kapcsolja ki a készüléket, és húzza ki a hálózati dugaszt a hálózati aljzathoz.
- ▶ Az elektromos berendezéseket csak szakképzett villamossági szakemberek szervizelhetik, mert a nem megfelelő javítások jelentős károkat okozhatnak.
- ▶ Sérült tápkábel esetén a veszély elkerülése érdekében cseréltesse ki azt a gyártóval, a gyártó szervizközpontjával vagy más szakemberrel.

Hibaelhárítási táblázat

Probléma	Lehetséges ok	Lehetséges megoldás
A kompresszor nem működik.	A hálózati dugaszt nem csatlakoztatta a hálózati aljzathoz.	Csatlakoztassa a hálózati dugót.
	A készülék leolvasztási ciklust végez.	Ez természetes jelenség automatikus leolvasztásnál.
A készülék gyakran bekapcsol vagy túlságosan hosszú ideig üzemel.	A beltéri vagy kültéri hőmérséklet túl magas.	Éppen az esetben természetes, hogy a készülék üzemideje megnövekedett.
	A készülék hosszabb ideig kikapcsolt állapotban volt.	Normál esetben 8 és 12 óra közötti időtartam szükséges a készülék teljes lehűléséhez.
	Egy ajtó/fiók a készülékben nem záródik megfelelően.	Csukja be az ajtót/fiókot, és bizonyosodjon meg arról, hogy a készülék egyenes felületen található, és hogy élelmiszer vagy tárolóedény nem gátolja az ajtó záródását.
	Az ajtót/fiókot túlságosan gyakran nyitotta ki, vagy túlságosan sokáig tartotta nyitva.	Ne nyissa ki az ajtót/fiókot túl gyakran.
	A fagyasztórekesz hőmérsékletének a beállítása túl alacsony.	Állítsa a hőmérsékletet magasabbra, amíg el nem éri a megfelelő hűtőszekrény hőmérsékletét. A hűtőszekrény hőmérséklete stabilizálása 24 órát vesz igénybe.
	Az ajtó/fiók tömitése szennyezett, kopott, repedt vagy nem megfelelő.	Tisztítsa meg az ajtó/fiók tömitését, vagy cserélje ezt az ügyfélszolgálat bevonásával.
	A szükséges szellőzés nem biztosított.	Bizonyosodjon meg arról, hogy megfelelő a szellőzés.

Probléma	Lehetséges ok	Lehetséges megoldás
A hűtőszekrény belső része szennyezett és/vagy kellemetlen szagú.	A hűtőszekrény belső része tisztítást igényel.	Tisztítsa meg a hűtőszekrény belső részét.
	Erős illatú élelmiszert tárol a hűtőszekrényben.	Alaposan csomagolja be az élelmiszert.
Nincs elég hideg a készülék belsejében.	A beállított hőmérséklet túl magas.	Állítsa vissza a hőmérsékletet
	Túl meleg ételt helyezett be.	Tárolás előtt mindig hűtse le az ételeket.
	Túl sok ételt helyezett egyszerre a készülékbe.	Az élelmiszereket mindig kis mennyiségben helyezze be.
	Az élelmiszereket egymáshoz túl közel helyezte.	Hagyjon rést az élelmiszerek között, ami lehetővé teszi a levegő áramlását.
	Egy ajtó/fiók a készülékben nem záródik megfelelően.	Csukja be az ajtót/fiókot.
	Az ajtót/fiókot túlságosan gyakran nyitotta ki, vagy túlságosan sokáig tartotta nyitva.	Ne nyissa ki az ajtót/fiókot túl gyakran.
Túl hideg van a készülék belsejében.	A beállított hőmérséklet túl alacsony.	Állítsa vissza a hőmérsékletet.
	A Super Freeze funkciót bekapcsolta, vagy a funkció túl sokáig üzemel.	Kapcsolja ki a Super Freeze funkciót.
Pára csapódik le a hűtőrekesz belső részén.	Az éghajlat túl meleg vagy túl nedves.	Növelje a hőmérsékletet.
	Egy ajtó/fiók a készülékben nem záródik megfelelően.	Csukja be az ajtót/fiókot.
	Az ajtót/fiókot túlságosan gyakran nyitotta ki, vagy túlságosan sokáig tartotta nyitva.	Ne nyissa ki az ajtót/fiókot túl gyakran.
	Étel- vagy folyadékártalók nyitott állapotban maradtak a hűtőben.	A forró élelmiszereket hagyja szobahőmérsékletre hűlni, illetve fedje le az élelmiszereket és folyadékokat.
Nedvesség gyűlik fel a hűtőberendezés külső felületén vagy az ajtó/ajtók és a fiók között.	Az éghajlat túl meleg vagy túl nedves.	Ez természetes jelenség nedves éghajlati viszonyok között, és megszűnik, amint csökken a páratartalom.
	Az ajtó/fiók nincs megfelelően becsukva.	Bizonyosodjon meg arról, hogy megfelelően becsukta az ajtót/fiókot.
Vastag jég és zúzmara található a fagyasztórekeszben.	Az élelmiszereket nem megfelelően csomagolta be.	Az élelmiszereket mindig jól csomagolja be.
	Az ajtót/fiókot túlságosan gyakran nyitotta ki, vagy túlságosan sokáig tartotta nyitva.	Ne nyissa ki az ajtót/fiókot túl gyakran.
	Az ajtó/fiók tömitése szennyezett, kopott, repedt vagy nem megfelelő.	Tisztítsa meg az ajtó/fiók tömitését, vagy cserélje ki ezt újjal.
	Valami belülről megakadályozza az ajtónak/fióknak a megfelelő záródását.	Helyezze vissza a polcokat, az ajtópolcokat vagy belső tartályokat úgy, hogy az ajtó/fiók becsukódhasson.



Probléma	Lehetséges ok	Lehetséges megoldás
A készülék rendellenes hangokat ad ki.	A készüléket nem vízszintes talajon helyezte el.	Állítsa be a lábakat a készülék szintbe állításához.
	A készülék hozzáér valamilyen körülötte lévő tárgyhoz.	Távolítsa el a készülék mellett lévő tárgyakat.
Az áramló vízhez hasonló halk hang hallható.	Ez természetes jelenség.	/
Riasztó hangjelzése hallható.	A hűtőrekesz ajtója nyitva maradt.	Csukja be az ajtót, vagy némítsa el manuálisan a riasztást.
Egy halvány zümmögés hallható.	A lecsapódásgátló rendszer üzemel.	Ez megakadályozza a páralecsapódást és normális.
A belső világítás vagy hűtőrendszer nem működik.	A hálózati dugasz nem csatlakozik a hálózati aljzathoz	Csatlakoztassa a hálózati dugót.
	Az áramellátás nem megfelelő.	Ellenőrizze a helyiség áramellátását. Vegye fel a kapcsolatot a helyi áramszolgáltatóval!
	A LED-es lámpa meghibásodott.	Vegye fel a kapcsolatot a szervizzel a lámpa kicseréléséhez.
A szekrény oldalai és az ajtótomítás felmelegedik.	Ez természetes jelenség.	/
Nem távozik víz a vízadagoló csövéből	Nem kapcsolta ki a zárat.	Kapcsolja ki a zárat



Tápellátás megszakadása

- ▶ Tápkimaradás esetén az élelmiszer biztonságos hidegben marad megközelítőleg 13 órán át. Hosszabb tápkimaradás esetén, különösen nyáron, kövesse az alábbi tippeket.
- ▶ Tápkimaradás esetén ne tegyen további élelmiszereket a készülékbe.
- ▶ Ha a szolgáltató előzetesen tájékoztat a várható tápkimaradásról, és ha a tápkimaradás időtartama meghaladja az 13 órát, gyártson pár jégkockát, és helyezze a hűtőrekesz felső polcára.
- ▶ A megszakítást követően azonnal vizsgálja meg az élelmiszereket.
- ▶ Mivel a hűtőszekrényben a hőmérséklet áramkimaradás vagy egyéb meghibásodás esetén emelkedni fog, a tárolási időtartam és az élelmiszer fogyaszthatósági időtartama lecsökken. Röviddel a kimaradást követően a kiolvadt élelmiszert fogyassza el, vagy főzze meg, és fagyassza le ismét (ha lehetséges) az egészségügyi kockázatok elkerülése érdekében.



MEGJEGYZÉS

Memória funkció áramkimaradás esetén

Az áramellátás helyreállítása után a készülék az áramkimaradás előtt meghatározott beállításokkal folytatja az üzemet.

A műszaki támogatással való kapcsolatfelvételhez látogasson el a következő webhelyre: <https://corporate.haier-europe.com/en/>

A „webhely” (website) rész alatt válassza ki a termék márkáját és országát. Az oldal átirányítja az adott webhelyre, ahol megtalálható a műszaki támogatás eléréséhez szükséges telefonszám és egyéb kapcsolatfelvételi módok.

Kicsomagolás



FIGYELMEZTETÉS!

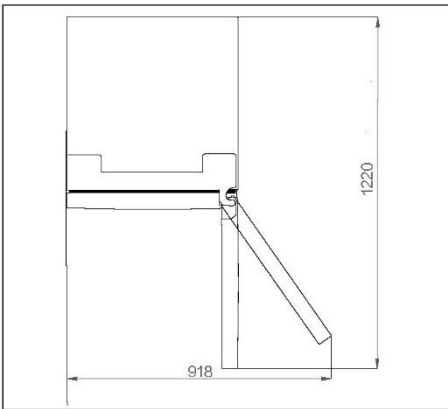
- ▶ A készülék nehéz. A készülék mozgatásához mindig legalább két személy szükséges.
- ▶ Tartson minden csomagolóanyagot gyermekektől elzárva, kiselejtezésüket pedig környezetbarát módon végezze.
- ▶ Vegye ki a készüléket a csomagolásból.
- ▶ Távolítsa el az összes csomagolóanyagot.

Környezeti körülmények

A szobahőmérsékletnek mindig 10 °C és 43 °C között kell lennie, mivel befolyásolhatja a készülék belsejének hőmérsékletét és energiafogyasztását. Szigetelés nélkül ne telepítse a készüléket egyéb hőkibocsátó készülékek (sütők, hűtőgépek) közelébe.

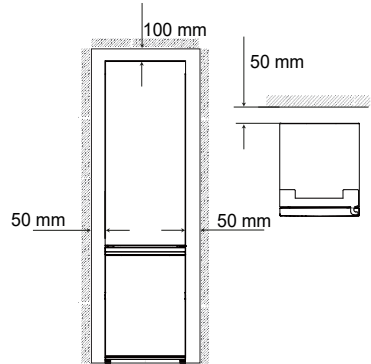
Helyigényt illető javaslatok

Javasolt hely nyitott ajtó mellett.



Szellőzés keresztmetszet

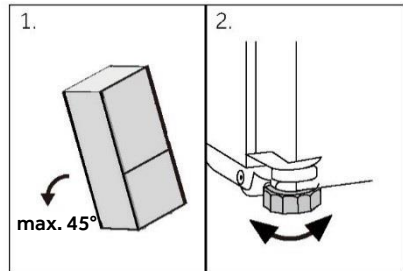
A készülék megfelelő szellőzésének a biztosításához javasoljuk a helyigényt illető iránymutatás figyelembe vételét.

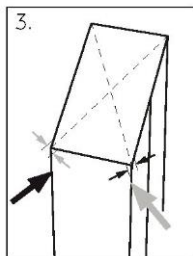


A készülék elhelyezése

A készüléket sík és szilárd felületre telepítse.

1. Döntse a hűtőszekrényt enyhén hátrafelé.
 2. Állítsa a lábakat a kívánt szintre.
- Bizonyosodjon meg arról, a zsanér felőli oldalon a fal legalább 100 mm-re található, így biztosítható az ajtó megfelelő nyithatósága.

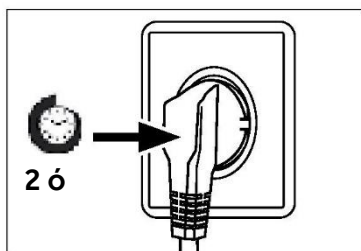




1. A stabilitást ellenőrizheti, ha az átlók mentén nyomást helyez a készülékre. A kis lengésnek mindkét irányban azonosnak kell lennie. Ellenkező esetben a keret görbülhet; ez pedig esetleg szivárgó ajtó tömítéseket eredményezhet. Az enyhe hátradőlés elősegíti az ajtók bezáródását.

i MEGJEGYZÉS

Önálló készülékek esetén: ez a hűtőberendezés kialakításából adódóan nem arra készült, hogy beépíthető készülékként használják



Várakozási idő

Karbantartásmentes kenőolaj található a kompresszorban kialakított gyűjtőedényben. Ferde szállítás esetén ez az olaj a zárt csőrendszerbe juthat. Mielőtt tápellátáshoz csatlakoztatná a készüléket, mindenképpen várjon legalább 2 órát, hogy az olaj visszajusson a gyűjtőedénybe.

Elektromos csatlakoztatás

Minden egyes csatlakoztatás előtt ellenőrizze az alábbiakat:

- ▶ tápellátás, aljzat és biztosíték megfelelősége az adattáblán szereplő adatoknak;
- ▶ a tápaljzat földeléssel rendelkezik, és nem használ többcsatlakozós hosszabbítót a tápellátáshoz;
- ▶ a tápdugasz és az aljzat teljes mértékben illeszkedik egymáshoz.

Csatlakoztassa a csatlakozódugót egy megfelelően beépített háztartási aljzathoz.



FIGYELMEZTETÉS!

A kockázatok elkerülése érdekében a sérült tápkábelt kötelezően ki kell cserélni, ezt pedig csak az ügyfélszolgálat munkatársa végezheti el (lásd a jótállási jegyet).



Ajtó nyitásának váltása

Mielőtt csatlakoztatná a készüléket az áramforráshoz, ellenőrizze, hogy az ajtó nyitását jobbról (leszállított állapot) balra kell-e fordítani, ha ezt a telepítési hely és a használhatóság megköveteli.

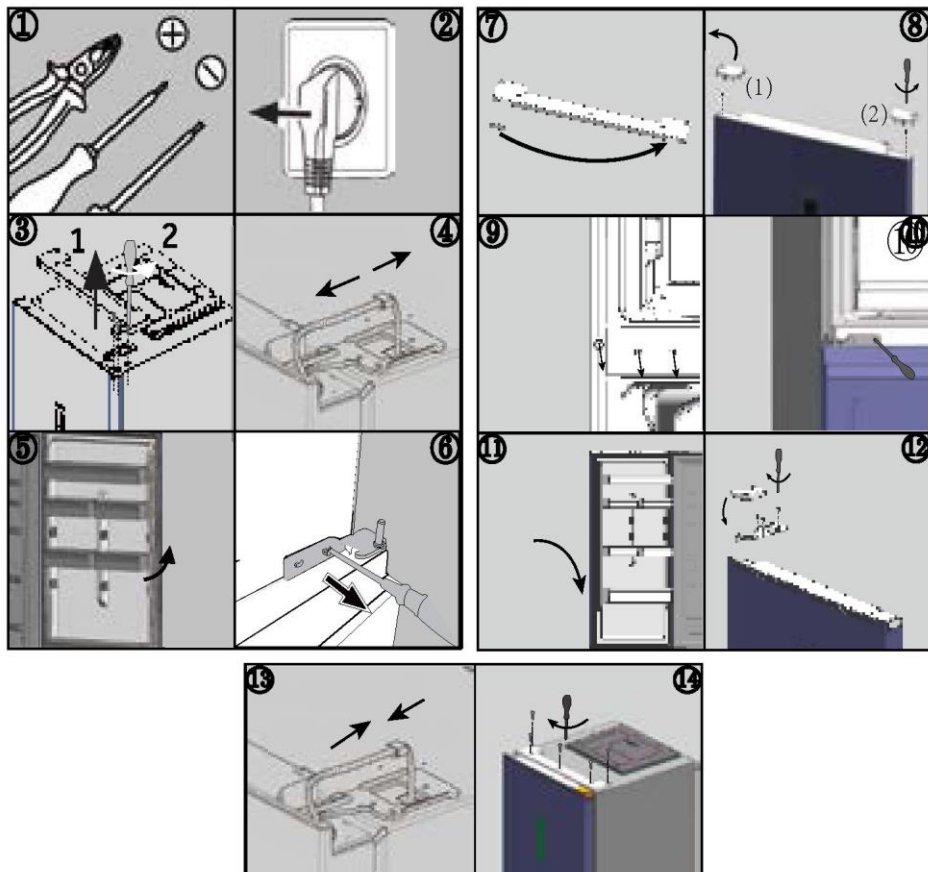


FIGYELMEZTETÉS!

- ▶ A készülék nehéz. Az ajtó megfordítása két embert igényel.
- ▶ Bármilyen művelet előtt először húzza ki a készüléket a hálózati aljzathoz.
- ▶ A hűtőrendszer károsodásának a megelőzése érdekében ne döntse meg a készüléket 45°-nál nagyobb mértékben.

Összeszerelési lépések

1. Biztosítsa a szükséges szerszámot.
 2. Húzza ki a készüléket a hálózati aljzathoz.
 3. Távolítsa el a felső zsanér burkolatát 1, és csavarozza ki a felső zsanért (három csavar) a jobb oldalon 2.
 4. Húzza ki a csatlakozókábelt
 5. Óvatosan emelje le a hűtőszekrény meglazított ajtaját a középső zsanérról.
 6. Távolítsa el a középső zsanért.
 7. Távolítsa el az előlap kis fedelét balról jobbra.
 8. Fordítsa fejjel lefelé az ajtót, és csavarja le a fedelet (1). Vegye ki az új fedelet (2) a szükséges alkatrészek tasakjából, és csavarja fel az ellenkező oldalra.
 9. Módosítsa a vakdugóknak és az oldalsó csavarnak a helyzetét.
 10. Csavarozza fel a középső zsanért a készülék bal oldalára. Ügyeljen a középső zsanér forgócsapjának megfordítására, ügyelve arra, hogy a tömítéssel ellátott oldal felfelé mutasson
 11. Óvatosan emelje rá a felső ajtót a középső zsanérra. Majd győződjön meg arról, hogy a forgócsap illeszkedik az alsó ajtó csuklópántjához
 12. Vegye ki az új felső zsanért és a zsanérburkolatot a tartozéktasakból. Vezesse át a csatlakozókábelt a zsanéron keresztül, és rögzítse a felső zsanért a készülék bal oldalán található három csavarral. Majd tegye a zsanérfedelet a zsanérra.
 13. Csatlakoztassa a csatlakozókábelt.
 14. Szerelje vissza az előlapot, és rögzítse öt csavarral.
- Az ajtó nyitási irányának a cseréje után ellenőrizze, hogy az ajtó tömítések megfelelően vannak-e elhelyezve a burkolaton, és hogy az összes csavar megfelelően meg van-e húzva.



Környezeti hőmérsékletek

Kiterjesztett mérsékelt osztály: a hűtőberendezés 10 °C közötti 32 °C környezeti hőmérsékleten való felhasználásra készült

Mérsékelt osztály: a hűtőberendezés 16 °C közötti 32 °C környezeti hőmérsékleten való felhasználásra készült;

Szubtrópusi osztály: a hűtőberendezés 16 °C közötti 38 °C környezeti hőmérsékleten való felhasználásra készült;

Trópusi osztály: a hűtőberendezés 16 °C közötti 43 °C környezeti hőmérsékleten való felhasználásra készült.



Az (EU) 2019/2016 előírásnak megfelelő paraméterek

24 órás szabványos teszteredmények alapján. A valós energiafogyasztás a készülék használati módjának és elhelyezésének függvényében változik

Modell	HTW5618DN*	HTW5620DN*	HTW5618EN*
Hűtőberendezés típusa	Hűtő-fagyasztó	Hűtő-fagyasztó	Hűtő-fagyasztó
Energiahatékonysági osztály	D	D	E
Éves energiafogyasztás (kWh/év)	217	226	271
Hűtőrekesz térfogata (l)	201	255	201
Fagyasztórekesz térfogata (l)	125	125	125
Hűtőrekesz térfogat (l)	34	34	34
Fagyasztási osztály	4 csillagos	4 csillagos	4 csillagos
Leolvasztás típusa	Automatikus leolvasztás	Automatikus leolvasztás	Automatikus leolvasztás
Hőmérséklet-emelkedési idő (ó)	13	13	11
Fagyasztási kapacitás (kg/24 ó)	10,0	10,0	10,0
Klímaosztály	SN.N.ST.T	SN.N.ST.T	SN.N.ST.T
Zajkibocsátási osztály és levegőben terjedő akusztikus zajkibocsátás (dB(A) re 1 pW)	B(35)	B(35)	B(35)



Modell	HTW5618CN*	HTW5620CN*	HTW5620EN*
Hűtőberendezés típusa	Hűtő-fagyasztó	Hűtő-fagyasztó	Hűtő-fagyasztó
Energiahatékonysági osztály	C	C	E
Éves energiafogyasztás (kWh/év)	173	181	283
Hűtőrekesz térfogata (l)	201	255	255
Fagyasztórekesz térfogata (l)	125	125	125
Hűtőrekesz térfogat (l)	34	34	34
Fagyasztási osztály	4 csillagos	4 csillagos	4 csillagos
Leolvasztás típusa	Automatikus leolvasztás	Automatikus leolvasztás	Automatikus leolvasztás
Hőmérséklet-emelkedési idő (ó)	13	13	11
Fagyasztási kapacitás (kg/24 ó)	10,0	10,0	10,0
Klímaosztály	SN.N.ST.T	SN.N.ST.T	SN.N.ST.T
Zajkibocsátási osztály és levegőben terjedő akusztikus zajkibocsátás (dB(A) re 1 pW)	B(35)	B(35)	B(35)



Modell	HDPW5618DN*	HDPW5620DN*	HDPW3620DN*
Hűtőberendezés típusa	Hűtő-fagyasztó	Hűtő-fagyasztó	Hűtő-fagyasztó
Energiahatékonysági osztály	D	D	D
Éves energiafogyasztás (kWh/év)	214	220	220
Hűtőrekesz térfogata (l)	201	255	255
Fagyasztórekesz térfogata (l)	117	117	117
Hűtőrekesz térfogat (l)	34	34	34
Fagyasztási osztály	4 csillagos	4 csillagos	4 csillagos
Leolvasztás típusa	Automatikus leolvasztás	Automatikus leolvasztás	Automatikus leolvasztás
Hőmérséklet-emelkedési idő (ó)	13	13	11
Fagyasztási kapacitás (kg/24 ó)	10,0	10,0	10,0
Klímaosztály	SN.N.ST.T	SN.N.ST.T	SN.N.ST.T
Zajkibocsátási osztály és levegőben terjedő akusztikus zajkibocsátás (dB(A) re 1 pW)	B(35)	B(35)	B(35)



Modell	HDPW3618DN*	HDPW3620CN*	HTW3620DN*
Hűtőberendezés típusa	Hűtő-fagyasztó	Hűtő-fagyasztó	Hűtő-fagyasztó
Energihatékonysági osztály	D	D	D
Éves energiafogyasztás (kWh/év)	214	176	226
Hűtőrekesz térfogata (l)	201	255	255
Fagyasztórekesz térfogata (l)	117	117	125
Hűtőrekesz térfogat (l)	34	34	34
Fagyasztási osztály	4 csillagos	4 csillagos	4 csillagos
Leolvasztás típusa	Automatikus leolvasztás	Automatikus leolvasztás	Automatikus leolvasztás
Hőmérséklet-emelkedési idő (ó)	13	13	13
Fagyasztási kapacitás (kg/24 ó)	10,0	10,0	10,0
Klímaosztály	SN.N.ST.T	SN.N.ST.T	SN.N.ST.T
Zajkibocsátási osztály és levegőben terjedő akusztikus zajkibocsátás (dB(A) re 1 pW)	B(35)	B(35)	B(35)



Modell	HDPW5618CN*	HDPW5620CN*	HDPW5620AN*
Hűtőberendezés típusa	Hűtő-fagyasztó	Hűtő-fagyasztó	Hűtő-fagyasztó
Energiahatékonysági osztály	C	C	A
Éves energiafogyasztás (kWh/év)	171	176	114
Hűtőrekesz térfogata (l)	201	255	255
Fagyasztórekesz térfogata (l)	117	117	120
Hűtőrekesz térfogat (l)	34	34	34
Fagyasztási osztály	4 csillagos	4 csillagos	4 csillagos
Leolvasztás típusa	Automatikus leolvasztás	Automatikus leolvasztás	Automatikus leolvasztás
Hőmérséklet-emelkedési idő (ó)	13	13	16
Fagyasztási kapacitás (kg/24 ó)	10,0	10,0	10,0
Klímaosztály	SN.N.ST.T	SN.N.ST.T	SN.N.ST.T
Zajkibocsátási osztály és levegőben terjedő akusztikus zajkibocsátás (dB(A) re 1 pW)	B(35)	B(35)	B(35)

Kiegészítő műszaki adatok

Modell	HTW5618DN*	HTW5618EN*	HTW5620DN*
Össztérfogat (l)	360	360	414
Feszültség / Frekvencia	220~240 V váltóáram / 50 Hz	220~240 V váltóáram / 50 Hz	220~240 V váltóáram / 50 Hz
Bemeneti áramerősség (A)	1,4	1,4	1,4
Fő biztosíték (A)	16	16	16
Hűtőközeg	R600a(53g)	R600a(53g)	R600a(53g)
Méretek (Szé/Mé/Ma mm-ben)	595*667*1850	595*667*1850	595*667*2050

Modell	HTW5618CN*	HTW5620CN*	HTW5620EN*
Össztérfogat (l)	360	414	414
Feszültség / Frekvencia	220~240V/50Hz	220~240V/50Hz	220~240V/50Hz
Bemeneti áramerősség (A)	1,4	1,4	1,4
Fő biztosíték (A)	15	15	16
Hűtőközeg	R600a(50g)	R600a(50g)	R600a(53g)
Méretek (Szé/Mé/Ma mm-ben)	595*667*1850	595*667*2050	595*667*2050

Modell	HDPW5618DN*	HDPW5620DN*	HDPW3620DN*
Össztérfogat (l)	352	406	406
Feszültség / Frekvencia	220~240V/50Hz	220~240V/50Hz	220~240V/50Hz
Bemeneti áramerősség (A)	1.4	1.4	1.4
Fő biztosíték (A)	16	16	16
Hűtőközeg	R600a(53g)	R600a(53g)	R600a(53g)
Méretetek (Szé/Mé/Ma mm-ben)	595*667*1850	595*667*2050	595*667*2050

Modell	HDPW5618CN*	HDPW5620CN*	HDPW5620AN*
Össztérfogat (l)	352	406	409
Feszültség / Frekvencia	220–240 V váltóáram / 50 Hz	220–240 V váltóáram / 50 Hz	220–240 V váltóáram / 50 Hz
Bemeneti áramerősség (A)	1,4	1,4	1,4
Fő biztosíték (A)	15	15	15
Hűtőközeg	R600a(50g)	R600a(50g)	R600a(50g)
Méretetek (Szé/Mé/Ma mm-ben)	595*667*1850	595*667*2050	595*667*2050



Modell	HDPW5618CN*	HDPW5620CN*	HDPW5620AN*
Össztérfogat (l)	352	406	409
Feszültség / Frekvencia	220~240V/50Hz	220~240V/50Hz	220~240V/50Hz
Bemeneti áramerősség (A)	1.4	1.4	1.4
Fő biztosíték (A)	15	15	16
Hűtőközeg	R600a(50g)	R600a(50g)	R600a(50g)
Méretek (Szé/Mé/Ma mm-ben)	595*667*1850	595*667*2050	595*667*2050



Figyelmébe ajánljuk a Haier ügyfélszolgálat és az eredeti pótalkatrészek igénybe vételét. Ha probléma merül fel a készülékkel, először tekintse át a HIBAELHÁRÍTÁS részt.

Ha ebben nem talál megoldást, lépjen kapcsolatba

- ▶ a helyi márkakereskedővel vagy
- ▶ európai telefonos ügyfélszolgálati központunkkal (lásd alább a felsorolt telefonszámokat) vagy
- ▶ a www.haier.com oldalon található Szerviz és támogatás (Service & Support) területen, ahol aktiválhatja a szervizelési
- ▶ igényt, illetve megtalálhatja a GYIK oldalt.

A szerviz szolgáltatásunkkal való kapcsolatfelvétel előtt bizonyosodjon meg arról, hogy elérhetőek az alábbi adatok.

Az információ az adattáblán található.

Modell _____

Sorozatszám _____

Jótállási igény felmerülése esetén ellenőrizze a termékhez mellékelt jótállási kártyát is.

Európai telefonos ügyfélszolgálati központ		
Ország*	Telefonszám	Költségek
Haier Italy (IT)	199 100 912	
Haier Spain (ES)	902 509 123	
Haier Germany (DE)	0180 5 39 39 99	<ul style="list-style-type: none"> • 14 cent/perc vezetékes • max. 42 cent/perc mobil
Haier Austria (AT)	0820 001 205	<ul style="list-style-type: none"> • 14,53 cent/perc vezetékes • max. 20 cent/perc összes egyéb
Haier United Kingdom (UK)	0333 003 8122	
Haier France (FR)	0980 406 409	



* További országokért látogasson el a www.haier.com oldalra
Haier Europe Trading S.r.l
Branch UK
Westgate House, Westgate, Ealing
London, W5 1YY

*A hűtőszekrény jótállásának időtartama:
Minimális jótállás: 2 év az uniós tagállamokban, 3 év Törökországban, 1 év az Egyesült Királyságban, 1 év Oroszországban, 3 év Svédországban, 2 év Szerbiában, 5 év Norvégiában, 1 év Marokkóban, 6 hónap Algériában, Tunézia nincs kötelező jogi jótállás.

*A készülék javításához szükséges pótalkatrészek rendelkezésre állásának időtartama:
Termosztátok, hőmérséklet érzékelők, nyomtatott áramköri lapok és fényforrások legalább hét évig elérhetők a piacra bocsátott utolsó modelltől számítva.
Ajtófogantyúk, ajtópántok, tálcák és kosarak legalább hét évig, míg ajtóötmitések legalább 10 évig elérhetők a piacra bocsátott utolsó modelltől számítva.

*A termékre vonatkozó további tájékoztatás ügyében tekintse meg az <https://eprel.ec.europa.eu/> oldalt, vagy olvassa be a készüléken elhelyezett, energiafogyasztást jelölő címkén található QR-kódot.



Haier

2023, A verzió



0060534356

<u>327 Informazioni per la sicurezza</u>	•	Operazioni preliminari al primo utilizzo	328
		Installazione	328
		Utilizzo quotidiano	329
<u>332 Uso previsto</u>	•		
<u>333 Descrizione del prodotto</u>	•		
<u>337 Pannello di controllo</u>	•		
<u>338 Utilizzo</u>	•	Regolazione della temperatura del frigorifero	339
		Regolazione della temperatura del congelatore	339
		Regolazione della temperatura del comparto My Zone	339
		Funzione Super Cool	340
		Funzione Super Freeze	341
<u>346 Dotazioni</u>	•		
<u>350 Suggerimenti per il risparmio energetico</u>	•		
<u>351 Cura e pulizia</u>	•		
<u>354 Risoluzione dei problemi</u>	•		
<u>358 Installazione</u>	•		
<u>362 Dati tecnici</u>	•		
<u>368 Assistenza clienti</u>	•		



Fare clic sui contenuti per visualizzare le informazioni dettagliate.



Grazie per aver acquistato un prodotto Haier.

Leggere attentamente queste istruzioni prima di utilizzare l'elettrodomestico. Le istruzioni contengono informazioni importanti per ottimizzare l'uso dell'elettrodomestico e garantire l'installazione, l'uso e la manutenzione sicuri e corretti.

Conservare il presente manuale in un luogo comodo, in modo da poterlo sempre consultare per un uso sicuro e corretto dell'elettrodomestico.

Se l'elettrodomestico viene venduto, ceduto o abbandonato in caso di trasloco, trasferire anche il presente manuale in modo che il nuovo proprietario possa comprendere l'uso dell'elettrodomestico e delle avvertenze di sicurezza.

Accessori

Controllare gli accessori e la documentazione in base al seguente elenco:



**AVVERTENZA - Informazioni importanti per la sicurezza****AVVISO - Informazioni generali e consigli****Informazioni ambientali****Smaltimento**

Contribuire a proteggere l'ambiente e la salute umana. Collocare l'imballo in appositi contenitori affinché venga riciclato. Contribuire al riciclo dei rifiuti delle apparecchiature elettriche ed elettroniche. Non smaltire gli elettrodomestici contrassegnati con questo simbolo assieme ai rifiuti domestici. Conferire il prodotto presso la struttura di riciclo locale o rivolgersi all'ufficio comunale preposto.

**AVVERTENZA!**

Pericolo di lesioni o soffocamento!

I refrigeranti e i gas devono essere smaltiti in maniera professionale. Accertarsi che la tubazione del circuito del refrigerante non sia danneggiata prima di smaltirla correttamente. Scollegare l'elettrodomestico dalla rete elettrica. Tagliare il cavo di alimentazione e smaltirlo. Rimuovere vassoi e cassette, fermaporte e guarnizioni, per evitare che bambini e animali domestici rimangano chiusi nell'elettrodomestico.



Prima di accendere l'elettrodomestico per la prima volta, leggere i seguenti consigli sulla sicurezza:



AVVERTENZA!

Operazioni preliminari al primo utilizzo

- ▶ Accertarsi dell'assenza di danni dovuti al trasporto.
- ▶ Rimuovere tutti gli elementi di imballo e tenerli fuori dalla portata dei bambini.
- ▶ Per garantire la totale efficienza del circuito del refrigerante, attendere almeno due ore prima di installare l'elettrodomestico.
- ▶ L'elettrodomestico deve essere maneggiato sempre da almeno due persone perché è pesante.

Installazione

- ▶ Installare l'elettrodomestico in un luogo asciutto e ben ventilato. Lasciare uno spazio libero di almeno 10 cm sopra e attorno all'elettrodomestico.
- ▶ Non collocare mai l'elettrodomestico in zone umide o soggette a schizzi d'acqua. Pulire e asciugare schizzi e macchie d'acqua con un panno morbido e pulito.
- ▶ Non installare l'elettrodomestico esposto alla luce diretta del sole o in prossimità di fonti di calore (ad es. stufe o radiatori).
- ▶ Installare l'elettrodomestico a livello in un'area adatta alle dimensioni e all'uso.
- ▶ Le aperture di ventilazione nell'elettrodomestico o nella struttura a incasso devono rimanere sempre libere.
- ▶ Accertarsi che i dati elettrici sulla targhetta siano conformi all'alimentazione elettrica. In caso contrario, rivolgersi a un elettricista.
- ▶ L'elettrodomestico funziona con corrente elettrica 220-240 Vca / 50 Hz. Oscillazioni anomale della tensione possono causare il mancato avvio dell'elettrodomestico, danni al controllo della temperatura o al compressore oppure rumori anomali durante il funzionamento. In tal caso, è opportuno montare un regolatore automatico.
- ▶ Non adoperare prese multiple o cavi di prolunga.
- ▶ Non collocare prese multiple o alimentatori portatili nella parte posteriore dell'elettrodomestico.
- ▶ Accertarsi che il cavo di alimentazione non sia intrappolato dal frigorifero. Non calpestare il cavo di alimentazione.



AVVERTENZA!

- ▶ Per l'alimentazione elettrica utilizzare una presa separata collegata a terra e facilmente accessibile. L'elettrodomestico deve essere collegato a terra. Solo per il Regno Unito: il cavo di alimentazione dell'elettrodomestico è dotato di una spina a 3 conduttori (collegata a terra) adatta a una presa standard a 3 conduttori (collegata a terra). Non tagliare né smontare mai il terzo conduttore (collegamento a terra). Dopo l'installazione dell'elettrodomestico, la spina deve essere accessibile.
- ▶ Non danneggiare il circuito di refrigerazione.

Utilizzo quotidiano

- ▶ Questo elettrodomestico può essere utilizzato da bambini di almeno 8 anni, da persone con ridotte capacità fisiche, sensoriali o mentali e da persone inesperte solo sotto stretta sorveglianza o se hanno appreso le modalità di utilizzo sicuro dell'elettrodomestico e sono consapevoli dei relativi pericoli.
- ▶ I bambini di età da 3 a 8 anni possono introdurre e prelevare alimenti dall'elettrodomestico, ma non devono pulirlo o installarlo.
- ▶ Tenere lontano dall'elettrodomestico i bambini di età inferiore a 3 anni, a meno che non siano costantemente sorvegliati.
- ▶ Impedire ai bambini di giocare con l'elettrodomestico.
- ▶ In caso di perdite di gas refrigerante o altri gas infiammabili in prossimità dell'elettrodomestico, chiudere la valvola del gas che fuoriesce, aprire porte e finestre e non staccare la spina del cavo di alimentazione del frigorifero o di altri elettrodomestici.
- ▶ Si noti che l'elettrodomestico è impostato per il funzionamento in un intervallo di temperatura ambiente specifico compreso tra 10 e 43°C. L'elettrodomestico potrebbe non funzionare correttamente se lasciato per un lungo periodo a una temperatura superiore o inferiore all'intervallo indicato.
- ▶ Non collocare elementi instabili (oggetti pesanti, contenitori pieni d'acqua) sopra il frigorifero, per evitare lesioni personali dovute a cadute o scosse elettriche causate dal contatto con l'acqua.
- ▶ Non caricare eccessivamente i balconcini dello sportello. Lo sportello potrebbe deformarsi, il portabottiglie potrebbe fuoriuscire o l'elettrodomestico potrebbe rovesciarsi.
- ▶ Aprire e chiudere gli sportelli solo adoperando le maniglie. La distanza tra gli sportelli e tra gli sportelli e il vano è molto limitata. Non allungare le mani in queste zone per evitare di schiacciarsi le dita. Aprire o chiudere gli sportelli del frigorifero solo quando non ci sono bambini nel raggio di movimento degli sportelli.



AVVERTENZA!

- ▶ Non conservare né utilizzare materiali esplosivi o corrosivi nell'elettrodomestico o nelle vicinanze.
- ▶ Non conservare medicinali, batteri o sostanze chimiche nell'elettrodomestico. Questo apparecchio è un elettrodomestico. Si sconsiglia di conservare materiali che richiedono temperature rigide.
- ▶ Non riporre liquidi in bottiglie o lattine (né alcolici ad elevata gradazione), specialmente bevande gassate, nel congelatore, perché durante il congelamento potrebbero scoppiare.
- ▶ Se la temperatura del congelatore è aumentata, controllare lo stato degli alimenti.
- ▶ Non impostare una temperatura inutilmente bassa nel vano frigorifero. Con impostazioni elevate possono crearsi temperature sotto zero. Attenzione: le bottiglie possono scoppiare
- ▶ Non toccare i prodotti congelati con le mani bagnate (indossare i guanti). In particolare, non mangiare i ghiaccioli subito dopo averli tolti dal vano congelatore. In caso contrario, potrebbe congelarsi la bocca e potrebbero formarsi vesciche da gelo. PRONTO SOCCORSO: collocare immediatamente la zona congelata sotto l'acqua fredda corrente. Non tirare via la zona congelata!
- ▶ Non toccare la superficie interna del comparto congelatore durante il funzionamento, soprattutto con le mani bagnate, poiché le mani potrebbero congelarsi sulla superficie.
- ▶ In caso di blackout o prima della pulizia, scollegare l'elettrodomestico. Attendere almeno 7 minuti prima di riavviare l'elettrodomestico, poiché un avvio frequente può danneggiare il compressore.
- ▶ Non adoperare dispositivi elettrici all'interno dei comparti dell'elettrodomestico destinati alla conservazione degli alimenti, a meno che non siano del tipo consigliato dal produttore. Manutenzione / pulizia
- ▶ Accertarsi che i bambini siano sorvegliati se effettuano la pulizia e la manutenzione.
- ▶ Scollegare l'elettrodomestico dalla rete elettrica prima di effettuare operazioni di manutenzione ordinaria. Attendere almeno 5 minuti prima di riavviare l'elettrodomestico, poiché un avvio frequente può danneggiare il compressore.



AVVERTENZA!

- ▶ Quando si scollega l'elettrodomestico, mantenere la spina e non il cavo.
- ▶ Non pulire l'elettrodomestico con spazzole rigide, spazzole metalliche, detersivi in polvere, benzina, acetato di pentile, acetone e soluzioni organiche simili, soluzioni acide o alcaline. Per la pulizia adoperare un detergente speciale per frigoriferi per evitare danni.
- ▶ Non raschiare via ghiaccio e brina con oggetti appuntiti. Non adoperare spray, riscaldatori elettrici (ad es. asciugacapelli) o altre fonti di calore per evitare danni ai componenti in plastica.
- ▶ Non usare oggetti meccanici o utensili diversi da quelli consigliati dal produttore per accelerare lo sbrinamento.
- ▶ Se il cavo di alimentazione è danneggiato, deve essere sostituito dal produttore, da un tecnico dell'assistenza o da una persona con analogo qualifica per evitare rischi.
- ▶ Non cercare di riparare, smontare o modificare personalmente l'elettrodomestico. Per le riparazioni rivolgersi all'assistenza clienti.
- ▶ Eliminare la polvere sul retro dell'unità almeno una volta all'anno per scongiurare il rischio di incendio e limitare i consumi energetici.
- ▶ Non spruzzare o schizzare liquidi sull'elettrodomestico durante la pulizia.
- ▶ Per pulire questo elettrodomestico non utilizzare apparecchi a vapore.
- ▶ Non pulire i ripiani di vetro freddi con acqua calda. Un'improvvisa variazione della temperatura può causare la rottura del vetro.

Informazioni sul gas refrigerante



AVVERTENZA!

L'elettrodomestico contiene il refrigerante infiammabile ISOBUTANO (R600a). Accertarsi che il circuito del refrigerante non abbia subito danni durante il trasporto o l'installazione. Eventuali perdite di refrigerante possono causare lesioni oculari o incendi. In caso di danni, tenere lontane fonti di fiamme libere, ventilare perfettamente l'ambiente, non collegare o scollegare i cavi di alimentazione dell'elettrodomestico o di altri elettrodomestici. Informare l'assistenza clienti.

In caso di contatto con gli occhi, sciacquare immediatamente con acqua corrente e rivolgersi tempestivamente a un oculista.



Uso previsto

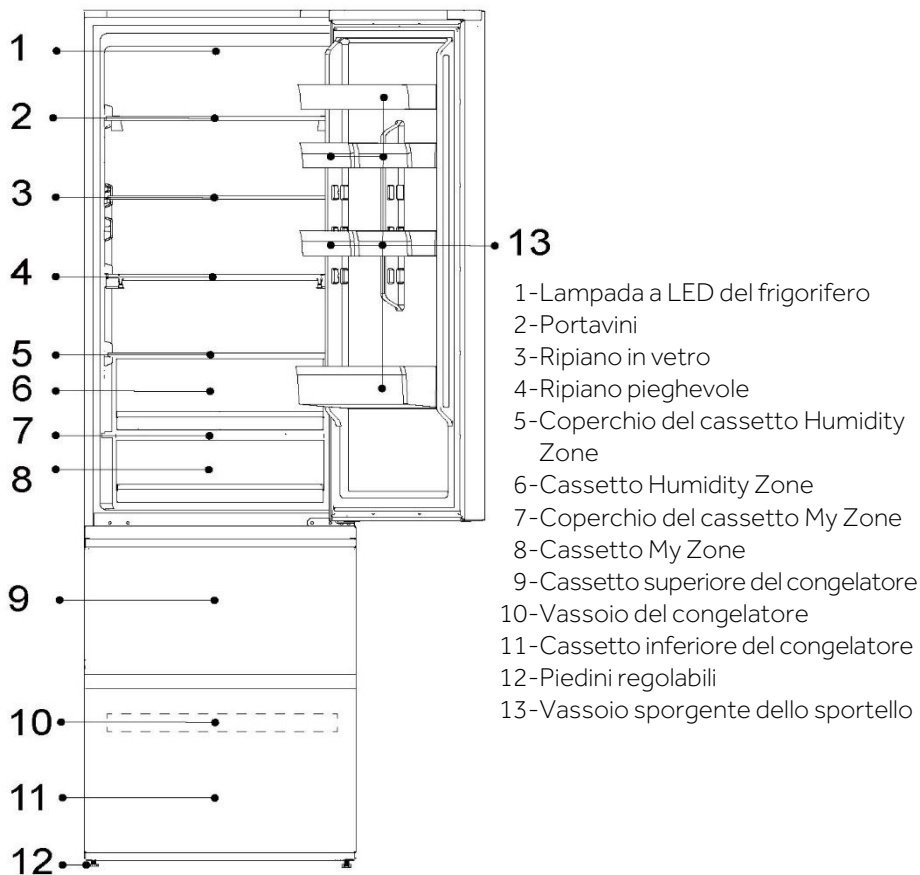
Questo elettrodomestico è destinato al raffreddamento e al congelamento di alimenti. È stato progettato esclusivamente per l'uso in applicazioni domestiche e simili, ad es. zone cucina del personale in negozi, uffici e altri ambienti di lavoro; in fattorie, da clienti in hotel, motel e altri ambienti di tipo residenziale, nonché in bed-and-breakfast e attività di ristorazione. Non è destinato ad usi commerciali o industriali. Non sono consentiti cambiamenti o modifiche all'elettrodomestico. Utilizzi errati possono causare pericoli e annullare la garanzia.

Norme e direttive **CE**

Questo prodotto è conforme ai requisiti di tutte le direttive CE vigenti con le corrispondenti norme armonizzate che prevedono il marchio CE.

i AVVISO

A causa di modifiche tecniche e della varietà dei modelli, alcune illustrazioni riportate nel presente manuale possono essere diverse dall'aspetto reale del modello.
(HTW5620EN*, HTW5620DN*, HTW5620CN*)

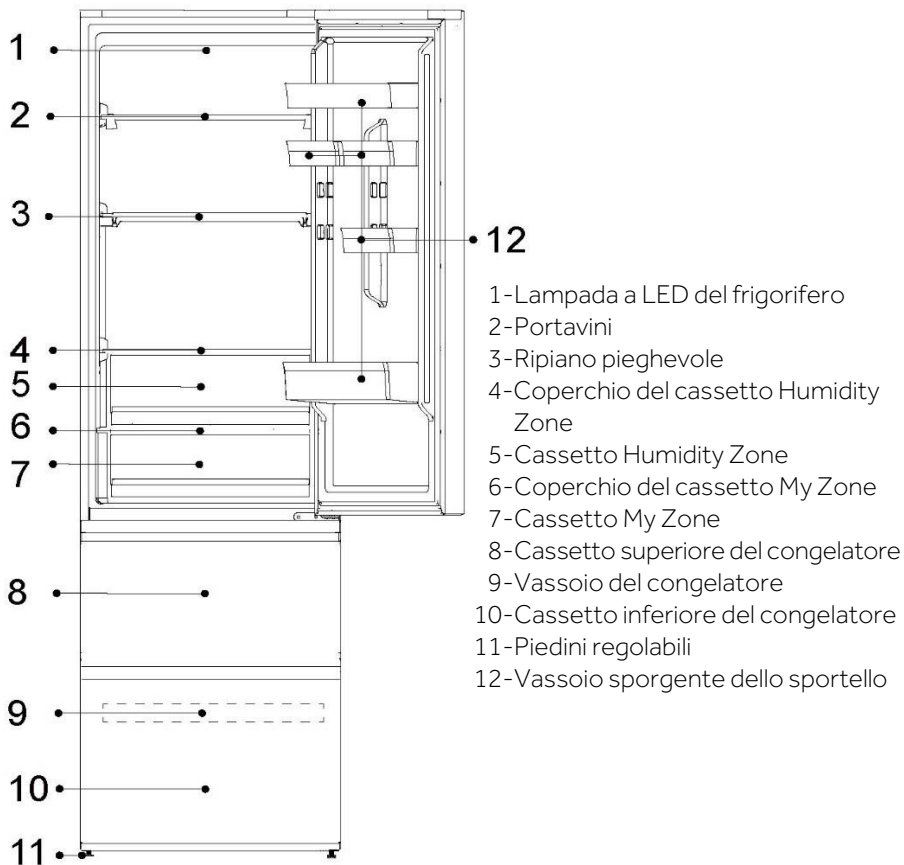




i AVVISO

A causa di modifiche tecniche e della varietà dei modelli, alcune illustrazioni riportate nel presente manuale possono essere diverse dall'aspetto reale del modello.

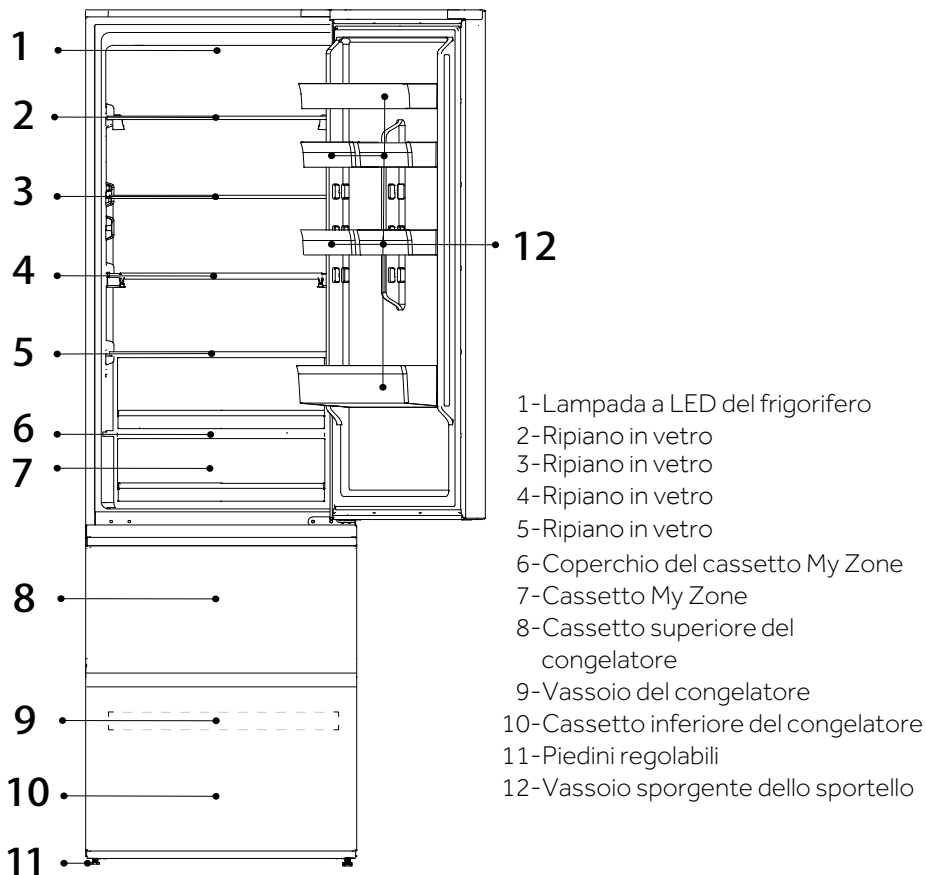
(HTW5618DN*, HTW5618CN*, HTW5618EN*)



i AVVISO

A causa di modifiche tecniche e della varietà dei modelli, alcune illustrazioni riportate nel presente manuale possono essere diverse dall'aspetto reale del modello.

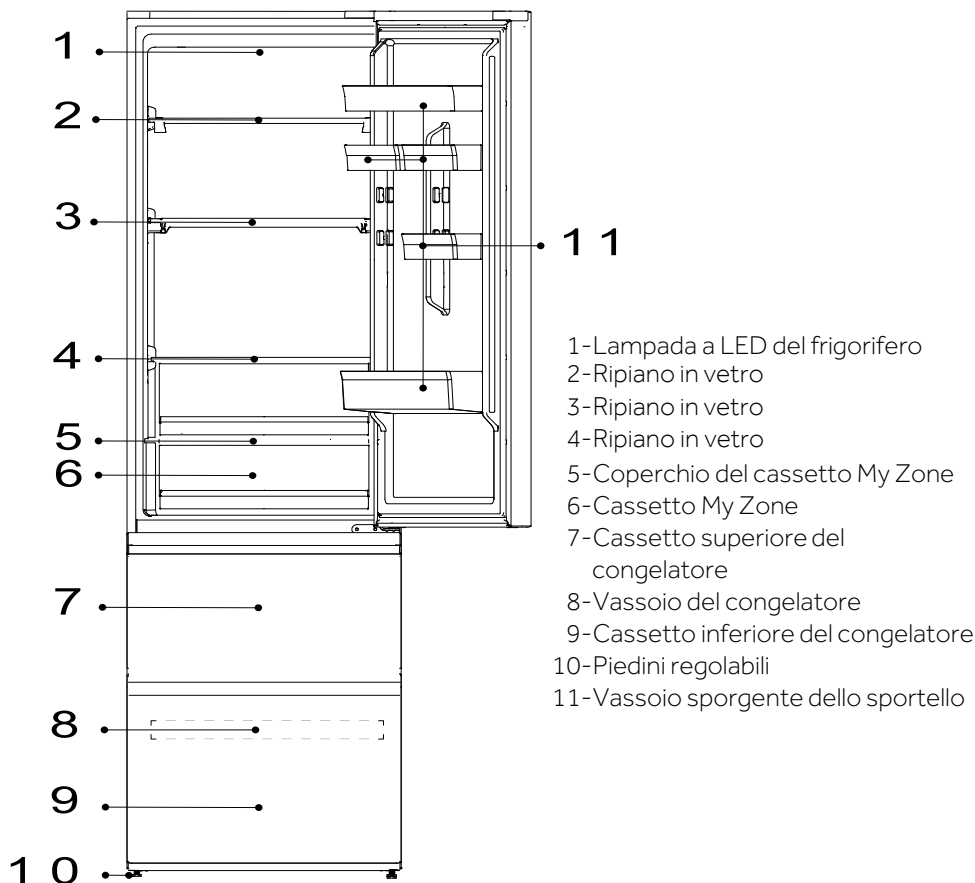
(HTW3620EN*, HTW3620DN*, HTW3620CN*)



i AVVISO

A causa di modifiche tecniche e della varietà dei modelli, alcune illustrazioni riportate nel presente manuale possono essere diverse dall'aspetto reale del modello.

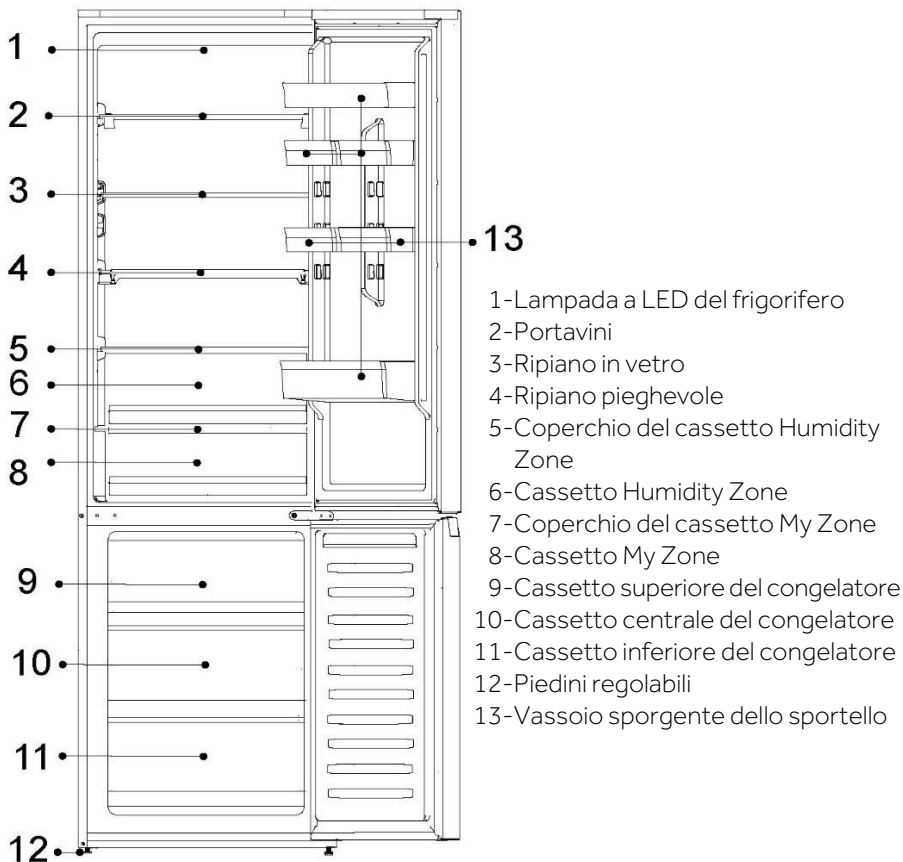
(HTW3618EN*, HTW3618DN*, HTW3618CN*)



i AVVISO

A causa di modifiche tecniche e della varietà dei modelli, alcune illustrazioni riportate nel presente manuale possono essere diverse dall'aspetto reale del modello.

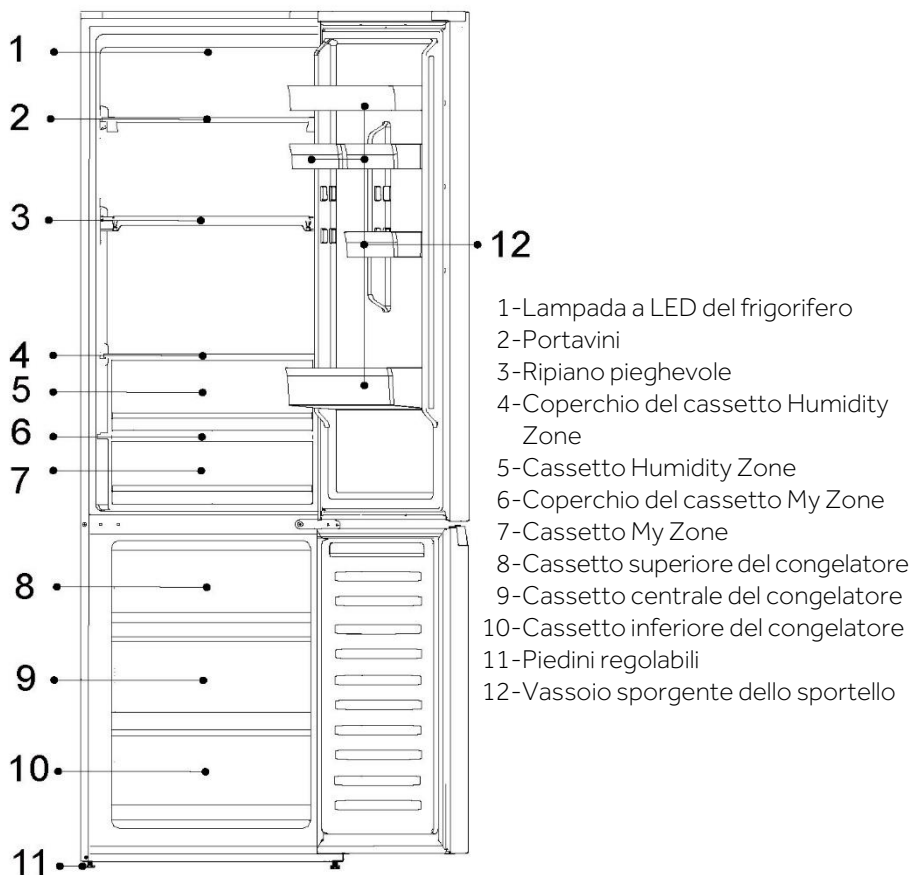
(HDPW5620DN*, HDPW5620CN*, HDPW5620BN*, HDPW5620AN*)



i AVVISO

A causa di modifiche tecniche e della varietà dei modelli, alcune illustrazioni riportate nel presente manuale possono essere diverse dall'aspetto reale del modello.

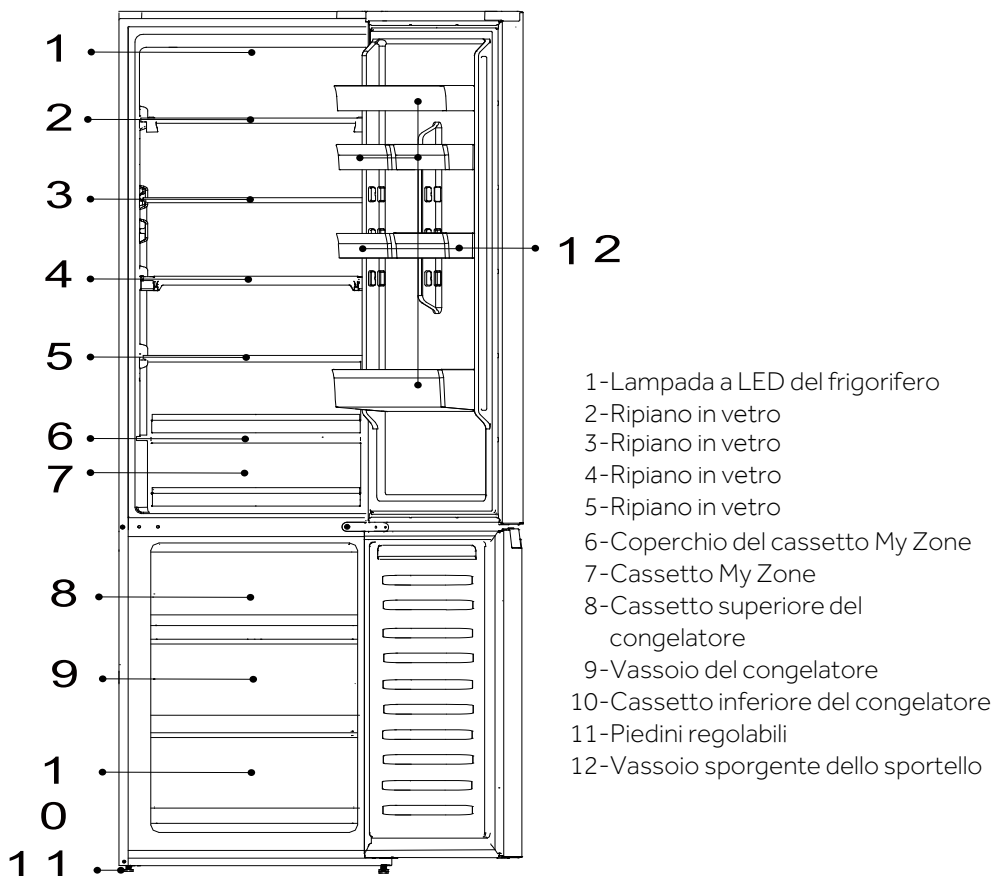
(HDPW5618DN*, HDPW5618CN*)



i AVVISO

A causa di modifiche tecniche e della varietà dei modelli, alcune illustrazioni riportate nel presente manuale possono essere diverse dall'aspetto reale del modello.

(HDPW3620DN*, HDPW3620CN*)

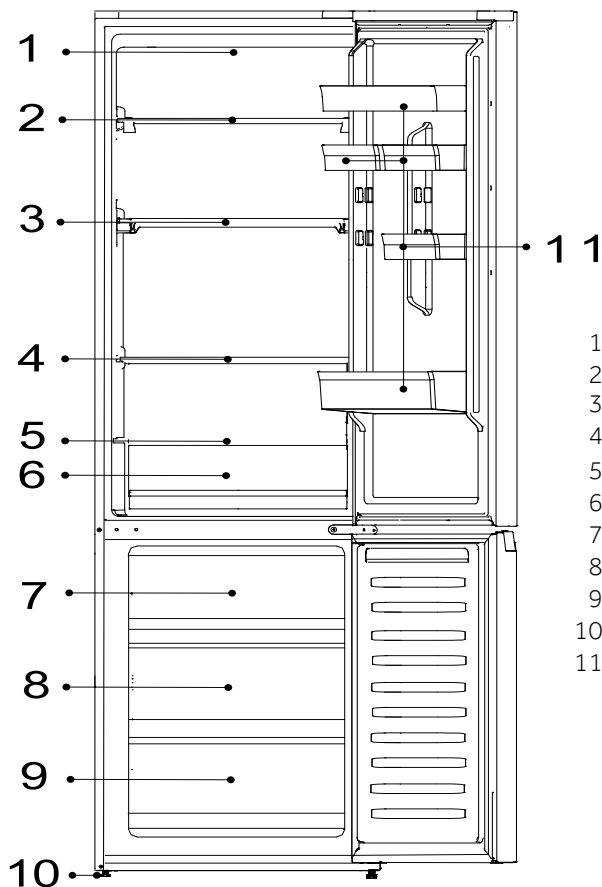




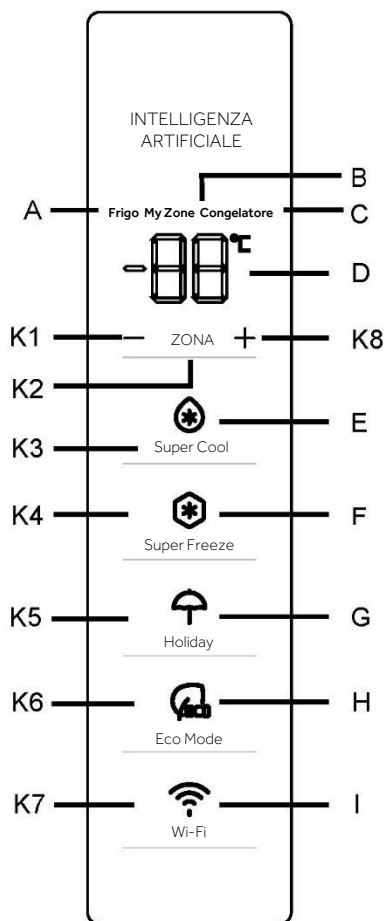
i AVVISO

A causa di modifiche tecniche e della varietà dei modelli, alcune illustrazioni riportate nel presente manuale possono essere diverse dall'aspetto reale del modello.

(HDPW3618DN*, HDPW3618CN*)



- 1-Lampada a LED del frigorifero
- 2-Ripiano in vetro
- 3-Ripiano in vetro
- 4-Ripiano in vetro
- 5-Coperchio del cassetto My Zone
- 6-Cassetto My Zone
- 7-Cassetto superiore del congelatore
- 8-Vassoio del congelatore
- 9-Cassetto inferiore del congelatore
- 10-Piedini regolabili
- 11-Vassoio sporgente dello sportello

Pannello di controllo


Spie:

- A Scomparto frigo
- B Vano congelatore (My Zone)
- C Scomparto congelatore
- D Visualizzazione della temperatura
- E Funzione Super Cool
- F Funzione Super Freeze
- G Funzione Holiday
- H Funzione Eco Mode
- I Funzione Wi-Fi

Tasti:

- K1 Diminuzione della temperatura
- K2 Selezione frigorifero, My Zone e congelatore
- K3 Attivazione/disattivazione della funzione Super Cool
- K4 Attivazione/disattivazione della funzione Super Freeze
- K5 Attivazione/disattivazione della funzione Holiday
- K6 Attivazione/disattivazione della funzione Eco Mode
- K7 Attivazione/disattivazione della funzione Wi-Fi
- K8 Aumento della temperatura

Operazioni preliminari al primo utilizzo

Rimuovere tutti i materiali di imballo, tenerli fuori dalla portata dei bambini e smaltirli nel rispetto dell'ambiente.

Pulire l'interno e l'esterno dell'elettrodomestico, nonché l'interno e gli accessori con acqua e un detergente delicato, quindi asciugarlo bene con un panno morbido.

Dopo l'installazione a livello e la pulizia dell'elettrodomestico, attendere almeno 2 ore prima di collegarlo all'alimentazione elettrica. Vedere la sezione **INSTALLAZIONE**.

Prima di caricare gli alimenti, preraffreddare i vani con impostazioni elevate. La funzione Super Freeze serve a raffreddare rapidamente il comparto congelatore.

Tasti a sensore

I tasti del pannello di controllo sono di tipo a sensore che rispondono toccandoli lievemente con un dito.

Accensione e spegnimento dell'elettrodomestico

L'elettrodomestico entra in funzione non appena viene collegato all'alimentazione elettrica.

Quando l'apparecchio viene acceso per la prima volta, gli indicatori di temperatura "D" mostrano i valori preimpostati (fare riferimento all'Avviso seguente).



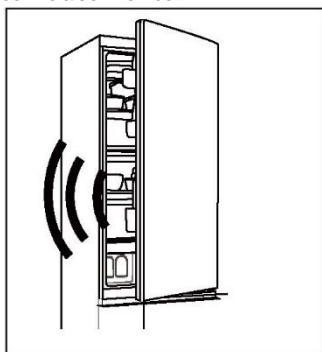
AVVISO

L'elettrodomestico è preimpostato alla temperatura consigliata di 5 °C (frigorifero) e -18 °C (congelatore). La temperatura di My Zone è preimpostata a circa 2°C. Queste impostazioni sono quelle consigliate. È possibile, tuttavia, cambiare manualmente queste temperature.

Allarme sportello aperto

Se lo sportello rimane aperto per oltre 3 minuti, il frigorifero emette un allarme acustico per segnalarlo.

L'allarme può essere tacitato chiudendo lo sportello. Se lo sportello rimane aperto per oltre 7 minuti, l'illuminazione interna del frigorifero e l'illuminazione del pannello di controllo si spengono automaticamente.



Regolazione della temperatura

Le temperature interne dipendono dai seguenti fattori:

- ▶ Temperatura ambiente
- ▶ Frequenza di apertura dello sportello
- ▶ Quantità di alimenti conservati
- ▶ Installazione dell'elettrodomestico



Regolazione della temperatura del frigorifero

1. Premere il tasto "K2" (selezione Frigorifero/(My Zone)/Congelatore) per selezionare il comparto frigorifero. Le icone "A" (comparto frigorifero) e "D" (visualizzazione temperatura) sono accese.
2. Premere il tasto "K1/K8" per impostare la temperatura del frigorifero.

La temperatura aumenta in sequenze di 1 °C, da un minimo di 2 °C a un massimo di 8 °C. La temperatura ottimale del frigorifero è di 5 °C. Temperature più basse comportano un consumo di energia superfluo.

3. Dopo circa 5 secondi, l'icona della temperatura "D" (visualizzazione della temperatura) si illumina in modo permanente confermando l'impostazione.

Regolazione della temperatura del congelatore

1. Premere il tasto "K2" (selezione Frigorifero/(My Zone)/Congelatore) per selezionare il comparto congelatore. Le icone "C" (comparto congelatore) e "D" (visualizzazione temperatura) sono accese.
2. Premere il tasto "K1/K8" per impostare la temperatura del congelatore.

La temperatura aumenta in sequenze di 1°C, da un minimo di -24°C a un massimo di -16°C. La temperatura ottimale del frigorifero è -18°C. Temperature più fredde comportano un consumo di energia non necessario.

3. Dopo circa 5 secondi, l'indicatore della temperatura "D" (visualizzazione della temperatura) si illumina in modo permanente confermando l'impostazione.

Regolazione della temperatura del comparto My Zone

Il vano frigorifero è dotato di un cassetto My Zone. In base alle esigenze di conservazione degli alimenti, è possibile selezionare la temperatura più adatta per preservare i valori nutrizionali ottimali degli alimenti.

1. Premere il tasto "K2" (selezione Frigorifero/(My Zone)/Congelatore) per selezionare il comparto My Zone. Le icone "B" (comparto My Zone) e "D" (Visualizzazione temperatura) sono accese.
2. Premere il tasto "K1/K8" per impostare la temperatura My Zone.

La temperatura aumenta in sequenze di 1°C, da un minimo di 0°C a un massimo di 5°C.

3. Dopo circa 5 secondi, l'icona della temperatura "D" (visualizzazione della temperatura) si illumina in modo permanente confermando l'impostazione.



i AVVISO

1. È possibile impostare la temperatura del comparto My Zone al livello medio (2 °C) per proteggere gli alimenti in un ambiente di conservazione ottimale.
2. A causa del diverso contenuto di acqua della carne, alcuni tipi di carne con umidità più elevata si congelano a temperature inferiori a 0 °C. Per tale motivo, la carne di fresco taglio deve essere conservata nel cassetto My Zone a una temperatura minima di 0 °C.
3. I formaggi, la frutta e gli ortaggi sensibili al freddo (ad es. ananas, avocado, banane, pompelmi; patate, melanzane, fagioli, cetrioli, zucchine e pomodori) non devono essere conservati nel cassetto My Zone.
4. Se la temperatura del frigorifero è inferiore alla temperatura My Zone, è normale che la temperatura My Zone sia inferiore alla temperatura impostata My Zone.

i AVVISO

Dopo aver impostato la temperatura, se vengono premuti altri tasti entro 5 secondi, l'impostazione della temperatura corrente verrà confermata immediatamente. Se non viene eseguita alcuna operazione con i tasti entro 5 secondi, viene visualizzata la temperatura impostata corrente finché lo schermo non si spegne.

i AVVISO

Dall'App è possibile personalizzare sia la temperatura del frigorifero, del congelatore e di My Zone. La temperatura può essere impostata con una sensibilità di 1 °C.

Funzione Super Cool

1. È preferibile attivare la funzione Super Cool se occorre conservare una quantità maggiore di alimenti (ad es. dopo l'acquisto). La funzione Super Cool accelera il raffreddamento degli alimenti freschi e protegge quelli già conservati da un riscaldamento indesiderato.
2. Premere il tasto "K3" o attivarlo dall'App, l'icona "E" (funzione Super Cool) si accende e la funzione è attivata.



i AVVISO

1. L'elettrodomestico esce dalla "funzione Super Cool" dopo essere rimasto nella "funzione Super Cool" per 6 ore o dopo aver premuto il tasto "K3" quando l'icona "E" (funzione Super Cool) è accesa o spegnendolo dall'App.
2. Nello stato di Super Cool, se si regola la temperatura del comparto frigorifero, l'icona "E" (funzione Super Cool) lampeggia ad indicare che questa operazione non può essere effettuata.

Funzione Super Freeze

1. Gli alimenti freschi devono essere congelati prima possibile fino in profondità. In tal modo, si preservano il più possibile i valori nutrizionali, l'aspetto e il gusto. La funzione Super Freeze accelera il congelamento degli alimenti freschi e protegge quelli già conservati da un riscaldamento indesiderato. Se occorre congelare molti alimenti insieme, è preferibile impostare la funzione Super Freeze 24 ore prima.
2. Premere il tasto "K4" (impostazione funzione Super Freeze) o accenderlo dall'App, l'icona "F" (funzione Super Freeze) si accende e la funzione è attivata.

i AVVISO

1. L'elettrodomestico esce dalla "funzione Super Freeze" dopo essere rimasto nella "funzione Super Freeze" per 50 ore o dopo aver premuto il tasto "K4" quando l'icona "F" (funzione Super Freeze) è accesa o spegnendolo dall'App.
2. Nello stato di Super Freeze, se si regola la temperatura del comparto congelatore, l'icona "F" (funzione Super Freeze) lampeggia ad indicare che questa operazione non può essere effettuata.

Funzione Holiday

La funzione Holiday può essere utilizzata per ridurre il consumo energetico dell'elettrodomestico quando non viene utilizzato regolarmente. Quando la funzione è attiva, il frigorifero è spento, mentre il congelatore continuerà a funzionare normalmente. La funzione imposta la temperatura del frigorifero in modo permanente a 17°C.

Consente di mantenere chiuso lo sportello del frigorifero vuoto senza che si sviluppino odori o muffe durante una lunga assenza (es. durante le vacanze). Il comparto congelatore è indipendente da questa impostazione.

1. Premere il tasto "K5" (funzione Holiday on/off) o selezionare la funzione dall'App, l'icona "G" (funzione Holiday) si illumina e la funzione è attivata.



2. La funzione può essere disattivata premendo nuovamente il tasto "K5" (funzione Holiday on/off) o impostando la temperatura del frigorifero oppure eseguendo una qualsiasi altra impostazione o infine spegnendola dall'App.

AVVISO

1. Con la funzione Holiday attiva non conservare gli alimenti nel comparto frigorifero. La temperatura di 17 °C è eccessiva per la conservazione degli alimenti.
2. Quando la funzione Holiday è attiva, l'icona My Zone rimane spenta e la funzione frigorifero è bloccata. Se si regola la temperatura del comparto frigorifero, l'icona "G" (funzione Holiday) lampeggia a indicare che questa operazione non può essere effettuata.

Funzione Eco Mode

È possibile attivare la Eco Mode per ottimizzare le prestazioni dell'elettrodomestico, garantendo al tempo stesso la migliore conservazione degli alimenti. In assenza di esigenze particolari, è preferibile utilizzare la funzione Eco Mode.

In questa modalità la temperatura del frigorifero è di 5°C, la temperatura del congelatore è di -18°C.

1. Premere il tasto "K6" (funzionamento della Eco Mode on/off) o selezionare la funzione dall'App.
2. L'icona "H" (funzionamento della Eco Mode) è accesa e la funzione è attivata. Ripetendo la procedura precedente o selezionando un'altra funzione oppure spegnendo dall'App, questa funzione può essere nuovamente disattivata. Vengono ripristinati i livelli di raffreddamento precedentemente impostati.

AVVISO

Con la funzione Eco Mode, se si regola la temperatura dei comparti frigo/congelatore, l'icona "H" (funzione Eco Mode) lampeggia a indicare che questa operazione non può essere effettuata.

Passo 1 Scaricare l'applicazione hOn dagli store.



Passo 2 Creare un account nell'app hOn o accedere se esiste già un account.

Passo 3 Per l'accoppiamento, seguire le istruzioni dell'app hOn.

Funzione Wi-Fi

1. Seguire le istruzioni dell'App per configurare la funzione Wi-Fi.
2. Una volta configurata la funzione Wi-Fi e stabilita la connessione, l'icona Wi-Fi "I" rimane sempre accesa.
3. Se il Wi-Fi è già stato configurato, una volta acceso si riconnette automaticamente in base ai dati di configurazione.

AVVISO

1. Per disattivare il Wi-Fi premere il tasto "K7"; in questo modo l'icona Wi-Fi "I" si spegne.
2. Per attivare il Wi-Fi e avviare la configurazione, premere il tasto "K7"; in questo modo l'icona Wi-Fi "I" inizia a lampeggiare lentamente. Se si desidera configurare la funzione Wi-Fi, tenere premuto il tasto "K7" per 3 secondi; in questo modo l'icona Wi-Fi lampeggia velocemente ed entra in modalità di configurazione. Se si desidera disattivare la funzione Wi-Fi, premere una volta il tasto "K7". I passaggi precedenti vengono ripetuti.
3. Se il prodotto è stato configurato e la funzione Wi-Fi è stata disattivata, il frigorifero non entra in modalità di configurazione dopo aver ricollegato l'alimentazione.

AVVISO

1. Questo prodotto non è destinato all'uso commerciale.
2. Potenza massima di uscita RF: 2,4 GHz Wi-Fi: 16 dBm;



3. Bluetooth® Low Energy: 5 dBm; Bluetooth® (BR/EDR): 10 dBm.
4. Banda di frequenza operativa: 2400-2483,5 MHz.

Il marchio e i loghi Bluetooth® sono marchi registrati, di proprietà di Bluetooth SIG, Inc. e qualsiasi utilizzo di tali marchi da parte di Candy Hoover Group SRL avviene su licenza. Gli altri marchi e nomi commerciali appartengono ai rispettivi proprietari.

Conservazione nel vano frigorifero

- Mantenere nel frigorifero una temperatura inferiore a 5 °C.
- Lasciare raffreddare gli alimenti caldi fino a quando raggiungono la temperatura ambiente prima di conservarli nell'elettrodomestico.
- Lavare e asciugare gli alimenti prima di conservarli nel frigorifero.
- Per evitare alterazioni dell'odore o del sapore, sigillare adeguatamente gli alimenti da conservare.
- Non conservare alimenti in quantità eccessiva. Per un raffreddamento migliore e più omogeneo, lasciare spazio tra gli alimenti per consentire il passaggio dell'aria fredda.
- È preferibile conservare nella parte anteriore del ripiano gli alimenti consumati quotidianamente.
- Lasciare spazio tra gli alimenti e le pareti interne, per facilitare il passaggio dell'aria. In ogni caso, non riporre gli alimenti a contatto con la parete posteriore, perché potrebbero congelarsi. Evitare il contatto diretto degli alimenti (soprattutto cibi oleosi o acidi) con il rivestimento interno, poiché olio/acido possono erodere il rivestimento interno. Pulire immediatamente lo sporco oleoso o acido.
- Gli alimenti congelati possono essere scongelati gradualmente nello scomparto frigorifero. In questo modo si risparmia energia.
- Il processo di invecchiamento di frutta e verdura come zucchine, meloni, papaia, banane, ananas ecc. può essere accelerato nel frigorifero. Per tale motivo, è sconsigliabile conservare questi alimenti nel frigorifero. Un breve periodo di conservazione in frigorifero, tuttavia, può accelerare la maturazione di frutti molto acerbi. Conservare a temperatura ambiente anche cipolle, aglio, zenzero e altri tuberi.
- Eventuali odori sgradevoli all'interno del frigorifero indicano che qualcosa si è rovesciato ed è necessario pulire l'elettrodomestico. Vedere Cura e pulizia.
- È preferibile collocare alimenti diversi in aree diverse, a seconda delle loro proprietà.

Conservazione nel vano congelatore

- Nel congelatore mantenere la temperatura di -18 °C.
- 24 ore prima del congelamento, attivare la funzione Super-Freeze. Per piccole quantità di cibo sono sufficienti 4-6 ore.
- Lasciare raffreddare gli alimenti caldi fino a quando raggiungono la temperatura ambiente prima di conservarli nel comparto congelatore.
- Gli alimenti tagliati in piccole porzioni si congelano e si scongelano più rapidamente. Il peso consigliato per ogni porzione è inferiore a 2,5 kg

- È preferibile confezionare gli alimenti prima di collocarli nel congelatore. Per evitare che i sacchetti si attacchino tra loro, la parte esterna della confezione deve essere asciutta. I materiali per il confezionamento devono essere inodori, ermetici, non velenosi e non tossici.
- Per evitare di superare la scadenza dei periodi di conservazione, annotare sulla confezione la data di congelamento, il limite di tempo e il nome dell'alimento in base ai periodi di conservazione dei vari alimenti.



AVVERTENZA!

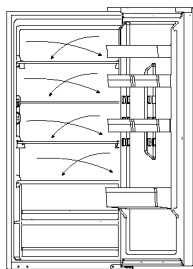
- ▶ Acidi, alcali, sale ecc. potrebbero corrodere la superficie interna del congelatore.
- ▶ Non collocare alimenti con tali sostanze (ad es. pesce di mare) a contatto diretto con la superficie interna. Eliminare immediatamente l'acqua salata dal congelatore.
- ▶ Non superare i tempi di conservazione degli alimenti consigliati dai produttori. Estrarre dal congelatore solo la quantità di alimenti necessaria.
- ▶ Consumare rapidamente gli alimenti scongelati. Gli alimenti scongelati non possono essere ricongelati, a meno che non vengano cotti.
- ▶ Non caricare troppi alimenti freschi nel vano congelatore. Fare riferimento alla capacità di congelamento del congelatore - Vedere DATI TECNICI o controllare i dati sulla targhetta.
- ▶ Gli alimenti possono essere conservati nel congelatore a una temperatura di almeno -18 °C per 2-12 mesi, a seconda delle loro proprietà (ad es. carne): 3-12 mesi, verdure: 6-12 mesi)
- ▶ Quando si congelano alimenti freschi, evitare che entrino a contatto con alimenti già congelati. In caso contrario, potrebbero scongelarsi.

Quando si conservano alimenti surgelati, attenersi alle linee guida indicate di seguito:

- Per il tempo di conservazione degli alimenti, attenersi sempre alle linee guida dei produttori. Non ignorare queste linee guida!
- Ridurre il più possibile il tempo tra l'acquisto e la conservazione per preservare la qualità degli alimenti.
- Acquistare alimenti congelati conservati a una temperatura di -18°C o inferiore.
- Evitare di acquistare alimenti con ghiaccio o brina sulla confezione, in quanto potrebbero essere stati parzialmente scongelati e ricongelati; l'aumento della temperatura riduce la qualità degli alimenti.

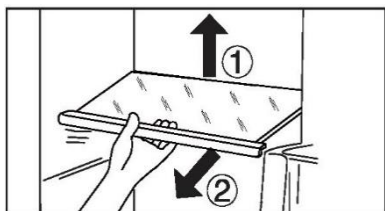
i AVVISO

A causa dei diversi modelli, il prodotto potrebbe non essere dotato di tutte le caratteristiche riportate di seguito. Fare riferimento al capitolo relativo alla descrizione del prodotto.



Flusso d'aria multiplo

Il frigorifero è dotato di un sistema con flusso d'aria multiplo, grazie al quale flussi di aria fresca investono tutti i ripiani. Ciò facilita il mantenimento di una temperatura uniforme per garantire la freschezza degli alimenti per un periodo maggiore.



Scaffale regolabile

1. L'altezza dei ripiani può essere regolata in base alle esigenze.
2. Per spostare un ripiano, rimuoverlo sollevandone il bordo posteriore ① ed estrarlo ②.
3. Per reinstallarlo, collocarlo sulle alette su entrambi i lati e spingerlo dentro fino in fondo in modo che la parte posteriore del ripiano sia fissata all'interno delle feritoie laterali.

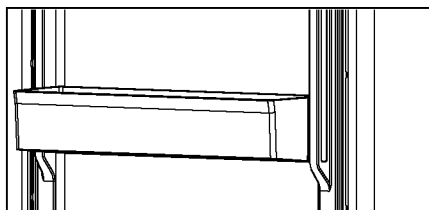
i AVVISO

Accertarsi che tutte le estremità del ripiano siano a livello.

Vassoio sporgente dello sportello rimovibile

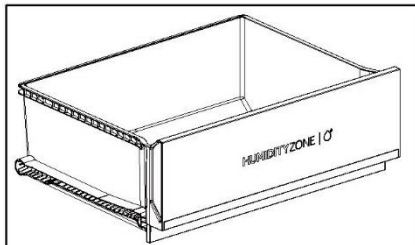
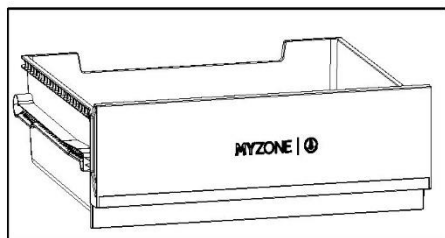
Il vassoio sporgente dello sportello porta può essere rimosso per la pulizia:

Tenere con le mani entrambi i lati del vassoio sporgente, sollevarlo (1) ed estrarlo (2). Per inserire il vassoio sporgente dello sportello, seguire la procedura inversa.



Cassetto My Zone

Per l'utilizzo e l'impostazione del comparto My Zone, consultare la sezione UTILIZZO (My Zone).



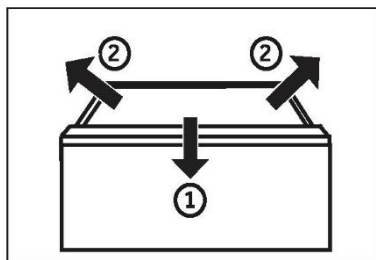
Cassetto Humidity Zone

In questo comparto il livello di umidità viene controllato automaticamente dal sistema ed è adatto alla conservazione di frutta, verdura, insalata ecc.

Cassetto rimovibile

Per rimuovere il cassetto dal comparto frigorifero o congelatore, estrarlo al massimo (1), sollevarlo e toglierlo (2).

Per inserire il cassetto, seguire la procedura inversa.



Cassetto del congelatore

Il cassetto del congelatore può essere estratto orizzontalmente in modo completo. È montato su guida telescopica easy roll, in modo da poter conservare e rimuovere comodamente i prodotti congelati. Grazie al meccanismo di chiusura automatica dello sportello, i cassetti del congelatore sono facili da utilizzare e permettono di risparmiare energia.



AVVERTENZA!

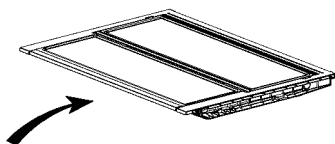
Non sovraccaricare i cassetti: Carico massimo per ciascun cassetto: 35 kg.

Illuminazione

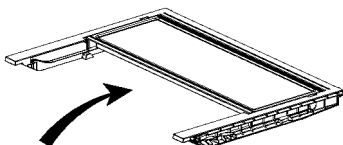
La luce interna a LED si accende quando si apre lo sportello. Le prestazioni delle luci non dipendono da altre impostazioni dell'elettrodomestico.

Ripiano pieghevole

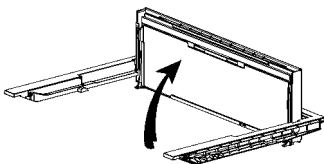
Il ripiano pieghevole consente all'utente di posizionare bottiglie o oggetti alti sugli scaffali. Il ripiano può essere ripiegato sul retro; lo spazio disponibile del ripiano inferiore sarà maggiore. Il ripiano può essere ripiegato seguendo i passaggi 1-3. Se si desidera tornare alla posizione originale, invertire le seguenti procedure.



Passo 1: spingere lentamente la parte anteriore dello scaffale fino in fondo.



Passo 2: spingere lentamente il ripiano verso l'alto fino alla sua posizione verticale.



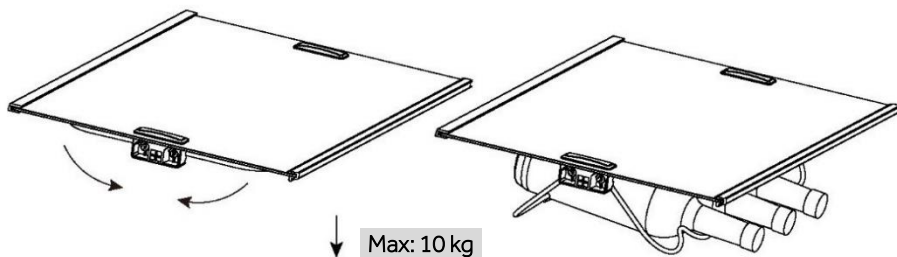
Passo 3: il ripiano è verticale. Consente di risparmiare spazio.

Portavini pieghevole

Usò normale

1. Abbassare le staffe del portavini
2. Sistemare le bottiglie nella rastrelliera

Quando non viene utilizzato, il portavini può essere ripiegato per risparmiare spazio.





Suggerimenti per il risparmio energetico

- ▶ Accertarsi che l'elettrodomestico sia adeguatamente ventilato (v. INSTALLAZIONE).
- ▶ Non installare l'elettrodomestico esposto alla luce diretta del sole o in prossimità di fonti di calore (ad es. stufe o radiatori).
- ▶ Evitare che la temperatura dell'elettrodomestico sia inutilmente bassa. Il consumo energetico aumenta con la diminuzione della temperatura impostata nell'elettrodomestico.
- ▶ Funzioni come SUPER FREEZE consumano più energia.
- ▶ Attendere che gli alimenti caldi si raffreddino prima di collocarli nell'elettrodomestico.
- ▶ Aprire lo sportello dell'elettrodomestico senza spalancarlo e per il più breve tempo possibile.
- ▶ Per evitare ostruzioni del flusso d'aria, non riempire eccessivamente l'elettrodomestico.
- ▶ Evitare l'ingresso di aria nelle confezioni di alimenti.
- ▶ Mantenere pulite le guarnizioni dello sportello in modo che si chiuda sempre perfettamente.
- ▶ Scongelare i cibi congelati nel comparto frigorifero oppure usare la funzione D-Frost nel cassetto My Zone.
- ▶ Per ottimizzare il risparmio energetico, collocare nell'elettrodomestico i cassetti, i contenitori degli alimenti e i ripiani, e riporre gli alimenti senza ostruire l'uscita dell'aria del condotto.



AVVERTENZA!

Pulizia

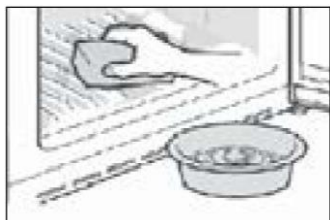
Pulire l'elettrodomestico quando è vuoto o contiene pochi alimenti.

Per una corretta manutenzione e per evitare cattivi odori degli alimenti conservati, pulire l'elettrodomestico ogni quattro settimane.



AVVERTENZA!

- ▶ Non pulire l'elettrodomestico con spazzole rigide, spazzole metalliche, detersivi in polvere, benzina, acetato di pentile, acetone e soluzioni organiche simili, soluzioni acide o alcaline. Per la pulizia adoperare un detergente speciale per frigoriferi per evitare danni.
- ▶ Non spruzzare o schizzare liquidi sull'elettrodomestico durante la pulizia.
- ▶ Per pulire questo elettrodomestico non utilizzare apparecchi a vapore.
- ▶ Non pulire i ripiani di vetro freddi con acqua calda. Un'improvvisa variazione della temperatura può causare la rottura del vetro.
- ▶ Non toccare la superficie interna del comparto congelatore, soprattutto con le mani bagnate, poiché le mani potrebbero congelarsi sulla superficie.
- ▶ Se la temperatura aumenta, controllare lo stato degli alimenti congelati.



- ▶ Tenere sempre pulita la guarnizione dello sportello.
- ▶ Pulire l'interno e l'alloggiamento dell'elettrodomestico con una spugna imbevuta di acqua calda e detergente neutro.
- ▶ 1. Strofinare l'interno e l'esterno del frigorifero (compresi la guarnizione dello sportello, il cassetto incassato nello sportello, i ripiani di vetro, i comparti ecc.) con un panno morbido o una spugna imbevuta di acqua calda (è possibile aggiungere un detergente neutro).
- ▶ 2. In presenza di liquidi versati, rimuovere tutte le parti contaminate, sciacquarle sotto l'acqua corrente, asciugarle e ricollocarle nel frigorifero.
- ▶ 3. In caso di versamenti di alimenti cremosi (ad es. panna o gelato sciolto), rimuovere tutte le parti contaminate, lasciarle un po' di tempo in acqua calda a circa 40 °C, poi sciacquarle sotto l'acqua corrente, asciugarle e ricollocarle nel frigorifero.
- ▶ 4. Nel caso in cui rimangano intrappolati piccoli oggetti all'interno del frigorifero (tra i ripiani o i cassette), toglierli con una spazzolina morbida. Se non si riesce a raggiungere l'oggetto, rivolgersi all'assistenza Haier
- ▶ Sciacquare e asciugare con un panno morbido.
- ▶ Non lavare i componenti dell'elettrodomestico in lavastoviglie.
- ▶ Attendere almeno 5 minuti prima di riavviare l'elettrodomestico, poiché un avvio frequente può danneggiare il compressore.



Sbrinamento

Lo sbrinamento del frigorifero e del comparto congelatore avviene automaticamente; non è necessaria alcuna operazione manuale.

Sostituzione delle lampade a LED



AVVERTENZA!

La lampada a LED deve essere sostituita solo dal produttore o da un tecnico dell'assistenza autorizzato.

La lampada utilizza una sorgente luminosa a LED che riduce i consumi energetici e garantisce una lunga durata. In caso di anomalie, rivolgersi all'assistenza clienti. V. ASSISTENZA CLIENTI.

Parametri delle lampade:

Parte	Lampada a LED
Tensione	12 V
Potenza massima	1,5 W
Specifiche LED	Bianco-2835
Classe di efficienza LED	G
Temperatura di utilizzo	-40~80°C

Inutilizzo per lunghi periodi

Se l'elettrodomestico non verrà adoperato per lunghi periodi e non verrà utilizzata la funzione Holiday per il frigorifero:

Estrarre gli alimenti.

Scollegare il cavo di alimentazione.

Pulire l'elettrodomestico come descritto in precedenza.

Lasciare aperti gli sportelli per evitare la produzione di cattivi odori all'interno.



AVVISO

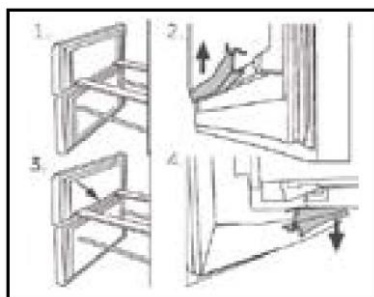
Spegnere l'elettrodomestico solo se è strettamente necessario.

Guarnizioni ausiliarie dello sportello rimovibili

Vi sono sei guarnizioni ausiliarie dello sportello sui cassetti superiore e inferiore del congelatore.

1. Individuare le cinque guarnizioni dello sportello indicate sui cassetti superiore e inferiore del congelatore.
2. Assicurarsi che le fette piegate delle guarnizioni siano rivolte verso l'interno durante il fissaggio.
3. Individuare la guarnizione inferiore del cassetto superiore come indicato.
4. Assicurarsi che la fetta piegata di questa guarnizione sia rivolta verso il basso durante il fissaggio.

È possibile procurarsi queste guarnizioni e le guarnizioni dello sportello/cassetto girevole tramite il servizio clienti (v. scheda della garanzia).



Spostamento dell'elettrodomestico

1. Togliere tutti gli alimenti e staccare la spina dell'elettrodomestico.
2. Fissare con nastro adesivo i ripiani e gli altri componenti mobili presenti nel frigorifero e nel congelatore.
3. Non inclinare il frigorifero oltre 45°, altrimenti il sistema di refrigerazione potrebbe danneggiarsi.



AVVERTENZA!

- ▶ Non sollevare l'elettrodomestico tenendolo per le maniglie dello sportello.
- ▶ Non collocare mai l'elettrodomestico orizzontalmente a terra.



Molti problemi possono essere risolti personalmente senza particolari competenze. In caso di problemi, consultare tutte le soluzioni possibili indicate e attenersi alle seguenti istruzioni prima di contattare l'assistenza post-vendita. V. ASSISTENZA CLIENTI.



AVVERTENZA!

- ▶ Prima di effettuare la manutenzione dell'elettrodomestico, spegnerlo e staccare la spina dalla presa di corrente.
- ▶ La manutenzione delle apparecchiature elettriche deve essere effettuata solo da elettricisti qualificati, dal momento che eventuali riparazioni improprie possono causare danni notevoli.
- ▶ Se il cavo di alimentazione è danneggiato, deve essere sostituito unicamente dal produttore, da un tecnico dell'assistenza o da una persona con analogha qualifica per evitare rischi.

Tabella per la risoluzione dei problemi

Problema	Causa possibile	Soluzione possibile
Il compressore non funziona.	La spina non è collegata alla presa di corrente.	Collegare la spina alla presa di corrente.
	L'elettrodomestico sta effettuando il ciclo di sbrinamento.	Ciò è normale per lo sbrinamento automatico.
L'elettrodomestico si aziona frequentemente o per un periodo di tempo troppo lungo.	La temperatura interna o esterna è troppo elevata.	In questo caso è normale che l'elettrodomestico rimanga in funzione più a lungo.
	L'elettrodomestico è rimasto spento per un certo periodo di tempo.	Il raffreddamento completo dell'elettrodomestico normalmente richiede 8-12 ore.
	Uno sportello o un cassetto dell'elettrodomestico non è chiuso bene.	Chiudere lo sportello o il cassetto e accertarsi che l'elettrodomestico sia a livello e che gli alimenti o i contenitori non urtino lo sportello.
	Lo sportello o il cassetto è stato aperto troppo spesso o troppo a lungo.	Non aprire lo sportello o il cassetto troppo spesso.
	L'impostazione della temperatura del comparto congelatore è troppo bassa.	Scegliere un'impostazione della temperatura più alta fino a quando la temperatura del frigorifero è soddisfacente. Per stabilizzare la temperatura del frigorifero occorrono 24 ore.
	Le guarnizioni dello sportello o del cassetto sono sporche, usurate, danneggiate o inadeguate.	Pulire la guarnizione dello sportello o del cassetto o farla sostituire dall'assistenza clienti.
	Non è garantita la circolazione dell'aria necessaria.	Garantire un'adeguata ventilazione.

Problema	Causa possibile	Soluzione possibile
L'interno del frigorifero è sporco e/o si sentono cattivi odori.	L'interno del frigorifero deve essere pulito.	Pulire la parte interna del frigorifero.
	In frigorifero vengono conservati alimenti che producono un odore intenso.	Avvolgere completamente gli alimenti.
La temperatura nell'elettrodomestico non è sufficientemente bassa.	La temperatura impostata è troppo alta.	Reimpostare la temperatura
	Sono stati conservati cibi troppo caldi.	Gli alimenti devono essere sempre raffreddati prima di conservarli.
	Sono stati collocati troppi alimenti contemporaneamente.	Non conservare troppi alimenti.
	Gli alimenti sono troppo vicini tra loro.	Lasciare spazio tra i vari alimenti per consentire il passaggio del flusso d'aria.
	Uno sportello o un cassetto dell'elettrodomestico non è chiuso bene.	Chiudere lo sportello o il cassetto.
	Lo sportello o il cassetto è stato aperto troppo spesso o troppo a lungo.	Non aprire lo sportello o il cassetto troppo spesso.
La temperatura nell'elettrodomestico è troppo bassa.	La temperatura impostata è troppo bassa.	Reimpostare la temperatura.
	La funzione Super Freeze rimane in funzione troppo a lungo.	Disattivare la funzione Super Freeze.
Formazione di umidità all'interno del comparto frigorifero.	Il clima è troppo caldo e troppo umido.	Aumentare la temperatura.
	Uno sportello o un cassetto dell'elettrodomestico non è chiuso bene.	Chiudere lo sportello o il cassetto.
	Lo sportello o il cassetto è stato aperto troppo spesso o troppo a lungo.	Non aprire lo sportello o il cassetto troppo spesso.
	Contenitori per alimenti o liquidi rimasti aperti.	Lasciare raffreddare gli alimenti caldi a temperatura ambiente e coprire cibi e liquidi.
Accumulo di umidità sul frigorifero sulla superficie esterna o tra gli sportelli e il cassetto.	Il clima è troppo caldo e troppo umido.	Ciò è normale in un clima umido; la situazione cambia quando l'umidità diminuisce.
	Lo sportello o il cassetto non è chiuso perfettamente.	Accertarsi che lo sportello o il cassetto sia chiuso bene.
Presenza di molto ghiaccio e brina nel vano congelatore.	Gli alimenti non sono stati confezionati adeguatamente.	Confezionare sempre gli alimenti.
	Lo sportello o il cassetto è stato aperto troppo spesso o troppo a lungo.	Non aprire lo sportello o il cassetto troppo spesso.
	Le guarnizioni dello sportello o del cassetto sono sporche, usurate, danneggiate o inadeguate.	Pulire la guarnizione dello sportello o del cassetto oppure sostituirla.
	Qualcosa all'interno impedisce la chiusura corretta dello sportello o del cassetto.	Risistemare i ripiani, i cassetti incassati nello sportello o i contenitori interni per consentire la chiusura dello sportello o del cassetto.



Problema	Causa possibile	Soluzione possibile
L'elettrodomestico emette suoni anomali.	L'elettrodomestico non è a livello.	Regolare i piedini per collocare l'elettrodomestico a livello.
	L'elettrodomestico urta qualche oggetto vicino.	Rimuovere gli oggetti attorno all'elettrodomestico.
Si sente un lieve rumore, simile a quello dell'acqua che scorre.	È normale.	/
Viene emesso un allarme acustico.	Lo sportello del vano frigorifero è aperto.	Chiudere lo sportello o tacitare manualmente l'allarme.
Viene emesso un lieve sibilo.	È in funzione il sistema anticondensa.	Ciò evita la formazione di condensa ed è normale.
L'illuminazione interna o il sistema di raffreddamento non funziona.	La spina non è collegata alla presa di corrente	Collegare la spina alla presa di corrente.
	Problema della fonte di alimentazione.	Controllare l'alimentazione elettrica. Chiamare l'azienda elettrica locale.
	La lampada a LED è fuori uso.	Chiamare l'assistenza per la sostituzione.
I lati del vano e la striscia dello sportello si riscaldano.	È normale.	/
Non esce acqua dal beccuccio erogatore	Il blocco non è disattivato.	Disattivare il blocco.



Interruzione della corrente

- ▶ In caso di interruzione della corrente, gli alimenti dovrebbero rimanere freddi in maniera sicura per circa 13 ore. Durante un'interruzione prolungata della corrente, soprattutto in estate, attenersi ai suggerimenti che seguono.
- ▶ In caso di interruzione della corrente, non collocare altri alimenti nell'elettrodomestico.
- ▶ Se viene fornito un preavviso di interruzione della corrente di durata superiore a 13 ore, produrre dei cubetti di ghiaccio e collocarli in un contenitore nello scaffale superiore del comparto frigorifero.
- ▶ Dopo l'interruzione della corrente, è indispensabile controllare immediatamente gli alimenti.
- ▶ Siccome la temperatura nel frigorifero aumenta durante un'interruzione della corrente o in caso di altri guasti, il periodo di conservazione e la commestibilità degli alimenti si riducono. Per evitare rischi per la salute, gli alimenti che si scongelano devono essere immediatamente consumati oppure cotti e ricongelati (se possibile).



AVVISO

Funzione di memoria durante un'interruzione di corrente

Al ripristino della corrente, l'elettrodomestico riprende il funzionamento in base alle impostazioni precedenti.

Per rivolgersi all'assistenza tecnica, visitare il nostro sito web:

<https://corporate.haier-europe.com/en/>

Nella sezione "sito Web", scegliere la marca del proprio prodotto e il proprio paese. Si aprirà il sito Web specifico contenente il numero di telefono e altre modalità per contattare l'assistenza tecnica.

Disimballo



AVVERTENZA!

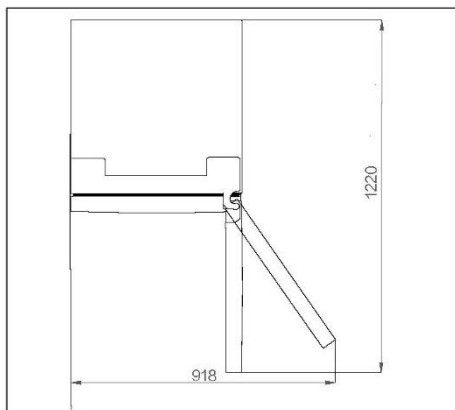
- ▶ L'elettrodomestico è pesante. Per spostarlo occorrono almeno due persone.
- ▶ Tenere fuori dalla portata dei bambini tutti i materiali di imballaggio e smaltirli nel rispetto dell'ambiente.
- ▶ Estrarre l'elettrodomestico dall'imballo.
- ▶ Togliere tutti i materiali di imballo.

Condizioni ambientali

La temperatura ambiente deve essere sempre compresa tra 10 e 43 °C, poiché può influire sulla temperatura interna dell'elettrodomestico e sui consumi energetici. Non installare l'elettrodomestico vicino ad altri elettrodomestici che emettono calore (forni, frigoriferi) senza isolamento.

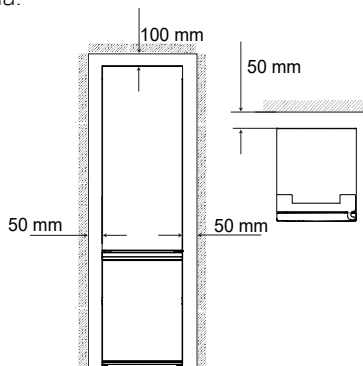
Spazio consigliato

Spazio consigliato quando lo sportello è aperto.



Sezione di ventilazione

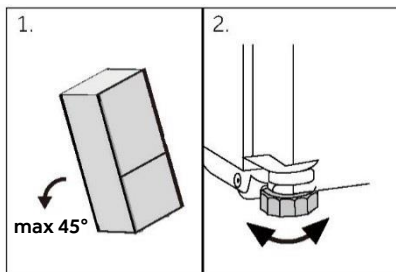
Per una sufficiente ventilazione dell'elettrodomestico, si consiglia di rispettare lo spazio indicato nelle linee guida.

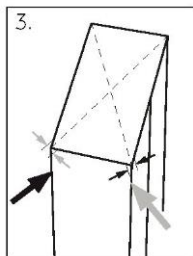


Allineamento dell'elettrodomestico

Installare l'elettrodomestico su una superficie solida e piana.

1. Inclinare leggermente il frigorifero all'indietro.
2. Regolare i piedini all'altezza desiderata. Accertarsi che la distanza dalla parete lato cerniera sia almeno 100 mm affinché lo sportello possa aprirsi correttamente.

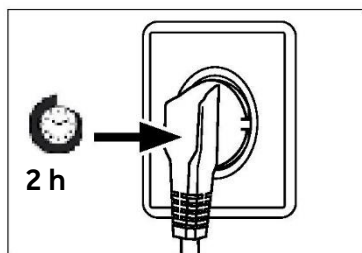




1. La stabilità può essere verificata spingendo diagonalmente l'elettrodomestico a destra e a sinistra. Il lieve ondeggiamento deve essere identico in entrambe le direzioni. In caso contrario, il telaio potrebbe deformarsi e le guarnizioni dello sportello potrebbero perdere. Una lieve inclinazione posteriore facilita la chiusura degli sportelli.

i AVVISO

Per gli elettrodomestici a libera installazione: questo elettrodomestico non è progettato per l'installazione a incasso



Tempo di attesa

L'olio di lubrificazione esente da manutenzione si trova nella capsula del compressore. Questo olio può percorrere il sistema di tubazioni chiuse durante il trasporto. Prima di collegare l'elettrodomestico all'alimentazione elettrica, attendere almeno 2 ore in modo che l'olio torni nella capsula.

Collegamento elettrico

Prima di ogni collegamento, effettuare i seguenti controlli:

- ▶ La fonte di alimentazione, la presa e i fusibili sono conformi ai dati indicati nella targhetta.
- ▶ La presa di corrente è collegata a terra e non sono utilizzate prese multiple o prolunghe.
- ▶ La spina e la presa di corrente sono compatibili.

Collegare la spina a una presa domestica installata correttamente.



AVVERTENZA!

Per evitare rischi, un cavo di alimentazione danneggiato deve essere sostituito dall'assistenza clienti (v. scheda di garanzia).



Reversibilità dello sportello

Prima di collegare l'elettrodomestico all'alimentazione elettrica, controllare se l'apertura dello sportello deve essere invertita da destra (come consegnato) verso sinistra per facilitare l'uso.

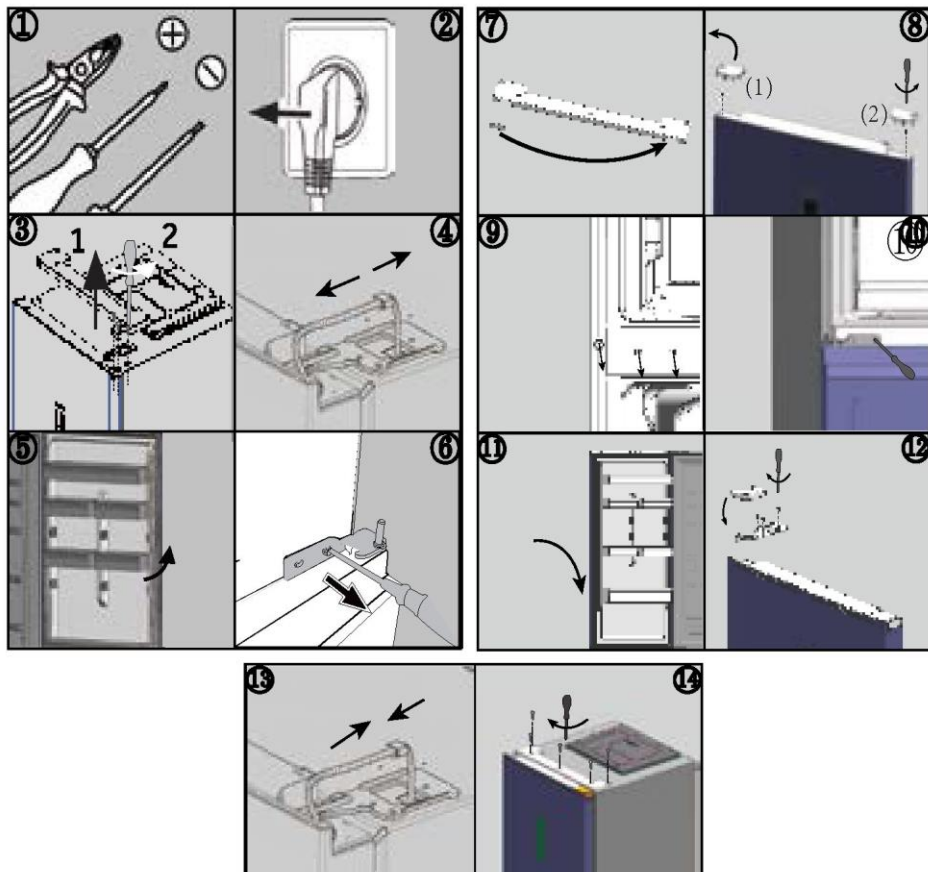


AVVERTENZA!

- ▶ L'elettrodomestico è pesante. Per invertire lo sportello occorrono due persone.
- ▶ Prima di qualunque operazione, scollegare l'elettrodomestico dalla rete elettrica.
- ▶ Non inclinare l'elettrodomestico oltre 45° C per evitare danni al sistema di refrigerazione.

Fasi di montaggio

1. Procurarsi gli utensili necessari.
 2. Staccare la spina dell'elettrodomestico.
 3. Rimuovere il coperchio della cerniera superiore 1 e svitare la cerniera superiore (tre viti) sul lato destro 2.
 4. Staccare il cavo di collegamento.
 5. Sollevare con cautela lo sportello del frigorifero dalla cerniera centrale.
 6. Rimuovere la cerniera centrale.
 7. Rimuovere il piccolo coperchio del pannello frontale da sinistra a destra.
 8. Capovolgere lo sportello e svitare il coperchio (1). Estrarre il nuovo coperchio (2) dal sacchetto degli accessori e avvitarlo sul lato opposto.
 9. Modificare le posizioni dei tappi ciechi e della vite laterale.
 10. Avvitare la cerniera centrale sul lato sinistro dell'elettrodomestico. Fare attenzione ad invertire il perno della cerniera centrale, assicurandosi che il lato con la guarnizione sia rivolto verso l'alto
 11. Sollevare con cautela lo sportello superiore sulla cerniera centrale. Assicurarsi che il perno si inserisca nel cilindro della cerniera dello sportello inferiore.
 12. Estrarre la nuova cerniera superiore e il relativo coperchio dal sacchetto degli accessori. Far passare il cavo di collegamento attraverso la cerniera superiore e fissare quest'ultima con le tre viti sul lato sinistro dell'elettrodomestico. Posizionare il coperchio della cerniera sopra la cerniera.
 13. Inserire il cavo di collegamento.
 14. Sostituire il pannello frontale e fissarlo con cinque viti.
- Dopo la sostituzione dello sportello, verificare che le relative guarnizioni siano posizionate correttamente sull'alloggiamento e che tutte le viti siano ben serrate.



Temperature ambiente

Temperata estesa: questo elettrodomestico è destinato all'uso con temperature ambiente comprese tra 10 °C e 32 °C;

Temperata: questo elettrodomestico è destinato all'uso con temperature ambiente comprese tra 16 °C e 32 °C;

Subtropicale: questo elettrodomestico è destinato all'uso con temperature ambiente comprese tra 16 °C e 38 °C;

Tropicale: questo elettrodomestico è destinato all'uso con temperature ambiente comprese tra 16 °C e 43 °C.



Parametri del prodotto secondo il regolamento (UE)2019/2016

Sulla base dei risultati di test standard per 24 ore. Il consumo energetico effettivo dipende dalla modalità di utilizzo dell'elettrodomestico e dalla sua collocazione

Modello	HTW5618DN*	HTW5620DN*	HTW5618EN*
Tipo di apparecchio di refrigerazione	Frigorifero-congelatore	Frigorifero-congelatore	Frigorifero-congelatore
Classe di efficienza energetica	D	D	E
Consumo energetico annuo (kWh/annum)	217	226	271
Volume comparto frigorifero (L)	201	255	201
Volume comparto congelatore (L)	125	125	125
Volume comparto di refrigerazione (L)	34	34	34
Classe di congelamento	4-star	4-star	4-star
Tipo di scongelamento	Scongelamento automatico	Scongelamento automatico	Scongelamento automatico
Tempo di aumento della temperatura (h)	13	13	11
Capacità di congelamento (kg/24 h)	10,0	10,0	10,0
Classe climatica	SN.N.ST.T	SN.N.ST.T	SN.N.ST.T
Classe di emissione di rumore ed emissioni acustiche aeree (dB(A) re 1pW)	B(35)	B(35)	B(35)



Modello	HTW5618CN*	HTW5620CN*	HTW5620EN*
Tipo di apparecchio di refrigerazione	Frigorifero-congelatore	Frigorifero-congelatore	Frigorifero-congelatore
Classe di efficienza energetica	C	C	E
Consumo energetico annuo (kWh/annum)	173	181	283
Volume comparto frigorifero (L)	201	255	255
Volume comparto congelatore (L)	125	125	125
Volume comparto di refrigerazione (L)	34	34	34
Classe di congelamento	4-star	4-star	4-star
Tipo di scongelamento	Scongelamento automatico	Scongelamento automatico	Scongelamento automatico
Tempo di aumento della temperatura (h)	13	13	11
Capacità di congelamento (kg/24 h)	10,0	10,0	10,0
Classe climatica	SN.N.ST.T	SN.N.ST.T	SN.N.ST.T
Classe di emissione di rumore ed emissioni acustiche aeree (dB(A) re 1pW)	B(35)	B(35)	B(35)



Modello	HDPW5618DN*	HDPW5620DN*	HDPW3620DN*
Tipo di apparecchio di refrigerazione	Frigorifero-congelatore	Frigorifero-congelatore	Frigorifero-congelatore
Classe di efficienza energetica	D	D	D
Consumo energetico annuo (kWh/annum)	214	220	220
Volume comparto frigorifero (L)	201	255	255
Volume comparto congelatore (L)	117	117	117
Volume comparto di refrigerazione (L)	34	34	34
Classe di congelamento	4-star	4-star	4-star
Tipo di scongelamento	Scongelamento automatico	Scongelamento automatico	Scongelamento automatico
Tempo di aumento della temperatura (h)	13	13	11
Capacità di congelamento (kg/24 h)	10,0	10,0	10,0
Classe climatica	SN.N.ST.T	SN.N.ST.T	SN.N.ST.T
Classe di emissione di rumore ed emissioni acustiche aeree (dB(A) re 1pW)	B(35)	B(35)	B(35)



Modello	HDPW3618DN*	HDPW3620CN*	HTW3620DN*
Tipo di apparecchio di refrigerazione	Frigorifero-congelatore	Frigorifero-congelatore	Frigorifero-congelatore
Classe di efficienza energetica	D	D	D
Consumo energetico annuo (kWh/annum)	214	176	226
Volume comparto frigorifero (L)	201	255	255
Volume comparto congelatore (L)	117	117	125
Volume comparto di refrigerazione (L)	34	34	34
Classe di congelamento	4-star	4-star	4-star
Tipo di scongelamento	Scongelamento automatico	Scongelamento automatico	Scongelamento automatico
Tempo di aumento della temperatura (h)	13	13	13
Capacità di congelamento (kg/24 h)	10,0	10,0	10,0
Classe climatica	SN.N.ST.T	SN.N.ST.T	SN.N.ST.T
Classe di emissione di rumore ed emissioni acustiche aeree (dB(A) re 1pW)	B(35)	B(35)	B(35)



Modello	HDPW5618CN*	HDPW5620CN*	HDPW5620AN*
Tipo di apparecchio di refrigerazione	Frigorifero-congelatore	Frigorifero-congelatore	Frigorifero-congelatore
Classe di efficienza energetica	C	C	A
Consumo energetico annuo (kWh/annum)	171	176	114
Volume comparto frigorifero (L)	201	255	255
Volume comparto congelatore (L)	117	117	120
Volume comparto di refrigerazione (L)	34	34	34
Classe di congelamento	4-star	4-star	4-star
Tipo di scongelamento	Scongelamento automatico	Scongelamento automatico	Scongelamento automatico
Tempo di aumento della temperatura (h)	13	13	16
Capacità di congelamento (kg/24 h)	10,0	10,0	10,0
Classe climatica	SN.N.ST.T	SN.N.ST.T	SN.N.ST.T
Classe di emissione di rumore ed emissioni acustiche aeree (dB(A) re 1 pW)	B(35)	B(35)	B(35)

**Dati tecnici supplementari**

Modello	HTW5618DN*	HTW5618EN*	HTW5620DN*
Volume totale (litri)	360	360	414
Tensione/Frequenza	220-240V/50Hz	220-240V/50Hz	220-240V/50Hz
Corrente di ingresso (A)	1.4	1.4	1.4
Fusibile principale (A)	16	16	16
Refrigerante	R600a(53g)	R600a(53g)	R600a(53g)
Dimensioni (L/P/A in mm)	595*667*1850	595*667*1850	595*667*2050

Modello	HTW5618CN*	HTW5620CN*	HTW5620EN*
Volume totale (litri)	360	414	414
Tensione/Frequenza	220~240V/50Hz	220~240V/50Hz	220~240V/50Hz
Corrente di ingresso (A)	1.4	1.4	1.4
Fusibile principale (A)	15	15	16
Refrigerante	R600a(50g)	R600a(50g)	R600a(53g)
Dimensioni (L/P/A in mm)	595*667*1850	595*667*2050	595*667*2050



Modello	HDPW5618DN*	HDPW5620DN*	HDPW3620DN*
Volume totale (litri)	352	406	406
Tensione/Frequenza	220~240V/50Hz	220~240V/50Hz	220~240V/50Hz
Corrente di ingresso (A)	1.4	1.4	1.4
Fusibile principale (A)	16	16	16
Refrigerante	R600a(53g)	R600a(53g)	R600a(53g)
Dimensioni (L/P/A in mm)	595*667*1850	595*667*2050	595*667*2050

Modello	HDPW5618CN*	HDPW5620CN*	HDPW5620AN*
Volume totale (litri)	352	406	409
Tensione/Frequenza	220-240V/50Hz	220-240V/50Hz	220-240V/50Hz
Corrente di ingresso (A)	1.4	1.4	1.4
Fusibile principale (A)	15	15	15
Refrigerante	R600a(50g)	R600a(50g)	R600a(50g)
Dimensioni (L/P/A in mm)	595*667*1850	595*667*2050	595*667*2050



Modello	HDPW5618CN*	HDPW5620CN*	HDPW5620AN*
Volume totale (litri)	352	406	409
Tensione/Frequenza	220~240V/50Hz	220~240V/50Hz	220~240V/50Hz
Corrente di ingresso (A)	1.4	1.4	1.4
Fusibile principale (A)	15	15	16
Refrigerante	R600a(50g)	R600a(50g)	R600a(50g)
Dimensioni (L/P/A in mm)	595*667*1850	595*667*2050	595*667*2050



Si consiglia di rivolgersi all'Assistenza Clienti Haier e di utilizzare ricambi originali. In caso di problemi con l'elettrodomestico, consultare prima la sezione SOLUZIONE DEI PROBLEMI.

Se non si riesce a trovare una soluzione, contattare

- ▶ il rivenditore locale o
- ▶ lo European Call Service-Center (vedere i numeri di telefono elencati di seguito) o
- ▶ l'area Service & Support su www.haier.com dove è possibile chiedere assistenza
- ▶ e trovare risposte a domande frequenti.

Per contattare l'assistenza, procurarsi i dati seguenti.

Le informazioni si trovano sulla targhetta.

Modello _____

N. di serie _____

Controllare anche la scheda di garanzia fornita con il prodotto.

European Call Service-Center		
Paese*	Numero di telefono	Costi
Haier Italy (IT)	199 100 912	
Haier Spain (ES)	902 509 123	
Haier Germany (DE)	0180 5 39 39 99	<ul style="list-style-type: none"> • 14 cent/min su linea fissa • max 42 cent/min su linea mobile
Haier Austria (AT)	0820 001 205	<ul style="list-style-type: none"> • 14,53 cent/min su linea fissa • max 20 cent/min su altre linee
Haier United Kingdom (UK)	0333 003 8122	
Haier France (FR)	0980 406 409	



* Per altri paesi. fare riferimento al sito www.haier.com
Haier Europe Trading S.r.l
Filiale Regno Unito
Westgate House, Westgate, Ealing
London, W5 1YY

*Durata della garanzia dell'elettrodomestico:
Garanzia minima: 2 anni per i paesi UE, 3 anni per la Turchia, 1 anno per il Regno Unito, 1 anno per la Russia, 3 anni per la Svezia, 2 anni per la Serbia, 5 anni per la Norvegia, 1 anno per il Marocco, 6 mesi per l'Algeria; per la Tunisia non è obbligatoria alcuna garanzia legale.

*Periodo di disponibilità dei pezzi di ricambio per la riparazione dell'elettrodomestico:
termostati, sensori di temperatura, circuiti stampati e lampade rimangono disponibili per almeno sette anni dopo l'immissione sul mercato dell'ultima unità del modello. Maniglie e cerniere degli sportelli, vassoi e cestelli rimangono disponibili per almeno di sette anni e le guarnizioni degli sportelli per almeno dieci anni dopo l'immissione sul mercato dell'ultima unità del modello.

*Per ulteriori informazioni sul prodotto, consultare <https://eprel.ec.europa.eu/> o effettuare una scansione del codice QR apposto sull'etichetta fornita con l'elettrodomestico.



Haier

2023 Versione A



0060534356

<u>373 Veiligheidsinformatie</u>	Voor het eerste gebruik	374
	Installatie	374
	Dagelijks gebruik	375
<u>378 Beoogd gebruik</u>		
<u>379 Productbeschrijving</u>		
<u>383 Bedieningspaneel</u>		
<u>384 Gebruik</u>	De koelkasttemperatuur aanpassen	385
	De vriezertemperatuur aanpassen	385
	De temperatuur voor My Zone aanpassen	385
	Super Cool-functie	386
	Super Freeze-functie	387
<u>392 Apparatuur</u>		
<u>396 Tips voor energiebesparing</u>		
<u>397 Onderhoud en reiniging</u>		
<u>400 Problemen oplossen</u>		
<u>404 Installatie</u>		
<u>408 Technische gegevens</u>		
<u>414 Klantenservice</u>		

Klik op de inhoud om de gedetailleerde informatie te bekijken.





Bedankt voor de aankoop van dit Haier-product.

Lees deze instructies zorgvuldig door voordat u dit apparaat gebruikt. De instructies bevatten belangrijke informatie die u helpt het beste uit het apparaat te halen en veilige en correcte installatie, gebruik en onderhoud te waarborgen.

Bewaar deze handleiding op een handige plaats zodat u hem altijd kunt raadplegen voor een veilig en correct gebruik van het apparaat.

Als u het apparaat verkoopt, weggeeft of achterlaat wanneer u verhuist, zorg er dan voor dat u deze handleiding ook overdraagt, zodat de nieuwe eigenaar het apparaat en de veiligheidswaarschuwingen kan leren kennen.

Accessoires

Controleer de accessoires en literatuur in overeenstemming met deze lijst:

			
Eierrekje	Energie-etiket	Garantiekaart	Gebruikershandleiding
			
Ijsblokjesbakje	Deurscharnieren	Scharnierafdekking	Dop

**WAARSCHUWING – Belangrijke veiligheidsinformatie****LET OP – Algemene informatie en tips****Milieu-informatie****Verwijdering**

Help het milieu en de menselijke gezondheid te beschermen. Doe de verpakking in de daarvoor bestemde containers om deze te recyclen. Help het afval van elektrische en elektronische apparaten te recyclen. Gooi apparaten met dit symbool niet weg bij het huisvuil. Lever het product in bij uw plaatselijke recyclingfaciliteit of neem contact op met uw gemeentekantoor.

**WAARSCHUWING!**

Gevaar voor letsel of verstikking!

Koelmiddelen en gassen moeten professioneel worden verwijderd. Controleer of de leidingen van het koelmiddelcircuit niet zijn beschadigd voordat ze op de juiste manier worden afgevoerd. Haal de stekker van het apparaat uit het stopcontact. Knip het netsnoer af en gooi het weg. Verwijder de bakken en laden en de deurvergrendeling en -afdichtingen, om te voorkomen dat kinderen en huisdieren in het apparaat worden opgesloten.



Lees voordat u het apparaat voor het eerst inschakelt de volgende veiligheidstips:



WAARSCHUWING!

Voor het eerste gebruik

- ▶ Controleer of er geen transportschade is.
- ▶ Verwijder alle verpakkingsmaterialen en houd ze buiten het bereik van kinderen.
- ▶ Wacht ten minste twee uur voordat u het apparaat installeert, om er zeker van te zijn dat het koelmiddelcircuit volledig werkt.
- ▶ Verplaats het apparaat altijd met ten minste twee personen, het is namelijk zwaar.

Installatie

- ▶ Het apparaat moet op een goed geventileerde plaats worden geplaatst. Zorg voor een ruimte van ten minste 10 cm boven en rond het apparaat.
- ▶ Plaats het apparaat nooit in een vochtige ruimte of op een plaats waar het met water kan worden bespat. Reinig en droog waterspatten en vlekken met een zachte, schone doek.
- ▶ Installeer het apparaat niet in direct zonlicht of in de buurt van warmtebronnen (bijv. kachels, verwarmingstoestellen).
- ▶ Installeer het apparaat waterpas op een plaats die geschikt is voor de grootte en het gebruik ervan.
- ▶ Zorg ervoor dat de ventilatieopeningen in het apparaat of in de ingebouwde constructie open blijven.
- ▶ Controleer of de elektrische informatie op het typeplaatje overeenkomt met de stroomvoorziening. Als dat niet het geval is, neem dan contact op met een elektricien.
- ▶ Het apparaat wordt gebruikt met een voeding van 220–240 VAC/50 Hz. Abnormale spanningsschommelingen kunnen ertoe leiden dat het apparaat niet start of dat de temperatuurregeling of de compressor beschadigd raakt of dat er tijdens het gebruik een abnormaal geluid optreedt. In dat geval moet er een automatische regelaar worden gemonteerd.
- ▶ Gebruik geen stekkerdozen en verlengkabels.
- ▶ Plaats niet meerdere draagbare stopcontacten of draagbare voedingen op de achterkant van het apparaat.
- ▶ Zorg ervoor dat de stroomkabel niet bekneld zit door de koelkast. Ga niet op de stroomkabel staan.



WAARSCHUWING!

- ▶ Gebruik een apart geaard stopcontact voor de stroomvoorziening, dat gemakkelijk toegankelijk is. Het apparaat moet geaard zijn.
Alleen voor het Verenigd Koninkrijk: Het netsnoer van het apparaat is voorzien van een 3-aderige (geaarde) stekker die past op een standaard 3-aderig (geaard) stopcontact. De derde pin (aarding) mag nooit worden afgesneden of gedemonteerd. Nadat het apparaat is geïnstalleerd, moet de stekker bereikbaar zijn.
- ▶ Beschadig het koelcircuit niet.

Dagelijks gebruik

- ▶ Dit apparaat mag worden gebruikt door kinderen vanaf 8 jaar en door personen met verminderde lichamelijke, zintuiglijke of geestelijke vermogens of met een gebrek aan kennis en ervaring, mits zij onder toezicht worden gehouden of instructies hebben gekregen om het apparaat veilig te kunnen gebruiken en de gevaren begrijpen die ermee gepaard gaan.
- ▶ Kinderen van 3 tot 8 jaar mogen wel inladen en uitladen, maar mogen koelapparatuur niet reinigen of installeren.
- ▶ Houd kinderen onder de 3 jaar uit de buurt van het apparaat, tenzij ze voortdurend onder toezicht staan.
- ▶ Kinderen mogen niet met het apparaat spelen.
- ▶ Als er koelgas of ander brandbaar gas in de buurt van het apparaat lekt, moet u het ventiel van het lekkende gas sluiten, de deuren en ramen openen en mag u de stekker van de koelkast of een ander apparaat niet uit het stopcontact halen of in een stopcontact steken.
- ▶ Let op, het apparaat is ingesteld om te werken bij een specifiek omgevingstemperatuurbereik van 10 tot 43°C. Het apparaat kan gedurende lange tijd bij een temperatuur boven of onder het aangegeven bereik niet goed werken.
- ▶ Plaats geen onstabiele voorwerpen (zware voorwerpen, containers gevuld met water) boven op de koelkast, om persoonlijk letsel door vallen of elektrische schokken door contact met water te voorkomen.
- ▶ Trek niet aan de deurschappen. De deur kan scheefgetrokken worden, het flessenrek kan eruit worden getrokken, of het apparaat kan omvallen.
- ▶ Open en sluit de deuren alleen met de handgrepen. De ruimte tussen de deuren en tussen de deuren en de kast is zeer smal. Steek uw handen niet in deze ruimtes, om te voorkomen dat uw vingers bekneld raken. Open of sluit de koelkastdeuren alleen als er geen kinderen zijn die zich binnen het bewegingsbereik van de deur bevinden.



WAARSCHUWING!

- ▶ Bewaar of gebruik in het apparaat of in de buurt ervan geen brandbare, explosieve of corrosieve materialen.
- ▶ Bewaar geen geneesmiddelen, bacteriën of chemische middelen in het apparaat. Dit is een huishoudelijk apparaat. Het wordt niet aanbevolen om materialen op te slaan die strikte temperaturen vereisen.
- ▶ Bewaar vloeistoffen in flessen of blikjes (met uitzondering van sterke drank), met name koolzuurhoudende dranken, nooit in de vriezer, omdat deze tijdens het invriezen barsten.
- ▶ Controleer de staat van het voedsel als er sprake van opwarming is geweest in de vriezer.
- ▶ Stel de temperatuur in het koelkastgedeelte niet onnodig laag in. Bij een hoge instelling kunnen temperaturen onder nul optreden. Let op: Flessen kunnen barsten
- ▶ Raak geen bevroren producten aan met natte handen (draag handschoenen). Eet vooral ijsjes niet onmiddellijk na verwijdering uit het vriezergedeelte op. Er bestaat het risico op bevriezing of vriesblaren. Eerste hulp: houd onmiddellijk onder de koude kraan. Niet lostrekken!
- ▶ Raak het binnenoppervlak van het vriezergedeelte niet aan wanneer het in werking is, vooral niet met natte handen, omdat uw handen aan het oppervlak vast kunnen vriezen.
- ▶ Haal de stekker van het apparaat uit het stopcontact wanneer er een stroomonderbreking optreedt of voordat u het schoonmaakt. Laat het apparaat minstens 7 minuten rusten voordat u het opnieuw opstart, omdat vaak starten de compressor kan beschadigen.
- ▶ Gebruik geen elektrische toestellen in de bewaarruimten voor levensmiddelen van het apparaat, tenzij deze van het type zijn dat door de fabrikant wordt aanbevolen. Onderhoud/reiniging
- ▶ Zorg ervoor dat kinderen onder toezicht staan als ze schoonmaak en onderhoud uitvoeren.
- ▶ Haal de stekker van het apparaat uit het stopcontact voordat u routineonderhoud uitvoert. Laat het apparaat minstens 5 minuten rusten voordat u het opnieuw opstart, omdat vaak starten de compressor kan beschadigen.



WAARSCHUWING!

- ▶ Houd de stekker vast, niet het snoer, wanneer u de stekker uit het stopcontact haalt.
- ▶ Reinig het apparaat niet met harde borstels, draadborstels, waspoeder, benzine, amylacetaat, aceton en soortgelijke organische oplossingen, zure of alkalische oplossingen. Reinig het apparaat met een speciaal reinigingsmiddel voor koelkasten om schade te voorkomen.
- ▶ Schraap vorst en ijs niet af met scherpe voorwerpen. Gebruik geen sprays, elektrische verwarmingstoestellen zoals haardrogers, stoomreinigers of andere warmtebronnen om schade aan de kunststof onderdelen te voorkomen.
- ▶ Gebruik geen mechanische apparaten of andere middelen om het ontdooien te versnellen, behalve als deze door de fabrikant worden aanbevolen.
- ▶ Als het netsnoer beschadigd is, moet het worden vervangen door de fabrikant, diens servicevertegenwoordiger of vergelijkbaar gekwalificeerde personen om gevaar te voorkomen.
- ▶ Probeer het apparaat niet zelf te repareren, te demonteren of te wijzigen. In geval van reparatie kunt u contact opnemen met onze klantenservice.
- ▶ Verwijder het stof aan de achterkant van het toestel ten minste eenmaal per jaar om brandgevaar en een verhoogd energieverbruik te voorkomen.
- ▶ Spuit niet op het apparaat en spoel het niet af tijdens het reinigen.
- ▶ Gebruik geen waterstraal of stoom om het apparaat schoon te maken.
- ▶ Reinig de koude glazen planken niet met heet water. Door plotselinge temperatuurveranderingen kan het glas breken.

Informatie over koelgas



WAARSCHUWING!

Het apparaat bevat het brandbare koelmiddel ISOBUTAAN (R600a). Controleer of het koelcircuit tijdens transport of installatie niet is beschadigd. Lekkend koelmiddel kan oogletsel veroorzaken of ontbranden. Als er schade is opgetreden, weghouden van open vuurbronnen, de kamer grondig ventileren, de stekker van het apparaat of enig ander apparaat niet in het stopcontact steken of eruit halen. Informeer de klantenservice.

Als de ogen in contact komen met het koelmiddel, spoel het dan onmiddellijk onder stromend water af en bel onmiddellijk de oogspecialist.



Beoogd gebruik

Dit apparaat is bedoeld voor het koelen en invriezen van voedsel. Het is uitsluitend ontworpen voor gebruik in huishoudelijke en soortgelijke toepassingen, zoals personeelskeukens in winkels, kantoren en andere werkomgevingen; op boerderijen en door gasten in hotels, motels en andere woonomgevingen, maar ook in bed and breakfasts en bij cateringbedrijven. Het is niet bedoeld voor commercieel of industrieel gebruik. Wijzigingen of aanpassingen aan het apparaat zijn niet toegestaan. Onbedoeld gebruik kan risico's en verlies van garantieclaims veroorzaken.

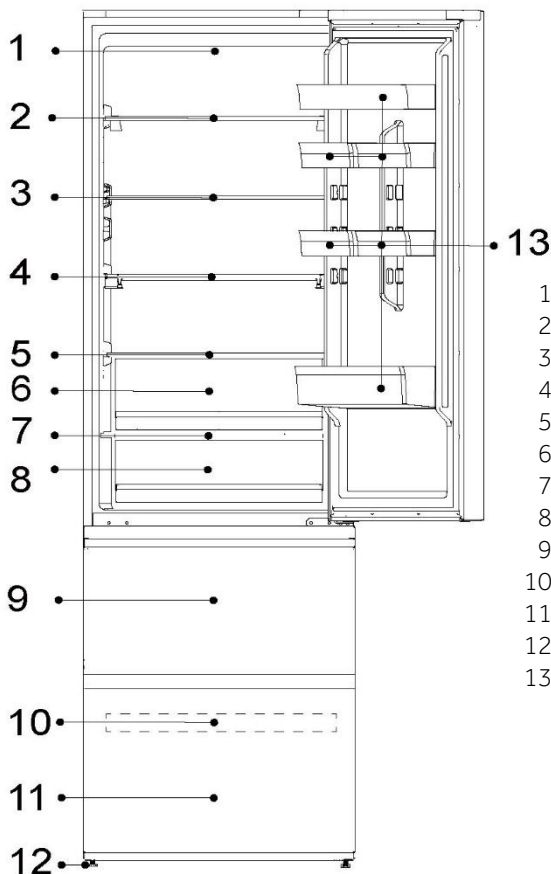
Normen en richtlijnen **CE**

Dit product voldoet aan de eisen van alle toepasselijke EG-richtlijnen met de bijbehorende geharmoniseerde normen die voorzien in een CE-markering.

i LET OP

Door technische wijzigingen en verschillende modellen kunnen sommige afbeeldingen in deze handleiding afwijken van uw model.

(HTW5620EN*, HTW5620DN*, HTW5620CN*)



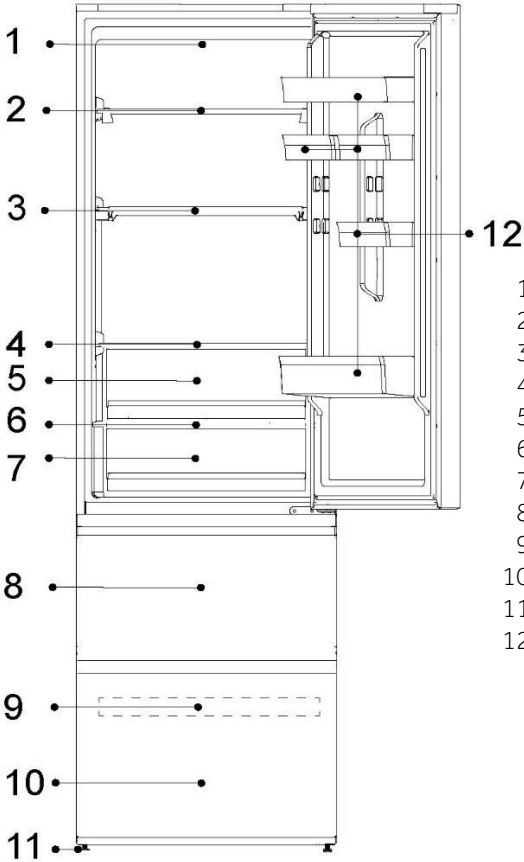
- 1-Ledlamp voor koelkast
- 2-Wijnrek
- 3-Glazen plank
- 4-Opklapbare plank
- 5-Humidity Zone-ladedeksel
- 6-Humidity Zone-lade
- 7-My Zone-ladedeksel
- 8-My Zone-lade
- 9-Bovenste vriezerlade
- 10-Vriezerplaat
- 11-Onderste vriezerlade
- 12-Verstelbare pootjes
- 13-Deurrek



i LET OP

Door technische wijzigingen en verschillende modellen kunnen sommige afbeeldingen in deze handleiding afwijken van uw model.

(HTW5618DN*, HTW5618CN*, HTW5618EN*)

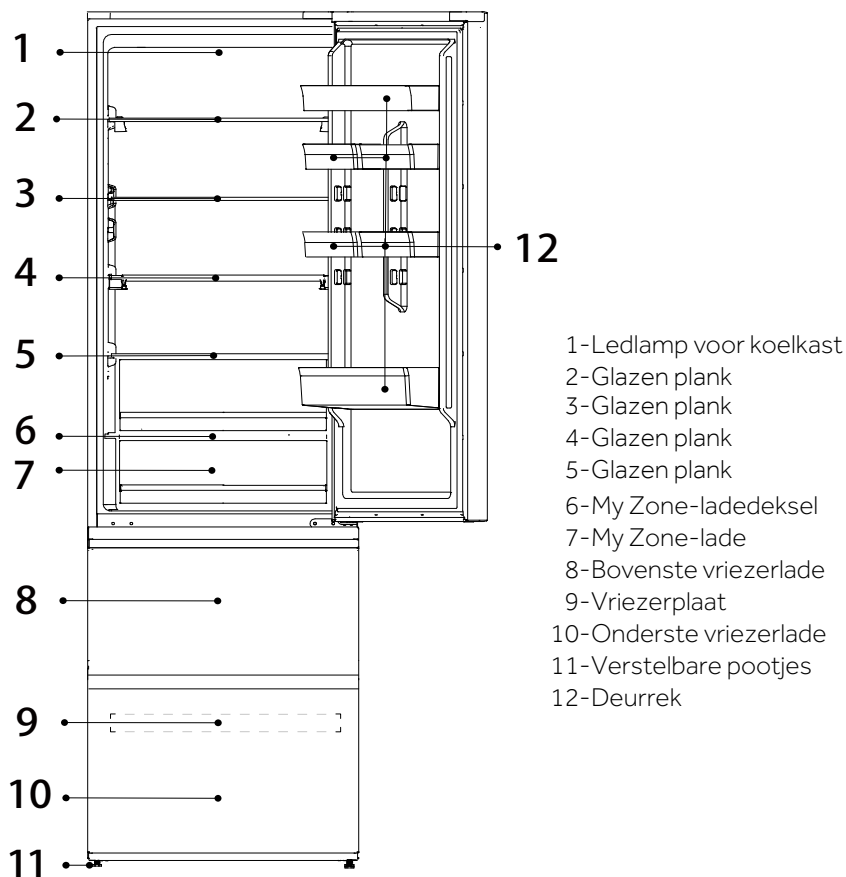


- 1-Ledlamp voor koelkast
- 2-Wijnrek
- 3-Opklapbare plank
- 4-Humidity Zone-ladedeksel
- 5-Humidity Zone-lade
- 6-My Zone-ladedeksel
- 7-My Zone-lade
- 8-Bovenste vriezerlade
- 9-Vriezerplaat
- 10-Onderste vriezerlade
- 11-Verstelbare pootjes
- 12-Deurrek

i LET OP

Door technische wijzigingen en verschillende modellen kunnen sommige afbeeldingen in deze handleiding afwijken van uw model.

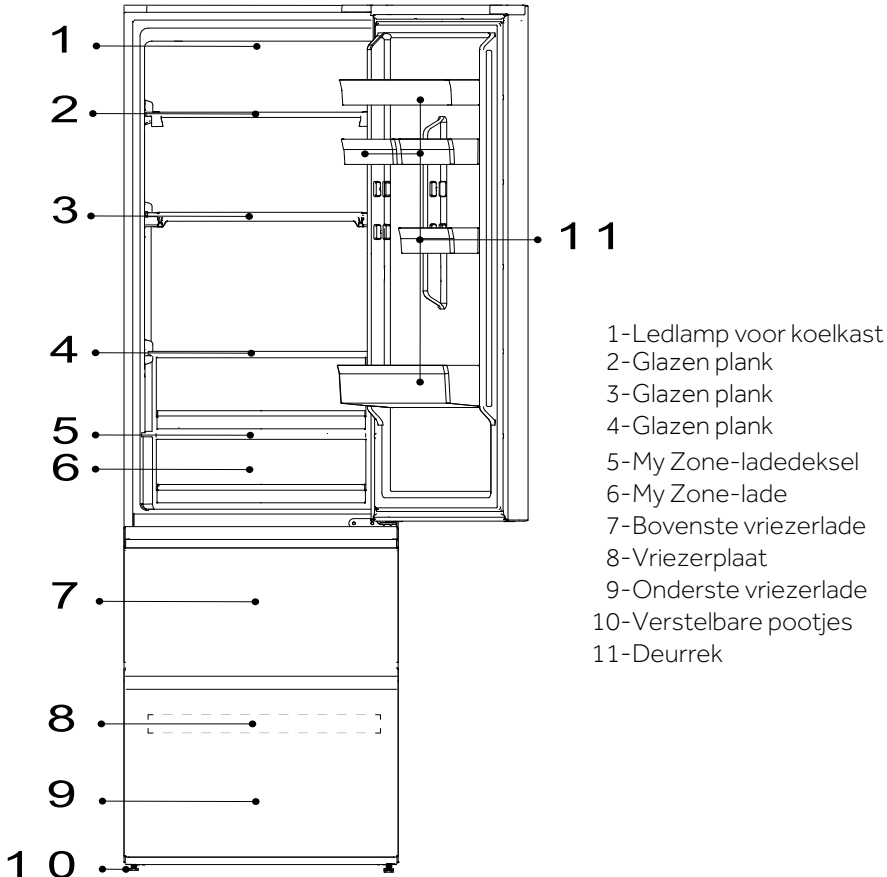
(HTW3620EN*, HTW3620DN*, HTW3620CN*)



i LET OP

Door technische wijzigingen en verschillende modellen kunnen sommige afbeeldingen in deze handleiding afwijken van uw model.

(HTW3618EN*, HTW3618DN*, HTW3618CN*)

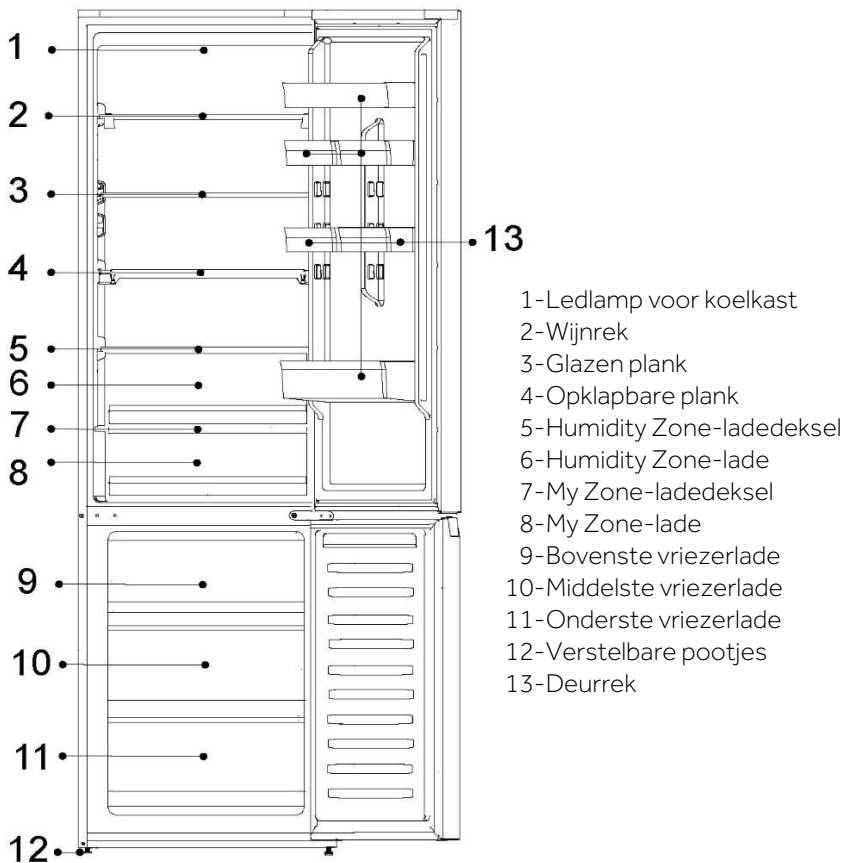


- 1-Ledlamp voor koelkast
- 2-Glazen plank
- 3-Glazen plank
- 4-Glazen plank
- 5-My Zone-ladedeksel
- 6-My Zone-lade
- 7-Bovenste vriezerlade
- 8-Vriezerplaat
- 9-Onderste vriezerlade
- 10-Verstelbare pootjes
- 11-Deurrek

i LET OP

Door technische wijzigingen en verschillende modellen kunnen sommige afbeeldingen in deze handleiding afwijken van uw model.

(HDPW5620DN*, HDPW5620CN*, HDPW5620BN*, HDPW5620AN*)

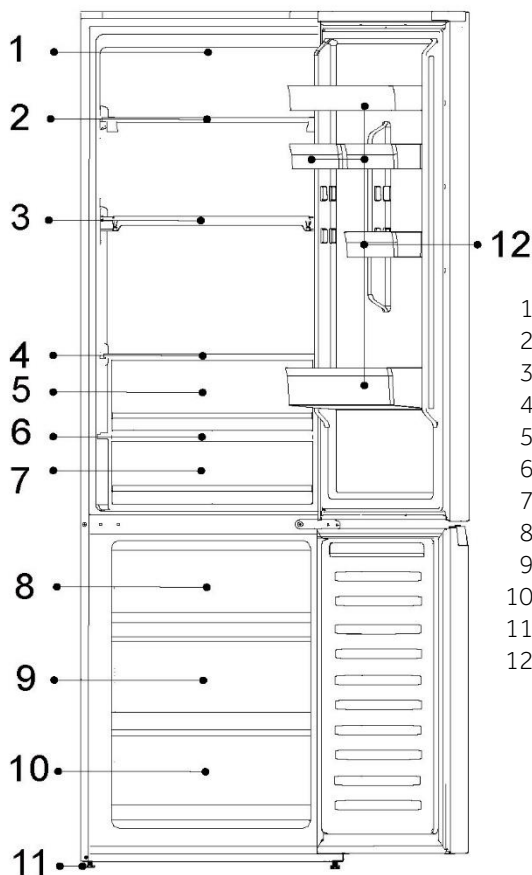




i LET OP

Door technische wijzigingen en verschillende modellen kunnen sommige afbeeldingen in deze handleiding afwijken van uw model.

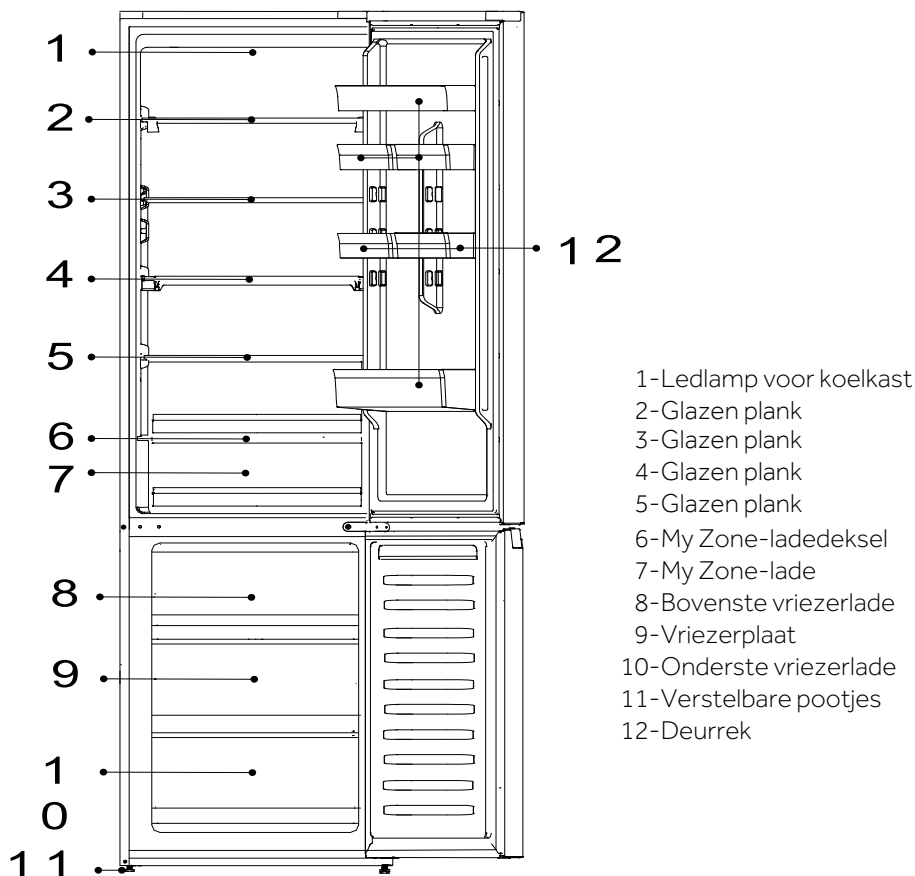
(HDPW5618DN*, HDPW5618CN*)



- 1-Ledlamp voor koelkast
- 2-Wijnrek
- 3-Opklapbare plank
- 4-Humidity Zone-ladedeksel
- 5-Humidity Zone-lade
- 6-My Zone-ladedeksel
- 7-My Zone-lade
- 8-Bovenste vriezerlade
- 9-Middelste vriezerlade
- 10-Onderste vriezerlade
- 11-Verstelbare pootjes
- 12-Deurrek

i LET OP

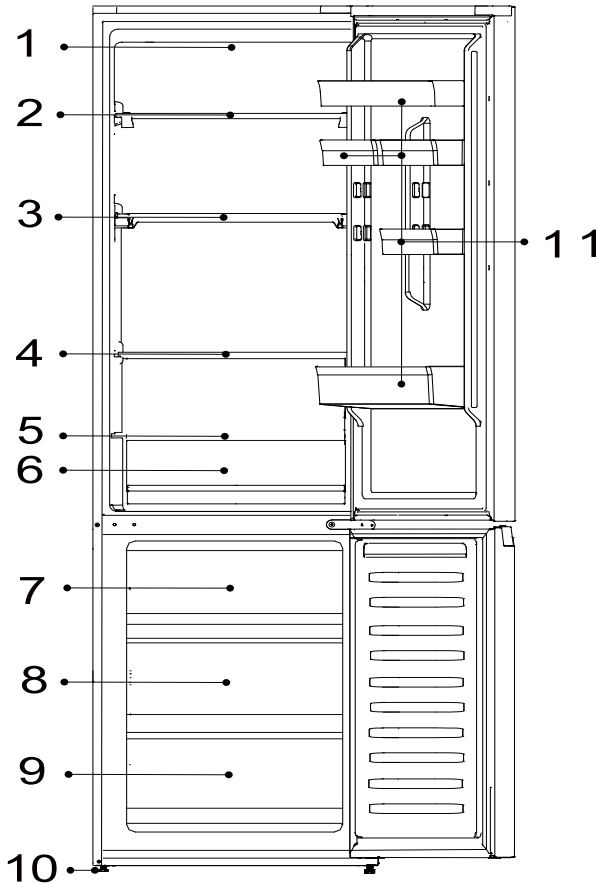
Door technische wijzigingen en verschillende modellen kunnen sommige afbeeldingen in deze handleiding afwijken van uw model.
(HDPW3620DN*, HDPW3620CN*)





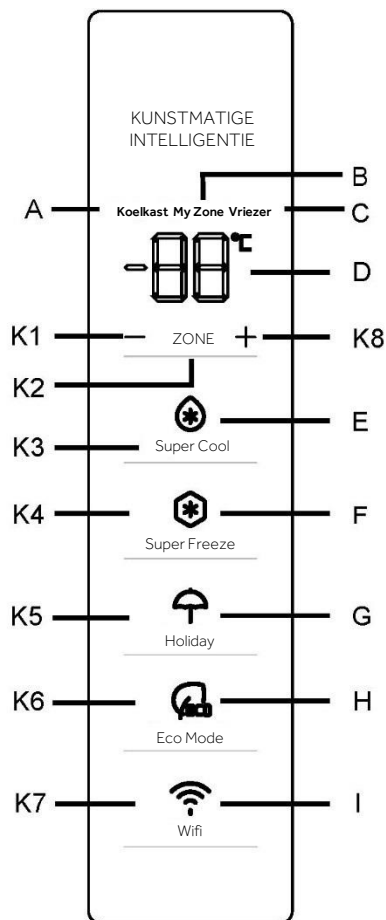
i LET OP

Door technische wijzigingen en verschillende modellen kunnen sommige afbeeldingen in deze handleiding afwijken van uw model.
(HDPW3618DN*, HDPW3618CN*)



- 1-Ledlamp voor koelkast
- 2-Glazen plank
- 3-Glazen plank
- 4-Glazen plank
- 5-My Zone-ladedeksel
- 6-My Zone-lade
- 7-Bovenste vriezerlade
- 8-Vriezerplaat
- 9-Onderste vriezerlade
- 10-Verstelbare pootjes
- 11-Deurrek

Bedieningspaneel



Indicatoren:

- A Koelkastgedeelte
- B Koelcompartiment (My Zone)
- C Vriezergedeelte
- D Temperatuurweergave
- E Super Cool-functie
- F Super Freeze-functie
- G Functie 'Holiday'
- H Eco Mode-functie
- I Wififunctie

Toetsen:

- K1 Temperatuur verlagen
- K2 Selectie koelkast, My Zone en vriezer
- K3 Super Cool-functie aan/uit
- K4 Super Freeze-functie aan/uit
- K5 Holiday-functie aan/uit
- K6 Eco Mode-functie aan/uit
- K7 Wififunctie aan/uit
- K8 Temperatuur verhogen

Vóór het eerste gebruik

Verwijder alle verpakkingsmaterialen, houd ze buiten bereik van kinderen en gooi ze op een milieuvriendelijke manier weg.

Reinig de binnen- en buitenkant van het apparaat, de binnenkant en de accessoires met water en een mild reinigingsmiddel, en droog deze delen goed af met een zachte doek.

Nadat het apparaat waterpas is gezet en is schoongemaakt, moet u minstens 2 uur wachten voordat u het aansluit op het elektriciteitsnet. Raadpleeg hoofdstuk **INSTALLATIE**.



Koel de compartimenten op hoge instellingen voor voordat u het voedsel erin zet. De Super Freeze-functie helpt om het vriezergedeelte snel af te koelen.

Sensortoetsen

De toetsen op het bedieningspaneel zijn sensortoetsen, die al reageren als ze licht met de vinger worden aangeraakt.

Het apparaat in-/uitschakelen

Het apparaat werkt zodra het op de voeding is aangesloten.

Wanneer het apparaat voor het eerst wordt ingeschakeld, tonen temperatuurindicatoren 'D' de vooraf ingestelde waarden (zie de onderstaande informatie).



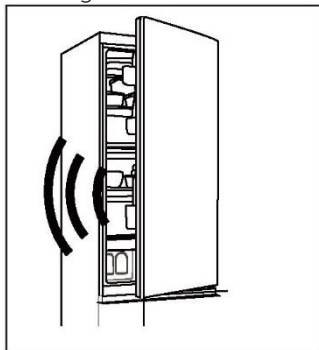
LET OP

Het apparaat is ingesteld op de aanbevolen temperatuur van 5°C (koelkast) en -18°C (vriezer). De MyZone-temperatuur is ingesteld op ongeveer 2°C. Dit zijn de aanbevolen instellingen. Als u wilt, kunt u deze temperaturen handmatig veranderen.

Alarm 'Deur open'

Wanneer de deur van de koelkast langer dan 3 minuten open staat, klinkt het alarm voor deur open.

Het alarm kan worden uitgeschakeld door de deur te sluiten. Als de deur langer dan 7 minuten open staat, worden het licht in de koelkast en de verlichting van het bedieningspaneel automatisch uitgeschakeld.



De temperatuur aanpassen

De binnentemperaturen worden beïnvloed door de volgende factoren:

- ▶ Omgevingstemperatuur
- ▶ Frequentie van het openen van de deur



- ▶ Hoeveelheid opgeslagen voedsel
- ▶ Installatie van het apparaat

De koelkasttemperatuur aanpassen

1. Druk op de toets 'K2' (selectie koelkast/(My Zone)/vriezer) om het koelkastgedeelte te selecteren. De pictogrammen 'A' (koelkast) en 'D' (temperatuurweergave) zijn verlicht.
2. Druk op de toets 'K1/K8' om de koelkasttemperatuur in te stellen.

De temperatuur wordt verhoogd in stappen van 1°C, van een minimum van 2°C tot een maximum van 8°C. De optimale temperatuur in de koelkast is 5°C. Koudere temperaturen betekenen onnodig energieverbruik.

3. Na ongeveer 5 seconden blijft het temperatuurpictogram 'D' (temperatuurweergave) permanent verlicht en is de instelling bevestigd.

De vriezertemperatuur aanpassen

1. Druk op de toets 'K2' (selectie koelkast/(My Zone)/vriezer) om het vriezergedeelte te selecteren. De pictogrammen 'C' (vriezergedeelte) en 'D' (temperatuurweergave) zijn verlicht.
2. Druk op de knop "K1/K8" om de vriezertemperatuur in te stellen.

De temperatuur wordt verhoogd in stappen van 1°C, van een minimum van -24°C tot een maximum van -16°C. De optimale temperatuur in de vriezer is -18°C. Lagere temperaturen betekenen onnodig energieverbruik.

3. Na ongeveer 5 seconden blijft het temperatuurindicator 'D' (temperatuurweergave) permanent verlicht en is de instelling bevestigd.

De temperatuur voor My Zone aanpassen

Het koelkastgedeelte is voorzien van een My Zone-lade. In overeenstemming met de vereisten voor het bewaren van voedsel kan de meest geschikte temperatuur worden geselecteerd om de optimale voedingswaarde van de voeding te verkrijgen.

1. Druk op de toets 'K2' (selectie koelkast/(My Zone)/vriezer) om het My Zone-gedeelte te selecteren. De pictogrammen 'B' (My Zone-gedeelte) en 'D' (temperatuurweergave) zijn verlicht.
2. Druk op de knop "K1/K8" om de temperatuur van My Zone in te stellen.

De temperatuur wordt verhoogd in stappen van 1°C, van een minimum van 0°C tot een maximum van 5°C.



3. Na ongeveer 5 seconden blijft het temperatuurpictogram 'D' (temperatuurweergave) permanent verlicht en is de instelling bevestigd.

LET OP

1. U kunt de temperatuur van het My Zone-gedeelte op het middelste niveau (2°C) instellen om uw voedsel in de optimale bewaaromgeving te bewaren.
2. Door verschillende watergehalten van vlees, bevroren sommige soorten vlees met meer vocht bij temperaturen lager dan 0°C. Dus gebruiksklaar vlees moet in de My Zone-lade worden bewaard bij een minimumtemperatuur van 0°C.
3. Koudegevoelig fruit zoals ananas, avocado's, bananen, grapefruits en groenten zoals aardappelen, aubergines, bonen, komkommers, courgettes en tomaten en kaas mogen niet in de My Zone-lade worden bewaard.
4. Als de koelkasttemperatuur lager is dan de My Zone-temperatuur, is het normaal dat de temperatuur van My Zone lager is dan de ingestelde temperatuur van My Zone.

LET OP

Als er na het instellen van de temperatuur binnen 5 seconden andere toetsen worden aangeraakt, wordt de huidige temperatuurinstelling onmiddellijk bevestigd. Als er binnen 5 seconden geen toetsen worden aangeraakt, wordt de huidige ingestelde temperatuur weergegeven totdat het scherm uitgaat.

LET OP

Vanuit de app is het mogelijk om de temperatuur voor de koelkast, de vriezer en My Zone aan te passen. De temperatuur kan worden ingesteld met een gevoeligheid van 1°C.

Super Cool-functie

1. Het wordt aangeraden om de Super Cool-functie in te schakelen als er een grotere hoeveelheid voedsel moet worden opgeslagen (bijvoorbeeld na de aankoop). De Super Cool-functie versnelt het koelen van vers voedsel en beschermt het al opgeslagen voedsel tegen ongewenste opwarming.
2. Druk op de toets 'K3' of schakel de functie in vanuit de app, pictogram 'E' (Super Cool-functie) is verlicht en de functie wordt geactiveerd.



i LET OP

1. Het apparaat schakelt de 'Super Cool-functie' uit nadat deze 6 uur ingeschakeld is geweest of als u op de toets 'K3' drukt wanneer het pictogram 'E' (Super Cool-functie) verlicht is of de functie uitschakelt in de app.
2. Als de temperatuur van het koelkastgedeelte wordt veranderd terwijl de Super Cool-functie is ingeschakeld, knippert het pictogram 'E' (Super Cool-functie) om aan te geven dat deze handeling niet kan worden uitgevoerd.

Super Freeze-functie

1. Vers voedsel moet zo snel mogelijk diep worden ingevroren. Hierdoor blijven de voedingswaarde, het uiterlijk en de smaak het best behouden. De Super Freeze-functie versnelt het invriezen van vers voedsel en beschermt de reeds opgeslagen producten tegen ongewenste opwarming. Als u in één keer een grote hoeveelheid voedsel moet invriezen, is het raadzaam de Super Freeze-functie 24 uur vóór het gebruik van het vriezergedeelte in te stellen.
2. Druk op de toets 'K4' (instelling Super Freeze-functie) of schakel de functie in met de app, het pictogram 'F' (Super Freeze-functie) is verlicht en de functie wordt geactiveerd.

i LET OP

1. Het apparaat schakelt de Super Freeze-functie uit nadat deze 50 uur ingeschakeld is geweest of als u op de toets 'K4' drukt wanneer het pictogram 'F' (Super Freeze-functie) verlicht is of de functie uitschakelt in de app.
2. Als de temperatuur van het vriezergedeelte wordt veranderd terwijl de Super Freeze-functie is ingeschakeld, knippert het pictogram 'F' (Super Freeze-functie) om aan te geven dat deze handeling niet kan worden uitgevoerd.

Functie 'Holiday'

De Holiday-functie kan worden gebruikt om het energieverbruik van het apparaat te verminderen, als het niet regelmatig wordt gebruikt. Wanneer de functie ingeschakeld is, is de koelkast uitgeschakeld, terwijl de diepvriezer normaal blijft werken. De functie stelt de koelkasttemperatuur permanent in op 17°C.

Hierdoor kan de deur van de lege koelkast gesloten blijven zonder dat er een geur of schimmel ontstaat tijdens een lange afwezigheid (bijv. tijdens vakantie). U kunt het vriezergedeelte naar wens instellen.

1. Druk op de toets 'K5' (Holiday-functie aan/uit) of selecteer de functie in de app, het pictogram 'G' (Holiday-functie) is verlicht en de functie wordt geactiveerd.



2. De functie kan worden uitgeschakeld door opnieuw op de toets 'K5' (Holiday-functie aan/uit) te drukken of door de koelkasttemperatuur in te stellen of door een andere instelling uit te voeren of door de functie uit te schakelen in de app.

LET OP

1. Tijdens de Holiday-functie mag er geen voedsel in het koelkastgedeelte worden bewaard. De temperatuur van 17°C is te hoog voor het bewaren van voedsel.
2. Wanneer de Holiday-functie is ingeschakeld, blijft het My Zone-pictogram uit en is de koelkastfunctie vergrendeld. Als de temperatuur van het koelkastgedeelte wordt veranderd, knippert het pictogram 'G' (Holiday-functie) om aan te geven dat deze handeling niet kan worden uitgevoerd.

Eco Mode-functie

De Eco-Mode kan worden geactiveerd om de prestaties van het apparaat te optimaliseren en tegelijkertijd voedsel het best te bewaren. Als u geen speciale eisen hebt, raden wij u aan om de Eco Mode-functie te gebruiken.



In deze modus is de koelkasttemperatuur 5°C en is de vriezertemperatuur -18°C.

1. Druk op de toets 'K6' (Eco Mode-functie aan/uit) of selecteer de functie in de app.
2. Het pictogram 'H' (Eco Mode-functie) is verlicht en de functie wordt geactiveerd. Door de bovenstaande stappen te herhalen of een andere functie te selecteren of de functie uit te schakelen in de app, kan deze functie weer worden uitgeschakeld. De eerder ingestelde koelniveaus worden hersteld.

LET OP

Als de temperatuur van het koelkast-/vriezergedeelte wordt veranderd terwijl de Eco Mode-functie is ingeschakeld, knippert het pictogram 'H' (Eco Mode-functie) om aan te geven dat deze handeling niet kan worden uitgevoerd.

Stap 1 Download de hOn-app in de stores.

   	
<p>Stap 2 Maak een account aan in de hOn-app of log in als u al een account heeft.</p> 	<p>Stap 3 Volg de koppelingsinstructies in de hOn-app.</p> 

Wififunctie

1. Volg de instructies in de app om de wifi te configureren.
2. Zodra de wifi is ingesteld en de verbinding tot stand is gebracht, gaat het wifipictogram 'I' aan en blijft branden.
3. Als de wifi al is geconfigureerd, zal er automatisch opnieuw verbinding worden gemaakt volgens de configuratie-informatie als de wifi wordt ingeschakeld.

LET OP

1. Druk op de wifitoets 'K7' om de wifi uit te schakelen. Het wifipictogram 'I' gaat uit.
2. Druk op de wifitoets 'K7' om de wifi in te schakelen en de configuratie te starten. Het wifipictogram 'I' knippert langzaam. Als u de wifi-functie wilt configureren, houdt u gedurende 3 seconden de toets 'K7' ingedrukt; het wifi-pictogram knippert snel en gaat de configuratiemodus in. Als u de wififunctie wilt uitschakelen, drukt u één keer op de toets 'K7'. De bovenstaande stappen worden herhaald.
3. Als het product is geconfigureerd en de wifi-functie is uitgeschakeld, zal de koelkast de configuratiemodus niet openen wanneer deze weer wordt aangesloten op de voeding.

LET OP

1. Dit product is niet bedoeld voor commercieel gebruik.
2. Het maximale RF-uitgangsvermogen: 2,4 GHz; Wifi: 16dBm.
3. Bluetooth® Low Energy: 5 dBm; Bluetooth® (BR/EDR): 10 dBm.
4. Frequentieband: 2400–2483,5 MHz.



Het woordmerk en de logo's van Bluetooth® zijn geregistreerde handelsmerken van Bluetooth SIG, Inc. en elk gebruik van deze merken door Candy Hoover Group SRL gebeurt onder licentie. Andere handelsmerken en handelsnamen zijn eigendom van hun respectieve eigenaren.

Bewaren in het koelkastgedeelte

- Houd de koelkasttemperatuur lager dan 5°C.
- Laat warm voedsel afkoelen tot kamertemperatuur voordat u het in het apparaat opbergt.
- In de koelkast opgeslagen levensmiddelen moeten worden gewassen en afgedroogd voordat zij worden opgeborgen.
- Het te bewaren voedsel moet goed afgesloten zijn om geur- of smaakveranderingen te voorkomen.
- Bewaar geen overmatige hoeveelheden voedsel. Laat ruimtes tussen voedingswaren zodat er koude lucht omheen kan stromen, voor een betere en gelijkmatiger koeling.
- Voedsel dat dagelijks wordt gegeten moet worden bewaard aan de voorkant van de plank.
- Laat ruimte tussen voedingswaren en de binnenwanden, zodat lucht kan stromen. Bewaar met name geen voedsel tegen de achterwand: voedsel kan tegen achterwand bevriezen. Vermijd direct contact van voedsel (vooral olieachtig of zuur voedsel) met de binnenvoering, omdat olie/zuur de binnenvoering kan aantasten. Haal de stekker van het apparaat uit het stopcontact.
- Bevroren voedsel kan voorzichtig worden ontdooid in het koelkastgedeelte. Dit bespaart energie.
- Het rijpingsproces van groenten en fruit zoals courgette, meloen, papaja, banaan, ananas, etc. kan in de koelkast versneld worden. Daarom wordt het niet aanbevolen om deze in de koelkast te bewaren. Het rijpen van onrijp fruit kan echter wel worden versneld gedurende een bepaalde periode. Uien, knoflook, gember en andere wortelgroenten moeten ook bij kamertemperatuur worden bewaard.
- Onaangename geurtjes in de koelkast zijn een teken dat er iets is gemorst en moet worden schoongemaakt. Zie 'Onderhoud en reiniging'.
- Verschillende voedingswaren moeten op verschillende plaatsen worden geplaatst naargelang de eigenschappen ervan.

Bewaren in het vriezergedeelte

- Houd de temperatuur van de vriezer op -18°C.
- Schakel 24 uur voor het invriezen de functie 'Super-Freezer' in. Voor kleine hoeveelheden voedsel is 4–6 uur voldoende.
- Warm voedsel moet eerst worden afgekoeld tot kamertemperatuur voordat het in het vriezergedeelte kan worden bewaard.
- Voedsel dat in kleine porties is gesneden zal sneller bevroren en is gemakkelijker te ontdoien en bereiden. Het aanbevolen gewicht per portie bedraagt minder dan 2,5 kg

- Het is beter om voedsel te verpakken voordat u het in de vriezer plaatst. De buitenkant van de verpakking moet droog zijn om te voorkomen dat zakken aan elkaar kleven. Verpakkingsmaterialen moeten geurvrij, luchtdicht, niet-giftig en niet-toxisch zijn.
- Schrijf om overschrijden van de houdbaarheidstermijnen te voorkomen de invriesdatum, de tijdlimiet en de naam van het voedsel op de verpakking volgens de bewaartermijnen van de verschillende levensmiddelen.



WAARSCHUWING!

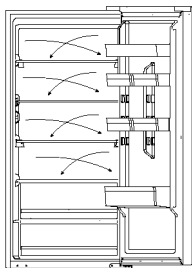
- ▶ Zuren, basen en zout, etc. kunnen het interne oppervlak van de vriezer wegvreten.
- ▶ Plaats voedsel met deze stoffen (bijv. zeevis) niet direct tegen de binnenzijde. Zout water in de diepvriezer moet onmiddellijk worden verwijderd.
- ▶ Overschrijd niet de door de fabrikanten aanbevolen bewaartijd van levensmiddelen. Neem alleen de benodigde hoeveelheid voedsel uit de vriezer.
- ▶ Gebruik ontdooide etenswaren zo snel mogelijk. Ontdooid voedsel mag niet opnieuw worden ingevroren, tenzij het eerst wordt bereid; anders is het mogelijk niet meer eetbaar.
- ▶ Plaats geen overmatige hoeveelheden vers voedsel in het vriezergedeelte. Zie de vriescapaciteit van de diepvriezer – zie TECHNISCHE GEGEVENS of de gegevens op het typeplaatje.
- ▶ Levensmiddelen kunnen bij een temperatuur van ten minste -18°C gedurende 2 tot 12 maanden in de vriezer worden bewaard, afhankelijk van de eigenschappen (bijv. vlees: 3–12 maanden, groenten: 6–12 maanden).
- ▶ Vermijd bij het invriezen van vers voedsel dat het in contact komt met al ingevroren levensmiddelen. Risico op ontdooien!

Volg de volgende richtlijnen bij het opslaan van commercieel ingevroren levensmiddelen:

- Volg altijd de richtlijnen van de fabrikanten voor hoe lang u het voedsel kunt bewaren. Overschrijd deze richtlijnen niet!
- Probeer de tijd tussen aankoop en opslag zo kort mogelijk te houden om de voedselkwaliteit te behouden.
- Koop alleen diepvriesproducten die bij een temperatuur van -18°C of lager zijn bewaard.
- Vermijd het kopen van voedsel dat ijs of rijp op de verpakking heeft. Dit wijst erop dat de producten op een bepaald moment gedeeltelijk ontdooid en opnieuw ingevroren kunnen zijn – temperatuurstijgingen hebben invloed op de kwaliteit van het voedsel.

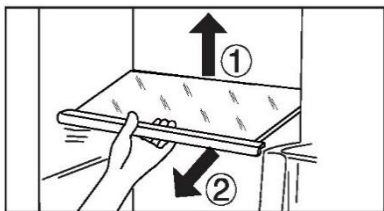
i LET OP

Als gevolg van verschillende modellen, heeft uw product mogelijk niet alle volgende functies. Zie hoofdstuk 'Productbeschrijving'.



Meervoudige luchtstroom

De koelkast is uitgerust met een meervoudige-luchtstroomsysteem, waarmee er op elke plank koele luchtstromen zijn. Dit helpt om een gelijkmatige temperatuur te handhaven om ervoor te zorgen dat uw voedsel langer vers blijft.



Verstelbare plank

1. De hoogte van de planken kan worden aangepast aan uw opslagbehoeften.
2. Om een plank te verplaatsen, verwijdert u hem eerst door de achterrand ① op te tillen en de plank eruit ② te trekken.
3. Om hem weer te installeren, plaatst u hem op de nokjes aan beide kanten en duwt u hem helemaal naar achteren tot de achterkant van de plank vastzit in de gleuven in de zijkanten.

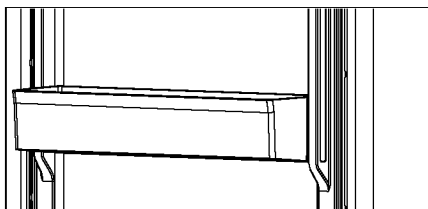
i LET OP

Zorg ervoor dat alle kanten van een plank vlak zijn.

Uitneembaar deurrek

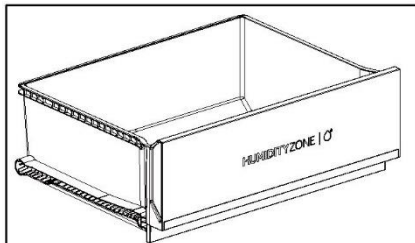
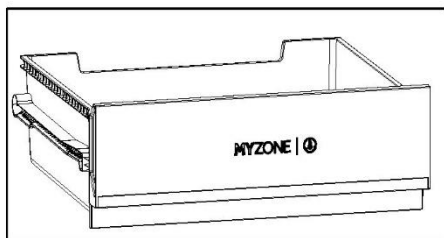
Het deurrek kan worden verwijderd voor het reinigen:

Plaats uw handen aan beide kanten van het rek, til het omhoog (1) en trek het eruit (2). Voer de bovenstaande stappen in omgekeerde volgorde uit om het deurrek weer terug te plaatsen.



My Zone-lade

Zie het gedeelte GEBRUIK (My Zone) voor het gebruik en het instellen van het My Zone-gedeelte.



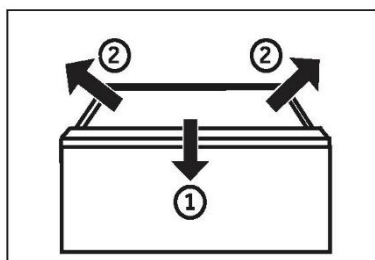
Humidity Zone-lade

In dit gedeelte wordt het vochtigheidsniveau automatisch gereguleerd door het systeem en is geschikt voor het bewaren van fruit, groenten, salades, etc.

Verwijderbare lade

Om de lade uit het koelkast- of vriezergedeelte te verwijderen, trekt u deze zo ver mogelijk naar buiten (1), daarna optillen en verwijderen (2).

Voer de bovenstaande stappen in omgekeerde volgorde uit om de lade weer terug te plaatsen.



Vriezerlade

De vriezerlade kan er rechtuit volledig worden uitgetrokken. Hij is gemonteerd op gemakkelijk glijdende, uitschuifbare rails, zodat u de diepvriesproducten comfortabel kunt bewaren en uit de lade kunt verwijderen. Door het automatische deursluitmechanisme is de bediening eenvoudig en bespaart u energie.



WAARSCHUWING!

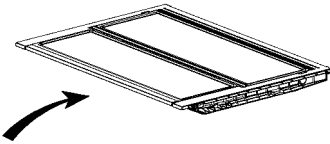
De lades niet overbelasten: Maximale belasting van elke lade: 35 kg!

De verlichting

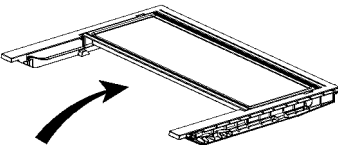
De led-binnenverlichting gaat branden als de deur wordt geopend. De werking van de verlichting wordt niet beïnvloed door een van de andere instellingen van het apparaat.

Opklapbare plank

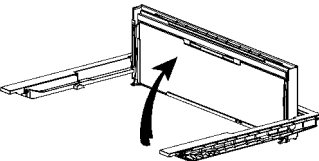
Dankzij de opklapbare plank kan de gebruiker hoge flessen of artikelen op de planken zetten. De plank kan worden opgeklapt aan de achterkant zodat de beschikbare ruimte van het onderste plank groter wordt. De plank kan als volgt worden opgeklapt: stap 1-3. Voer de volgende procedures in omgekeerde volgorde uit als u terug wilt keren naar de oorspronkelijke situatie.



Stap 1: Duw de voorkant van de plank langzaam naar het einde toe.



Stap 2: Duw de plank langzaam omhoog naar de verticale positie.



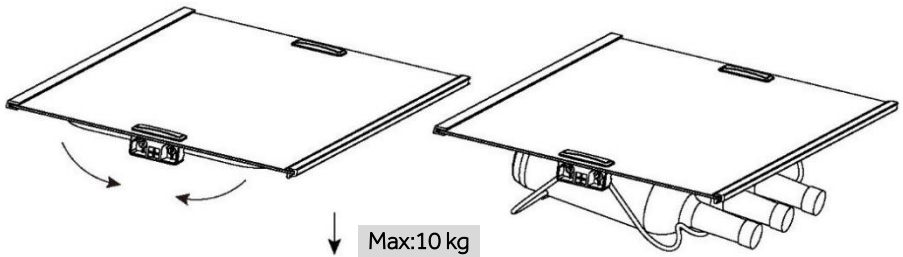
Stap 3: De plank is verticaal. Hierdoor wordt er ruimte bespaard.

Opvouwbaar wijnrek

Voor normaal gebruik

1. Trek de beugels van het wijnrek omlaag.
2. Plaats de flessen in het rek.

Wanneer het niet wordt gebruikt, kan het wijnrek worden teruggeklapt om ruimte te besparen.





Tips voor energiebesparing

- ▶ Zorg ervoor dat het apparaat goed wordt geventileerd (raadpleeg INSTALLATIE).
- ▶ Installeer het apparaat niet in direct zonlicht of in de buurt van warmtebronnen (bijv. kachels, verwarmingstoestellen).
- ▶ Vermijd onnodig lage temperaturen in het apparaat. Het energieverbruik neemt toe naarmate de ingestelde temperatuur in het apparaat daalt.
- ▶ Functies zoals SUPER FREEZE verbruiken meer energie.
- ▶ Laat warm voedsel afkoelen voordat u het in de koelkast plaatst.
- ▶ Open de deur van het apparaat zo weinig en zo kort mogelijk.
- ▶ Vul het apparaat niet te vol om te voorkomen dat de luchtdoorstroming wordt geblokkeerd.
- ▶ Vermijd lucht in de verpakking van het voedsel.
- ▶ Houd de deurpakking schoon, zodat de deur altijd goed sluit.
- ▶ Ontdooi bevroren levensmiddelen in de koelkast of gebruik de D-Frost-functie in de My Zone-lade.
- ▶ De meest energiebesparende configuratie vereist dat de lade, de bak en de planken als nieuw in het apparaat worden geplaatst en dat voedsel zo wordt geplaatst dat het de luchtuitlaat van het luchtkanaal niet blokkeert.



WAARSCHUWING!

Reinigen

Reinig het apparaat als er weinig of geen voedsel in is opgeslagen.

Het apparaat moet om de vier weken worden schoongemaakt voor een goed onderhoud en om nare voedselgeuren te voorkomen.



WAARSCHUWING!

- ▶ Reinig het apparaat niet met harde borstels, draadborstels, waspoeder, benzine, amylacetaat, aceton en soortgelijke organische oplossingen, zure of alkalische oplossingen. Reinig het apparaat met een speciaal reinigingsmiddel voor koelkasten om schade te voorkomen.
- ▶ Spuit niet op het apparaat en spoel het niet af tijdens het reinigen.
- ▶ Gebruik geen waterstraal of stoom om het apparaat schoon te maken.
- ▶ Reinig de koude glazen planken niet met heet water. Door plotselinge temperatuurveranderingen kan het glas breken.
- ▶ Raak het binnenoppervlak van het vriezergedeelte niet aan, vooral niet met natte handen, omdat uw handen aan het oppervlak vast kunnen vriezen.
- ▶ Controleer in geval van opwarming de toestand van de ingevroren producten.



- ▶ Houd de deurpakking altijd schoon.
- ▶ Reinig de binnenkant en behuizing van het apparaat met een spons die is bevochtigd in warm water en een neutraal reinigingsmiddel.
- ▶ 1. Was de binnenkant en buitenkant van de koelkast, waaronder deurrubbers, deurrek, glazen planken, bakken enzovoort, met een zachte handdoek of spons die in warm water is gedrenkt (u mag een neutraal schoonmaakmiddel toevoegen aan het warme water).
- ▶ 2. Als er vloeistof is gemorst, verwijder dan alle verontreinigde onderdelen en spoel ze direct af met het stromend water. Daarna afdrogen en terug in de koelkast plaatsen.
- ▶ 3. Als er room (zoals koffiemelk, smeltend ijs) wordt gemorst, moeten alle verontreinigde delen worden verwijderd. Zet ze een tijdje in warm water van ongeveer 40°C en spoel vervolgens af met stromend water. Daarna afdrogen en terug in de koelkast plaatsen.
- ▶ 4. Als een klein deeltje of onderdeel vast komt te zitten in de koelkast (tussen planken of laden), gebruik dan een klein, zacht borsteltje om het weg te halen. Als u het onderdeel niet kan bereiken, neem dan contact op met de klantenservice van Haier.



- ▶ Spoel af en droog af met een zachte doek.
- ▶ Reinig de onderdelen van het apparaat niet in een vaatwasser.
- ▶ Laat het apparaat minstens 5 minuten rusten voordat u het opnieuw opstart, omdat vaak opstarten de compressor kan beschadigen.

Ontdoeien

De koelkast en de vriezer worden automatisch ontdooid; er is geen handmatige bediening nodig.

De ledlampjes vervangen



WAARSCHUWING!

Vervang de ledlamp niet zelf, deze mag alleen worden vervangen door de fabrikant of door de erkende servicevertegenwoordiger.

De lamp heeft een led als lichtbron, met een laag energieverbruik en een lange levensduur. Als er sprake is van een afwijking, neem dan contact op met de klantenservice. Zie KLANTENSERVICE.

Parameters van de lampen:

Deel	Ledlamp
Spanning	12 V
Maximaal vermogen	1,5 W
Led-specificaties	Wit-2835
LED-efficiëntieklasse	G
Gebruikstemperatuur	-40~80°C

Geen gebruik voor een langere periode

Als het apparaat gedurende langere tijd niet wordt gebruikt en u gebruikt niet de Holiday-functie bij de koelkast:

Haal het voedsel eruit.

Haal de stekker van het netsnoer uit het stopcontact.

Reinig het apparaat zoals hierboven beschreven.

Houd de deuren open om de vorming van nare geuren binnenin te voorkomen.



LET OP

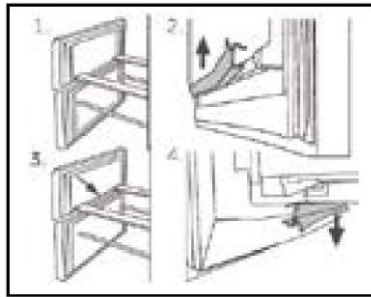
Schakel het apparaat alleen uit als dat echt nodig is.

Afneembare extra deurafdichtingen

Er zijn zes extra deurafdichtingen op de bovenste en onderste vriezerladen.

1. Zoek de vijf aangegeven deurafdichtingen op de bovenste en onderste vriezerladen.
2. Zorg ervoor dat de gebogen gedeelten van de afdichtingen naar binnen wijzen tijdens het aanbrengen.
3. Zoek de onderste afdichting van de bovenste lade op, zoals aangegeven.
4. Zorg ervoor dat het gebogen gedeelte van deze afdichting omlaag wijst tijdens het aanbrengen.

U krijgt deze afdichtingen en de afdichtingen voor de draaideur/-lade via de klantenservice (zie garantiekaart).



Het apparaat verplaatsen

1. Verwijder alle etenswaren en haal de stekker van het apparaat uit het stopcontact.
2. Maak planken en andere beweegbare delen in de koelkast en vriezer vast met plakband.
3. Kantel de koelkast niet meer dan 45° om schade aan het koelsysteem te voorkomen.



WAARSCHUWING!

- ▶ Til het apparaat niet op aan de grepen.
- ▶ Plaats het apparaat nooit horizontaal op de grond.



Veel problemen kunnen door uzelf worden opgelost zonder specifieke expertise. Raadpleeg in geval van een probleem alle getoonde mogelijkheden en volg de onderstaande instructies voordat u contact opneemt met de klantenservice. Zie KLANTENSERVICE.



WAARSCHUWING!

- ▶ Schakel het apparaat uit voordat u onderhoud uitvoert en haal de stekker uit het stopcontact.
- ▶ Elektrische apparatuur mag alleen worden onderhouden door gekwalificeerde elektrische experts, omdat onjuiste reparaties aanzienlijke gevolgschade kunnen veroorzaken.
- ▶ Als de voeding beschadigd is, mag deze alleen worden vervangen door de fabrikant, diens servicevertegenwoordiger of vergelijkbaar gekwalificeerde personen om gevaar te voorkomen.

Probleemoplossingstabel

Probleem	Mogelijke oorzaak	Mogelijke oplossing
De compressor werkt niet.	De netstekker is niet aangesloten op het stopcontact.	Steek de stekker in het stopcontact.
	Het apparaat is aan het ontdoien.	Dit is normaal voor automatisch ontdoien.
Het apparaat loopt vaak of te lang.	De binnen- of buitentemperatuur is te hoog.	In dit geval is het normaal dat het apparaat langer werkt.
	Het apparaat is een tijd lang niet ingeschakeld geweest.	Normaal gesproken duurt het 8–12 uur voordat het apparaat volledig is afgekoeld.
	Een deur/lade van het apparaat zit niet goed dicht.	Sluit de deur/lade en zorg ervoor dat het apparaat op een vlakke ondergrond staat en dat er geen etenswaren of voedselbakjes de deur blokkeren.
	De deur/lade is te vaak of te lang geopend.	Open de deur/lade niet te vaak.
	De temperatuurinstelling voor het vriezergedeelte is te laag.	Stel de temperatuur hoger in totdat een toereikende koelkasttemperatuur is bereikt. Het duurt 24 uur voordat de koelkasttemperatuur stabiel wordt.
	De deur-/ladepakkingen zijn vuil, versleten, gebarsten of niet goed op elkaar afgestemd.	Reinig de afdichtingen van de deur/lade of vervang ze via de klantenservice.
	De vereiste luchtcirculatie is niet gegarandeerd.	Zorg voor voldoende ventilatie.

Probleem	Mogelijke oorzaak	Mogelijke oplossing
De binnenkant van de koelkast is vuil en/of stinkt.	De binnenkant van de koelkast moet worden schoongemaakt.	Reinig de binnenkant van de koelkast.
	Er wordt voedsel met een sterke geur bewaard in de koelkast.	Verpak het voedsel goed.
Het is niet koud genoeg in het apparaat.	De temperatuur is te hoog ingesteld.	Stel de temperatuur opnieuw in.
	Er zijn te warme gerechten opgeslagen.	Laat de producten altijd afkoelen voordat u ze in de koelkast zet.
	Er is te veel voedsel in één keer bewaard.	Bewaar altijd kleine hoeveelheden voedsel.
	De producten zijn te dicht bij elkaar geplaatst.	Laat een gat tussen verschillende voedingsmiddelen waardoor lucht kan stromen.
	Een deur/lade van het apparaat zit niet goed dicht.	Sluit de deur/lade.
	De deur/lade is te vaak of te lang geopend.	Open de deur/lade niet te vaak.
Het is te koud in het apparaat.	De temperatuur is te laag ingesteld.	Stel de temperatuur opnieuw in.
	De Super Freeze-functie is geactiveerd of staat te lang aan.	Schakel de Super Freeze-functie uit.
Vochtvorming aan de binnenkant van het koelkastgedeelte.	Het klimaat is te warm en te vochtig.	Verhoog de temperatuur.
	Een deur/lade van het apparaat zit niet goed dicht.	Sluit de deur/lade.
	De deur/lade is te vaak of te lang geopend.	Open de deur/lade niet te vaak.
Vocht hoopt zich op het oppervlak aan de buitenkant van de koelkast en tussen de deuren/deur en lade op.	Voedselbakjes of vloeistoffen zijn open gelaten.	Laat warm voedsel afkoelen tot kamertemperatuur en dek voedsel en vloeistoffen af.
	Het klimaat is te warm en te vochtig.	Dit is normaal in een vochtig klimaat en zal veranderen wanneer de luchtvochtigheid daalt.
Veel ijs en rijp in het vriezergedeelte.	De deur/lade zit niet goed dicht.	Zorg dat de deur/lade goed dicht zit.
	De etenswaren zijn niet goed verpakt.	De etenswaren altijd goed verpakken.
Veel ijs en rijp in het vriezergedeelte.	De deur/lade is te vaak of te lang geopend.	Open de deur/lade niet te vaak.
	De deur-/ladepakkingen zijn vuil, versleten, gebarsten of niet goed op elkaar afgestemd.	Reinig de deur-/ladepakkingen of vervang ze door nieuwe.
	Iets aan de binnenkant voorkomt dat de deur/lade goed kan sluiten.	Verplaats de planken, deurrekken of bakken aan de binnenkant zo, dat de deur/lade kan worden gesloten.



Probleem	Mogelijke oorzaak	Mogelijke oplossing
Het apparaat maakt afwijkende geluiden.	Het apparaat staat niet op een vlakke ondergrond.	Stel de pootjes af om het apparaat waterpas te zetten.
	Het apparaat raakt voorwerpen rondom.	Verwijder voorwerpen rondom het apparaat.
Er is een licht geluid te horen dat lijkt op dat van stromend water.	Dit is normaal.	/
U hoort een alarm-piepton.	De deur van het koelkastgedeelte staat open.	Sluit de deur of zet het alarm handmatig af.
U hoort een zacht gebrom.	Het anticondensatiesysteem is aan het werk.	Dit voorkomt condensatie en is normaal.
De binnenverlichting of het koelsysteem werkt niet.	De netstekker is niet aangesloten op het stopcontact.	Steek de stekker in het stopcontact.
	De voeding is niet intact.	Controleer de elektrische voeding naar de kamer. Bel het plaatselijke elektriciteitsbedrijf!
	Het ledlampje is buiten werking.	Bel de klantenservice om het lampje te laten vervangen.
De zijkanten van de kast en de deurstrip worden warm.	Dit is normaal.	/
Er komt geen water uit de tuit van de waterdispenser.	De vergrendeling is niet gedeactiveerd.	Deactiveer de vergrendeling.



Stroomonderbreking

- ▶ In het geval van een stroomstoring, zou voedsel ongeveer 13 uur lang veilig koud moeten blijven. Volg de volgende tips tijdens een langdurige stroomstoring, vooral in de zomer.
- ▶ Plaats geen extra voedsel in het apparaat tijdens een stroomstoring.
- ▶ Als een stroomstoring vooraf wordt aangekondigd en de onderbrekingsduur langer is dan 13 uur, maak dan ijsblokjes en zet die in een bak op de bovenste plank van het koelkastgedeelte.
- ▶ Onmiddellijk na de onderbreking is een controle van de producten vereist.
- ▶ Aangezien de temperatuur in de koelkast stijgt tijdens een stroomonderbreking of een andere storing, wordt de bewaarperiode en de eetbare kwaliteit van voedsel nadelig beïnvloedt. Alle levensmiddelen die ontdooien moeten worden gegeten, of worden bereid en daarna zo snel mogelijk opnieuw worden ingevroren (indien van toepassing) om gezondheidsrisico's te voorkomen.



LET OP

Geheugenfunctie tijdens de stroomonderbreking

Na herstel van de stroom gaat het apparaat door met de instellingen die waren ingesteld voor de stroomstoring.

Ga naar onze website om contact op te nemen met de technische ondersteuning:
<https://corporate.haier-eu-ropo.com/en/>

Kies onder de kop 'website' het merk van uw product en uw land. U wordt doorgestuurd naar de specifieke website waar u het telefoonnummer en andere manieren kunt vinden om contact op te nemen met de technische dienst.

Uitpakken



WAARSCHUWING!

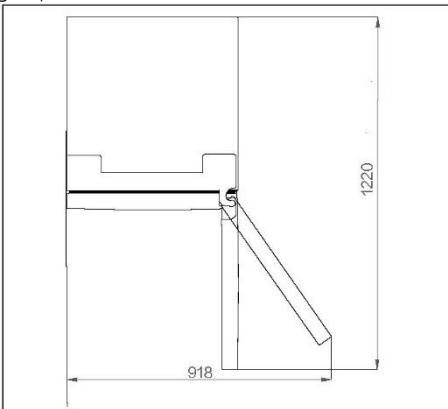
- ▶ Het apparaat is zwaar. Altijd hanteren met ten minste twee personen.
- ▶ Houd alle verpakkingsmaterialen buiten bereik van kinderen en gooi ze op een milieuvriendelijke manier weg.
- ▶ Haal het apparaat uit de verpakking.
- ▶ Verwijder al het verpakkingsmateriaal.

Omgevingsomstandigheden

De kamertemperatuur moet altijd tussen 10°C en 43°C liggen, aangezien het de temperatuur in het apparaat en het energieverbruik kan beïnvloeden. Installeer het apparaat niet in de buurt van andere warmtebronnen (ovens, koelkasten) zonder isolatie.

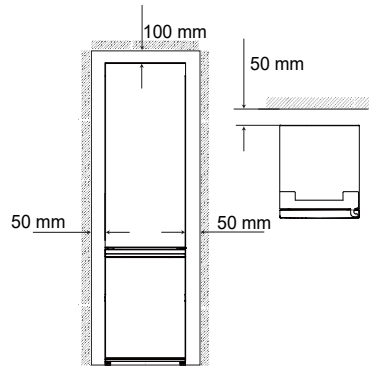
Ruimteaanbeveling

Aanbevolen ruimte als de deur wordt geopend.



Doorsnede van ventilatie

Om voldoende ventilatie van het apparaat te bereiken, met het oog op de veiligheid, raden we aan de ruimteaanbeveling in acht te nemen.

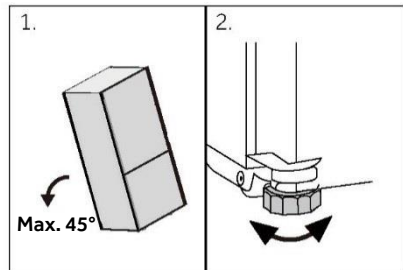


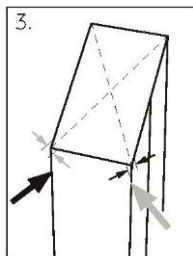
Het apparaat uitlijnen

Plaats het apparaat op een vlakke en stevige ondergrond.

1. Kantel de koelkast iets naar achteren.
2. Stel de voeten in op het gewenste niveau.

Zorg dat de afstand tot de wand aan de scharnierzijde ten minste 100 mm is om de deur goed te kunnen openen.

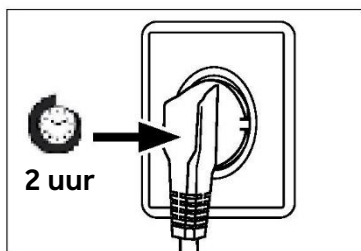




1. De stabiliteit kan worden gecontroleerd door afwisselend op de diagonalen te duwen. De lichte slingering moet in beide richtingen hetzelfde zijn. Anders kan het frame kromtrekken; mogelijk lekkende deurafdichtingen zijn het resultaat. Een kleine helling naar achteren vergemakkelijkt het sluiten van de deuren.

i LET OP

Bij een vrijstaand apparaat: dit koelapparaat is niet bedoeld voor gebruik als inbouwapparaat.



Wachttijd

De onderhoudsvrije smeerolie bevindt zich in de behuizing van de compressor. Deze olie kan door het gesloten buissysteem komen bij liggend transport. Voordat u het apparaat op de voeding aansluit, moet u ten minste 2 uur wachten zodat de olie weer in de behuizing loopt.

Elektrische aansluiting

Controleer vóór elke aansluiting of:

- ▶ voeding, stopcontact en zekering geschikt zijn volgens het typeplaatje;
- ▶ het stopcontact is geaard en er geen stekkerdoos of verlengsnoer is;
- ▶ de stekker en het stopcontact goed passen.

Sluit de stekker aan op een correct geïnstalleerd huishoudelijk stopcontact.



WAARSCHUWING!

Om risico's te vermijden moet een beschadigd netsnoer worden vervangen door de klantenservice (zie garantiekaart).



Omkeerbaarheid van de deur

Voordat u het apparaat aansluit op de voeding, moet u controleren of de zwaai van de deur moet veranderen van rechts (zoals geleverd) naar links, als dat nodig is voor de installatieplaats en de bruikbaarheid.

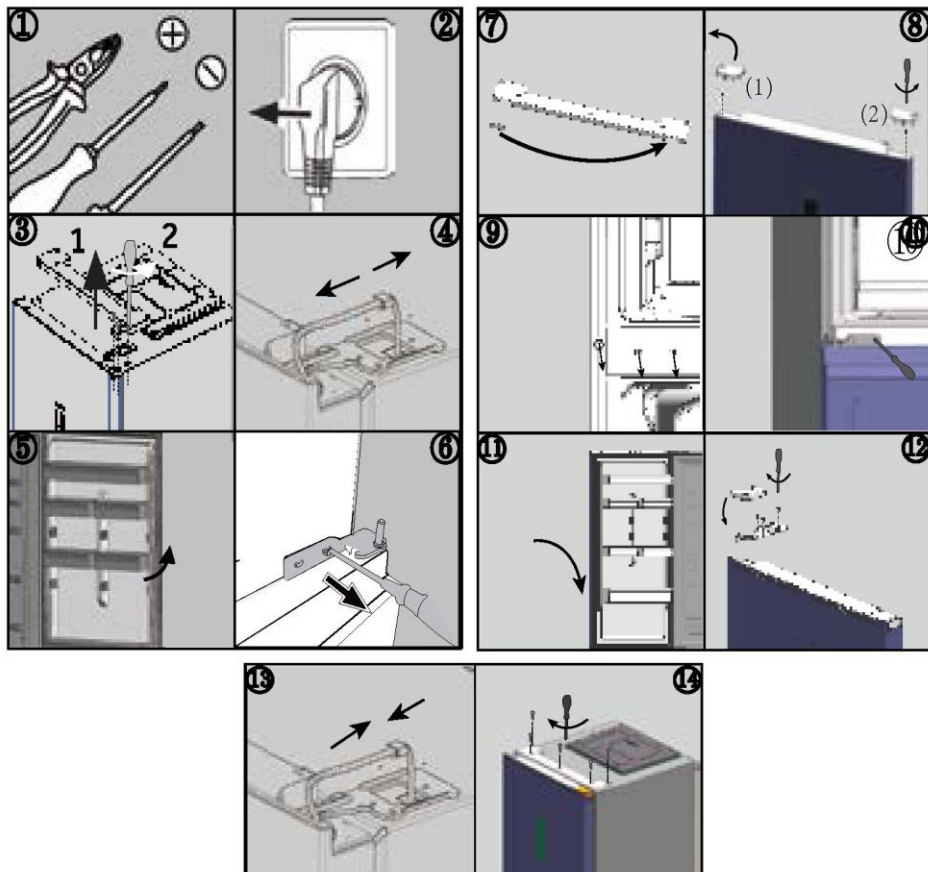


WAARSCHUWING!

- ▶ Het apparaat is zwaar. Er zijn twee personen nodig om de deur om te keren.
- ▶ Haal de stekker van het apparaat uit het stopcontact voordat u eraan gaat werken
- ▶ Kantel het apparaat niet meer dan 45° om schade aan het koelsysteem te voorkomen.

Montagestappen

1. Zorg voor het benodigde gereedschap.
 2. Haal de stekker van het apparaat uit het stopcontact.
 3. Verwijder de bovenste scharnierafdekking (1) en schroef het bovenste scharnier (drie schroeven) aan de rechterkant los (2).
 4. Haal de stekker uit het stopcontact
 5. Til de losse koelkastdeur voorzichtig van het middelste scharnier af.
 6. Verwijder het middelste scharnier.
 7. Verwijder de kleine afdekking van het voorpaneel van links naar rechts.
 8. Draai de deur ondersteboven en schroef de afdekking (1) los. Pak de nieuwe afdekking (2) uit het benodigde zakje en schroef het aan de tegenoverliggende zijde vast.
 9. Verander de posities van de afdichtpluggen en de schroef aan de zijkant.
 10. Schroef het middelste scharnier aan de linkerkant van het apparaat vast. Let op dat u het draaipunt van het middelste scharnier omdraait, zodat de kant met de pakking naar boven wijst.
 11. Til de bovenste deur voorzichtig op aan het middelste scharnier. Zorg ervoor dat het draaipunt in de scharnierschacht van de onderste deur past.
 12. Neem het nieuwe bovenste scharnier en de scharnierafdekking uit de zak met accessoires. Steek de aansluitkabel door het bovenste scharnier en bevestig het bovenste scharnier met de drie schroeven aan de linkerkant van het apparaat. Plaats de scharnierafdekking over het scharnier.
 13. Sluit de aansluitkabel aan.
 14. Plaats het voorpaneel terug en zet het vast met vijf schroeven.
- Controleer na de vervanging van de deur of de afdichtingen van de deur goed op de behuizing zitten en alle schroeven goed zijn vastgedraaid.



Omgevingstemperatuur

Subnormaal (SN): dit koelapparaat is bedoeld voor gebruik bij een omgevingstemperatuur van 10°C tot 32°C.

Normaal (N): dit koelapparaat is bedoeld voor gebruik bij een omgevingstemperatuur van 16°C tot 32°C.

Subtropisch (ST): dit koelapparaat is bedoeld voor gebruik bij een omgevingstemperatuur van 16°C tot 38°C.

Tropisch (T): dit koelapparaat is bedoeld voor gebruik bij een omgevingstemperatuur van 16°C tot 43°C.



Productparameters volgens verordening (EU)2019/2016

Gebaseerd op de resultaten van de standaardtest gedurende 24 uur. Het werkelijke energieverbruik is afhankelijk van de manier waarop het apparaat wordt gebruikt en de plaats waar het zich bevindt.

Model	HTW5618DN*	HTW5620DN*	HTW5618EN*
Type koelapparaat	Koelvriescombinatie	Koelvriescombinatie	Koelvriescombinatie
Energie-efficiëntieklasse	D	D	E
Jaarlijks energieverbruik (kWh/jaar)	217	226	271
Volume koelkastgedeelte (l)	201	255	201
Volume vriezergedeelte (l)	125	125	125
Volume koelcompartiment (l)	34	34	34
Vriesklasse	4 sterren	4 sterren	4 sterren
Type ontdooien	Automatisch ontdooien	Automatisch ontdooien	Automatisch ontdooien
Temperatuurstijgingstijd (uur)	13	13	11
Vriescapaciteit (kg/24 uur)	10,0	10,0	10,0
Klimaatklasse	SN.N.ST.T.	SN.N.ST.T.	SN.N.ST.T.
Geluidsemisatieklasse en geluidsemisatie via de lucht (dB(A) re 1 pW)	B(35)	B(35)	B(35)



Model	HTW5618CN*	HTW5620CN*	HTW5620EN*
Type koelapparaat	Koelvriescombinatie	Koelvriescombinatie	Koelvriescombinatie
Energie-efficiëntieklasse	C	C	E
Jaarlijks energieverbruik (kWh/jaar)	173	181	283
Volume koelkastgedeelte (l)	201	255	255
Volume vriezergedeelte (l)	125	125	125
Volume koelcompartiment (l)	34	34	34
Vriesklasse	4 sterren	4 sterren	4 sterren
Type ontdooien	Automatisch ontdooien	Automatisch ontdooien	Automatisch ontdooien
Temperatuurstijgingstijd (uur)	13	13	11
Vriescapaciteit (kg/24 uur)	10,0	10,0	10,0
Klimaatklasse	SN.N.ST.T.	SN.N.ST.T.	SN.N.ST.T.
Geluidsemisatieklasse en geluidsemisatie via de lucht (dB(A) re 1 pW)	B(35)	B(35)	B(35)



Model	HDPW5618DN*	HDPW5620DN*	HDPW3620DN*
Type koelapparaat	Koelvriescombinatie	Koelvriescombinatie	Koelvriescombinatie
Energie-efficiëntieklasse	D	D	D
Jaarlijks energieverbruik (kWh/jaar)	214	220	220
Volume koelkastgedeelte (l)	201	255	255
Volume vriezergedeelte (l)	117	117	117
Volume koelcompartiment (l)	34	34	34
Vriesklasse	4 sterren	4 sterren	4 sterren
Type ontdooien	Automatisch ontdooien	Automatisch ontdooien	Automatisch ontdooien
Temperatuurstijgingstijd (uur)	13	13	13
Vriescapaciteit (kg/24 uur)	10,0	10,0	10,0
Klimaatklasse	SN.N.ST.T.	SN.N.ST.T.	SN.N.ST.T.
Geluidsemisatieklasse en geluidsemisatie via de lucht (dB(A) re 1 pW)	B(35)	B(35)	B(35)



Model	HDPW3618DN*	HDPW5620CN*	HTW3620DN*
Type koelapparaat	Koelvriescombinatie	Koelvriescombinatie	Koelvriescombinatie
Energie-efficiëntieklasse	D	D	D
Jaarlijks energieverbruik (kWh/jaar)	214	176	226
Volume koelkastgedeelte (l)	201	255	255
Volume vriezergedeelte (l)	117	117	125
Volume koelcompartiment (l)	34	34	34
Vriesklasse	4 sterren	4 sterren	4 sterren
Type ontdooien	Automatisch ontdooien	Automatisch ontdooien	Automatisch ontdooien
Temperatuurstijgingstijd (uur)	13	13	13
Vriescapaciteit (kg/24 uur)	10,0	10,0	10,0
Klimaatklasse	SN.N.ST.T.	SN.N.ST.T.	SN.N.ST.T.
Geluidsemisatieklasse en geluidsemisatie via de lucht (dB(A) re 1 pW)	B(35)	B(35)	B(35)



Model	HDPW5618CN*	HDPW5620CN*	HDPW5620AN*
Type koelapparaat	Koelvriescombinatie	Koelvriescombinatie	Koelvriescombinatie
Energie-efficiëntieklasse	C	C	A
Jaarlijks energieverbruik (kWh/jaar)	171	176	114
Volume koelkastgedeelte (l)	201	255	255
Volume vriezergedeelte (l)	117	117	120
Volume koelcompartiment (l)	34	34	34
Vriesklasse	4 sterren	4 sterren	4 sterren
Type ontdooien	Automatisch ontdooien	Automatisch ontdooien	Automatisch ontdooien
Temperatuurstijgingstijd (uur)	13	13	16
Vriescapaciteit (kg/24 uur)	10,0	10,0	10,0
Klimaatklasse	SN.N.ST.T.	SN.N.ST.T.	SN.N.ST.T.
Geluidsemisieklassie en geluidsemisissie via de lucht (dB(A) re 1 pW)	B(35)	B(35)	B(35)

Aanvullende technische gegevens

Model	HTW5618DN*	HTW5618EN*	HTW5620DN*
Totaal volume (liter)	360	360	414
Spanning/frequentie	220~240 V ~/50 Hz	220~240 V ~/50 Hz	220~240 V ~/50 Hz
Ingangsstroom (A)	1,4	1,4	1,4
Belangrijkste zekering (A)	16	16	16
Koelmiddel	R600a (53 g)	R600a (53 g)	R600a (53 g)
Afmetingen (B/D/H in mm)	595x667x1850	595x667x1850	595x667x2050

Model	HTW5618CN*	HTW5620CN*	HTW5620EN*
Totaal volume (liter)	360	414	414
Spanning/frequentie	220~240V/50Hz	220~240V/50Hz	220~240V/50Hz
Ingangsstroom (A)	1,4	1,4	1,4
Belangrijkste zekering (A)	15	15	16
Koelmiddel	R600a(50g)	R600a(50g)	R600a(53g)
Afmetingen (B/D/H in mm)	595*667*1850	595*667*2050	595*667*2050



Model	HDPW5618DN*	HDPW5620DN*	HDPW3620DN*
Totaal volume (liter)	352	406	406
Spanning/frequentie	220~240V/50Hz	220~240V/50Hz	220~240V/50Hz
Ingangsstroom (A)	1.4	1.4	1.4
Belangrijkste zekering (A)	16	16	16
Koelmiddel	R600a(53g)	R600a(53g)	R600a(53g)
Afmetingen (B/D/H in mm)	595*667*1850	595*667*2050	595*667*2050

Model	HDPW5618CN*	HDPW5620CN*	HDPW5620AN*
Totaal volume (liter)	352	406	409
Spanning/frequentie	220~240 V ~/50 Hz	220~240 V ~/50 Hz	220~240 V ~/50 Hz
Ingangsstroom (A)	1,4	1,4	1,4
Belangrijkste zekering (A)	15	15	15
Koelmiddel	R600a (50 g)	R600a (50 g)	R600a (50 g)
Afmetingen (B/D/H in mm)	595x667x1850	595x667x2050	595x667x2050



Model	HDPW5618CN*	HDPW5620CN*	HDPW5620AN*
Totaal volume (liter)	352	406	409
Spanning/frequentie	220~240V/50Hz	220~240V/50Hz	220~240V/50Hz
Ingangsstroom (A)	1.4	1.4	1.4
Belangrijkste zekering (A)	15	15	16
Koelmiddel	R600a(50g)	R600a(50g)	R600a(50g)
Afmetingen (B/D/H in mm)	595*667*1850	595*667*2050	595*667*2050



Wij adviseren onze Haier-klantenservice en het gebruik van originele onderdelen. Als u een probleem hebt met uw apparaat, controleer dan eerst het hoofdstuk **PROBLEMEN OPLOSSEN**.

Als u daar geen oplossing kunt vinden, neem dan contact op met

- ▶ uw plaatselijke dealer; of
- ▶ ons Europese service-callcentrum (zie onderstaande telefoonnummers); of
- ▶ het gedeelte Service & Support op www.haier.com, waar u de serviceclaim kunt activeren
- ▶ en ook veelgestelde vragen kunt vinden.

Om contact op te nemen met onze klantenservice, moet u ervoor zorgen dat u over de volgende gegevens beschikt.

De informatie is te vinden op het typeplaatje.

Model _____

Serienummer _____

Controleer ook de garantiekaart die met het product is meegeleverd in geval van garantie.

Europees service-callcentrum		
Land*	Telefoonnummer	Kosten
Haier Italy (IT)	199 100 912	
Haier Spain (ES)	902 509 123	
Haier Germany (DE)	0180 5 39 39 99	<ul style="list-style-type: none"> • 14 ct/min – vaste lijn • max. 42 ct/min – mobiel
Haier Austria (AT)	0820 001 205	<ul style="list-style-type: none"> • 14,53 ct/min – vaste lijn • max. 20 ct/min – alle andere
Haier United Kingdom (UK)	0333 003 8122	
Haier France (FR)	0980 406 409	



* Voor andere landen verwijzen wij u naar www.haier.com

Haier Europe Trading S.r.l

Branch UK

Westgate House, Westgate, Ealing

London, W5 1YY, Verenigd Koninkrijk

*Duur van de garantie van het koelapparaat:

De minimumgarantie is: 2 jaar voor EU-landen, 3 jaar voor Turkije, 1 jaar voor het Verenigd Koninkrijk, 1 jaar voor Rusland, 3 jaar voor Zweden, 2 jaar voor Servië, 5 jaar voor Noorwegen, 1 jaar voor Marokko, 6 maanden voor Algerije, Tunesië geen wettelijke garantie vereist.

*De beschikbaarheidsperiode van reserveonderdelen voor reparatie van het apparaat:

Thermostaten, temperatuursensoren, printplaten en lichtbronnen zijn gedurende minimaal zeven jaar na het op de markt brengen van de laatste eenheid van het model beschikbaar.

Deurgrepen, deurscharnieren, bakken en manden zijn minimaal zeven jaar en deurrubbers minimaal tien jaar na het in de handel brengen van de laatste eenheid van het model verkrijgbaar.

*Raadpleeg voor meer informatie over het product <https://eprel.ec.europe.eu/> of scan de QR-code op het energielabel dat met het apparaat wordt meegeleverd.




Haier

2023 Versie A



0060534356

<u>419</u> Informacje dotyczące bezpieczeństwa	•	Przed pierwszym użyciem	420
		Instalacja	420
		Codzienne użytkowanie	421
<u>424</u> Przeznaczenie	•		
<u>425</u> Opis produktu	•		
<u>429</u> Panel sterowania	•		
<u>430</u> Użytkowanie	•	Wyreguluj temperaturę chłodziarki	431
		Ustaw temperaturę zamrażarki	431
		Ustaw temperaturę My Zone	431
		Funkcja Super Cool	432
		Funkcja Super Freeze	433
<u>438</u> Sprzęt	•		
<u>442</u> Wskazówki dotyczące oszczędzania energii	•		
<u>443</u> Pielęgnacja i czyszczenie	•		
<u>446</u> Usuwanie usterek	•		
<u>450</u> Instalacja	•		
<u>454</u> Dane techniczne	•		
<u>460</u> Obsługa klienta	•		



• Aby wyświetlić szczegółowe informacje, kliknij odpowiednią pozycję spisu treści.



Dziękujemy za zakup produktu firmy Haier.

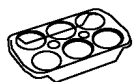
Przed użyciem urządzenia należy dokładnie przeczytać niniejsze instrukcje. Instrukcje zawierają ważne informacje, które pomogą możliwie najlepiej wykorzystać funkcje urządzenia, bezpiecznie i prawidłowo je zainstalować, eksploatować oraz konserwować.

Niniejszą instrukcję obsługi należy przechowywać w dostępnym miejscu, aby móc z niej zawsze skorzystać w celu bezpiecznego i właściwego użytkowania urządzenia.

Przy sprzedaży urządzenia należy do niego dołączyć niniejszą instrukcję obsługi, a w przypadku przeprowadzki przekazać ją nowemu właścicielowi, aby mógł się zapoznać z urządzeniem i ostrzeżeniami dotyczącymi bezpieczeństwa.

Akcesoria

Sprawdź akcesoria i materiały zgodnie z tą listą:



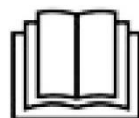
Tacka na jajka



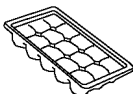
Etykieta wydajności energetycznej



Karta gwarancyjna



Instrukcja obsługi



Tacka na lód



Zawiasy drzwi



Ostona zawiasu



Wkładka nasadki

**OSTRZEŻENIE - Ważne informacje dotyczące bezpieczeństwa****UWAGA - Ogólne informacje i wskazówki****Informacje dotyczące ochrony środowiska****Utylizacja**

Pomóż chronić środowisko i ludzkie zdrowie. Wyrzuć opakowanie do odpowiednich pojemników do recyklingu. Pomóż w recyklingu odpadów z urządzeń elektrycznych i elektronicznych. Nie wyrzucaj urządzeń oznaczonych tym symbolem razem z odpadami domowymi. Oddaj produkt do miejscowego zakładu recyklingu lub skontaktuj się z urzędem miejskim.

**OSTRZEŻENIE!**

Ryzyko obrażeń lub uduszenia!

Czynniki chłodnicze i gazy muszą być utylizowane w profesjonalny sposób. Przed utylizacją upewnij się, że przewody układu chłodniczego nie są uszkodzone. Odłącz urządzenie od zasilania sieciowego. Odetnij przewód zasilający i zutylizuj go. Usuń tace i szuflady oraz zamek drzwi i uszczelki, aby zapobiec zamknięciu się dzieci i zwierząt w urządzeniu.



Przed włączeniem urządzenia po raz pierwszy, przeczytaj poniższe wskazówki dotyczące bezpieczeństwa:



OSTRZEŻENIE!

Przed pierwszym użyciem

- ▶ Upewnij się, że nie ma uszkodzeń powstałych podczas transportu.
- ▶ Usunąć wszystkie opakowania i przechowywać w miejscu niedostępnym dla dzieci.
- ▶ Odczekaj co najmniej dwie godziny przed zainstalowaniem urządzenia, aby upewnić się, że obwód czynnika chłodniczego jest w pełni efektywny.
- ▶ Zawsze przenoś urządzenie z pomocą co najmniej dwóch osób, ponieważ jest ono ciężkie.

Instalacja

- ▶ Urządzenie powinno być umieszczone w dobrze wentylowanym miejscu. Zapewnij przestrzeń co najmniej 10 cm nad urządzeniem i wokół niego.
- ▶ Nigdy nie umieszczaj urządzenia w wilgotnym miejscu lub w takim, w którym może być ochlapanie wodą. Zetrzyj plamy i zachlapania do sucha miękką i czystą ściereczką.
- ▶ Nie instaluj urządzenia w miejscu, w którym będzie narażone na bezpośrednie działanie słońca lub w pobliżu źródeł ciepła (np. pieców, grzejników).
- ▶ Zainstaluj i wypoziomuj urządzenie w miejscu odpowiednim dla jego wielkości i przeznaczenia.
- ▶ Należy dbać o drożność otworów wentylacyjnych w obudowie urządzenia wolnostojącego lub w konstrukcji do zabudowy.
- ▶ Upewnij się, że informacje dotyczące elektryki na tabliczce znamionowej są zgodne z parametrami zasilania. Jeśli tak nie jest, skontaktuj się z elektrykiem.
- ▶ Urządzenie jest zasilane prądem 220–240 V AC/50 Hz. Odbiegające od normy wahania napięcia mogą spowodować niewłączenie się urządzenia albo uszkodzenie regulatora temperatury lub sprężarki. Mogą też być przyczyną nietypowego hałasu podczas pracy. W takim przypadku powinien zostać zamontowany automatyczny regulator.
- ▶ Nie używaj adapterów wtyczek i przedłużaczy.
- ▶ Za urządzeniem nie należy umieszczać kilku listew zasilających ani przenośnych zasilaczy.
- ▶ Upewnij się, że kabel zasilający nie jest przytrzaśnięty przez chłodziarkę. Nie stawaj na przewodzie zasilającym.



OSTRZEŻENIE!

- ▶ Używaj oddzielnego, łatwo dostępnego i uziemionego gniazdka. Urządzenie musi być uziemione.
Dotyczy tylko Wielkiej Brytanii: Kabel zasilający urządzenie jest wyposażony we wtyczkę z 3 bolcami (z uziemieniem), która pasuje do standardowego gniazda z 3 przewodami (z uziemieniem). Nigdy nie odcinaj ani nie demontuj trzeciego bolca (z uziemieniem). Po zainstalowaniu urządzenia wtyczka powinna być łatwo dostępna.
- ▶ Uważaj, aby nie uszkodzić obwodu chłodniczego.

Codzienne użytkowanie

- ▶ Urządzenie może być obsługiwane przez dzieci powyżej 8 roku życia i przez osoby o ograniczonych możliwościach fizycznych, sensorycznych lub umysłowych lub osoby nieposiadające doświadczenia ani wiedzy pod warunkiem, że są one pod odpowiednim nadzorem lub zostały poinstruowane, jak bezpiecznie obsługiwać urządzenie i rozumieją związane z nim zagrożenia.
- ▶ Dzieciom w wieku od 3 do 8 lat wolno ładować i rozładowywać, ale nie wolno czyścić ani instalować urządzeń chłodniczych.
- ▶ Trzymaj z dala od urządzenia dzieci poniżej 3 roku życia, chyba że są pod stałym nadzorem.
- ▶ Dzieci nie powinny bawić się urządzeniem.
- ▶ Jeśli czynnik chłodniczy lub inny łatwopalny gaz wycieka w pobliżu urządzenia, zamknij zawór wyciekającego gazu, otwórz drzwi oraz okna i nie odłączaj kabla zasilającego chłodziarki lub innego urządzenia.
- ▶ Zwróć uwagę, że urządzenie jest ustawione do pracy w określonym zakresie temperatur pomiędzy 10 a 43°C. Chłodziarka może nie pracować prawidłowo, jeśli pozostanie na dłuższy czas w temperaturze powyżej lub poniżej podanego zakresu.
- ▶ Na chłodziarce nie należy umieszczać niestabilnych przedmiotów (ciężkich przedmiotów, pojemników wypełnionych wodą), aby uniknąć obrażeń ciała spowodowanych upadkiem lub porażeniem prądem elektrycznym w wyniku kontaktu z wodą.
- ▶ Nie ciągnij za półki drzwiowe. Drzwi mogą być pochylone, stojak na butelki może zostać wyciągnięty lub urządzenie może się przewrócić.
- ▶ Otwieraj i zamykaj drzwi tylko za pomocą klamek. Szczelina między drzwiami a obudową jest bardzo wąska. Nie trzymaj rąk w tych obszarach, aby uniknąć przycięcia palców. Otwieraj i zamykaj drzwi chłodziarki tylko wtedy, gdy nie ma dzieci stojących w obrębie ruchu drzwi.



OSTRZEŻENIE!

- ▶ Nie przechowuj ani nie używaj materiałów łatwopalnych, wybuchowych lub żrących w urządzeniu lub w jego sąsiedztwie.
- ▶ Nie należy przechowywać w urządzeniu leków, bakterii lub substancji chemicznych. To urządzenie jest urządzeniem gospodarstwa domowego. Nie zaleca się przechowywania materiałów, które wymagają ściśle określonej temperatury.
- ▶ Nigdy nie przechowuj płynów w butelkach lub puszkach (oprócz alkoholi wysokoprocentowych), zwłaszcza napojów gazowanych w zamrażarce, ponieważ mogą one pęknąć podczas zamrażania.
- ▶ Sprawdź stan żywności, jeśli w zamrażarce miało miejsce zwiększenie temperatury.
- ▶ Nie ustawiaj niepotrzebnie niskiej temperatury w komorze chłodziarki. Ujemne temperatury mogą wystąpić przy wysokich ustawieniach. Uwaga: Butelki mogą wybuchnąć
- ▶ Nie dotykaj zamrożonych towarów mokrymi rękami (załóż rękawiczki). Szczególnie nie należy jeść lizaków lodowych bezpośrednio po wyjęciu z komory zamrażarki. Istnieje ryzyko przymarznięcia naskórka lub powstania pęcherzy. PIERWSZA pomoc: Natychmiast polać miejsce przymarznięcia bieżącą zimną wodą. Nie odrywaj!
- ▶ Nie dotykaj wnętrza komory zamrażarki podczas pracy, zwłaszcza mokrymi rękami, ponieważ mogą one przymarznąć do jej powierzchni.
- ▶ Odłącz urządzenie w przypadku przerwy w zasilaniu lub przed czyszczeniem. Nie uruchamiaj ponownie urządzenia przez co najmniej 7 minut, ponieważ szybkie włączenie może doprowadzić do uszkodzenia sprężarki.
- ▶ Nie używaj urządzeń elektrycznych wewnątrz komór do przechowywania żywności, chyba że są to urządzenia typu zalecanego przez producenta. Konserwacja / czyszczenie
- ▶ Upewnij się, że dzieci są nadzorowane podczas czyszczenia i konserwacji urządzenia.
- ▶ Przed przystąpieniem do rutynowej konserwacji należy odłączyć urządzenie od zasilania elektrycznego. Odczekaj co najmniej 5 minut przed ponownym uruchomieniem urządzenia, ponieważ częste uruchamianie może uszkodzić sprężarkę.

**OSTRZEŻENIE!**

- ▶ Podczas odłączania urządzenia trzymaj za wtyczkę, a nie za przewód.
- ▶ Nie czyść urządzenia za pomocą twardych szczotek, szczotek drucianych, detergentów proszkowych, benzyny, octanu amylu, acetonu i podobnych roztworów organicznych, kwasu lub roztworów alkalicznych. Do czyszczenia należy używać specjalnego detergentu do chłodziarek, aby uniknąć uszkodzenia.
- ▶ Nie zeskrobuj szronu i lodu ostrymi przedmiotami. Nie używaj rozpylaczy, grzejników elektrycznych, takich jak suszarka do włosów, myjek parowych lub innych źródeł ciepła, aby uniknąć uszkodzenia plastikowych części.
- ▶ Nie używaj urządzeń mechanicznych ani innych środków do przyspieszania procesu rozmrażania, chyba że są one zalecane przez producenta.
- ▶ Jeśli kabel zasilający ulegnie uszkodzeniu, dla bezpieczeństwa należy zlecić jego wymianę producentowi, autoryzowanemu serwisowi lub osobom o podobnych kwalifikacjach.
- ▶ Nie należy próbować samodzielnie naprawiać, demontować ani modyfikować urządzenia. W przypadku konieczności naprawy prosimy o kontakt z naszym działem obsługi klienta.
- ▶ Usuń kurz z tyłu urządzenia co najmniej raz w roku, aby uniknąć zagrożenia ogniem, a także zwiększonego zużycia energii.
- ▶ Nie używaj aerozolu ani nie przepłukuj urządzenia podczas czyszczenia.
- ▶ Nie używaj wody lub pary do czyszczenia urządzenia.
- ▶ Nie czyść zimnych szklanych półek gorącą wodą. Nagła zmiana temperatury może spowodować pęknięcie szkła.

Informacje dotyczące czynnika chłodniczego**OSTRZEŻENIE!**

Urządzenie zawiera łatwopalny czynnik chłodniczy IZOBUTAN (R600a). Upewnij się, że układ chłodniczy nie został uszkodzony podczas transportu lub instalacji. Wyciek czynnika może spowodować uszkodzenie wzroku lub zapalenie. Jeśli wystąpiło uszkodzenie, trzymaj urządzenie z dala od otwartych źródeł ognia, dokładnie przewietrz pomieszczenie, nie podłączaj ani nie odłączaj kabli zasilających tego lub innego urządzenia. Poinformuj obsługę klienta.

W przypadku kontaktu czynnika chłodniczego z oczami natychmiast przepłucz je pod bieżącą wodą i natychmiast skontaktuj się z okulistą.



Przeznaczenie

To urządzenie jest przeznaczone do chłodzenia i zamrażania żywności. Zostało zaprojektowane wyłącznie do użytku w gospodarstwach domowych i podobnych zastosowaniach, takich jak pomieszczenia kuchenne dla personelu w sklepach, biurach i innych środowiskach pracy; w gospodarstwach rolnych oraz przez klientów w hotelach, motelach i innych obiektach mieszkalnych, a także w pensjonatach i gastronomii. Nie jest przeznaczone do użytku komercyjnego ani przemysłowego. Zmiany lub modyfikacje urządzenia są niedozwolone. Użycie niezgodne z przeznaczeniem może spowodować zagrożenie i utratę roszczeń gwarancyjnych.

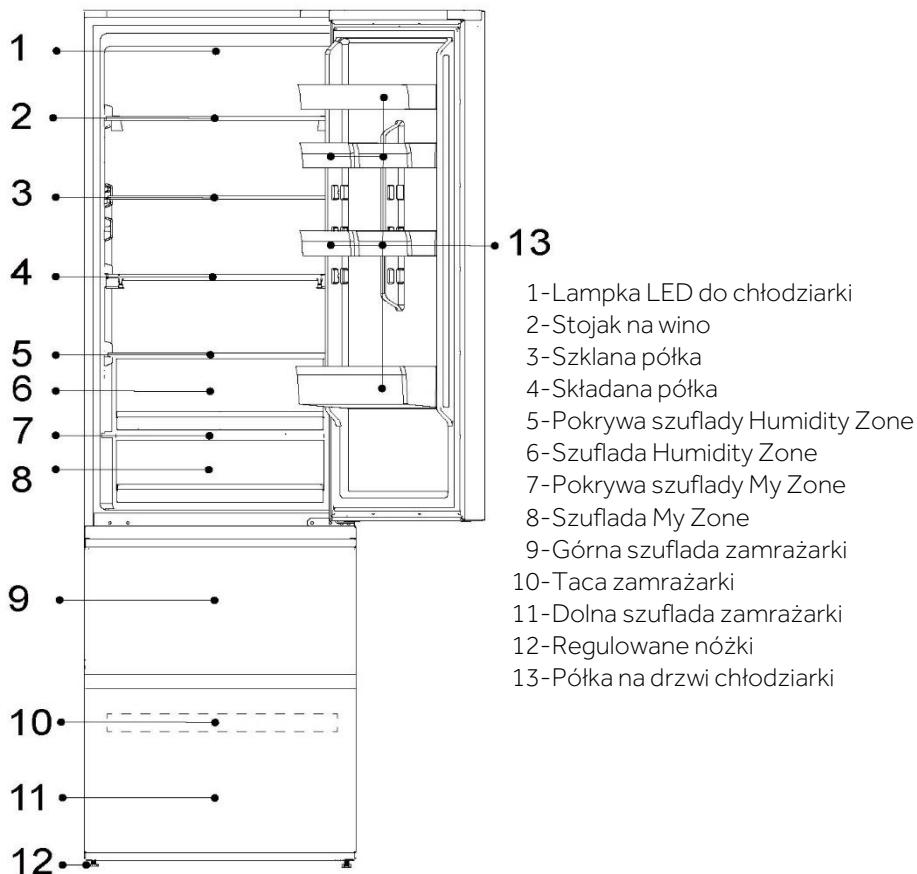
Normy i dyrektywy

Produkt ten spełnia wymagania wszystkich obowiązujących dyrektyw UE z odpowiednimi normami zharmonizowanymi, które przewidują oznakowanie CE.

i UWAGA

Z powodu zmian technicznych i różnych modeli, niektóre ilustracje w tej instrukcji mogą się różnić od modelu.

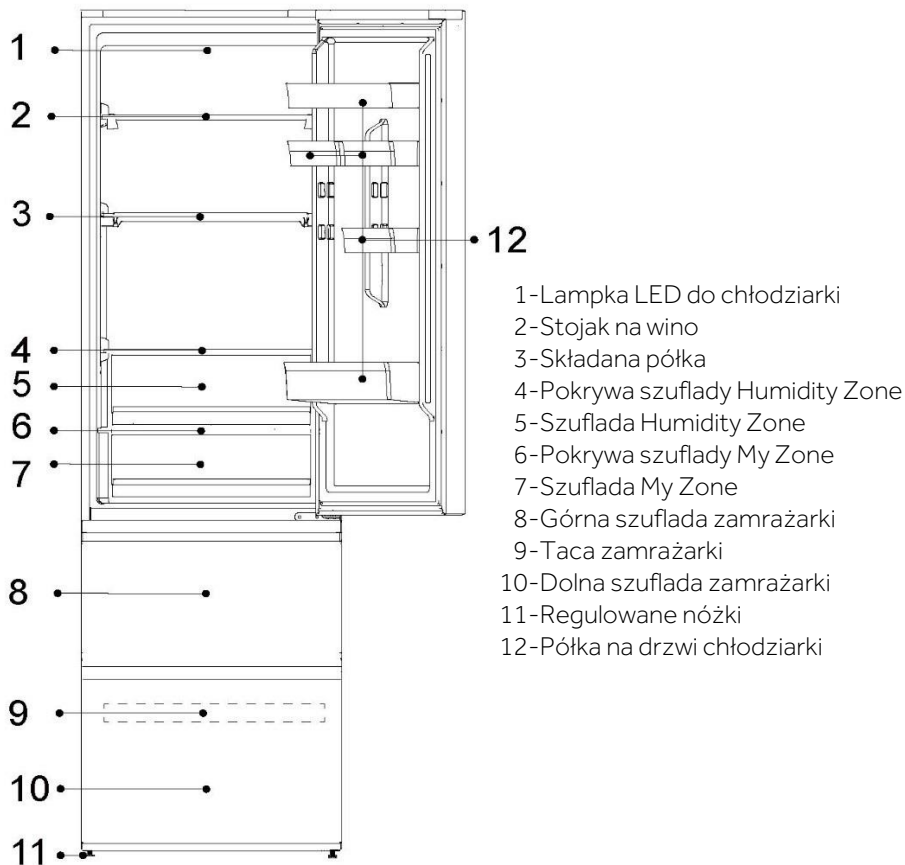
(HTW5620EN*, HTW5620DN*, HTW5620CN*)



i UWAGA

Z powodu zmian technicznych i różnych modeli, niektóre ilustracje w tej instrukcji mogą się różnić od modelu.

(HTW5618DN*, HTW5618CN*, HTW5618EN*)

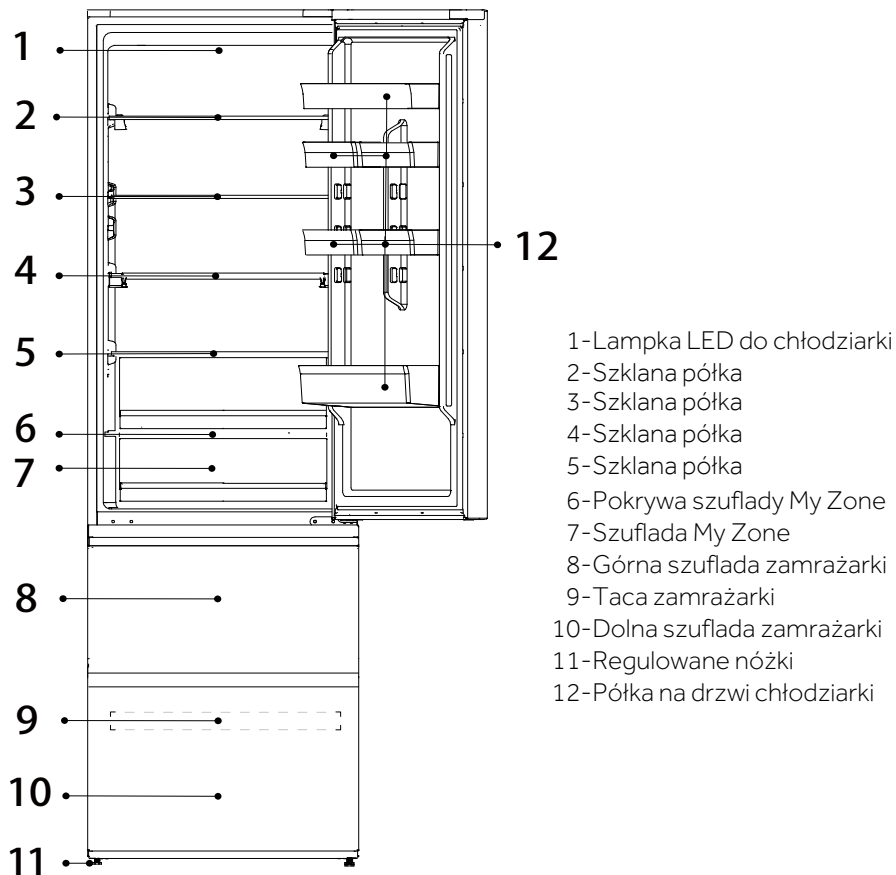


- 1-Lampka LED do chłodziarki
- 2-Stojak na wino
- 3-Składana półka
- 4-Pokrywa szuflady Humidity Zone
- 5-Szuflada Humidity Zone
- 6-Pokrywa szuflady My Zone
- 7-Szuflada My Zone
- 8-Górna szuflada zamrażarki
- 9-Taca zamrażarki
- 10-Dolna szuflada zamrażarki
- 11-Regulowane nóżki
- 12-Półka na drzwi chłodziarki

i UWAGA

Z powodu zmian technicznych i różnych modeli, niektóre ilustracje w tej instrukcji mogą się różnić od modelu.

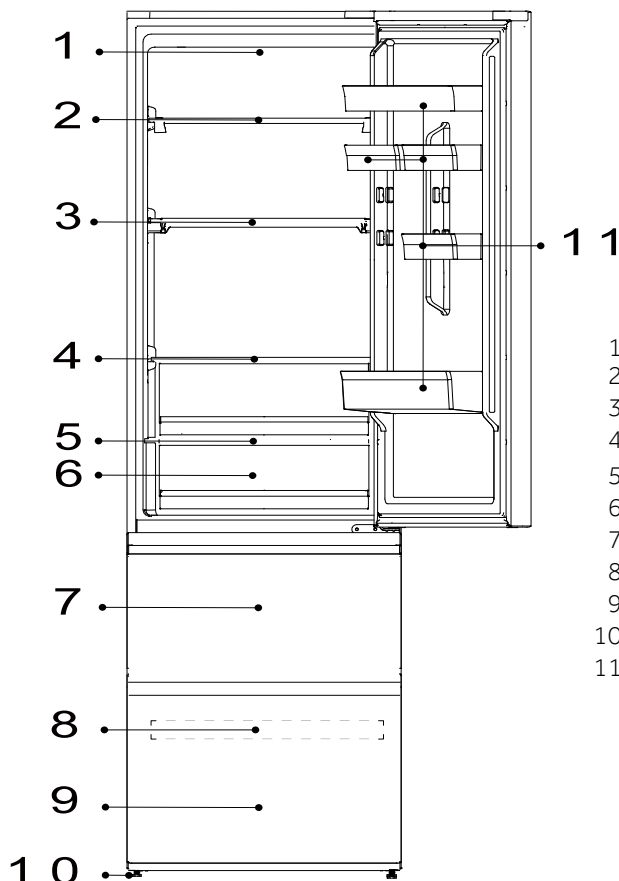
(HTW3620EN*, HTW3620DN*, HTW3620CN*)



i UWAGA

Z powodu zmian technicznych i różnych modeli, niektóre ilustracje w tej instrukcji mogą się różnić od modelu.

(HTW3618EN*, HTW3618DN*, HTW3618CN*)

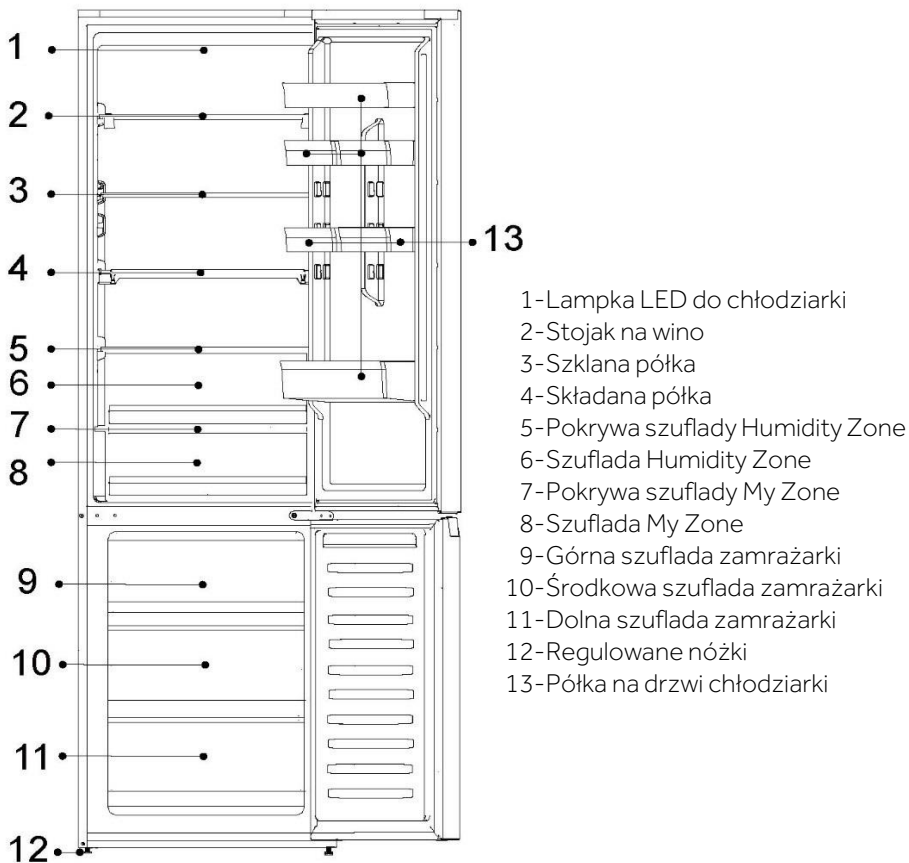


- 1-Lampka LED do chłodziarki
- 2-Szklana półka
- 3-Szklana półka
- 4-Szklana półka
- 5-Pokrywa szuflady My Zone
- 6-Szuflada My Zone
- 7-Górna szuflada zamrażarki
- 8-Taca zamrażarki
- 9-Dolna szuflada zamrażarki
- 10-Regulowane nóżki
- 11-Półka na drzwi chłodziarki

i UWAGA

Z powodu zmian technicznych i różnych modeli, niektóre ilustracje w tej instrukcji mogą się różnić od modelu.

(HDPW5620DN*, HDPW5620CN*, HDPW5620BN*, HDPW5620AN*)

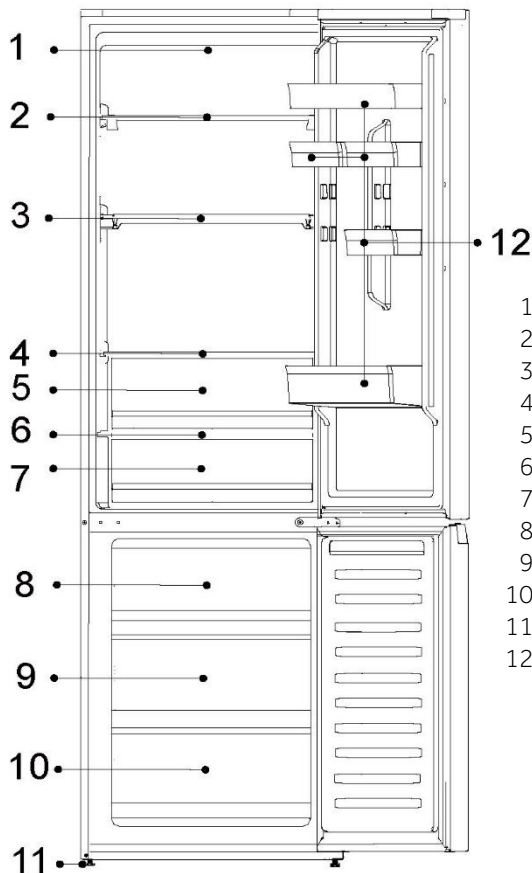




i UWAGA

Z powodu zmian technicznych i różnych modeli, niektóre ilustracje w tej instrukcji mogą się różnić od modelu.

(HDPW5618DN*, HDPW5618CN*)

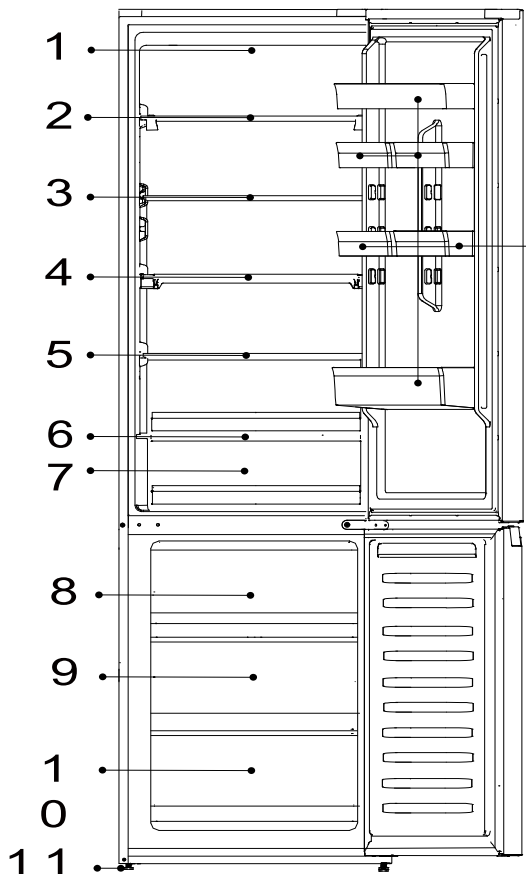


- 1-Lampka LED do chłodziarki
- 2-Stojak na wino
- 3-Składana półka
- 4-Pokrywa szuflady Humidity Zone
- 5-Szuflada Humidity Zone
- 6-Pokrywa szuflady My Zone
- 7-Szuflada My Zone
- 8-Górna szuflada zamrażarki
- 9-Środkowa szuflada zamrażarki
- 10-Dolna szuflada zamrażarki
- 11-Regulowane nóżki
- 12-Półka na drzwi chłodziarki

**i UWAGA**

Z powodu zmian technicznych i różnych modeli, niektóre ilustracje w tej instrukcji mogą się różnić od modelu.

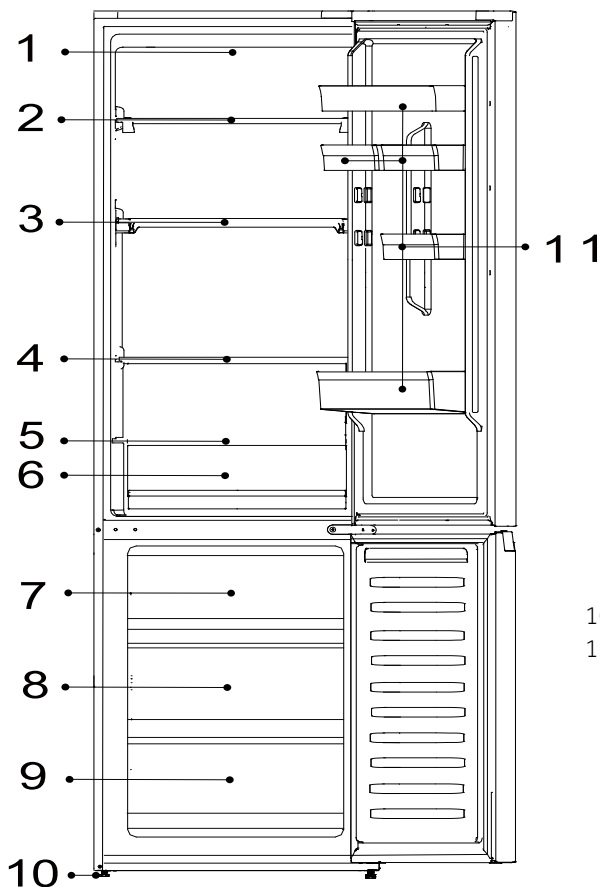
(HDPW3620DN*, HDPW3620CN*)



- 1-Lampka LED do chłodziarki
- 2-Szklana półka
- 3-Szklana półka
- 4-Szklana półka
- 5-Szklana półka
- 6-Pokrywa szuflady My Zone
- 7-Szuflada My Zone
- 8-Górna szuflada zamrażarki
- 9-Taca zamrażarki
- 10-Dolna szuflada zamrażarki
- 11-Regulowane nóżki
- 12-Półka na drzwi chłodziarki

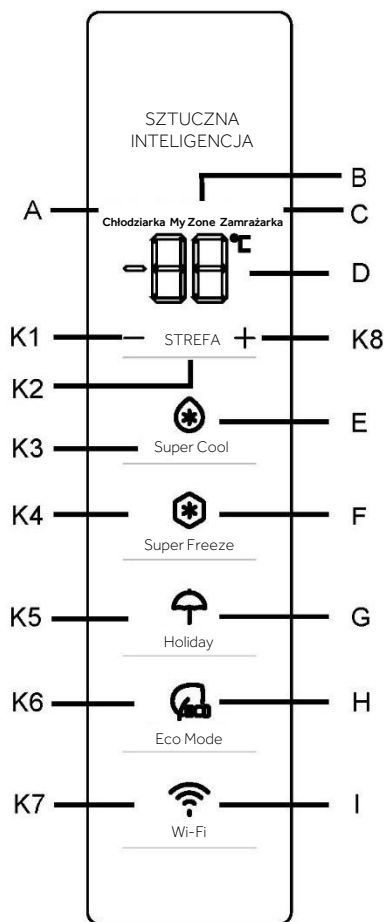
i UWAGA

Z powodu zmian technicznych i różnych modeli, niektóre ilustracje w tej instrukcji mogą się różnić od modelu.
(HDPW3618DN*, HDPW3618CN*)



- 1-Lampka LED do chłodziarki
- 2-Szklana półka
- 3-Szklana półka
- 4-Szklana półka
- 5-Pokrywa szuflady My Zone
- 6-Szuflada My Zone
- 7-Górna szuflada zamrażarki
- 8-Taca zamrażarki
- 9-Dolna szuflada zamrażarki
- 10-Regulowane nóżki
- 11-Półka na drzwi chłodziarki

Panel sterowania



Wskaźniki:

- A Komora chłodziarki
- B Komora chłodnicza (My Zone)
- C Komora zamrażarki
- D Wyświetlacz temperatury
- E Funkcja Super Cool
- F Funkcja Super Freeze
- G Funkcja Holiday
- H Funkcja Eco Mode
- I Funkcja Wi-Fi

Przyciski:

- K1 Zmniejszanie temperatury
- K2 Wybór Chłodziarka, My Zone oraz Freezer
- K3 Funkcja Super Cool włączona/wyłączona
- K4 Funkcja Super Freeze włączona/wyłączona
- K5 Funkcja Holiday włączona/wyłączona
- K6 Funkcja Eco Mode włączona/wyłączona
- K7 Funkcja Wi-Fi włączona/wyłączona
- K8 Zwiększanie temperatury

Przed pierwszym użyciem

Usuń wszelkie opakowania, trzymaj je w miejscu niedostępnym dla dzieci i zutylizuj w sposób przyjazny dla środowiska.

Wyczyść urządzenie wewnątrz i na zewnątrz, a także wnętrze i akcesoria wodą z łagodnym detergentem, a następnie dobrze wysusz miękką ściereczką.

Po wypoziomowaniu i wyczyszczeniu urządzenia odczekaj co najmniej 2 godziny przed podłączeniem go do zasilania. Zob. rozdział INSTALACJA.

Przed włożeniem żywności należy wstępnie schłodzić komory z wysokimi ustawieniami. Funkcja Super Freeze pomaga szybko schłodzić komory zamrażarki



Klawisze czujnika

Przyciski na panelu sterowania są klawiszami czujników, które reagują przy delikatnym dotknięciu palcem.

Włącz/Wyłącz urządzenie

Urządzenie zacznie pracować jak tylko zostanie podłączone do źródła energii.

Gdy urządzenie jest włączane po raz pierwszy, wskaźniki temperatury „D” pokazują wartości ustawień wstępnych (patrz Uwaga poniżej).



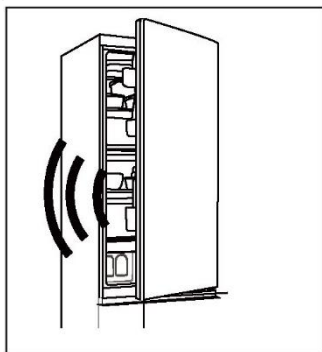
UWAGA

Urządzenie jest wstępnie ustawione na zalecaną temperaturę 5°C (chłodziarka) i -18°C (zamrażarka). Temperatura My Zone jest wstępnie ustawiona na około 2°C. To są zalecane ustawienia. W razie potrzeby można ręcznie zmienić ustawioną temperaturę.

Alarm otwarcia drzwi

Gdy drzwi chłodziarki są otwarte przez ponad 3 minuty, włączy się alarm otwartych drzwi.

Alarm drzwi można także wyłączyć poprzez zamknięcie drzwi. Jeśli drzwi pozostaną otwarte dłużej niż 7 minut, oświetlenie wnętrza chłodziarki i panelu sterowania wyłączy się automatycznie.



Wyreguluj temperaturę

Na temperaturę wewnątrz chłodziarki wpływają następujące czynniki:

- ▶ Temperatura otoczenia
- ▶ Częstotliwość otwierania drzwi
- ▶ Ilość przechowywanej żywności
- ▶ Instalacja urządzenia



Wyreguluj temperaturę chłodziarki

1. Naciśnij przycisk „K2” (wybór Chłodziarka/(My Zone)/Zamrażarka), aby wybrać komorę chłodziarki. Ikona „A” (chłodziarka) i „D” (wyświetlacz temperatury) są podświetlone.
2. Naciśnij przycisk „K1/K8”, aby ustawić temperaturę chłodziarki.

Temperatura wzrasta sekwencyjnie o 1°C, od minimum 2°C do maksimum 8°C. Optymalna temperatura w chłodziarce to 5°C. Niższe temperatury oznaczają niepotrzebne zużycie energii.

3. Po około 5 sekundach ikona temperatury „D” (wyświetlacz temperatury) zaświeci się na stałe, a ustawienie zostanie potwierdzone.

Ustaw temperaturę zamrażarki

1. Naciśnij przycisk „K2” (wybór Chłodziarka/(My Zone)/Zamrażarka), aby wybrać komorę zamrażarki. Ikona „C” (komora zamrażarki) i „D” (wyświetlacz temperatury) są podświetlone.
2. Naciśnij przycisk „K1/K8”, aby ustawić temperaturę zamrażarki.

Temperatura wzrasta sekwencyjnie o 1°C, od minimum -24°C do maksimum -16°C. Optymalna temperatura w chłodziarce to 18°C. Niższe temperatury oznaczają niepotrzebne zużycie energii.

3. Po około 5 sekundach wskaźnik temperatury „D” (wyświetlacz temperatury) zaświeci się na stałe, a ustawienie zostanie potwierdzone.

Ustaw temperaturę My Zone

Chłodziarka wyposażona jest w szufladę My Zone. Zgodnie z wymaganiami dotyczącymi przechowywania żywności można wybrać najbardziej odpowiednią temperaturę, aby uzyskać optymalną wartość odżywczą żywności.

1. Naciśnij przycisk „K2” (wybór Chłodziarka/(My Zone)/Zamrażarka), aby wybrać komorę My Zone. Ikona „B” (komora My Zone) i „D” (wyświetlacz temperatury) są podświetlone.
2. Naciśnij przycisk „K1/K8”, aby ustawić temperaturę komory My Zone.

Temperatura wzrasta sekwencyjnie o 1°C, od minimum 0°C do maksimum 5°C.

3. Po około 5 sekundach ikona temperatury „D” (wyświetlacz temperatury) zaświeci się na stałe, a ustawienie zostanie potwierdzone.



i UWAGA

1. Możesz ustawić temperaturę w komorze My Zone na średnim poziomie (2°C), aby przechowywać żywność w optymalnych warunkach.
2. Ze względu na różną zawartość wody w mięsie, niektóre mięso o większej wilgotności zostanie zamrożone w temperaturze niższej niż 0°C. Tak więc mięso „natychmiast krojone” należy przechowywać w szufladzie My Zone, w temperaturze min. 0°C.
3. Owoce wrażliwe na zimno, takie jak ananas, awokado, banany, grejpfruty i warzywa, takie jak ziemniaki, bakłażany, fasola, ogórki, cukinia i pomidory oraz ser nie powinny być przechowywane w szufladzie My Zone.
4. Jeśli temperatura chłodziarki jest niższa niż temperatura My Zone, to normalne, że temperatura w My Zone jest niższa niż temperatura ustawienia dla My Zone.

i UWAGA

Po ustawieniu temperatury, jeśli w ciągu 5 sekund zostaną naciśnięte inne przyciski, aktualne ustawienie temperatury zostanie natychmiast potwierdzone. Jeśli w ciągu 5 sekund nie zostanie wykonana żadna operacja z użyciem przycisków, aktualna ustawiona temperatura będzie wyświetlana do momentu zgaśnięcia ekranu.

i UWAGA

Z poziomu aplikacji możliwe jest dostosowanie temperatury dla chłodziarki, zamrażarki i komory My Zone. Temperatura może być ustawiona z dokładnością do 1°C.

Funkcja Super Cool

1. Zaleca się włączenie funkcji Super Cool w przypadku przechowywania dużej ilości żywności (np. po zakupie). Funkcja Super Cool przyspiesza chłodzenie świeżej żywności i chroni już przechowywane produkty przed niepożądanym ogrzaniem.
2. Naciśnij przycisk „K3” lub włącz go z poziomu aplikacji, ikona „E” (funkcja Super Cool) zaświeci się i funkcja zostanie aktywowana.



i UWAGA

1. Urządzenie wyłącza się z funkcji „Super Cool” po wejściu w funkcję „Super Cool” na 6 godzin lub po naciśnięciu przycisku „K3”, gdy ikona „E” (funkcja Super Cool) jest podświetlona lub po wyłączeniu w aplikacji.
2. W stanie Super Cool, jeśli temperatura komory chłodziarki jest regulowana, ikona „E” (funkcja Super Cool) miga, aby wskazać, że ta operacja nie może być wykonana.

Funkcja Super Freeze

1. Świeża żywność powinna być zamrożona tak szybko, jak to możliwe. To umożliwia zachowanie najlepszej wartości odżywczej, wyglądu i smaku. Funkcja Super Freeze przyspiesza zamrażanie świeżej żywności i chroni już przechowywane produkty przed niepożądanym ogrzaniem. Jeśli konieczne jest jednorazowe zamrożenie dużej ilości żywności, zaleca się włączenie funkcji Super Freeze na 24 godziny przed użyciem zamrożonego pomieszczenia.
2. Naciśnij przycisk „K4” (ustawienie funkcji Super Freeze) lub włącz ją z poziomu aplikacji, ikona „F” (funkcja Super Freeze) zaświeci się i funkcja zostanie aktywowana.

i UWAGA

1. Urządzenie wyłącza się z funkcji „Super Freeze” po wejściu w funkcję „Super Freeze” na 50 godzin lub po naciśnięciu przycisku „K4”, gdy ikona „F” (funkcja Super Freeze) jest podświetlona lub wyłącza ją w aplikacji.
2. W stanie Super Freeze, jeśli temperatura komory zamrażarki jest regulowana, miga ikona „F” (funkcja Super Freeze), aby wskazać, że nie można wykonać tej operacji.

Funkcja Holiday

Funkcji Holiday można używać w celu zmniejszenia zużycia energii przez urządzenie, gdy nie jest ono regularnie używane. Po włączeniu tej funkcji chłodziarka zostanie wyłączona, natomiast zamrażarka będzie działać normalnie. Funkcja ustawia na stałe temperaturę chłodziarki na 17°C.

Pozwala to na zamknięcie drzwi pustej chłodziarki, nie powodując przy tym nieprzyjemnego zapachu czy pleśni - podczas dłuższej nieobecności (np. w czasie wakacji). Komora zamrażarki może być dowolnie ustawiana.

1. Naciśnij przycisk „K5” (funkcja Holiday włączona/wyłączona) lub wybierz funkcję z aplikacji, ikona „G” (funkcja Holiday) zaświeci się i funkcja zostanie aktywowana.



2. Funkcję można dezaktywować, ponownie naciskając przycisk „K5” (włączenie/wyłączenie funkcji Holiday) lub ustawiając temperaturę chłodziarki lub wykonując dowolne inne ustawienie lub wyłączając ją z poziomu aplikacji.

UWAGA

1. Podczas korzystania z funkcji Holiday w komorze chłodziarki nie należy przechowywać żadnej żywności. Temperatura + 17°C jest zbyt wysoka, aby przechowywać żywność.
2. Gdy funkcja Holiday jest włączona, ikona My Zone pozostaje wyłączona, a funkcja chłodziarki jest zablokowana. Jeśli temperatura w komorze chłodziarki jest ustawiona, ikona „G” (funkcja Holiday) miga, wskazując, że tej operacji nie można wykonać.

Funkcja Eco Mode

Tryb Eco Mode może być aktywowany w celu optymalizacji wydajności urządzenia, przy jednoczesnym uzyskaniu najlepszego sposobu przechowywania żywności. Jeśli nie masz żadnych specjalnych wymagań, zalecamy użycie trybu Eco Mode.

W tym trybie temperatura chłodziarki wynosi 5°C, temperatura zamrażarki wynosi -18°C.

1. Naciśnij przycisk „K6” (funkcja Eco Mode włączona/wyłączona) lub wybierz funkcję z aplikacji.
2. Ikona „H” (funkcja Eco Mode) jest podświetlona, a funkcja jest włączona. Powtarzając powyższe kroki lub wybierając inną funkcję lub wyłączając z aplikacji, możesz ponownie wyłączyć tę funkcję. Zostaną przywrócone poprzednio ustawione poziomy chłodzenia.

UWAGA

Podczas działania funkcji Eco Mode, jeśli temperatura komory chłodziarki/zamrażarki jest regulowana, ikona „H” (funkcja Eco Mode) miga, wskazując, że tej operacji nie można wykonać.

Krok 1 Pobierz aplikację hOn ze sklepów.



Krok 2 Załóż konto w aplikacji hOn lub zaloguj się, jeśli masz już konto.



Krok 3 Postępuj zgodnie z instrukcjami parowania w aplikacji hOn.



Funkcja Wi-Fi

1. Należy postępować zgodnie z instrukcjami aplikacji, aby skonfigurować sieć Wi-Fi.
2. Po skonfigurowaniu sieci Wi-Fi i nawiązaniu połączenia ikona Wi-Fi „I” jest podświetlona i stała.
3. Jeśli sieć Wi-Fi została już skonfigurowana, po włączeniu sieci Wi-Fi automatycznie połączy się ponownie zgodnie z informacjami konfiguracyjnymi.

UWAGA

1. Aby wyłączyć Wi-Fi, naciśnij przycisk Wi-Fi „K7”, a ikona Wi-Fi „I” zgaśnie.
2. Aby włączyć Wi-Fi i rozpocząć konfigurację, naciśnij przycisk Wi-Fi „K7”, a ikona Wi-Fi „I” zacznie powoli migać. Jeśli chcesz skonfigurować funkcję Wi-Fi, naciśnij przycisk „K7” przez 3 sekundy, ikona Wi-Fi zacznie szybko migać i wejdzie w tryb konfiguracji. Jeśli chcesz wyłączyć funkcję Wi-Fi, naciśnij raz przycisk „K7”. Powyższe kroki są powtarzane.
3. Jeśli produkt został skonfigurowany, a funkcja Wi-Fi została wyłączona, chłodziarka nie wejdzie w tryb konfiguracji po ponownym podłączeniu do zasilania

UWAGA

1. Ten produkt nie jest przeznaczony do użytku komercyjnego.
2. Maksymalna moc wyjściowa RF: 2,4 GHz Wi-Fi: 16 dBm;
3. Bluetooth® Low Energy: 5 dBm; Bluetooth®(BR/EDR): 10 dBm.
4. Pasmo częstotliwości działania: 2400-2483,5 MHz.



Znak i logo Bluetooth® są zastrzeżonymi znakami towarowymi należącymi do Bluetooth SIG, Inc., a ich używanie przez Candy Hoover Group SRL odbywa się na podstawie licencji. Pozostałe znaki towarowe i nazwy handlowe należą do ich odpowiednich właścicieli.

Przechowywanie w komorze chłodziarki

- Należy utrzymywać temperaturę w chłodziarce poniżej 5°C.
- Gorące jedzenie musi zostać schłodzone do temperatury pokojowej przed włożeniem go do urządzenia.
- Żywność przechowywana w chłodziarce powinna zostać wcześniej umyta i wysuszona.
- Przechowywana żywność powinna być odpowiednio zamknięta, co pozwoli uniknąć zmiany zapachu lub smaku.
- Nie przechowuj nadmiernych ilości żywności. Należy zachować odstępy pomiędzy produktami spożywczymi, aby umożliwić cyrkulację zimnego powietrza dla zapewnienia lepszego i bardziej jednorodnego chłodzenia.
- Żywność spożywaną codziennie należy przechowywać z przodu półki.
- Pozostaw szczelinę pomiędzy żywnością a wewnętrznymi ściankami, umożliwiającą przepływ powietrza. W żadnym wypadku nie należy przechowywać żywności przy tylnej ścianie: żywność może zamarznąć przy tylnej ścianie. Unikaj bezpośredniego kontaktu żywności (zwłaszcza tłustej lub kwaśnej) z wkładką wewnętrzną, ponieważ olej/kwas może spowodować erozję wkładki wewnętrznej. Usuwać tłuste/kwaśne zabrudzenia, gdy tylko się pojawią.
- Zamrożoną żywność można delikatnie rozmrozić w komorze chłodziarki. To oszczędza energię.
- W chłodziarce występuje szybszy proces starzenia się owoców i warzyw takich jak cukinia, melon, papaja, banan, ananas itp. Dlatego nie zaleca się przechowywania ich w chłodziarce. Jednak przez pewien czas możliwe jest przyspieszenie dojrzewania zielonych owoców. Cebula, czosnek, imbir i inne warzywa korzeniowe również powinny być przechowywane w temperaturze pokojowej.
- Nieprzyjemne zapachy wewnątrz chłodziarki to znak, że coś rozlało i konieczne jest czyszczenie. Zobacz Pielęgnacja i czyszczenie.
- Różne rodzaje żywności powinny być umieszczane w różnych miejscach w zależności od ich właściwości.

Przechowywanie w komorze zamrażarki

- Utrzymuj temperaturę zamrażarki na poziomie -18°C.
- 24 godziny przed zamrożeniem włącz funkcję Super-Freeze. W przypadku małych ilości jedzenia wystarczy 4-6 godzin.
- Gorące jedzenie musi zostać schłodzone do temperatury pokojowej przed włożeniem go do komory zamrażarki.
- Żywność pokrojona na małe porcje zamraża się szybciej i jest łatwiejsza do rozmrożenia i ugotowania. Zalecana waga każdej porcji wynosi mniej niż 2,5 kg
- Zaleca się zapakowanie żywności przed jej włożeniem do zamrażarki. Zewnętrzna strona opakowania musi być sucha, aby uniknąć sklejaniasię worków. Materiały opakowaniowe powinny być bezwonne, hermetyczne, nietrujące i nietoksyczne.



- Aby uniknąć upływu terminu przydatności do spożycia, należy podać na opakowaniu datę zamrożenia, termin i nazwę produktu, zgodnie z okresami przechowywania różnych produktów spożywczych.



OSTRZEŻENIE!

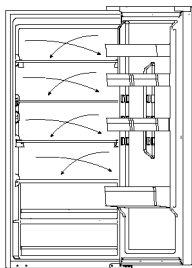
- ▶ Kwas, zasady, sól itp. mogą spowodować erozję wewnętrznej powierzchni zamrażarki.
- ▶ Nie należy umieszczać żywności zawierającej te substancje (np. ryb morskich) bezpośrednio na wewnętrznej powierzchni. Stłona woda w zamrażarce powinna być natychmiast oczyszczona.
- ▶ Nie należy przekraczać czasu przechowywania żywności zalecanego przez producentów. Należy wyjąć z zamrażarki tylko wymaganą ilość jedzenia.
- ▶ Należy szybko spożyć rozmrożoną żywność. Rozmrożone jedzenie nie może być ponownie zamrożone, chyba że zostanie najpierw ugotowane, w przeciwnym razie może być mniej jadalne.
- ▶ Nie wkładaj nadmiernej ilości świeżej żywności do komory zamrażarki. Patrz pojemność zamrażarki - patrz DANE TECHNICZNE lub dane na tabliczce znamionowej.
- ▶ Żywność może być przechowywana w zamrażarce w temperaturze wynoszącej co najmniej -18°C przez okres od 2 do 12 miesięcy, w zależności od jej rodzaju produktów (np. mięso: 3-12 miesięcy, warzywa: 6-12 miesięcy)
- ▶ Podczas zamrażania świeżej żywności należy unikać kontaktu z już zamrożoną żywnością. Ryzyko rozmrożenia!

Przechowując komercyjnie zamrożoną żywność, należy przestrzegać następujących wytycznych:

- Zawsze postępuj zgodnie z wytycznymi producenta dotyczącymi czasu przechowywania żywności. Nie przekraczaj czasu wskazanego w tych wytycznych!
- Staraj się, aby czas od zakupu do umieszczenia w zamrażarce był jak najkrótszy, aby zachować jakość żywności.
- Kupuj mrozonki, które były przechowywane w temperaturze -18°C lub niższej.
- Unikaj kupowania żywności, której opakowanie jest pokryte lodem lub szronem. Oznacza to, że produkty mogły w pewnym momencie zostać częściowo rozmrożone i ponownie zamrożone. Wzrost temperatury wpływa na jakość żywności.

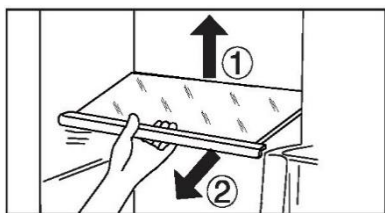
i UWAGA

Ze względu na różne modele, Twój produkt może nie mieć wszystkich poniższych funkcji. Patrz rozdział Opis produktu.



System obiegu powietrza

Chłodziarka jest wyposażona w system obiegu powietrza, dzięki któremu chłodne strumienie powietrza znajdują się na każdym poziomie półki. Pomaga to utrzymać jednolitą temperaturę, dzięki czemu żywność jest dłużej świeża.



Regulowana półka

1. Wysokość półek można dostosować do potrzeb przechowywania.
2. Aby przenieść półkę, zdejmij ją najpierw, podnosząc tylną krawędź ① i wyciągając ②.
3. Aby ponownie zamontować półkę, należy nałożyć ją na uchwyty po obu stronach i przesunąć do pozycji najbardziej wysuniętej do tyłu, aż tylna część półki znajdzie się w szczelinach po bokach

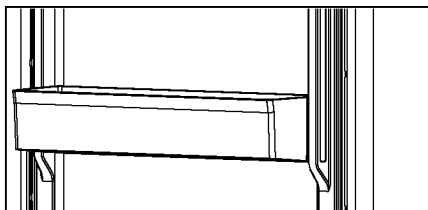
i UWAGA

Upewnij się, że wszystkie końce półki są wypoziomowane.

Zdejmowana półka na drzwiach

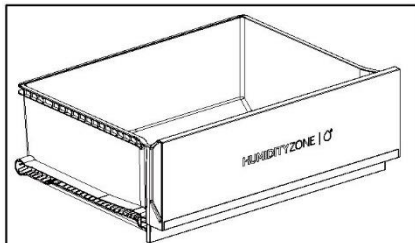
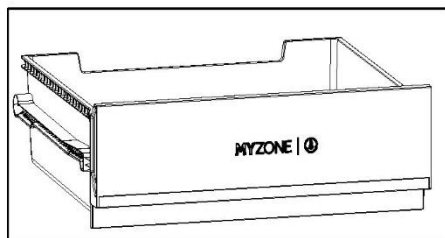
Półkę znajdującą się na drzwiach można zdjąć do czyszczenia:

Położ dłoń po obu stronach półki, podnieś ją do góry (1) i wyciągnij (2). W celu ponownego zamontowania półek znajdujących się na drzwiach powyższe czynności wykonuje się w odwrotnej kolejności



Szuflada My Zone

Informacje na temat korzystania i ustawiania komory My Zone znajdują się w części UŻYTKOWANIE (My Zone).



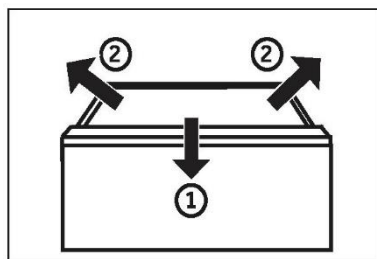
Szuflada Humidity Zone

W tej komorze poziom wilgotności jest kontrolowany automatycznie przez system i nadaje się do przechowywania owoców, warzyw, sałatek itp.

Wyjmowana szuflada

Aby wyjąć szufladę z komory chłodziarki lub zamrażarki, wyciągnij ją maksymalnie (1), podnieś i wyjmij (2).

W celu ponownego włożenia szuflady powyższe czynności wykonuje się w odwrotnej kolejności.



Szuflada zamrażarki

Szufladę zamrażarki można prosto i kompletnie wysunąć. Montowane są na teleskopowej szynie typu easy roll. Abyś mógł wygodnie przechowywać i wyjmować produkty do zamrażania. Dzięki automatycznemu mechanizmowi zamykania drzwi obsługa jest łatwa i umożliwia oszczędność energii.



OSTRZEŻENIE!

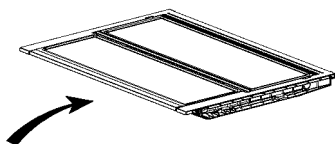
Nie przeciążaj szuflad: Maksymalne obciążenie każdej szuflady: 35 kg!

Światło

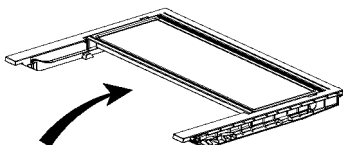
Po otwarciu drzwi zapala się wewnętrzne oświetlenie LED. Na działanie świateł nie mają wpływu żadne inne ustawienia urządzeń.

Składana półka

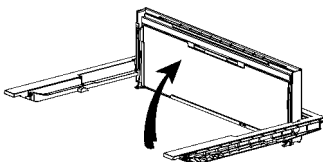
Składana półka pozwoli użytkownikowi umieścić na półkach wysokie butelki lub przedmioty. Półkę można złożyć z tyłu, dzięki czemu dostępna przestrzeń dolnej półki będzie większa. Półkę można złożyć, wykonując kroki 1-3. Jeśli chcesz wrócić do pierwotnej lokalizacji, wykonaj poniższe czynności w odwrotnej kolejności.



Krok 1: Przesuń powoli przód półki do końca.



Krok 2: Przesuń powoli półkę w górę do pozycji pionowej.



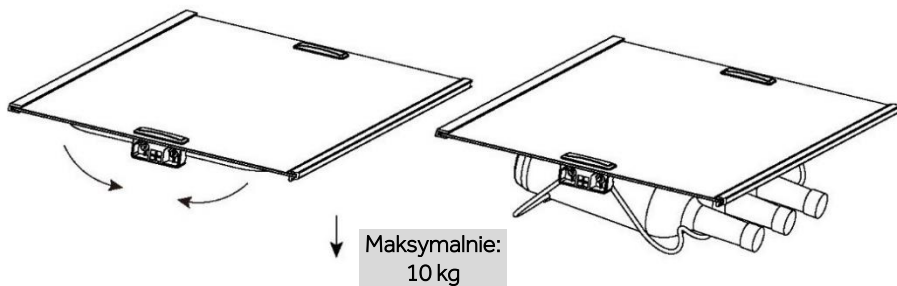
Krok 3: Półka jest pionowa. Pozwoli to zaoszczędzić miejsce.

Składany stojak na wino

Do normalnego użytku

1. Opuść wsporniki stojaka na wino
2. Umieść butelki w stojaku

Gdy nie jest używany, stojak na wino można złożyć, aby zaoszczędzić miejsce.





Wskazówki dotyczące oszczędzania energii

- ▶ Upewnij się, że urządzenie jest właściwie wentylowane (patrz MONTAŻ).
- ▶ Nie instaluj urządzenia w miejscu, w którym będzie narażone na bezpośrednie działanie słońca lub w pobliżu źródeł ciepła (np. pieców, grzejników).
- ▶ Unikaj niepotrzebnie niskiej temperatury w urządzeniu. Zużycie energii wzrasta wraz ze spadkiem ustawionej temperatury w urządzeniu.
- ▶ Funkcje takie jak SUPER FREEZE zwiększają zużycie energii.
- ▶ Przed włożeniem ciepłej żywności do urządzenia należy poczekać, aż ostygnie.
- ▶ Otwieraj drzwi możliwie rzadko i możliwie na krótko.
- ▶ Nie przepelniaj urządzenia, aby nie blokować przepływu powietrza.
- ▶ Unikaj powietrza w opakowaniu z żywnością.
- ▶ Utrzymuj w czystości uszczelki drzwi, aby zapewnić prawidłowe ich zamykanie.
- ▶ Rozmrażaj zamrożoną żywność w komorze chłodziarki lub użyj funkcji D-Frost w szufladzie My Zone.
- ▶ Najbardziej energooszczędna konfiguracja wymaga, aby szuflada, pojemnik na żywność i półki były umieszczone w urządzeniu jak w stanie fabrycznym, a żywność nie blokowała wylotu powietrza z kanału.



OSTRZEŻENIE!

Czyszczenie

Urządzenie należy czyścić, gdy przechowywana jest niewielka ilość żywności lub nie ma jej wcale.

Urządzenie powinno być czyszczone co cztery tygodnie, aby zapewnić dobrą konserwację i zapobiec nieprzyjemnym zapachom przechowywanej żywności.



OSTRZEŻENIE!

- ▶ Nie czyść urządzenia za pomocą twardych szczotek, szczotek drucianych, detergentów proszkowych, benzyny, octanu amylnego, acetonu i podobnych roztworów organicznych, kwasu lub roztworów alkalicznych. Do czyszczenia należy używać specjalnego detergentu do chłodziarek, aby uniknąć uszkodzenia.
- ▶ Nie używaj aerozolu ani nie przepłukuj urządzenia podczas czyszczenia.
- ▶ Nie używaj wody lub pary do czyszczenia urządzenia.
- ▶ Nie czyść zimnych szklanych półek gorącą wodą. Nagła zmiana temperatury może spowodować pęknięcie szkła.
- ▶ Nie dotykaj wnętrza komory, zwłaszcza mokrymi rękami, ponieważ mogą one przymarznąć do jej powierzchni.
- ▶ W przypadku zwiększenia temperatury sprawdzić stan zamrożonych produktów.



- ▶ Uszczelka drzwi powinna być zawsze utrzymywana w czystości.
- ▶ Czyść wnętrze i obudowę urządzenia gąbką zanurzoną w ciepłej wodzie i neutralnym detergentem.
- ▶ 1. Czyść wnętrze i zewnętrzną część chłodziarki, w tym uszczelnienie drzwi, stojak na drzwi, szklane półki, pudełka itd., miękkim ręcznikiem lub gąbką zanurzoną w ciepłej wodzie (można dodać neutralny detergent do ciepłej wody).
- ▶ 2. W przypadku rozlania płynu usuń wszystkie zanieczyszczone elementy, bezpośrednio spłucz bieżącą wodą, osusz i włóż z powrotem do chłodziarki.
- ▶ 3. W przypadku rozlanego kremu (np. śmietany, topniejących lodów), należy wyjąć wszystkie zanieczyszczone części, włożyć je na chwilę do ciepłej wody o temperaturze ok. 40°C, następnie spłukać bieżącą wodą, osuszyć i włożyć z powrotem do chłodziarki.
- ▶ 4. W przypadku, gdy jakaś mała część lub element dostanie się do wnętrza chłodziarki (pomiędzy półki lub szuflady), użyć małego miękkiego pędzelka, aby go wyciągnąć. Jeśli nie udało się dotrzeć do tego elementu, prosimy o kontakt z serwisem Haier



- ▶ Spłucz i wysusz miękką ściereczką.
- ▶ Nie należy myć żadnych części urządzenia w zmywarce do naczyń.
- ▶ Odczekaj co najmniej 5 minut przed ponownym uruchomieniem urządzenia, ponieważ częste uruchamianie może uszkodzić sprężarkę.

Rozmrażanie

Rozmrażanie chłodziarki i zamrażarki odbywa się automatycznie; nie jest wymagana ręczna obsługa.

Wymiana lampek LED



OSTRZEŻENIE!

Nie wolno samodzielnie wymieniać lampy LED, może to zrobić tylko producent lub autoryzowany serwis.

Jako źródło światła lampy wykorzystują diody LED, charakteryzujące się niskim zużyciem energii i długą żywotnością. W przypadku wystąpienia jakichkolwiek nieprawidłowości prosimy o kontakt z działem obsługi klienta. Zob. OBSŁUGA KLIENTA.

Parametry lamp:

Część	Lampa LED
Napięcie	12 V
Maksymalna moc:	1,5 W
Specyfikacja LED	Biały-2835
Klasa efektywności LED	G
Temperatura użytkowania	-40~80°C

Nieużytkowanie przez dłuższy okres

Jeżeli urządzenie nie będzie używane przez dłuższy czas i nie będzie wykorzystywana funkcja Holiday chłodziarki:

Wyjmij żywność.

Odłącz przewód zasilający.

Wyczyść urządzenie jak opisano powyżej.

Zostaw drzwi otwarte, aby zapobiec tworzeniu się wewnątrz nieprzyjemnych zapachów.



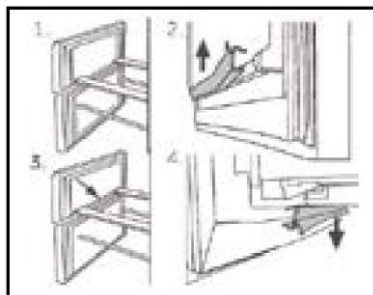
UWAGA

Wyłącz urządzenie tylko wtedy, gdy jest to absolutnie konieczne.

Zdejmowane dodatkowe uszczelki drzwi

Na górnej i dolnej szufladzie zamrażarki znajduje się sześć dodatkowych uszczelki drzwi.

1. Znajdź pięć wskazanych uszczelki drzwi na górnej i dolnej szufladzie zamrażarki.
 2. Upewnij się, że wygięte plastry uszczelki są skierowane do wewnątrz podczas mocowania.
 3. Zlokalizuj dolną uszczelkę górnej szuflady, jak pokazano.
 4. Upewnij się, że wygięty plaster tej uszczelki jest skierowany w dół podczas mocowania.
- Uszczelki te, jak również uszczelki do drzwi obrotowych/szuflad, zostaną przekazane za pośrednictwem działu obsługi klienta (patrz karta gwarancyjna).



Przenoszenie urządzenia

1. Wymij wszystkie produkty spożywcze i odłącz urządzenie od zasilania.
2. Zabezpiecz taśmą klejącą półki i inne ruchome części w zamrażarce.
3. Nie przechylaj chłodziarki pod kątem większym niż 45°, aby uniknąć uszkodzenia układu chłodniczego.



OSTRZEŻENIE!

- ▶ Nie podnoś urządzenia za klamki.
- ▶ Nigdy nie należy ustawiać urządzenia poziomo na ziemi.



Wiele problemów można rozwiązać samodzielnie, bez specjalistycznej wiedzy. W przypadku problemów prosimy sprawdzić wszystkie pokazane możliwości i postępować zgodnie z poniższymi instrukcjami przed skontaktowaniem się z obsługą posprzedażową. Zob. OBSŁUGA KLIENTA.



OSTRZEŻENIE!

- ▶ Przed przystąpieniem do konserwacji wyłącz urządzenie i wyjmij wtyczkę z gniazdka sieciowego.
- ▶ Urządzenie elektryczne powinno być serwisowane tylko przez wykwalifikowanych ekspertów, ponieważ niewłaściwe naprawy mogą spowodować znaczne szkody.
- ▶ Jeśli kabel zasilania jest uszkodzony, musi on zostać wymieniony przez producenta, serwisanta lub inną wykwalifikowaną osobę w celu uniknięcia niebezpieczeństwa.

Tabela rozwiązywania problemów

Problem	Potencjalna przyczyna	Możliwe rozwiązanie
Sprężarka nie działa.	Wtyczka sieciowa nie jest podłączona do gniazdka.	Podłącz główną wtyczkę.
	Urządzenie znajduje się w cyklu rozmrażania.	Jest to normalne w przypadku automatycznego odszraniania.
Urządzenie działa często lub przez zbyt długi okres czasu.	Temperatura wewnątrz i na zewnątrz urządzenia jest za wysoka.	W tym przypadku to normalne, że urządzenie będzie pracować dłużej.
	Urządzenie było odłączone od zasilania przez określony czas.	Całkowite schłodzenie urządzenia trwa zazwyczaj od 8 do 12 godzin.
	Drzwi/szuflada urządzenia nie są szczelnie zamknięte.	Zamknij drzwi i upewnij się, że urządzenie jest ustawione na płaskiej powierzchni i żywność lub pojemniki nie blokują drzwi.
	Drzwi/szuflady były za często otwierane lub pozostawały długo otwarte.	Nie otwieraj drzwi/szuflad zbyt często.
	Ustawienie temperatury w komorze zamrażarki jest zbyt niskie.	Ustaw wyższą temperaturę, aż do uzyskania zadowalającej temperatury w chłodziarce. Ustabilizowanie się temperatury w chłodziarce zajmuje 24 godziny.
	Uszczelki drzwi/szuflady są brudne, zużyte, pęknięte lub niedopasowane.	Wyczyść uszczelki drzwi/szuflady lub wymień je z pomocą serwisu obsługi klienta.
	Wymagany przepływ powietrza nie jest gwarantowany.	Zapewnij odpowiednią wentylację.



Problem	Potencjalna przyczyna	Możliwe rozwiązanie
Wnętrze chłodziarki jest brudne i/lub nieprzyjemnie pachnie.	Wnętrze chłodziarki wymaga czyszczenia.	Wyczyść wnętrze chłodziarki.
	W chłodziarce przechowywana jest żywność o intensywnym zapachu.	Dokładnie owiń żywność.
Wewnątrz urządzenia nie jest wystarczająco zimno.	Ustawiona temperatura jest za wysoka.	Ponownie ustaw temperaturę
	Przechowywano zbyt ciepłą żywność.	Zawsze schładzaj żywność przed jej przechowywaniem.
	W chłodziarce umieszczono zbyt dużą ilość żywności.	Zawsze przechowuj małe ilości żywności.
	Żywność jest zbyt blisko siebie.	Pozostawić przerwę między produktami spożywczymi, umożliwiając przepływ powietrza.
	Drzwi/szuflada urządzenia nie są szczelnie zamknięte.	Zamknij drzwi/szufladę.
	Drzwi/szuflad były za często otwierane lub pozostawały długo otwarte.	Nie otwieraj drzwi/szuflad zbyt często.
Wnętrze urządzenia jest za zimne.	Temperatura jest za niska.	Ponownie ustaw temperaturę.
	Funkcja Super Freeze jest włączona lub działa zbyt długo.	Wyłączyć funkcję Super Freeze.
Powstawanie wilgoci na wewnętrznych ściankach komory.	Klimat jest zbyt ciepły i wilgotny.	Zwiększ temperaturę.
	Drzwi/szuflada urządzenia nie są szczelnie zamknięte.	Zamknij drzwi/szufladę.
	Drzwi/szuflad były za często otwierane lub pozostawały długo otwarte.	Nie otwieraj drzwi/szuflad zbyt często.
	Pojemniki na żywność lub płyny są otwarte.	Pozostaw gorącą żywność do ostygnięcia do temperatury pokojowej i przykryj żywność oraz płyny.
Wilgoć gromadzi się na zewnętrznej powierzchni chłodziarki lub między drzwiami a szufladą.	Klimat jest zbyt ciepły i wilgotny.	Jest to normalne zjawisko w wilgotnym klimacie i zmienia się, gdy wilgotność spadnie.
	Drzwi/szuflada nie są szczelnie zamknięte.	Upewnij się, że drzwi/szuflada są szczelnie zamknięte.
Nadmierny lód i szron w komorze zamrażarki.	Artykuły spożywcze nie zostały odpowiednio zapakowane/	Zawsze dobrze pakuj żywność.
	Drzwi/szuflad były za często otwierane lub pozostawały długo otwarte.	Nie otwieraj drzwi/szuflad zbyt często.
	Uszczelki drzwi/szuflady są brudne, zużyte, pęknięte lub niedopasowane.	Wyczyść uszczelki drzwi lub wymień je na nowe.
	Coś wewnątrz uniemożliwia prawidłowe zamknięcie drzwi/szuflady.	Ponownie umieść półki, półki na drzwi lub pojemniki wewnętrzne, aby umożliwić zamknięcie drzwi/szuflady.



Problem	Potencjalna przyczyna	Możliwe rozwiązanie
Urządzenie wydaje dziwne dźwięki.	Urządzenie nie znajduje się na wypoziomowanym podłożu.	Wyreguluj nóżki, aby wypoziomować urządzenie.
	Urządzenie dotyka jakiegoś przedmiotu.	Usuń objekty znajdujące się w pobliżu urządzenia.
Słychać delikatny szum podobny do płynącej wody.	To normalne.	/
Usłyszysz sygnał alarmowy.	Drzwi komory chłodziarki są otwarte.	Zamknij drzwi lub wycisz alarm ręcznie.
Będziesz blisko słabego szumu.	Układ antykondensacyjny działa.	Zapobiega to kondensacji i jest normalne.
Oświetlenie wnętrza lub układ chłodzenia nie działa.	Wtyczka sieciowa nie jest podłączona do gniazdka	Podłącz główną wtyczkę.
	Zasilanie nie jest w dobrym stanie.	Sprawdź zasilanie elektryczne w pomieszczeniu. Skontaktuj się z lokalnym dostawcą energii elektrycznej!
	Lampa LED nie działa.	Wezwij serwis w celu wymiany lampki.
Boki obudowy i listwa drzwiowa nagrzewają się.	To normalne.	/
Woda nie wypływa z dozownika wody	Blokada nie jest dezaktywowana.	Dezaktywuj blokadę



Przerwa w zasilaniu

- ▶ W przypadku przerwy w dostawie prądu żywność powinna zachować bezpieczną temperaturę przez około 13 godzin. Podczas dłuższej przerwy w dostawie prądu, zwłaszcza latem, należy stosować się do poniższych wskazówek.
- ▶ Nie wkładaj do urządzenia dodatkowej żywności podczas przerwy w dostawie prądu.
- ▶ W przypadku wcześniejszego powiadomienia o przerwie w dostawie prądu, a czas trwania przerwy jest dłuższy niż 13 godzin, należy przygotować kilka kostek lodu i umieścić je w pojemniku na górnej półce komory chłodziarki.
- ▶ Kontrola towaru jest wymagana niezwłocznie po przerwie.
- ▶ Ponieważ temperatura w chłodziarce wzrośnie podczas przerwy w zasilaniu lub innej awarii, okres przechowywania i jadalna jakość żywności ulegną skróceniu. Każda żywność, która się rozmraża, powinna zostać spożyta lub ugotowana i ponownie zamrożona (w stosownych przypadkach) wkrótce po tym, aby zapobiec zagrożeniom dla zdrowia.



UWAGA

Funkcja pamięci podczas przerwy w zasilaniu

Po przywróceniu zasilania urządzenie kontynuuje ustawienia ustawione przed awarią zasilania.

Aby skontaktować się z pomocą techniczną, odwiedź naszą stronę internetową: <https://corporate.haier-eu-ropo.com/en/>

W sekcji „Strona internetowa” wybierz markę swojego produktu i kraj. Zostaniesz przekierowany/a na konkretną stronę internetową, na której znajdziesz numer telefonu i inne sposoby kontaktu z pomocą techniczną.

Rozpakowanie



OSTRZEŻENIE!

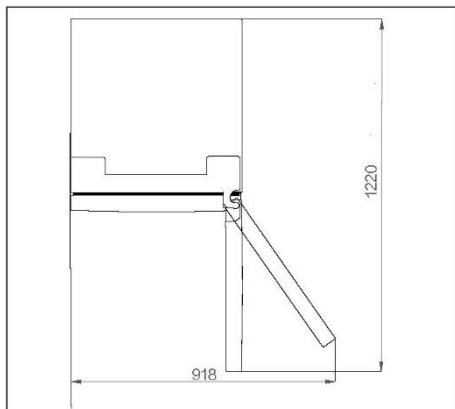
- ▶ Urządzenie jest ciężkie. Prace powinny być wykonywane przez co najmniej dwie osoby.
- ▶ Wszystkie materiały opakowaniowe należy przechowywać poza zasięgiem dzieci i utylizować w sposób przyjazny dla środowiska.
- ▶ Wymij urządzenie z opakowania.
- ▶ Usuń całe opakowanie.

Warunki środowiskowe

Temperatura w pomieszczeniu powinna zawsze wynosić od 10°C do 43°C, ponieważ może wpływać na temperaturę wewnątrz urządzenia i zużycie energii. Nie ustawiaj urządzenia w pobliżu innych urządzeń bez izolacji emitujących ciepło (piekarniki, chłodziarki).

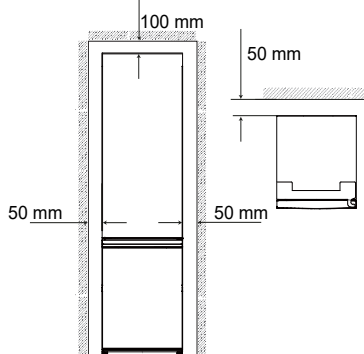
Zalecenia dotyczące przestrzeni

Zalecana przestrzeń przy otwartych drzwiach.



Przekrój poprzeczny wentylacji

W celu zapewnienia wystarczającej wentylacji urządzenia ze względów bezpieczeństwa, zalecamy przestrzeganie zasad dotyczących zalecanej przestrzeni.

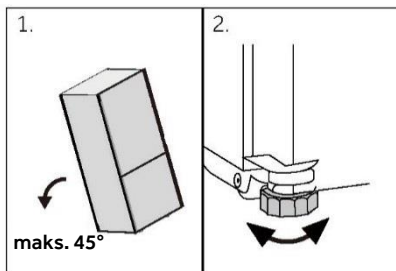


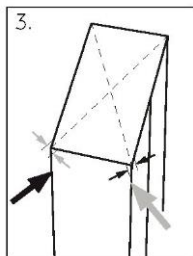
Ustawianie urządzenia

Urządzenie powinno być umieszczone na płaskiej i stabilnej powierzchni.

1. Odchyl chłodziarkę lekko do tyłu.
2. Ustaw nóżki na żądanym poziomie.

Upewnij się, że odległość od ściany po stronie zawiasu wynosi co najmniej 100 mm, aby drzwi mogły się prawidłowo otworzyć.

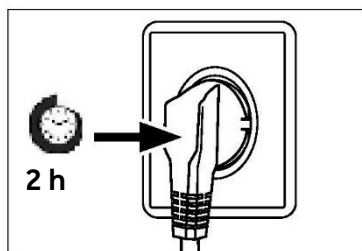




1. Stabilność można sprawdzić, popychając urządzenie naprzemiennie w linii przekątnych. Lekkie kołysanie powinno być takie same w obu kierunkach. W przeciwnym razie rama może się wykrzywić; w rezultacie może dojść do rozszczelnienia drzwi. Niewielki przechył do tyłu pomaga przy zamykaniu drzwi.

i UWAGA

Dotyczy urządzenia wolnostojącego: To urządzenie chłodnicze nie jest przeznaczone do zabudowy



Czas oczekiwania

W zbiorniku sprężarki znajduje się olej bezobsługowy. Olej ten może przedostać się poprzez zamknięty system rur podczas transportu w pozycji przechylonej. Przed podłączeniem urządzenia do zasilania trzeba odczekać co najmniej 2 godziny, aby olej spłynął z powrotem do zbiornika.

Podłączenie do prądu

Przed każdym podłączeniem sprawdź, czy:

- ▶ zasilacz, gniazdo i bezpieczniki odpowiadają parametrom podanym na tabliczce znamionowej.
- ▶ gniazdko jest uziemione i nie zastosowano rozgałęźnika lub przedłużacza.
- ▶ wtyczka i gniazdko są ściśle zgodne.

Podłącz wtyczkę do prawidłowo zainstalowanego gniazdka domowego.



OSTRZEŻENIE!

Aby uniknąć ryzyka, uszkodzony przewód zasilający musi być wymieniony przez serwis (zob. karta gwarancyjna).



Zmiana kierunku otwierania drzwi

Przed podłączeniem urządzenia do zasilania należy sprawdzić, czy nie trzeba zmienić kierunku otwierania drzwi z prawego (ustawienie przy odbiorze) na lewy, jeśli jest to konieczne ze względu na miejsce instalacji i użytkowania.

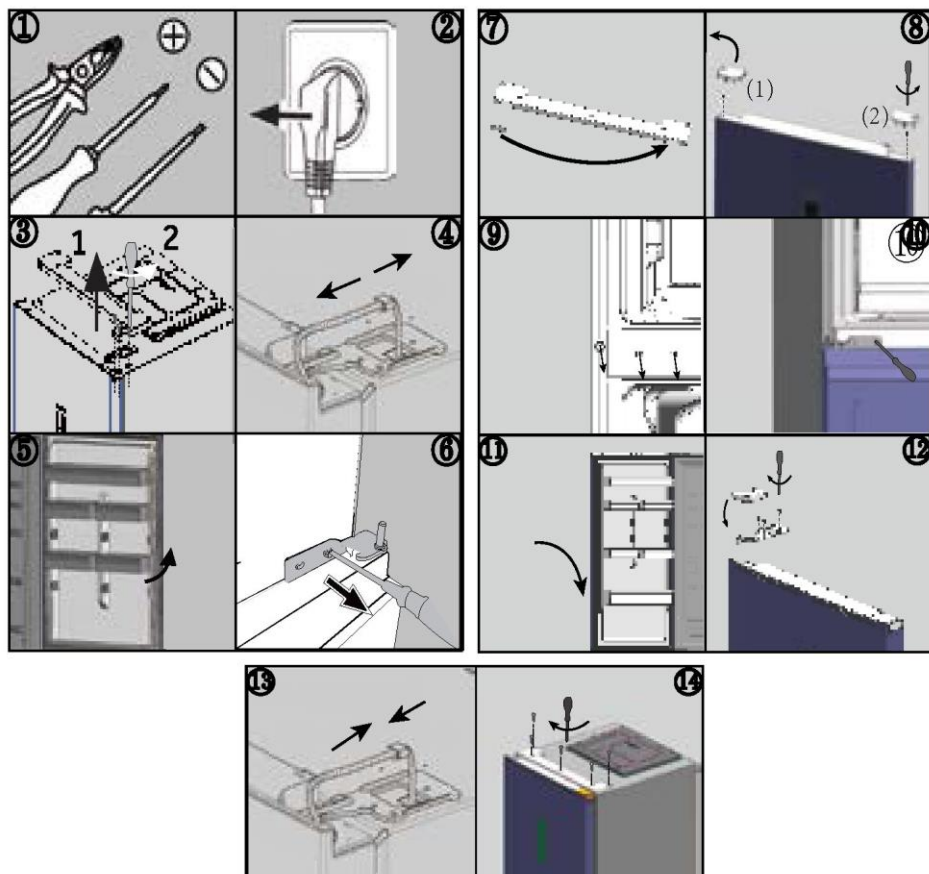


OSTRZEŻENIE!

- ▶ Urządzenie jest ciężkie. Potrzebne są dwie osoby do zmiany kierunku otwierania drzwi.
- ▶ Przed rozpoczęciem jakichkolwiek czynności należy najpierw odłączyć urządzenie od sieci
- ▶ Nie przechylaj chłodziarki bardziej niż 45°, aby uniknąć uszkodzenia układu chłodniczego.

Etapy montażu

1. Używaj odpowiednich narzędzi.
 2. Odłącz urządzenie od prądu.
 3. Zdejmij osłonę górnego zawiasu 1 i odkręć górny zawias (trzy śruby) po prawej stronie 2.
 4. Odłącz kabel przyłączeniowy
 5. Ostrożnie zdejmij luźne drzwi chłodziarki ze środkowego zawiasu.
 6. Usuń środkowy zawias.
 7. Zdejmij małą osłonę panelu przedniego od lewej do prawej strony.
 8. Odwróć drzwi do góry nogami i odkręć pokrywę (1). Wyjmij nową osłonę (2) z potrzebnej torby i przykręć ją po przeciwnej stronie.
 9. Zmień położenie zaślepek i śruby z boku.
 10. Przykręć środkowy zawias do lewej strony urządzenia. Zwróć uwagę na odwrócenie sworznia zawiasu środkowego, tak aby strona z uszczelką była skierowana do góry.
 11. Ostrożnie podnieś górne drzwi na środkowym zawiasie. Upewnij się, że sworznie pasuje do tulei zawiasu dolnych drzwi.
 12. Wyjmij nowy górny zawias i osłonę zawiasu z torby z akcesoriami. Przetłóć kabel przyłączeniowy przez górny zawias i zamocuj górny zawias trzema śrubami po lewej stronie urządzenia. I załóż osłonę zawiasu na zawias.
 13. Podłącz kabel przyłączeniowy.
 14. Załóż panel przedni i przymocuj go pięcioma śrubami.
- Po zmianie drzwi należy sprawdzić czy uszczelki drzwi dobrze leżą na obudowie i czy wszystkie śruby są dobrze dokręcone.



Temperatury otoczenia

Rozszerzony zakres temperatur: To urządzenie chłodnicze przeznaczone jest do użytkowania w temperaturze otoczenia od 10°C do 32°C

Strefa umiarkowana: To urządzenie chłodnicze przeznaczone jest do użytkowania w temperaturze otoczenia od 16°C do 32°C;

Strefa subtropikalna: To urządzenie chłodnicze przeznaczone jest do użytkowania w temperaturze otoczenia od 16°C do 38°C;

Strefa tropikalna: To urządzenie chłodnicze przeznaczone jest do użytkowania w temperaturze otoczenia od 16°C do 43°C.



Parametry produktu zgodnie z rozporządzeniem UE nr 2019/2016

Na podstawie standardowych wyników testów dla okresu 24 godzin. Rzeczywiste zużycie energii zależy od sposobu użytkowania urządzenia i jego lokalizacji

Model	HTW5618DN*	HTW5620DN*	HTW5618EN*
Typ urządzenia chłodniczego	Chłodziarko-zamrażarka	Chłodziarko-zamrażarka	Chłodziarko-zamrażarka
Klasa efektywności energetycznej	D	D	E
Roczne zużycie energii (kWh/rok)	217	226	271
Pojemność komory chłodziarki (l)	201	255	201
Pojemność komory zamrażarki (l)	125	125	125
Objętość komory chłodniczej (l)	34	34	34
Klasa zamrażania	4 gwiazdki	4 gwiazdki	4 gwiazdki
Rodzaj rozmrażania	Automatyczne rozmrażanie	Automatyczne rozmrażanie	Automatyczne rozmrażanie
Czas wzrostu temperatury (h)	13	13	11
Wydajność zamrażania (kg/24h)	10,0	10,0	10,0
Klasa klimatyczna	SN.N.ST.T	SN.N.ST.T	SN.N.ST.T
Klasa emisji hałasu i emisja hałasu akustycznego w powietrzu (dB(A) re 1 pW)	B(35)	B(35)	B(35)



Model	HTW561CN*	HTW5620CN*	HTW5620EN*
Typ urządzenia chłodniczego	Chłodziarko-zamrażarka	Chłodziarko-zamrażarka	Chłodziarko-zamrażarka
Klasa efektywności energetycznej	C	C	E
Roczne zużycie energii (kWh/rok)	173	181	283
Pojemność komory chłodziarki (l)	201	255	255
Pojemność komory zamrażarki (l)	125	125	125
Objętość komory chłodniczej (l)	34	34	34
Klasa zamrażania	4 gwiazdki	4 gwiazdki	4 gwiazdki
Rodzaj rozmrażania	Automatyczne rozmrażanie	Automatyczne rozmrażanie	Automatyczne rozmrażanie
Czas wzrostu temperatury (h)	13	13	11
Wydajność zamrażania (kg/24h)	10,0	10,0	10,0
Klasa klimatyczna	SN.N.ST.T	SN.N.ST.T	SN.N.ST.T
Klasa emisji hałasu i emisja hałasu akustycznego w powietrzu (dB(A) re 1 pW)	B(35)	B(35)	B(35)



Model	HDPW5618DN*	HDPW5620DN*	HDPW3620DN*
Typ urządzenia chłodniczego	Chłodziarko-zamrażarka	Chłodziarko-zamrażarka	Chłodziarko-zamrażarka
Klasa efektywności energetycznej	D	D	D
Roczne zużycie energii (kWh/rok)	214	220	220
Pojemność komory chłodziarki (l)	201	255	255
Pojemność komory zamrażarki (l)	117	117	117
Objętość komory chłodniczej (l)	34	34	34
Klasa zamrażania	4 gwiazdki	4 gwiazdki	4 gwiazdki
Rodzaj rozmrażania	Automatyczne rozmrażanie	Automatyczne rozmrażanie	Automatyczne rozmrażanie
Czas wzrostu temperatury (h)	13	13	13
Wydajność zamrażania (kg/24h)	10,0	10,0	10,0
Klasa klimatyczna	SN.N.ST.T	SN.N.ST.T	SN.N.ST.T
Klasa emisji hałasu i emisja hałasu akustycznego w powietrzu (dB(A) re 1 pW)	B(35)	B(35)	B(35)



Model	HDPW3618DN*	HDPW3620CN*	HTW3620DN*
Typ urządzenia chłodniczego	Chłodziarko-zamrażarka	Chłodziarko-zamrażarka	Chłodziarko-zamrażarka
Klasa efektywności energetycznej	D	C	D
Roczne zużycie energii (kWh/rok)	214	176	226
Pojemność komory chłodziarki (l)	201	255	255
Pojemność komory zamrażarki (l)	117	117	125
Objętość komory chłodniczej (l)	34	34	34
Klasa zamrażania	4 gwiazdki	4 gwiazdki	4 gwiazdki
Rodzaj rozmrażania	Automatyczne rozmrażanie	Automatyczne rozmrażanie	Automatyczne rozmrażanie
Czas wzrostu temperatury (h)	13	13	13
Wydajność zamrażania (kg/24h)	10,0	10,0	10,0
Klasa klimatyczna	SN.N.ST.T	SN.N.ST.T	SN.N.ST.T
Klasa emisji hałasu i emisja hałasu akustycznego w powietrzu (dB(A) re 1 pW)	B(35)	B(35)	B(35)

Model	HDPW5618CN*	HDPW5620CN*	HDPW5620AN*
Typ urządzenia chłodniczego	Chłodziarko-zamrażarka	Chłodziarko-zamrażarka	Chłodziarko-zamrażarka
Klasa efektywności energetycznej	C	C	A
Roczne zużycie energii (kWh/rok)	171	176	114
Pojemność komory chłodziarki (l)	201	255	255
Pojemność komory zamrażarki (l)	117	117	120
Objętość komory chłodniczej (l)	34	34	34
Klasa zamrażania	4 gwiazdki	4 gwiazdki	4 gwiazdki
Rodzaj rozmrażania	Automatyczne rozmrażanie	Automatyczne rozmrażanie	Automatyczne rozmrażanie
Czas wzrostu temperatury (h)	13	13	16
Wydajność zamrażania (kg/24h)	10,0	10,0	10,0
Klasa klimatyczna	SN.N.ST.T	SN.N.ST.T	SN.N.ST.T
Klasa emisji hałasu i emisja hałasu akustycznego w powietrzu (dB(A) re 1 pW)	B(35)	B(35)	B(35)

Dodatkowe dane techniczne

Model	HTW5618DN*	HTW5618EN*	HTW5620DN*
Całkowita pojemność (l)	360	360	414
Napięcie / Częstotliwość	220-240 V ~ / 50 Hz	220-240 V ~ / 50 Hz	220-240 V ~ / 50 Hz
Natężenie wejściowe (A)	1,4	1,4	1,4
Bezpiecznik główny (A)	16	16	16
Chłodziwo	R600a(53g)	R600a(53g)	R600a(53g)
Wymiary (szer./gł./wys. w mm)	595*667*1850	595*667*1850	595*667*2050

Model	HTW5618CN*	HTW5620CN*	HTW5620EN*
Całkowita pojemność (l)	360	414	414
Napięcie / Częstotliwość	220~240V/50Hz	220~240V/50Hz	220~240V/50Hz
Natężenie wejściowe (A)	1,4	1,4	1,4
Bezpiecznik główny (A)	15	15	16
Chłodziwo	R600a(50g)	R600a(50g)	R600a(53g)
Wymiary (szer./gł./wys. w mm)	595*667*1850	595*667*2050	595*667*2050

Model	HDPW5618DN*	HDPW5620DN*	HDPW3620DN*
Całkowita pojemność (l)	352	406	406
Napięcie / Częstotliwość	220~240V/50Hz	220~240V/50Hz	220~240V/50Hz
Natężenie wejściowe (A)	1.4	1.4	1.4
Bezpiecznik główny (A)	16	16	16
Chłodziwo	R600a(53g)	R600a(53g)	R600a(53g)
Wymiary (szer./gl./wys. w mm)	595*667*1850	595*667*2050	595*667*2050

Model	HDPW5618CN*	HDPW5620CN*	HDPW5620AN*
Całkowita pojemność (l)	352	406	409
Napięcie / Częstotliwość	220-240 V - / 50 Hz	220-240 V - / 50 Hz	220-240 V - / 50 Hz
Natężenie wejściowe (A)	1.4	1.4	1.4
Bezpiecznik główny (A)	15	15	15
Chłodziwo	R600a (50g)	R600a (50g)	R600a (50g)
Wymiary (szer./gl./wys. w mm)	595*667*1850	595*667*2050	595*667*2050



Model	HDPW5618CN*	HDPW5620CN*	HDPW5620AN*
Całkowita pojemność (l)	352	406	409
Napięcie / Częstotliwość	220~240V/50Hz	220~240V/50Hz	220~240V/50Hz
Natężenie wejściowe (A)	1.4	1.4	1.4
Bezpiecznik główny (A)	15	15	16
Chłodziwo	R600a(50g)	R600a(50g)	R600a(50g)
Wymiary (szer./gł./wys. w mm)	595*667*1850	595*667*2050	595*667*2050



Polecamy nasz system Obsługi Klienta Haier i stosowanie oryginalnych części zamiennych.

Jeśli masz problem z urządzeniem, najpierw sprawdź sekcję ROZWIĄZYWANIE PROBLEMÓW.

Jeżeli nie możesz znaleźć rozwiązania, skontaktuj się

- ▶ z lokalnym sprzedawcą lub
- ▶ naszym Europejskim Centrum Obsługi Klienta (zob. poniżej wymienione numery telefonów) lub
- ▶ obszarem serwisu i wsparcia na stroniewww.haier.com, gdzie można aktywować zgłoszenie
- ▶ serwisowe i znaleźć odpowiedzi na najczęściej zadawane pytania.

Zanim skontaktujesz się z naszym działem obsługi, upewnij się, że masz następujące dane.

Informacje można znaleźć na tabliczce znamionowej.

Model _____

Nr seryjny _____

Sprawdź także kartę gwarancyjną dostarczoną z produktem.

Europejskie Centrum Obsługi Klienta		
Kraj*	Numer telefonu	Koszty
Haier Italy (IT)	199 100 912	
Haier Spain (ES)	902 509 123	
Haier Germany (DE)	0180 5 39 39 99	<ul style="list-style-type: none"> • 14 centów/min. telefon stacjonarny • maks. 42 centów/min. telefon komórkowy
Haier Austria (AT)	0820 001 205	<ul style="list-style-type: none"> • 14,53 centów/min. telefon stacjonarny • maks. 20 centów/min. wszystkie pozostałe
Haier United Kingdom (UK)	0333 003 8122	
Haier France (FR)	0980 406 409	



* Numery innych krajów można znaleźć na stronie www.haier.com

Haier Europe Trading S.r.l

Oddział Wielka Brytania

Westgate House, Westgate, Ealing

Londyn, W5 1YY

*Okres gwarancji na urządzenie chłodnicze:

Minimalna gwarancja wynosi: 2 lata dla krajów UE, 3 lata dla Turcji, 1 rok dla Wielkiej Brytanii, 1 rok dla Rosji, 3 lata dla Szwecji, 2 lata dla Serbii, 5 lat dla Norwegii, 1 rok dla Maroka, 6 miesięcy dla Algierii, w Tunezji nie jest wymagana gwarancja prawna.

*Okres dla części zamiennych do naprawy urządzenia:

Termostaty, czujniki temperatury, płytki drukowane i źródła światła są dostępne przez okres co najmniej siedem lat od wprowadzenia na rynek ostatniego egzemplarza modelu.

Klamki, zawiasy drzwi, tace i kosze przez okres co najmniej siedem lat, a uszczelki drzwi przez okres co najmniej 10 lat od wprowadzenia na rynek ostatniego egzemplarza modelu.

Aby uzyskać więcej informacji o produkcie, odwiedź stronę internetową <https://eprel.ec.europe.eu/> lub zeskanuj kod QR na etykiecie wydajności energetycznej dołączonej do urządzenia.




Haier

2023 Wersja A



0060534356

<u>465</u> Informações de segurança	• Antes da primeira utilização	466
	• Instalação	466
	• Utilização diária	467
<u>470</u> Utilização prevista	•	
<u>471</u> Descrição do produto	•	
<u>475</u> Painel de controlo	•	
<u>476</u> Utilização	• Ajuste a temperatura para o frigorífico	477
	• Ajustar a temperatura do congelador	477
	• Ajustar a temperatura para My Zone	477
	• Função Super Cool	478
	• Função Super Freeze	479
<u>484</u> Equipamento	•	
<u>488</u> Dicas de poupança de energia	•	
<u>489</u> Cuidados e limpeza	•	
<u>492</u> Resolução de problemas	•	
<u>496</u> Instalação	•	
<u>500</u> Dados técnicos	•	
<u>506</u> Assistência ao Cliente	•	



Clique no conteúdo para ver as informações pormenorizadas.



Obrigado por comprar um produto Haier.

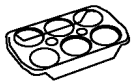


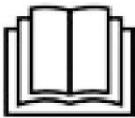
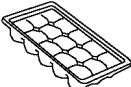



Leia atentamente estas instruções antes de utilizar este aparelho. As instruções contêm informações importantes que irão ajudá-lo a obter o melhor proveito do aparelho e garantir a instalação, o uso e a manutenção seguros e adequados.

Mantenha este manual num local conveniente para que o possa sempre consultar para uma utilização segura e adequada do aparelho.

Se vender, oferecer ou deixar o aparelho para trás, caso mude de casa, certifique-se de que entrega também este manual para que o novo proprietário se possa familiarizar com o aparelho e os avisos de segurança.

Acessórios

Verifique os acessórios e a literatura de acordo com esta lista:

			
Bandeja para ovos	Etiqueta energética	Cartão de garantia	Manual do utilizador
			
Bandeja de cubos de gelo	Dobradiças da porta	Tampa da dobradiça	Inserção da tampa

**AVISO - Informação importante de segurança****NOTA - Informações gerais e dicas****Informação ambiental****Eliminação**

Ajude a proteger o ambiente e a saúde humana. Coloque a embalagem em recipientes adequados para reciclagem. Ajude a reciclar resíduos de aparelhos elétricos e eletrônicos. Não elimine os aparelhos identificados com este símbolo com o lixo doméstico. Entregue o produto na sua unidade de reciclagem local ou entre em contacto com seu gabinete municipal.

**AVISO!**

Risco de lesão ou sufocação!

Os refrigerantes e os gases devem ser eliminados de forma profissional. Certifique-se de que os tubos do circuito refrigerante não estão danificados antes de serem devidamente eliminados. Desligue o aparelho da alimentação elétrica. Corte o cabo de alimentação de rede e elimine-o. Remova as bandejas e gavetas, bem como a pega e vedantes da porta, para evitar que crianças e animais de estimação se fechem no interior do aparelho.



Antes de ligar o aparelho pela primeira vez, leia as seguintes dicas de segurança!:



AVISO!

Antes da primeira utilização

- ▶ Certifique-se de que não há danos provocados pelo transporte.
- ▶ Remova todas as embalagens e mantenha-as fora do alcance das crianças.
- ▶ Aguarde no mínimo duas horas antes de instalar o aparelho, de forma a garantir que o circuito refrigerante está com eficiência total.
- ▶ Manuseie o aparelho sempre com pelo menos duas pessoas porque é pesado.

Instalação

- ▶ O aparelho deve ser colocado num local bem ventilado. Certifique-se de que existe um espaço de, pelo menos, 10 cm por cima e ao redor do aparelho.
- ▶ Nunca coloque o aparelho numa área húmida ou num local onde possa ser salpicado com água. Limpe e seque as salpicos de água e manchas com um pano macio limpo.
- ▶ Não instale o aparelho sob luz solar direta ou na proximidade de fontes de calor (por exemplo, fogões, aquecedores).
- ▶ Instale e nivele o aparelho numa área adequada para o seu tamanho e utilização.
- ▶ Mantenha as aberturas de ventilação no aparelho ou na estrutura embutida livres de obstruções.
- ▶ Certifique-se de que as informações elétricas na placa de classificação correspondem à rede elétrica. Se não, entre em contato com um electricista.
- ▶ O aparelho é operado por uma fonte de alimentação de 220-240 VAC/50 Hz. Uma flutuação da tensão anormal pode fazer com que o aparelho não ligue ou danifique o controlo da temperatura ou o compressor, ou pode haver um ruído anormal durante o funcionamento. Nesse caso, deve ser montado um regulador automático.
- ▶ Não use adaptadores de fichas múltiplas nem cabos de extensão.
- ▶ Não coloque tomadas triplas múltiplas portáteis ou fontes de alimentação portáteis na parte traseira do aparelho.
- ▶ Certifique-se de que o cabo de alimentação não fica preso pelo frigorífico. Não pise o cabo de alimentação.

**AVISO!**

- ▶ Use uma tomada de terra separada para a rede elétrica que seja fácil de aceder. Este aparelho deve ser ligado à terra.
Apenas para o Reino Unido: O cabo de alimentação do aparelho está equipado com uma ficha de 3 cabos (terra) que se encaixa numa tomada standard de 3 cabos (ligada à terra). Nunca corte ou desmonte o terceiro pino (terra). Após a instalação do aparelho, a tomada deve ficar acessível.
- ▶ Não danifique o circuito refrigerante.

Utilização diária

- ▶ Este aparelho pode ser utilizado por crianças de idade igual ou superior a 8 anos e por pessoas com capacidades físicas, sensoriais ou mentais reduzidas ou falta de experiência e conhecimento, caso lhes tenha sido fornecida supervisão ou instruções relativas à utilização do aparelho de forma segura e desde que compreendam os perigos envolvidos.
- ▶ As crianças de 3 a 8 anos são autorizadas a carregar e descarregar, mas não podem limpar e instalar os aparelhos de refrigeração.
- ▶ Mantenha as crianças com menos de 3 anos de idade afastadas do aparelho, a menos que estejam constantemente sob supervisão.
- ▶ As crianças não devem brincar com o aparelho.
- ▶ Se o gás refrigerante ou outro gás inflamável verter perto do aparelho, desligue a válvula do gás de fuga, abra as portas e janelas e não desligue uma ficha no cabo de alimentação do frigorífico ou de qualquer outro aparelho.
- ▶ Notar que o aparelho está definido para funcionar num intervalo de temperatura ambiente específico entre 10 °C e 43 °C. O aparelho não pode funcionar corretamente se for deixado por um longo período a uma temperatura acima ou abaixo do intervalo indicado.
- ▶ Não coloque artigos instáveis (objetos pesados, recipientes cheios de água) em cima do frigorífico, para evitar lesões pessoais causadas por queda ou choque elétrico causado pelo contacto com a água.
- ▶ Não puxe pelas prateleiras da porta. A porta pode inclinar-se, o suporte de garrafas pode sair para fora ou o aparelho pode tombar.
- ▶ Abra e feche as portas apenas pelas pegas. O espaço entre as portas e entre as portas e o armário é muito estreito. Não ponha as mãos nessas áreas para evitar entalar os dedos. Abra ou feche as portas do frigorífico apenas quando não houver crianças dentro do alcance do movimento das portas.

**AVISO!**

- ▶ Não guarde nem use materiais inflamáveis, explosivos ou corrosivos no aparelho ou nas proximidades.
- ▶ Não guarde medicamentos, bactérias ou agentes químicos no aparelho. Este aparelho é um eletrodoméstico. Não é recomendado armazenar materiais que necessitem de temperaturas rigorosas.
- ▶ Nunca guarde líquidos em garrafas ou latas (exceto bebidas alcoólicas) especialmente bebidas gaseificadas no congelador, porque estas rebentam quando congeladas.
- ▶ Verifique o estado dos alimentos caso ocorra aquecimento no congelador.
- ▶ Não ajuste uma temperatura desnecessariamente baixa no frigorífico. Podem ocorrer temperaturas negativas com altas definições. Atenção: As garrafas podem rebentar
- ▶ Não toque em artigos congelados com as mãos húmidas (use luvas). Especialmente não coma gelados de gelo imediatamente depois de os retirar do congelador. Existe o risco de congelar ou de se formarem bolhas de queimadura por gelo. PRIMEIROS socorros: passar imediatamente por água fria corrente. Não puxe!
- ▶ Não toque na superfície interna do compartimento do congelador, quando em funcionamento, especialmente com as mãos molhadas, pois as mãos podem congelar na superfície.
- ▶ Desligue o aparelho em caso de interrupção da energia ou antes da limpeza. Deixe passar pelo menos 7 minutos antes de reiniciar o aparelho, pois o arranque frequente pode danificar o compressor.
- ▶ Não utilize dispositivos elétricos no interior dos compartimentos para armazenamento de comida do aparelho, a não ser que sejam do tipo recomendado pelo fabricante. Manutenção/limpeza
- ▶ Certifique-se de que as crianças estão vigiadas caso estejam a realizar a limpeza e manutenção.
- ▶ Desligue o aparelho da alimentação elétrica antes de realizar qualquer manutenção de rotina. Deixe passar pelo menos 5 minutos antes de voltar a ligar o aparelho pois o arranque frequente pode danificar o compressor.

**AVISO!**

- ▶ Segure a ficha, não o cabo, ao desligar o aparelho.
- ▶ Não limpe o aparelho com escovas duras, escovas de arame, detergente em pó, gasolina, acetato de amilo, acetona e soluções orgânicas semelhantes, soluções ácidas ou alcalinas. Limpe com detergente especial do frigorífico para evitar danos.
- ▶ Não raspe o gelo com objetos afiados. Não use sprays, aquecedores elétricos, como secadores de cabelo, dispositivos de limpeza a vapor ou outras fontes de calor, de forma a evitar danos às peças plásticas.
- ▶ Não utilize dispositivos mecânicos ou outros meios para acelerar o processo de descongelação, que não os recomendados pelo fabricante.
- ▶ Se o cabo de alimentação estiver danificado, tem de ser substituído pelo fabricante, pelo agente de serviço ou por pessoas igualmente qualificadas de forma a evitar o perigo.
- ▶ Não tente reparar, desmontar ou modificar o aparelho sozinho. Em caso de reparação, entre em contacto com a nossa assistência ao cliente.
- ▶ Elimine o pó na parte de trás da unidade pelo menos uma vez no ano para evitar perigo de incêndio, bem como o aumento do consumo de energia.
- ▶ Não pulverize ou lave o aparelho durante a limpeza.
- ▶ Não use spray de água ou vapor para limpar o aparelho.
- ▶ Não lave prateleiras de vidro frias com água quente. A mudança súbita de temperatura pode fazer com que o vidro se quebre.

Informações sobre gases refrigerantes**AVISO!**

O aparelho contém o refrigerante inflamável ISOBUTANO (R600a). Certifique-se de que o circuito refrigerante não fica danificado durante o transporte ou instalação. A fuga de refrigerante pode causar lesões oculares ou inflamações. Se ocorrer um dano, mantenha afastadas fontes de chama aberta, ventile completamente a sala, não ligue ou desligue os cabos de alimentação do eletrodoméstico ou de qualquer outro aparelho. Informe a assistência ao cliente.

No caso de os olhos entrarem em contacto com o fluido refrigerante, lave-os imediatamente sob água corrente e contacte imediatamente um oftalmologista.



Utilização prevista

Este aparelho destina-se a arrefecer e congelar alimentos. Foi desenhado exclusivamente para uso em aplicações domésticas e semelhantes, como áreas de cozinha para pessoal em lojas, escritórios e outros ambientes de trabalho; casas agrícolas e por clientes em hotéis, motéis e outros ambientes de tipo residencial, bem como em negócios de pousada e de catering. Não se destina a utilização comercial ou industrial. Não são permitidas alterações ou modificações no aparelho. Uma utilização indevida pode causar riscos e perda de reivindicações de garantia.

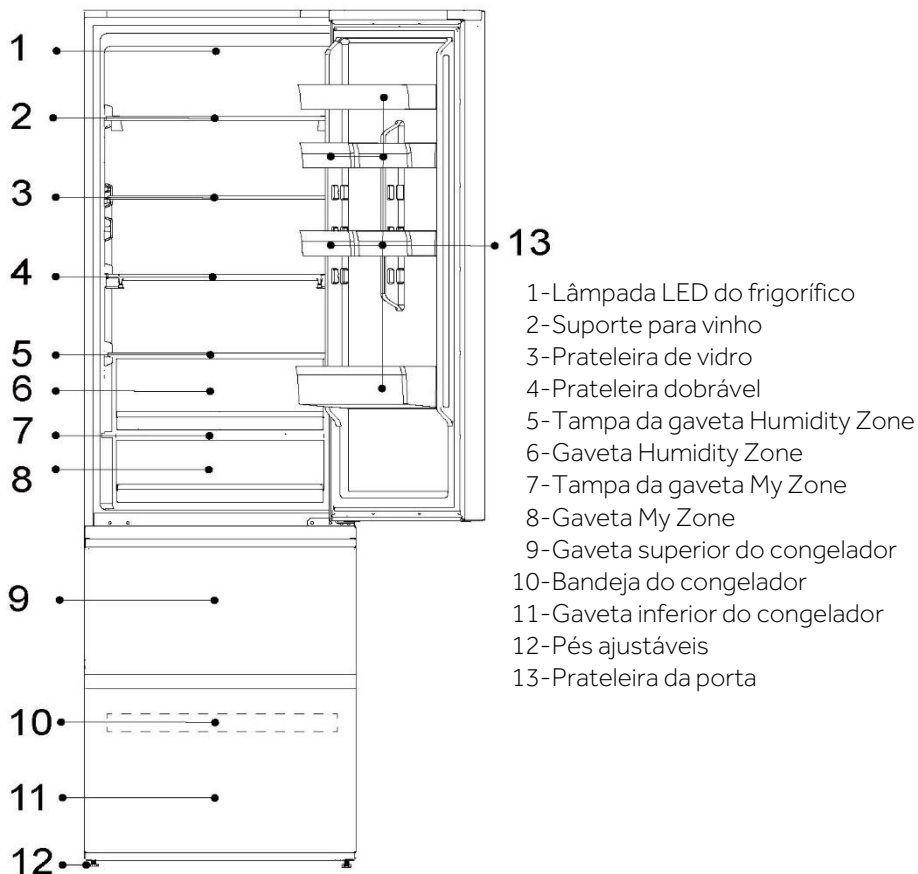
Normas e diretivas

Este produto cumpre os requisitos de todas as diretivas CE aplicáveis com as normas harmonizadas correspondentes, que permitem a marcação CE.

**i** AVISO

Devido a alterações técnicas e a modelos diferentes, algumas das ilustrações neste manual podem ser diferentes do modelo.

(HTW5620EN*, HTW5620DN*, HTW5620CN*)

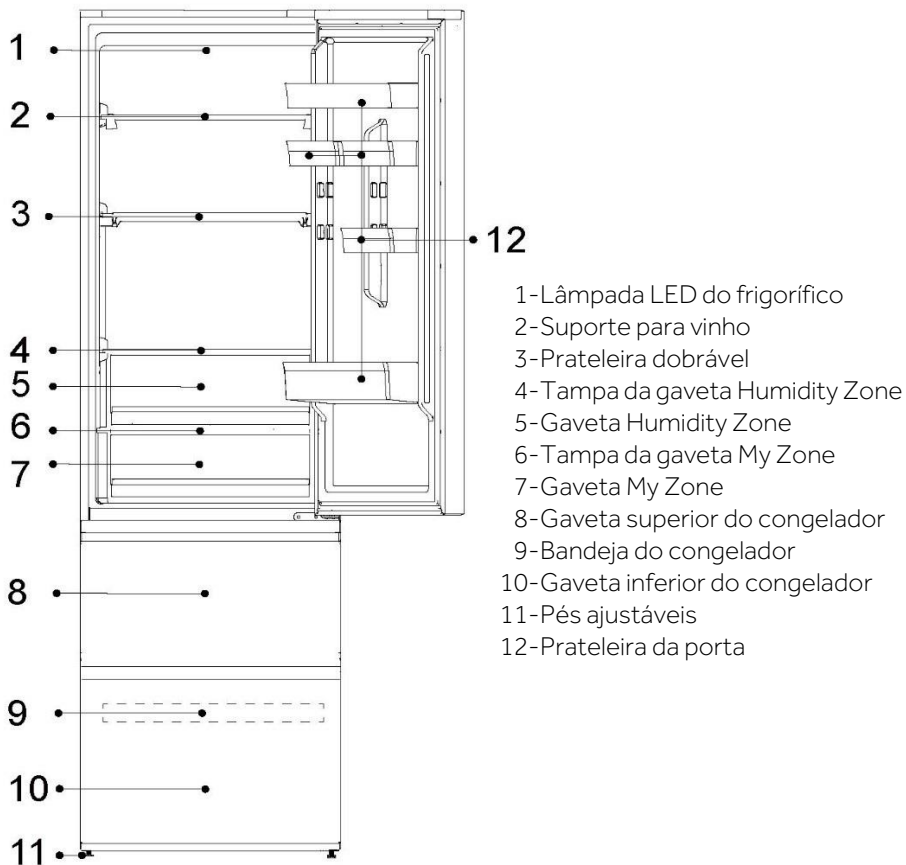




i AVISO

Devido a alterações técnicas e a modelos diferentes, algumas das ilustrações neste manual podem ser diferentes do modelo.

(HTW5618DN*, HTW5618CN*, HTW5618EN*)

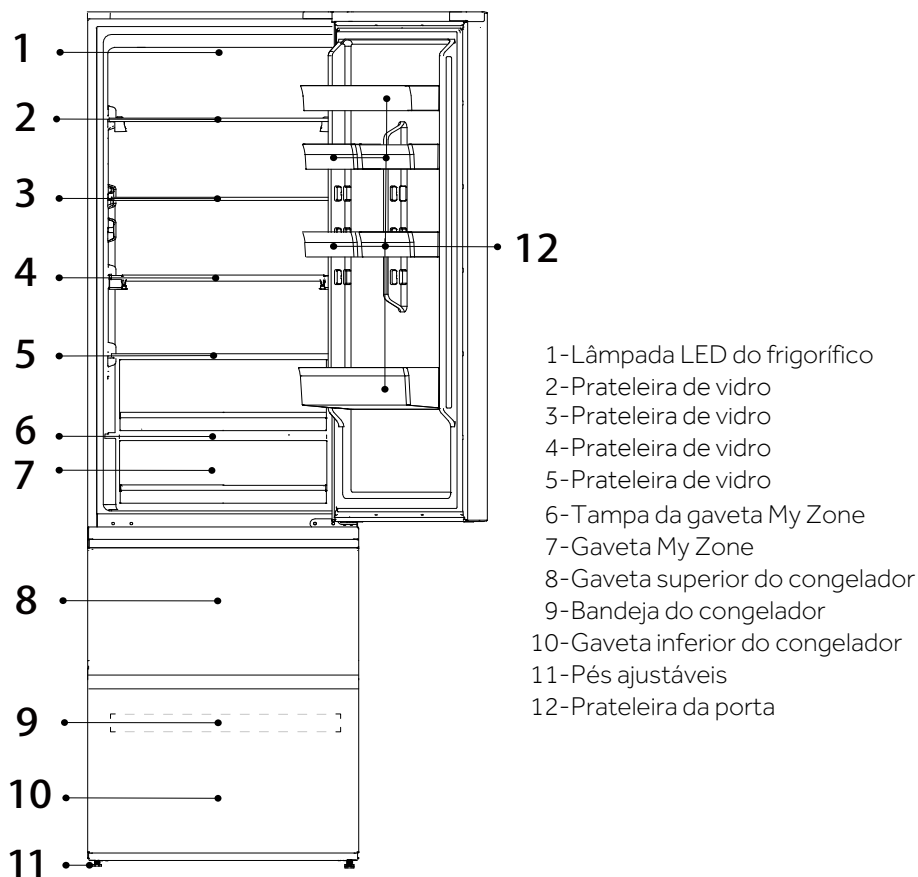


- 1-Lâmpada LED do frigorífico
- 2-Suporte para vinho
- 3-Prateleira dobrável
- 4-Tampa da gaveta Humidity Zone
- 5-Gaveta Humidity Zone
- 6-Tampa da gaveta My Zone
- 7-Gaveta My Zone
- 8-Gaveta superior do congelador
- 9-Bandeja do congelador
- 10-Gaveta inferior do congelador
- 11-Pés ajustáveis
- 12-Prateleira da porta

AVISO

Devido a alterações técnicas e a modelos diferentes, algumas das ilustrações neste manual podem ser diferentes do modelo.

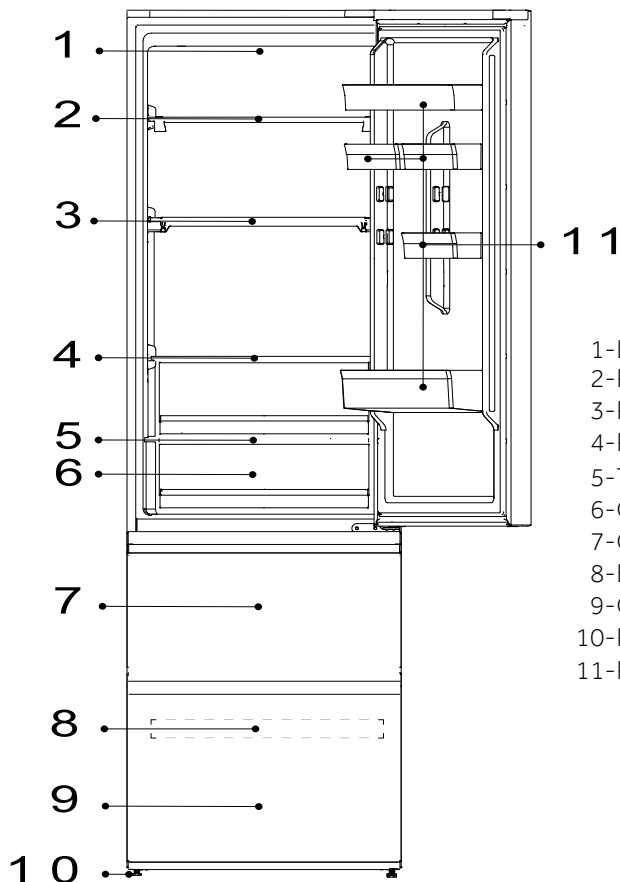
(HTW3620EN*, HTW3620DN*, HTW3620CN*)



i AVISO

Devido a alterações técnicas e a modelos diferentes, algumas das ilustrações neste manual podem ser diferentes do modelo.

(HTW3618EN*, HTW3618DN*, HTW3618CN*)

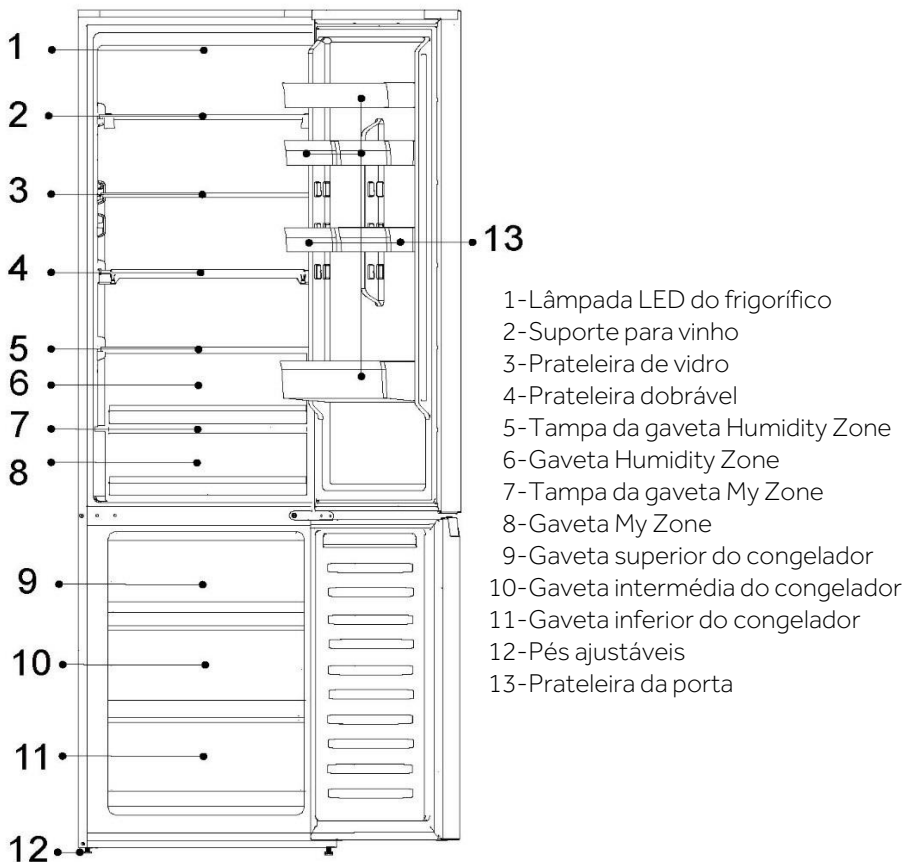


- 1-Lâmpada LED do frigorífico
- 2-Prateleira de vidro
- 3-Prateleira de vidro
- 4-Prateleira de vidro
- 5-Tampa da gaveta My Zone
- 6-Gaveta My Zone
- 7-Gaveta superior do congelador
- 8-Bandeja do congelador
- 9-Gaveta inferior do congelador
- 10-Pés ajustáveis
- 11-Prateleira da porta

**i** AVISO

Devido a alterações técnicas e a modelos diferentes, algumas das ilustrações neste manual podem ser diferentes do modelo.

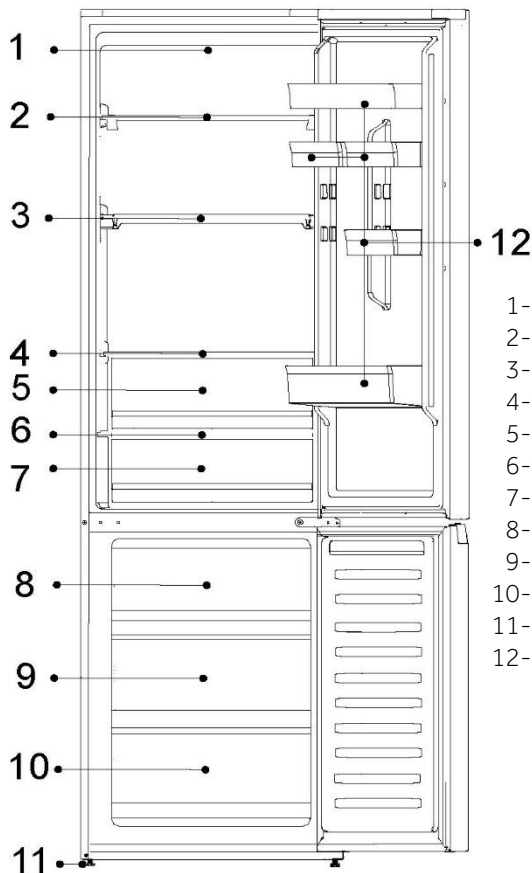
(HDPW5620DN*, HDPW5620CN*, HDPW5620BN*, HDPW5620AN*)



**i** AVISO

Devido a alterações técnicas e a modelos diferentes, algumas das ilustrações neste manual podem ser diferentes do modelo.

(HDPW5618DN*, HDPW5618CN*)

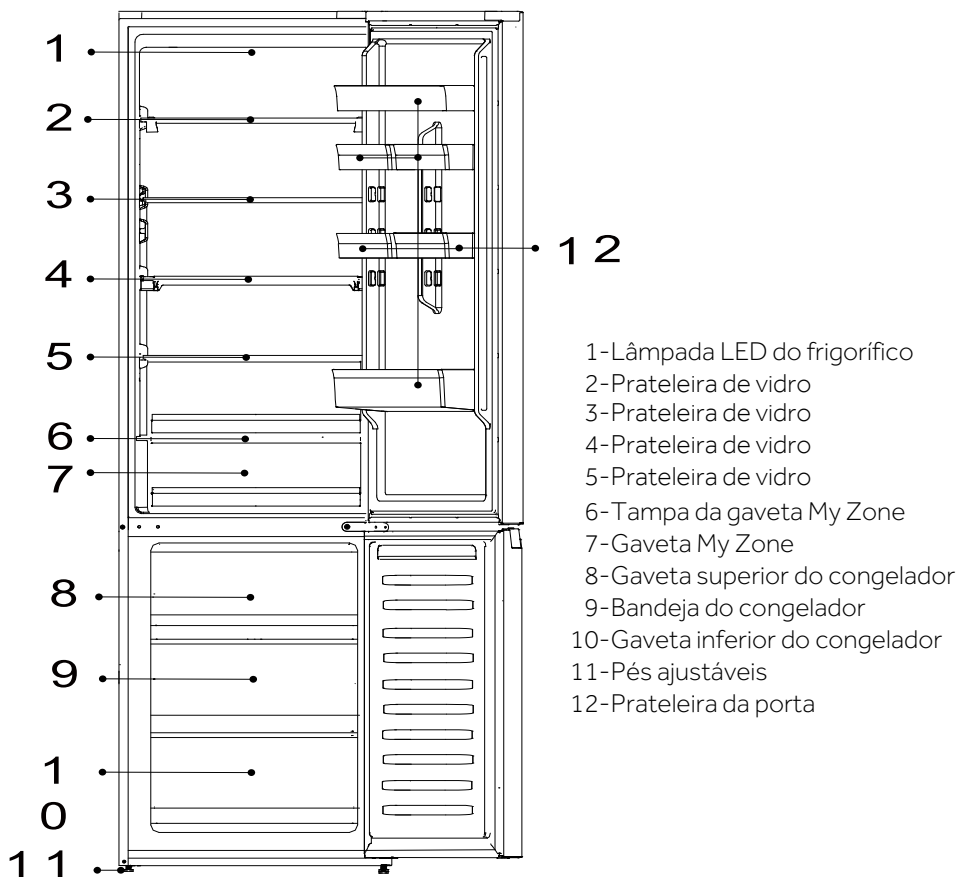


- 1-Lâmpada LED do frigorífico
- 2-Suporte para vinho
- 3-Prateleira dobrável
- 4-Tampa da gaveta Humidity Zone
- 5-Gaveta Humidity Zone
- 6-Tampa da gaveta My Zone
- 7-Gaveta My Zone
- 8-Gaveta superior do congelador
- 9-Gaveta intermédia do congelador
- 10-Gaveta inferior do congelador
- 11-Pés ajustáveis
- 12-Prateleira da porta

**i** AVISO

Devido a alterações técnicas e a modelos diferentes, algumas das ilustrações neste manual podem ser diferentes do modelo.

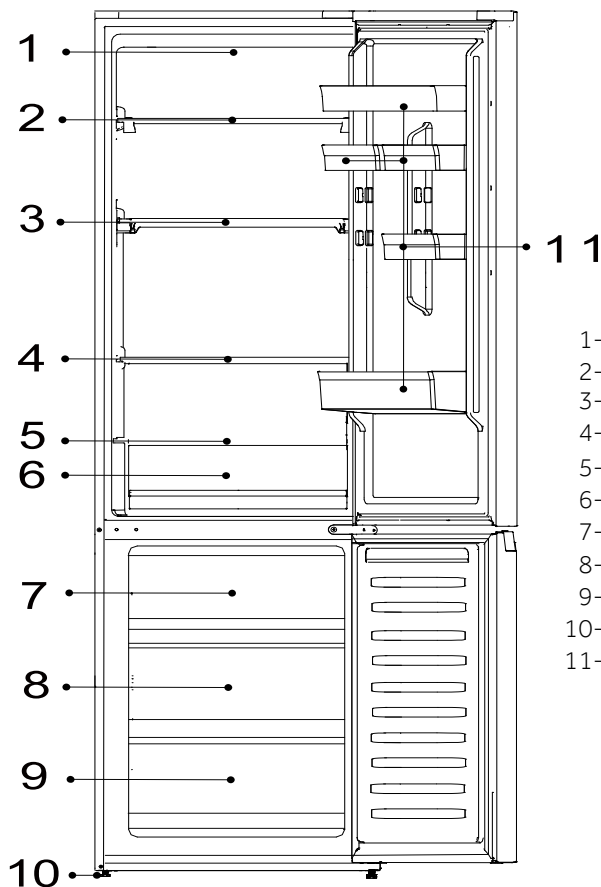
(HTW3620EN*, HTW3620DN*, HTW3620CN*)



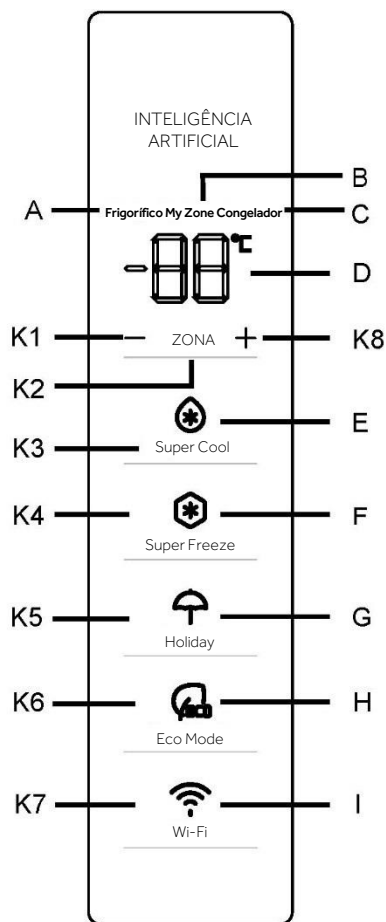
**i** AVISO

Devido a alterações técnicas e a modelos diferentes, algumas das ilustrações neste manual podem ser diferentes do modelo.

(HTW3618EN*, HTW3618DN*, HTW3618CN*)



- 1-Lâmpada LED do frigorífico
- 2-Prateleira de vidro
- 3-Prateleira de vidro
- 4-Prateleira de vidro
- 5-Tampa da gaveta My Zone
- 6-Gaveta My Zone
- 7-Gaveta superior do congelador
- 8-Bandeja do congelador
- 9-Gaveta inferior do congelador
- 10-Pés ajustáveis
- 11-Prateleira da porta

Painel de controlo

Indicadores:

- A Compartimento do frigorífico
- B Compartimento de arrefecimento (My Zone)
- C Compartimento do congelador
- D Indicação da temperatura
- E Função Super Cool
- F Função Super Freeze
- G Função Holiday
- H Função Eco Mode
- I Função Wi-Fi

Botões:

- K1 Diminuir a temperatura
- K2 Seleção de Frigorífico, My Zone e Congelador
- K3 Ligar/Desligar função Super Cool
- K4 Ligar/Desligar a função Super Freeze
- K5 Ligar/Desligar a função Holiday
- K6 Ligar/Desligar função Eco Mode
- K7 Ligar/Desligar função Wi-Fi
- K8 Aumentar a temperatura

Antes da primeira utilização

Remova todos os materiais de embalagem e mantenha-os fora do alcance das crianças e elimine-os de forma ecológica.

Limpe o interior e o exterior do aparelho, bem como o interior e os acessórios com água e um detergente suave, e seque bem com um pano macio.

Após o aparelho ter sido nivelado e limpo, aguarde pelo menos 2 horas antes de o ligar à rede elétrica. Consulte a secção **INSTALAÇÃO**.



Pré-arrefeça os compartimentos com definições elevadas antes de carregar com alimentos. A função Super Freeze ajuda a arrefecer rapidamente o compartimento do congelador

Botões do sensor

Os botões no painel de controlo são teclas de sensor que respondem logo quando tocadas levemente com o dedo.

Ligar/Desligar o aparelho

O aparelho fica em funcionamento assim que for ligado à rede elétrica.

Quando o aparelho é ligado pela primeira vez, os indicadores de temperatura "D" mostram os valores de predefinição (consulte o aviso abaixo).

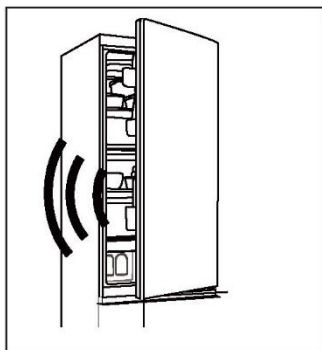
AVISO

O aparelho está pré-ajustado para a temperatura recomendada de 5°C (frigorífico) e -18°C (congelador). A temperatura da My Zone está predefinida para cerca de 2°C. Estas são as definições recomendadas. Se desejar, pode alterar estas temperaturas manualmente.

Alarme de abertura da porta

Quando a porta do frigorífico fica aberta durante mais de 3 minutos, o alarme de abertura da porta soa.

O alarme pode ser silenciado fechando a porta. Se a porta ficar aberta durante mais de 7 minutos, a luz no interior do frigorífico e a iluminação do painel de controlo apagam-se automaticamente.



Ajustar a temperatura

As temperaturas interiores são influenciadas pelos seguintes fatores:

- ▶ Temperatura ambiente
- ▶ Frequência de abertura da porta



- ▶ Quantidade de alimentos armazenados
- ▶ Instalação do aparelho

Ajuste a temperatura para o frigorífico

1. Premir o botão "K2" (seleção Frigorífico/(My Zone)/Congelador) para selecionar o compartimento do frigorífico. O ícone "A" (compartimento do frigorífico) e "D" (exibição de temperatura) estão luminosos.
2. Prima o botão "K1/K8" para ajustar a temperatura do frigorífico.

A temperatura aumenta em sequências de 1°C, de um mínimo de 2°C a um máximo de 8°C. A temperatura ótima no frigorífico é de 5°C. Temperaturas mais frias significam um consumo desnecessário de energia.

3. Depois de cerca de 5s, o ícone de temperatura "D" (Visor de temperatura) fica aceso permanentemente e a definição está confirmada.

Ajustar a temperatura do congelador

1. Premir o botão "K2" (seleção Frigorífico/(My Zone)/Congelador) para selecionar o compartimento do congelador. O ícone "C" (compartimento do congelador) e "D" (exibição de temperatura) estão acesos.
2. Prima o botão "K1/K8" para ajustar a temperatura do congelador.

A temperatura aumenta em sequências de 1°C, de um mínimo de -24°C a um máximo de -16°C. A temperatura ideal no frigorífico é -18°C. Temperaturas mais frias representam um consumo de energia desnecessário.

3. Depois de cerca de 5s, o indicador de temperatura "D" (Visor de temperatura) fica aceso permanentemente e a definição está confirmada.

Ajustar a temperatura para My Zone

O compartimento do frigorífico está equipado com uma gaveta My Zone. De acordo com as necessidades de armazenamento dos alimentos, a temperatura mais adequada pode ser selecionada para obter o valor nutricional ideal dos alimentos.

1. Premir o botão "K2" (seleção Frigorífico/(My Zone)/Congelador) para selecionar o compartimento My Zone. O ícone "B" (compartimento My Zone) e "D" (exibição de temperatura) estão acesos.
2. Prima o botão "K1/K8" para ajustar a temperatura My Zone.

A temperatura aumenta em sequências de 1°C, de um mínimo de 0°C a um máximo de 5°C.



3. Depois de cerca de 5s, o ícone de temperatura "D" (Visor de temperatura) fica aceso permanentemente e a definição está confirmada.

AVISO

1. Pode definir a temperatura do compartimento My Zone para o nível médio (2°C), a fim de preservar seus alimentos no ambiente de armazenamento ideal.
2. Devido a diferentes conteúdos de água da carne, alguma carne com mais humidade será congelada a temperaturas inferiores a 0 °C. Assim, a carne "acabada de cortar" deve ser armazenada na gaveta My Zone, com uma temperatura mínima de 0°C.
3. Frutas sensíveis ao frio como ananases, abacates, bananas, toranjas e legumes como batatas, beringelas, feijão, pepinos, abobrinhas e tomates e queijos não devem ser armazenados na gaveta My Zone
4. Se a temperatura do frigorífico for inferior à temperatura My Zone, é normal a temperatura My Zone ser menor do que a temperatura definida da My Zone.

AVISO

Após a definição da temperatura, se outros botões forem premidos dentro de 5 segundos, a regulação da temperatura atual será confirmada imediatamente. Se não for premido nenhum botão dentro de 5 segundos, a temperatura atualmente regulada é exibida até o ecrã se apagar.

AVISO

A partir da aplicação é possível personalizar a temperatura para o frigorífico, o congelador e a My Zone. A temperatura pode ser ajustada com sensibilidade de 1 °C.

Função Super Cool

1. Sugere-se ligar a função Super Cool se se tiver de guardar uma grande quantidade de alimentos (por exemplo após uma ida às compras). A função Super Cool acelera o arrefecimento de alimentos frescos e protege os alimentos armazenados de aquecimento indesejável.
2. Prima o botão "K3" ou ative-o a partir da aplicação, o ícone "E" (Função Super Cool) fica aceso e a função é ativada.



i AVISO

1. O aparelho deixa a função "Super Cool" depois de entrar na "função Super Cool" durante 6 horas ou premindo o botão "K3" quando o ícone "E" (função Super Cool) fica aceso ou desligar da aplicação.
2. No estado de Super Cool, se se ajustar a temperatura do compartimento do frigorífico, o ícone "E" (função Super Cool) pisca para indicar que esta operação não pode ser realizada.

Função Super Freeze

1. Os alimentos frescos devem ser congelados o mais rapidamente possível até ao núcleo. Isto ajuda a preservar o melhor valor nutricional, a aparência e o sabor. A função Super Freeze acelera o arrefecimento de alimentos frescos e protege os alimentos já armazenados de aquecimento indesejável. Se precisar de congelar uma grande quantidade de alimentos de uma vez, recomenda-se definir a função Super Freeze atempadamente 24h antes da utilização do congelador.
2. Prima o botão "K4" (definição da função Super Freeze) ou ligue a partir da aplicação, o ícone "F" (função Super Freeze) fica aceso e a função é ativada.

i AVISO

1. O aparelho deixa a função "Super Freeze" depois de entrar na "função Super Freeze" durante 50 horas ou premindo o botão "K4" quando o ícone "F" (função Super Freeze) fica aceso ou desligar da aplicação.
2. No estado de Super Freeze, se se ajustar a temperatura do compartimento do congelador, o ícone "F" (função Super Freeze) pisca para indicar que esta operação não pode ser feita.

Função Holiday

A função Holiday pode ser usada para reduzir o consumo de energia do aparelho, quando não é usado regularmente. Quando a função estiver ligada, o frigorífico está desligado, enquanto o congelador continua a funcionar normalmente. A função ajusta a temperatura do frigorífico permanentemente a 17°C.

Isto permite manter a porta do frigorífico vazia fechada sem causar cheiro ou mofo - durante uma longa ausência (p.ex. durante as férias). O compartimento do congelador pode ser configurado ao seu gosto.

1. Prima o botão "K5" (função Holiday on/off) ou selecione a função da aplicação, o ícone "G" (função Holiday) fica aceso e a função é ativada.



2. A função pode ser desativada premindo novamente o botão "K5" (ligar/desligar função Holiday) ou ajustando a temperatura do frigorífico ou realizando qualquer outra configuração ou desligando-a da aplicação.

AVISO

1. Durante a função Holiday, nenhum alimento deve ser guardado no compartimento do frigorífico. A temperatura de 17 °C é demasiado elevada para armazenar alimentos.
2. Quando a função Holiday está ligada, o ícone My Zone continua desligado e a função do frigorífico está bloqueada. Se a temperatura do compartimento do frigorífico for ajustada, o ícone "G" (função Holiday) pisca para indicar que esta operação não pode ser feita.

Função Eco Mode

O modo Eco Mode pode ser ativado para otimizar o desempenho do aparelho, obtendo-se simultaneamente o melhor armazenamento de alimentos. Se não tiver quaisquer requisitos especiais, recomendamos que utilize a função Eco Mode.

Neste modo, a temperatura do frigorífico é de 5 °C, a temperatura do congelador é de -18 °C.

1. Prima o botão "K6" (Ligar/Desligar função Eco Mode) ou selecione a função da aplicação.
2. O ícone "H" (função Eco Mode) está aceso e a função é ativada. Repetindo os passos acima ou selecionando uma outra função, ou desligando da aplicação, esta função pode ser desligada novamente. Os níveis de refrigeração definidos anteriormente são restaurados.

AVISO

Durante a função Eco Mode, se a temperatura do compartimento frigorífico/congelador for ajustada, o ícone "H" (função Eco Mode) pisca para indicar que esta operação não pode ser feita.



Passo 1 Faça download da aplicação hOn nas lojas.

   	
<p>Passo 2 Crie a sua conta na aplicação hOn ou faça login se já tiver uma conta.</p> 	<p>Passo 3 Siga as instruções de emparelhamento na aplicação hOn.</p> 

Função Wi-Fi

1. Siga as instruções da aplicação para configurar o Wi-Fi.
2. Logo que o Wi-Fi esteja configurado e a conexão estabelecida, o ícone Wi-Fi "I" fica aceso e fixo.
3. Se o Wi-Fi já estiver configurado, será reconectado automaticamente de acordo com as informações de configuração se se ligar o Wi-Fi.

i AVISO

1. Para desligar o Wi-Fi, prima o botão Wi-Fi "K7" e o ícone Wi-Fi "I" desliga-se.
2. Para ativar o Wi-Fi e iniciar a configuração, prima o botão Wi-Fi "K7" e o ícone Wi-Fi "I" começa a piscar lentamente. Se quiser configurar a função Wi-Fi, prima o botão "K7" durante 3 segundos, o ícone Wi-Fi pisca rapidamente e entra no modo de configuração. Se quiser desligar a função Wi-Fi, prima uma vez o botão "K7". Os passos acima são repetidos.
3. Se o produto estiver configurado e a função Wi-Fi tiver sido desligada, o frigorífico não entrará no modo de configuração assim que for novamente conectado à energia elétrica.

i AVISO

1. Este produto não se destina a utilização comercial.
2. A potência máxima de saída RF: 2.4 GHz Wi-Fi: 16dBm;
3. Bluetooth® Low Energy: 5dBm; Bluetooth® (BR/EDR): 10dBm.
4. Faixa de frequência de funcionamento: 2400-2483,5 MHz.



A marca verbal Bluetooth® e os logótipos são marcas registradas pertencentes à Bluetooth SIG, Inc. e qualquer uso destes identificadores pela Candy Hoover Group SRL é feito sob licença. Outras marcas e nomes comerciais são propriedade dos seus respectivos titulares.

Guardar no compartimento do frigorífico

- Mantenha a temperatura do frigorífico inferior a 5°C.
- Os alimentos quentes devem ser arrefecidos até à temperatura ambiente antes de serem armazenados no aparelho.
- Os alimentos armazenados no frigorífico devem ser lavados e secos antes de serem armazenados.
- Os alimentos a armazenar devem estar devidamente selados para evitar alterações no aroma ou no sabor.
- Não guarde quantidades excessivas de alimentos. Deixe espaços entre os alimentos para permitir que o ar frio flua ao seu redor, para um arrefecimento melhor e mais homogéneo.
- Os alimentos consumidos diariamente devem ser guardados na frente da prateleira.
- Deixe um espaço entre os alimentos e as paredes internas, permitindo que o ar flua. Em caso algum, armazene alimentos encostados à parede traseira: os alimentos podem congelar contra a parede traseira. Evite o contacto direto dos alimentos (especialmente os alimentos oleosos ou ácidos) com o revestimento interno, pois o óleo / ácido pode erodir o revestimento interno. Limpe a sujidade oleosa/ácida sempre que for encontrada.
- Os alimentos congelados podem ser delicadamente descongelados no compartimento do frigorífico. Isto economiza energia.
- O processo de envelhecimento da fruta e dos legumes, como curgetes, melões, papaia, banana, ananases, etc. pode ser acelerado no frigorífico. Portanto, não é recomendado armazená-los no frigorífico. No entanto, o amadurecimento de frutas muito verdes pode ser promovido durante um determinado período. Cebolas, alho, gengibre e outros legumes radiculares também devem ser armazenados à temperatura ambiente.
- Odores desagradáveis dentro do frigorífico são um sinal de que algo foi derramado e é necessário limpar. Ver Cuidados e Limpeza.
- Diferentes alimentos devem ser colocados em diferentes áreas, de acordo com as suas propriedades.

Armazenamento no congelador

- Mantenha a temperatura do congelador a -18°C.
- 24 horas antes de congelar, ligue a função Super-Freeze. Para pequenas quantidades de alimentos, 4-6 horas são suficientes.
- Os alimentos quentes devem ser arrefecidos até à temperatura ambiente antes de serem armazenados no congelador.
- Alimentos cortados em pequenas porções irão congelar mais depressa e serão mais fáceis de descongelar e cozinhar. O peso recomendado para cada porção é inferior a 2,5 kg



- É melhor embalar os alimentos antes de os colocar no congelador. O exterior da embalagem deve estar seco para evitar que os sacos se colem uns aos outros. Os materiais de embalagem devem estar isentos de odores, serem herméticos, não serem venenosos nem tóxicos.
- Para evitar a expiração dos períodos de conservação, tome nota da data de congelamento, do prazo e o nome dos alimentos na embalagem, de acordo com os períodos de armazenamento dos diferentes alimentos.



AVISO!

- ▶ Ácido, alcalino e sal, etc. podem erodir a superfície interna do congelador.
- ▶ Não coloque alimentos com estas substâncias (p.ex. peixe de mar) diretamente na superfície interna. A água salgada no congelador deve ser limpa imediatamente.
- ▶ Não exceda o tempo de armazenamento de alimentos recomendado pelos fabricantes. Retire apenas a quantidade necessária de alimentos do congelador.
- ▶ Consuma os alimentos descongelados rapidamente. Os alimentos descongelados não podem ser congelados novamente, a menos que sejam primeiro cozinhados.
- ▶ Não coloque quantidades excessivas de alimentos frescos no congelador. Consulte a capacidade de congelação do congelador - Ver DADOS TÉCNICOS ou dados na placa do tipo.
- ▶ Os alimentos podem ser armazenados no congelador a uma temperatura mínima de -18°C durante 2 a 12 meses, dependendo das suas propriedades (por exemplo, carne: 3-12 meses, legumes: 6-12 meses)
- ▶ Quando congelar alimentos frescos, evite pô-los em contato com alimentos já congelados. Risco de descongelamento!

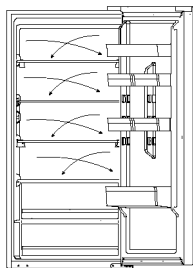
Ao armazenar alimentos congelados comercialmente, siga estas diretrizes:

- Siga sempre as diretrizes dos fabricantes relativas ao período de tempo que deve armazenar alimentos. Não exceda estas diretrizes!
- Tente manter o tempo entre a compra e o armazenamento o mais curto possível para preservar a qualidade dos alimentos.
- Compre alimentos congelados que tenham sido armazenados a uma temperatura igual ou inferior a -18°C .
- Evite comprar alimentos com gelo ou gelo na embalagem - Isto indica que os produtos podem ter sido parcialmente descongelados e congelados em algum momento - a temperatura afeta a qualidade dos alimentos.



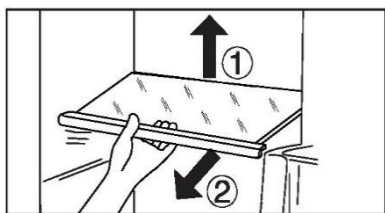
i AVISO

Devido a diferentes modelos, o seu produto pode não ter todas as seguintes características. Consulte o capítulo Descrição do Produto.!



Fluxo de ar múltiplo

O frigorífico está equipado com um sistema de fluxo de ar múltiplo que oferece fluxos de ar frio em cada nível de prateleira. Isso ajuda a manter uma temperatura uniforme para garantir que a sua comida é mantida mais fresca durante mais tempo.



Prateleira ajustável

1. A altura das prateleiras pode ser ajustada para se adaptar às suas necessidades de armazenamento.
2. Para transferir uma prateleira, remova-a primeiro levantando a sua extremidade traseira ① e puxando-a para fora ②.
3. Para a reinstalar, coloque-a sobre as patilhas dos dois lados e empurre-a para a posição mais para trás até que a parte traseira da prateleira fique fixa no interior das ranhuras nos lados

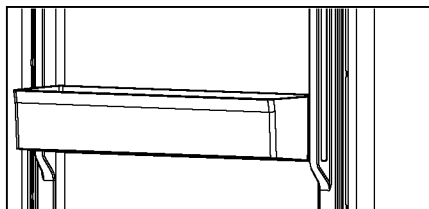
i AVISO

Certifique-se de que todas as extremidades de uma prateleira estão niveladas.

Prateleira da porta removível

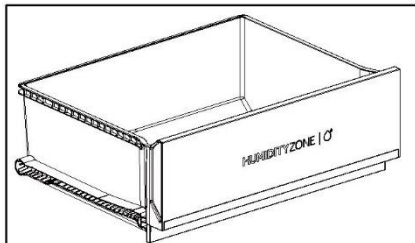
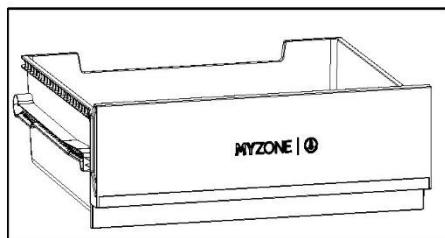
A prateleira da porta pode ser removida para limpeza:

Coloque as mãos de cada lado da prateleira, levante-a para cima (1) e puxe-a para fora (2). Para inserir a prateleira da porta, deve executar os passos acima pela ordem inversa



Gaveta My Zone

Para usar e configurar o compartimento My Zone, por favor verifique a secção USE (My Zone).



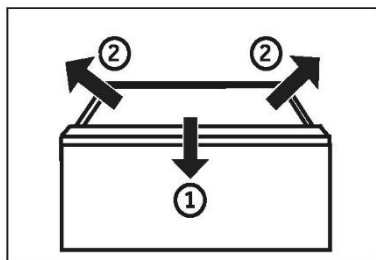
Gaveta Humidity Zone

Neste compartimento, o nível de humidade é controlado automaticamente pelo sistema e é adequado para armazenar frutas, legumes, saladas, etc.

Gaveta amovível

Para retirar a gaveta do compartimento do frigorífico ou do congelador, puxar ao máximo (1), levantar e retirar (2).

Para inserir a gaveta, os passos acima são executados em ordem inversa.



Gaveta do congelador

A gaveta do congelador pode ser estendida a direito e completamente. Estão montadas num carril telescópico que desliza facilmente. Para que possa armazenar e remover os alimentos congelados confortavelmente. Graças ao mecanismo de fecho automático da porta, o manuseamento é fácil e consegue poupar energia.

**AVISO!**

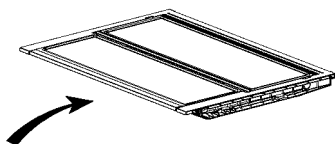
Não sobrecarregue as gavetas: Carga máxima de cada gaveta: 35 kg!

A Luz

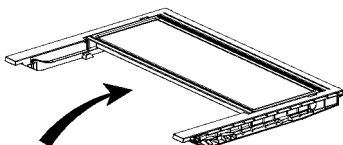
A luz interior LED acende-se quando a porta é aberta. O desempenho das luzes não é afetado por nenhuma das outras definições de aparelhos.

Prateleira dobrável

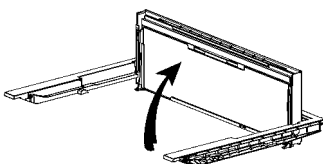
A prateleira dobrável permite ao utilizador colocar garrafas ou itens altos nas prateleiras. A prateleira pode ser dobrada na parte traseira e o espaço disponível da prateleira inferior será maior. A prateleira pode ser dobrada de acordo com o Passo 1-3. Se quiser retornar ao local original, inverta os seguintes procedimentos.



Passo 1: Empurre a dianteira da prateleira lentamente até ao fim.



Passo 2: Empurre a prateleira para cima lentamente até à sua posição vertical.



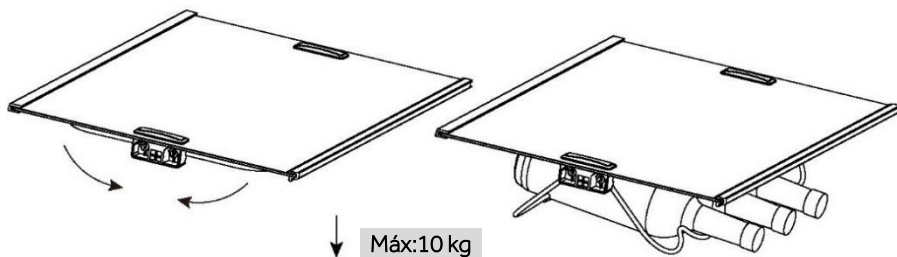
Passo 3: A prateleira fica na vertical. Vai dar mais espaço.

Suporte para vinhos dobrável

Para utilização normal

1. Puxe para baixo os apoios do suporte para vinhos
2. Encaixe as garrafas dentro do suporte

Quando não estiver a usar, o suporte para vinhos pode ser dobrado para trás para poupar espaço.





Dicas de poupança de energia

- ▶ Certifique-se de que o aparelho está devidamente ventilado (ver INSTALAÇÃO).
- ▶ Não instale o aparelho sob luz solar direta ou na proximidade de fontes de calor (por ex., fogões, aquecedores).
- ▶ Evite temperaturas desnecessariamente baixas no aparelho. O consumo de energia aumenta com a diminuição da temperatura de ajuste no aparelho.
- ▶ As funções como SUPER FREEZE consomem mais energia.
- ▶ Deixe os alimentos arrefecer antes de os colocar no aparelho.
- ▶ Abra a porta do aparelho o mínimo e tão brevemente quanto possível.
- ▶ Não encha demasiado o aparelho para evitar obstruir o fluxo de ar.
- ▶ Evite ar dentro das embalagens de alimentos.
- ▶ Mantenha os vedantes da porta limpos para que a porta feche sempre corretamente.
- ▶ Descongele alimentos congelados no compartimento de armazenamento do frigorífico ou utilize a função D-Frost na gaveta My Zone
- ▶ A configuração mais economizadora de energia implica que a gaveta, caixa de alimentos e prateleiras estejam posicionadas no aparelho tal como vêm de fábrica, e que os alimentos sejam colocados sem bloquear a saída de ar das condutas.



AVISO!

Limpeza

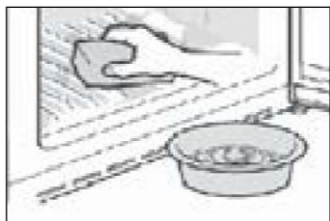
Limpe o aparelho quando apenas tiver armazenado pouca ou nenhuma comida.

O aparelho deve ser limpo a cada quatro semanas para uma boa manutenção e para evitar maus odores de alimentos armazenados.



AVISO!

- ▶ Não limpe o aparelho com escovas duras, escovas de arame, detergente em pó, gasolina, acetato de amilo, acetona e soluções orgânicas semelhantes, soluções ácidas ou alcalinas. Limpe com detergente especial do frigorífico para evitar danos.
- ▶ Não pulverize ou lave o aparelho durante a limpeza.
- ▶ Não use spray de água ou vapor para limpar o aparelho.
- ▶ Não lave prateleiras de vidro frias com água quente. A mudança súbita de temperatura pode fazer com que o vidro se quebre.
- ▶ Não toque na superfície interna do compartimento do congelador, especialmente com as mãos molhadas, pois as mãos podem congelar na superfície.
- ▶ No caso de aquecimento, verificar a condição das mercadorias congeladas.



- ▶ Mantenha a junta de vedação da porta sempre limpa.
- ▶ Limpe o interior e a caixa do aparelho com uma esponja molhada em água morna e detergente neutro.
- ▶ 1. Esfregue o interior e o exterior do frigorífico, incluindo junta do vedante da porta, prateleira da porta, prateleiras de vidro, caixas e assim por diante, com uma toalha macia ou esponja embebida em água morna (pode adicionar-se detergente neutro).
- ▶ 2. Se houver líquido derramado, remova todas as partes contaminadas, lave-as diretamente com água corrente, seque e coloque novamente no frigorífico.
- ▶ 3. Se houver derramamento de produtos cremosos (como natas, gelado derretido), remova todas as peças contaminadas, coloque-as em água morna a cerca de 40 °C durante algum tempo, passe por água corrente, seque e volte a colocar no frigorífico.
- ▶ 4. Caso alguma peça ou componente pequeno entre no interior do frigorífico (entre as prateleiras ou gavetas), use uma pequena escova macia para a liberar. Se não conseguir alcançar a peça, entre em contato com a assistência da Haier



- ▶ Enxague e seque com um pano macio.
- ▶ Não limpe nenhuma das peças do aparelho numa máquina de lavar loiça.
- ▶ Deixe passar pelo menos 5 minutos antes de voltar a ligar o aparelho pois o arranque frequente pode danificar o compressor.

Descongelamento

O descongelamento do compartimento do frigorífico e do congelador é feito automaticamente; não é necessária qualquer operação manual.

Substituir as lâmpadas LED



AVISO!

Não substitua a luz LED sozinho, esta apenas deve ser substituída pelo fabricante ou por um agente de serviço autorizado.

A lâmpada é do tipo LED com um baixo consumo de energia e longa vida útil. Se houver alguma anomalia, entre em contacto com a assistência ao cliente. Consultar a ASSISTÊNCIA AO CLIENTE.

Parâmetros das lâmpadas:

Parte	Lâmpada LED
Tensão	12V
Potência máx.	1.5W
Especif. LED	Branco-2835
Classe de eficiência de LED	G
Temperatura de utilização	-40~80°C

Não utilizar durante um período prolongado

Se o aparelho não for utilizado durante um período de tempo prolongado e caso não tenha utilizado a função Holiday para o frigorífico:

Retire os alimentos.

Desligue o cabo de alimentação.

Limpe o aparelho conforme descrito acima.

Mantenha as portas abertas para evitar a criação de maus odores no interior.



AVISO

Desligue o aparelho apenas se estritamente necessário.

Juntas de porta auxiliares amovíveis

Existem seis juntas de porta auxiliares nas gavetas superiores e inferiores do congelador.

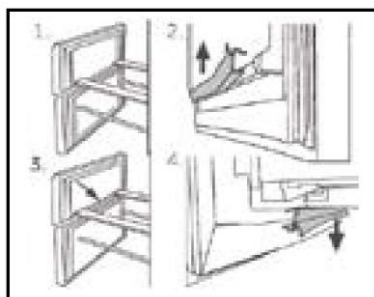
1. Localize as cinco juntas de porta indicadas nas gavetas superiores e inferiores do congelador.

2. Certifique-se de que as partes dobradas das juntas ficam voltadas para dentro ao prender.

3. Localize a junta inferior da gaveta superior conforme indicado.

4. Certifique-se de que a parte dobrada desta junta aponta para baixo ao prender.

Pode obter essas juntas, bem como as juntas rotativas da porta/gaveta através do serviço de atendimento ao cliente (ver cartão de garantia).



Mover o aparelho

1. Remova todos os alimentos e desligue o aparelho.
2. Fixe as prateleiras e outras peças móveis no frigorífico e no congelador com fita adesiva.
3. Não incline o frigorífico mais de 45° para evitar danificar o sistema de refrigeração.



AVISO!

- ▶ Não levante o aparelho pelas suas pernas.
- ▶ Nunca coloque o aparelho na horizontal no chão.



Muitos problemas que ocorrem podem ser resolvidos por si mesmo sem experiência específica. Em caso de problema, por favor verifique todas as possibilidades apresentadas e siga as instruções abaixo antes de contactar um serviço pós-venda. Consultar a ASSISTÊNCIA AO CLIENTE.



AVISO!

- ▶ Antes da manutenção, desative o aparelho e desligue a ficha da tomada.
- ▶ Os equipamentos elétricos devem ser reparados apenas por eletricistas qualificados, uma vez que reparações inadequadas podem causar danos consequenciais consideráveis.
- ▶ Se o cabo de alimentação estiver danificado, este apenas pode ser substituído pelo fabricante, pelo agente de serviço ou por pessoas igualmente qualificadas de forma a evitar o perigo.

Tabela de resolução de problemas

Problema	Causa possível	Possível solução
O compressor não funciona.	A ficha de alimentação não está ligada na tomada de alimentação.	Conecte a ficha principal.
	O aparelho está no ciclo de descongelação.	Isto é normal para um descongelamento automático.
O aparelho funciona frequentemente ou funciona por um período de tempo demasiado longo.	A temperatura interior ou exterior é muito alta.	Neste caso, é normal que o aparelho funcione mais tempo.
	O aparelho foi desligado da alimentação por um período de tempo.	Normalmente, demora 8 a 12 horas até o aparelho arrefecer completamente.
	Uma porta/gaveta do aparelho não está bem fechada.	Feche a porta/gaveta e certifique-se de que o aparelho está colocado num piso plano e de que não existe qualquer alimento ou recipiente a obstruir a porta.
	A porta/gaveta foi aberta com muita frequência ou durante muito tempo.	Não abra a porta/gaveta com muita frequência.
	A temperatura regulada para o congelador é muito baixa.	Regule uma temperatura mais elevada até obter uma temperatura satisfatória do frigorífico. Demora 24 horas até a temperatura do frigorífico se tornar estável.
	A junta de vedação da porta/gaveta está suja, gasta, fissurada ou não é adequada.	Limpe a junta da porta/gaveta ou peça à assistência ao cliente que a substitua.
O interior do frigorífico está sujo e/ou com cheiro.	A circulação de ar necessária não é garantida.	Assegure uma ventilação adequada.
	O interior do frigorífico precisa de ser limpo.	Limpe o interior do frigorífico.
	Alimentos com forte odor estão armazenados no frigorífico.	Embrulhe os alimentos completamente.

Problema	Causa possível	Possível solução
Não está frio o suficiente dentro do aparelho.	A temperatura definida é demasiado alta.	Volte a regular a temperatura
	Alimentos muito quentes foram armazenados.	Arrefeça sempre os alimentos antes de os guardar.
	Foram armazenados demasiados alimentos de uma vez.	Guarde sempre pequenas quantidades de alimentos.
	Os alimentos estão demasiado próximos uns dos outros.	Deixe um intervalo entre os vários alimentos permitindo o fluxo de ar.
	Uma porta/gaveta do aparelho não está bem fechada.	Feche a porta/gaveta.
Está demasiado frio no interior do aparelho.	A temperatura é demasiado baixa.	Repor a temperatura.
	A função Super Freeze está ativada ou está a funcionar há demasiado tempo.	Desligue a função Super Freeze.
Formação de humidade no interior do compartimento do frigorífico.	O clima é demasiado quente e demasiado húmido.	Aumente a temperatura.
	Uma porta/gaveta do aparelho não está bem fechada.	Feche a porta/gaveta.
	A porta/gaveta foi aberta com muita frequência ou durante muito tempo.	Não abra a porta/gaveta com muita frequência.
	Recipientes para alimentos ou líquidos foram deixados abertos.	Deixe os alimentos quentes arrefecerem até à temperatura ambiente e cubra os alimentos e líquidos.
A humidade acumula-se nos frigoríficos fora da superfície ou entre as portas/porta e gaveta.	O clima é demasiado quente e demasiado húmido.	Isso é normal num clima húmido e mudará quando a humidade diminuir.
	A porta/gaveta não está totalmente fechada.	Certifique-se de que a porta/gaveta está bem fechada.
Gelo forte e geada no compartimento do congelador.	Os alimentos não foram devidamente embalados.	Embale sempre os alimentos.
	A porta/gaveta foi aberta com muita frequência ou durante muito tempo.	Não abra a porta/gaveta com muita frequência.
	A junta de vedação da porta/gaveta está suja, gasta, fissurada ou não é adequada.	Limpe a junta de vedação da porta/gaveta ou substitua por novas.
	Algo no interior está a impedir que a porta/gaveta feche corretamente.	Reposicione as prateleiras, prateleiras das portas ou recipientes internos para permitir que a porta/gaveta feche.



Problema	Causa possível	Possível solução
O aparelho faz ruídos fora do normal.	O aparelho não está colocado sobre um piso nivelado.	Ajuste os pés para nivelar o aparelho.
	O aparelho toca em algum objeto em seu redor.	Remova objetos em redor do aparelho.
Deve ouvir-se um som leve semelhante ao de água a correr.	Isto é normal.	/
Irá ouvir um sinal sonoro de alarme.	A porta do frigorífico está aberta.	Feche a porta ou silencie o alarme manualmente.
Irá ouvir um som abafado.	O sistema anti condensação está a funcionar.	Isto impede a condensação e é normal.
O sistema de iluminação interior ou de arrefecimento não funciona.	A ficha de alimentação não está ligada na tomada de alimentação	Conecte a ficha principal.
	A rede elétrica não está intacta.	Verifique a alimentação elétrica da divisão. Ligue para a companhia de eletricidade local!
	A lâmpada LED está avariada.	Por favor, ligue para a assistência para substituir a lâmpada.
Os lados do armário e a tira da porta ficam quentes.	Isto é normal.	/
Não está a sair água do bico dispensador de água	O trinco não está desativado.	Para desativar o trinco



Falha de energia

- ▶ Em caso de falha de energia, os alimentos permanecem arrefecidos de forma segura durante cerca de 13 horas. Siga estas dicas durante uma falha de energia prolongada, especialmente no verão.
- ▶ Não coloque mais alimentos no aparelho durante uma falha de energia.
- ▶ Se for dada uma notificação prévia de interrupção da energia e a duração da interrupção for superior a 13 horas, faça alguns cubos de gelo e coloque-os num recipiente na prateleira superior do compartimento do frigorífico.
- ▶ É necessária uma inspeção dos alimentos imediatamente após a interrupção.
- ▶ Como a temperatura no frigorífico irá subir durante uma interrupção da energia ou outra falha, o período de armazenamento e a qualidade dos alimentos serão reduzidos. Qualquer alimento que descongele deve ser consumido, cozido e novamente congelado (se for caso disso) imediatamente, a fim de evitar riscos para a saúde.



AVISO

Função de memória durante a falha de energia

Depois de restabelecida a energia elétrica, o aparelho continua com as definições feitas antes da falha de energia.

Para contactar a assistência técnica, consulte o nosso website:

<https://corporate.haier-europe.com/en/>

Na seção "website", escolha a marca do seu produto e o seu país. Será redirecionado para o website específico onde pode encontrar o número de telefone e outras formas de contactar a assistência técnica.

Desembalar



AVISO!

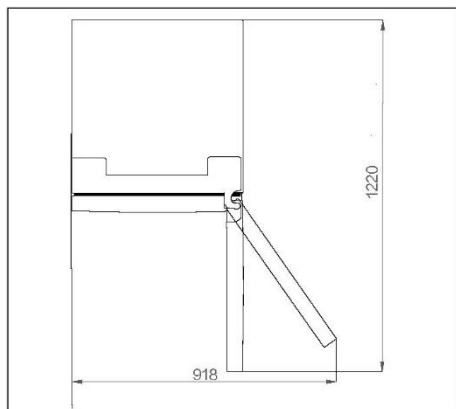
- ▶ O aparelho é pesado. Deve ser manuseado sempre por, pelo menos, duas pessoas.
- ▶ Mantenha todos os materiais de embalagem fora do alcance das crianças e elimine-os de forma ecológica.
- ▶ Retire o aparelho da embalagem.
- ▶ Remova todos os materiais de embalagem.

Condições ambientais

A temperatura ambiente deve estar sempre entre 10 °C e 43 °C, uma vez que pode influenciar a temperatura no interior do aparelho e o seu consumo de energia. Não instale o aparelho perto de outros aparelhos emissores de calor (fornos, frigoríficos) sem isolamento.

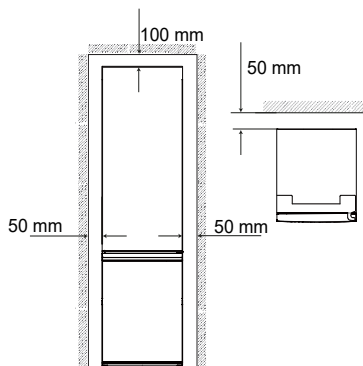
Recomendação de espaço

Espaço recomendado quando a porta é aberta.



Ventilação transversal

Para alcançar uma ventilação suficiente do aparelho por razões de segurança, recomendamos observar as orientações de recomendação de espaço

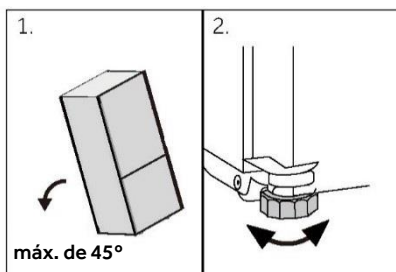


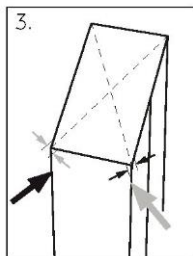
Alinhar o aparelho

O aparelho deve ser colocado sobre uma superfície plana e sólida.

1. Incline o frigorífico ligeiramente para trás.
2. Coloque os pés na altura desejada.

Certifique-se de que a distância à parede do lado da dobradiça é de, pelo menos, 100 mm para que a porta se abra corretamente.

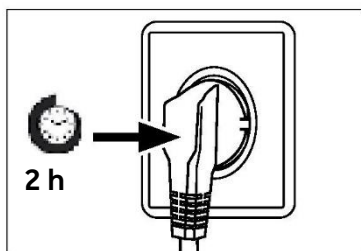




1. A estabilidade pode ser verificada empurrando alternadamente as diagonais. Uma ligeira oscilação deve ser a mesma em ambas as direções. Caso contrário, a estrutura pode empenar; a consequência pode ser fugas dos vedantes da porta. Uma leve inclinação para a traseira facilita o fecho das portas.

AVISO

Para um aparelho independente: este frigorífico não se destina a ser utilizado como eletrodoméstico de encastrar



Tempo de espera

O óleo de lubrificação sem manutenção está localizado na cápsula do compressor. Este óleo pode atravessar o sistema de tubagem fechada durante o transporte inclinado. Antes de ligar o aparelho à rede elétrica, tem de esperar pelo menos 2 horas para que o óleo volte à cápsula.

Ligação elétrica

Antes de cada conexão verificar se:

- ▶ a rede elétrica, tomada e fusíveis são adequados à placa de classificação.
- ▶ a tomada de alimentação está ligada à terra sem fichas múltiplas nem extensão.
- ▶ a ficha de alimentação e a tomada estão de acordo com as especificações.

Ligue a ficha a uma tomada doméstica instalada corretamente.

AVISO!

Para evitar riscos, um cabo de alimentação danificado deve ser substituído pela assistência ao cliente (ver cartão de garantia).



Reversibilidade da porta

Antes de ligar o aparelho à rede elétrica, deve verificar se a rotação da porta deve ser mudada da direita (como fornecida) para a esquerda, se tal for exigido pelo local de instalação e pela usabilidade.

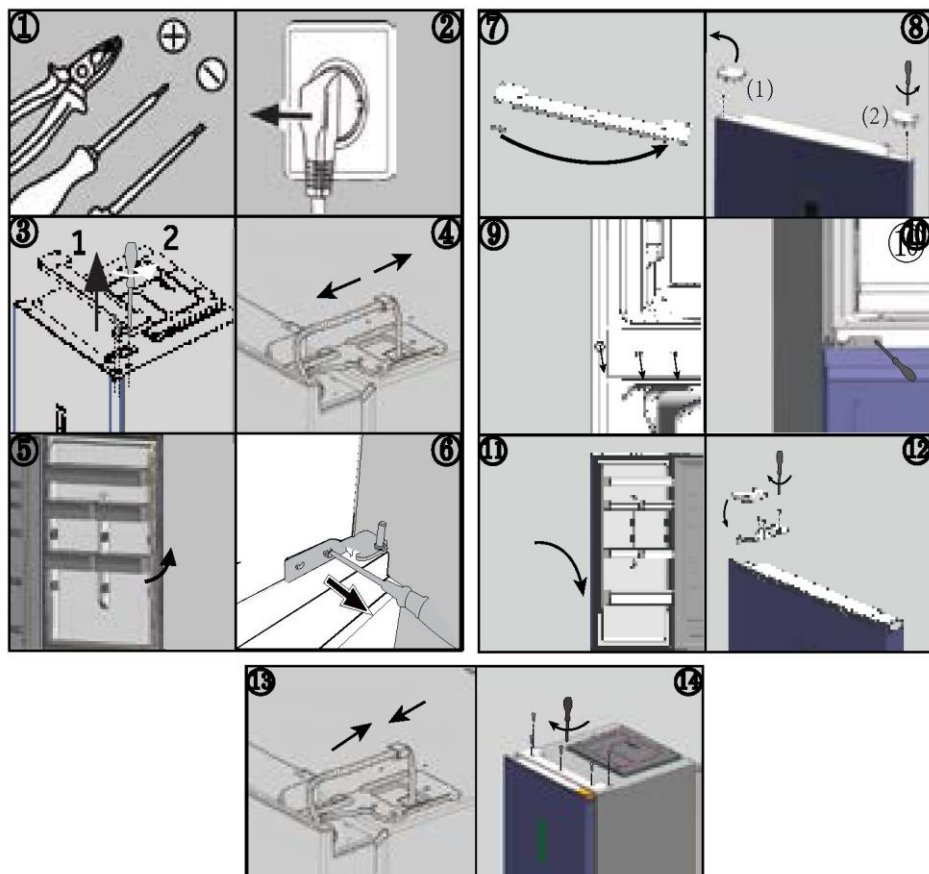


AVISO!

- ▶ O aparelho é pesado. Precisa de duas pessoas para reverter o sentido de abertura da porta.
- ▶ Antes de qualquer operação, desligue primeiro o aparelho da rede elétrica
- ▶ Não incline o aparelho mais de 45 ° para evitar danos ao sistema de refrigeração.

Passos de montagem

1. Arranje a ferramenta necessária.
 2. Desligue o aparelho.
 3. Remova a tampa da dobradiça superior 1 e desenrosque a dobradiça superior (três parafusos) no lado direito 2.
 4. Desligue o cabo de conexão
 5. Levante a porta do frigorífico cuidadosamente para fora da dobradiça intermédia.
 6. Remova a dobradiça do meio.
 7. Retire a pequena tampa do painel frontal do lado esquerdo para o lado direito.
 8. Vire a porta de cabeça para baixo e desaperte a tampa (1). Retire a nova tampa (2) do saco necessário e aparafuse-a no lado oposto.
 9. Altere as posições das buchas de espaçamento e o parafuso no lado.
 10. Aparafuse a dobradiça média no lado esquerdo do aparelho. Tenha em atenção a inversão do pivot da dobradiça central, assegurando que o lado com a junta está virado para cima
 11. Levante cuidadosamente a porta superior na dobradiça média. E certifique-se de que o pivô encaixa no cilindro da dobradiça da porta inferior
 12. Tire a nova dobradiça superior e a tampa da dobradiça do saco de acessórios. Coloque o cabo de conexão através da dobradiça superior e fixe a dobradiça superior com três parafusos no lado esquerdo do aparelho. E coloque a tampa da dobradiça sobre a dobradiça.
 13. Conecte o cabo de conexão.
 14. Substitua o painel frontal e fixe-o com cinco parafusos.
- Após a mudança da porta, verifique se os vedantes da porta estão corretamente colocados na estrutura e todos os parafusos são bem apertados.



Temperaturas ambiente

Temperado alargado: 'este aparelho de refrigeração destina-se a ser utilizado a uma temperatura ambiente entre 10 °C e 32 °C

Temperado: este aparelho de refrigeração destina-se a ser utilizado a uma temperatura ambiente entre 16 °C e 32 °C;

Subtropical: este aparelho de refrigeração destina-se a ser utilizado a uma temperatura ambiente entre 16 °C e 38 °C;

Tropical: este aparelho de refrigeração destina-se a ser utilizado a uma temperatura ambiente entre 16 °C e 43 °C.



Parâmetros do produto de acordo com o regulamento (UE) 2019/2016

Baseado nos resultados do teste padrão durante 24 horas. O consumo de energia real irá depender da forma como o aparelho é usado e onde está localizado

Modelo	HTW5618DN*	HTW5620DN*	HTW5618EN*
Tipo de aparelho de refrigeração	Frigorífico-congelador	Frigorífico-congelador	Frigorífico-congelador
Classe de eficiência energética	D	D	E
Consumo anual de energia (kWh/ano)	217	226	271
Volume do compartimento do frigorífico (L)	201	255	201
Volume do compartimento do congelador (L)	125	125	125
Volume do compartimento de refrigeração (L)	34	34	34
Classe de congelação	4 estrelas	4 estrelas	4 estrelas
Tipo de descongelação	Descongelação automática	Descongelação automática	Descongelação automática
Tempo de subida da temperatura (h)	13	13	11
Capacidade de congelação (kg/24h)	10.0	10.0	10.0
Classe climática	SN.N.ST.T	SN.N.ST.T	SN.N.ST.T
Classe de emissão de ruído e emissões de ruído aéreo (dB(A) re 1 pW)	B(35)	B(35)	B(35)



Modelo	HTW5618CN*	HTW5620CN*	HTW5620EN*
Tipo de aparelho de refrigeração	Frigorífico-congelador	Frigorífico-congelador	Frigorífico-congelador
Classe de eficiência energética	C	C	E
Consumo anual de energia (kWh/ano)	173	181	283
Volume do compartimento do frigorífico (L)	201	255	255
Volume do compartimento do congelador (L)	125	125	125
Volume do compartimento de refrigeração (L)	34	34	34
Classe de congelação	4 estrelas	4 estrelas	4 estrelas
Tipo de descongelação	Descongelação automática	Descongelação automática	Descongelação automática
Tempo de subida da temperatura (h)	13	13	11
Capacidade de congelação (kg/24h)	10.0	10.0	10.0
Classe climática	SN.N.ST.T	SN.N.ST.T	SN.N.ST.T
Classe de emissão de ruído e emissões de ruído aéreo (dB(A) re 1 pW)	B(35)	B(35)	B(35)



Modelo	HDPW5618DN*	HDPW5620DN*	HDPW3620DN*
Tipo de aparelho de refrigeração	Frigorífico-congelador	Frigorífico-congelador	Frigorífico-congelador
Classe de eficiência energética	D	D	D
Consumo anual de energia (kWh/ano)	214	220	220
Volume do compartimento do frigorífico (L)	201	255	255
Volume do compartimento do congelador (L)	117	117	117
Volume do compartimento de refrigeração (L)	34	34	34
Classe de congelação	4 estrelas	4 estrelas	4 estrelas
Tipo de descongelação	Descongelação automática	Descongelação automática	Descongelação automática
Tempo de subida da temperatura (h)	13	13	11
Capacidade de congelação (kg/24h)	10.0	10.0	10.0
Classe climática	SN.N.ST.T	SN.N.ST.T	SN.N.ST.T
Classe de emissão de ruído e emissões de ruído aéreo (dB(A) re 1 pW)	B(35)	B(35)	B(35)



Modelo	HDPW3618DN*	HDPW3620CN*	HTW3620DN*
Tipo de aparelho de refrigeração	Frigorífico-congelador	Frigorífico-congelador	Frigorífico-congelador
Classe de eficiência energética	D	C	D
Consumo anual de energia (kWh/ano)	214	176	226
Volume do compartimento do frigorífico (L)	201	255	255
Volume do compartimento do congelador (L)	117	117	125
Volume do compartimento de refrigeração (L)	34	34	34
Classe de congelação	4 estrelas	4 estrelas	4 estrelas
Tipo de descongelação	Descongelação automática	Descongelação automática	Descongelação automática
Tempo de subida da temperatura (h)	13	13	13
Capacidade de congelação (kg/24h)	10.0	10.0	10.0
Classe climática	SN.N.ST.T	SN.N.ST.T	SN.N.ST.T
Classe de emissão de ruído e emissões de ruído aéreo (dB(A) re 1 pW)	B(35)	B(35)	B(35)



Modelo	HDPW5618CN*	HDPW5620CN*	HDPW5620AN*
Tipo de aparelho de refrigeração	Frigorífico-congelador	Frigorífico-congelador	Frigorífico-congelador
Classe de eficiência energética	C	C	A
Consumo anual de energia (kWh/ano)	171	176	114
Volume do compartimento do frigorífico (L)	201	255	255
Volume do compartimento do congelador (L)	117	117	120
Volume do compartimento de refrigeração (L)	34	34	34
Classe de congelação	4 estrelas	4 estrelas	4 estrelas
Tipo de descongelação	Descongelação automática	Descongelação automática	Descongelação automática
Tempo de subida da temperatura (h)	13	13	16
Capacidade de congelação (kg/24h)	10.0	10.0	10.0
Classe climática	SN.N.ST.T	SN.N.ST.T	SN.N.ST.T
Classe de emissão de ruído e emissões de ruído aéreo (dB(A) re 1 pW)	B(35)	B(35)	B(35)



Dados técnicos adicionais

Modelo	HTW5618DN*	HTW5618EN*	HTW5620DN*
Volume total(L)	360	360	414
Tensão/Frequência	220-240V/50Hz	220-240V/50Hz	220-240V/50Hz
Corrente de entrada (A)	1.4	1.4	1.4
Fusível principal (A)	16	16	16
Fluido refrigerante	R600a(53g)	R600a(53g)	R600a(53g)
Dimensões (L/P/A em mm)	595*667*1850	595*667*1850	595*667*2050

Modelo	HTW5618CN*	HTW5620CN*	HTW5620EN*
Volume total(L)	360	414	414
Tensão/Frequência	220~240V/50Hz	220~240V/50Hz	220~240V/50Hz
Corrente de entrada (A)	1.4	1.4	1.4
Fusível principal (A)	15	15	16
Fluido refrigerante	R600a(50g)	R600a(50g)	R600a(53g)
Dimensões (L/P/A em mm)	595*667*1850	595*667*2050	595*667*2050



Modelo	HDPW5618DN*	HDPW5620DN*	HDPW3620DN*
Volume total(L)	352	406	406
Tensão/Frequência	220~240V/50Hz	220~240V/50Hz	220~240V/50Hz
Corrente de entrada (A)	1.4	1.4	1.4
Fusível principal (A)	16	16	16
Fluido refrigerante	R600a(53g)	R600a(53g)	R600a(53g)
Dimensões (L/P/A em mm)	595*667*1850	595*667*2050	595*667*2050

Modelo	HDPW5618CN*	HDPW5620CN*	HDPW5620AN*
Volume total(L)	352	406	409
Tensão/Frequência	220~240V/50Hz	220~240V/50Hz	220~240V/50Hz
Corrente de entrada (A)	1.4	1.4	1.4
Fusível principal (A)	15	15	15
Fluido refrigerante	R600a(50g)	R600a(50g)	R600a(50g)
Dimensões (L/P/A em mm)	595*667*1850	595*667*2050	595*667*2050



Modelo	HDPW5618CN*	HDPW5620CN*	HDPW5620AN*
Volume total(L)	352	406	409
Tensão/Frequência	220~240V/50Hz	220~240V/50Hz	220~240V/50Hz
Corrente de entrada (A)	1.4	1.4	1.4
Fusível principal (A)	15	15	16
Fluido refrigerante	R600a(50g)	R600a(50g)	R600a(50g)
Dimensões (L/P/A em mm)	595*667*1850	595*667*2050	595*667*2050



Recomendamos o nosso Serviço de Assistência ao Cliente da Haier e a utilização de peça sobressalentes originais.

Se tiver algum problema com o seu aparelho, consulte primeiro a secção RESOLUÇÃO DE PROBLEMAS.

Se não conseguir encontrar uma solução nesta secção, entre em contacto

- ▶ com o seu revendedor local ou
- ▶ o nosso Serviço de Assistência Europeu (veja números de telefone listados abaixo) ou
- ▶ a área de Serviço e Suporte em www.haier.com onde pode ativar a reclamação de serviço
- ▶ e também encontrar FAQs.

Para contactar a nossa Assistência, certifique-se de que tem os seguintes dados disponíveis.

As informações encontram-se na placa de classificação.

Modelo _____

N.º de série _____

Verifique também o cartão de garantia fornecido com o produto em caso de garantia.

Centro de Assistência Europeu		
País*	Número de telefone	Custos
Haier Italy (IT)	199 100 912	
Haier Spain (ES)	902 509 123	
Haier Germany (DE)	0180 5 39 39 99	<ul style="list-style-type: none"> • 14 CT/Min telefone fixo • Max 42 Ct/Min móvel
Haier Austria (AT)	0820 001 205	<ul style="list-style-type: none"> • 14,53 CT/Min telefone fixo • máx. 20 Ct/Min todos os outros
Haier United Kingdom (UK)	0333 003 8122	
Haier France (FR)	0980 406 409	



* Para outros países, consulte www.haier.com

Haier Europe Trading S.r.l

Branch UK

Westgate House, Westgate, Ealing

London, W5 1YY

*Duração da garantia do aparelho de refrigeração:

A garantia mínima é: 2 anos para os países da UE, 3 anos para a Turquia, 1 ano para o Reino Unido, 1 ano para a Rússia, 3 anos para a Suécia, 2 anos para a Sérvia, 5 anos para a Noruega, 1 ano para Marrocos, 6 meses para a Argélia, Tunísia nenhuma garantia legal necessária.

*O período de peças sobressalentes para a reparação do aparelho:

Termostatos, sensores de temperatura, placas de circuitos impressos e fontes de luz estão disponíveis durante um período mínimo de sete anos após a colocação da última unidade do modelo no mercado.

Puxadores da porta, dobradiças da porta, bandejas e cestos durante um período mínimo de sete anos e juntas da porta durante um período mínimo de 10 anos, depois de colocada a última unidade do modelo no mercado.

*Para mais informações sobre o produto, consulte <https://eprel.ec.europa.eu/> ou digitalize o código QR na etiqueta energética fornecida com o aparelho.




Haier

2023 Versão A



0060534356

<u>511 Informații de siguranță</u>	•	<u>Înainte de prima utilizare</u>	512
		<u>Instalare</u>	512
		<u>Utilizarea cotidiană</u>	513
<u>516 Utilizarea prevăzută</u>	•		
<u>517 Descrierea produsului</u>	•		
<u>521 Panoul de comenzi</u>	•		
<u>522 Utilizarea</u>	•	<u>Reglarea temperaturii frigiderului</u>	523
		<u>Ajustarea temperaturii congelatorului</u>	523
		<u>Ajustarea temperaturii My Zone</u>	523
		<u>Functia Super Cool</u>	524
		<u>Functia Super Freeze</u>	525
<u>530 Echipament</u>	•		
<u>534 Sfaturi de economisire a energiei</u>	•		
<u>535 Îngrijire și curățare</u>	•		
<u>538 Depanare</u>	•		
<u>542 Instalare</u>	•		
<u>546 Date tehnice</u>	•		
<u>552 Serviciul pentru clienți</u>	•		

 Vă rugăm să dați clic pe conținut, pentru a vedea informațiile detaliate.

Vă mulțumim că ați achiziționat un produs Haier.

Citiți cu atenție aceste instrucțiuni înainte de a utiliza acest aparat. Instrucțiunile conțin informații importante care vă vor ajuta să folosiți aparatul la capacitate maximă și să asigurați instalarea, utilizarea și întreținerea sigure și corespunzătoare.

Păstrați manualul de față la îndemână astfel încât să îl puteți consulta pentru utilizarea sigură și corectă a aparatului.

Dacă vindeți, oferiți sau lăsați aparatul în vechea locuință când vă mutați, asigurați-vă că lăsați și manualul de utilizare, astfel încât noul proprietar să se poată familiariza cu aparatul și cu avertismentele de siguranță.

Accesorii

Verificați accesoriile și documentația în conformitate cu această listă:

			
Tavă pentru ouă	Eticheta de energie	Fișa de garanție	Manualul de utilizare
			
Tavă pentru cuburi de gheață	Balamale ușă	Capac balama	Insertie capac

**AVERTISMENT - Informații importante legate de siguranță****OBSERVAȚIE - Informații și sfaturi generale****Informații legate de mediu****Eliminare**

Ajutați la protejarea mediului și sănătății omului. Puneți ambalajul în containerele corespunzătoare în vederea reciclării. Ajutați la reciclarea deșeurilor de aparate electrice și electronice. Nu aruncați electronicele marcate cu acest simbol în același loc cu deșeurile menajere. Returnați produsul la centrul local de reciclare sau contactați agenția municipală.

**AVERTIZARE!**

Risc de vătămare sau sufocare!

Agenții frigorifici și gazele trebuie eliminate profesionist. Asigurați-vă că tubulatura circuitului de agent frigorific nu este deteriorată înainte de eliminarea corespunzătoare a acesteia. Deconectați aparatul de la rețeaua de curent. Tăiați cablul de alimentare de la rețeaua de curent și eliminați-l. Scoateți tăvile și sertarele, dar și opritorul și garniturile ușii, pentru a preveni închiderea copiilor și a animalelor în aparat.



Înainte de pornirea aparatului pentru prima dată, citiți următoarele sfaturi legate de siguranță:



AVERTIZARE!

Înainte de prima utilizare

- ▶ Asigurați-vă că nu există deteriorări provocate de transport.
- ▶ Eliminați toate ambalajele și păstrați-le la distanță de copii.
- ▶ Așteptați cel puțin două ore înainte de a instala aparatul pentru a lăsa timp circuitului frigorific să devină perfect eficient.
- ▶ Manevrați întotdeauna dispozitivul cu cel puțin încă două persoane, pentru că este greu.

Instalare

- ▶ Aparatul trebuie amplasat într-un loc bine ventilat. Asigurați un spațiu de cel puțin 10 cm deasupra aparatului și în jurul acestuia.
- ▶ Nu amplasați niciodată aparatul într-o zonă cu umezeală sau într-un loc în care acesta poate fi stropit cu apă. Curățați și uscați urmele de apă și petele cu o cârpă curată, moale.
- ▶ Nu instalați aparatul în lumina directă a soarelui sau în apropierea surselor de căldură (de ex., cuptoare, radiatoare).
- ▶ Instalați și poziționați dispozitivul într-o zonă potrivită dimensiunilor și destinației sale.
- ▶ Mențineți fantele de aerisire ale aparatului sau pe cele încorporate în structură fără obstrucții.
- ▶ Asigurați-vă că informațiile electrice de pe plăcuța cu date tehnice se potrivesc cu sursa de electricitate. Dacă nu se potrivesc, contactați un electrician.
- ▶ Dispozitivul este operat de o sursă de electricitate de 220-240 V c.a./50 Hz. Fluctuațiile anormale de tensiune pot face dispozitivul să nu pornească sau pot deteriora controlul temperaturii sau compresorul sau pot provoca un zgomot anormal în timpul utilizării. În acest caz, ar trebui să fie montat un regulator automat.
- ▶ Nu utilizați adaptoare cu ștecăre multiple și prelungitoare.
- ▶ Nu amplasați prizele portabile multiple sau alimentările portabile în spatele aparatului.
- ▶ Evitați prinderea cablului de alimentare în frigider. Nu călcați pe cablul de alimentare.



AVERTIZARE!

- ▶ Folosiți o priză separată cu împământare pentru alimentarea cu energie electrică, care să fie ușor accesibilă. Aparatul trebuie legat la împământare. Doar pentru Regatul Unit: Cablul de alimentare al dispozitivului este prevăzut cu ștecăr cu 3 pini (împământare) care se potrivește cu o priză standard cu 3 găuri (împământată). Nu demontați sau nu tăiați niciodată cel de-al treilea pin (împământarea). După instalarea dispozitivului, ștecărul ar trebui să fie accesibil.
- ▶ Nu deteriorați circuitul frigorific.

Utilizarea cotidiană

- ▶ Acest aparat poate fi utilizat de către copiii cu vârste de minim 8 ani și de către persoanele cu abilități fizice, senzoriale sau mentale reduse sau cu lipsă de experiență sau cunoștințe, cu condiția să fie supravegheate sau instruite corespunzător privind modul de utilizare a acestui aparat în siguranță și să înțeleagă pericolele implicate.
- ▶ Copiii cu vârsta cuprinsă între 3 și 8 ani pot încărca și descărca aparate frigorifice, dar nu li se permite să curețe și să instaleze aparatele frigorifice.
- ▶ Țineți copiii mai mici de 3 ani la distanță de aparat, cu excepția cazului în care aceștia sunt supravegheați constant.
- ▶ Nu lăsați copiii să se joace cu aparatul.
- ▶ În cazul scurgerii gazului de răcire sau a altor gaze inflamabile în vecinătatea aparatului, închideți valva gazului care curge, deschideți ușile și ferestrele și nu deconectați niciun ștecăr al cablului de alimentare al frigiderului sau al oricărui alt aparat.
- ▶ Observați că aparatul este setat să funcționeze într-un interval de mediu specific, între 10 și 43 °C. Este posibil ca aparatul să nu funcționeze corect dacă este lăsat pentru o perioadă lungă de timp la o temperatură superioară sau inferioară intervalului indicat.
- ▶ Nu puneți articole instabile (obiecte grele, recipiente umplute cu apă) deasupra frigiderului, pentru a evita vătămarea cauzată de cădere sau de electrocutarea cauzată de contactul cu apa.
- ▶ Nu trageți de rafturile ușii. În caz contrar, ușa poate fi înclinată, raftul pentru sticle se poate desprinde sau aparatul se poate răsturna.
- ▶ Deschideți și închideți ușile numai cu ajutorul mânelor. Spațiul liber dintre uși și dintre uși și dulap este foarte îngust. Nu întindeți mâinile în zonele respective, pentru a evita ciupirea degetelor. Deschideți sau închideți ușile frigiderului numai atunci când nu se află niciun copil în raza de deplasare a ușii.



AVERTIZARE!

- ▶ Nu depozitați materiale inflamabile, explozive sau corozive în aparat sau în vecinătatea acestuia.
- ▶ Nu depozitați medicamente, bacterii sau agenți chimici în dispozitiv. Acest dispozitiv este un aparat electrocasnic. Nu este recomandat pentru depozitarea materialelor care necesită temperaturi stricte.
- ▶ Nu depozitați niciodată în congelator lichide în sticle sau doze (cu excepția băuturilor cu conținut ridicat de alcool), în special băuturi carbogazoase, deoarece acestea se vor sparge în timpul înghețării.
- ▶ Verificați starea alimentelor în cazul în care a avut loc încălzirea congelatorului.
- ▶ Nu setați o temperatură nenecesar de joasă în compartimentul frigiderului. În cazul setărilor ridicate, pot apărea temperaturi sub punctul de îngheț. Atenție: Sticlele se pot sparge
- ▶ Nu atingeți produsele înghețate cu mâinile ude (purtați mănuși). În special, nu consumați înghețată pe băț imediat după scoaterea din compartimentul congelatorului. Există riscul de îngheț sau de producere a leziunilor provocate de îngheț. PRIMUL ajutor: puneți imediat sub jet de apă rece. Nu trageți!
- ▶ Nu atingeți suprafața interioară a compartimentului de depozitare al congelatorului atunci când este în funcțiune, în special cu mâinile ude, deoarece mâinile pot îngheța pe suprafață.
- ▶ Deconectați aparatul de la energia electrică în cazul unei pene de curent sau înainte de curățare. Așteptați cel puțin 7 minute înainte de repornirea aparatului, deoarece pornirea frecventă poate deteriora compresorul.
- ▶ Nu utilizați dispozitive electrice în interiorul compartimentelor de depozitare a alimentelor ale aparatului decât dacă acestea sunt de tipul recomandat de către producător. Întreținere/curățare
- ▶ Asigurați-vă că supravegheați copiii dacă aceștia se ocupă de curățare și întreținere.
- ▶ Deconectați aparatul de la rețeaua de alimentare înainte de efectuarea întreținerii de rutină. Așteptați cel puțin 5 minute înainte de repornirea aparatului, deoarece pornirea frecventă poate deteriora compresorul.



AVERTIZARE!

- ▶ Țineți de ștecăr, nu de cablu, atunci când deconectați aparatul.
- ▶ Nu curățați aparatul cu perii aspre, cu perii de sârmă, cu detergent pulbere, benzină, acetat de amil, acetonă sau soluții organice similare, soluții acide sau alcaline. Curățați cu detergent special pentru frigider pentru a evita deteriorările.
- ▶ Nu răzuți gheața cu obiecte ascuțite. Nu folosiți pulverizatoare, dispozitive electrice de încălzire precum radiatoare, uscătoare de păr, aparate de curățat cu abur sau alte surse de căldură, pentru a evita deteriorarea pieselor din plastic.
- ▶ Nu utilizați dispozitive mecanice sau alte mijloace de a accelera procesul de decongelare, în afara celor recomandate de producător.
- ▶ În cazul în care cablul de alimentare este deteriorat, acesta trebuie înlocuit de către producător, agentul său de service sau persoane calificate similare, pentru a evita orice pericol.
- ▶ Nu încercați să reparați, să dezasamblați sau să modificați dispozitivul pe cont propriu. În cazul în care este necesară o reparație, contactați serviciul de relații cu clienții.
- ▶ Eliminați praful din spatele unității cel puțin o dată pe an, pentru a evita riscul de incendiu, dar și consumul mărit de energie.
- ▶ Nu pulverizați și nu spălați aparatul în timpul curățării.
- ▶ Nu folosiți pulverizarea cu apă sau aburi de apă în timpul curățării aparatului.
- ▶ Nu curățați rafturile reci din sticlă cu apă fierbinte. Schimbarea bruscă de temperatură poate face ca sticla să se spargă.

Informații privind gazul refrigerant



AVERTIZARE!

Aparatul conține agentul frigorific inflamabil IZOBUTAN (R600a). Asigurați-vă că circuitul frigorific nu este deteriorat în timpul transportării sau instalării. Scurgerile de agent frigorific pot cauza vătămări ale ochilor sau se pot aprinde. Dacă s-a produs o deteriorare a aparatului, țineți la distanță de sursele de flăcări deschise, ventilați bine camera, nu conectați și nu deconectați cablurile de alimentare ale aparatului sau ale oricărui alt aparat. Informați serviciul de asistență pentru clienți.

În cazul în care agentul frigorific intră în contact cu ochii, spălați imediat în jet de apă și contactați imediat un specialist oftalmolog.



Utilizarea prevăzută

Acest aparat este proiectat pentru răcirea și congelarea alimentelor. Acesta a fost conceput exclusiv pentru utilizarea în aplicații casnice și similare, precum în zona de bucătărie pentru personalul din magazine, în birouri și în alte medii de lucru; ferme și clienți din hoteluri, moteluri și alte tipuri de medii rezidențiale, precum și în pensiunile de tip bed-and-breakfast și catering. Nu este destinat utilizării comerciale sau industriale. Nu este permisă aducerea schimbărilor sau modificărilor dispozitivului. Utilizarea necorespunzătoare poate duce la apariția pericolelor și la pierderea garanției.

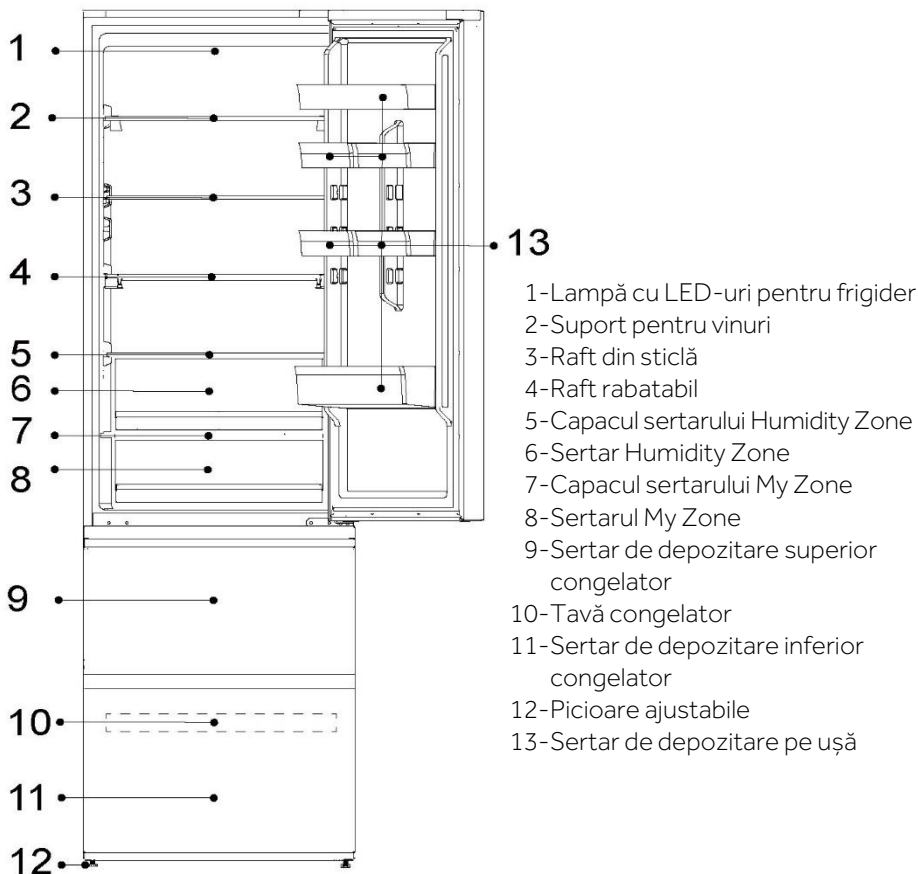
Standarde și directive **CE**

Acest produs respectă cerințele tuturor directivelor CE aplicabile, cu standardele corespondente armonizate, care asigură marcajul CE.

i OBSERVAȚIE

Ca urmare a modificărilor tehnice și a diferitelor modele, unele ilustrații din acest manual pot diferi de modelul dvs.

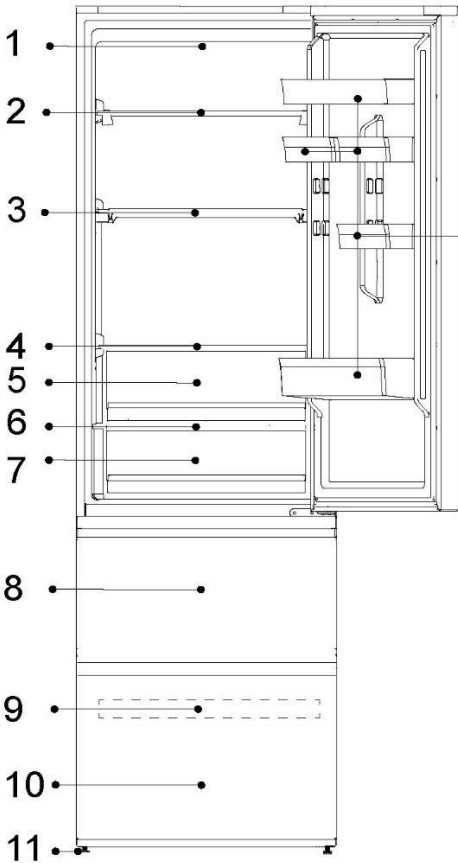
(HTW5620EN*, HTW5620DN*, HTW5620CN*)



i OBSERVAȚIE

Ca urmare a modificărilor tehnice și a diferitelor modele, unele ilustrații din acest manual pot diferi de modelul dvs.

(HTW5618DN*, HTW5618CN*, HTW5618EN*)

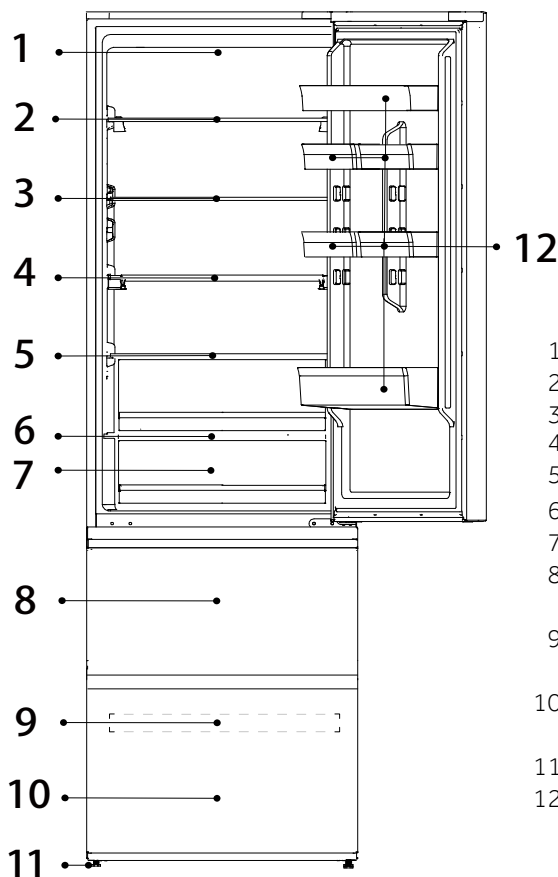


- 1-Lampă cu LED-uri pentru frigider
- 2-Suport pentru vinuri
- 3-Raft rabatabil
- 4-Capacul sertarului Humidity Zone
- 5-Sertar Humidity Zone
- 6-Capacul sertarului My Zone
- 7-Sertarul My Zone
- 8-Sertar de depozitare superior congelator
- 9-Tavă congelator
- 10-Sertar de depozitare inferior congelator
- 11-Picioare ajustabile
- 12-Sertar de depozitare pe ușă

i OBSERVAȚIE

Ca urmare a modificărilor tehnice și a diferitelor modele, unele ilustrații din acest manual pot diferi de modelul dvs.

(HTW3620EN*, HTW3620DN*, HTW3620CN*)

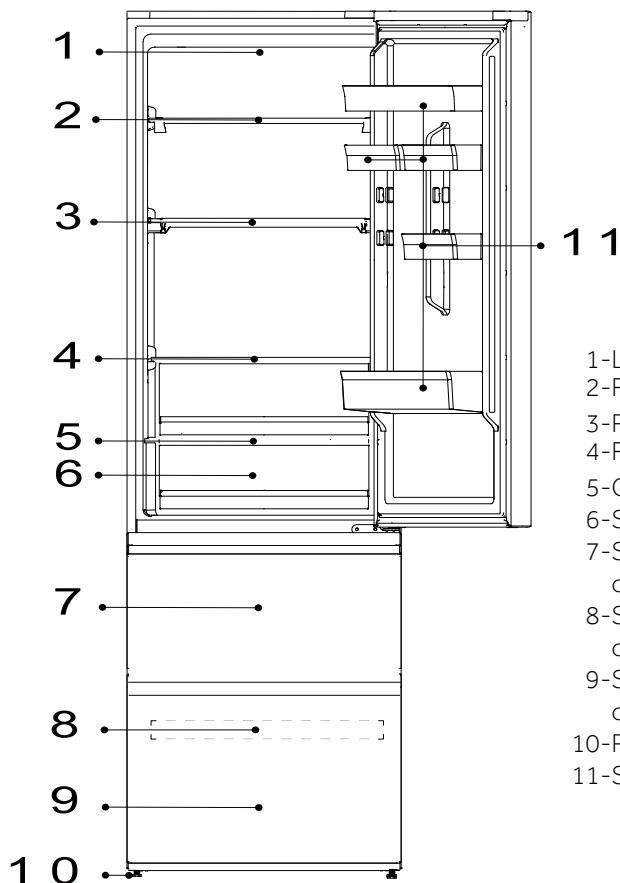


- 1-Lampă cu LED-uri pentru frigider
- 2-Raft din sticlă
- 3-Raft din sticlă
- 4-Raft din sticlă
- 5-Raft din sticlă
- 6-Capacul sertarului My Zone
- 7-Sertarul My Zone
- 8-Sertar de depozitare superior congelator
- 9-Sertar de depozitare central congelator
- 10-Sertar de depozitare inferior congelator
- 11-Picioare ajustabile
- 12-Sertar de depozitare pe ușă

i OBSERVAȚIE

Ca urmare a modificărilor tehnice și a diferitelor modele, unele ilustrații din acest manual pot diferi de modelul dvs.

(HTW3618EN*, HTW3618DN*, HTW3618CN*)

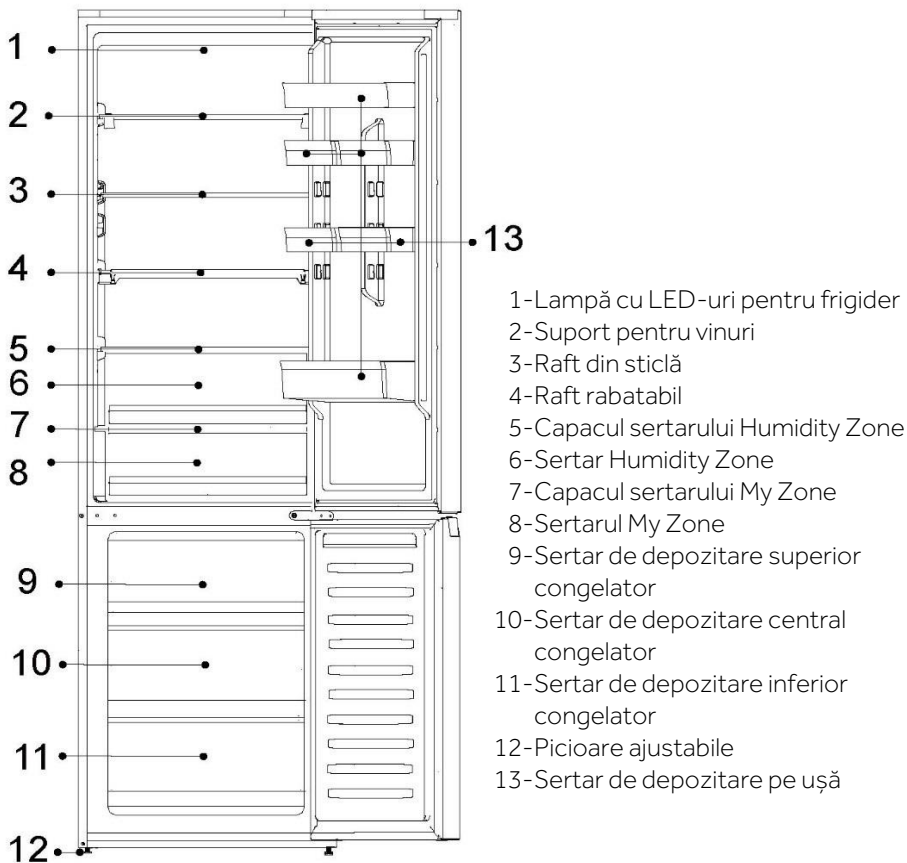


- 1-Lampă cu LED-uri pentru frigider
- 2-Raft din sticlă
- 3-Raft din sticlă
- 4-Raft din sticlă
- 5-Capacul sertarului My Zone
- 6-Sertarul My Zone
- 7-Sertar de depozitare superior congelator
- 8-Sertar de depozitare central congelator
- 9-Sertar de depozitare inferior congelator
- 10-Picioare ajustabile
- 11-Sertar de depozitare pe ușă

i OBSERVAȚIE

Ca urmare a modificărilor tehnice și a diferitelor modele, unele ilustrații din acest manual pot diferi de modelul dvs.

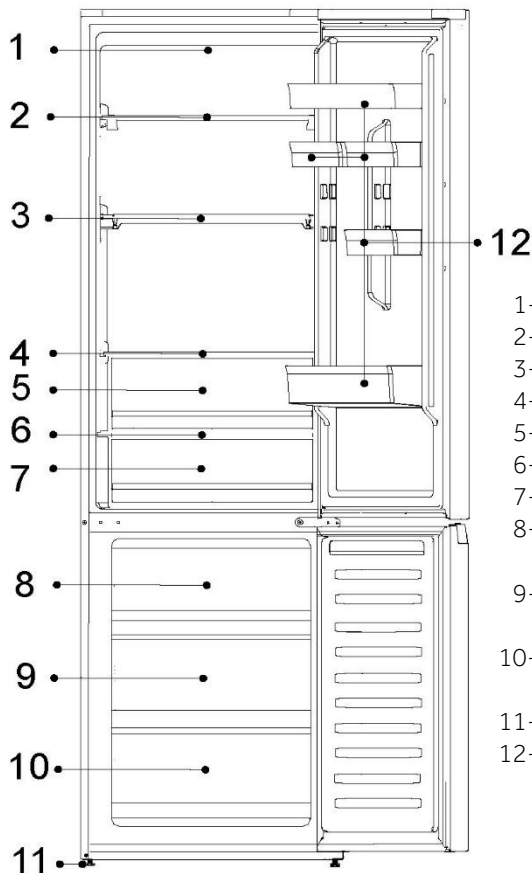
(HDPW5620DN*, HDPW5620CN*, HDPW5620BN*, HDPW5620AN*)



i OBSERVAȚIE

Ca urmare a modificărilor tehnice și a diferitelor modele, unele ilustrații din acest manual pot diferi de modelul dvs.

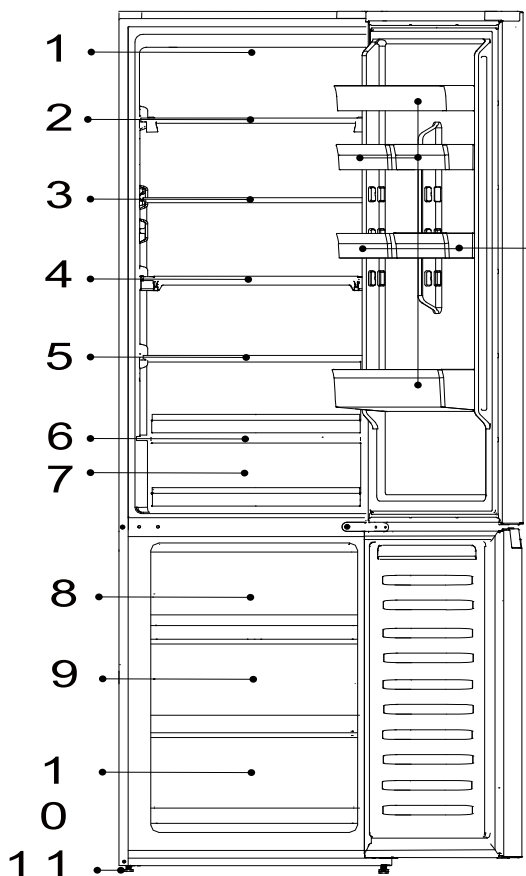
(HDPW5618DN*, HDPW5618CN*)



- 1-Lampă cu LED-uri pentru frigider
- 2-Suport pentru vinuri
- 3-Raft rabatabil
- 4-Capacul sertarului Humidity Zone
- 5-Sertar Humidity Zone
- 6-Capacul sertarului My Zone
- 7-Sertarul My Zone
- 8-Sertar de depozitare superior congelator
- 9-Sertar de depozitare central congelator
- 10-Sertar de depozitare inferior congelator
- 11-Picioare ajustabile
- 12-Sertar de depozitare pe ușă

i OBSERVAȚIE

Ca urmare a modificărilor tehnice și a diferitelor modele, unele ilustrații din acest manual pot diferi de modelul dvs.
(HDPW3620DN*, HDPW3620CN*)



1 2

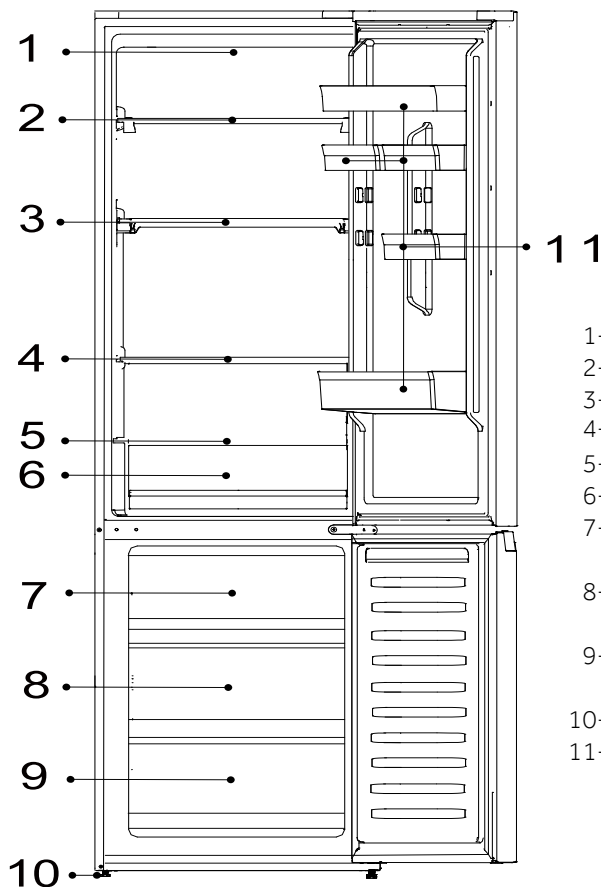
- 1-Lampă cu LED-uri pentru frigider
- 2-Raft din sticlă
- 3-Raft din sticlă
- 4-Raft din sticlă
- 5-Raft din sticlă
- 6-Capacul sertarului My Zone
- 7-Sertarul My Zone
- 8-Sertar de depozitare superior congelator
- 9-Sertar de depozitare central congelator
- 10-Sertar de depozitare inferior congelator
- 11-Picioare ajustabile
- 12-Sertar de depozitare pe ușă

1 1

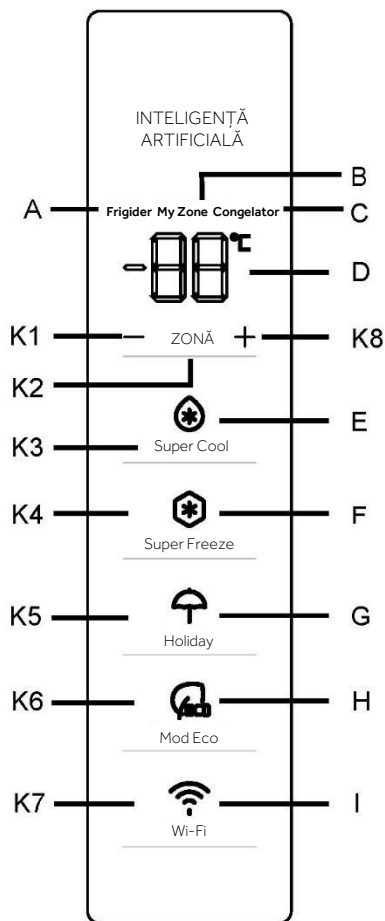
i OBSERVAȚIE

Ca urmare a modificărilor tehnice și a diferitelor modele, unele ilustrații din acest manual pot diferi de modelul dvs.

(HDPW3618DN*, HDPW3618CN*)



- 1-Lampă cu LED-uri pentru frigider
- 2-Raft din sticlă
- 3-Raft din sticlă
- 4-Raft din sticlă
- 5-Capacul sertarului My Zone
- 6-Sertarul My Zone
- 7-Sertar de depozitare superior congelator
- 8-Sertar de depozitare central congelator
- 9-Sertar de depozitare inferior congelator
- 10-Picioare ajustabile
- 11-Sertar de depozitare pe ușă

Panoul de comenzi

Indicatori:

- A Compartiment frigider
- B Compartiment răcitor (My Zone)
- C Compartiment congelator
- D Afișaj temperatură
- E Funcția Super Cool
- F Funcția Super Freeze
- G Funcția Holiday
- H Funcția Mod Eco
- I Funcția Wi-Fi

Butoane:

- K1 Scădere temperatură
- K2 Selectare frigider, My Zone și congelator
- K3 Pornire/oprire funcție Super Cool
- K4 Pornire/oprire funcție Super Freeze
- K5 Pornire/oprire funcție Holiday
- K6 Pornire/oprire funcție Mod Eco
- K7 Pornire/oprire funcție Wi-Fi
- K8 Creștere temperatură

Înainte de prima utilizare

Scoateți toate materialele de ambalare, nu le lăsați la îndemâna copiilor și eliminați-le într-un mod ecologic.

Curățați interiorul și exteriorul aparatului, precum și interiorul și accesoriile cu apă și un detergent moale și uscați-l bine cu o cârpă moale.

După echilibrarea și curățarea aparatului, așteptați cel puțin 2 ore înainte de a-l conecta la rețeaua de alimentare. Consultați secțiunea **INSTALARE**.

Răciți în prealabil compartimentele cu setări ridicate înainte de ale umple cu alimente. Funcția Super Freeze ajută la răcirea rapidă a compartimentului congelatorului.

Taste cu senzor

Butoanele de pe panoul de comenzi sunt taste cu senzori, care răspund imediat ce sunt apăstate ușor cu degetul.

Pornire/oprire aparat

Aparatul intră în funcțiune imediat ce este conectat la rețeaua de alimentare.

Când aparatul este pornit pentru prima dată, indicatorii de temperatură „D” indică valorile presetate (consultați observația de mai jos).

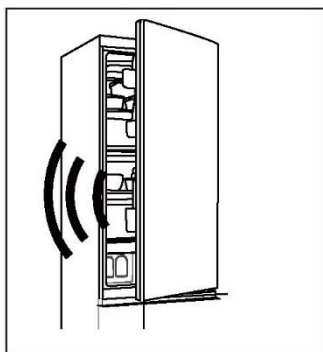
OBSERVAȚIE

Aparatul este presetat la temperatura recomandată de 5 °C (frigider) și -18 °C (congelator). Temperatura My Zone este presetată la aproximativ 2 °C. Acestea sunt setările recomandate. Dacă doriți, puteți modifica manual aceste temperaturi.

Alarmă deschidere ușă

Atunci când este deschisă ușa frigiderului timp de peste 3 minute, se va declanșa alarma sonoră pentru deschiderea ușii.

Alarma poate fi oprită prin închiderea ușii. Dacă ușa este deschisă timp de peste 7 minute, lumina din interiorul frigiderului și iluminarea panoului de comenzi se sting automat.



Reglarea temperaturii

Temperaturile din interior sunt influențate de următorii factori:

- ▶ Temperatura ambientală
- ▶ Frecvența de deschidere a ușii
- ▶ Cantitatea de alimente depozitate
- ▶ Instalarea aparatului



Reglarea temperaturii frigiderului

1. Apăsați butonul „K2” (Selectare Frigider / (My Zone) / Congelator) pentru a selecta compartimentul frigider. Pictogramele „A” (compartimentul frigider) și „D” (afișajul temperaturii) se aprind.
2. Apăsați butonul „K1/K8” pentru a seta temperatura frigiderului.

Temperatura crește în trepte de 1 °C, de la un minim de 2 °C la maxim de 8 °C. Temperatura optimă în congelator este de 5°C. Temperaturile mai scăzute înseamnă consum inutil de energie.

3. După aproximativ 5 secunde, pictograma de temperatură „D” (afișajul temperaturii) va rămâne aprinsă și setarea este confirmată.

Ajustarea temperaturii congelatorului

1. Apăsați butonul „K2” (Selectare Frigider / (My Zone) / Congelator) pentru a selecta compartimentul congelator. Pictogramele „C” (compartimentul congelator) și „D” (afișajul temperaturii) se aprind.
2. Apăsați butonul „K1/K8” pentru a seta temperatura congelatorului.

Temperatura crește în trepte de 1 °C, de la un minim de -24 °C la maxim de -16 °C. Temperatura optimă a congelatorului este de -18. Temperaturile mai scăzute înseamnă un consum inutil de energie.

3. După aproximativ 5 secunde, indicatorul de temperatură „D” (afișajul temperaturii) va rămâne aprins și setarea este confirmată.

Ajustarea temperaturii My Zone

Compartimentul frigiderului este prevăzut cu un sertar My Zone. În conformitate cu cerințele de depozitare a alimentelor, poate fi selectată temperatura cea mai potrivită pentru a obține valoarea nutritivă optimă a alimentelor.

1. Apăsați butonul „K2” (Selectare frigider / (My Zone) / Congelator) pentru a selecta compartimentul My Zone. Pictograma „B” (compartimentul My Zone) și „D” (Afișajul temperaturii) se aprind.
2. Apăsați butonul „K1/K8” pentru a seta temperatura compartimentului My Zone.

Temperatura crește în trepte de 1 °C, de la un minim de 0 °C la maxim de 5 °C.

3. După aproximativ 5 secunde, pictograma de temperatură „D” (afișajul temperaturii) va rămâne aprinsă și setarea este confirmată.



i OBSERVAȚIE

1. Puteți seta temperatura compartimentului My Zone la nivelul mediu (2 °C), pentru a vă păstra alimentele în mediul optim de depozitare.
2. Ca urmare a conținutului diferit de apă din carne, unele cărnuri cu umezeală mai ridicată vor fi înghețate la temperaturi mai mici de 0 °C. Prin urmare, carnea „proaspăt tăiată” trebuie depozitată în sertarul My Zone, la temperatura minimă de 0 °C.
3. Fructele sensibile la temperaturile scăzute, precum ananasul, avocado, bananele, grepfruturile și legumele precum cartofii, vinetele, fasolea, castraveții, dovleceii și roșiile, dar și brânza, nu trebui depozitate în sertarul My Zone.
4. Dacă temperatura frigiderului este mai mică decât temperatura My Zone, este normal ca temperatura My Zone să fie mai mică decât temperatura sa setată.

i OBSERVAȚIE

După setarea temperaturii, dacă alte butoane sunt apăstate în decurs de 5 secunde, setarea curentă a temperaturii va fi confirmată imediat. Dacă nu se efectuează nicio operațiune asupra butoanelor în decurs de 5 secunde, temperatura setată curent este afișată până când ecranul se stinge.

i OBSERVAȚIE

Aplicația permite personalizarea temperaturii pentru frigider, congelator și My Zone. Temperatura poate fi setată cu sensibilitate de 1 °C.

Funcția Super Cool

1. Este recomandat să activați funcția Super Cool dacă trebuie depozitată o cantitate mare de alimente (de exemplu, după cumpărare). Funcția Super Cool accelerează răcirea alimentelor proaspete și protejează alimentele deja depozitate împotriva încălzirii nedorite.
2. Apăsați butonul „K3” sau porniți-o din aplicație, pictograma „E” (funcția Super Cool) se aprinde și funcția este activată.

i OBSERVAȚIE

1. Aparatul iese din „funcția Super Cool” după ce ați accesat „funcția Super Cool” timp de 6 ore sau apăsați butonul „K3” când pictograma „E” (funcția Super Cool) este aprinsă sau dezactivați-o din aplicație.
2. În starea Super Cool, dacă temperatura compartimentului frigider este setată, pictograma „E” (funcția Super Cool) luminează intermitent pentru a indica că această operațiune nu poate fi efectuată.

Funcția Super Freeze

1. Alimentele proaspete trebuie congelate complet cât mai rapid posibil. Acest lucru poate păstra cele mai bune valori nutriționale, aspectul și gustul. Funcția Super Freeze accelerează congelarea alimentelor proaspete și protejează alimentele deja depozitate împotriva încălzirii nedorite. Dacă trebuie să congelați o cantitate mare de alimente pe loc, este recomandat să activați funcția Super Freeze cu 24 de ore înainte de utilizarea spațiului de congelare.
2. Apăsați butonul „K4” (setarea funcției Super Freeze) sau porniți-o din aplicație, pictograma „F” (funcția Super Freeze) se aprinde și funcția este activată.

i OBSERVAȚIE

1. Aparatul iese din „funcția Super Freeze” după ce a intrat în „funcția Super Freeze” timp de 50 de ore sau după apăsarea butonului „K4”, atunci când pictograma „F” (funcția Super Freeze) este aprinsă sau opriți-o din aplicație.
2. În starea Super Freeze, dacă temperatura compartimentului congelatorului este setată, pictograma „F” (funcția Super Freeze) luminează intermitent pentru a indica faptul că această operațiune nu poate fi efectuată.

Funcția Holiday

Funcția Holiday poate fi utilizată pentru a reduce consumul de energie al aparatului, atunci când acesta nu este utilizat în mod regulat. Când funcția este activată, frigiderul este oprit, în timp ce congelatorul va continua să funcționeze normal. Această funcție setează temperatura frigiderului permanent la 17 °C.

Acest lucru permite menținerea închisă a ușii frigiderului gol, fără să se formeze mirosuri neplăcute sau mucegai, în timpul unei absențe de durată (de ex. în timpul concediului). Compartimentul congelatorului este liber pentru setarea de către dvs.

1. Apăsați butonul „K5” (Pornire/oprire funcție Holiday) sau selectați funcția din aplicație, pictograma „G” (funcția Holiday) se aprinde și funcția este activată.



2. Funcția poate fi dezactivată apăsând din nou butonul „K5” (Pornire/oprire funcție Holiday), prin setarea temperaturii frigiderului sau prin efectuarea oricărei alte setări ori oprirea acestei funcții din aplicație.

i OBSERVAȚIE

1. Atunci când funcția Holiday este activă, nu trebuie să păstrați alimente în compartimentul frigider. Temperatura de 17 °C este prea ridicată pentru depozitarea alimentelor.
2. Când funcția Holiday este activată, pictograma My Zone rămâne oprită, iar funcția frigiderului este blocată. Dacă se reglează temperatura compartimentului frigider, pictograma „G” (funcția Holiday) luminează intermitent pentru a indica faptul că această operațiune nu poate fi efectuată.

Funcția Mod Eco

Modul Mod Eco poate fi activat pentru a optimiza performanța aparatului, în timp ce oferă cel mai bun loc de depozitare a alimentelor. Dacă nu aveți cerințe speciale, vă recomandăm să utilizați funcția Mod Eco.

În acest mod temperatura frigiderului este de 5 °C, temperatura congelatorului este de -18 °C.

1. Apăsați butonul „K6” (Pornire/oprire funcție Mod Eco) sau selectați funcția din aplicație.
2. Pictograma „H” (funcția Mod Eco) este aprinsă și funcția este activată. Dacă repetați pașii de mai sus, selectați o altă funcție sau o opriți din aplicație, această funcție se va dezactiva. Nivelurile de răcire setate anterior sunt restabilite.

i OBSERVAȚIE

În timpul funcției Mod Eco, dacă temperatura compartimentului frigider/congelator este ajustată, pictograma „H” (funcția Mod Eco) luminează intermitent pentru a indica faptul că această operațiune nu poate fi efectuată.

Pasul 1 Descărcați aplicația hOn din magazinele digitale.







Pasul 2 Creați-vă contul în aplicația hOn sau conectați-vă dacă aveți deja un cont.



Pasul 3 Urmați instrucțiunile de asociere în aplicația hOn.



Funcția Wi-Fi

1. Urmați instrucțiunile aplicației pentru a configura Wi-Fi.
2. După configurarea Wi-Fi și stabilirea conexiunii, pictograma Wi-Fi „I” rămâne aprinsă.
3. Dacă Wi-Fi-ul este deja configurat, acesta se va reconecta automat în funcție de informațiile de configurare, dacă se activează conexiunea Wi-Fi.

OBSERVAȚIE

1. Pentru a opri Wi-Fi, apăsați butonul Wi-Fi „K7”, iar pictograma Wi-Fi „I” se oprește.
2. Pentru a porni Wi-Fi și a începe configurarea, apăsați butonul Wi-Fi „K7”, iar pictograma Wi-Fi „I” începe să lumineze intermitent ușor. Dacă doriți să configurați funcția Wi-Fi, apăsați butonul „K7” timp de 3 secunde, pictograma Wi-Fi se aprinde intermitent rapid și intră în modul de configurare. Dacă doriți să dezactivați funcția Wi-Fi, apăsați butonul „K7” o dată. Repetați pașii de mai sus.
3. Dacă produsul a fost configurat și funcția Wi-Fi a fost dezactivată, frigiderul nu va intra în modul de configurare, după ce acesta este din nou conectat la curent.

OBSERVAȚIE

1. Acest produs nu este destinat utilizării comerciale.
2. Puterea maximă de ieșire RF: 2,4 GHz Wi-Fi: 16dBm;
3. Bluetooth® Low Energy: 5dBm; Bluetooth®(BR/EDR): 10dBm.
4. Banda de frecvență de funcționare: 2400-2483,5 MHz.



Marca și logo-urile Bluetooth® sunt mărci înregistrate deținute de Bluetooth SIG, Inc., iar orice utilizare a acestora de către Candy Hoover Group SRL se face în baza unei licențe. Alte mărci comerciale și denumiri sunt proprietate a deținătorilor.

Depozitarea în compartimentul frigiderului

- Mențineți temperatura frigiderului sub 5 °C.
- Alimentele fierbinți trebuie răcite la temperatura camerei înainte de a fi depozitate în aparat.
- Alimentele depozitate în frigider trebuie spălate și uscate înainte de depozitare.
- Alimentele care vor fi depozitate trebuie sigilate corespunzător pentru a evita modificarea mirosului sau a gustului.
- Nu depozitați cantități excesive de alimente. Lăsați spații între alimente pentru a permite trecerea fluxului de aer rece în jurul acestora, pentru o răcire mai bună și mai omogenă.
- Alimentele consumate zilnic trebuie depozitate în partea din față a raftului.
- Lăsați un spațiu între alimente și pereții interior, pentru a permite trecerea aerului. În orice caz, nu depozitați alimente lipite de peretele din spate: alimentele pot îngheța pe peretele din spate. Evitați contactul direct al alimentelor (în special al alimentelor uleioase sau acide) cu căptușeala interioară, deoarece uleiul/acidul poate eroda căptușeala interioară. Curățați reziduurile de ulei/acid atunci când le depistați.
- Alimentele congelate pot fi dezghețate încet în compartimentul frigiderului. Astfel, economisiți energie.
- Procesul de îmbătrânire a fructelor și legumelor precum dovlecei, pepene, papaya, banane, ananas etc. poate fi accelerat în frigider. Prin urmare, nu este recomandată depozitarea lor în frigider. Totuși, coacerea fructelor foarte verzi poate fi accelerată pentru o anumită perioadă. Și ceapa, usturoiul, ghimbirul și alte legume rădăcinoase trebuie depozitate la temperatura camerei.
- Mirosurile neplăcute din interiorul frigiderului reprezintă un semn că ceva s-a vărsat și este necesară curățarea. Consultați secțiunea Îngrijire și curățare.
- Alimentele diferite trebuie amplasate în zone diferite, în funcție de proprietățile acestora.

Depozitarea în compartimentul congelatorului

- Mențineți temperatura congelatorului la -18 °C.
- Cu 24 de ore înainte de congelare, porniți funcția Super-Freeze. Pentru cantități mici de mâncare sunt suficiente 4-6 ore.
- Alimentele fierbinți trebuie răcite la temperatura camerei înainte de a fi depozitate în compartimentul congelatorului.
- Alimentele tăiate în bucăți mici vor congela mai repede și vor fi mai ușor de decongelat și gătit. Greutatea recomandată pentru fiecare bucată este de sub 2,5 kg.
- Este recomandată ambalarea alimentelor înainte de amplasarea lor în congelator. Exteriorul ambalajului trebuie să fie uscat pentru a evita lipirea pungilor între ele. Materialele folosite pentru ambalare trebuie să nu aibă miros, să fie etanșe, să nu fie otrăvitoare sau toxice.

- Pentru a evita expirarea perioadelor de depozitare, notați data congelării, limita în timp și denumirea alimentelor pe ambalaj în funcție de perioadele de depozitare ale diferitelor alimente.



AVERTIZARE!

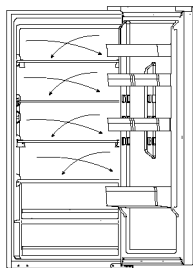
- ▶ Produsele acide, alcaline și sarea etc. pot eroda suprafața interioară a congelatorului.
- ▶ Nu puneți alimentele care conțin aceste substanțe (de exemplu, pește marin) direct pe suprafața interioară. Apa sărată din interiorul congelatorului trebuie curățată imediat.
- ▶ Nu depășiți perioada de depozitare a alimentelor recomandate de producători. Scoateți din congelator numai cantitatea necesară de alimente.
- ▶ Consumați rapid alimentele decongelate. Alimentele decongelate nu pot fi recongelate decât dacă sunt gătite, mai întâi. În caz contrar, acestea pot fi mai puțin comestibile.
- ▶ Nu încărcăți cantități excesive de alimente proaspete în compartimentul congelatorului. Consultați capacitatea de congelare a congelatorului - Vedeți DATELE TEHNICE sau datele de pe plăcuța de identificare.
- ▶ Alimentele pot fi depozitate în congelator la o temperatură de cel puțin -18 °C timp de 2-12 luni funcție de proprietăți (de ex., carnea: 3-12 luni, legumele: 6-12 luni)
- ▶ Atunci când congelați alimente proaspete, evitați contactul dintre acestea și alimentele deja congelate. Risc de decongelare!

În cazul depozitării alimentelor congelate comercial, urmați următoarele indicații:

- Urmați întotdeauna instrucțiunile producătorilor privind durata de timp în care puteți depozita alimentele. Nu depășiți aceste indicații!
- Încercați să păstrați durata de timp dintre cumpărare și depozitare cât mai mică posibil pentru a menține calitatea alimentelor.
- Cumpărați alimente congelate care au fost depozitate la o temperatură de -18 °C sau mai joasă.
- Evitați să cumpărați alimente care au gheață pe ambalaj - acest lucru indică faptul că produsele pot să fi fost decongelate parțial și recongelate într-un anumit moment; creșterile de temperatură afectează calitatea alimentelor.

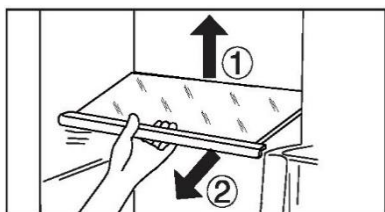
i OBSERVAȚIE

Ca urmare a modelelor diferite, produsul dvs. poate să nu aibă toate funcțiile următoare. Vă rugăm să consultați capitolul Descrierea produsului.



Flux de aer multiplu

Frigiderul este prevăzut cu un sistem cu flux de aer multiplu, prin care fluxurile de aer rece sunt asigurate la nivelul fiecărui raft. Acest lucru ajută la păstrarea unei temperaturi uniforme pentru a asigura faptul că alimentele dvs. sunt menținute proaspete pentru mai mult timp.



Raft ajustabil

1. Înălțimea rafturilor poate fi ajustată pentru a se potrivește nevoilor dvs. de depozitare.
2. Pentru re poziționarea unui raft, scoateți-l mai întâi prin ridicarea marginii din spate ① și tragerea sa în afară ②.
3. Pentru montarea la loc, așezați-l pe canalele de pe ambele părți și împingeți-l în cea mai din spate poziție, până când partea din spate a raftului este fixată în interiorul fantelor laterale.

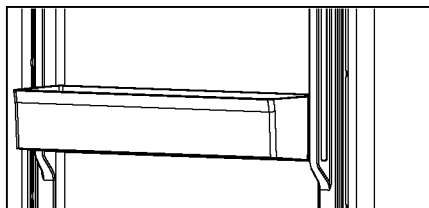
i OBSERVAȚIE

Asigurați-vă că toate capetele unui raft sunt drepte.

Sertar detașabil de depozitare pe ușă

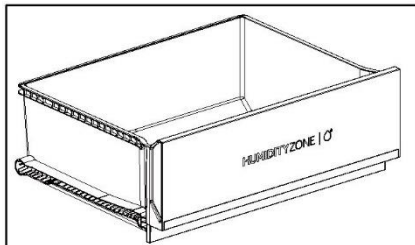
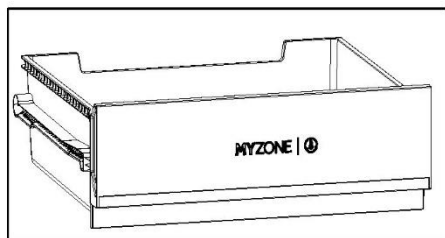
Sertarul de depozitare pe ușă poate fi îndepărtat pentru a fi curățat:

Puneți mâinile pe fiecare parte a sertarului de depozitare pe ușă, ridicați-l (1) și trageți-l în afară (2). Pentru introducerea sertarului de depozitare pe ușă, urmați pașii de mai sus în ordine inversă.



Sertarul My Zone

Pentru utilizarea și setarea compartimentului My Zone, consultați secțiunea UTILIZARE (My Zone).



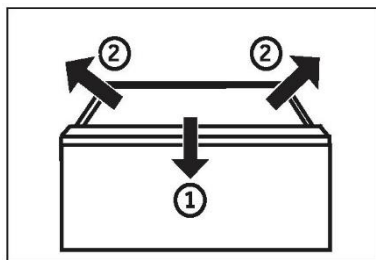
Sertar Humidity Zone

În acest compartiment nivelul de umiditate este controlat automat de sistem și este potrivit pentru depozitarea fructelor, legumelor, salatelor etc.

Sertar demontabil

Pentru a scoate sertarul din compartimentul frigider sau congelator, trageți sertarul maxim în afară (1), ridicați-l și scoateți-l (2).

Pentru introducerea sertarului, urmați pașii de mai sus în ordine inversă.



Sertar congelator

Sertarele congelatorului pot fi extinse drept și complet. Ele sunt montate pe o șină telescopică care se derulează ușor. Acestea vă permit să depozitați și să îndepărtați cu ușurință sertarul congelatorului. Datorită mecanismului de închidere automată a ușii, manipularea este ușoară și economisește energie.



AVERTIZARE!

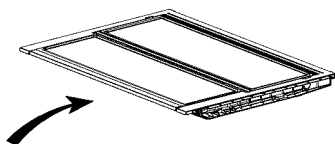
Nu încărcați excesiv sertarele: Sarcina maximă a fiecărui sertar: 35 kg!

Becul

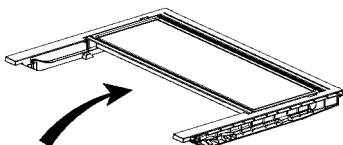
Becul interior cu LED se aprinde la deschiderea ușii. Performanța luminilor nu este afectată de nicio altă setare a aparatului.

Raft rabatabil

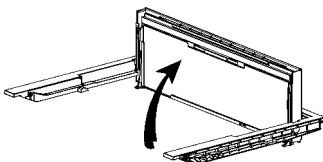
Raftul rabatabil va permite utilizatorului să depoziteze sticle sau articole înalte pe rafturi. Raftul pot fi pliat în spate, iar spațiul disponibil pentru raftul inferior va fi mai mare. Raftul poate fi pliat urmând indicațiile din Pașii 1~3. Dacă doriți ca el să revină la poziția inițială, efectuați următoarele proceduri în ordine inversă.



Pasul 1: Împingeți încet partea din față a raftului până la capăt.



Pasul 2: Împingeți încet raftul în sus până la poziția sa verticală.



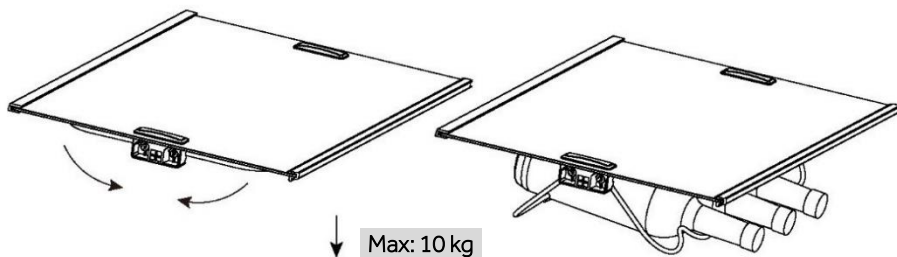
Pasul 3: Raftul este vertical. Va economisi spațiu.

Raft rabatabil pentru vinuri

Pentru utilizare obișnuită

1. Trageți în jos suporturile raftului pentru vinuri
2. Puneți sticlele pe raft

Atunci când nu este utilizat, raftul pentru vinuri poate fi pliat la loc pentru a economisi spațiu.





Sfaturi de economisire a energiei

- ▶ Asigurați-vă că aparatul este ventilat corespunzător (consultați secțiunea INSTALARE).
- ▶ Nu instalați aparatul în lumina directă a razelor soarelui sau în apropierea surselor de căldură (de ex. aragaze, radiatoare).
- ▶ Evitați setarea temperaturilor nenecesare de scăzute în aparat. Consumul de energie crește odată cu scăderea temperaturii setate în aparat.
- ▶ Funcții precum SUPER FREEZE consumă mai multă energie.
- ▶ Lăsați alimentele calde să se răcească înainte de a le amplasa în aparat.
- ▶ Deschideți ușa aparatului cât mai puțin și pentru o perioadă cât mai scurtă posibil.
- ▶ Nu umpleți excesiv aparatul, pentru a evita obstrucționarea fluxului de aer.
- ▶ Evitați prezența aerului în ambalajul alimentelor.
- ▶ Mențineți garniturile ușii curate astfel încât ușa să se închidă corect întotdeauna.
- ▶ Decongelați alimentele congelate în compartimentul de depozitare al frigiderului sau utilizați funcția D-Frost din sertarul My Zone.
- ▶ Cea mai economică configurație necesită poziționarea sertarului, cutiei de alimente și a rafturilor în aparat în starea din fabrică, iar alimentele trebuie poziționate astfel încât să nu blocheze evacuarea aerului.



AVERTIZARE!

Curățare

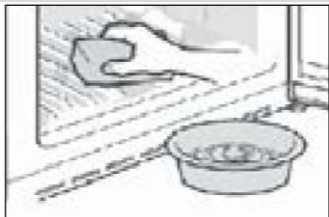
Curățați aparatul atunci când sunt depozitate puține alimente sau când acesta este gol.

Aparatul trebuie curățat o dată la patru săptămâni pentru o întreținere corectă și pentru a preveni mirosurile neplăcute cauzate de mâncarea depozitată.



AVERTIZARE!

- ▶ Nu curățați aparatul cu perii aspre, cu perii de sârmă, cu detergent pulbere, benzină, acetat de amil, acetonă sau soluții organice similare, soluții acide sau alcaline. Curățați cu detergent special pentru frigider pentru a evita deteriorările.
- ▶ Nu pulverizați și nu spălați aparatul în timpul curățării.
- ▶ Nu folosiți pulverizarea cu apă sau aburi de apă în timpul curățării aparatului.
- ▶ Nu curățați rafturile reci din sticlă cu apă fierbinte. Schimbarea bruscă de temperatură poate face ca sticla să se spargă.
- ▶ Nu atingeți suprafața interioară a compartimentului de depozitare al congelatorului, în special cu mâinile ude, deoarece mâinile pot îngheța pe suprafață.
- ▶ În cazul încălzirii, verificați starea produselor congelate.



- ▶ Asigurați întotdeauna curățenia garniturii ușii.
- ▶ Curățați interiorul și carcasa aparatului cu un burete înmuiat în apă caldă și detergent neutru.
- ▶ 1. Este indicat să ștergeți interiorul și exteriorul frigiderului, inclusiv garniturile ușilor, raftul de pe ușă, rafturile din sticlă, cutiile și celelalte elemente, cu un prosop moale sau cu un burete înmuiat în apă caldă (puteți adăuga detergent neutru în apa caldă).
- ▶ 2. Dacă se varsă lichid, îndepărtați toate părțile contaminate, clătiți direct cu jet de apă, uscați-le și puneți-le înapoi în frigider.
- ▶ 3. Dacă se varsă alimente cu consistență cremoasă (cum ar fi smântâna, înghețata topită), vă rugăm să îndepărtați toate părțile contaminate, puneți-le în apă caldă la aproximativ 40 °C pentru o perioadă de timp, apoi clătiți-le cu jet de apă, uscați-le și puneți-le înapoi în frigider.
- ▶ 4. În cazul în care o parte mică sau o componentă este blocată în interiorul frigiderului (între rafturi sau sertare), utilizați o perie mică și moale pentru a o elibera. Dacă nu ați putut ajunge la piesa respectivă, contactați serviciul Haier.
- ▶ Clătiți și uscați cu o cârpă moale.
- ▶ Nu curățați nicio parte a aparatului în mașina de spălat vase.
- ▶ Așteptați cel puțin 5 minute înainte de repornirea aparatului, deoarece pornirea frecventă poate deteriora compresorul.



Decongelarea

Decongelarea compartimentului frigiderului și congelatorului au loc automat, nefiind necesară intervenția manuală.

Înlocuirea becului LED



AVERTIZARE!

Nu înlocuiți becul LED de unul singur. Acesta trebuie înlocuit de producător sau de un agent de service autorizat

Becul are un LED ca sursă de lumină a acestuia au un consum redus de energie și o durată mare de viață. În cazul în care există anormalități, contactați serviciul pentru clienți. Consultați secțiunea SERVICIU PENTRU CLIENȚI.

Parametrii becurilor:

Piesă	Bec cu LED
Tensiune	12V
Putere maximă	1,5 W
Spec. LED	Alb-2835
Clasa de eficiență LED	G
Temperatura de utilizare	-40-80 °C

Neutilizare pentru o perioadă lungă de timp

Dacă aparatul nu este utilizat pe o perioadă extinsă de timp și nu veți folosi funcția Holiday pentru frigider:

Scoateți alimentele.

Deconectați cablul de alimentare.

Curățați aparatul conform descrierii de mai sus.

Țineți ușile congelatorului deschise pentru a preveni apariția mirosurilor neplăcute în interior.



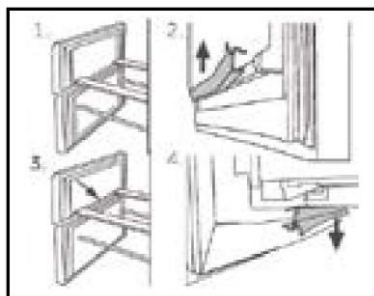
OBSERVAȚIE

Opriiți aparatul numai dacă este strict necesar.

Garnituri auxiliare demontabile ușă

Există șase garnituri auxiliare pentru ușă la sertarele superioare și inferioare ale congelatorului.

1. Localizați cele cinci garnituri de ușă indicate la sertarul superior și cel inferior ale congelatorului.
2. Asigurați-vă că părțile îndoite ale garniturilor sunt îndreptate spre interior în timpul montării lor.
3. Localizați garnitura inferioară a sertarului superior, după cum se indică.
4. Asigurați-vă că partea îndoită a acestei garnituri este îndreptată în jos în timpul montării. Puteți obține aceste garnituri și garniturile pentru ușa turnantă/sertar prin intermediul serviciului pentru clienți (consultați fișa de garanție).



Mutarea aparatului

1. Scoateți toate alimentele și deconectați aparatul.
2. Securizați rafturile și restul părților mobile din frigider și congelator cu bandă adezivă.
3. Nu înclinați frigiderul la mai mult de 45°, pentru a evita deteriorarea sistemului frigorific.



AVERTIZARE!

- ▶ Nu ridicați aparatul de mână.
- ▶ Nu poziționați niciodată aparatul orizontal pe sol.

Multe probleme care pot apărea pot fi rezolvate de dvs., fără a fi necesare cunoștințe specifice. În cazul unei probleme verificați toate posibilitățile afișate și urmați instrucțiunile de mai jos înainte de a apela la un serviciu post-vânzare. Consultați secțiunea SERVICIU PENTRU CLIENȚI.



AVERTIZARE!

- ▶ Înainte de întreținere, dezactivați aparatul și deconectați ștecărul de la rețeaua de alimentare.
- ▶ Echipamentele electrice trebuie depanate numai de către specialiști calificați în domeniul electric, deoarece reparațiile necorespunzătoare pot provoca daune indirecte considerabile.
- ▶ Un articol furnizat deteriorat trebuie înlocuit numai de către producător, agentul său de service sau persoane calificate similare, pentru a evita orice pericol.

Tabel de depanare

Problemă	Cauză posibilă	Soluție posibilă
Compresorul nu funcționează.	Ștecărul de alimentare nu este conectat la priza de alimentare.	Conectați ștecărul de alimentare.
	Aparatul este în ciclul de decongelare.	Acest lucru este normal în cazul unei decongelări automate.
Aparatul pornește frecvent sau pentru o perioadă prea mare de timp.	Temperatura interioară sau exterioară este prea ridicată.	În acest caz, este normal ca aparatul să funcționeze mai mult timp.
	Aparatul a fost deconectat de la energia electrică pentru o perioadă de timp.	În mod normal, durează între 8 și 12 ore ca aparatul să se răcească complet.
	O ușă/un sertar al aparatului nu este închis etanș.	Închideți ușa/sertarul și asigurați-vă că aparatul este amplasat pe o suprafață dreaptă și că nu există vreun aliment sau recipient care să deranjeze ușa.
	Ușa/sertarul a fost deschis prea des sau pentru o perioadă prea mare de timp.	Nu deschideți ușa/sertarul prea des.
	Setarea temperaturii pentru compartimentul congelatorului este prea joasă.	Setați temperatura la un valoare mai ridicată până când este obținută o temperatură satisfăcătoare a frigiderului. Este nevoie de 24 de ore pentru ca temperatura frigiderului să se stabilizeze.
	Garnitura ușii/sertarului este murdară, uzată, crăpată sau așezată incorect.	Curățați garnitura ușii/sertarului sau înlocuiți-o prin serviciul pentru clienți.
	Circulația necesară a aerului nu este garantată.	Asigurați o ventilație adecvată.
Interiorul frigiderului este murdar și/sau miroase.	Interiorul frigiderului necesită curățare.	Curățați interiorul frigiderului.
	Sunt depozitate alimente cu miros puternic în frigider.	Ambalați bine alimentele.

Problemă	Cauză posibilă	Soluție posibilă
În interiorul aparatului nu este suficient de rece.	Temperatura setată este prea ridicată.	Resetați temperatura.
	S-au păstrat alimente prea calde.	Răciți întotdeauna alimentele înainte de a le depozita.
	Au fost depozitate prea multe alimente în același timp.	Depozitați întotdeauna cantități mici de alimente.
	Produsele sunt prea apropiate unul de altul.	Lăsați un spațiu liber între mai multe alimente pentru a permite trecerea aerului.
	O ușă/un sertar al aparatului nu este închis etanș.	Închideți ușa/sertarul.
	Ușa/sertarul a fost deschis prea des sau pentru o perioadă prea mare de timp.	Nu deschideți ușa/sertarul prea des.
În interiorul aparatului este prea rece.	Temperatura setată este prea joasă.	Resetați temperatura.
	Funcția Super Freeze este activată sau este activă de prea mult timp.	Opriiți funcția Super Freeze.
Se formează umezeală în interiorul compartimentului frigiderului.	Climatul este prea călduros și prea umed.	Creșteți temperatura.
	O ușă/un sertar al aparatului nu este închis etanș.	Închideți ușa/sertarul.
	Ușa/sertarul a fost deschis prea des sau pentru o perioadă prea mare de timp.	Nu deschideți ușa/sertarul prea des.
	Recipientele cu alimente sau lichide sunt lăsate deschise.	Lăsați alimentele fierbinți să se răcească la temperatura camerei și acoperiți alimentele și lichidele.
Umezeala se acumulează pe suprafața exterioră a frigiderului sau între uși/ușă și sertar.	Climatul este prea călduros și prea umed.	Acest lucru este normal într-un climat umed și se va modifica atunci când umiditatea va scădea.
	Ușa/sertarul nu este închis etanș.	Asigurați-vă că ușa/sertarul este închis etanș.
Gheață solidă în compartimentul congelatorului.	Produsele nu au fost ambalate corespunzător.	Împachetați întotdeauna bine alimentele.
	Ușa/sertarul a fost deschis prea des sau pentru o perioadă prea mare de timp.	Nu deschideți ușa/sertarul prea des.
	Garnitura ușii/sertarului este murdară, uzată, crăpată sau așezată incorect.	Curățați garnitura ușii/sertarului sau înlocuiți-o cu una nouă.
	Ceva din interior împiedică închiderea corespunzătoare a ușii/sertarului.	Repoziționați rafturile, rafturile de ușă sau recipientele interne pentru a permite închiderea ușii/sertarului.



Problemă	Cauză posibilă	Soluție posibilă
Aparatul emite sunete anormale.	Aparatul nu se află pe o suprafață dreaptă.	Reglați suportul pentru a aduce aparatul la același nivel.
	Aparatul atinge unele obiecte din jurul acestuia.	Îndepărtați obiectele din jurul aparatului.
Se aude un sunet similar cu cel al apei care curge.	Acest lucru este normal.	/
Veți auzi o alarmă sonoră.	Ușa compartimentului de depozitare al frigiderului este deschisă.	Închideți ușa sau opriți alarma manual.
Veți auzi un zumzet slab care vine din apropiere.	Sistemul anticondens este în funcțiune.	Acesta împiedică formarea condensului și este normal.
Iluminarea interioară sau sistemul de răcire nu funcționează.	Ștecărul de alimentare nu este conectat la priza de alimentare.	Conectați ștecărul de alimentare.
	Sursa de alimentare nu este intactă.	Verificați sursa de alimentare cu energie electrică din cameră. Contactați compania locală de electricitate!
	Becul cu led este defect.	Contactați serviciul de depanare pentru înlocuirea becului.
Lateralele dulapului și garnitura ușii se încălzesc.	Acest lucru este normal.	/
Nu curge apă din robinetul dozatorului de apă	Încuietoarea nu este dezactivată.	Dezactivați încuietoarea.



Pană de curent

- ▶ În cazul unei pene de curent, alimentele ar trebui să rămână reci timp de aproximativ 13 ore. Urmăți aceste sfaturi în cazul unei pene de curent prelungite, în special pe timpul verii.
- ▶ Nu puneți alimente adiționale în aparat în timpul unei pene de curent.
- ▶ În cazul în care știți că se va produce o pană de curent, iar durata acesteia va fi mai mare de 13 ore, faceți cuburi de gheață și puneți-le într-un recipient pe raftul de sus din compartimentul frigiderului.
- ▶ Imediat după întreruperea energiei electrice este necesară inspectarea produselor.
- ▶ Dat fiind faptul că temperatura din frigider va crește în timpul unei pene de curent sau în cazul altei defecțiuni, perioada de depozitare și calitatea alimentelor comestibile vor fi reduse. Alimentele care se decongelează trebuie consumate sau gătite și recongelate (unde este cazul) cât mai curând după aceea, pentru a preveni apariția riscurilor pentru sănătate.



OBSERVAȚIE

Funcția de memorare în timpul penei de curent

După restabilirea alimentării cu energie electrică, aparatul continuă să funcționeze cu setările stabilite înaintea penei de curent.

Pentru contactarea asistenței tehnice, vizitați site-ul nostru web:

<https://corporate.haier-europe.com/en/>

La secțiunea „website” alegeți marca produsului dvs. și țara dvs. Veți fi redirectionat către website-ul specific unde puteți găsi numărul de telefon și alte modalități de contactare a asistenței tehnice.

Despachetare



AVERTIZARE!

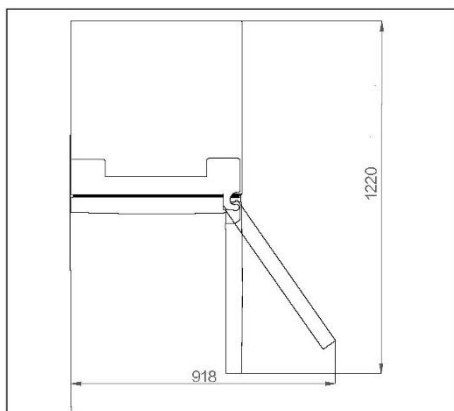
- ▶ Aparatul este greu. Manevrați-l întotdeauna cu cel puțin două persoane.
- ▶ Țineți toate materialele de ambalare la distanță de copii și eliminați-le într-un mod ecologic.
- ▶ Scoateți aparatul din ambalaj.
- ▶ Îndepărtați toate materialele de ambalare.

Condiții ambientale

Temperatura camerei trebuie să fie cuprinsă întotdeauna între 10 °C și 43 °C, deoarece poate influența temperatura din interiorul aparatului și consumul de energie al acestuia. Nu instalați aparatul în apropierea altor aparate care emit căldură (cuptoare, frigider) fără izolare.

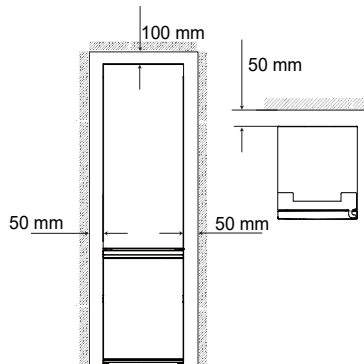
Recomandare în ceea ce privește spațiul

Spațiul recomandat atunci când ușa este deschisă.



Secțiune transversală ventilație

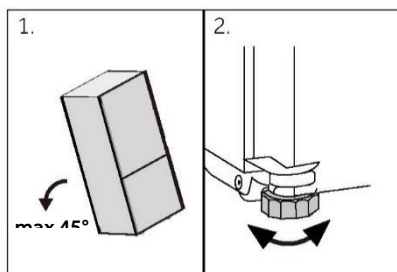
Pentru a obține o ventilație suficientă, din motive de siguranță, a aparatului electrocasnic, vă recomandăm să respectați instrucțiunile cu recomandarea în ceea ce privește spațiul.

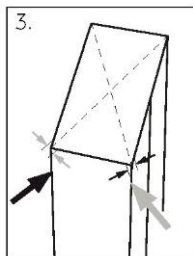


Alinierea aparatului

Aparatul trebuie amplasat pe o suprafață dreaptă și solidă.

1. Înclinați frigiderul ușor înapoi.
 2. Reglați picioarele la nivelul dorit.
- Asigurați-vă că distanța până la peretele de pe partea balamalei este de cel puțin 100 mm pentru ca ușa să se deschidă corect.

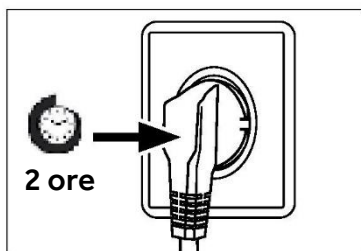




1. Stabilitatea poate fi verificată împingând alternativ pe diagonală. Balansarea ușoară trebuie să fie aceeași în ambele direcții. În caz contrar, cadrul se poate încovoia; drept rezultat pot apărea pierderi pe la garniturile ușii. Înclinarea ușoară spre spate favorizează închiderea ușilor.

OBSERVAȚIE

Aparat de sine stătător: acest aparat frigorific nu este destinat utilizării ca aparat încorporabil



Timpul de așteptare

Uleiul de ungere fără întreținere este amplasat în capsula compresorului. Uleiul respectiv poate trece prin sistemul cu țevi închis în timpul transportării înclinate. Înainte de conectarea aparatului la sursa de alimentare, trebuie să așteptați cel puțin 2 ore pentru ca uleiul să curgă înapoi în capsulă.

Conexiunea electrică

Înainte de fiecare conexiune verificați dacă:

- ▶ sursa de alimentare, priza și siguranța sunt conforme cu plăcuța cu date tehnice.
- ▶ priza de alimentare este legată la împământare și nu este de tip prize multiple sau prelungitor.
- ▶ ștecărul și priza de alimentare sunt strict conforme.

Conectați ștecărul la o priză de la domiciliu instalată corespunzător.

AVERTIZARE!

Pentru evitarea riscurilor, cablul de alimentare deteriorat trebuie înlocuit prin serviciul pentru clienți (consultați fișa de garanție).



Reversibilitatea ușii

Înainte de conectarea aparatului la sursa de alimentare, trebuie să verificați dacă modul de deschidere a ușii trebuie schimbat de la dreapta (cum este livrat) la stânga, dacă acest lucru este necesar ca urmare a locului de instalare și a utilizării.

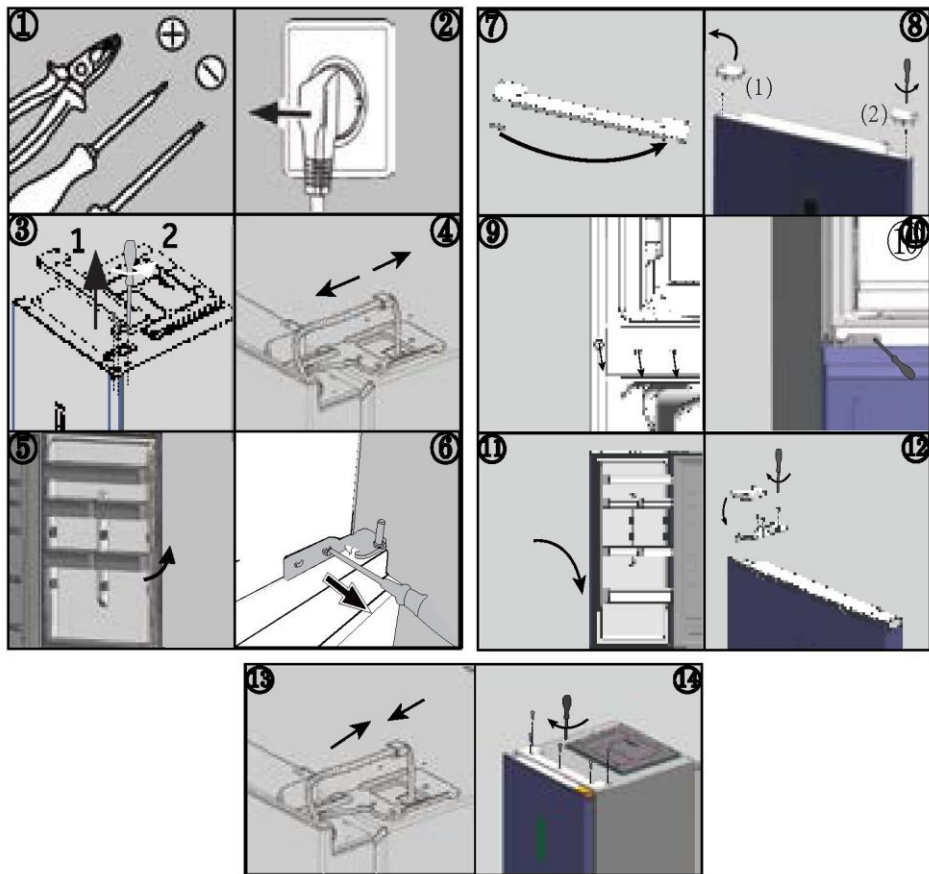


AVERTIZARE!

- ▶ Aparatul este greu. Sunt necesare două persoane pentru efectuarea operației de reversibilitate a ușii.
- ▶ Înainte de orice operațiune, deconectați aparatul de la rețeaua de alimentare
- ▶ Nu înclinați aparatul la un unghi mai mare de 45°, pentru a împiedica deteriorarea sistemului frigorific.

Etapele de asamblare

1. Asigurați instrumentele necesare.
 2. Deconectați aparatul.
 3. Scoateți capacul balamalei superioare (1) și deșurubați balamaua superioară (trei șuruburi) de pe partea dreaptă (2).
 4. Deconectați cablul de conectare.
 5. Ridicați cu atenție ușa slăbită a frigiderului de pe balamaua din mijloc.
 6. Îndepărtați balamaua din mijloc.
 7. Scoateți capacul mic din panoul frontal de la stânga la dreapta.
 8. Întoarceți ușa cu susul în jos și deșurubați capacul (1). Scoateți noul capac (2) din punga necesară și înșurubați-l pe partea opusă.
 9. Schimbați pozițiile dopurilor de acoperire și a șurubului lateral.
 10. Înșurubați balamaua din mijloc pe partea stângă a aparatului. Acordați atenție inversării pivotului balamalei din mijloc, asigurându-vă că partea cu garnitura este orientată în sus.
 11. Ridicați cu grijă ușa superioară de pe balamaua din mijloc. Și asigurați-vă că pivotul se potrivește în cilindrul balamalei ușii inferioare.
 12. Scoateți noua balama superioară și capacul balamalei din punga cu accesorii. Treceți cablul de conectare prin balamaua superioară și prindeți balamaua superioară cu cele trei șuruburi de partea stângă a aparatului. Apoi, puneți capacul balamalei peste balama.
 13. Conectați cablul de conectare.
 14. Puneți la loc panoul frontal și fixați-l cu cinci șuruburi.
- După schimbarea poziției ușii, verificați dacă garniturile ușii sunt amplasate corect pe carcasă și toate șuruburile sunt bine strânse.



Temperaturi ambientale

Temperată extinsă: acest aparat frigorific este proiectat pentru utilizarea la temperaturi ambientale cuprinse între 10 °C și 32 °C;

Temperată: acest aparat frigorific este proiectat pentru utilizarea la temperaturi ambientale cuprinse între 16 °C și 32 °C;

Subtropicală: acest aparat frigorific este proiectat pentru utilizarea la temperaturi ambientale cuprinse între 16 °C și 38 °C;

Tropicală: acest aparat frigorific este proiectat pentru utilizarea la temperaturi ambientale cuprinse între 16 °C și 43 °C;



Parametrii produsului în conformitate cu Reglementarea (UE) 2019/2016

Pe baza rezultatelor testului standard timp de 24 de ore. Consumul efectiv de energie va depinde de modul de utilizare a aparatului și de amplasarea acestuia

Model	HTW5618DN*	HTW5620DN*	HTW5618EN*
Tipul de aparat frigorific	Combină frigorifică	Combină frigorifică	Combină frigorifică
Clasa de eficiență energetică	D	D	E
Consumul anual de energie (kWh/annum)	217	226	271
Volumul compartimentului frigiderului (L)	201	255	201
Volumul compartimentului congelatorului (L)	125	125	125
Volumul compartimentului răcitorului (L)	34	34	34
Clasa de congelare	4-star	4-star	4-star
Tipul de dezghețare	Dezghețare automată	Dezghețare automată	Dezghețare automată
Timpul necesar creșterii temperaturii (h)	13	13	11
Capacitatea de congelare (kg/24 h)	10,0	10,0	10,0
Clasa de climat	SN.N.ST.T	SN.N.ST.T	SN.N.ST.T
Clasa de emisii sonore și emisii de zgomote acustice aeropurtate (dB(A) re 1pW)	B(35)	B(35)	B(35)



Model	HTW5618CN*	HTW5620CN*	HTW5620EN*
Tipul de aparat frigorific	Combină frigorifică	Combină frigorifică	Combină frigorifică
Clasa de eficiență energetică	C	C	E
Consumul anual de energie (kWh/annum)	173	181	283
Volumul compartimentului frigiderului (L)	201	255	255
Volumul compartimentului congelatorului (L)	125	125	125
Volumul compartimentului răcitorului (L)	34	34	34
Clasa de congelare	4-star	4-star	4-star
Tipul de dezghețare	Dezghețare automată	Dezghețare automată	Dezghețare automată
Timpu necesar creșterii temperaturii (h)	13	13	11
Capacitatea de congelare (kg/24 h)	10.0	10.0	10.0
Clasa de climat	SN.N.ST.T	SN.N.ST.T	SN.N.ST.T
Clasa de emisii sonore și emisii de zgomote acustice aeropurtate (dB(A) re 1pW)	B(35)	B(35)	B(35)



Model	HDPW5618DN*	HDPW5620DN*	HDPW3620DN*
Tipul de aparat frigorific	Combină frigorifică	Combină frigorifică	Combină frigorifică
Clasa de eficiență energetică	D	D	D
Consumul anual de energie (kWh/annum)	214	220	220
Volumul compartimentului frigiderului (L)	201	255	255
Volumul compartimentului congelatorului (L)	117	117	117
Volumul compartimentului răcitorului (L)	34	34	34
Clasa de congelare	4-star	4-star	4-star
Tipul de dezghețare	Dezghețare automată	Dezghețare automată	Dezghețare automată
Timpul necesar creșterii temperaturii (h)	13	13	13
Capacitatea de congelare (kg/24 h)	10.0	10.0	10.0
Clasa de climat	SN.N.ST.T	SN.N.ST.T	SN.N.ST.T
Clasa de emisii sonore și emisii de zgomote acustice aeropurtate (dB(A) re 1pW)	B(35)	B(35)	B(35)



Model	HDPW3618DN*	HDPW5620CN*	HTW3620DN*
Tipul de aparat frigorific	Combină frigorifică	Combină frigorifică	Combină frigorifică
Clasa de eficiență energetică	D	C	D
Consumul anual de energie (kWh/annum)	214	176	226
Volumul compartimentului frigiderului (L)	201	255	255
Volumul compartimentului congelatorului (L)	117	117	125
Volumul compartimentului răcitorului (L)	34	34	34
Clasa de congelare	4-star	4-star	4-star
Tipul de dezghețare	Dezghețare automată	Dezghețare automată	Dezghețare automată
Timpu necesar creșterii temperaturii (h)	13	13	13
Capacitatea de congelare (kg/24 h)	10,0	10,0	10,0
Clasa de climat	SN.N.ST.T	SN.N.ST.T	SN.N.ST.T
Clasa de emisii sonore și emisii de zgomote acustice aeropurtate (dB(A) re 1pW)	B(35)	B(35)	B(35)

Model	HDPW5618CN*	HDPW5620CN*	HDPW5620AN*
Tipul de aparat frigorific	Combină frigorifică	Combină frigorifică	Combină frigorifică
Clasa de eficiență energetică	C	C	A
Consumul anual de energie (kWh/annum)	171	176	114
Volumul compartimentului frigiderului (L)	201	255	255
Volumul compartimentului congelatorului (L)	117	117	120
Volumul compartimentului răcitorului (L)	34	34	34
Clasa de congelare	4-star	4-star	4-star
Tipul de dezghețare	Dezghețare automată	Dezghețare automată	Dezghețare automată
Timpul necesar creșterii temperaturii (h)	13	13	16
Capacitatea de congelare (kg/24 h)	10,0	10,0	10,0
Clasa de climat	SN.N.ST.T	SN.N.ST.T	SN.N.ST.T
Clasa de emisii sonore și emisii de zgomote acustice aeropurtate (dB(A) re 1 pW)	B(35)	B(35)	B(35)



Date tehnice suplimentare

Model	HTW5618DN*	HTW5618EN*	HTW5620DN*
Volumul total (l)	360	360	414
Tensiune/Frecvență	220-240V/50Hz	220-240V/50Hz	220-240V/50Hz
curentul de intrare (A)	1,4	1,4	1,4
Siguranța principală (A)	16	16	16
Agent frigorific	R600a(53g)	R600a(53g)	R600a(53g)
Dimensiuni (L/A/Î în mm)	595*667*1850	595*667*1850	595*667*2050

Model	HTW5618CN*	HTW5620CN*	HTW5620EN*
Volumul total (l)	360	414	414
Tensiune/Frecvență	220~240V/50Hz	220~240V/50Hz	220~240V/50Hz
curentul de intrare (A)	1,4	1,4	1,4
Siguranța principală (A)	15	15	16
Agent frigorific	R600a(50g)	R600a(50g)	R600a(53g)
Dimensiuni (L/A/Î în mm)	595*667*1850	595*667*2050	595*667*2050



Model	HDPW5618DN*	HDPW5620DN*	HDPW3620DN*
Volumul total (l)	352	406	406
Tensiune/Frecvență	220~240V/50Hz	220~240V/50Hz	220~240V/50Hz
curentul de intrare (A)	1,4	1,4	1,4
Siguranța principală (A)	16	16	16
Agent frigorific	R600a(53g)	R600a(53g)	R600a(53g)
Dimensiuni (L/A/Î în mm)	595*667*1850	595*667*2050	595*667*2050

Model	HDPW5618CN*	HDPW5620CN*	HDPW5620AN*
Volumul total (l)	352	406	409
Tensiune/Frecvență	220-240V/50Hz	220-240V/50Hz	220-240V/50Hz
curentul de intrare (A)	1,4	1,4	1,4
Siguranța principală (A)	15	15	15
Agent frigorific	R600a(50g)	R600a(50g)	R600a(50g)
Dimensiuni (L/A/Î în mm)	595*667*1850	595*667*2050	595*667*2050



Model	HDPW5618CN*	HDPW5620CN*	HDPW5620AN*
Volumul total (l)	352	406	409
Tensiune/Frecvență	220~240V/50Hz	220~240V/50Hz	220~240V/50Hz
curentul de intrare (A)	1.4	1.4	1.4
Siguranța principală (A)	15	15	16
Agent frigorific	R600a(50g)	R600a(50g)	R600a(50g)
Dimensiuni (L/A/Î în mm)	595*667*1850	595*667*2050	595*667*2050



Vă recomandăm să apelați la serviciul pentru clienți Haier și să utilizați piese de schimb originale.

Dacă aveți o problemă cu aparatul, consultați mai întâi secțiunea DEPANARE.

Dacă nu găsiți nicio soluție acolo, contactați

- ▶ distribuitorul local sau
- ▶ Centrul nostru european de servicii telefonice (vedeți numerele de telefon enumerate mai jos) sau
- ▶ zona Service și Asistență pe www.haier.com, unde puteți activa cererea de service și găsi, de asemenea, întrebări frecvente.

Pentru contactarea serviciului nostru, asigurați-vă că aveți următoarele date. Informațiile pot fi găsite pe plăcuța cu date tehnice.

Model _____

Nr. serie _____

De asemenea, verificați și fișa de garanție furnizată cu produsul, în cazul garanției.

Centrul european de servicii telefonice		
Țara*	Număr de telefon	Costuri
Haier Italy (IT)	199 100 912	
Haier Spain (ES)	902 509 123	
Haier Germany (DE)	0180 5 39 39 99	<ul style="list-style-type: none"> • 14 Ct/min de pe telefon fix • max 42 Ct/Min de pe mobil
Haier Austria (AT)	0820 001 205	<ul style="list-style-type: none"> • 14,53 Ct/min de pe telefon fix • max 20Ct/Min de pe toate celelalte
Haier United Kingdom (UK)	0333 003 8122	
Haier France (FR)	0980 406 409	



* Pentru alte țări, consultați www.haier.com

Haier Europe Trading S.r.l

Filiala Marea Britanie

Westgate House, Westgate, Ealing

Londra, W5 1YY

*Durata garanției aparatului frigorific:

Garanția minimă este de: 2 ani pentru țările din UE, 3 ani pentru Turcia, 1 an pentru Marea Britanie, 1 an pentru Rusia, 3 ani pentru Suedia, 2 ani pentru Serbia, 5 ani pentru Norvegia, 1 an pentru Maroc, 6 luni pentru Algeria, Tunisia nu necesită nicio garanție legală.

* Perioada de piese de schimb pentru repararea aparatului:

Termostatele, senzorii de temperatură, plăcile cu circuite imprimate și sursele de lumină sunt disponibile timp de o perioadă minimă de șapte ani de la punerea pe piață a ultimei unități a modelului.

Mânerile de uși, balamalele de uși, tăvile și coșurile, timp de o perioadă minimă de șapte ani, iar garniturile de uși timp de o perioadă minimă de 10 ani de la punerea pe piață a ultimei unități a modelului.

*Pentru mai multe informații despre produs, vă rugăm consultați

<https://eprel.ec.europa.eu/> sau scanați codul QR de pe eticheta energetică furnizată cu aparatul.



Haier

2023 Versiunea A



0060534356

<u>5 Turvallisuusohjeet</u>	<u>Ennen ensimmäistä käyttöä</u>	6
	<u>Asennus</u>	6
	<u>Päivittäinen käyttö</u>	7
<u>10 Käyttötarkoitus</u>		
<u>11 Tuotekuvaus</u>		
<u>15 Ohjauspaneeli</u>		
<u>16 Käyttö</u>	<u>Jääkaapin lämpötilan säätäminen</u>	17
	<u>Pakastimen lämpötilan säätäminen</u>	17
	<u>My Zone -laatikon lämpötilan säätäminen</u>	17
	<u>Super-Cool-toiminto</u>	18
	<u>Super Frz -toiminto</u>	19
<u>24 Varusteet</u>		
<u>28 Energiansäästövinkejä</u>		
<u>29 Hoito ja puhdistus</u>		
<u>32 Vianmääritys</u>		
<u>36 Asennus</u>		
<u>40 Tekniset tiedot</u>		
<u>46 Asiakaspalvelu</u>		
	Näet yksityiskohtaiset tiedot napsauttamalla sisällysluettelon kohtaa.	





Kiitos, että ostit Haier-tuotteen.

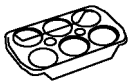
Lue nämä ohjeet huolellisesti ennen laitteen käyttöä. Ohjeet sisältävät tärkeitä tietoja, jotka auttavat sinua saamaan parhaan hyödyn laitteesta ja varmistamaan turvallisen ja asianmukaisen asennuksen, käytön ja huollon.

Säilytä tätä ohjekirjaa kätevässä paikassa, jotta voit aina tutustua siihen laitteen turvallisen ja asianmukaisen käytön varmistamiseksi.

Jos myyt laitteen, annat sen pois tai et ota sitä mukaan, kun muutat, varmista, että tämä käyttöopas pysyy aina laitteen mukana, jotta uusi omistaja voi tutustua laitteeseen ja turvallisuusvaroituksiin.

Lisävarusteet

Tarkista lisävarusteet ja kirjallisuus tämän luettelon mukaisesti:



Munatarjotin



Energiamerkintä



Takuukortti



Käyttöopas



Jääpalamuotti



Ovisaranat



Saranan suoja



Suojus

**VAROITUS – Tärkeää turvallisuustietoa****HUOMAUTUS – Yleistä tietoa ja vinkkejä****Ympäristötiedot****Hävittäminen**

Auta suojelemaan ympäristöä ja ihmisten terveyttä. Laita pakkausmateriaalit asianmukaisiin astioihin niiden kierrättämiseksi. Auta kierrättämään sähkö- ja elektroniikkalaiteromua. Älä hävitä tällä symbolilla merkittyjä laitteita talousjätteen mukana. Palauta tuote paikalliseen kierrätyslaitokseen tai ota yhteyttä paikalliseen viranomaiseen.

**VAROITUS!**

Loukkaantumis- tai tukehtumisvaara!

Kylmäaineet ja kaasut on hävitettävä ammattimaisesti. Varmista ennen oikeanlaista hävittämistä, että kylmäainepiirin letku ei ole vaurioitunut. Irrota laite verkkovirrasta. Katkaise verkkokaapeli ja hävitä se. Irrota telineet ja laatikot sekä oven salpa ja tiivisteet, jotta lapset ja lemmikit eivät voi jäädä loukkuun laitteen sisään.



Lue seuraavat turvallisuusohjeet, ennen kuin kytket laitteen päälle ensimmäistä kertaa:



VAROITUS!

Ennen ensimmäistä käyttöä

- ▶ Varmista, ettei kuljetusvaurioita ole.
- ▶ Poista kaikki pakkaukset ja pidä ne poissa lasten ulottuvilta.
- ▶ Odota vähintään kaksi tuntia ennen laitteen asentamista varmistaaksesi, että kylmäainepiiri on täysin toimintavalmis.
- ▶ Laite on painava ja sen vuoksi sen käsittelemiseen tarvitaan aina vähintään kaksi henkilöä.

Asennus

- ▶ Laite on sijoitettava hyvin ilmastoituun paikkaan. Varmista, että laitteen yläpuolella ja ympärillä on tilaa vähintään 10 cm.
- ▶ Älä koskaan aseta laitetta kosteaan paikkaan tai paikkaan, jossa sen päälle voi roiskua vettä. Puhdista ja kuivaa vesiroiskeet ja tahrat pehmeällä puhtaalla liinalla.
- ▶ Älä asenna laitetta suoraan auringonvaloon tai lämmönlähteiden läheisyyteen (esim. uunit, lämmittimet).
- ▶ Asenna laitteen jalat ja säädä niitä tarpeen mukaan niin, että laite on tasapainossa ja tasaisesti. Asennuspaikan on oltava sopivan kokoinen ja sovelluttava laitteen käyttötarkoitukseen.
- ▶ Pidä laitteen koteloinnin tai rakenteelliset tuuletusaukot vapaina esteistä.
- ▶ Varmista, että laitteen arvokilvessä ilmoitetut sähkö tiedot vastaavat käytettävissä olevaa virransyöttöä. Jos näin ei ole, ota yhteyttä sähköasentajaan.
- ▶ Verkkoiliäntä: 220–240 V, 50 Hz. Epänormaali jännitevaihtelu voi estää laitteen käynnistymisen tai vaurioittaa lämpötilan säätöä tai kompressoria tai aiheuttaa epänormaalia käyntiääntä. Tässä tapauksessa laitteeseen on asennettava automaattinen jännitteensäädin.
- ▶ Älä käytä monipistokesovittimia ja jatkokapeleita.
- ▶ Älä jätä monipistokkeisia jatkojohtoja äläkä siirrettäviä virtalähteitä laitteen taakse.
- ▶ Varmista, että virtajohto ei jää jääkaapin alle. Älä astu virtajohtojen päälle.



VAROITUS!

- ▶ Käytä erillistä maadoitettua pistorasiaa, joka on helposti saatavilla. Laitte on maadoitettava.
Vain Iso-Britannia: Laitteen virtajohtoon on liitetty 3-haarainen (maadoitettu) pistoke, joka sopii 3-haaraiseen (maadoitettuun) pistorasiaan. Kolmatta tappia (maadoitus) ei koskaan saa leikata pois tai poistaa jollakin muulla tavalla. Pistoke tulisi olla käytettävissä laitteen asennuksen jälkeen.

- ▶ Älä vaurioita kylmäainepiiriä.

Päivittäinen käyttö

- ▶ Vähintään 8-vuotiaat lapset ja henkilöt, joiden fyysiset, aisteihin liittyvät tai henkiset kyvyt ovat alentuneet tai joilla ei ole aiheeseen liittyvää kokemusta ja tietoa, voivat käyttää laitetta edellyttäen, että heitä valvotaan tai heille annetaan ohjeet laitteen käyttöön turvallisella tavalla ja he ymmärtävät vaaratekijät.
- ▶ 3–8-vuotiaat lapset saavat täyttää ja tyhjentää laitteita, mutta he eivät saa puhdistaa tai asentaa niitä.
- ▶ Pidä alle 3-vuotiaat lapset poissa laitteen lähetyviltä, ellei heitä valvota jatkuvasti.
- ▶ Lapset eivät saa leikkiä laitteella.
- ▶ Jos jäähdytettyä kaasua tai jotakin muuta syttyvää kaasua vuotaa laitteen läheisyydessä, sammuta vuotavan kaasun venttiili, avaa ovet ja ikkunat äläkä irrota jääkaapin tai minkään muun laitteen virtajohtoa.
- ▶ Huomaa, että laite on asetettu toimimaan tietyllä ympäristön lämpötila-alueella (10–43 °C). Laitte ei välttämättä toimi oikein, jos se on pidemmän aikaa lämpötilassa, joka ylittää tai alittaa ilmoitetun vaihteluvälin.
- ▶ Älä laita kylmälaitteen päälle epävakaita esineitä (esimerkiksi raskaita esineitä tai vedellä täytettyjä astioita). Näin voit välttää onnettomuudet, jotka voisivat aiheutua esineiden tippumisesta käyttäjän päälle, tai sähköiskusta kosketuksesta veteen.
- ▶ Älä vedä ovihyllyistä. Ovi voi mennä vinoon, pulloteline voi irrota tai kylmälaite voi kaatua.
- ▶ Avaa ja sulje ovet vain käyttämällä kahvoja. Väli ovien välillä sekä ovien ja kaapin välillä on hyvin kapea. Älä laita käsiäsi tällaisiin paikkoihin, jotta sormesi eivät joudu puristuksiin. Avaa tai sulje jääkaapin ovet vain silloin, kun oven liikkumisalueella ei ole lapsia.



VAROITUS!

- ▶ Älä säilytä tai käytä syttyviä, räjähtäviä tai syövyttäviä aineita laitteessa tai sen läheisyydessä.
- ▶ Älä säilytä laitteessa lääkkeitä, bakteereita tai kemiallisia aineita. Tämä laite on kodinkone. Laitteessa ei ole suositeltavaa säilyttää materiaaleja, jotka vaativat tarkkoja lämpötiloja.
- ▶ Älä koskaan säilytä nesteitä pulloissa tai tölkeissä (lukuun ottamatta väkeviä alkoholijuomia) ja erityisesti hiilihapotettuja juomia, koska ne rikkoutuvat pakastuksen aikana.
- ▶ Tarkista ruoan kunto, jos pakastimessa on tapahtunut lämpenemistä.
- ▶ Älä aseta jääkaapin lämpötilaa tarpeettoman alhaiseksi. Miinuslämpötiloja voi esiintyä erittäin kylmillä asetuksilla. Huomio: Pullot voivat rikkoutua
- ▶ Älä koske jäätyneisiin tuotteisiin märin käsin (käytä käsineitä). Erityisesti mehujäätä ei tulisi syödä heti sen jälkeen, kun se on otettu ulos pakastinosastosta. On olemassa paleltumisen tai rakkuloiden muodostumisen riski. ENSIAPU: Huuhtele kohtaa välittömästi juoksevalla kylmällä vedellä. Älä keskeytä huuhtelua!
- ▶ Älä koske pakastimen säilytyslokeron sisäpintaa, kun pakastin on käynnissä. Tätä ei tulisi tehdä etenäkään märin käsin, koska kädet saattavat jäätyä pintaan kiinni.
- ▶ Irrota laite pistorasiasta sähkökatkoksen sattuessa tai ennen puhdistusta. Odota vähintään 7 minuuttia ennen kuin käynnistät laitteen uudelleen, sillä usein tapahtuvat uudelleenkäynnistykset voivat vahingoittaa kompressoria.
- ▶ Älä käytä sähkölaitteita laitteen ruoansäilytystiloissa mikäli ne eivät ole valmistajan suosittelemia. Huolto / puhdistus
- ▶ Varmista, että lapsia valvotaan, jos he suorittavat puhdistuksen ja huollon.
- ▶ Irrota laite virtalähteestä ennen rutiinihuoltoa. Odota vähintään 5 minuuttia ennen kuin käynnistät laitteen uudelleen, sillä usein tapahtuvat uudelleenkäynnistykset voivat vahingoittaa kompressoria.



VAROITUS!

- ▶ Pidä kiinni pistokkeesta, ei kaapelista, kun irrotat laitteen pistorasiasta.
- ▶ Älä puhdista laitetta käyttämällä kovia harjoja, teräsharjoja, pesuainejauhetta, bensiniä, amyyliasetaattia, asetonia ja vastaavia orgaanisia liuoksia tai happamia tai emäksisiä liuoksia. Vältä vauriot puhdistamalla erityisellä jääkaapin pesuaineella.
- ▶ Älä raaputa huurretta ja jäätä pois terävillä esineillä. Älä käytä suihkeita, sähkölämmittimiä, kuten lämmitintä, hiustenkuivaajaa tai höyrypuhdistimia, tai muita lämmönlähteitä muovisten osien vaurioitumisen välttämiseksi.
- ▶ Älä yritä nopeuttaa sulatusta käyttämällä mekaanisia laitteita tai muita keinoja, lukuun ottamatta laitteen valmistajan suosittelemia menetelmiä.
- ▶ Jos virtajohto on vaurioitunut, sen saa vaaran välttämiseksi vaihtaa valmistaja, valmistajan huoltoedustaja tai vastaava ammattitaitoinen.
- ▶ Älä yritä korjata, purkaa tai muokata laitetta itse. Jos laite on korjattava, ota yhteyttä asiakaspalveluumme.
- ▶ Poista laitteen takana oleva pöly vähintään kerran vuodessa välttääksesi palovaaran ja lisääntyneen energiankulutuksen.
- ▶ Älä suihkuta tai huuhtelee laitetta puhdistuksen aikana.
- ▶ Älä käytä vesisuihkua tai höyryä laitteen puhdistamiseen.
- ▶ Älä puhdista kylmiä lasihyllyjä kuumalla vedellä. Nopeat lämpötilanmuutokset voivat aiheuttaa lasin rikkoutumisen.

Tietoa kylmäaineesta



VAROITUS!

Laitte sisältää syttyvää kylmäainetta, jonka nimi on isobutaani (R600a). Varmista, että kylmäainepiiri ei ole vaurioitunut kuljetuksen tai asennuksen aikana. Vuotava kylmäaine voi aiheuttaa silmävammoja tai syttyä. Jos vaurioita on tapahtunut, pidä poissa avoimet palonlähteet, tuuleta huone huolellisesti, älä kytke tai irrota laitteen tai minkään muun laitteen virtajohtoja. Ilmoita asiasta asiakaspalveluun.

Jos silmät joutuvat kosketuksiin kylmäaineen kanssa, huuhtelee ne välittömästi juoksevan veden alla ja ota välittömästi yhteyttä silmälääkäriin.



Käyttötarkoitus

Tämä laite on tarkoitettu ruoan jäähdyttämiseen ja pakastamiseen. Se on tarkoitettu käytettäväksi yksinomaan kotitalouksissa ja vastaavissa olosuhteissa, kuten henkilökunnan keittiötiloissa myymälöissä, toimistoissa ja muissa vastaavissa, maataloissa sekä hotellien, motellien ja muiden vastaavien asuinympäristöjen asiakkaiden käytössä ja aamiaismajoituksissa (Bed&Breakfast) sekä catering-liiketoiminnassa. Sitä ei ole tarkoitettu kaupalliseen tai teolliseen käyttöön. Laitteen muuttaminen tai muokkaaminen ei ole sallittua. Käyttö ohjeiden vastaisella tavalla voi aiheuttaa vaaroja. Voit myös menettää oikeuden takuuseen perustuvien korvausvaatimusten tekemiseen.

Standardit ja direktiivit **CE**

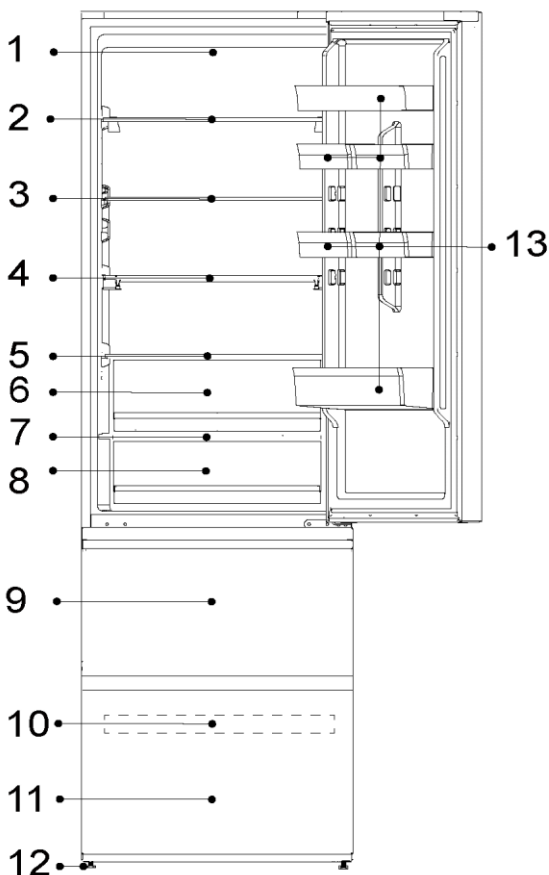
Tämä tuote täyttää kaikkien sovellettavien EY-direktiivien vaatimukset vastaavilla yhdenmukaistetuilla standardeilla, joissa säädetään CE-merkinnästä.



i HUOMAUTUS

Teknisten muutosten ja erilaisten mallien vuoksi jotkin tämän käyttöohjeen kuvista saattavat poiketa mallista.

(HTW5620EN*, HTW5620DN*, HTW5620CN*)



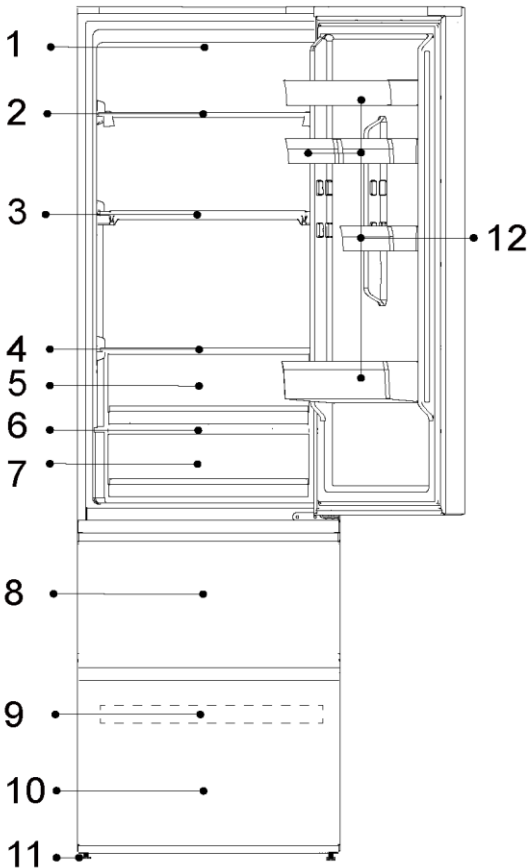
- 1-Jääkaapin LED-lamppu
- 2-Viinilinet
- 3-Lasihylly
- 4-Taitettava hylly
- 5-Humidity Zone -laatikon kansi
- 6-Humidity Zone -laatikko
- 7-My Zone -laatikon kansi
- 8-My Zone -laatikko
- 9-Pakastimen ylempi säilytyslaatikko
- 10-Pakastinhylly
- 11-Pakastimen alempi säilytyslaatikko
- 12-Säädettävät jalat
- 13-Ovihylly



HUOMAUTUS

Teknisten muutosten ja erilaisten mallien vuoksi jotkin tämän käyttöohjeen kuvista saattavat poiketa mallista.

(HTW5618DN*, HTW5618CN*, HTW5618EN*)



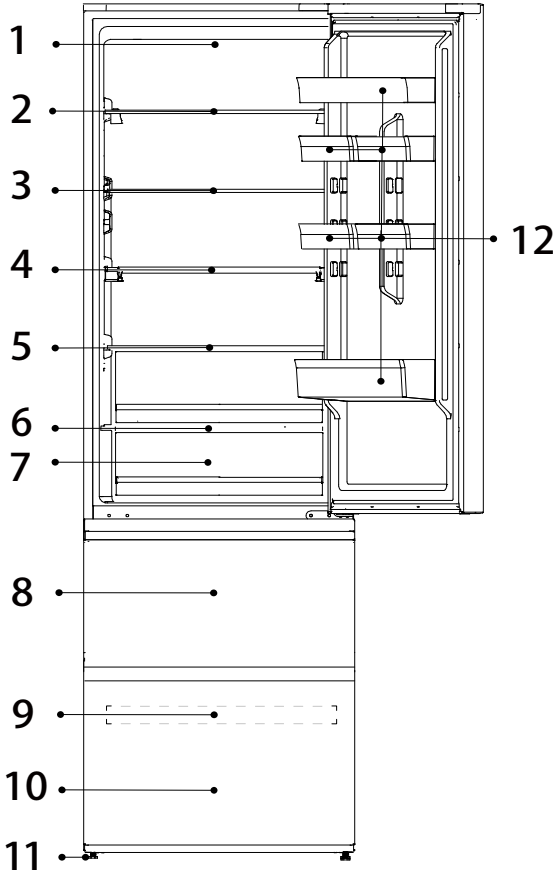
- 1-Jääkaapin LED-lamppu
- 2-Viiniteline
- 3-Taitettava hylly
- 4-Humidity Zone -laatikon kansi
- 5-Humidity Zone -laatikko
- 6-My Zone -laatikon kansi
- 7-My Zone -laatikko
- 8-Pakastimen ylempi säilytyslaatikko
- 9-Pakastinhylly
- 10-Pakastimen alempi säilytyslaatikko
- 11-Säädettävät jalat
- 12-Ovihylly



HUOMAUTUS

Teknisten muutosten ja erilaisten mallien vuoksi jotkin tämän käyttöohjeen kuvista saattavat poiketa mallista.

(HTW3620EN*, HTW3620DN*, HTW3620CN*)



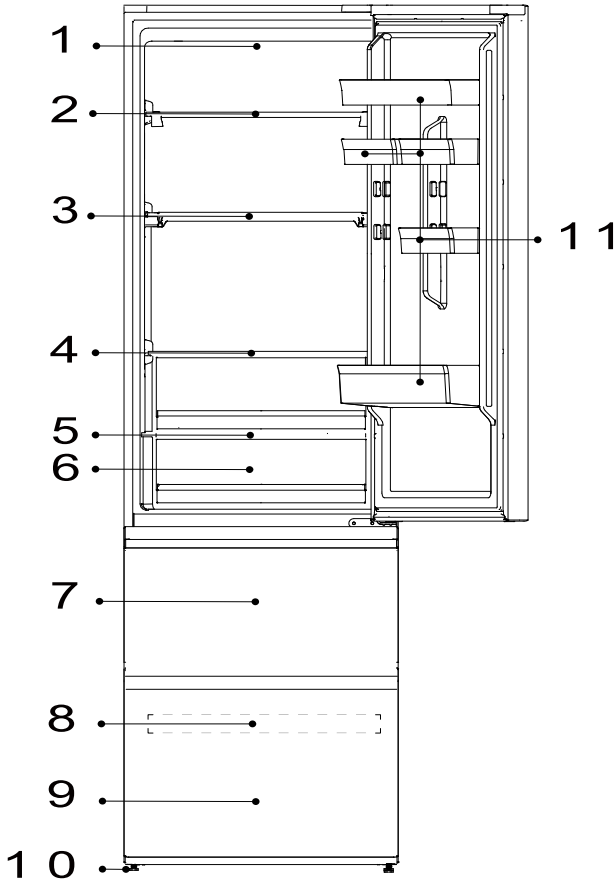
- 1-Jääkaapin LED-lamppu
- 2-Lasihylly
- 3-Lasihylly
- 4-Lasihylly
- 5-Lasihylly
- 6-My Zone -laatikon kansi
- 7-My Zone -laatikko
- 8-Pakastimen ylempi säilytyslaatikko
- 9-Pakastinhylly
- 10-Pakastimen alempi säilytyslaatikko
- 11-Säädettävät jalat
- 12-Ovihylly



HUOMAUTUS

Teknisten muutosten ja erilaisten mallien vuoksi jotkin tämän käyttöohjeen kuvista saattavat poiketa mallista.

(HTW3618EN*, HTW3618DN*, HTW3618CN*)



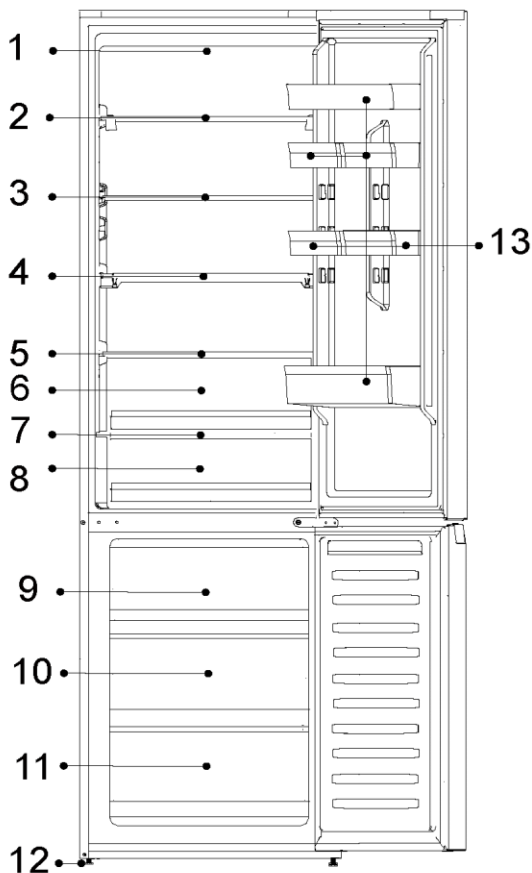
- 1-Jääkaapin LED-lamppu
- 2-Lasihylly
- 3-Lasihylly
- 4-Lasihylly
- 5-My Zone -laatikon kansi
- 6-My Zone -laatikko
- 7-Pakastimen ylempi säilytyslaatikko
- 8-Pakastinhylly
- 9-Pakastimen alempi säilytyslaatikko
- 10-Säädettävät jalat
- 11-Ovihylly



i HUOMAUTUS

Teknisten muutosten ja erilaisten mallien vuoksi jotkin tämän käyttöohjeen kuvista saattavat poiketa mallista.

(HDPW5620DN*, HDPW5620CN*, HDPW5620BN*, HDPW5620AN*)



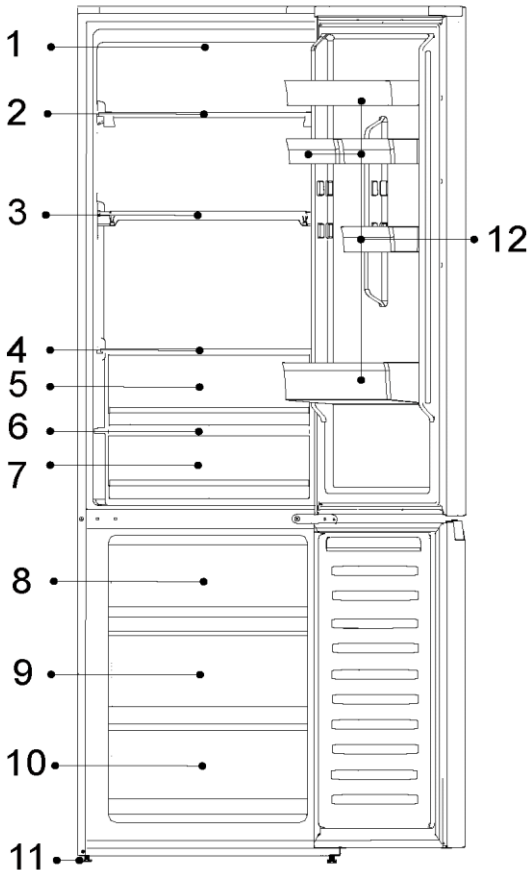
- 1-Jääkaapin LED-lamppu
- 2-Viiniteline
- 3-Lasihylly
- 4-Taitettava hylly
- 5-Humidity Zone -laatikon kansi
- 6-Humidity Zone -laatikko
- 7-My Zone -laatikon kansi
- 8-My Zone -laatikko
- 9-Pakastimen ylempi säilytyslaatikko
- 10-Pakastimen keskimäinen säilytyslaatikko
- 11-Pakastimen alempi säilytyslaatikko
- 12-Säädettävät jalat
- 13-Ovihylly



HUOMAUTUS

Teknisten muutosten ja erilaisten mallien vuoksi jotkin tämän käyttöohjeen kuvista saattavat poiketa mallista.

(HDPW5618DN*, HDPW5618CN*)

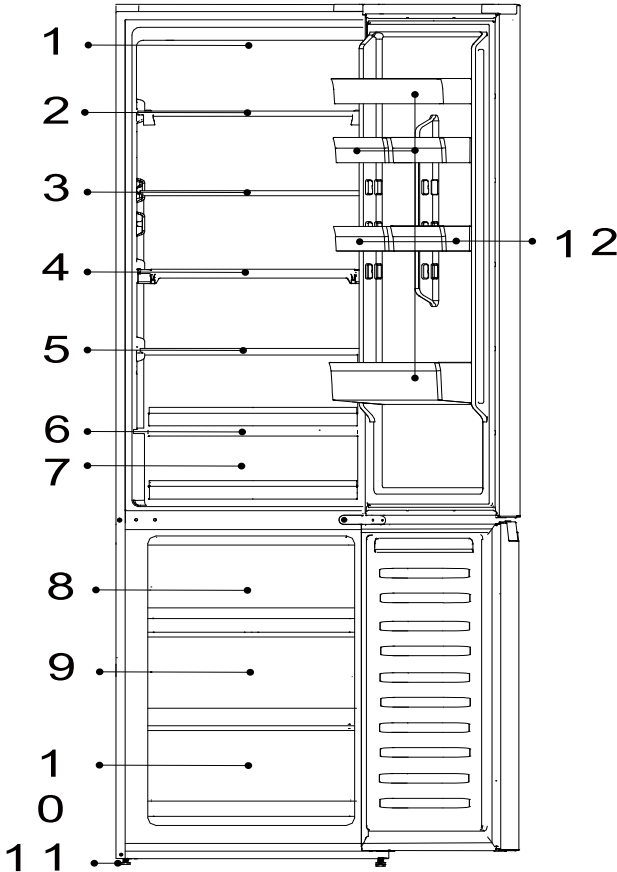


- 1-Jääkaapin LED-lamppu
- 2-Viinilinelin
- 3-Taitettava hylly
- 4-Humidity Zone -laatikon kansi
- 5-Humidity Zone -laatikko
- 6-My Zone -laatikon kansi
- 7-My Zone -laatikko
- 8-Pakastimen ylempi säilytyslaatikko
- 9-Pakastimen keskimäinen säilytyslaatikko
- 10-Pakastimen alempi säilytyslaatikko
- 11-Säädettävät jalat
- 12-Ovihylly



HUOMAUTUS

Teknisten muutosten ja erilaisten mallien vuoksi jotkin tämän käyttöohjeen kuvista saattavat poiketa mallista.
(HDPW3620DN*, HDPW3620CN*)

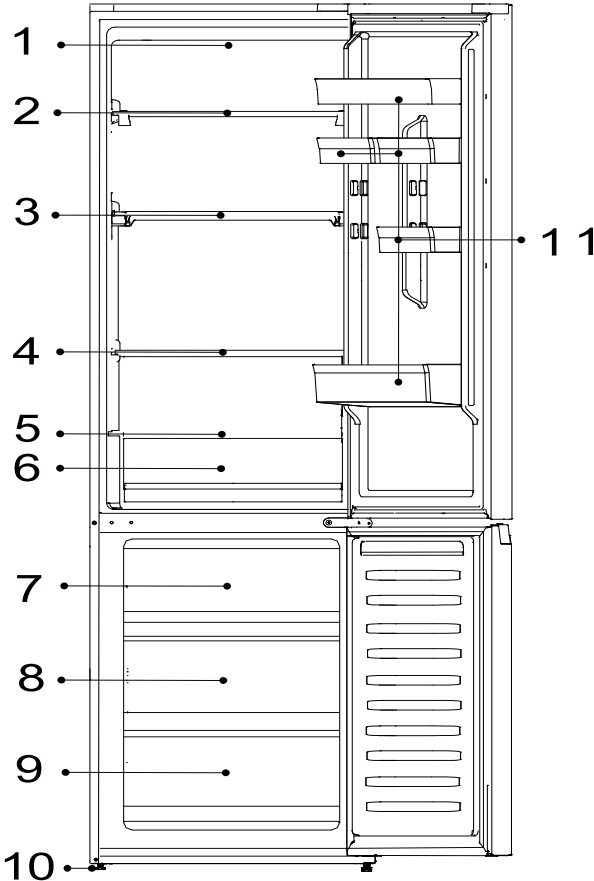


- 1-Jääkaapin LED-lamppu
- 2-Lasihylly
- 3-Lasihylly
- 4-Lasihylly
- 5-Lasihylly
- 6-My Zone -laatikon kansi
- 7-My Zone -laatikko
- 8-Pakastimen ylempi säilytyslaatikko
- 9-Pakastinhylly
- 10-Pakastimen alempi säilytyslaatikko
- 11-Säädettävät jalat
- 12-Ovihylly



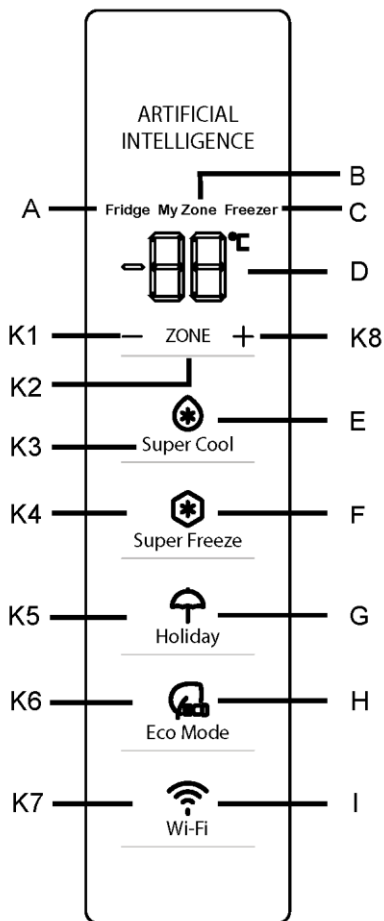
HUOMAUTUS

Teknisten muutosten ja erilaisten mallien vuoksi jotkin tämän käyttöohjeen kuvista saattavat poiketa mallista.
(HDPW3618DN*, HDPW3618CN*)



- 1-Jääkaapin LED-lamppu
- 2-Lasihylly
- 3-Lasihylly
- 4-Lasihylly
- 5-My Zone -laatikon kansi
- 6-My Zone -laatikko
- 7-Pakastimen ylempi säilytyslaatikko
- 8-Pakastinhylly
- 9-Pakastimen alempi säilytyslaatikko
- 10-Säädettävät jalat
- 11-Ovihylly

Ohjauspaneeli



Merkkivalot:

- A Jääkaappiosasto
- B Jäähdytyslokeron (My Zone)
- C Pakastinosasto
- D Lämpötilänäyttö
- E Super Cool -toiminto
- F Super Freeze -toiminto
- G Holiday-toiminto
- H Eco-tila
- I Wi-Fi-toiminto

Painikkeet:

- K1 Laske lämpötilaa
- K2 Valitsin: Jääkaappi, My Zone ja Pakastin
- K3 Super Cool -toiminto päällä/pois päältä
- K4 Super Freeze -toiminto päällä/pois päältä
- K5 Holiday-toiminto päällä/pois päältä
- K6 Eco-tila päällä/pois päältä
- K7 Wi-Fi-toiminto päällä/pois päältä
- K8 Nosta lämpötilaa

Ennen ensimmäistä käyttöä

Poista kaikki pakkausmateriaalit, pidä ne poissa lasten ulottuvilta ja hävitä ne ympäristöystävällisesti.

Puhdista laitteen sisä- ja ulkopuoli sekä sisäosat ja lisävarusteet vedellä ja miedolla pesuaineella ja kuivaa se hyvin pehmeällä liinalla.

Kun laite on vaakasuorassa ja puhdistettu, odota vähintään 2 tuntia ennen kuin kytket sen virtalähteeseen. Katso kohta ASENNUS.

Esijäähdytä lokerot käyttämällä kylmiä asetuksia, ennen kuin täytät ne ruoalla.

Super Freeze -toiminto auttaa jäähdyttämään pakastimen nopeasti.



Anturinäppäimet

Ohjauspaneelin painikkeet ovat anturipainikkeita, jotka reagoivat jo kevyesti sormella kosketettaessa.

Laitteen kytkeminen päälle / pois päältä

Laitte on toiminnassa heti, kun se on kytketty virtalähteeseen.

Kun laite käynnistetään ensimmäistä kertaa, lämpötilan merkkivalo D näyttää esiasetusarvot (katso alla oleva huomautus).



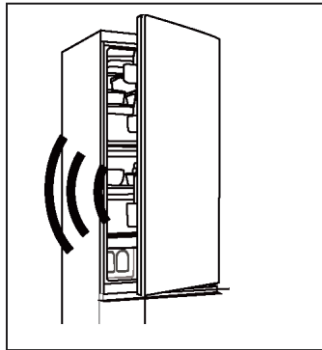
HUOMAUTUS

Laitte on esiasetettu suositeltuun lämpötilaan 5 °C (jääkaappi) ja -18 °C (pakastin). My Zone -lämpötila on esiasetettu noin 2 °C:seen. Nämä ovat suositeltuja asetuksia. Voit halutessasi muuttaa näitä lämpötiloja manuaalisesti.

Oven avaushälytys

Jääkaappi hälyttää, kun sen ovi on ollut auki yli 3 minuutin ajan.

Hälytyksen voi hiljentää sulkemalla oven. Jos ovi on auki yli 7 minuuttia, jääkaapin sisällä oleva valo ja ohjauspaneelin valaistus sammuvat automaattisesti.



Lämpötilan säätäminen

Sisätilan lämpötilaan vaikuttavat seuraavat tekijät:

- ▶ Ympäristön lämpötila
- ▶ Oven avaustiheys
- ▶ Varastoitujen elintarvikkeiden määrä
- ▶ Laitteen asennus



Jääkaapin lämpötilan säätäminen

1. Paina painiketta K2 (jääkaappi/ (My Zone)/ pakastin), kun haluat valita jääkaapin. Kuvakkeissa A (jääkaappi) ja D (lämpötilänäyttö) on valo.

2. Paina painiketta K1/K8 ja aseta jääkaapin lämpötila.

Lämpötila nousee 1 °C kerralla (2–8 °C). Optimaalinen lämpötila jääkaapissa on 5 °C. Tätä kylmemmät lämpötilat kuluttavat tarpeettoman paljon sähköä.

3. Noin 5 sekunnin kuluttua lämpötilakuvake D (lämpötilänäyttö) palaa koko ajan, ja asetus on vahvistettu.

Pakastimen lämpötilan säätäminen

1. Paina painiketta K2 (jääkaappi/ My Zone)/ pakastin), kun haluat valita pakastinosaston. Merkkivalot C (pakastin) ja D (lämpötilänäyttö) ovat palavat.

2. Paina painiketta K1/K8 ja aseta pakastimen lämpötila.

Lämpötila nousee 1 °C kerralla (-24 – -16 °C). Optimaalinen lämpötila on -18 °C . Tätä kylmemmät lämpötilat kuluttavat tarpeettoman paljon sähköä.

3. Noin 5 sekunnin kuluttua lämpötilan merkkivalo D (lämpötilänäyttö) palaa koko ajan, ja asetus on vahvistettu.

My Zone -laatikon lämpötilan säätäminen

Jääkaapissa on My Zone -laatikko. Voit valita tämän laatikon lämpötilan sen mukaan, millaisia elintarvikkeita säilytät siinä, ja näin pitää huolta siitä, että elintarvikkeiden ravintoarvot säilyvät optimaalisina.

1. Paina painiketta K2 (jääkaappi/ (My Zone)/ pakastin), kun haluat valita My Zone - osaston. Kuvakkeissa B (My Zone -osasto) ja D (lämpötilänäyttö) on valo.

2. Paina painiketta K1/K8 ja aseta My Zone -lämpötila.

Lämpötila nousee 1 °C kerralla (0–5 °C).

3. Noin 5 sekunnin kuluttua lämpötilakuvake D (lämpötilänäyttö) palaa koko ajan, ja asetus on vahvistettu.



HUOMAUTUS

1. Voit asettaa My Zone -osaston lämpötilaksi keskitason (2 °C), joka on optimaalinen säilytysympäristö monille elintarvikkeille.
2. Koska lihan vesipitoisuus vaihtelee, jotkin lihatyypit, joiden vesipitoisuus on suuri, jäätyvät alle 0 °C:een lämpötilassa. Tämän vuoksi äskettäin paloitettu liha on säilytettävä My Zone -laatikossa, jonka vähimmäislämpötila on 0 °C.
3. Kylmäherkkiä hedelmiä, kuten ananaksia, avokadoja, banaaneja, greippejä, ja vihanneksia, kuten perunoita, munakoisoja, papuja, kurkkuja, kesäkurpitsvoja ja tomaatteja, sekä juustoa ei pitäisi säilyttää My Zone -laatikossa.
4. Jos jääkaapin lämpötila on alhaisempi kuin My Zone -laatikon lämpötila, on normaalia, että My Zone -lämpötila on sille asetettua lämpötilaa alhaisempi.

HUOMAUTUS

Jos muita painikkeita painetaan 5 sekunnin kuluessa lämpötilan asettamisen jälkeen, nykyinen lämpötila-asetus vahvistetaan välittömästi. Jos mitään painiketoimintoa ei suoriteta 5 sekunnin kuluessa, nykyinen asetettu lämpötila näkyy näytössä, kunnes näyttö sammuu.

HUOMAUTUS

Sovelluksesta voidaan mukauttaa sekä jääkaapin, pakastimen että My Zone -osaston lämpötilaa. Lämpötila-asetusta voidaan säätää 1 °C:een tarkkuudella.

Super Cool -toiminto

1. Super Cool -toiminto on suositeltavaa kytkeä päälle, jos halutaan varastoida suuri määrä ruokaa (esim. ostosten jälkeen). Super Cool -toiminto nopeuttaa tuoreen ruoan jäähdystystä ja suojaa jääkaapissa jo olevia ruokia ei-toivotulta lämpenemiseltä.
2. Paina painiketta K3 tai kytke toiminto päälle sovelluksesta. Kuvake E (Super Cool -toiminto) on palaa ja toiminto aktivoituu.



i HUOMAUTUS

1. Laite poistaa Super Cool -toiminnon käytöstä, kun se on ollut päällä 6 tuntia tai kun painat painiketta K3, kun kuvake E (Super Cool -toiminto) palaa. Toiminnon voi kytkeä pois päältä myös sovelluksesta.
2. Jos jääkaapin lämpötilaa yritetään säätää, kun Super Cool -toiminto on käytössä, kuvake E (Super Cool -toiminto) vilkkuu sen merkiksi, että tätä toimintoa ei voida suorittaa.

Super Freeze -toiminto

1. Tuoreet elintarvikkeet on pakastettava mahdollisimman nopeasti kokonaan, sillä tämä säilyttää tehokkaimmin ravintoarvon, ulkonäön ja maun. Super Freeze -toiminto nopeuttaa tuoreen ruoan pakastumista ja suojaa pakastimessa jo olevia ruokia ei-toivotulta lämpenemiseltä. Jos pakastettavana on suuri määrä ruokaa, on suositeltavaa asettaa Super Freeze -toiminto päälle 24 tuntia ennen käyttöä.
2. Paina painiketta K4 (Super Freeze -toiminnon asetus) tai kytke se päälle sovelluksesta. Kuvake F (Super Freeze -toiminto) palaa ja toiminto aktivoituu.

i HUOMAUTUS

1. Laite poistaa Super Freeze -toiminnon käytöstä, kun se on ollut päällä 50 tuntia tai kun painat näppäintä K4, kun kuvake F (Super Freeze -toiminto) palaa. Toiminnon voi kytkeä pois päältä myös sovelluksesta.
2. Jos pakastinosaston lämpötilaa yritetään säätää, kun Super Freeze -toiminto on käytössä, kuvake F (Super Freeze -toiminto) vilkkuu sen merkiksi, että tätä toimintoa ei voida suorittaa.

Holiday-toiminto

Holiday-toiminnolla voidaan vähentää laitteen energiankulutusta, kun laitetta ei käytetä säännöllisesti. Kun toiminto on käytössä, jääkaappi on pois päältä ja pakastin jatkaa toimintaansa normaalisti. Toiminto asettaa jääkaapin lämpötilaksi pysyvästi 17 °C. Tämän ansiosta voit pitää tyhjän jääkaapin oven suljettuna, eikä jääkaappiin muodostu poissaolosi (esim. loman) aikana pahaa hajua tai hometta. Voit säätää pakastinosaston lämpötilan haluamaksesi.

1. Paina painiketta K5 (Holiday-toiminto päällä/pois päältä) tai valitse toiminto sovelluksesta. Kuvake G (Holiday-toiminto) on palaa ja toiminto aktivoituu.
2. Toiminto voidaan kytkeä pois päältä painamalla uudelleen painiketta K5 (Holiday-toiminto päällä/pois päältä), asettamalla jääkaapin lämpötila, määrittämällä mikä tahansa muu asetus tai kytkemällä toiminto pois päältä sovelluksesta.



i HUOMAUTUS

1. Jääkaapissa ei saa säilyttää ruokaa, kun Holiday-toiminto on käytössä. Lämpötila 17 °C on liian korkea ruoan säilytykseen.
2. Kun Holiday-toiminto on päällä, My Zone -kuvake pysyy pois päältä ja jääkaappitoiminto on lukittu. Jos jääkaapin lämpötilaa yritetään säätää, kuvake G (Holiday-toiminto) vilkkuu sen merkiksi, että tätä toimintoa ei voida suorittaa.

Eco-tila

Eco-tila voidaan ottaa käyttöön laitteen suorituskyvyn optimoimiseksi ja ruuan parhaan varastoinnin varmistamiseksi. Jos sinulla ei ole mitään erityisvaatimuksia, suosittelemme Eco-tilan käyttöä.

Tässä tilassa jääkaapin lämpötila on 5 °C ja pakastimen lämpötila on -18 °C.

1. Paina painiketta K6 (Eco-tila päällä/pois päältä) tai valitse toiminto sovelluksesta.
2. Kuvake H (Eco-tila) palaa ja toiminto on aktiivinen.

Voit kytkeä toiminnon pois päältä toistamalla yllä olevat vaiheet tai valitsemalla jonkin toisen toiminnon. Voit poistaa toiminnon käytöstä myös sovelluksesta. Aiemmin asetetut jäähdytystasot palautuvat käyttöön.

i HUOMAUTUS


Jos jääkaapin/pakastimen lämpötilaa yritetään säätää, kun Eco-tila on käytössä, kuvake H (Eco-tila) vilkkuu sen merkiksi, että tätä toimintoa ei voida suorittaa.



Vaihe 1 Lataa hOn-sovellus jostakin seuraavista sovelluskaupoista.



Vaihe 2 Luo tili hOn-sovelluksessa tai kirjaudu sisään, jos sinulla on jo tili.



Vaihe 3 Noudata hOn-sovelluksen ohjeita laiteparin muodostamiseksi.



Wi-Fi-toiminto

1. Määritä Wi-Fi noudattamalla sovelluksen ohjeita.
2. Kun Wi-Fi on määritetty ja yhteys muodostettu, Wi-Fi-kuvake I on palaa tasaisesti.
3. Jos Wi-Fi on jo määritetty, se yhdistyy automaattisesti uudelleen kokoonpanotietojen mukaisesti, jos Wi-Fi on käytössä.



HUOMAUTUS

1. Jos haluat kytkeä Wi-Fi-yhteyden pois päältä, paina Wi-Fi-painiketta K7. Wi-Fi-kuvake I sammuu.
2. Paina Wi-Fi-painiketta K7, kun haluat kytkeä Wi-Fi-yhteyden päälle ja aloittaa määrittämisen. Wi-Fi-kuvake I alkaa vilkkua hitaasti. Jos haluat määrittää Wi-Fi-toiminnon, paina K7-painiketta 3 sekunnin ajan. Wi-Fi-kuvake vilkkuu nopeasti ja laite siirtyy määrittystilaan. Jos haluat sammuttaa Wi-Fi-toiminnon, paina painiketta K7 kerran. Yllä olevat vaiheet toistetaan.
3. Jos tuote on määritetty ja Wi-Fi-toiminto on kytketty pois päältä, jääkaappi ei siirry määrittystilaan, kun se kytketään uudelleen virtalähteeseen.



HUOMAUTUS

1. Tätä tuotetta ei ole tarkoitettu kaupalliseen käyttöön.
2. Suurin RF-lähtöteho: 2,4 GHz Wi-Fi: 16 dBm;
3. Bluetooth® Low Energy: 5 dBm; Bluetooth®(BR/EDR): 10 dBm.
4. Taajuuskaista: 2 400–2 483,5 MHz.

Säilytys jääkaapissa

- Pidä jääkaapin lämpötila alle 5 °C:eessa.
- Kuuma ruoka on jäähdytettävä huoneenlämpöiseksi ennen sen laittamista laitteeseen.
- Jääkaapissa säilytettävät elintarvikkeet tulisi pestä ja kuivata ennen kuin ne asetetaan jääkaappiin.
- Jääkaapissa säilytettävä ruoka tulisi säilyttää huolellisesti suljetuissa astioissa, jotta sen maku tai tuoksu ei muutu.
- Älä säilytä jääkaapissa huomattavan suuria määriä ruokaa. Jätä tuotteiden väliin tilaa, jotta ilma pääsee kiertämään jääkaapissa. Näin tuotteet jäähtyvät paremmin ja tasaisemmin.
- Päivittäin syötävät elintarvikkeet tulisi säilyttää hyllyn etuosassa.
- Jätä elintarvikkeiden ja sisäseinien väliin tilaa, jotta ilma pääsee kiertämään vapaasti. Erityisesti tulee välttää elintarvikkeiden asettamista takaseinää vasten, koska ne voivat tällöin jäätyä. Vältä elintarvikkeiden (erityisesti rasvaisten tai happamien elintarvikkeiden) suoraa kosketusta sisäseiniin, koska öljy/happo voi vahingoittaa seinäpintaa. Puhdista öljyinen/hapan lika aina, kun sitä löytyy.
- Pakastetut elintarvikkeet voidaan sulattaa hitaasti jääkaapissa. Tämä säästää energiaa.
- Hedelmien ja vihannesten, kuten kesäkurpitsan, melonin, papaijan, banaanin, ananaksen jne. vanhentumisprosessi voi nopeutua jääkaapissa. Siksi niitä ei suositella säilytettäväksi jääkaapissa. Raakojen (erittäin vihreiden) hedelmien kypsymistä voidaan kuitenkin edistää jonkin aikaa jääkaappisäilytyksellä. Sipulit, valkosipulit, inkivääri ja muut juurekset tulisi myös säilyttää huoneenlämmössä.
- Jääkaapin epämiellyttävät hajut ovat merkki siitä, että jääkaappi on likainen ja että puhdistus on tarpeen. Katso kohta "Hoito ja puhdistus".
- Eri elintarvikkeet tulisi sijoittaa eri alueille niiden ominaisuuksien mukaan.

Säilytys pakastimessa

- Pidä pakastimen lämpötilana -18 °C.
- Kytke Super-Freeze-toiminto päälle 24 tuntia ennen pakastamista. Pienille määrille ruokaa riittää 4–6 tuntia.
- Kuuma ruoka on jäähdytettävä huoneenlämpöiseksi, ennen kuin se voidaan sijoittaa pakastimeen.



Bluetooth®-sanamerkki ja -logot ovat Bluetooth SIG, Inc:n omistamia rekisteröityjä tavaramerkkejä, ja Candy Hoover Group SRL käyttää näitä tavaramerkkejä lisenssillä. Muut tavaramerkit ja kaupanimet ovat omistajiensa omaisuutta.

- Pienempiin annoksiin jaettu ruoka pakastuu nopeammin ja on helpompi sulattaa ja kypsentää. Yhden annoksen suositeltu paino on alle 2,5 kg.
- Pakkaa ruoka huolellisesti ennen sen asettamista pakastimeen. Pakkauksen ulkopinnan on oltava kuiva, jotta pussit eivät tartu yhteen. Pakkausmateriaalien on oltava hajuttomia, ilmatiiviitä ja myrkyttömiä.
- Liian pitkien pakastusaikojen välttämiseksi pakkaukseen kannattaa merkitä pakastuspäivä, pakastetun tuotteen nimi ja viimeinen säilytyspäivä, joka määräytyy kyseisen ruoka-aineen yleisten säilyvyys-suositusten mukaan.



VAROITUS!

- ▶ Happo, emäkset ja suola jne. voivat vahingoittaa pakastimen sisäpintaa.
- ▶ Älä aseta näitä aineita sisältävää ruokaa (esim. merikalat) suoraan sisäpinnalle. Pakastimeen joutuva suolavesi on puhdistettava välittömästi.
- ▶ Älä ylitä valmistajien suosittelemaa ruokien säilytysaikaa. Ota pakastimesta vain tarvittava määrä ruokaa kerralla.
- ▶ Syö sulatettu ruoka nopeasti. Sulatettua ruokaa ei voi pakastaa uudelleen, ellei sitä kypsennetä ensin, sillä saman tuotteen pakastaminen uudelleen käsittelemättömänä huonontaa sen ominaisuuksia.
- ▶ Älä sijoita pakastinosastoon kerralla erittäin suuria määriä tuotetta ruokaa. Tarkista pakastimen pakastuskapasiteetti – katso **TEKNISET TIEDOT** tai tiedot tyyppikilvestä.
- ▶ Ruokaa voidaan säilyttää pakastimessa vähintään -18 °C:een lämpötilassa 2-12 kuukautta. Säilytysajan pituus riippuu pakastettavasta ruuasta (esimerkiksi liha: 3–12 kuukautta, vihannekset: 6–12 kuukautta).
- ▶ Kun pakastat tuoreita elintarvikkeita, vältä niiden joutumista kosketuksiin jo pakastettujen elintarvikkeiden kanssa. Sulamisvaara!

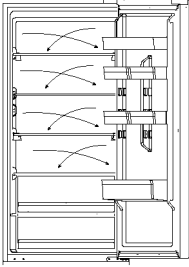
Kun säilytät kaupallisesti pakastettuja elintarvikkeita, noudata näitä ohjeita:

- Noudata aina valmistajan ohjeita säilytysajan pituudesta. Älä säilytä ruokaa pakastimessa annettuja ohjeita pidempään!
- Ostamisen ja pakastimeen laittamisen välinen aika kannattaa elintarvikkeiden laadun säilyttämiseksi pitää mahdollisimman lyhyenä.
- Osta pakastettuja elintarvikkeita, joita on säilytetty -18 °C:ssa tai sitä alhaisemmassa lämpötilassa.
- Vältä ostamasta elintarvikkeita, joiden pakkauksessa on jäätä tai pakkasta. Tämä osoittaa, että tuotteet ovat saattaneet jossakin vaiheessa osittain sulaa ja tämän jälkeen taas jäätyä, mikä huonontaa tuotteiden laatua.



i HUOMAUTUS

Eri malleista johtuen tuotteessasi ei ehkä ole kaikkia seuraavia ominaisuuksia. Katso kappale Tuotekuvasu.I.

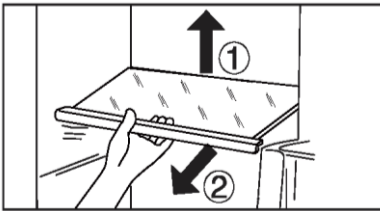


Moni-ilmavirtaus

Jääkaappi on varustettu moni-ilmavirtausjärjestelmällä, jolla viileää ilmaa virtaa jokaisella hyllytasolla. Tämä auttaa säilyttämään tasaisen lämpötilan ja pitämään ruuan tuoreena pidempään.

Säädettävä hylly

1. Hyllyjen korkeutta voidaan säätää varastointitarpeidesi mukaan.
2. Jos haluat siirtää hyllyä, poista se ensin nostamalla sen takareunaa ① ja vetämällä se ulos ②.
3. Asenna se uudelleen asettamalla se molemmiin puoliin oleviin korvakkeisiin ja työntämällä se takimmäiseen asentoon, kunnes hyllyn takaosa on kiinnitetty sivuilla oleviin aukkoihin



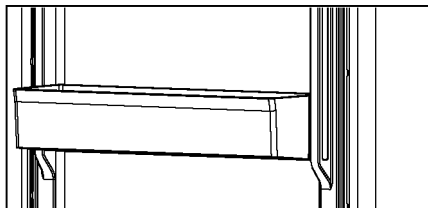
i HUOMAUTUS

Varmista, että hyllyn kaikki kulmat ovat tasaisesti.

Irrotettava ovihylly

Ovihylly voidaan poistaa puhdistusta varten:

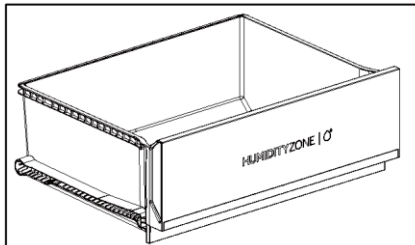
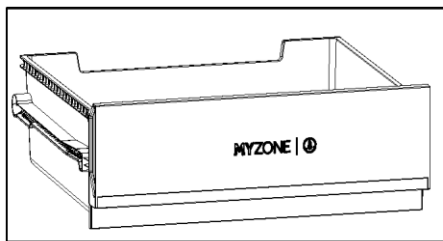
Aseta kädet hyllyn kummallekin sivulle, nosta hyllyä ylöspäin (1) ja vedä se ulos (2). Voit asettaa ovihyllyn takaisin paikalleen toistamalla edellä mainitut vaiheet päinvastaisessa järjestyksessä.





My Zone -laatikko

Saat lisätietoja My Zone - osaston käytöstä ja asetuksista kohdasta KÄYTTÖ (My Zone).



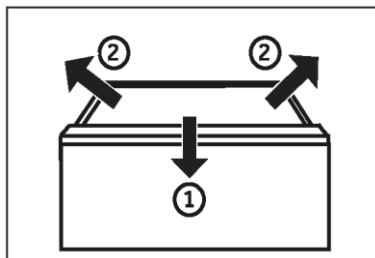
Humidity Zone -laatikko

Tässä osastossa jääkaappi säätelee kosteustasoa automaattisesti järjestelmä ja se sopii hedelmien, vihannesten, salaattien jne. säilytykseen.

Irrotettava laatikko

Poista laatikko jääkaapista tai pakastimesta vetämällä ulos mahdollisimman paljon (1), nostamalla ja poistamalla (2).

Voit asettaa laatikon takaisin paikalleen toistamalla edellä mainitut vaiheet päinvastaisessa järjestyksessä.



Pakastinlaatikko

Pakastimen laatikko voidaan vetää kokonaan ulos. Ne on asennettu kevyesti liikkuvaan teleskooppikiskoon. Tämän ansiosta pakastimen täyttäminen ja ruuan ottaminen pakastimesta on erittäin helppoa ja kätevää. Oven automaattisen sulkeutumismekanismin ansiosta käsittely on helppoa ja voit säästää energiaa.



VAROITUS!

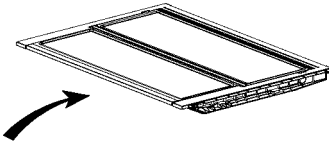
Älä ylikuormita laatikoita: Kunkin laatikon enimmäiskuorma: 35 kiloa!

Valo

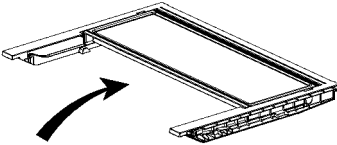
LED-sisävalo syttyy, kun ovi avataan. Laitteen mitkään asetukset eivät vaikuta valojen toimintaan.

Taitettava hylly

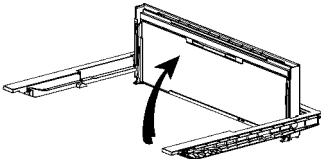
Taitettavan hyllyn ansiosta hyllyille voidaan asettaa korkeita pulloja tai esineitä. Hylly voidaan taittaa kaksinkerroin sen takaosasta päin, jolloin alemman hyllyn käytettävissä oleva tila kasvaa korkeussuunnassa. Hylly voidaan taittaa noudattamalla vaiheita 1~3. Jos haluat poistaa taitokset, noudata ohjeita päinvastaisessa järjestyksessä.



Vaihe 1: Työnnä hyllyn etuosaa hitaasti kohti takareunaa.



Vaihe 2: Työnnä hylly hitaasti pystyasentoonsa.



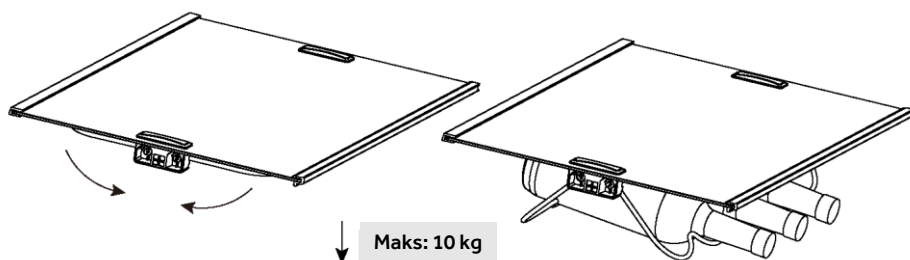
Vaihe 3: Hylly on pystysuorassa. Tämä säästää tilaa.

Kokoontaitettava viiniteline

Normaalissa käytössä:

1. Vedä viinitelineen kannattimet alas.
2. Aseta pullot telineeseen.

Kun telineettä ei käytetä, se voidaan taittaa takaisin tilan säästämiseksi.





Energiansäästövinkejä

- ▶ Varmista, että laite on tuuletettu kunnolla (katso ASENNUKSET).
- ▶ Älä asenna laitetta suoraan auringonvaloon tai lämmönlähteiden läheisyyteen (esim. uunit, lämmittimet).
- ▶ Älä laske laitteen lämpötilaa tarpeettoman alhaiseksi. Mitä kylmempi laitteen sisäilma on, sitä enemmän energiaa laite kuluttaa.
- ▶ SUPER FREEZE -toiminnon kaltaiset toiminnot kuluttavat enemmän energiaa.
- ▶ Jäähdytä lämmin ruoka ennen kuin laitat sen laitteeseen.
- ▶ Avaa laitteen ovea mahdollisimman vähän ja pidä sitä auki mahdollisimman lyhyesti.
- ▶ Älä täytä laitetta liikaa, jotta ilman kiertäminen ei esty.
- ▶ Vältä ilmaa elintarvikepakkausten sisällä.
- ▶ Pidä oven tiivisteet puhtaina, jotta ovi sulkeutuu aina oikein.
- ▶ Sulata pakastetut elintarvikkeet jääkaapissa tai käytä My Zone -laatikon D-Frost-toimintoa.
- ▶ Energiaa säästävin kokoonpano edellyttää, että laitteen laatikko, ruokalaatikko ja hyllyt pidetään tehdasasetuksissa, ja että elintarvikkeet sijoitetaan siten, että ne eivät tuki ilmakehän aukkoa.

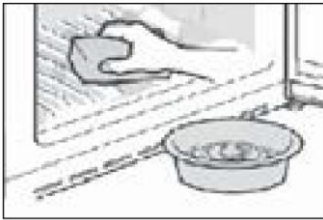
**VAROITUS!****Puhdistus**

Puhdista laite, kun ruokaa on varastoituna vain vähän tai ei lainkaan.

Laite on puhdistettava joka neljän viikon välein. Tämä takaa hyvät ylläpitotehtävät ja ehkäisee ruokien pilaantumisen ja siitä johtuvat pahat hajut.

**VAROITUS!**

- ▶ Älä puhdista laitetta käyttämällä kovia harjoja, teräsharjoja, pesuainejauhetta, bensiiniä, amyylasetaattia, asetonia ja vastaavia orgaanisia liuoksia tai happamia tai emäksisiä liuoksia. Vältä vauriot puhdistamalla erityisellä jääkaapin pesuaineella.
- ▶ Älä suihkuta tai huuhtele laitetta puhdistuksen aikana.
- ▶ Älä käytä vesisuihkua tai höyryä laitteen puhdistamiseen.
- ▶ Älä puhdista kylmiä lasihyllyjä kuumalla vedellä. Nopeat lämpötilanmuutokset voivat aiheuttaa lasin rikkoutumisen.
- ▶ Älä koske pakastimen säilytyslokeroon sisäpintaa etenkään märin käsin, koska kädet saattavat jäätyä pintaan kiinni.
- ▶ Jos pakastin on päässyt lämpiämään, tarkista pakastettujen elintarvikkeiden kunto.



- ▶ Pidä oven tiiviste aina puhtaana.
- ▶ Puhdista laitteen sisäpinnat ja kotelo haalealla vedellä ja neutraalilla pesuaineella kostutetulla sienellä.
- ▶ 1. Pese jääkaapin sisä- ja ulkopuoli, mukaan lukien oven tiiviste, oviteline, lasihyllyt, laatikot ja niin edelleen, pehmeällä pyyhkeellä tai sienellä, joka on kastettu lämpimään veteen (voit lisätä neutraalia pesuainetta lämpimään veteen).

- ▶ 2. Jos nestettä on vuotanut jääkaappiin, poista kaikki likaantuneet osat, huuhtele juoksevilla vedellä, kuivaa ja aseta takaisin jääkaappiin.
- ▶ 3. Jos jääkaappiin on valunut kermää (tai esimerkiksi sulanutta jäätelöä), poista kaikki likaantuneet osat, laita lämpimään veteen (noin 40 °C) joksikin aikaa, huuhtele juoksevilla vedellä, kuivaa ja aseta takaisin jääkaappiin.
- ▶ 4. Jos jokin pieni osa tai komponentti juuttuu jääkaapin sisälle (hyllyjen tai laatikoiden väliin), poista se pienellä pehmeällä harjalla. Jos et saa poistettua osaa itse, ota yhteyttä Haierin huoltoon
- ▶ Huuhtele ja kuivaa pehmeällä liinalla.
- ▶ Älä pese laitteen mitään osia astianpesukoneessa.
- ▶ Odota vähintään 5 minuuttia ennen kuin käynnistät laitteen uudelleen, sillä usein tapahtuvat käynnistykset voivat vahingoittaa kompressoria.

Sulatus

Jääkaappi ja pakastinosasto sulatetaan automaattisesti, manuaalinen sulatus ei ole tarpeen.

LED-lamppujen vaihtaminen



VAROITUS!

Älä vaihda LED-lamppua itse, sen saa vaihtaa vain valmistaja tai valtuutettu huoltoedustaja.

Valaisimissa on LED-valonlähde, jolla on alhainen energiankulutus ja pitkä käyttöikä. Jos havaitset poikkeavuuksia, ota yhteyttä asiakaspalveluun. Katso ASIAKASPALVELU.

Lamppujen tekniset tiedot:

Osa	LED-lamppu
Jännite	12 V
Maksimiteho	1,5 W
Tekniset tiedot: LED	Valkoinen, 2835
LED-energiätehokkuusluokka	G
Käyttölämpötila	-40~80C

Jos laitetta ei käytetä pitkähköön aikaan

Jos laitetta ei käytetä pitkään aikaan, etkä käytä Holiday-toimintoa jääkaapissa:

Poista ruoka jääkaapista.

Irrota virtapistoke.

Puhdista laite edellä kuvatulla tavalla.

Pidä ovet auki estääksesi epämiellyttävien hajujen muodostumisen.



HUOMAUTUS

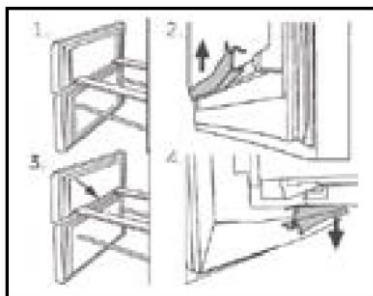
Sammuta laite vain, jos se on ehdottoman välttämätöntä.

Irrotettavat ovien lisätiivisteet

Pakastimen ylä- ja alalaatikoissa on kuusi lisäoviivisteettä.

1. Paikanna viisi ohjeessa mainittua oviivisteettä pakastimen ylä- ja alalaatikoista.
2. Varmista, että tiivisteiden taivutetut osat osoittavat kiinnittämisen aikana sisäänpäin.
3. Paikanna ylemmän laatikon alempi tiiviste ohjeiden mukaisesti.
4. Varmista, että tämän tiivisteiden taivutettu osa osoittaa kiinnittämisen aikana alaspäin.

Saat nämä tiivisteet sekä pyöröoven/laatikon tiivisteet asiakaspalvelun kautta (katso takuukortti).



Laitteen siirtäminen

1. Poista kaikki elintarvikkeet ja irrota virtajohto seinäpistorasiasta.
2. Kiinnitä jääkaapin ja pakastimen hyllyt ja muut liikkuvat osat teipillä.
3. Älä kallista jääkaappia yli 45° kulmaan jäähdytysjärjestelmän vahingoittumisen välttämiseksi.



VAROITUS!

- ▶ Älä nosta laitetta kahvoista.
- ▶ Älä koskaan aseta laitetta vaakasuoraan maahan.



Monet ongelmat voidaan ratkaista itse ilman erityistä asiantuntemusta. Tarkista ongelmatilanteessa ensin kaikki mahdolliset ratkaisut ja noudata alla olevia ohjeita, ennen kuin otat yhteyttä myyntipalveluumme. Katso ASIAKASPALVELU.



VAROITUS!

- Kytke laite pois päältä ja irrota verkkopistoke verkkopistorasiasta ennen huoltotoimia.
- Sähkölaitteita saavat huoltaa vain pätevät sähköasiantuntijat, koska virheelliset korjaukset voivat aiheuttaa huomattavia välillisiä vaurioita.
- Jos virtajohto on vaurioitunut, valmistajan, sen huoltoedustajan tai vastaavan ammattitaitoisen henkilön on vaihdettava se vaaran välttämiseksi.

Vianmääritystaulukko

Ongelma	Mahdollinen syy	Mahdollinen ratkaisu
Kompresori ei toimi.	Pistoke ei ole liitetty seinäpistorasiaan.	Liitä pistoke seinäpistorasiaan.
	Laite on huurteenpoistotilassa.	Tämä on normaalia automaattisessa huurteenpoistossa.
Laite käy huomatavan usein tai pitkiä aikoja kerrallaan.	Sisä- tai ulkolämpötila on liian korkea.	Tässä tilanteessa on normaalia, että laite käy tavallista pidempään.
	Laitteen virta on ollut jokin aikaa pois kytkettynä.	Laitteen täydellinen jäähtyminen kestää yleensä 8–12 tuntia.
	Laitteen laatikko tai ovi ei ole tiiviisti kiinni.	Sulje ovi/laatikko ja varmista, että laite on sijoitettu tasaiselle alustalle ja etteivät elintarvikkeet tai astia estä oven sulkeutumista.
	Ovea/laatikkoa on avattu liian usein tai liian pitkään.	Älä avaa ovea/laatikkoa liian usein.
	Pakastimen lämpötila-asetus on liian alhainen.	Aseta lämpötila korkeammaksi, kunnes jääkaapin lämpötila on tyydyttävä. Jääkaapin lämpötilan vakiintuminen kestää 24 tuntia.
	Oven/laatikon tiiviste on likainen, kulunut, haljennut tai yhteensopimaton.	Puhdista oven/laatikon tiiviste tai pyydä asiakaspalvelusta apua sen vaihtamiseksi.
	Vaadittua ilmankiertoa ei voida taata.	Varmista riittävä ilmanvaihto.



Ongelma	Mahdollinen syy	Mahdollinen ratkaisu
Jääkaappi on sisältä likainen ja/tai haisee pahalle.	Jääkaapin sisätilat on puhdistettava.	Puhdista jääkaappi sisältä.
	Jääkaapissa säilytetään voimakkaan hajuista ruokaa.	Pakkaa ruoka tiiviisti.
Laitteen sisällä ei ole tarpeeksi kylmää.	Lämpötila on asetettu liian korkeaksi.	Aseta lämpötila uudelleen.
	Liian lämmintä ruokaa on varastoitu.	Jäähdytä elintarvikkeet ja ruuat aina ennen niiden lisäämistä.
	Ruokaa on varastoitu kerralla liikaa.	Lisää aina pieniä määriä ruokaa.
	Elintarvikkeet ovat liian lähellä toisiaan.	Jätä aukko useiden elintarvikkeiden välille, jolloin ilma pääsee virtaamaan.
	Laitteen laatikko tai ovi ei ole tiiviisti kiinni.	Sulje ovi/laatikko.
	Ovea/laatikkoa on avattu liian usein tai liian pitkään.	Älä avaa ovea/laatikkoa liian usein.
Laitteen sisällä on liian kylmä.	Lämpötila on asetettu liian alhaiseksi.	Aseta uusi lämpötila.
	Super Freeze -toiminto on käynnistetty tai se on käynnissä liian pitkään.	Kytke Super Freeze -toiminto pois päältä.
Jääkaappiosaston sisäpuolelle muodostuu kosteutta.	Ilmasto on liian lämmin ja liian kostea.	Säädä lämpötilaa kylmemmälle.
	Laitteen laatikko tai ovi ei ole tiiviisti kiinni.	Sulje ovi/laatikko.
	Ovea/laatikkoa on avattu liian usein tai liian pitkään.	Älä avaa ovea/laatikkoa liian usein.
	Elintarvikkeita tai nesteitä ei säilytetä suljetuissa astioissa.	Anna kuumien ruokien jäähtyä huoneenlämmössä ja peitä ruoat ja nesteet.
Jääkaapin kosteus kerääntyy pinnan ulkopuolelle tai ovien/ oven ja laatikon väliin.	Ilmasto on liian lämmin ja liian kostea.	Tämä on normaalia kosteissa ilmastoissa ja tilanne muuttuu, kun kosteusprosentti laskee.
	Ovi/laatikko ei ole kunnolla kiinni.	Varmista, että ovi/laatikko on suljettu kunnolla.



Ongelma	Mahdollinen syy	Mahdollinen ratkaisu
Pakastin- osastossa on paljon jäätä ja huurretta.	Tuotteita ei ole pakattu asianmukaisesti.	Pakkaa aina kaikki tuotteet huolellisesti.
	suljettu.	
	Ovea/laatikkoa on avattu liian usein tai liian pitkään.	Älä avaa ovea/laatikkoa liian usein.
	Oven/laatikon tiiviste on likainen, kulunut, haljennut tai yhteensopimaton.	Puhdista oven/laatikon tiiviste tai vaihda se uuteen.
	Jokin sisäpuolella estää ovea/laatikkoa sulkeutumasta kunnolla.	Aseta hyllyt, ovitelineet tai sisäiset laatikot uudelleen, jotta ovi/laatikko sulkeutuu.
Laite pitää epänor- maalia ääntä.	Laite ei sijaitse tasaisella lattialla.	Säädä jalat jotta laite on vaakatasossa.
	Laite koskettaa jotain sen ympärillä olevaa esinettä.	Poista esineet laitteen ympäriltä.
Kuuluu hiljaista ääntä, joka muis- tuttaa virtaavaa vettä.	Tämä on normaalia.	/
Kuulet häly- tysäänen.	Jääkaapin säilytysosaston ovi on auki.	Sulje ovi tai sammuta hälytys manuaalisesti.
Kuulet heikkoa huminaa.	Antikondensoiva järjestelmä on toiminnassa.	Tämä ehkäisee kondensoitumista ja on normaalia.
Sisäva- laistus tai jäähdy- tysjärjes- telmä ei toimi.	Pistoketta ei ole liitetty seinäpistorasiaan.	Liitä pistoke seinäpistorasiaan.
	Virtalähde ei ole ehjä.	Tarkista huoneen sähkösyöttö. Soita paikalliseen sähköyhtiöön!
	LED-lamppu on rikki.	Ota yhteyttä huoltoon lampun vaihtamiseksi.
Kaapin sivut ja oviliuska lämpene- vät.	Tämä on normaalia.	/
Vedenjake lulaitteen nokasta ei tule vettä.	Lukitusta ei ole poistettu.	Poista lukitus käytöstä.



Sähkökatkos

- ▶ Sähkökatkoksen sattuessa ruoan pitäisi pysyä turvallisen kylmänä noin 13 tuntia. Noudata seuraavia ohjeita erityisesti kesäaikaan, mikäli sähkökatkos kestää kauan.
- ▶ Älä laita laitteeseen uusia elintarvikkeita sähkökatkoksen aikana.
- ▶ Jos sähkökatkoksesta ilmoitetaan etukäteen ja keskeytyksen kesto on yli 13 tuntia, tee jääkuutioita ja laita se astiassa jääkaapin lähyllylle.
- ▶ Elintarvikkeet on tarkastettava välittömästi sähkökatkoksen loputtua.
- ▶ Koska lämpötila jääkaapissa nousee sähkökatkoksen tai muun häiriön aikana, elintarvikkeiden säilytysaika pienenee ja laatu kärsii. Kaikki sulaneet elintarvikkeet tulisi terveystarkistuksen välttämiseksi joko syödä tai kypsentää kuumentamalla ja pakastaa uudelleen (mikäli mahdollista) pikaisesti.



HUOMAUTUS

Muistointo sähkökatkoksen aikana

Kun sähkövirta on palautunut, laite jatkaa ennen sähkökatkoa voimassa olleilla asetuksilla.

Voit ottaa yhteyttä tekniseen tukeen siirtymällä Internet-sivustoomme osoitteessa <https://corporate.haier-europe.com/en/>

Valitse "websites"-kohdassa tuotemerkkisi ja maasi. Siirryt sivulle, josta löydät puhelinnumeron ja muita tapoja pyytää teknistä tukea.

Purkaminen pakkauksesta



VAROITUS!

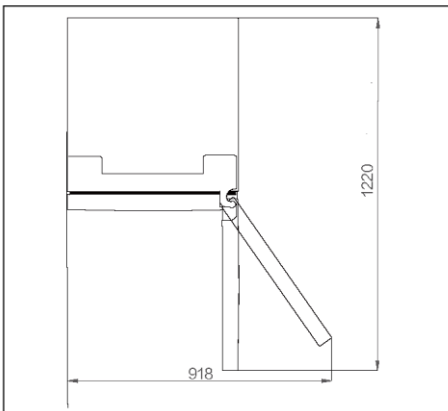
- ▶ Laite on painava. Sen käsittelyyn tarvitaan aina vähintään kaksi henkilöä.
- ▶ Pidä kaikki pakkausmateriaalit poissa lasten ulottuvilta ja hävitä ne ympäristöystävällisesti.
- ▶ Ota laite pois pakkauksesta.
- ▶ Poista kaikki pakkausmateriaalit.

Ympäristön olosuhteet

Huoneen lämpötilan tulisi aina olla 10–43° C, koska huoneen lämpötila voi vaikuttaa laitteen sisälämpötilaan ja sen energiankulutukseen. Älä asenna laitetta lähelle muita lämpöä tuottavia laitteita (uunit, jääkaapit) ilman asianmukaista lämmöneristystä.

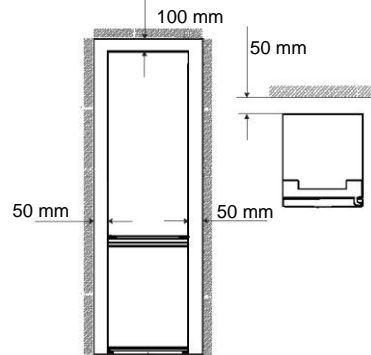
Tilasuositus

Suosittelu tila ovea avattaessa..



Tuuletuksen poikkileikkaus

Suosittelimme turvallisuussyistä noudattamaan tarvittavan tilan ohjeita riittävän ilmanvaihdon aikaansaamiseksi.

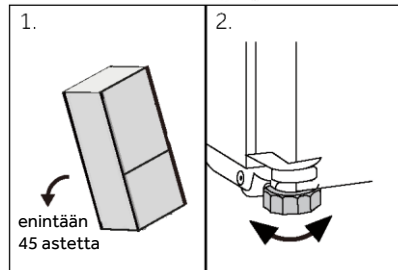


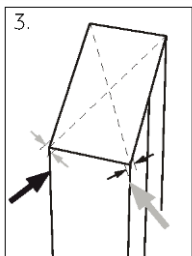
Laitteen sijoittaminen

Laite tulee sijoittaa tasaiselle ja tukevalle alustalle.

1. Kallista jääkaappia hieman taaksepäin.
2. Aseta jalat halutulle tasolle.

Varmista, että etäisyys saranapuolella olevaan seinään on vähintään 100 mm, jotta ovi aukeaa kunnolla.

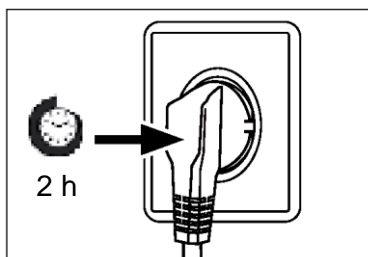




1. Voit tarkistaa, miten tukevasti laite seisoo, heiluttamalla sitä kulmista. Kodinkoneen tulisi heilahdella lievästi ja samalla tavalla kumpaakin suuntaan. Muussa tapauksessa runko voi vääntyä ja tämä voi johtaa oviivisteiden vuotamiseen. Erittäin pieni takanoja helpottaa ovien sulkeutumista.

HUOMAUTUS

Vapaasti seisova laite: tämä kylmälaite on tarkoitettu käytettäväksi vapaasti seisovana laitteena eikä sitä saa käyttää sisäänrakennetun mallin tavoin



Odotusaika

Huoltovapaa voiteluöljy sijaitsee kompressorin kapselissa. Tämä öljy voi päästä suljetun putkijärjestelmän läpi kuljetuksen aikana, jos laite on kaltevassa asennossa. Ennen kuin kytket laitteen virtalähteeseen, sinun on odotettava vähintään 2 tuntia, jotta öljy kulkeutuu takaisin kapseliin.

Sähköliitäntä

Tarkista ennen jokaista liitäntää seuraavat seikat:

- ▶ sähkövirta, pistorasia ja sulakkeet ovat laitteen arvokilven mukaiset
- ▶ pistorasia on maadoitettu eikä monipistoketta tai jatkojohtoja käytetä
- ▶ pistorasia ja pistorasia ovat tarkasti teknisten määräysten mukaiset.

Liitä pistoke oikein asennettuun kotitalouskäyttöön tarkoitettuun pistorasiaan.



VAROITUS!

Vaarojen välttämiseksi asiakaspalvelun on vaihdettava vaurioitunut virtajohto (katso takuukortti).



Oven kääntäminen

Ennen kuin kytket laitteen virtalähteeseen, tarkista, onko oven avautuminen vaihdettava oikealta (toimitettuna) vasemmalle, jos asennuspaikka ja käytettävyys sitä edellyttävät.

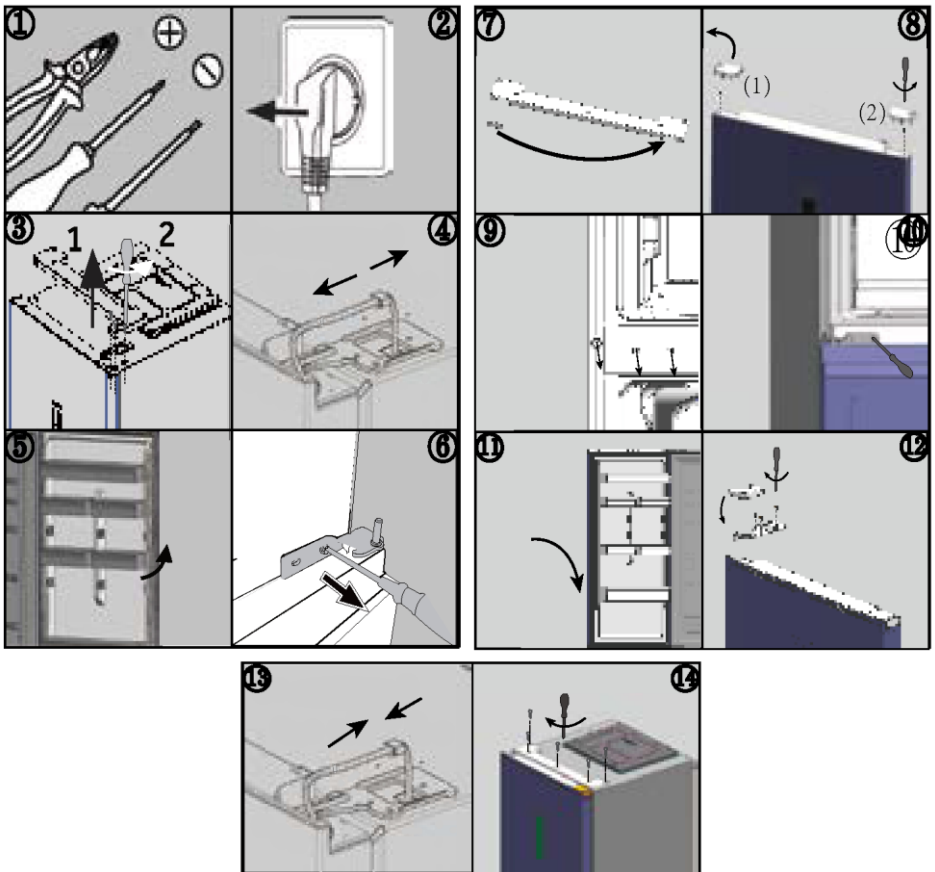


VAROITUS!

- ▶ Laite on painava. Oven kääntämiseen tarvitaan kaksi henkilöä.
- ▶ Irrota laite pistorasiasta ennen kääntämistä.
- ▶ Estä jäähdytysjärjestelmän vaurioituminen kallistamalla laitetta korkeintaan 45 °C.

Kokoonpanovaiheet

1. Varaa käyttöön tarvittavat työkalut.
 2. Irrota laite pistorasiasta.
 3. Irrota ylempi saranan suojus 1 ja kierrä ylempi sarana (kolme ruuvia) irti oikealta puolelta 2.
 4. Irrota liitäntäkaapeli.
 5. Nosta irtomainen jääkaapin ovi varovasti irti keskisaranasta.
 6. Irrota keskimäinen sarana.
 7. Irrota etupaneelin pieni kansi vasemmalta ja siirrä se oikealle.
 8. Käännä ovi ylösalaisin ja irrota kansi (1). Ota uusi kansi (2) pussista ja ruuvaa ne vastakkaiselle puolelle.
 9. Vaihda suojatulppien ja sivulla olevan ruuvien sijaintia.
 10. Ruuvaa keskisarana laitteen vasemmalle puolelle. Kiinnitä huomiota keskisaranan nivelen kääntämiseen ja varmista, että tiivisteiden sivu on ylöspäin.
 11. Nosta ylempi ovi varovasti keskisaranaan. Varmista, että nivel sopii alaoven saranasynteriin.
 12. Ota uusi yläsarana ja saranan suojus esiin lisävarustepussista. Vie liitäntäkaapeli ylemmän saranan läpi ja kiinnitä ylempi sarana kolmella ruuvilla laitteen vasemmalle puolelle. Laita saranan suojus saranan päälle.
 13. Kytke liitäntäkaapeli.
 14. Vaihda etupaneeli ja kiinnitä se viidellä ruuvilla.
- Tarkista oven vaihdon jälkeen, että oven tiivisteet ovat oikein kotelossa ja että kaikki ruuvit on kiristetty hyvin.



Ympäristön lämpötilat

Laajennettu lauhkea: kylmälaite toimii suunnitellusti, kun ympäristön lämpötila on 10–32 °C.

Lauhkea: kylmälaite toimii suunnitellusti, kun ympäristön lämpötila on 16–32 °C.

Subtrooppinen: kylmälaite toimii suunnitellusti, kun ympäristön lämpötila on 16–38 °C.

Trooppinen: kylmälaite toimii suunnitellusti, kun ympäristön lämpötila on 16–43 °C.



Tuoteparametrit asetuksen (EU)2019/2016 mukaisesti

Vakiotestitulosten perusteella 24 tunnin ajalta. Todellinen energiankulutus riippuu siitä, miten laitetta käytetään ja missä se sijaitsee.

Malli	HTW5618DN*	HTW5620DN*	HTW5618EN*
Kylmäsäilytyslaitteen tyyppi	Jääkaappi-pakastin	Jääkaappi-pakastin	Jääkaappi-pakastin
Energiatohokkuusluokka	D	D	E
Vuotuinen energiankulutus (kWh/vuosi)	217	226	271
Jääkaappiosaston tilavuus (l)	201	255	201
Pakastinosaston tilavuus (l)	125	125	125
Jäähdytyslokero tilavuus (L)	34	34	34
Pakastusluokka	4 tähteä	4 tähteä	4 tähteä
Sulatustyyppi	Automaattinen sulatus	Automaattinen sulatus	Automaattinen sulatus
Lämpötilan nousuaika (h)	13	13	11
Pakastuskapasiteetti (kg / 24 h)	10,0	10,0	10,0
Ilmastoluokka	SN/N/ST/T	SN/N/ST/T	SN/N/ST/T
Melupäästöluokka ja äänitaso ilmassa (dB(A) re 1 pW)	B(35)	B(35)	B(35)



Malli	HTW5618CN*	HTW5620CN*	HTW5620EN*
Kylmäsäilytyslaitteen tyyppi	Jääkaappi-pakastin	Jääkaappi-pakastin	Jääkaappi-pakastin
Energiatohokkuusluokka	C	C	E
Vuotuinen energiankulutus (kWh/vuosi)	173	181	283
Jääkaappiosaston tilavuus (l)	201	255	255
Pakastinosaston tilavuus (l)	125	125	125
Jäähdytyslokero tilavuus (L)	34	34	34
Pakastusluokka	4 tähteä	4 tähteä	4 tähteä
Sulatusyyppi	Automaattinen sulatus	Automaattinen sulatus	Automaattinen sulatus
Lämpötilan nousuaika (h)	13	13	11
Pakastuskapasiteetti (kg / 24 h)	10,0	10,0	10,0
Ilmastoluokka	SN/N/ST/T	SN/N/ST/T	SN/N/ST/T
Melupäästöluokka ja äänitaso ilmassa (dB(A) re 1 pW)	B(35)	B(35)	B(35)



Malli	HDPW5618DN*	HDPW5620DN*	HDPW3620DN*
Kylmäsäilytyslaitteen tyyppi	Jääkaappi-pakastin	Jääkaappi-pakastin	Jääkaappi-pakastin
Energiatohokkuusluokka	D	D	D
Vuotuinen energiankulutus (kWh/vuosi)	214	220	220
Jääkaappiosaston tilavuus (l)	201	255	255
Pakastinosaston tilavuus (l)	117	117	117
Jäähdytyslokero tilavuus (L)	34	34	34
Pakastusluokka	4 tähteä	4 tähteä	4 tähteä
Sulatustyyppi	Automaattinen sulatus	Automaattinen sulatus	Automaattinen sulatus
Lämpötilan nousuaika (h)	13	13	11
Pakastuskapasiteetti (kg / 24 h)	10,0	10,0	10,0
Ilmastoluokka	SN/N/ST/T	SN/N/ST/T	SN/N/ST/T
Melupäästöluokka ja äänitaso ilmassa (dB(A) re 1 pW)	B(35)	B(35)	B(35)



Malli	HDPW3618DN*	HDPW3620CN*	HTW3620DN*
Kylmäsäilytyslaitteen tyyppi	Jääkaappi-pakastin	Jääkaappi-pakastin	Jääkaappi-pakastin
Energiatohokkuusluokka	D	C	D
Vuotuinen energiankulutus (kWh/vuosi)	214	176	226
Jääkaappiosaston tilavuus (l)	201	255	255
Pakastinosaston tilavuus (l)	117	117	125
Jäähdytyslokero tilavuus (L)	34	34	34
Pakastusluokka	4 tähteä	4 tähteä	4 tähteä
Sulatusyyppi	Automaattinen sulatus	Automaattinen sulatus	Automaattinen sulatus
Lämpötilan nousuaika (h)	13	13	13
Pakastuskapasiteetti (kg / 24 h)	10,0	10,0	10,0
Ilmastoluokka	SN/N/ST/T	SN/N/ST/T	SN/N/ST/T
Melupäästöluokka ja äänitaso ilmassa (dB(A) re 1 pW)	B(35)	B(35)	B(35)



Malli	HDPW5618CN*	HDPW5620CN*	HDPW5620AN*
Kylmäsäilytyslaitteen tyyppi	Jääkaappi-pakastin	Jääkaappi-pakastin	Jääkaappi-pakastin
Energiatohokkuusluokka	C	C	A
Vuotuinen energiankulutus (kWh/vuosi)	171	176	114
Jääkaappiosaston tilavuus (l)	201	255	255
Pakastinosaston tilavuus (l)	117	117	120
Jäähdytyslokeroon tilavuus (l)	34	34	34
Pakastusluokka	4 tähteä	4 tähteä	4 tähteä
Sulatustyyppi	Automaattinen sulatus	Automaattinen sulatus	Automaattinen sulatus
Lämpötilan nousuaika (h)	13	13	16
Pakastuskapasiteetti (kg / 24 h)	10,0	10,0	10,0
Ilmastoluokka	SN/N/ST/T	SN/N/ST/T	SN/N/ST/T
Melupäästöluokka ja äänitaso ilmassa (dB(A) re 1 pW)	B(35)	B(35)	B(35)



Tekniset lisätiedot

Malli	HTW5618DN*	HTW5618EN*	HTW5620DN*
Kokonaistilavuus (l)	360	360	414
Jännite / taajuus	220~240 V / 50 Hz	220~240 V / 50 Hz	220~240 V / 50 Hz
Tulovirta (A)	1.4	1.4	1.4
Pääsulake (A)	16	16	16
Kylmäaine	R600a(53g)	R600a(53g)	R600a(53g)
Mitat (L/S/K mm)	595 / 667 / 1 850	595 / 667 / 1 850	595 / 667 / 2 050

Malli	HTW5618CN*	HTW5620CN*	HTW5620EN*
Kokonaistilavuus (l)	360	414	414
Jännite / taajuus	220~240V/50Hz	220~240V/50Hz	220~240V/50Hz
Tulovirta (A)	1.4	1.4	1.4
Pääsulake (A)	15	15	16
Kylmäaine	R600a(50g)	R600a(50g)	R600a(53g)
Mitat (L/S/K mm)	595*667*1850	595*667*2050	595*667*2050



Malli	HDPW5618DN*	HDPW5620DN*	HDPW3620DN*
Kokonaistilavuus (l)	352	406	406
Jännite / taajuus	220~240V/50Hz	220~240V/50Hz	220~240V/50Hz
Tulovirta (A)	1.4	1.4	1.4
Pääsulake (A)	16	16	16
Kylmäaine	R600a(53g)	R600a(53g)	R600a(53g)
Mitat (L/S/K mm)	595*667*1850	595*667*2050	595*667*2050

Malli	HDPW5618CN*	HDPW5620CN*	HDPW5620AN*
Kokonaistilavuus (l)	352	406	409
Jännite / taajuus	220~240 V / 50 Hz	220~240 V / 50 Hz	220~240 V / 50 Hz
Tulovirta (A)	1.4	1.4	1.4
Pääsulake (A)	15	15	15
Kylmäaine	R600a(50g)	R600a(50g)	R600a(50g)
Mitat (L/S/K mm)	595 / 667 / 1 850	595 / 667 / 2 050	595 / 667 / 2 050



Malli	HDPW5618CN*	HDPW5620CN*	HDPW5620AN*
Kokonaistilavuus (l)	352	406	409
Jännite / taajuus	220~240V/50Hz	220~240V/50Hz	220~240V/50Hz
Tulovirta (A)	1.4	1.4	1.4
Pääsulake (A)	15	15	16
Kylmäaine	R600a(50g)	R600a(50g)	R600a(50g)
Mitat (L/S/K mm)	595*667*1850	595*667*2050	595*667*2050



Suosittellemme Haierin asiakaspalvelua ja alkuperäisten varaosien käyttöä. Jos sinulla on ongelmia laitteen kanssa, tarkista ensin osio VIANMÄÄRITYS.

Jos et löydä ratkaisua, ota yhteyttä

- ▶ paikalliseen jälleenmyyjän tai
- ▶ eurooppalaiseen puhelinpalvelukeskukseen (katso alla olevat puhelinnumerot) tai
- ▶ siirtymällä osoitteessa www.haier.com kohtaan Service & Support, jossa voit aktivoida palvelupyynnön
- ▶ ja tutustua usein kysyttyihin kysymyksiin.

Jos haluat ottaa yhteyttä palveluumme, varmista, että sinulla on seuraavat tiedot saatavilla.

Tiedot löytyvät arvokilvestä.

Malli _____

Sarjanumero _____

Tarkista myös tuotteen mukana toimitettu takuukortti takuun varalta.

Eurooppalainen puhelinpalvelukeskus		
Maa*	Puhelinnumero	Kustannukset
Haier Italy (IT)	199 100 912	
Haier Spain (ES)	902 509 123	
Haier Germany (DE)	0180 5 39 39 99	<ul style="list-style-type: none"> • 14 snt/min lankapuhelin • maks. 42 snt/min matkapuhelin
Haier Austria (AT)	0820 001 205	<ul style="list-style-type: none"> • 14,53 snt/min lankapuhelin • maks. 20 snt/min kaikki muut
Haier United Kingdom (UK)	0333 003 8122	
Haier France (FR)	0980 406 409	



* Muiden maiden osalta katso www.haier.com

Haier Europe Trading S.r.l

Branch UK

Westgate House, Westgate, Ealing

London, W5 1YY

* Kylmälaitteen takuun kesto:

Vähimmäistakuu on: 2 vuotta EU-maissa, 3 vuotta Turkissa, 1 vuosi Isossa-Britanniassa, 1 vuosi Venäjällä, 3 vuotta Ruotsissa, 2 vuotta Serbiassa, 5 vuotta Norjassa, 1 vuosi Marokossa, 6 kuukautta Algeriassa, Tunisia ei vaadi lakisääteistä takuuta.

* Varaosien saatavuus laitteen korjausta varten:

Termostaatteja, lämpötilan tunnistimia, painettuja piirilevyjä ja valonlähteitä on saatavilla varaosina vähintään 7 vuoden ajan sen jälkeen, kun kyseisen mallin viimeinen kappale on tullut myyntiin.

Ovien kädensijat, ovien saranat, alustat ja korit ovat saatavina varaosina vähintään 7 vuoden ajan ja ovitiivisteet vähintään 10 vuoden ajan sen jälkeen, kun kyseisen mallin viimeinen kappale on tullut myyntiin.

* Lisätietoa tuotteesta saa osoitteesta <https://eprel.ec.europa.eu/> tai skannaamalla laitteen energiamerkissä olevan QR-koodin.




Haier

2023 Versio A



0060534356

<u>5 Sikkerhetsinformasjon</u>	<u>Før første gangs bruk</u>	6
	<u>Installasjon</u>	6
	<u>Daglig bruk</u>	7
<u>10 Tiltentkt bruk</u>		
<u>11 Produktbeskrivelse</u>		
<u>15 Kontrollpanel</u>		
<u>16 Bruk</u>	<u>Juster temperaturen for kjøleskapet</u>	17
	<u>Juster temperaturen for fryseren</u>	17
	<u>Juster temperaturen for My Zone</u>	17
	<u>Super-Cool-funksjon</u>	18
	<u>Super-Frz-funksjon</u>	19
<u>24 Utstyr</u>		
<u>28 Energisparetips</u>		
<u>29 Stell og rengjøring</u>		
<u>32 Feilsøking</u>		
<u>36 Installasjon</u>		
<u>40 Tekniske data</u>		
<u>46 Kundeservice</u>		
		
	Klikk på innholdet for å se detaljinformasjonen.	



Takk for at du kjøpte et Haier-produkt.

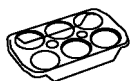
Les disse instruksjonene nøye før du bruker dette apparatet. Instruksjonene inneholder viktig informasjon som vil hjelpe deg å få det beste ut av apparatet og sikre sikker og riktig installasjon, bruk og vedlikehold.

Oppbevar denne håndboken på et praktisk sted slik at du alltid kan se den for sikker og riktig bruk av apparatet.

Hvis du selger apparatet, gir det bort eller lar det ligge igjen når du flytter, sørg for at du også passerer denne håndboken slik at den nye eieren kan bli kjent med apparatet og sikkerhetsadvarslene.

Tilbehør

Sjekk tilbehøret og litteraturen i henhold til denne listen:



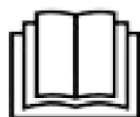
Eggebrett



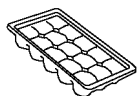
Energimerke



Garantikort



Brukerhåndbok



Isbitbrett



Dørhengsler



Hengseldeksel



Hetteinnsats

**ADVARSEL - Viktig sikkerhetsinformasjon****MERKNAD-Generell informasjon og tips****Miljøinformasjon****Kassering**

Bidra til å beskytte miljøet og menneskers helse. Legg emballasjen i aktuelle beholdere for å resirkulere den. Bidra til å resirkulere avfall fra elektriske og elektroniske apparater. Ikke kast apparater merket med dette symbolet sammen med husholdningsavfallet. Returner produktet til ditt lokale resirkuleringsanlegg eller kontakt kommunekontoret.

**ADVARSEL!**

Fare for skade eller kvelning!

Kjølemedier og gasser må kasseres på en profesjonell måte. Forsikre deg om at slangen til kjølemiddelkretsen ikke er skadet før den kastes på riktig måte. Koble apparatet fra strømmettet. Kutt av nettkabelen og kast den. Fjern skuffene og skuffene samt dørlåsen og pakningene, for å forhindre at barn og kjæledyr blir lukket i apparatet.



Les følgende sikkerhetstips før du slår på apparatet for første gang!:



ADVARSEL!

Før første gangs bruk

- ▶ Kontroller at det ikke er noen transportskade.
- ▶ Fjern all emballasje og oppbevar utilgjengelig for barn.
- ▶ Vent minst to timer før du installerer apparatet for å sikre at kjølemiddelkretsen er fullt effektiv.
- ▶ Håndter alltid apparatet med minst to personer fordi det er tungt.

Installasjon

- ▶ Apparatet bør plasseres på et godt ventilert sted. Sørg for en plass på minst 10 cm over og rundt apparatet.
- ▶ Plasser aldri apparatet på et fuktig sted eller et sted hvor det kan sprutes med vann. Rengjør og tørk vannsprut og flekker med en myk ren klut.
- ▶ Ikke installer apparatet i direkte sollys eller i nærheten av varmekilder (f.eks. komfyrer, varmeovner).
- ▶ Installer og juster apparatet i et område som passer for størrelse og bruk.
- ▶ Hold ventilasjonsåpningene i apparatet eller i den innebygde strukturen fri for hindringer.
- ▶ Forsikre deg om at den elektriske informasjonen på typeskiltet stemmer overens med strømforsyningen. Hvis ikke, kontakt en elektriker.
- ▶ Apparatet drives av en 220-240 VAC / 50 Hz strømforsyning. Unormal spenningsvingning kan føre til at apparatet ikke starter, eller at temperaturreguleringen eller kompressoren blir skadet, eller det kan være unormal støy under bruk. I slike tilfeller skal det monteres en automatisk regulator.
- ▶ Ikke bruk multipluggadaptorene og skjøteledninger.
- ▶ Ikke plasser flere bærbare stikkontakter eller bærbare strømforsyninger på baksiden av apparatet.
- ▶ Pass på at strømkabelen ikke kommer i klem i kjøleskapet. Ikke trakk på strømkabelen.



ADVARSEL!

- ▶ Bruk en separat jordet stikkontakt for strømforsyningen som er lett tilgjengelig. Dette apparatet må jordes.
Bare for Storbritannia: Apparatets strømkabel er utstyrt med 3-ledningskontakt (jording) som passer til en standard 3-ledningskontakt (jordet). Aldri kutt av eller demonter den tredje pinnen (jording). Etter at apparatet er installert, skal støpselet være tilgjengelig.
- ▶ Ikke skad kjølevæskekretsen.

Daglig bruk

- ▶ Dette apparatet kan brukes av barn i alderen fra åtte år og eldre og personer med nedsatt fysisk, sensorisk eller mental evne eller med mangel på erfaring og kunnskap, forutsatt at de blir veiledet eller gitt instruksjoner om bruk av apparatet på en trygg måte, og de forstår de involverte farene.
- ▶ Barn i alderen 3 til 8 år har lov til å laste og losse, men ikke til å rengjøre eller installere kjøleapparatene.
- ▶ Hold barn under 3 år unna apparatet med mindre de er under konstant tilsyn.
- ▶ Barn skal ikke leke med apparatet.
- ▶ Hvis kjølig gass eller annen brennbar gass lekker i nærheten av apparatet, må du slå av ventilen til den lekkende gassen, åpne dørene og vinduene og ikke trekke ut støpselet i strømkabelen til kjøleskapet eller andre apparater.
- ▶ Legg merke til at apparatet er innstilt for bruk ved et spesifikt omgivelsesområde mellom 10 og 43 °C. Apparatet fungerer kanskje ikke som det skal hvis det blir stående i en lengre periode ved en temperatur over eller under det angitte området.
- ▶ Ikke plasser ustabile gjenstander (tunge gjenstander, beholdere fylt med vann) oppå kjøleskapet for å unngå personskader forårsaket av fall eller elektrisk støt forårsaket av kontakt med vann.
- ▶ Ikke trekk i dørhyllene. Døren kan trekkes skrått, flaskestativet kan trekkes bort, eller apparatet kan velte.
- ▶ Åpne og lukk dørene kun med håndtakene. Avstanden mellom dørene og mellom dørene og skapet er veldig smal. Ikke strekk ut hendene i disse områdene for å unngå å klemme fingrene. Åpne eller lukk kjøleskapsdørene kun når det ikke er barn som står innenfor dørens bevegelsesområde.



ADVARSEL!

- ▶ Ikke oppbevar eller bruk brennbare, eksplosive eller etsende materialer i apparatet eller i nærheten.
- ▶ Oppbevar ikke medisiner, bakterier eller kjemiske midler i apparatet. Dette apparatet er et husholdningsapparat. Det anbefales ikke å lagre materialer som krever strenge temperaturer.
- ▶ Oppbevar aldri væsker i flasker eller bokser (foruten høyprosent brennevin), spesielt kullsyreholdige drikker i fryseren, da disse vil sprekke under frysing.
- ▶ Sjekk tilstanden til maten hvis en oppvarming i fryseren har funnet sted.
- ▶ Ikke still inn unødvendig lav temperatur i kjøleseksjonen. Minustemperaturer kan forekomme ved høye innstillinger. Obs: Flasker kan sprekke
- ▶ Ikke berør frosne varer med våte hender (bruk hansker). Spesielt ikke spis ispinner umiddelbart etter at de er tatt ut av fryseren. Det er fare for frysing eller dannelse av frostblemmer. FØRSTEHJELP: oppbevares umiddelbart under rennende kaldt vann. Ikke trekk unna!
- ▶ Ikke berør innsiden av fryseboksen når den er i bruk, spesielt med våte hender, da hendene dine kan fryse fast på overflaten.
- ▶ Koble fra apparatet i tilfelle strømbrudd eller før rengjøring. Vent minst 7 minutter før du starter apparatet på nytt, siden hyppig start kan skade kompressoren.
- ▶ Ikke bruk elektriske enheter inne i matoppbevaringsrommene på apparatet, med mindre de er av typen anbefalt av produsenten. Vedlikehold/rengjøring
- ▶ Sørg for at barn er under oppsyn hvis de utfører rengjøring og vedlikehold.
- ▶ Koble apparatet fra strømforsyningen før du utfører rutinemessig vedlikehold. Vent minst 5 minutter før du starter apparatet på nytt, siden hyppig start kan skade kompressoren.

**ADVARSEL!**

- ▶ Hold støpselet, ikke kabelen, når du kobler fra apparatet.
- ▶ Ikke rengjør apparatet med harde børster, stålbørster, vaskemiddelpulver, bensin, amylacetat, aceton og lignende organiske løsninger, sure eller alkaliske løsninger. Rengjør med spesielt kjøleskapsvaskemiddel for å unngå skade.
- ▶ Ikke skrap av frost og is med skarpe gjenstander. Ikke bruk spray, elektriske varmeovner som varmeovn, hårføner, damprensere eller andre varmekilder for å unngå skade på plastdelene.
- ▶ Ikke bruk mekaniske enheter eller andre metoder for å akselerere avrimingsprosessen, bortsett fra de som anbefales av produsenten.
- ▶ Hvis strømledningen er skadet, må den byttes ut av produsenten, serviceagenten eller tilsvarende kvalifiserte personer for å unngå fare.
- ▶ Ikke prøv å reparere, demontere eller modifisere apparatet på egen hånd. Ved reparasjon, kontakt vår kundeservice.
- ▶ Fjern støvet på baksiden av enheten minst én gang i året for å unngå fare ved brann, samt økt energiforbruk.
- ▶ Ikke spray eller skylt apparatet under rengjøring.
- ▶ Ikke bruk vannspray eller damp for å rengjøre apparatet.
- ▶ Ikke rengjør de kalde glasshyllene med varmt vann. Plutselige temperaturendringer kan føre til at glasset knuses.

Informasjon om kjølemiddelgass**ADVARSEL!**

Apparatet inneholder det brennbare kjølemediet ISOBUTANE (R600a). Sørg for at kjølemiddelkretsen ikke er skadet under transport eller installasjon. Kjølemiddel som lekker kan forårsake øyeskader eller antennes. Hvis det har oppstått en skade, hold åpne ildkilder unna, ventiler rommet grundig, ikke plugg eller koble fra strømledningene til apparatet eller andre apparater. Informer kundeservice.

Hvis øynene kommer i kontakt med kjølemediet, skylt det umiddelbart under rennende vann og kontakt øyespesialisten umiddelbart.



Tiltenkt bruk

Dette apparatet er beregnet for kjøling og frysing av mat. Det er designet eksklusivt for bruk i husholdninger og lignende applikasjoner som personalkjøkkenområder i butikker, kontorer og andre arbeidsmiljøer; gårdshus og av kunder i hoteller, moteller og andre boligmiljøer, samt i bed-and-breakfast og cateringvirksomhet. Den er ikke beregnet for kommersiell eller industriell bruk. Endringer eller modifikasjoner på enheten er ikke tillatt. Utsiktet bruk kan forårsake farer og tap av garantikrav.

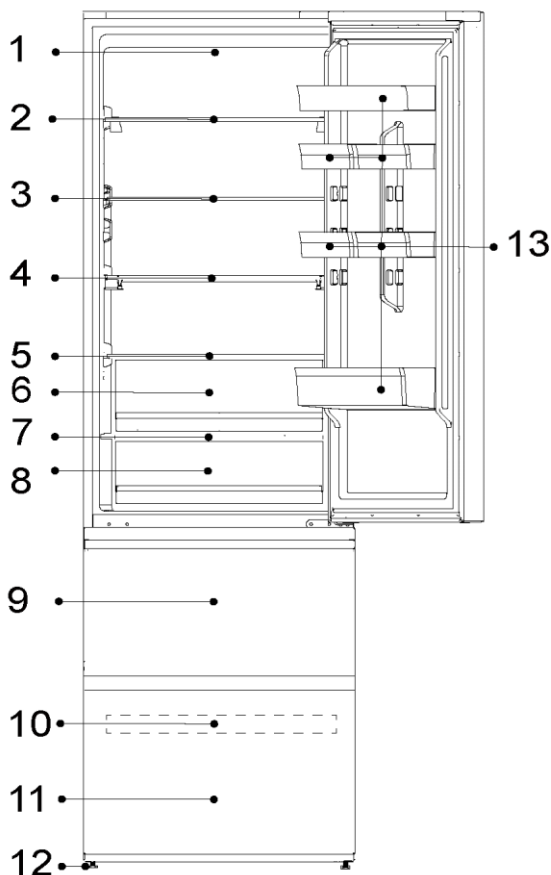
Standarder og direktiver **CE**

Dette produktet oppfyller kravene i alle gjeldende EU-direktiver med de tilsvarende harmoniserte standardene, som sørger for CE-merking.

**i** OBS

På grunn av tekniske endringer og forskjellige modeller kan noen av illustrasjonene i denne håndboken avvike fra din modell.

(HTW5620EN*, HTW5620DN*, HTW5620CN*)



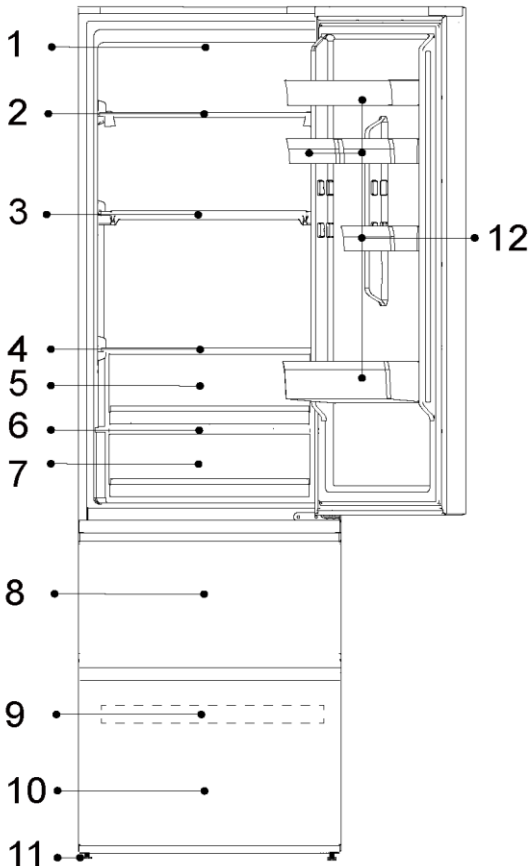
- 1 - Kjøleskap LED-lampe
- 2 - Vinstativ
- 3 - Glasshylle
- 4 - Sammenleggbar hylle
- 5 - Humidity Zone-skuffdeksel
- 6 - Humidity Zone-skuff
- 7-My Zone-skuffdeksel
- 8 - My Zone-skuff
- 9 - Øvre fryseskuff
- 10 - Frysebrett
- 11 - Nedre fryseskuff
- 12 - Justerbare føtter
- 13 - Dørbalkong



i OBS

På grunn av tekniske endringer og forskjellige modeller kan noen av illustrasjonene i denne håndboken avvike fra din modell.

(HTW5618DN*, HTW5618CN*, HTW5618EN*)

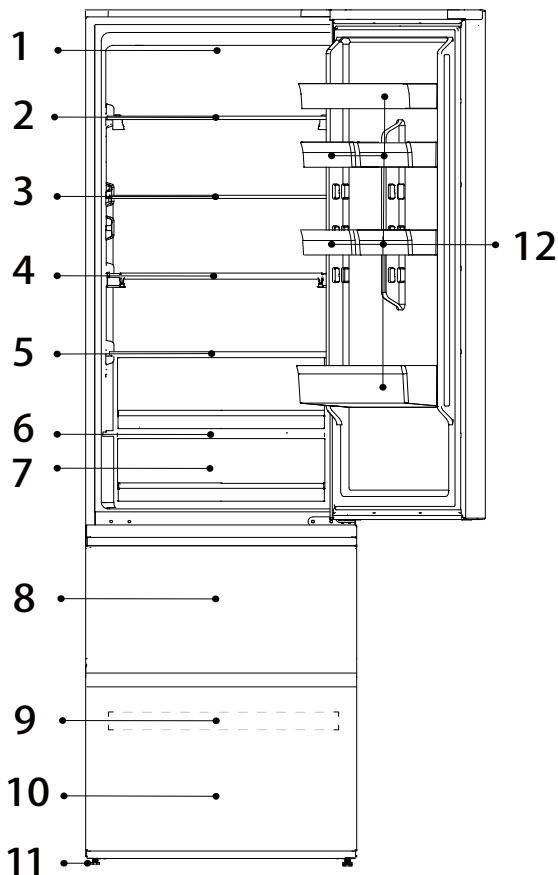


- 1 - Kjøleskap LED-lampe
- 2 - Vinstativ
- 3 - Sammenleggbare hylle
- 4 - Humidity Zone-skuffdeksel
- 5 - Humidity Zone-skuff
- 6 - My Zone-skuffdeksel
- 7 - My Zone-skuff
- 8 - Øvre fryseskuff
- 9 - Frysebrett
- 10 - Nedre fryseskuff
- 11 - Justerbare føtter
- 12 - Dørbalkong

**i** OBS

På grunn av tekniske endringer og forskjellige modeller kan noen av illustrasjonene i denne håndboken avvike fra din modell.

(HTW3620EN*, HTW3620DN*, HTW3620CN*)

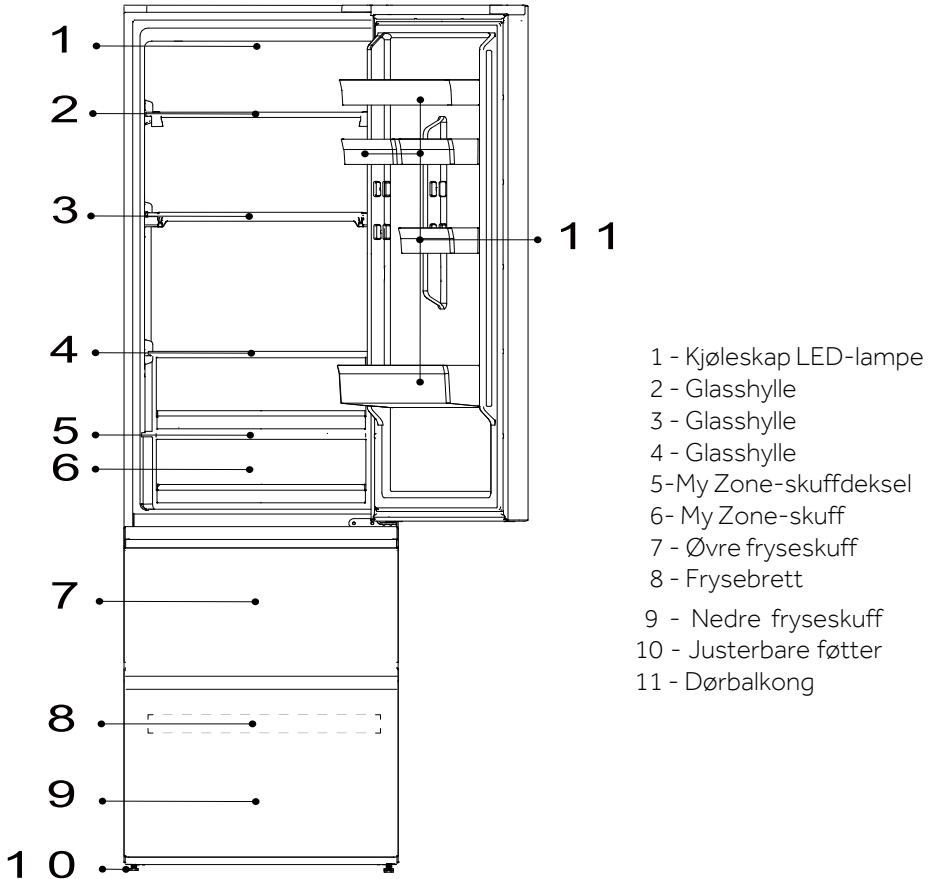


- 1 - Kjøleskap LED-lampe
- 2 - Glasshylle
- 3 - Glasshylle
- 4 - Glasshylle
- 5 - Glasshylle
- 6 - My Zone-skuffdeksel
- 7 - My Zone-skuff
- 8 - Øvre fryseskuff
- 9 - Frysebrett
- 10 - Nedre fryseskuff
- 11 - Justerbare føtter
- 12 - Dørbalkong

i OBS

På grunn av tekniske endringer og forskjellige modeller kan noen av illustrasjonene i denne håndboken avvike fra din modell.

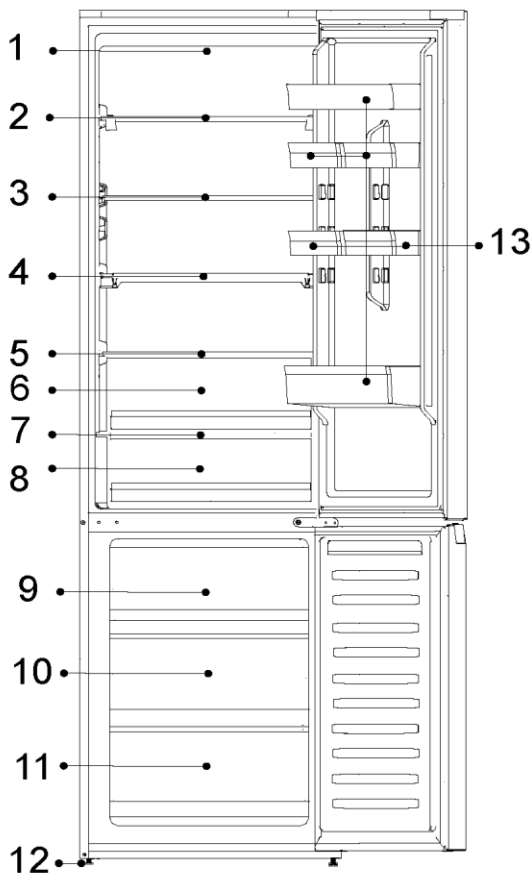
(HTW3618EN*, HTW3618DN*, HTW3618CN*)



**i** OBS

På grunn av tekniske endringer og forskjellige modeller kan noen av illustrasjonene i denne håndboken avvike fra din modell.

(HDPW5620DN*, HDPW5620CN*, HDPW5620BN*, HDPW5620AN*)

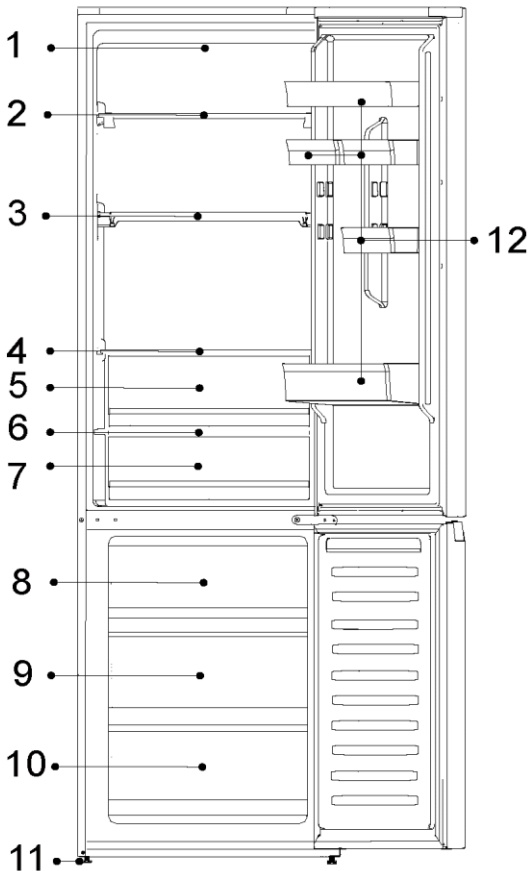


- 1 - Kjøleskap LED-lampe
- 2 - Vinstativ
- 3 - Glasshylle
- 4 - Sammenleggbare hylle
- 5 - Humidity Zone-skuffdeksel
- 6 - Humidity Zone-skuff
- 7 - My Zone-skuffdeksel
- 8 - My Zone-skuff
- 9 - Øvre fryseskuff
- 10 - Oppbevaringsskuff i midten av fryseren
- 11 - Nedre fryseskuff
- 12 - Justerbare føtter
- 13 - Dørbalkong

**i** OBS

På grunn av tekniske endringer og forskjellige modeller kan noen av illustrasjonene i denne håndboken avvike fra din modell.

(HDPW5618DN*, HDPW5618CN*)

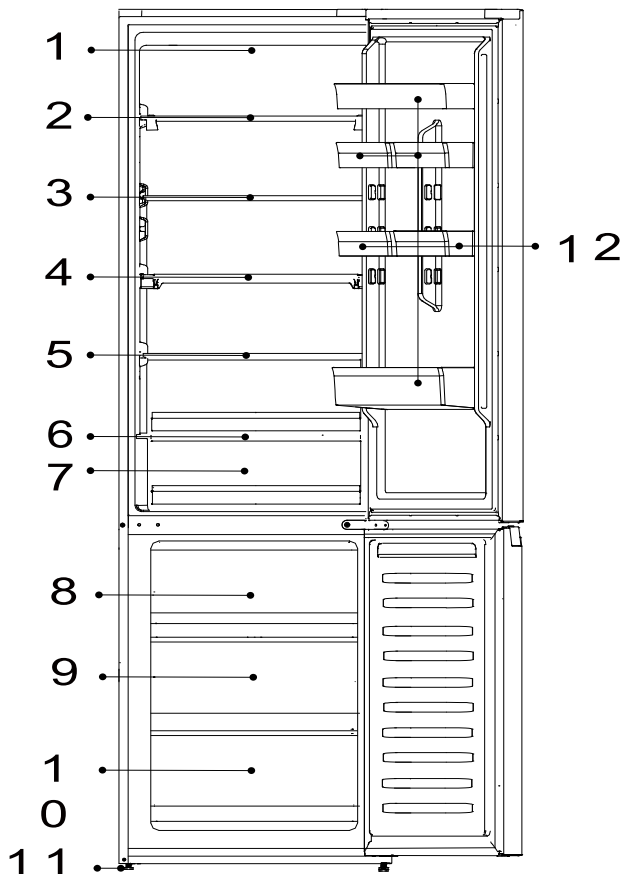


- 1 - Kjøleskap LED-lampe
- 2 - Vinstativ
- 3 - Sammenleggbare hylle
- 4 - Humidity Zone-skuffdeksel
- 5 - Humidity Zone-skuff
- 6 - My Zone-skuffdeksel
- 7 - My Zone-skuff
- 8 - Øvre fryseskuff
- 9 - Oppbevaringsskuff i midten av fryseren
- 10 - Nedre fryseskuff
- 11 - Justerbare føtter
- 12 - Dørbalkong


OBS

På grunn av tekniske endringer og forskjellige modeller kan noen av illustrasjonene i denne håndboken avvike fra din modell.

(HDPW3620DN*, HDPW3620CN*)

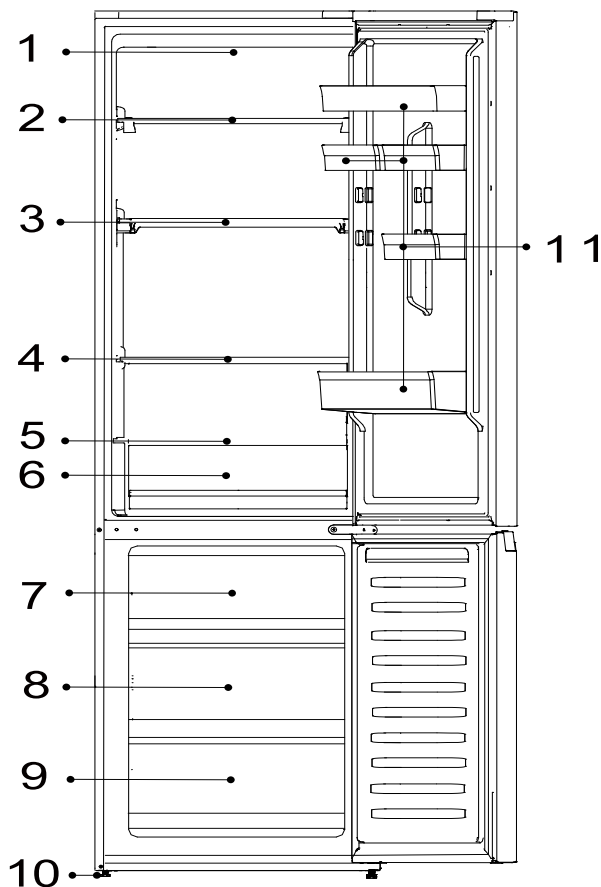


- 1 - Kjøleskap LED-lampe
- 2 - Glasshylle
- 3 - Glasshylle
- 4 - Glasshylle
- 5 - Glasshylle
- 6 - My Zone-skuffdeksel
- 7 - My Zone-skuff
- 8 - Øvre fryseskuff
- 9 - Frysebrett
- 10 - Nedre fryseskuff
- 11 - Justerbare føtter
- 12 - Dørbalkong



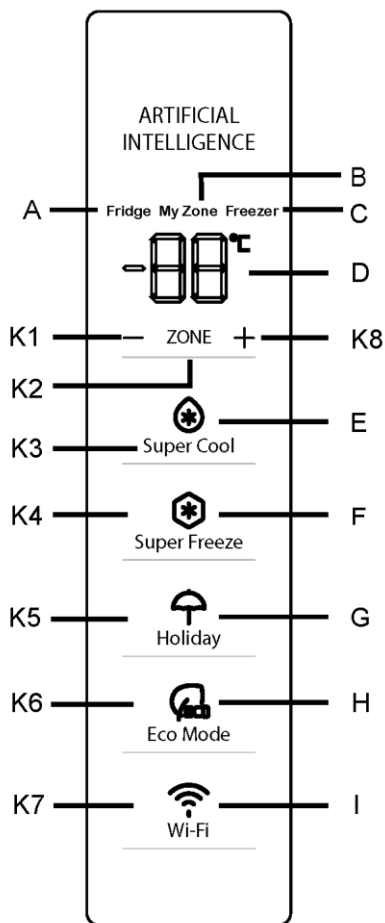
i OBS

På grunn av tekniske endringer og forskjellige modeller kan noen av illustrasjonene i denne håndboken avvike fra din modell.
(HDPW3618DN*, HDPW3618CN*)



- 1 - Kjøleskap LED-lampe
- 2 - Glasshyll
- 3 - Glasshyll
- 4 - Glasshyll
- 5 - My Zone-skuffdeksel
- 6 - My Zone-skuff
- 7 - Øvre fryseskuff
- 8 - Frysebrett
- 9 - Nedre fryseskuff
- 10 - Justerbare føtter
- 11 - Dørbalkong

Kontrollpanel



Indikatorer:

- A Kjøleskap
- B Chill-rom (My Zone)
- C Fryserom
- D Temperaturvisning
- E Super Cool-funksjon
- F Super Freeze-funksjon
- G Holiday-funksjon
- H Eco Mode-funksjon
- I Wi-Fi-funksjon

Knapper:

- K1 Reduser temperatur
- K2 Utvalg av Kjøleskap, My Zone og Fryser
- K3 Super Cool-funksjon på/av
- K4 Super Freeze-funksjon på/av
- K5 Holiday-funksjon på/av
- K6 Eco Mode-funksjon på/av
- K7 Wi-Fi-funksjon på/av
- K8 Øk temperaturen

Før første gangs bruk

Fjern all emballasje, oppbevar den utenfor barns rekkevidde og kast den på en miljøvennlig måte.

Rengjør innsiden og utsiden av apparatet samt interiøret og tilbehøret med vann og et mildt rengjøringsmiddel, og tørk det godt med en myk klut.

Etter at apparatet er nivellert og rengjort, vennligst vent i minst 2 timer før du kobler det til strømforsyningen. Se avsnitt INSTALLASJON.

Forkjøl rommene ved høye innstillinger før du fyller med mat. Funksjonen Super Freeze hjelper til med å kjøle ned frysedelen raskt

Sensortaster

Knappene på kontrollpanelet er sensortaster, som allerede reagerer ved lett berøring med fingeren.

Slå på/av apparatet

Apparatet er i drift så snart det er koblet til strømforsyningen.

Når apparatet slås på for første gang, viser temperaturindikatorene "D" forhåndsinnstillingsverdiene (se merknaden nedenfor).

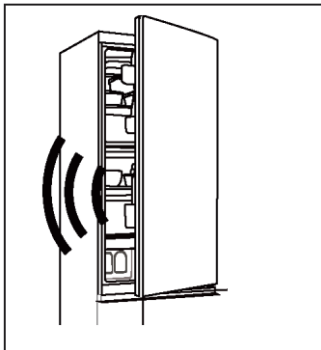
OBS

Apparatet er forhåndsinnstilt til anbefalt temperatur på 5 °C (kjøleskap) og -18 °C (fryser). My Zone-temperatur er forhåndsinnstilt til ca. 2 °C. Dette er de anbefalte innstillingene. Hvis du ønsker det, kan du endre temperaturen manuelt.

Døråpningsalarm

Når kjøleskapsdøren er åpen i mer enn 3 minutter, vil døråpningsalarmen høres.

Alarmen kan dempes ved å lukke døren. Hvis døren er åpen i mer enn 7 minutter, vil lyset inne i kjøleskapet og kontrollpanelets belysning automatisk slå seg av.



Juster temperaturen

Innendørstemperaturene påvirkes av følgende faktorer:

- ▶ Omgivelsestemperatur
- ▶ Hyppighet av døråpning
- ▶ Mengde lagret mat
- ▶ Installasjon av apparatet



Juster temperaturen for kjøleskapet

1. Trykk på knappen "K2" (Kjøleskap/ (My Zone)/ Fryservalg) for å velge kjøleseksjonen. Ikon "A" (kjøleskap) og "D" (temperaturvisning) lyser.
2. Trykk på tasten "K1/K8" for å stille inn kjøleskapstemperaturen.

Temperaturen øker i sekvenser på 1 °C, fra minimum 2 °C til maksimalt 8 °C. Den optimale temperaturen i kjøleskapet er 5°C. Kaldere temperaturer betyr unødvendig energiforbruk.

3. Etter ca. 5 sekunder vil temperaturikonet "D" (temperaturvisning) lyse permanent og innstillingen er bekreftet.

Juster temperaturen for fryseren

1. Trykk på knappen "K2" (Kjøleskap/ (My Zone) / Fryservalg) for å velge fryseeksjonen. Ikonet "C" (Fryserom) og "D" (Temperaturdisplay) lyser.
2. Trykk på knappen "K1/K8" for å stille inn frysetemperaturen.

Temperaturen øker i sekvenser på 1 °C, fra minimum -24 °C til maksimalt -16 °C. Den optimale temperaturen i kjøleskapet er -18 °C. Kaldere temperaturer betyr unødvendig energiforbruk.

3. Etter ca. 5 sekunder vil temperaturindikator "D" (temperaturdisplay) lyse permanent og innstillingen bekreftes.

Juster temperaturen for My Zone

Kjølerommet er utstyrt med en My Zone-skuff. I samsvar med kravene til oppbevaring av mat, kan den mest passende temperaturen velges for å få den optimale næringsverdien til matvarene.

1. Trykk på tasten "K2" (kjøleskap/ (My Zone)/ fryser valg) for å velge My Zone-rommet. Ikonet "B" (My Zone-rom) og "D" (temperaturdisplay) lyser.
2. Trykk på knappen "K1/K8" for å stille inn My Zone-temperaturen.

Temperaturen øker i sekvenser på 1°C, fra minimum 0°C til maksimalt 5°C.

3. Etter ca. 5 sekunder vil temperaturikonet "D" (temperaturvisning) lyse permanent og innstillingen er bekreftet.



OBS

1. Du kan stille inn temperaturen på My Zone-rommet på mellomnivået (2°C), for å bevare maten i det optimale oppbevaringsmiljøet.
2. På grunn av ulikt vanninnhold i kjøtt vil noe kjøtt med høyere fuktighet fryses ved temperaturer lavere enn 0 °C, så «umiddelbart oppskåret» kjøtt bør oppbevares i My Zone-skuffen, med minimumstemperatur 0 °C.
3. Kuldefølsom frukt som ananas, avokado, bananer, grapefrukt og grønnsaker som poteter, auberginer, bønner, agurker, zucchini og tomater og ost bør ikke oppbevares i My Zone-skuffen.
4. Hvis kjøleskapstemperaturen er lavere enn My Zone-temperatur, er det normalt at My Zone-temperaturen er lavere enn innstillingstemperaturen for My Zone.

OBS

Etter innstilling av temperaturen, hvis andre knapper trykkes inn innen 5 sekunder, vil gjeldende temperaturinnstilling bekreftes umiddelbart. Hvis ingen knappoperasjon utføres innen 5 sekunder, vises den gjeldende innstilte temperaturen til skjermen slukkes.

OBS

Fra appen er det mulig å tilpasse temperaturen for kjøleskap, fryser og My Zone. Temperaturen kan stilles inn med 1 °C-følsomhet.

Super Cool-funksjon

1. Det anbefales å slå på Super Cool-funksjonen hvis større mengde mat skal lagres (for eksempel etter kjøpet). Super Cool-funksjonen akselererer nedkjølingen av fersk mat og beskytter maten som allerede er lagret mot uønsket oppvarming.
2. Trykk på knappen "K3" eller slå den på fra appen, ikonet "E" (Super Cool funksjon) lyser og funksjonen er aktivert.



i OBS

1. Apparatet går ut av "Super Cool-funksjonen" etter å ha gått inn i "Super Cool-funksjonen" i 6 timer eller trykket på tasten "K3" når ikonet "E" (Super Cool-funksjonen) lyser, eller slå den av fra appen.
2. I tilstanden Super Cool, hvis temperaturen i kjøleskapet er justert, blinker ikonet "E" (Super Cool-funksjonen) for å indikere at denne operasjonen ikke kan utføres.

Super Freeze-funksjon

1. Fersk mat bør fryses så raskt som mulig til kjernen. Dette kan bevare den beste næringsverdien, utseendet og smaken. Super Freeze-funksjonen akselererer frysingen av fersk mat og beskytter maten som allerede er lagret mot uønsket oppvarming. Hvis du trenger å fryse store mengder mat på en gang, anbefales det å sette Super Freeze-funksjonen på i 24 timer før bruk av frosset rom.
2. Trykk på knappen "K4" (innstilling for Super Freeze-funksjon) eller slå den på fra appen, ikonet "F" (Super Freeze-funksjon) lyser og funksjonen er aktivert.

i OBS

1. Apparatet avslutter "Super Freeze-funksjonen" etter å ha gått inn i "Super Freeze-funksjonen" i 50 timer eller trykket på knappen "K4" når ikonet "F" (Super Freeze-funksjon) lyser, eller slå det av fra appen.
2. I tilstanden Super Freeze, hvis temperaturen i fryseseksjonen er justert, blinker ikonet "F" (Super Freeze-funksjon) for å indikere at denne operasjonen ikke kan utføres.

Holiday-funksjon

Holiday-funksjon kan brukes til å redusere energiforbruket til apparatet, når det ikke brukes regelmessig. Når funksjonen er på, skrur kjøleskapet av, mens fryseren vil fortsette å fungere normalt. Funksjonen setter kjøleskapstemperaturen permanent til 17°C.

Dette gjør det mulig å holde døren til det tomme kjøleskapet lukket uten å forårsake lukt eller mugg ved langvarig fravær (f.eks. i ferie). Frysedelen er ledig for din innstilling.

1. Trykk på knappen "K5" (Holiday-funksjon på/av) eller velg funksjonen fra appen, ikonet "G" (Holiday-funksjon) lyser og funksjonen er aktivert.
2. Funksjonen kan deaktiveres ved å trykke på knappen "K5" (Holiday-funksjon på/av) igjen eller ved å stille inn kjøleskapstemperaturen eller ved å utføre en annen innstilling, eller slå den av fra appen.



OBS

1. Under Holiday-funksjonen bør ingen mat oppbevares i kjøleskapet. Temperaturen på + 17 °C er for høy for oppbevaring av mat.
2. Når feriefunksjonen er på, forblir My Zone-ikonet av og kjøleskapsfunksjonen er låst. Hvis temperaturen i kjøleskapet justeres, blinker ikonet "G" (Holiday-funksjon) for å indikere at denne operasjonen ikke kan utføres.

Eco Mode-funksjon

Eco Mode kan aktiveres for å optimalisere ytelsen til apparatet, mens det får den beste lagringen av mat. Hvis du ikke har noen spesielle krav, anbefaler vi at du bruker Eco Mode-funksjonen.

Denne modusen er kjøleskapstemperaturen 5 °C, frysetemperaturen er -18 °C.

1. Trykk på knappen "K6" (Eco Mode-funksjon på/av) eller velg funksjonen fra appen.
2. Ikonet "H" (Eco Mode-funksjon) lyser og funksjonen er aktivert.

Ved å gjenta trinnene ovenfor eller velge en annen funksjon eller slå av appen, kan denne funksjonen slås av igjen. De tidligere innstilte kjølenivåene gjenoprettes.

OBS

Under Eco Mode-funksjonen, hvis temperaturen i kjøleskapet/frysedelen er justert, blinker ikonet "H" (Eco Mode-funksjonen) for å indikere at denne operasjonen ikke kan utføres.



Trinn 1 Last ned hOn-appen fra butikkene.

Trinn 2 Opprett din konto i hOn-appen eller logg på hvis du allerede har en konto.

Trinn 3 Følg instruksjonene for paring i hOn-appen.

Wi-Fi-funksjon

1. Følg instruksjonene i appen for å konfigurere Wi-Fi.
2. Når Wi-Fi er konfigurert og tilkoblingen opprettet, er Wi-Fi-ikonet "I" lyst og fast.
3. Hvis Wi-Fi allerede er konfigurert, kobles det automatisk til igjen i henhold til konfigurasjonsinformasjonen hvis Wi-Fi slås på.

i OBS

1. For å slå av Wi-Fi, trykk på Wi-Fi-knappen "K7" og Wi-Fi-ikonet "I" slås av.
2. For å slå på Wi-Fi og starte konfigureringen, trykk på Wi-Fi-knappen "K7" og Wi-Fi-ikonet "I" begynner å blinke sakte. Hvis du vil konfigurere Wi-Fi-funksjonen, trykker du på knappen "K7" i 3 sek, Wi-Fi-ikonet blinker raskt og går inn i konfigurasjonsmodus. Hvis du vil slå av Wi-Fi-funksjonen, trykk på knappen "K7" én gang. Trinnene ovenfor gjentas.
3. Hvis produktet er konfigurert og Wi-Fi-funksjonen var slått av, vil ikke kjøleskapet gå inn i konfigurasjonsmodus etter at strømmen er koblet til igjen.

i OBS

1. Dette produktet er ikke beregnet for kommersiell bruk.
2. Maks RF-utgangseffekt: 2,4 GHz Wi-Fi: 16dBm;
3. Bluetooth® Low Energy: 5dBm; Bluetooth®(BR/EDR): 10dBm.
4. Frekvensbånd for drift: 2400-2483,5 MHz.



Bluetooth®-ordmerket og -logoene er registrerte varemerker som eies av Bluetooth SIG, Inc., og all bruk av slike merker av Candy Hoover Group SRL skjer under lisens. Andre varemerker og handelsnavn tilhører sine respektive eiere.

Oppbevaring i kjøleskapet

- Hold kjøleskapstemperaturen under 5 °C.
- Varm mat må avkjøles til romtemperatur før den lagres i apparatet.
- Mat som er lagret i kjøleskapet, bør vaskes og tørkes før oppbevaring.
- Mat som skal oppbevares bør være forsvarlig forseglet for å unngå lukt- eller smaksendringer.
- Ikke oppbevar for store mengder mat. La det være mellomrom mellom matvarene slik at kald luft kan strømme rundt dem, for en bedre og mer homogen avkjøling.
- Mat som spises daglig bør oppbevares foran på hyllen.
- La det være et gap mellom maten og de indre veggene, slik at luften kan strømme. På noen måte, ikke oppbevar matvarer mot bakveggen: matvarer kan fryse mot bakveggen. Unngå direkte kontakt av mat (spesielt fet eller sur mat) med innerliner, da olje/syre kan erodere innerliner. Rens bort oljeaktig/surt smuss når det blir funnet.
- Frossen mat kan avkjøles forsiktig i kjøleskapet. Dette sparer energi.
- Aldringsprosessen til frukt og grønnsaker som squash, meloner, papaya, bananer, ananas osv. kan fremskyndes i kjøleskapet. Derfor anbefales det ikke å oppbevare dem i kjøleskapet. Imidlertid kan modningen av sterkt grønne frukter fremmes i en viss periode. Løk, hvitløk, ingefær og andre rotgrønnsaker bør også oppbevares ved romtemperatur.
- Ubehagelig lukt inne i kjøleskapet er et tegn på at noe har sølt og rengjøring er nødvendig. Se Stell og rengjøring.
- Ulike matvarer bør plasseres i forskjellige områder i henhold til deres egenskaper.

Oppbevaring i fryseren

- Hold fryseren ved -18 °C.
- Slå på Super-Freeze-funksjonen 24 timer før frysing. For små mengder mat er 4-6 timer tilstrekkelig.
- Varm mat må avkjøles til romtemperatur før oppbevaring i fryseseksjonen.
- Mat kuttet i små porsjoner vil fryse raskere, og vil være lettere å tine og tilberede. Den anbefalte vekten for hver porsjon er mindre enn 2,5 kg
- Det er bedre å pakke maten før du legger den i fryseren. Utsiden av emballasjen må være tørr for å unngå at poser klistrer seg sammen. Emballasjematerialer skal være luktfritt, lufttett, ikke-giftig og ikke-giftig.



- For å unngå utløp av lagringsperioder, vær oppmerksom på frysedato, tidsbegrensning og navn på maten på emballasjen i henhold til oppbevaringsperioder for ulike matvarer.



ADVARSEL!

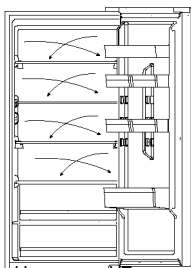
- ▶ Syre, alkali og salt etc. kan erodere den indre overflaten av fryseren.
- ▶ Ikke plasser maten med disse stoffene (f.eks. sjøfisk) direkte på den indre overflaten. Saltvann i fryseren bør ryddes opp umiddelbart.
- ▶ Ikke overskrid matens lagringstid, som anbefalt av produsentene. Ta bare den nødvendige mengden mat ut av fryseren.
- ▶ Spis tint mat raskt. Tint mat kan ikke fryses på nytt med mindre den først er tilberedt, ellers kan den være mindre spiselig.
- ▶ Ikke legg for store mengder fersk mat i fryseseksjonen. Se fryserens frysekapasitet - Se TEKNISKE DATA eller data på typeskiltet.
- ▶ Mat kan oppbevares i fryseren ved en temperatur på minst -18°C i 2 til 12 måneder, avhengig av egenskapene (f.eks. kjøtt: 3-12 måneder, grønnsaker: 6-12 måneder)
- ▶ Når du fryser fersk mat, unngå å bringe dem i kontakt med allerede frossen mat. Fare for tining!

Når du oppbevarer kommersielt frossen mat, følg disse retningslinjene:

- Følg alltid produsentens retningslinjer for hvor lenge du bør oppbevare mat. Ikke overskrid disse retningslinjene!
- Prøv å holde tiden mellom kjøp og lagring så kort som mulig for å bevare matkvaliteten.
- Kjøp frossen mat som har vært lagret ved en temperatur på -18°C eller lavere.
- Unngå å kjøpe mat som har is eller frost på emballasjen - Dette indikerer at produktene kan ha blitt delvis tint og frosset ned på et tidspunkt når temperaturen stiger påvirker kvaliteten på maten.

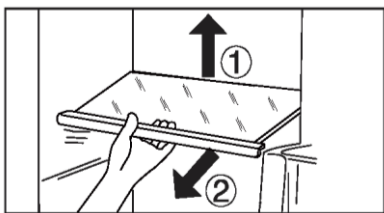
i OBS

På grunn av ulike modeller kan det hende at produktet ikke har alle de følgende funksjonene. Vennligst se kapittel Produktbeskrivelse.I.



Multi-luftstrøm

Kjøleskapet er utstyrt med et multi-air-flow-system, hvor kjøleluftstrømmer er plassert på hvert hyllnivå. Dette bidrar til å opprettholde en jevn temperatur for å sikre at maten holdes ferskere lenger.



Justerbar hylle

1. Høyden på hyllene kan justeres for å passe dine oppbevaringsbehov.
2. For å flytte en hylle, fjern den først ved å løfte bakkanten ① og trekk den ut ②.
3. For å installere den igjen, sett den på tappene på begge sider og skyv den til bakerste posisjon til baksiden av hyllen er festet inne i sporene i sidene.

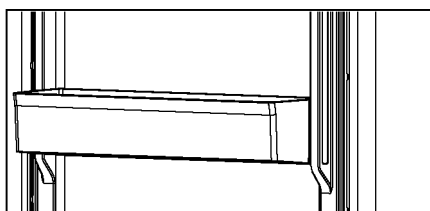
i OBS

Sørg for at alle ender av en hylle er i vater.

Avtakbar dør balkong

Dørbalkongen kan tas av for rengjøring:

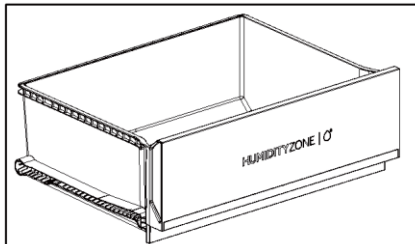
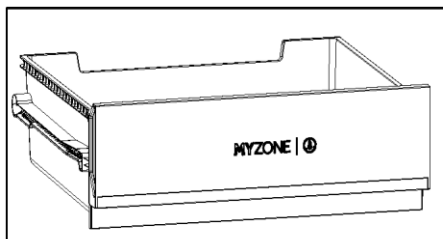
Plasser hendene på hver side av balkongen, løft den oppover (1) og trekk den ut (2). For å sette inn dørbalkongen, utføres trinnene ovenfor i omvendt rekkefølge.





My Zone-skuff

For bruk og innstilling av My Zone-rommet, vennligst se avsnittet BRUK (My Zone).



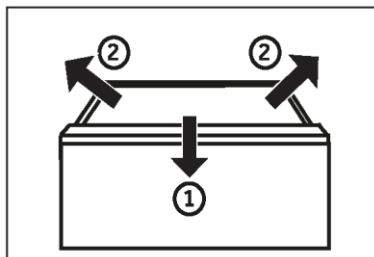
Humidity Zone-skuff

I dette rommet styres fuktighetsnivået automatisk av systemet, og det er egnet for oppbevaring av frukt, grønnsaker, salater etc.

Avtakbar skuff

For å fjerne skuffen fra kjøleskapet eller fryseseksjonen, trekk den maksimalt ut (1), løft og fjern (2).

For å sette inn skuffen, utføres trinnene ovenfor i omvendt rekkefølge.



Fryseskuff

Fryseskuffen kan trekkes ut rett og fullstendig. De er montert på lettrull teleskopskinne. Slik at du kan lagre og fjerne frysevarer komfortabelt. På grunn av den automatiske dørlukkingsmekanismen er håndteringen enkel og du kan spare energi.



ADVARSEL!

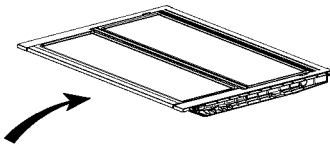
Ikke overbelast skuffene: Maksimal belastning av hver skuff: 35 kg!

Lyset

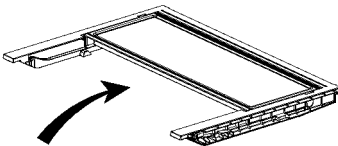
LED-innvendig lys tennes når døren er åpen. Ytelsen til lysene påvirkes ikke av andre apparatinnstillinger.

Sammenleggbare hylle

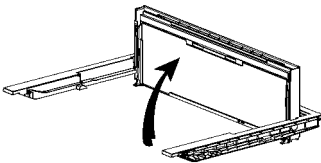
Den sammenleggbare hyllen lar brukeren sette høye flasker eller gjenstander på hyllene. Hyllen kan slås sammen bak og ledig plass på den nederste hyllen blir større. Hyllen kan brettes etter trinn 1-3. Hvis du ønsker å gå tilbake til den opprinnelige plasseringen, reverser følgende prosedyrer.



Trinn 1: Skyv forsiden av hyllen sakte til enden.



Trinn 2: Skyv hyllen sakte oppover til dens vertikale plassering.



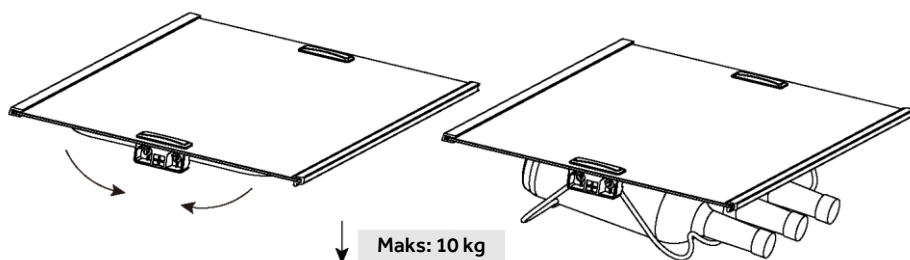
Trinn 3: Hyllen er vertikal. Det vil spare plass.

Sammenleggbart vinstativ

For vanlig bruk

1. Trekk ned brakettene til vinstativet.
2. Sett flaskene inn i stativet

Når den ikke er i bruk, kan vinstativet foldes tilbake for å spare plass.





Energisparetips

- ▶ Sørg for at apparatet er skikkelig ventilert (se INSTALLASJON).
- ▶ Ikke installer apparatet i direkte sollys eller i nærheten av varmekilder (f.eks. komfyrer, varmeovner).
- ▶ Unngå unødvendig lav temperatur i apparatet. Energiforbruket øker med synking av den innstilte temperaturen i apparatet.
- ▶ Funksjoner som SUPER FREEZE bruker mer energi.
- ▶ La varm mat avkjøles før du plasserer den i apparatet.
- ▶ Åpne apparatdøren så lite og kort som mulig.
- ▶ Ikke overfyll apparatet for å unngå å hindre luftstrømmen.
- ▶ Unngå luft i matemballasjen.
- ▶ Hold dørpakninger rene slik at døren alltid lukkes riktig.
- ▶ Frys frossen mat i kjøleskapsoppbevaringsrommet eller bruk D-Frost-funksjonen i My Zone-skuffen.
- ▶ Den mest energibesparende konfigurasjonen krever at skuff, matboks og hyller plasseres i apparatet i en fabrikkfri tilstand, og at mat plasseres uten å blokkere luftutløpet til kanalen.

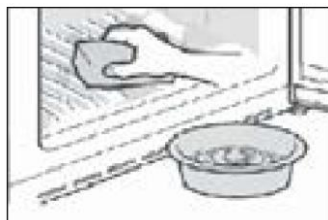
**ADVARSEL!****Rengjøring**

Rengjør apparatet når bare lite eller ingen mat er lagret.

Apparatet bør rengjøres hver fjerde uke for godt vedlikehold og for å forhindre dårlig matlagring.

**ADVARSEL!**

- ▶ Ikke rengjør apparatet med harde børster, stålbørster, vaskemiddelpulver, bensin, amylacetat, aceton og lignende organiske løsninger, sure eller alkaliske løsninger. Rengjør med spesielt kjøleskapsvaskemiddel for å unngå skade.
- ▶ Ikke spray eller skylt apparatet under rengjøring.
- ▶ Ikke bruk vannspray eller damp for å rengjøre apparatet.
- ▶ Ikke rengjør de kalde glasshyllene med varmt vann. Plutselige temperaturendringer kan føre til at glasset knuses.
- ▶ Ikke berør innsiden av fryserommet, spesielt med våte hender, siden hendene dine kan fryse fast på overflaten.
- ▶ Ved oppvarming kontroller tilstanden til frose varer.



- ▶ Hold alltid dørpakningen ren.
- ▶ Rengjør innsiden og huset til apparatet med en svamp fuktet i varmt vann og nøytralt rengjøringsmiddel.
- ▶ 1. Skrubbe innsiden og utsiden av kjøleskapet, inkludert dørforsegling, dørhyll, glasshyller, bokser og så videre, med et mykt håndkle eller svamp dyppet i varmt vann (du kan tilsette nøytralt vaskemiddel i det varme vannet).
- ▶ 2. Hvis det er sølt væske, fjern alle de forurensede delene, skylt direkte med strømningsvannet, tørk og sett den tilbake i kjøleskapet.
- ▶ 3. Hvis det er sølt krem (som krem, smeltende is krem), fjern alle de forurensede delene, legg i varmt vann med ca. 40 °C i en stund, skylt deretter med flyte vannet, tørk og legg det tilbake i kjøleskapet.
- ▶ 4. I tilfelle en liten del eller komponent setter seg fast inne i kjøleskapet (mellom hyller eller skuffer), bruk en liten myk børste for å frigjøre den. Hvis du ikke kunne nå delen, kontakt Haier-service
- ▶ Skylt og tørk med en myk klut.
- ▶ Ikke rengjør deler av apparatet i oppvaskmaskin.
- ▶ La det gå minst fem minutter før du starter apparatet på nytt, ettersom hyppig start kan skade kompressoren.

Avriming

Avrimingen av kjøleskapet og fryseseksjonen gjøres automatisk; ingen manuell betjening er nødvendig.

Skifte ut LED-lampene



ADVARSEL!

Ikke skift ut LED-lampen selv, den må kun skiftes av enten produsenten eller en autorisert serviceagent.

Lampene bruker LED som lyskilde, med lavt energiforbruk og lang levetid. Hvis det er noe unormalt, vennligst kontakt kundeservice. Se KUNDESERVICE.

Parametre til lampene:

Del	LED-lampe
Spenning	12 V
Maks effekt	1,5W
LED-spes	Hvit-2835
LED effektivitetsklasse	G
Brukstemperatur	-40~80 C

Ikke brukt over lengre tid

Hvis apparatet ikke skal brukes over en lengre periode, og du ikke vil bruke Holiday-funksjonen til kjøleskapet:

Ta ut maten.

Trekk ut strømledningen.

Rengjør apparatet som beskrevet ovenfor.

Hold dørene åpne for å forhindre dannelse av vond lukt inne.



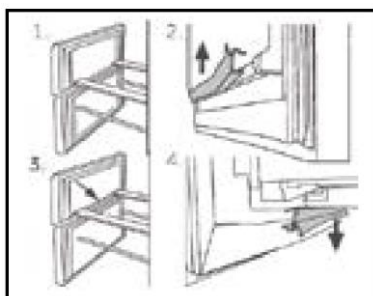
OBS

Slå av apparatet kun hvis det er strengt nødvendig.

Avtakbare ekstra dørpakninger

Det er seks ekstra dørpakninger på den øvre og nedre fryseskuffen.

1. Finn de fem indikerte dørpakningene på den øvre og nedre fryseskuffen.
 2. Pass på at de bøyde skivene av pakningene peker innover mens du fester.
 3. Finn den nedre pakningen på den øvre skuffen som vist.
 4. Pass på at den bøyde delen av denne pakningen peker nedover mens den festes.
- Disse pakningene samt svingdøren/skuffepakningene får du via kundeservice (se garantikort).



Flytte apparatet

1. Fjern all mat og trekk ut stikkkontakten.
2. Fest hyller og andre bevegelige deler i kjøleskapet og fryseren med teip.
3. Ikke vipp kjøleskapet mer enn 45° for å unngå å skade kjølesystemet.



ADVARSEL!

- ▶ Ikke løft apparatet i håndtakene.
- ▶ Plasser aldri apparatet horisontalt på bakken.



Mange oppståtte problemer kan løses av deg selv uten spesifikk ekspertise. I tilfelle et problem, sjekk alle viste muligheter og følg instruksjonene nedenfor før du kontakter en ettersalgsservice. Se KUNDESERVICE.



ADVARSEL!

- ▶ Før vedlikehold, deaktiver apparatet og trekk støpselet ut av stikkontakten.
- ▶ Elektrisk utstyr skal kun vedlikeholdes av kvalifiserte elektroeksperter, fordi feilaktige reparasjoner kan forårsake betydelige følgeskader.
- ▶ En skadet forsyning bør kun erstattes av produsenten, dennes serviceagent eller lignende kvalifiserte personer for å unngå fare.

Feilsøkingstabell

Problem	Mulig årsak	Mulig løsning
Kompressoren fungerer ikke.	Støpselet er ikke koblet til stikkontakten.	Koble til hovedstøpselet.
	Apparatet er i avrimingssyklusen.	Dette er normalt for en automatisk tining.
Apparatet går ofte eller går i for lang tid.	Inne- eller utendørstemperaturen er for høy.	I dette tilfellet er det normalt at apparatet går lenger.
	Apparatet har vært avslått i en periode.	Normalt tar det 8 til 12 timer før apparatet har kjølt seg helt ned.
	En dør/skuff til apparatet er ikke tett lukket.	Lukk døren/skuffen og sørg for at apparatet er plassert på et jevnt underlag og at det ikke er mat eller beholdere som skurrer i døren.
	Døren/skuffen har vært åpnet for ofte eller for lenge.	Ikke åpne døren/skuffen for ofte.
	Temperaturinnstillingen for fryseseksjonen er for lav.	Still inn temperaturen høyere til en tilfredsstillende kjøleskapstemperatur oppnås. Det tar 24 timer før kjøleskapstemperaturen blir stabil.
	Dør-/skuffepakningen er skitten, slitt, sprukket eller feilaktig.	Rengjør dør-/skuffepakningen eller bytt dem gjennom kundeservice.
	Den nødvendige luftsirkulasjonen er ikke garantert.	Sørg for tilstrekkelig ventilasjon.



Problem	Mulig årsak	Mulig løsning
Innsiden av kjøleskapet er skittent og/eller lukter.	Innsiden av kjøleskapet trenger rengjøring.	Rengjør innsiden av kjøleskapet.
	Mat med sterk lukt oppbevares i kjøleskapet.	Pakk inn maten grundig.
Det er ikke kaldt nok inne i apparatet.	Temperaturen er satt for høyt.	Tilbakestill temperaturen
	For varm mat har blitt lagret.	Avkjøl alltid maten før du oppbevarer dem.
	For mye mat har blitt lagret på en gang.	Oppbevar alltid små mengder mat.
	Maten er for nær hverandre.	La det være et mellomrom mellom flere matvarer slik at luften kan strømme.
	En dør/skuff til apparatet er ikke tett lukket.	Lukk døren/skuffen.
Det er for kaldt inne i apparatet.	Døren/skuffen har vært åpnet for ofte eller for lenge.	Ikke åpne døren/skuffen for ofte.
	Temperaturen er satt for lavt.	Tilbakestill temperaturen.
Det er for kaldt inne i apparatet.	Super Freeze-funksjonen er aktivert eller kjører for lenge.	Slå av Super Freeze-funksjonen.
	Klimaet er for varmt og for fuktig.	Øk temperaturen.
Det dannes fuktighet på innsiden av kjøleseksjonen.	En dør/skuff til apparatet er ikke tett lukket.	Lukk døren/skuffen.
	Døren/skuffen har vært åpnet for ofte eller for lenge.	Ikke åpne døren/skuffen for ofte.
	Matbeholdere eller væsker står åpne.	La varm mat avkjøles til romtemperatur og dekk til mat og væske.
Fuktighet samler seg på kjøleskaps utside eller mellom dører/dør og skuff.	Klimaet er for varmt og for fuktig.	Dette er normalt i fuktig klima og vil endre seg når luftfuktigheten synker.
	Døren/skuffen er ikke tett lukket.	Sørg for at døren/skuffen er tett lukket.



Problem	Mulig årsak	Mulig løsning
Sterk is og frost i frysedelen.	Maten var ikke tilstrekkelig pakket.	Pakk alltid matvarene godt.
	lukket.	
	Døren/skuffen har vært åpnet for ofte eller for lenge.	Ikke åpne døren/skuffen for ofte.
	Dør-/skuffepakningen er skitten, slitt, sprukket eller feilaktig.	Rengjør dør-/skuffepakningen eller bytt dem ut med nye.
	Noe på innsiden hindrer døren/skuffen i å lukke eiendom.	Flytt hyllene, dørhyllene eller innvendige beholdere for å la døren/skuffen lukkes.
Apparatet lager unormale lyder.	Apparatet er ikke plassert på jevnt underlag.	Juster føttene for å nivellere apparatet.
	Apparatet berører en gjenstand rundt seg.	Fjern gjenstander rundt apparatet.
En svak lyd kan høres som ligner på rennende vann.	Dette er normalt.	/
Du vil høre en alarm pipe.	Døren til kjøleskapet er åpen.	Lukk døren eller slå av alarmen manuelt.
Du vil nærme deg en svak summing.	Anti-kondenssystemet fungerer.	Dette forhindrer kondens og er normalt.
Innvendig belysning eller kjøle-system fungerer ikke.	Hovedstøpselet er ikke koblet til hovedkontakten	Koble til hovedstøpselet.
	Strømforsyningen er ikke intakt.	Kontroller strømforsyningen til rommet. Ring det lokale strømselskapet!
	LED-lampen er ute av drift.	Ring service for bytte av lampe.
Sidene på skapet og dørlisten blir varme.	Dette er normalt.	/
Det kommer ikke vann ut av vanndispenserutløpet	Låsen er ikke deaktivert.	Deaktiver låsen



Strømbrydd

- ▶ I tilfelle strømbrydd skal maten holde seg kald i ca. 13 timer. Følg disse tipsene under et lengre strømbrydd, spesielt om sommeren.
- ▶ Ikke legg ekstra mat i apparatet under strømbrydd.
- ▶ Hvis det er gitt forhåndsvarsel om strømbrydd og avbryddsvarigheten er lengre enn 13 timer, lag noen isbiter og legg dem i en beholder på øverste hylle i kjøleskapet.
- ▶ En inspeksjon av matvarene er nødvendig umiddelbart etter avbryddet.
- ▶ Ettersom temperaturen i kjøleskapet vil stige under et strømbrydd eller annen feil, vil lagringsperioden og spiselig kvalitet på maten reduseres. All mat som tines bør enten konsumeres eller kokes og fryses ned (der det er egnet) like etterpå for å forhindre helseisiko.

OBS

Minnefunksjon under strømbrydd

Etter gjenoppretting av strøm fortsetter apparatet med innstillingene som ble angitt før strømbryddet.

For å kontakte teknisk assistanse, besøk nettstedet vårt:

<https://corporate.haier-europe.com/en/>

Under avsnittet «nettsted» velger du merket til produktet og landet ditt.

Du vil bli omdirigert til den spesifikke nettsiden hvor du kan finne telefonnummeret og andre måter å kontakte teknisk assistanse på.

Pakke ut



ADVARSEL!

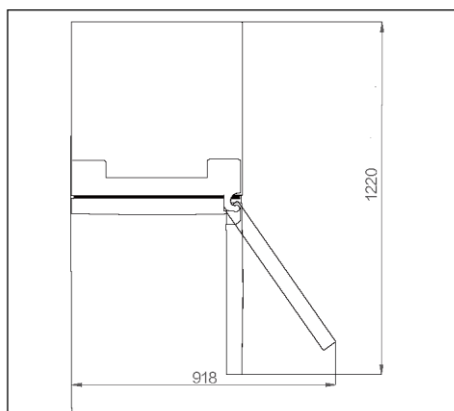
- ▶ Apparatet er tungt. Håndter alltid med minst to personer.
- ▶ Oppbevar alt emballasjemateriale utenfor barns rekkevidde og kast dem på en miljøvennlig måte.
- ▶ Ta apparatet ut av emballasjen.
- ▶ Fjern alt emballasjemateriale.

Miljøforhold

Romtemperaturen bør alltid være mellom 10 °C og 43 °C, siden det kan påvirke temperaturen inne i apparatet og energiforbruket. Ikke installer apparatet i nærheten av andre varmeavgivende apparater (ovner, kjøleskap) uten isolasjon.

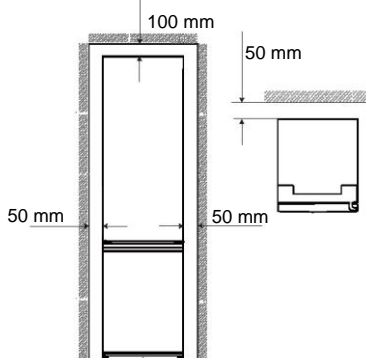
Plassanbefaling

Anbefalt plass når døren åpnes.



Ventilasjonsverrsnitt

For å oppnå tilstrekkelig ventilasjon av apparatet av sikkerhetsgrunner anbefaler vi å følge retningslinjene for plassanbefalinger.

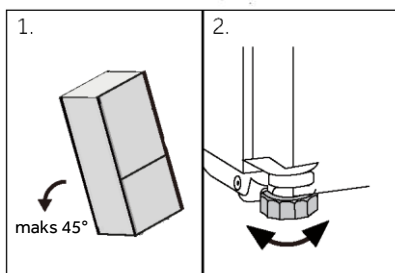


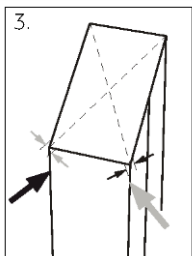
Innretting av apparatet

Apparatet skal plasseres på en flat og solid overflate.

1. Vipp kjøleskapet litt bakover.
2. Still føttene til ønsket nivå.

Sørg for at avstanden til veggen på hengselsiden er minst 100 mm for at døren skal åpnes ordentlig.

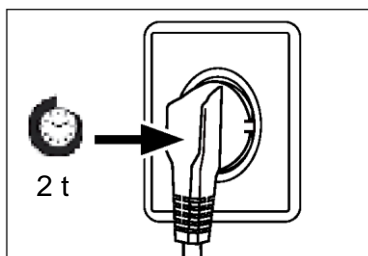




1. Stabiliteten kan kontrolleres ved vekselvis å støte på diagonalene. Den litt svaiende skal være den samme i begge retninger. Ellers kan rammen deformeres; mulig lekkasje dørpakninger er resultatet. En lav tendens bakover letter lukkingen av dørene.

i OBS

For et frittstående apparat: dette kjøleapparatet er ikke ment å brukes som et innebygd apparat



Ventetid

Til den vedlikeholdsfrie smøreoljen er det plassert i kapselen til kompressoren. Denne oljen kan komme gjennom det lukkede rørsystemet under skråtransport. Før du kobler apparatet til strømforsyningen, må du vente i minst 2 timer slik at oljen renner tilbake i kapselen.

Elektrisk tilkobling

Kontroller før hver tilkobling om:

- ▶ strømforsyning, stikkontakt og sikring passer til typeskiltet.
- ▶ strømuttaket er jordet og ingen multiplugg eller forlenger.
- ▶ støpselet og stikkontakten er strengt i samsvar.

Koble støpselet til en riktig installert stikkontakt.



ADVARSEL!

For å unngå risiko må en skadet strømledning skiftes ut av kundeservice (se garantikortet).



Dør-reversibilitet

Før du kobler apparatet til strømforsyningen, bør du sjekke om dørsvingen må endres fra høyre (som levert) til venstre, hvis dette er nødvendig av installasjonsstedet og brukervennligheten.

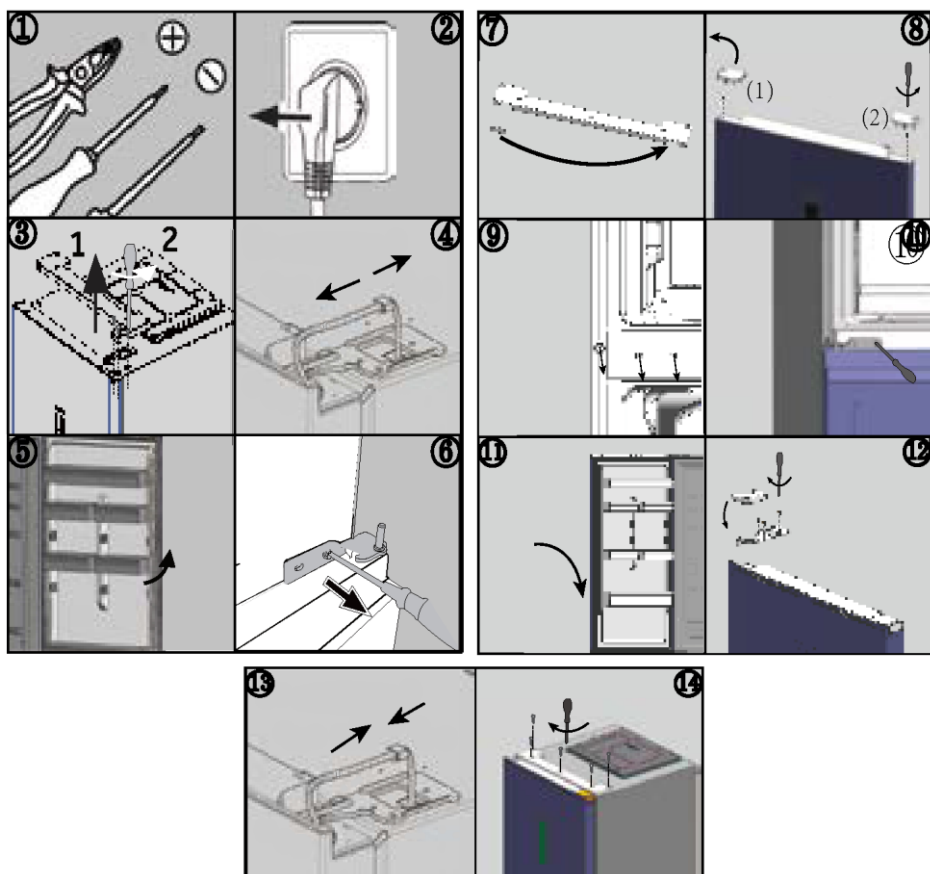


ADVARSEL!

- ▶ Apparatet er tungt. Du trenger to personer for å utføre dørens vendbarhet.
- ▶ Koble apparatet fra strømmettet før enhver operasjon
- ▶ Ikke vipp apparatet mer enn 45 °C for å unngå skade på kjølesystemet.

Monteringstrinn

1. Gi nødvendig verktøy.
 2. Koble fra apparatet.
 3. Fjern det øvre hengseldekselet 1 og skru av det øvre hengselet (tre skruer) på høyre side 2.
 4. Trekk ut tilkoblingskabelen
 5. Løft den løse kjøleskapsdøren forsiktig av det midtre hengslet.
 6. Fjern midthengslet.
 7. Fjern det lille dekselet på frontpanelet fra venstre til høyre side.
 8. Snu døren opp ned og skru av dekselet (1). Ta ut det nye dekselet (2) fra den nødvendige posen og skru dem til motsatt side.
 9. Endre plasseringen av blindpluggene og skruen på siden.
 10. Skru det midtre hengslet til venstre side av apparatet. Vær oppmerksom på å snu tappene til midthengslet, og pass på at siden med pakningen vender oppover
 11. Løft den øvre døren forsiktig på det midtre hengselet. Og sørg for at dreietappen passer inn i hengselrøret på den nedre døren.
 12. Ta ut det nye øvre hengselet og hengseldekselet fra tilbehørsposen. Sett tilkoblingskabelen gjennom det øvre hengslet og fest det øvre hengslet med tre skruer på venstre side av apparatet. Og legg hengseldekselet over hengslet.
 13. Plugg inn tilkoblingskabelen.
 14. Bytt frontpanelet og fest det med fem skruer.
- Etter bytte av dør, sjekk om dørpakningene er riktig plassert på huset og alle skruene er godt strammet.



Omgivelsestemperaturer

Utvidet temperert: dette kjøleapparatet er beregnet for bruk ved omgivelsestemperaturer fra 10 °C til 32 °C

Temperert: dette kjøleapparatet er beregnet for bruk ved omgivelsestemperaturer fra 16 °C til 32 °C;

Subtropisk: dette kjøleapparatet er beregnet for bruk ved omgivelsestemperaturer fra 16°C til 38°C;

Tropisk: "dette kjøleapparatet er ment å brukes ved omgivelsestemperaturer fra 16 °C til 43 °C.



Produktparametere i henhold til forordning (EU)2019/2016

Basert på standard testresultater i 24 timer. Faktisk energiforbruk vil avhenge av hvordan apparatet brukes og hvor det er plassert

Modell	HTW5618DN*	HTW5620DN*	HTW5618EN*
Type kjøleapparat	Kjøleskap-fryser	Kjøleskap-fryser	Kjøleskap-fryser
Energieffektivitetsklasse	D	D	E
Årlig energiforbruk (kWh/år)	217	226	271
Volum kjøleskaprom (L)	201	255	201
Volum fryserom (L)	125	125	125
Volum Chill-rom (L)	34	34	34
Fryseklasse	4-stjerners	4-stjerners	4-stjerners
Avrimingstype	Automatisk avriming	Automatisk avriming	Automatisk avriming
Temperaturøkningstid (t)	13	13	11
Frysekapasitet (kg/24t)	10.0	10.0	10.0
Klimaklasse	SN.N.ST.T	SN.N.ST.T	SN.N.ST.T
Støyutslippklasse og luftbåren akustisk støyutslipp (dB(A) re 1 pW)	B(35)	B(35)	B(35)



Modell	HTW5618CN*	HTW5620CN*	HTW5620EN*
Type kjøleapparat	Kjøleskap-fryser	Kjøleskap-fryser	Kjøleskap-fryser
Energieffektivitetsklasse	C	C	E
Årlig energiforbruk (kWh/år)	173	181	283
Volum kjøleskaprom (L)	201	255	255
Volum fryserom (L)	125	125	125
Volum Chill-rom (L)	34	34	34
Fryseklasse	4-stjerners	4-stjerners	4-stjerners
Avrimingstype	Automatisk avriming	Automatisk avriming	Automatisk avriming
Temperaturøkningstid (t)	13	13	11
Frysekapasitet (kg/24t)	10.0	10.0	10.0
Klimaklasse	SN.N.ST.T	SN.N.ST.T	SN.N.ST.T
Støyutslippsklasse og luftbåren akustisk støyutslipp (dB(A) re 1 pW)	B(35)	B(35)	B(35)



Modell	HDPW5618DN*	HDPW5620DN*	HDPW3620DN*
Type kjøleapparat	Kjøleskap-fryser	Kjøleskap-fryser	Kjøleskap-fryser
Energieffektivitetsklasse	D	D	D
Årlig energiforbruk (kWh/år)	214	220	220
Volum kjøleskaprom (L)	201	255	255
Volum fryserom (L)	117	117	
Volum Chill-rom (L)	34	34	34
Fryseklasse	4-stjerners	4-stjerners	4-stjerners
Avrimingstype	Automatisk avriming	Automatisk avriming	Automatisk avriming
Temperaturøkningstid (t)	13	13	11
Frysekapasitet (kg/24t)	10.0	10.0	10.0
Klimaklasse	SN.N.ST.T	SN.N.ST.T	SN.N.ST.T
Støyutslippsklasse og luftbåren akustisk støyutslipp (dB(A) re 1 pW)	B(35)	B(35)	B(35)



Modell	HDPW3618DN*	HDPW3620CN*	HTW3620DN*
Type kjøleapparat	Kjøleskap-fryser	Kjøleskap-fryser	Kjøleskap-fryser
Energieffektivitetsklasse	D	C	D
Årlig energiforbruk (kWh/år)	214	176	226
Volum kjøleskaprom (L)	201	255	255
Volum fryserom (L)	117	117	125
Volum Chill-rom (L)	34	34	34
Fryseklasse	4-stjerners	4-stjerners	4-stjerners
Avrimingstype	Automatisk avriming	Automatisk avriming	Automatisk avriming
Temperaturøkningstid (t)	13	13	13
Frysekapasitet (kg/24t)	10.0	10.0	10.0
Klimaklasse	SN.N.ST.T	SN.N.ST.T	SN.N.ST.T
Støyutslippsklasse og luftbåren akustisk støyutslipp (dB(A) re 1 pW)	B(35)	B(35)	B(35)



Modell	HDPW5618CN*	HDPW5620CN*	HDPW5620AN*
Type kjøleapparat	Kjøleskap-fryser	Kjøleskap-fryser	Kjøleskap-fryser
Energieffektivitetsklasse	C	C	A
Årlig energiforbruk (kWh/år)	171	176	114
Volum kjøleskaprom (L)	201	255	255
Volum fryserom (L)	117	117	120
Volum Chill-rom (L)	34	34	34
Fryseklasse	4-stjerners	4-stjerners	4-stjerners
Avrimingstype	Automatisk avriming	Automatisk avriming	Automatisk avriming
Temperaturøkningstid (t)	13	13	16
Frysekapasitet (kg/24t)	10.0	10.0	10.0
Klimaklasse	SN.N.ST.T	SN.N.ST.T	SN.N.ST.T
Støyemisjonsklasse og luftbåren akustisk støyutslipp (dB(A) på 1 pW)	B(35)	B(35)	B(35)



Ytterligere tekniske data

Modell	HTW5618DN*	HTW5618EN*	HTW5620DN*
Totalt volum (L)	360	360	414
Spenning/frekvens	220~240V/50Hz	220~240V/50Hz	220~240V/50Hz
inngangsstrøm (A)	1.4	1.4	1.4
Hovedsikring (A)	16	16	16
Kjølemiddel	R600a (53 g)	R600a (53 g)	R600a (53 g)
Dimensjoner (B/D/H i mm)	595/667/1850	595/667/1850	595/667/2050

Modell	HTW5618CN*	HTW5620CN*	HTW5620EN*
Totalt volum (L)	360	414	414
Spenning/frekvens	220~240V/50Hz	220~240V/50Hz	220~240V/50Hz
inngangsstrøm (A)	1.4	1.4	1.4
Hovedsikring (A)	15	15	16
Kjølemiddel	R600a(50g)	R600a(50g)	R600a(53g)
Dimensjoner (B/D/H i mm)	595*667*1850	595*667*2050	595*667*2050



Modell	HDPW5618DN*	HDPW5620DN*	HDPW3620DN*
Totalt volum (L)	352	406	406
Spenning/frekvens	220~240V/50Hz	220~240V/50Hz	220~240V/50Hz
inngangsstrøm (A)	1.4	1.4	1.4
Hovedsikring (A)	16	16	16
Kjølemiddel	R600a(53g)	R600a(53g)	R600a(53g)
Dimensjoner (B/D/H i mm)	595*667*1850	595*667*2050	595*667*2050

Modell	HDPW5618CN*	HDPW5620CN*	HDPW5620AN*
Totalt volum (L)	352	406	409
Spenning/frekvens	220~240V/50Hz	220~240V/50Hz	220~240V/50Hz
inngangsstrøm (A)	1.4	1.4	1.4
Hovedsikring (A)	15	15	15
Kjølemiddel	R600a (50 g)	R600a (50 g)	R600a (50 g)
Dimensjoner (B/D/H i mm)	595/667/1850	595/667/2050	595/667/2050



Modell	HDPW5618CN*	HDPW5620CN*	HDPW5620AN*
Totalt volum (L)	352	406	409
Spenning/frekvens	220~240V/50Hz	220~240V/50Hz	220~240V/50Hz
inngangsstrøm (A)	1.4	1.4	1.4
Hovedsikring (A)	15	15	16
Kjølemiddel	R600a(50g)	R600a(50g)	R600a(50g)
Dimensjoner (B/D/H i mm)	595*667*1850	595*667*2050	595*667*2050



Vi anbefaler vår Haier-kundeservice og bruk av originale reservedeler.
Hvis du har et problem med apparatet, sjekk først avsnittet FEILSØKING.

Hvis du ikke finner en løsning der, ta kontakt

- ▶ din lokale forhandler eller
- ▶ vårt European Call Service-Center (se oppførte telefonnumre nedenfor) eller
- ▶ Service og Support-området på www.haier.com hvor du kan aktivere
- ▶ servicekrav og også finne vanlige spørsmål.

For å kontakte vår tjeneste, sørg for at du har følgende data tilgjengelig.
Informasjonen finner du på typeskiltet.

Modell _____

Serienr. _____

Sjekk også garantikortet som følger med produktet i tilfelle garanti.

Europeisk Call Service-Center		
Land*	Telefonnummer	Kostnader
Haier Italy (IT)	199 100 912	
Haier Spain (ES)	902 509 123	
Haier Germany (DE)	0180 5 39 39 99	<ul style="list-style-type: none"> • 14 Ct/Min fasttelefon • maks 42 Ct/Min Mobil
Haier Austria (AT)	0820 001 205	<ul style="list-style-type: none"> • 14,53 Ct/Min fasttelefon • max 20 Ct/Min alle andre
Haier United Kingdom (UK)	0333 003 8122	
Haier France (FR)	0980 406 409	



* For andre land, se www.haier.com
Haier Europe Trading S.r.l
Filial Storbritannia
Westgate House, Westgate, Ealing
London, W5 1YY

* Varighet av garantien for kjøleapparatet:

Minimumsgarantien er: 2 år for EU-land, 3 år for Tyrkia, 1 år for Storbritannia, 1 år for Russland, 3 år for Sverige, 2 år for Serbia, 5 år for Norge, 1 år for Marokko, 6 måneder for Algeria, Tunisia ingen juridisk garanti.

* Perioden for reservedeler for reparasjon av apparatet:

Termostater, temperatursensorer, kretskort og lyskilder er tilgjengelige i minst sju år etter at den siste enheten av modellen er markedsført.

Dørhåndtak, dørhengsler, skuffer og kurver i minst sju år og dørpakninger i minimum ti år, etter å ha brakt den siste enheten av modellen på markedet.

* For mer informasjon om produktet, vennligst se <https://eprel.ec.europa.eu/> eller skann QR-en på energimerket som følger med apparatet.




Haier

2023 versjon A



0060534356

<u>5 Säkerhetsinformation</u>	Innan apparaten används första gången	6
	Installation	6
	Daglig användning	7
<u>10 Avsedd användning</u>		
<u>11 Produktbeskrivning</u>		
<u>15 Kontrollpanel</u>		
<u>16 Användning</u>	Justera temperaturen för kylan	17
	Justera temperaturen för frysen	17
	Justera temperaturen för My Zone	17
	Super-Cool-funktion	18
	Super-Frz-funktion	19
<u>24 Utrustning</u>		
<u>28 Energispartips</u>		
<u>29 Skötsel och rengöring</u>		
<u>32 Felsökning</u>		
<u>36 Installation</u>		
<u>40 Tekniska data</u>		
<u>46 Kundtjänst</u>		
		
	Klicka på innehållet för att se detaljerad information.	



Tack för att du har köpt en Haier-produkt.

Läs igenom dessa anvisningar noggrant innan du använder apparaten. Instruktionerna innehåller viktig information som hjälper dig att få ut det bästa av apparaten och garanterar en säker och korrekt installation, användning och underhåll. Förvara den här bruksanvisningen på en lämplig plats så att du alltid kan läsa den för att använda apparaten på ett säkert och korrekt sätt.

Om du säljer apparaten, ger bort den eller lämnar den kvar när du flyttar, se till att du också lämnar över den här bruksanvisningen så att den nya ägaren kan bekanta sig med apparaten och säkerhetsföreskrifterna.

Tillbehör

Kontrollera tillbehören och litteraturen i enlighet med denna lista:



Äggbricka



Energimärkning



Garantikort



Bruksanvisning



Bricka för isbitar



Dörrgångjärn



Gångjärnsskydd



Insats

**VARNING - Viktig säkerhetsinformation****OBSERVERA - Allmän information och tips****Miljöinformation****Bortskaffande**

Bidra till att skydda miljön och människors hälsa. Lägg förpackningen i lämpliga behållare för att återvinna den. Hjälp till att återvinna avfall från elektriska och elektroniska apparater. Släng inte apparater märkta med denna symbol med hushållsavfallet. Lämna in produkten till den lokala återvinningsanläggningen eller kontakta ditt kommunala kontor.

**VARNING!**

Risk för skada eller kvävning!

Köldmedier och gaser måste bortskaffas professionellt. Se till att kylmediekretsens slangar inte är skadade innan de kasseras. Koppla bort apparaten från elnätet. Klipp av nätkabeln och kassera den. Ta bort brickor och lådor samt dörrspärrar och tätningar för att förhindra att barn och husdjur stängs in i apparaten.



Innan du slår på apparaten för första gången, läs följande säkerhetsråd!:



VARNING!

Innan apparaten används första gången

- ▶ Se till att det inte finns några transportskador.
- ▶ Ta bort all förpackning och förvara utom räckhåll för barn.
- ▶ Vänta minst två timmar innan du installerar apparaten för att säkerställa att köldmediekretsen är fullt effektiv.
- ▶ Apparaten är tung och ska hanteras av minst två personer.

Installation

- ▶ Apparaten ska placeras på en väl ventilerad plats. Se till att det finns ett utrymme på minst 10 cm över och runt apparaten.
- ▶ Placera aldrig apparaten i ett fuktigt utrymme eller på en plats där vatten kan stänka på apparaten. Rengör och torka vattenstänk och fläckar med en mjuk, ren trasa.
- ▶ Installera inte apparaten i direkt solljus eller i närheten av värmekällor (t.ex. spisar, värmare).
- ▶ Installera och nivellera apparaten på en lämplig plats med hänsyn till användning och storlek.
- ▶ Håll ventilationsöppningarna i apparaten eller i den inbyggda konstruktionen fria från hinder.
- ▶ Kontrollera att den elektriska informationen på typskylten överensstämmer med strömförsörjningen. Om den inte gör det, kontakta en elektriker.
- ▶ Apparaten drivs av en strömförsörjning på 220-240 VAC/50 Hz. Onormala spänningsvariationer kan göra att apparaten inte startar, skada temperaturkontrollen eller kompressorn eller låta konstigt under drift. Om det är så, ska en automatisk regulator installeras.
- ▶ Använd inte adaptrar och förlängningskablar med flera kontakter.
- ▶ Lägg inte flera bärbara uttag eller bärbara strömförsörjningsaggregat bakom produkten.
- ▶ Se till att strömkabeln inte fastnar i kylskåpet. Trampa inte på strömkabeln.

**VARNING!**

- ▶ Använd ett separat jordat uttag för strömförsörjningen som är lätt att komma åt. Apparaten måste jordas.
Endast för UK: Apparaten strömkabel är försedd med en 3-polig jordad kontakt som passar ett standarduttag med 3 poler (jordad). Klipp aldrig av eller demontera den tredje polen (jordad). Kontakten ska vara tillgänglig när apparaten är installerad.
- ▶ Skada inte köldmediekretsen.

Daglig användning

- ▶ Den här apparaten kan användas av barn från åtta års ålder och av personer med nedsatt fysisk, sensorisk eller mental förmåga om de har fått handledning eller instruktioner för säker användning och förstår de faror som är inblandade.
- ▶ Barn i åldern 3–8 år får använda kylskåpet för att ta ut och sätta i mat. De får inte rengöra eller installera kylskåpet.
- ▶ Håll barn under tre år borta från apparaten om de inte är under ständig uppsikt.
- ▶ Barn ska inte leka med apparaten.
- ▶ Om kolgas av annan brandfarlig gas läcker ut i närheten av apparaten, stäng av ventilen för den läckande gasen, öppna dörrar och fönster och dra inte ur strömkabeln till kylskåpet eller någon annan apparat.
- ▶ Observera att apparaten är inställd för drift vid ett specifikt temperaturintervall mellan 10 och 43 °C. Det kan hända att apparaten inte fungerar som den ska om den lämnas under en längre tid vid en temperatur över eller under det angivna intervallet.
- ▶ För att förhindra personskada orsakad av fall eller elchock orsakad av kontakt med vatten, ska instabila föremål (tunga objekt, behållare med vatten) inte placeras ovanpå apparaten.
- ▶ Dra inte i dörrhyllorna. Dörren kan dras snett, flaskstället kan dras bort eller så kan apparaten välta.
- ▶ Öppna och stäng dörrarna endast med handtagen. Mellanrummet mellan dörrarna och skåpet är mycket smalt. Lägg inte händerna i dessa områden för att undvika att fingrarna kläms. Öppna eller stäng kylskåpets dörrar endast när inga barn befinner sig inom dörrrens rörelseområde.



VARNING!

- ▶ Förvara eller använd inte brännbara, explosiva eller frätande material i apparaten eller i dess närhet.
- ▶ Förvara inte mediciner, medel med bakterier eller kemikalier i apparaten. Den här apparaten är en hushållsapparat. Det rekommenderas inte att förvara material som kräver strikta temperaturer.
- ▶ Förvara aldrig vätskor i flaskor eller burkar (förutom högprocentiga spritdrycker), särskilt kolsyrade drycker i frysen, eftersom de spricker under frysning.
- ▶ Kontrollera livsmedlens skick om det har skett en uppvärmning i frysen.
- ▶ Ställ inte in onödigt låg temperatur i kylskåpet. Minustemperaturer kan förekomma vid höga inställningar. Varning: Flaskor kan spricka
- ▶ Rör inte frysta varor med våta händer (bär handskar). Ät framför allt inte isglass omedelbart efter att den har tagits ut ur frysdelen. Det finns riks att blåsor bildas på grund av köldskador. FÖRSTA hjälpen: håll den skadade kroppsdelen under rinnande kallt vatten. Dra inte undan!
- ▶ Rör inte insidan av frysens förvaringsutrymme när den är i drift, särskilt inte med våta händer, eftersom dina händer kan frysa fast på ytan.
- ▶ Koppla ur apparaten i händelse av strömavbrott eller före rengöring. Vänta i minst 7 minuter innan du startar apparaten igen. Frekventa startar kan skada kompressorn.
- ▶ Använd inte elektriska apparater inuti förvaringsutrymmet för matvaror, om de inte är av en typ som rekommenderas av tillverkaren. Underhåll/rengöring
- ▶ Barn som utför rengöring och underhåll ska hållas under uppsikt.
- ▶ Koppla bort apparaten från elnätet innan du utför rutinunderhåll. Vänta i minst 5 minuter innan du startar apparaten igen. Frekventa startar kan skada kompressorn.

**VARNING!**

- ▶ Håll i kontakten, inte kabeln, när du kopplar ur apparaten.
- ▶ Rengör inte apparaten med hårda borstar, stålborstar, rengöringsmedelpulver, bensin, amylacetat, aceton och liknande organiska lösningar, sura eller alkaliska lösningar. Rengör med ett speciellt rengöringsmedel för kylskåp för att undvika skador.
- ▶ Skrapa inte bort frost och is med vassa föremål. Använd inte sprayer, elektriska värmare som värmeelement, hårtork, ångtvättar eller andra värmekällor för att undvika skador på plastdelarna.
- ▶ Använd inte mekaniska hjälpmedel för att skynda på avfrostningen, annat än de som rekommenderas av tillverkaren.
- ▶ Om elsladden skadas måste den bytas av tillverkaren, dennes serviceombud eller liknande kvalificerad person för att undvika faror.
- ▶ Försök inte att reparera, demontera eller modifiera apparaten själv. Kontakta vår kundtjänst angående reparationer.
- ▶ Ta bort dammet på baksidan av enheten minst en gång om året för att undvika brandrisk och ökad energiförbrukning.
- ▶ Spruta eller spola inte i eller på apparaten under rengöringen.
- ▶ Använd inte vattenspray eller ånga för att rengöra apparaten.
- ▶ Rengör inte de kalla glashyllorna med hett vatten. Plötsliga temperaturförändringar kan göra att glaset spricker.

Information om köldmediegas**VARNING!**

Apparaten innehåller det brandfarliga köldmediet ISOBUTANE (R600a). Se till att köldmediekretsen inte skadas under transport eller installation. Läckande köldmedium kan orsaka ögonskador eller antändas. Om en skada har uppstått: håll borta från öppna eldkällor, ventiler rummet ordentligt, koppla inte in eller dra ut nätsladdarna till apparaten eller någon annan apparat. Informera kundtjänsten.

Om ögonen kommer i kontakt med köldmediet, skölj dem omedelbart under rinnande vatten och kontakta omedelbart en ögonspecialist.



Avsedd användning

Den här apparaten är avsedd för att kyla och frysa mat. Den har designats uteslutande för användning i hushåll och liknande tillämpningar som personalkök i butiker, kontor och andra arbetsmiljöer; bondgårdar och av kunder på hotell, motell och andra bostadsmiljöer samt inom bed-and-breakfast och cateringverksamhet. Den är inte avsedd för kommersiell eller industriell användning. Det är inte tillåtet att ändra eller modifiera anordningen. Oavsiktlig användning kan orsaka faror och förlust av garantin.

Standarder och direktiv **CE**

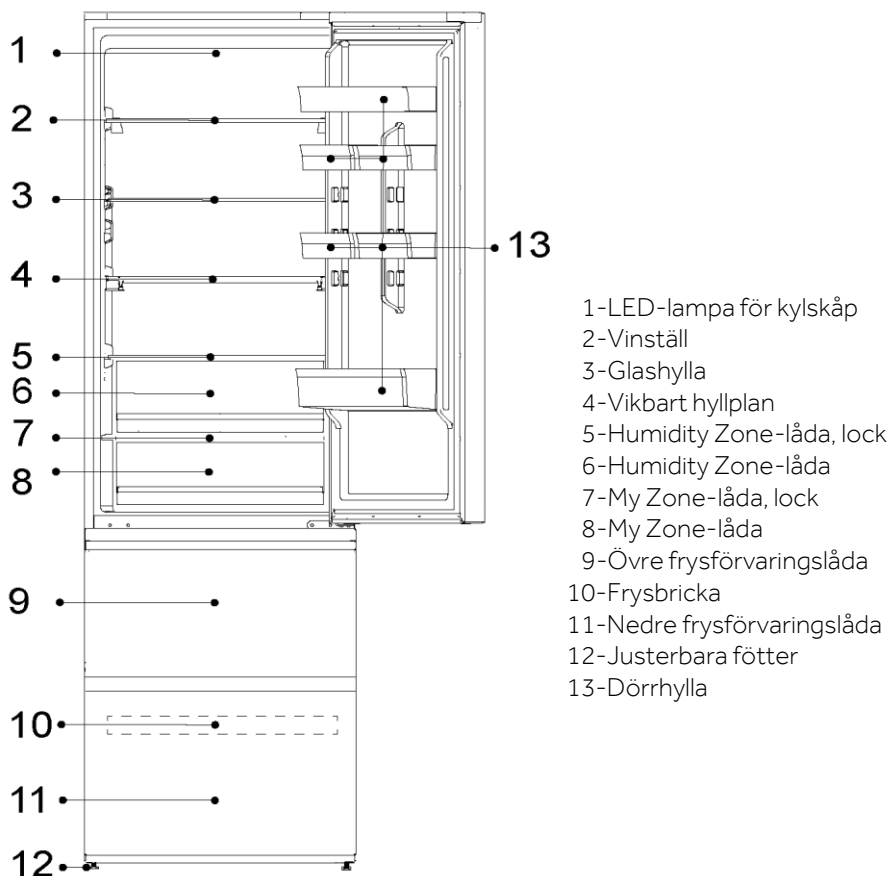
Denna produkt uppfyller kraven i alla tillämpliga EG-direktiv med motsvarande harmoniserade standarder som tillhandahåller CE-märkning.



i UPPMÄRKSAMMA

På grund av tekniska förändringar och olika modeller kan vissa illustrationer i den här bruksanvisningen skilja sig från modellen.

(HTW5620EN*, HTW5620DN*, HTW5620CN*)

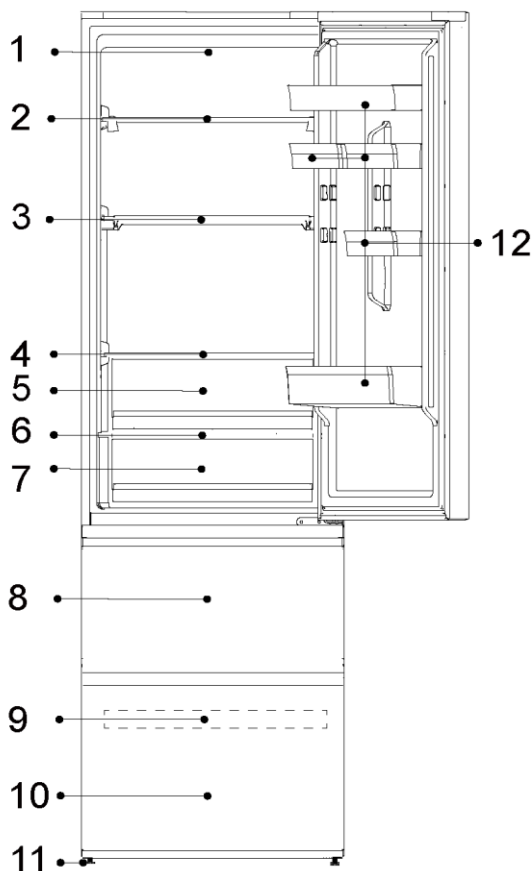




i UPPMÄRKSAMMA

På grund av tekniska förändringar och olika modeller kan vissa illustrationer i den här bruksanvisningen skilja sig från modellen.

(HTW5618DN*, HTW5618CN*, HTW5618EN*)



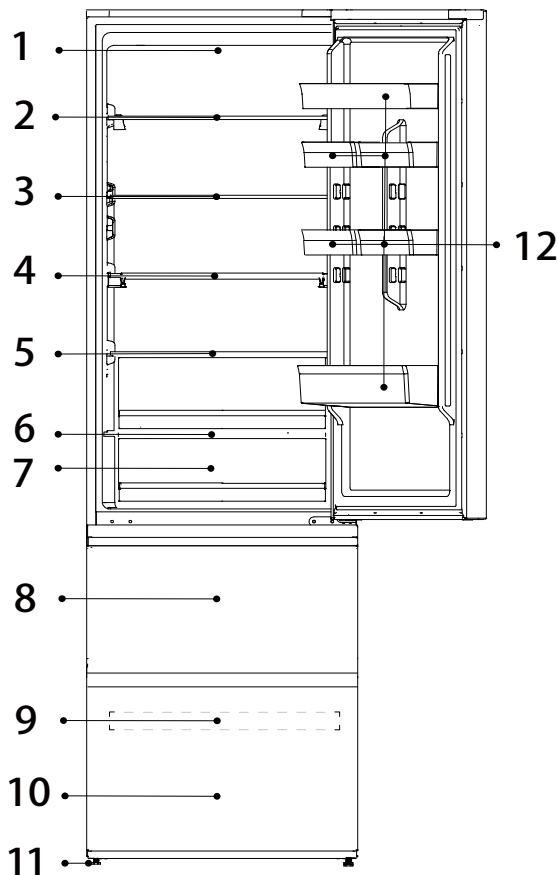
- 1-LED-lampa för kylskåp
- 2-Vinställ
- 3-Vikbart hyllplan
- 4-Humidity Zone-låda, lock
- 5-Humidity Zone-låda
- 6-My Zone-låda, lock
- 7-My Zone-låda
- 8-Övre frysförvaringslåda
- 9-Frysbricka
- 10-Nedre frysförvaringslåda
- 11-Justerbara fötter
- 12-Dörrhylla



UPPMÄRKSAMMA

På grund av tekniska förändringar och olika modeller kan vissa illustrationer i den här bruksanvisningen skilja sig från modellen.

(HTW3620EN*, HTW3620DN*, HTW3620CN*)

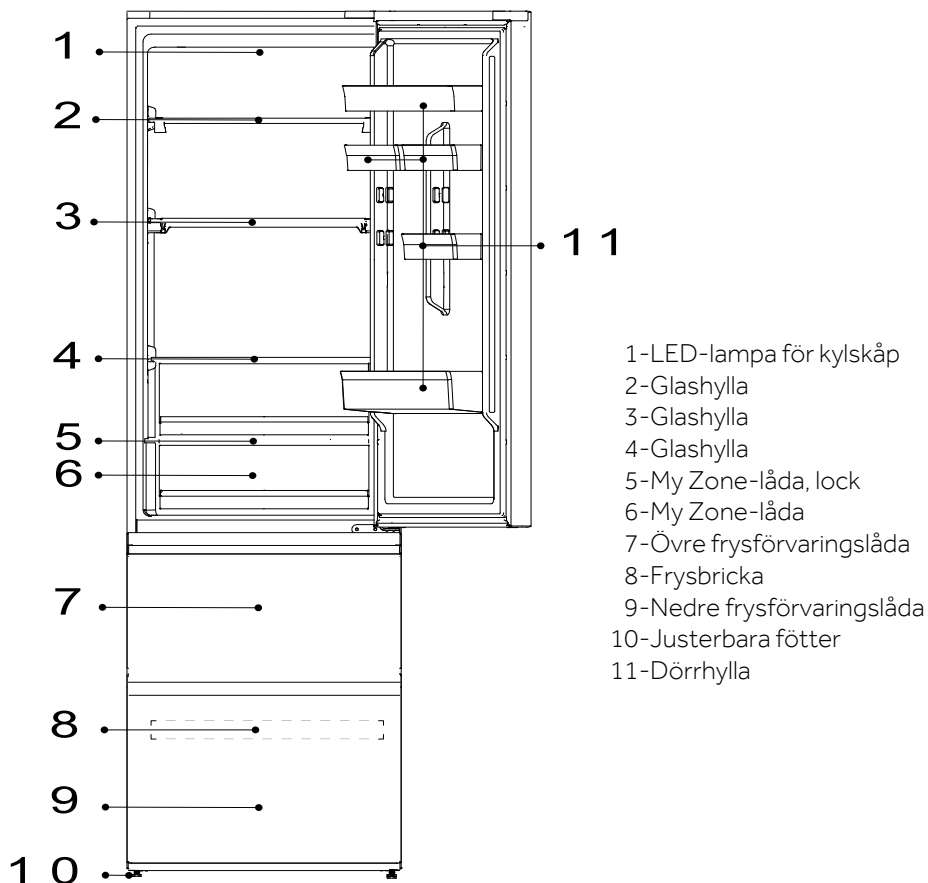


- 1-LED-lampa för kylskåp
- 2-Glashylla
- 3-Glashylla
- 4-Glashylla
- 5-Glashylla
- 6-My Zone-låda, lock
- 7-My Zone-låda
- 8-Övre frysförvaringslåda
- 9-Frysbricka
- 10-Nedre frysförvaringslåda
- 11-Justerbara fötter
- 12-Dörrhylla

i UPPMÄRKSAMMA

På grund av tekniska förändringar och olika modeller kan vissa illustrationer i den här bruksanvisningen skilja sig från modellen.

(HTW3618EN*, HTW3618DN*, HTW3618CN*)

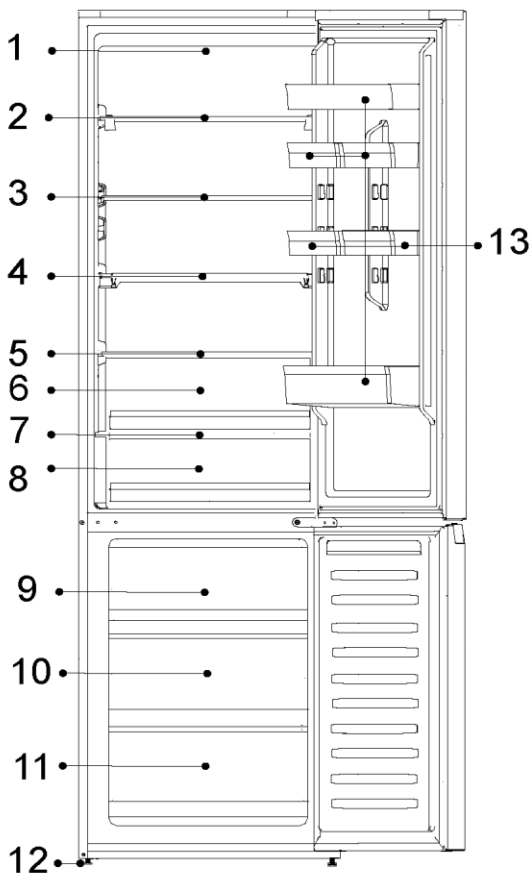




i UPPMÄRKSAMMA

På grund av tekniska förändringar och olika modeller kan vissa illustrationer i den här bruksanvisningen skilja sig från modellen.

(HDPW5620DN*, HDPW5620CN*, HDPW5620BN*, HDPW5620AN*)



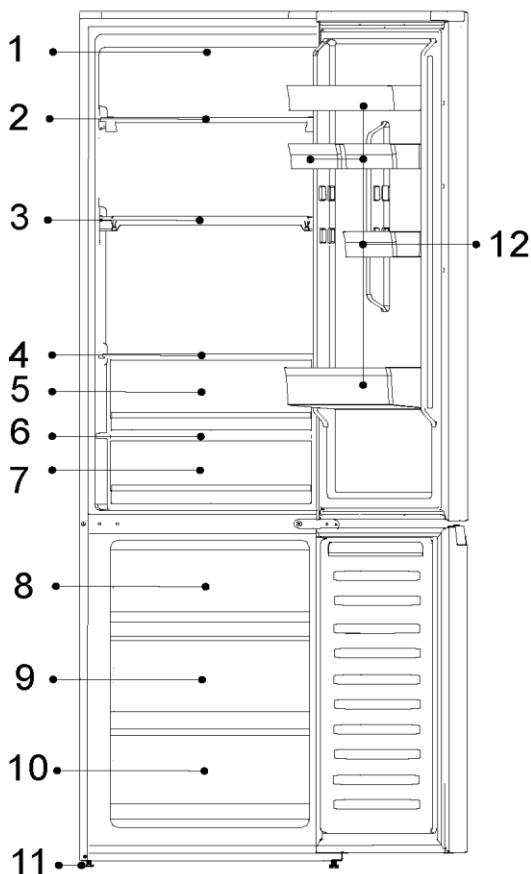
- 1-LED-lampa för kylskåp
- 2-Vinställ
- 3-Glashylla
- 4-Vikbart hyllplan
- 5-Humidity Zone-låda, lock
- 6-Humidity Zone-låda
- 7-My Zone-låda, lock
- 8-My Zone-låda
- 9-Övre frysförvaringslåda
- 10-Mellersta frysförvaringslåda
- 11-Nedre frysförvaringslåda
- 12-Justerbara fötter
- 13-Dörrhylla



i UPPMÄRKSAMMA

På grund av tekniska förändringar och olika modeller kan vissa illustrationer i den här bruksanvisningen skilja sig från modellen.

(HDPW5618DN*, HDPW5618CN*)



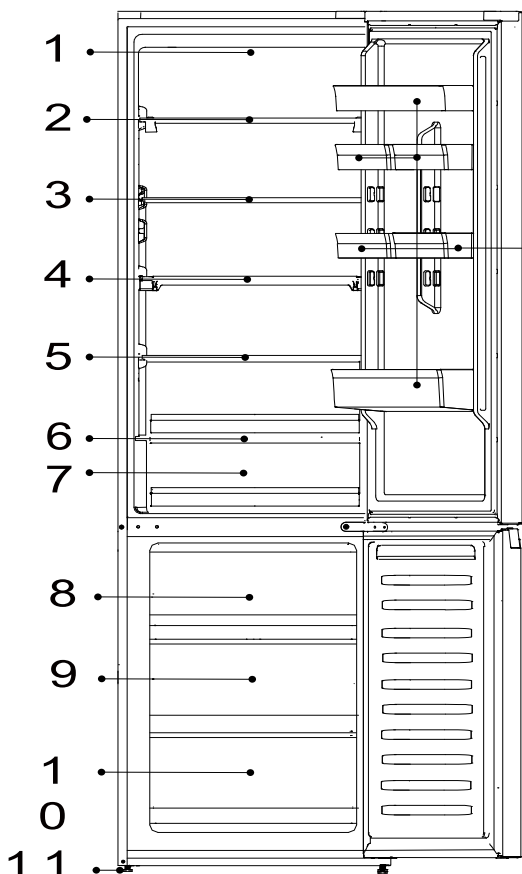
- 1-LED-lampa för kylskåp
- 2-Vinställ
- 3-Vikbart hyllplan
- 4-Humidity Zone-låda, lock
- 5-Humidity Zone-låda
- 6-My Zone-låda, lock
- 7-My Zone-låda
- 8-Övre frysförvaringslåda
- 9-Mellersta frysförvaringslåda
- 10-Nedre frysförvaringslåda
- 11-Justerbara fötter
- 12-Dörrhylla



UPPMÄRKSAMMA

På grund av tekniska förändringar och olika modeller kan vissa illustrationer i den här bruksanvisningen skilja sig från modellen.

(HDPW3620DN*, HDPW3620CN*)

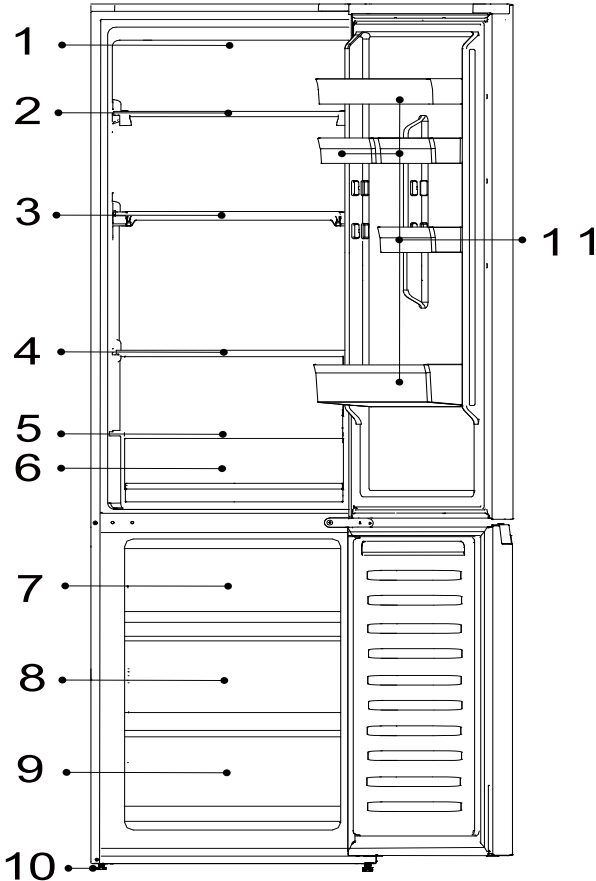


- 1-LED-lampa för kylskåp
- 2-Glashylla
- 3-Glashylla
- 4-Glashylla
- 5-Glashylla
- 6-My Zone-låda, lock
- 7-My Zone-låda
- 8-Övre frysförvaringslåda
- 9-Frysbricka
- 10-Nedre frysförvaringslåda
- 11-Justerbara fötter
- 12-Dörrhylla



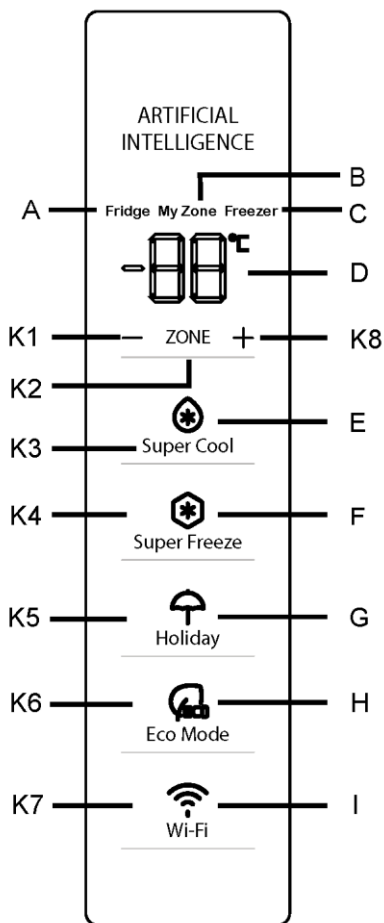
UPPMÄRKSAMMA

På grund av tekniska förändringar och olika modeller kan vissa illustrationer i den här bruksanvisningen skilja sig från modellen.
(HDPW3618DN*, HDPW3618CN*)



- 1-LED-lampa för kylskåp
- 2-Glashylla
- 3-Glashylla
- 4-Glashylla
- 5-My Zone-låda, lock
- 6-My Zone-låda
- 7-Övre frysförvaringslåda
- 8-Frysbricka
- 9-Nedre frysförvaringslåda
- 10-Justerbara fötter
- 11-Dörrhylla

Kontrollpanel



Indikatorer:

- A Kyldel
- B Kylfack (My Zone)
- C Frysdel
- D Temperaturdisplay
- E Super Cool-funktion
- F Super Freeze-funktion
- G Holiday-funktion
- H Eco Mode-funktion
- I Wi-Fi-funktion

Knappar:

- K1 Sänk temperaturen
- K2 Väljare för Kyl, My Zone och Frys
- K3 Super Cool-funktion på/av
- K4 Super Freeze-funktion på/av
- K5 Holiday-funktion på/av
- K6 Eco Mode-funktion på/av
- K7 Wi-Fi-funktion på/av
- K8 Öka temperaturen

Innan apparaten används första gången

Ta bort allt förpackningsmaterial, förvara det utom räckhåll för barn och kassera det på ett miljövänligt sätt.

Rengör apparatens in- och utsida samt interiören och tillbehören med vatten och ett mildt rengöringsmedel och den väl med en mjuk trasa.

Vänta minst 2 timmar innan du ansluter apparaten till strömförsörjningen efter att den har installerats och rengjorts. Se avsnitt INSTALLATION.

Förkyl facken ordentligt genom att ställa in de högre kylinställningarna innan du fyller dem med mat. Funktionen Super Freeze hjälper till att kyla ner frysdelen snabbt

Sensorknappar

Knapparna på kontrollpanelen är sensorknappar som reagerar redan vid lätt beröring med fingret.

Slå på/av apparaten

Apparaten är i drift så snart den ansluts till strömförsörjningen.

När apparaten sätts på för första gången visar temperaturindikatorerna "D" de förinställda värdena (se nedanstående meddelande).



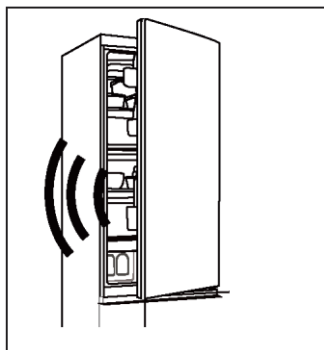
UPPMÄRKSAMMA

Apparaten är förinställd på den rekommenderade temperaturen på 5 °C (kylskåp) och -18 °C (frysdel). My Zone-temperatur är förinställd till ca 2 °C. Det är de rekommenderade inställningarna. Om man önskar går det att manuellt ändra de inställda temperaturerna.

Larm för öppen dörr

När kylskåpsdörren är öppen i mer än 3 minuter ljuder larmet för dörröppning.

Larmet slutar att låta när dörren stängs. Om dörren är öppen i mer än 7 minuter stängs belysningen inuti kylskåpet och belysningen på kontrollpanelen av automatiskt.



Justera temperaturen

Inomhustemperaturer påverkas av följande faktorer:

- ▶ Omgivningstemperatur
- ▶ Frekvens av dörröppning
- ▶ Mängden förvarade livsmedel
- ▶ Installation av apparaten



Justera temperaturen för kylan

1. Tryck på knappen "K2" (kyl/ (My Zone)/frys) för att välja kyldelen. Ikonerna "A" (kyldel) och "D" (temperaturdisplay) är ljusa.
2. Tryck på knappen "K1/K8" för att ställa in kylskåpets temperatur.
Temperaturen ökar i sekvenser om 1 °C, från minst 2 °C till högst 8 °C. Den optimala temperaturen i kylskåpet är 5 °C. Kallare temperaturer innebär onödig energiförbrukning.
3. Efter cirka 5 sekunder lyser temperaturikonen "D" (temperaturdisplay) permanent och inställningen är bekräftad.

Justera temperaturen för frysen

1. Tryck på knappen "K2" (kyl/ (My Zone)/ frys) för att välja frysdelen (frysack), ikonerna "C" (frysdel) och "D" (temperaturdisplay) är ljusa.
2. Tryck på knappen "K1/K8" för att ställa in frysens temperatur.
Temperaturen ökar i sekvenser om 1 °C, från minst -24 °C till högst -16 °C. Den optimala temperaturen i kylskåpet är -18 °C. Kallare temperaturer innebär onödig energiförbrukning.
3. Efter cirka 5 sekunder lyser temperaturindikatorn "D" (temperaturdisplay) permanent och inställningen är bekräftad.

Justera temperaturen för My Zone

Kyldelen är utrustad med en My Zone-låda. I enlighet med kraven på förvaring av livsmedel kan den lämpligaste temperaturen väljas för att få ett optimalt näringsvärde hos livsmedlen.

1. Tryck på knappen "K2" (kyl/ (My Zone)/frys) för att välja My Zone-utrymmet. Ikonerna "B" (My Zone-utrymme) och "D" (temperaturdisplay) är ljusa.
2. Tryck på knappen "K1/K8" för att ställa in My Zone-temperaturen.
Temperaturen ökar i sekvenser om 1 °C, från minst 0 °C till högst 5 °C.
3. Efter cirka 5 sekunder lyser temperaturikonen "D" (temperaturdisplay) permanent och inställningen är bekräftad.



i UPPMÄRKSAMMA

1. Du kan ställa in temperaturen i My Zone-utrymmet på mellannivån (2 °C) för att bevara din mat i en optimal förvaringsmiljö.
2. På grund av köttets olika vatteninnehåll fryser en del kött med högre fukthalt vid temperaturer under 0 °C, så kött som "precis styckats" bör förvaras i My Zone-lådan vid en temperatur som inte understiger 0 °C.
3. Köldkänslig frukt som ananas, avokado, bananer, grapefrukter och grönsaker som potatis, auberginer, bönor, gurkor, zucchini, tomater och ost bör inte förvaras i My Zone-lådan.
4. Om kylskåpets temperatur är lägre än temperaturen i My Zone är det normalt att temperaturen i My Zone är lägre än inställningstemperaturen i My Zone.

i UPPMÄRKSAMMA

Om du trycker på andra knappar inom 5 sekunder efter att du har ställt in temperaturen, bekräftas den aktuella temperaturinställningen omedelbart. Om ingen knapptryckning utförs inom 5 sekunder visas den aktuella inställda temperaturen tills skärmen slocknar.

i UPPMÄRKSAMMA

Du kan justera temperaturen för både kyl, frys och My Zone från appen. Temperaturen kan ställas in med en känslighet på 1 °C.

Super Cool-funktion

1. Super Cool-funktionen är lämplig om du ska förvara en stor mängd mat (till exempel precis efter inköp). Super Cool-funktionen kyler snabbt ned färska matvaror och skyddar de varor som finns i kylskåpet från att värmas.
2. Tryck på knappen "K3" eller slå på den från appen, ikonen "E" (Super Cool-funktion) lyser och funktionen är aktiverad.



i UPPMÄRKSAMMA

1. Apparaten avslutar "Super Cool-funktionen" efter att ha gått in i "Super Cool-funktionen" i 6 timmar eller om du tryckt på knappen "K3" när ikonen "E" (Super Cool-funktion) lös. Eller stäng av den från appen.
2. Om kyldelens temperatur justeras i Super Cool-läget blinkar ikonen "E" (Super Cool-funktion) för att indikera att denna åtgärd inte kan utföras.

Super Freeze-funktion

1. Färsk mat ska frysas så snabbt som möjligt. På så sätt kan man bevara det bästa näringsvärdet, utseendet och smaken. Super Freeze-funktionen fryser snabbt ned färska matvaror och skyddar de varor som finns i frysen från att värmas. Om du behöver frysa in en stor mängd mat på en gång rekommenderar vi att du ställer in Super Freeze-funktionen på 24 timmar innan du lägger in varorna för förvaring.
2. Tryck på knappen "K4" (inställning av Super Freeze-funktionen) eller slå på den från appen, ikonen "F" (Super Freeze-funktion) lyser och funktionen är aktiverad.

i UPPMÄRKSAMMA

1. Apparaten avslutar "Super Freeze-funktionen" efter att ha gått in i "Super Freeze-funktionen" i 50 timmar eller om du tryckt på knappen "K4" när ikonen "F" (Super Freeze-funktion) lös. Eller stäng av den från appen.
2. Om frysdelens temperatur justeras i Super Freeze-läget blinkar ikonen "F" (Super Freeze-funktion) för att indikera att denna åtgärd inte kan utföras.

Holiday-funktion

När apparaten inte används regelbundet kan man använda Holiday-funktionen för att minska apparatens energiförbrukning. När funktionen är påslagen är kylskåpet avstängt medan frysen fortsätter att fungera normalt. Funktionen ställer in kylskåpets temperatur permanent på 17 °C.

Detta gör att man kan ha kylskåpsdörren stängd när det är tomt utan att det börjar lukta illa eller att det uppstår mögel vid längre frånvaro (t.ex. under semestern).

Den här inställningen utesluter frysdelen.

1. Tryck på knappen "K5" (Holiday-funktion på/av) eller välj funktionen i appen, ikonen "G" (Holiday-funktion) lyser och funktionen är aktiverad.
2. Funktionen kan avaktiveras genom att trycka på knappen "K5" (Holiday-funktion på/av) igen eller genom att ställa in kylskåpets temperatur eller genom att göra någon annan inställning. Eller stäng av den från appen.



UPPMÄRKSAMMA

1. Under Holiday-funktionen får inga livsmedel förvaras i kylskåpet. Temperaturen 17 °C är för hög för att förvara livsmedel.
2. När Holiday-funktionen är aktiverad är ikonen My Zone avstängd och kylfunktionen är låst. Om temperaturen i kyldelen justeras blinkar ikonen "G" (Holiday-funktion) för att indikera att denna åtgärd inte kan utföras.

Eco Mode-funktion

För att optimera apparatens prestanda och förvara maten på bästa sätt aktiverar du Eco Mode. Om du inte har några särskilda krav rekommenderar vi att du använder Eco Mode-funktionen.

I detta läge är kylskåpets temperatur 5 °C, och kyldelens temperatur -18 °C.

1. Tryck på knappen "K6" (Eco Mode-funktion på/av) eller välj funktionen i appen.
2. Ikonen "H" (Eco Mode-funktion) lyser och funktionen är aktiverad.

Genom att upprepa ovanstående steg eller välja en annan funktion eller stänga av från appen kan funktionen stängas av igen. De tidigare inställda kylnivåerna återställs.

UPPMÄRKSAMMA

Om temperaturen i kylan/frysfacket justeras under Eco Mode-funktionen blinkar ikonen "H" (Eco Mode-funktion) för att indikera att denna åtgärd inte kan utföras.



Steg 1 Ladda ner hOn-appen från butikerna.

Steg 2 Skapa ditt konto i hOn-appen eller logga in om du redan har ett konto.

Steg 3 Följ instruktionerna för hopkoppling i hOn-appen.

Wi-Fi-funktion

1. Följ anvisningarna i appen för att konfigurera Wi-Fi.
2. När Wi-Fi har konfigurerats och anslutningen upprättats är Wi-Fi-ikonen "I" ljus och fast.
3. Om Wi-Fi redan har konfigurerats kommer den (om du slår på Wi-Fi) automatiskt att återslutas i enlighet med konfigurationsinformationen.

i UPPMÄRKSAMMA

1. För att stänga av Wi-Fi, tryck på Wi-Fi-knappen "K7" och Wi-Fi-ikonen "I" stängs av.
2. För att slå på Wi-Fi och starta konfigurationen trycker du på Wi-Fi-knappen "K7" och Wi-Fi-ikonen "I" börjar blinka långsamt. Om du vill konfigurera Wi-Fi-funktionen trycker du på knappen "K7" i 3 sekunder, Wi-Fi-ikonen blinkar snabbt och går in i konfigurationsläget. Om du vill stänga av Wi-Fi-funktionen trycker du en gång på knappen "K7". Ovanstående steg upprepas.
3. Om produkten har konfigurerats och Wi-Fi-funktionen stängts av kommer kylskåpet inte att gå in i konfigurationsläget efter att strömmen har återanslutits.

i UPPMÄRKSAMMA

1. Denna produkt är inte avsedd för kommersiellt bruk.
2. Max RF-utgångseffekt: 2,4 GHz Wi-Fi: 16 dBm;
3. Bluetooth® Low Energy: 5dBm; Bluetooth®(BR/EDR): 10dBm.
4. Frekvensområde för drift: 2 400-2 483,5 MHz.



Bluetooth®-ordmärket och logotyperna är registrerade varumärken som ägs av Bluetooth SIG, Inc. och all användning av sådana varumärken av Candy Hoover Group SRL sker under licens. Andra varumärken och handelsnamn tillhör sina respektive ägare.

Förvaring i kyldelen

- Håll ditt kylskåps temperatur under 5 °C.
- Varm mat måste kylas ned till rumstemperatur innan den placeras i kylskåpet.
- Matvaror som förvaras i kylskåp ska tvättas och torkas innan de förvaras.
- Matvaror som ska förvaras bör förslutas ordentligt för att undvika att det börjar lukta eller ändrar smak.
- Förvara inte alltför stora mängder livsmedel. För en mer homogen kylning ska utrymme lämnas mellan matvarorna så att kall luft kan cirkulera fritt.
- Mat som äts dagligen bör förvaras längst fram på hyllan.
- Lämna ett mellanrum mellan matvarorna och de inre väggarna, så att luften kan cirkulera. Förvara inte livsmedel mot den bakre väggen. De kan då frysa fast mot den. Undvik direktkontakt mellan mat (särskilt fet/oljig eller sur mat) och kylskåpets interiör, eftersom olja/syra kan fräta sönder materialet. Om du upptäcker spill från oljig/sur mat ska det tas bort snarast.
- Fryst mat kan försiktigt tinas upp i kyldelen. Detta sparar energi.
- Åldringsprocessen för frukt och grönsaker t.ex squash, meloner, papaya, bananer, ananas etc. kan påskyndas i kylskåpet. Därför är det inte rekommenderat att förvara dem i kylskåp. Mogningsprocessen av starkt gröna frukter kan dock främjas under en viss tid. Lök, vitlök, ingefära och andra rotfrukter bör också förvaras vid rumstemperatur.
- Obekvämliga lukter inne i kylskåpet är ett tecken på att något har spillts ut och att man måste göra rent skåpet. Se avsnittet Skötsel och rengöring.
- Olika livsmedel bör placeras i olika områden beroende på deras egenskaper.

Förvaring i frysdelen

- Håll frystemperaturen på -18 °C.
- Slå på Super-Freeze-funktionen 24 timmar före frysning. För små mängder mat räcker det med 4–6 timmar.
- Het mat måste kylas ned till rumstemperatur innan den placeras i frysdelen.
- Mat delas upp i mindre portioner/bitar fryser snabbare och blir lättare att tina upp och tillaga. Den rekommenderade vikten per portion är mindre än 2,5 kg
- Det är bättre att förpacka maten innan den placeras i frysen. Förpackningens utsida måste vara torr för att undvika att påsarna klibbar ihop. Förpackningsmaterial ska vara luktfritt, lufttätt och giftfritt.



- För att undvika att förvaringsperioderna löper ut bör du notera frysdatum, tidsgräns och namn på livsmedlet på förpackningen i enlighet med förvaringsperioderna för olika livsmedel.



VARNING!

- ▶ Syra, alkali och salt etc. kan fräta sönder frysens innerbeläggning.
- ▶ Placera inte livsmedel med dessa ämnen (t.ex. havsfisk) direkt på den inre ytan. Saltvatten i frysen ska tas bort omedelbart.
- ▶ Överskrid inte tillverkarnas rekommendationer för förvaringslängd. Ta bara ut den nödvändiga mängden mat ur frysen.
- ▶ Konsumera den tinade maten snabbt. Upptinade livsmedel kan inte frysas igen om de inte först tillagas. De kan annars vara mindre ätbara.
- ▶ Förvara inte mycket stora mängder färska matvaror i frysdelen. Se frysens fryskapacitet – Se TEKNISKA DATA eller data på typskylten.
- ▶ Mat kan förvaras i frysen vid en temperatur på minst -18°C i 2 till 12 månader, beroende på typ av livsmedel (t.ex. kött: 3–12 månader, grönsaker: 6–12 månader)
- ▶ När du fryser in färska livsmedel ska du undvika att de kommer i kontakt med redan frysta livsmedel. Risk för upptining!

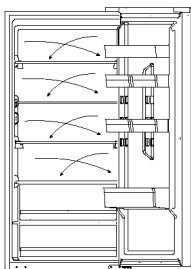
När du förvarar kommersiellt frysta livsmedel bör du följa dessa riktlinjer:

- Följ alltid tillverkarnas riktlinjer för hur länge du ska förvara maten. Överskrid inte dessa riktlinjer!
- Försök att hålla tiden mellan inköp och förvaring så kort som möjligt för att bevara livsmedlens kvalitet.
- Köp fryst mat som har förvarats vid en temperatur på -18°C eller lägre.
- Undvik att köpa livsmedel som har is eller frost på förpackningen – det tyder på att produkterna delvis har tinats upp och sedan frysts igen. Detta påverkar kvaliteten på maten.



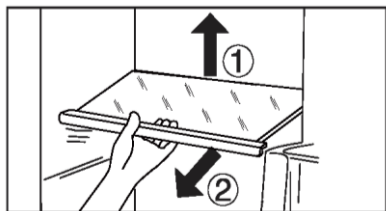
i UPPMÄRKSAMMA

På grund av olika modeller har din produkt kanske inte alla följande funktioner. Se kapitel Produktbeskrivning.I.



Flera luftflöden

Kylskåpet är utrustat med ett system med flera luftflöden. Varje hyllplan har luftflöden. Detta bidrar till att hålla en jämn temperatur för att se till att maten hålls fräschare längre.



Justerbar hylla

1. Hyllornas höjd kan justeras för att passa dina förvaringsbehov.
2. Om du vill flytta en hylla tar du först bort den genom att lyfta upp dess bakre kant ① och dra ut den ②.
3. För att återmontera den, sätt den på klackarna på båda sidorna och skjut den till det bakersta läget tills baksidan av hyllan är fast i skårorna på sidorna

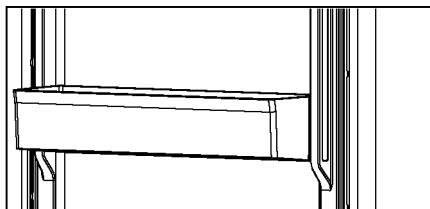
i UPPMÄRKSAMMA

Se till att hyllan ligger plant.

Avtagbar dörrhylla

Dörrhyllorna kan tas bort för rengöring:

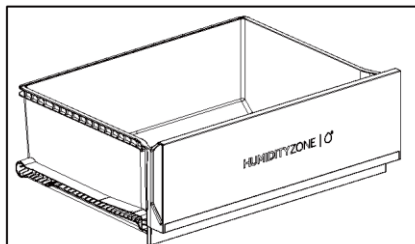
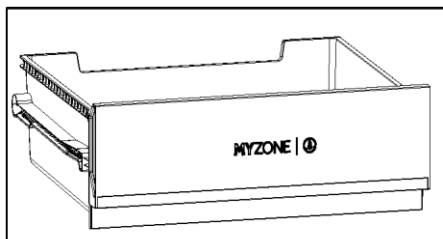
Placera händerna på vardera sidan om hyllan, lyft upp den (1) och dra ut den (2). Sätt tillbaka dörrhyllan genom att göra på omvänt sätt.





My Zone-låda

För att använda och ställa in My Zone-utrymmet, se avsnittet ANVÄND (My Zone).



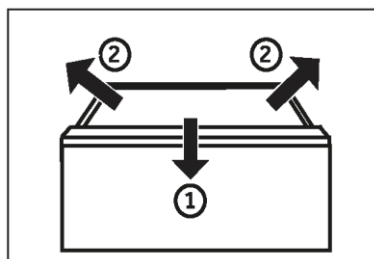
Humidity Zone-låda

I det här facket regleras luftfuktigheten automatiskt av systemet vilket gör det lämpligt för förvaring av frukt, grönsaker, sallader osv.

Avtagbar låda

För att ta ut lådan ur kylen eller frysdelen drar du ut lådan maximalt (1), lyfter och tar bort den (2).

Sätt tillbaka lådan genom att göra på omvänt sätt.



Fryslåda

Fryslådan kan dras ut rakt och helt. De är monterade på lätttrullade teleskopskenor. Så att du kan bekvämt komma åt och förvara den frysta maten. Tack vare den automatiska dörrstängningsmekanismen är hanteringen enkel och du kan spara energi.



VARNING!

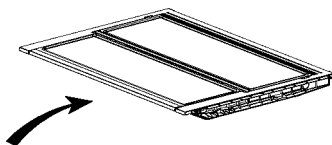
Överbelasta inte lådorna: Maximal belastning för varje låda: 35 kg!

Belysning

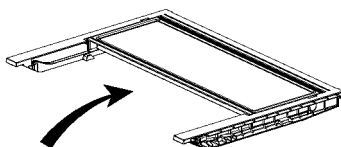
Lysdioderna i apparaten tänds när dörren öppnas. Ljusets prestanda påverkas inte av någon av apparatens andra inställningar.

Vikbart hyllplan

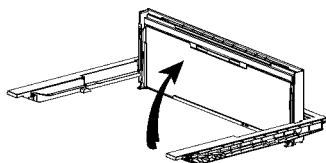
Det vikbara hyllplanet gör det möjligt för användaren att ställa höga flaskor eller föremål på hyllorna. Hyllan kan vikas bakåt och det tillgängliga utrymmet på den nedre hyllan blir större. Du kan vika hyllan genom att följa stegen 1~3. Om du vill återgå till den ursprungliga positionen gör stegen omvänt.



Steg 1: Skjut långsamt fram hyllans framsida mot slutet.



Steg 2: Skjut hyllan långsamt uppåt till dess vertikala läge.



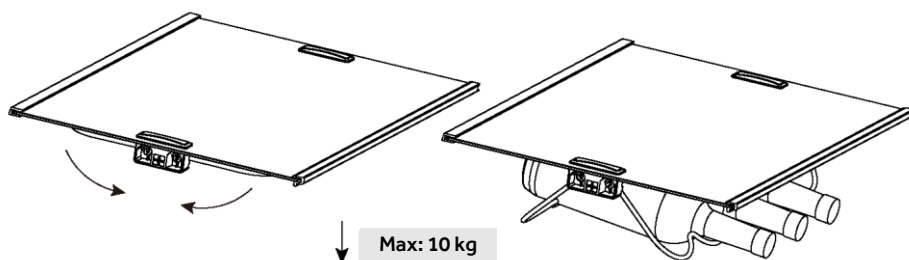
Steg 3: Hyllan är vertikal. Det sparar utrymme.

Vikbart vinställ

För normal användning

1. Dra ner fästena på vinstället
2. Placera flaskorna i stället

När vinstället inte används kan det fällas tillbaka för att spara utrymme.





Tips för att spara energi

- ▶ Se till att apparaten är ordentligt ventilerad (se avsnittet INSTALLATION).
- ▶ Installera inte apparaten i direkt solljus eller i närheten av värmekällor (t.ex. spisar, värmare).
- ▶ Undvik onödigt låga temperaturer i apparaten. Energiförbrukningen ökar när den inställda temperaturen i apparaten sjunker.
- ▶ Funktioner som SUPER FREEZE förbrukar mer energi.
- ▶ Låt varm mat svalna innan du placerar den i apparaten.
- ▶ Öppna apparatens dörr så lite och så kort tid som möjligt.
- ▶ Fyll inte på med för mycket för att inte hindra luftflödet.
- ▶ Undvik luft i livsmedelsförpackningen.
- ▶ Håll dörrtätningarna rena så att dörren alltid stängs korrekt.
- ▶ Tina frysta livsmedel i kylutrymmet eller använd D-Frost-funktionen i My Zone-lådan.
- ▶ Den mest energibesparande konfigurationen kräver att lådor, matlådor och hyllorna placeras i ett fabriksfräscht skick i apparaten och att maten placeras utan att blockera kanalens luftutsläpp.

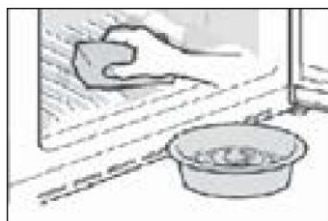
**VARNING!****Rengöring**

Rengör apparaten när det inte förvaras någon mat eller bara lite mat.

För god skötsel och för att undvika dålig lukt från förstörd mat bör apparaten rengöras var fjärde vecka.

**VARNING!**

- ▶ Rengör inte apparaten med hårda borstar, stålborstar, rengöringsmedelspulver, bensin, amylicetat, aceton och liknande organiska lösningar, sura eller alkaliska lösningar. Rengör med ett speciellt rengöringsmedel för kylskåp för att undvika skador.
- ▶ Spruta eller spola inte i eller på apparaten under rengöringen.
- ▶ Använd inte vattenspray eller ånga för att rengöra apparaten.
- ▶ Rengör inte de kalla glashyllorna med hett vatten. Plötsliga temperaturförändringar kan göra att glaset spricker.
- ▶ Rör inte insidan av frysens förvaringsutrymme, särskilt inte med våta händer, eftersom dina händer kan frysa fast på ytan.
- ▶ Vid uppvärmning ska du kontrollera frysta varors tillstånd.



- ▶ Håll alltid dörrpackningen ren.
- ▶ Rengör apparatens insida och hölje med en svamp fuktad med varmt vatten och neutralt rengöringsmedel.
- ▶ 1. Skrubba kylskåpets insida och utsida, inklusive dörrtätning, dörrhyllor, glashyllor, lådor och så vidare, med en mjuk handduk eller svamp doppad i varmt vatten (du kan tillsätta neutralt rengöringsmedel i det varma vattnet).
- ▶ 2. Om det har spillts vätska, ta bort alla förorenade delar, skölj direkt med rinnande vatten, torka och ställ tillbaka den/dem i kylan.
- ▶ 3. Om det finns spilld grädde (t.ex. grädde, smältande glass), ta bort alla förorenade delar, lägg dem i varmt vattnet (cirka 40 °C) under en tid, skölj sedan med rinnande vatten, torka och lägg tillbaka dem i kylskåpet.
- ▶ 4. Om någon liten del eller komponent fastnar inuti kylan (mellan hyllor eller lådor), använd en liten mjuk borste för att lossa den. Om du inte kan nå delen, kontakta Haier service
- ▶ Skölj av och torka med en mjuk trasa.
- ▶ Inga delar av apparaten får köras i diskmaskin.
- ▶ Vänta i minst 5 minuter innan du startar apparaten igen. Frekventa startar kan ska kompressorn.

Avfrostning

Avfrostning av kyl- och frysutrymmet sker automatiskt: det krävs ingen manuell åtgärd.

Byte av LED-lampor



VARNING!

Byt inte LED-lampan själv. Den får endast bytas ut av tillverkaren eller en auktoriserad serviceverkstad.

Lamporna använder LED som ljuskälla, vilket ger låg energiförbrukning och lång livslängd. Om det finns något avvikelser, kontakta kundtjänsten. Se avsnittet KUNDTJÄNST.

Parametrar för lamporna:

Del	LED-lampa
Spänning	12V
Maxeffekt	1,5W
LED-specifikation	Vit-2835
LED-effektivitetsklass	G
Användningstemperatur	-40~80 C

Icke i bruk under längre tid

Om apparaten inte används under en längre tid och du inte kommer att använda funktionen Holiday för kylskåpet:

Ta ut maten.

Dra ut kontakten.

Rengör apparaten enligt beskrivningen ovan.

Håll dörrarna öppna för att förhindra att dåligt lukt bildas i skåpet.



UPPMÄRKSAMMA

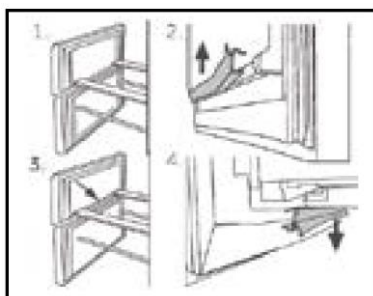
Stäng endast av apparaten om det är absolut nödvändigt.

Avtagbara extra dörrpackningar

Det finns sex extra dörrpackningar på de övre och nedre fryslådorna.

1. Placera de fem angivna dörrpackningarna på de övre och nedre fryslådorna.
2. Se till att de böjda delarna av packningarna pekar inåt när du fäster dem.
3. Placera den nedre packningen på den övre lådan enligt anvisningarna.
4. Se till att den böjda delen av packningen pekar nedåt när du fäster den.

Du får dessa packningar samt packningarna för att vända dörren/lådpackningarna via kundtjänst (se garantikort).



Flytta apparaten

1. Ta ut alla matvaror och koppla ifrån apparaten.
2. Fäst hyllor och andra rörliga delar i kylan och i frysen med tejp.
3. För att undvika att kylsystemet skadas ska apparaten inte lutas mer än 45 grader.



VARNING!

- ▶ Lyft inte apparaten i handtagen.
- ▶ Placera aldrig apparaten horisontellt på marken.



Många problem som uppstår kan du lösa själv utan särskild expertis. Vid problem, kontrollera listade möjligheter och följ instruktionerna nedan innan du kontaktar en kundtjänst. Se avsnittet KUNDTJÄNST.



VARNING!

- ▶ Före underhåll ska du stänga av apparaten och dra ut nätkontakten ur eluttaget.
- ▶ Elektrisk utrustning bör endast underhållas av kvalificerade eltekniker, eftersom felaktiga reparationer kan orsaka betydande följdskador.
- ▶ En skadad nätkontakt får endast bytas ut av tillverkaren dess serviceagent eller liknande kvalificerade personer för att undvika fara.

Felsökningstabell

Problem	Möjlig orsak	Möjlig lösning
Kompressorn fungerar inte.	Nätkontakten är inte ansluten till eluttaget.	Anslut nätkontakten.
	Apparaten är i avfrostningscykeln.	Detta är normalt för en automatisk avfrostning.
Apparaten körs ofta eller kör för länge.	Den invändiga eller utvändiga temperaturen är för hög.	I detta fall är det normalt att apparaten kör längre.
	Apparaten har varit utan ström under en tid.	Det tar vanligtvis 8 till 12 timmar för apparaten att helt kylas ned.
	En dörr/låda i apparaten är inte helt stängd.	Stäng dörren/lådan och säkerställ att apparaten är placerad på en plan yta och att det inte finns någon mat eller behållare som förhindrar att dörren stängs.
	Dörren/lådan har öppnats för ofta eller för länge.	Öppna inte dörren/lådan för ofta.
	Temperaturinställningen för frysdelen är för låg.	Ställ in temperaturen högre tills kylskåpstemperaturen är tillfredsställande. Det tar 24 timmar för kylskåpets temperatur att bli stabil.
	Dörrens/lådans packning(ar) är smutsig(a), sliten(na), sprucken(na) eller felanpassad(e).	Rengör dörr/lådpackningen eller byt ut dem via kundtjänsten.
	Den nödvändiga luftcirkulationen är inte garanterad.	Säkerställ tillräcklig ventilation.



Problem	Möjlig orsak	Möjlig lösning
Det är smutsigt och/eller luktar illa inuti kylskåpet.	Kylskåpet behöver rengöras.	Rengör kylskåpets insida.
	Mat som luktar starkt förvaras i kylskåpet.	Förpacka maten ordentligt.
Det är inte tillräckligt kallt inuti apparaten.	Temperaturen är inställd för högt.	Återställ temperaturen
	För varm mat har förvarats.	Kyl alltid ner maten innan du förvarar den.
	För mycket mat har lagrats på en gång.	Förvara alltid små mängder mat.
	Livsmedlen ligger för nära varandra.	Lämna ett mellanrum mellan varorna så att luften kan flöda.
	En dörr/låda i apparaten är inte helt stängd.	Stäng dörren/lådan.
	Dörren/lådan har öppnats för ofta eller för länge.	Öppna inte dörren/lådan för ofta.
Det är för kallt inuti apparaten.	Temperaturen är inställd för lågt.	Återställ temperaturen.
	Super Freeze-funktionen är aktiverad eller körs för länge.	Stäng av Super Freeze-funktionen.
Det finns fukt på insidan i kyldelen.	Klimatet är för varmt och för fuktigt.	Öka temperaturen.
	En dörr/låda i apparaten är inte helt stängd.	Stäng dörren/lådan.
	Dörren/lådan har öppnats för ofta eller för länge.	Öppna inte dörren/lådan för ofta.
	Behållare med mat eller vätskor är öppna.	Låt heta matvaror svalna till rumstemperatur och förpacka mat och vätska.
Det ansamlas fukt på kylskåpets utsida eller mellan dörrar/dörr och låda.	Klimatet är för varmt och för fuktigt.	Detta är normalt i fuktigt klimat och kommer att ändras när luftfuktigheten minskar.
	Dörren/lådan är inte helt stängd.	Säkerställ att dörren/lådan är helt stängd.



Problem	Möjlig orsak	Möjlig lösning
Is- och frostbildning i frysdelen.	Matvarorna var inte ordentligt förpackade.	Förpacka alltid maten väl.
	stängd.	
	Dörren/lådan har öppnats för ofta eller för länge.	Öppna inte dörren/lådan för ofta.
	Dörrens/lådans packning(ar) är smutsig(a), sliten(na), sprucken(na) eller felanpassad(e).	Rengör dörrens/lådans packning(ar) eller byt ut den/dem mot nya.
	Något på insidan hindrar dörren/lådan från att stänga ordentligt.	Flytta om hyllorna, dörrhyllorna eller de inre behållarna så att dörren/lådan kan stängas.
Apparaten låter konstigt.	Apparaten är inte placerad på en plan yta.	Justera fötterna för att nivellera apparaten.
	Apparaten rör vid något föremål runt omkring den.	Ta bort föremål runt apparaten.
Ett svagt ljud hörs som liknar det från rinnande vatten.	Det här är normalt.	/
Du hör ett larm.	Kylskåpsdörren är öppen.	Stäng dörren eller stäng av larmet manuellt.
Du kommer att höra ett svagt brummande.	Systemet mot kondensering fungerar.	Detta förhindrar kondensering och är normalt.
Invändig belysning eller kylsystem fungerar inte.	Nätkontakten är inte ansluten till eluttaget	Anslut nätkontakten.
	Strömförsörjningen är inte intakt.	Kontrollera elförsörjningen i rummet. Ring det lokala elbolaget!
	LED-lampan är sönder.	Kontakta kundservice för byte av lampa.
Sidorna på skåpet och dörrlisten blir varma.	Det här är normalt.	/
Det kommer inget vatten ut ur vattenpipen	Låset är inte avaktiverat.	Avaktivera låset



Strömavbrott

- ▶ I händelse av ett strömavbrott bör maten förbli säkert kall i cirka 13 timmar. Följ dessa tips under längre strömavbrott, speciellt under sommaren.
- ▶ Sätt inte in mer mat i apparaten under strömavbrottet.
- ▶ Om ett strömavbrott meddelas i förväg och avbrottet är längre än 13 timmar, gör lite isbitar och lägg dem i en behållare högst upp i kyldelen.
- ▶ En inspektion av livsmedlen krävs omedelbart efter avbrottet.
- ▶ Eftersom temperaturen i kylskåpet stiger under ett strömavbrott, eller annat fel, minskar förvaringstiden och matens kvalitet. För att förhindra hälsorisker bör all mat som tinats upp antingen konsumeras eller tillagas och frysas igen omedelbart (om så är lämpligt).



UPPMÄRKSAMMA

Minnesfunktion vid strömavbrott

När strömmen återställs fortsätter apparaten med de inställningar som gjordes innan strömavbrottet.

För att kontakta teknisk assistans, besök vår webbplats:

<https://corporate.haier-europe.com/en/>

Under stycket "Webbplats", välj märket på din produkt och ditt land. Du kommer att omdirigeras till den specifika webbplatsen där du hittar telefonnummer och andra sätt för att kontakta teknisk assistans.

Uppackning

VARNING!

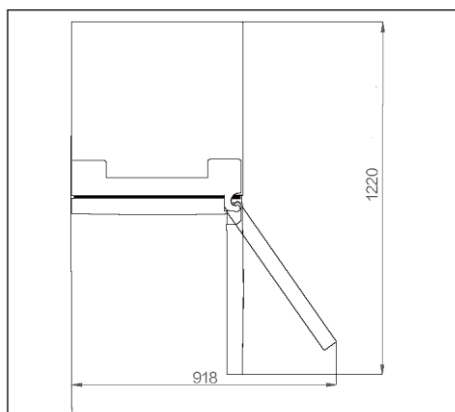
- ▶ Apparaten är tung. Var alltid minst två personer vid hantering av apparaten.
- ▶ Förvara allt förpackningsmaterial utom räckhåll för barn och kassera det på ett miljövänligt sätt.
- ▶ Ta ut apparaten ur förpackningen.
- ▶ Avlägsna allt förpackningsmaterial.

Miljöförhållanden

Rumstemperaturen bör alltid ligga mellan 10 °C och 43 °C, eftersom den kan påverka temperaturen i apparaten och dess energiförbrukning. Apparaten ska inte installeras nära andra värmeavgivande apparater (ugnar, kylskåp) utan isolering.

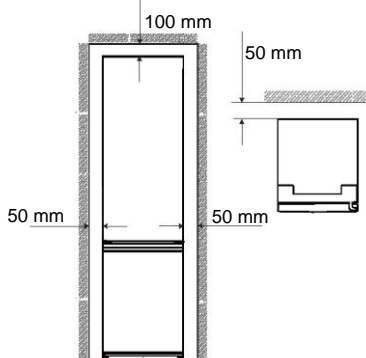
Rekommenderat utrymme

Rekommenderat utrymme när dörren öppnas.



Ventilationstvärsnitt

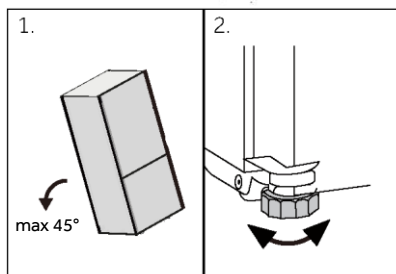
För att uppnå tillräcklig ventilation av apparaten rekommenderar vi av säkerhetsskäl att du följer riktlinjerna för rekommenderade utrymmen.

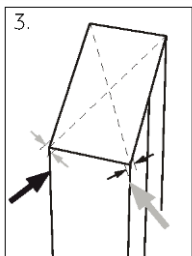


Nivellering av apparaten

Apparaten ska placeras på en plan och fast yta.

1. Luta kylen något bakåt.
 2. Ställ in fötterna på önskad nivå.
- Se till att avståndet till väggen på gångjärnssidan är minst 100 mm för att dörren ska kunna öppnas ordentligt.

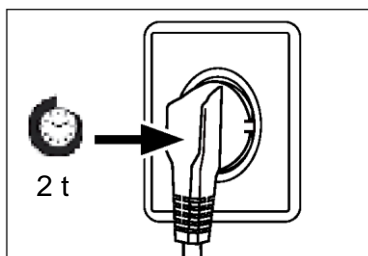




1. Stabiliteten kan kontrolleras genom att växelvis stöta på diagonalerna. Den svaga svängningen ska vara lika stor i båda riktningarna. Annars kan ramen skeva, vilket kan leda till läckande dörrtätningar. En låg tendens bakåt underlättar stängningen av dörrarna.

UPPMÄRKSAMMA

För fristående apparater: denna kylanordning är inte avsedd att användas som en inbyggd apparat



Väntetid

Till den underhållsfria smörjoljan finns i kompressorernas kapsel. Denna olja kan tränga igenom det slutna rörsystemet under den lutande transporten. Innan du ansluter apparaten till elnätet måste du vänta i minst 2 timmar så att oljan kan rinna tillbaka till kapseln.

Elanslutning

Kontrollera före varje anslutning att:

- ▶ Strömförsörjning, uttag och säkringar överensstämmer med typskylten.
- ▶ Eluttaget är jordat och att det inte finns någon flervägskontakt eller förlängningar.
- ▶ Nätkontakten och uttaget är i enlighet med gällande bestämmelser.

Anslut kontakten till ett korrekt installerat hushållsuttag.



WARNING!

För att undvika risker måste en skadad nätsladd bytas ut av kundtjänst (se garantikortet).



Öppningsriktningar för dörren

Innan du ansluter apparaten till elnätet bör du kontrollera om dörrsvängningen måste ändras från höger (vid leverans) till vänster, om detta krävs av installationsplatsen och användbarheten.

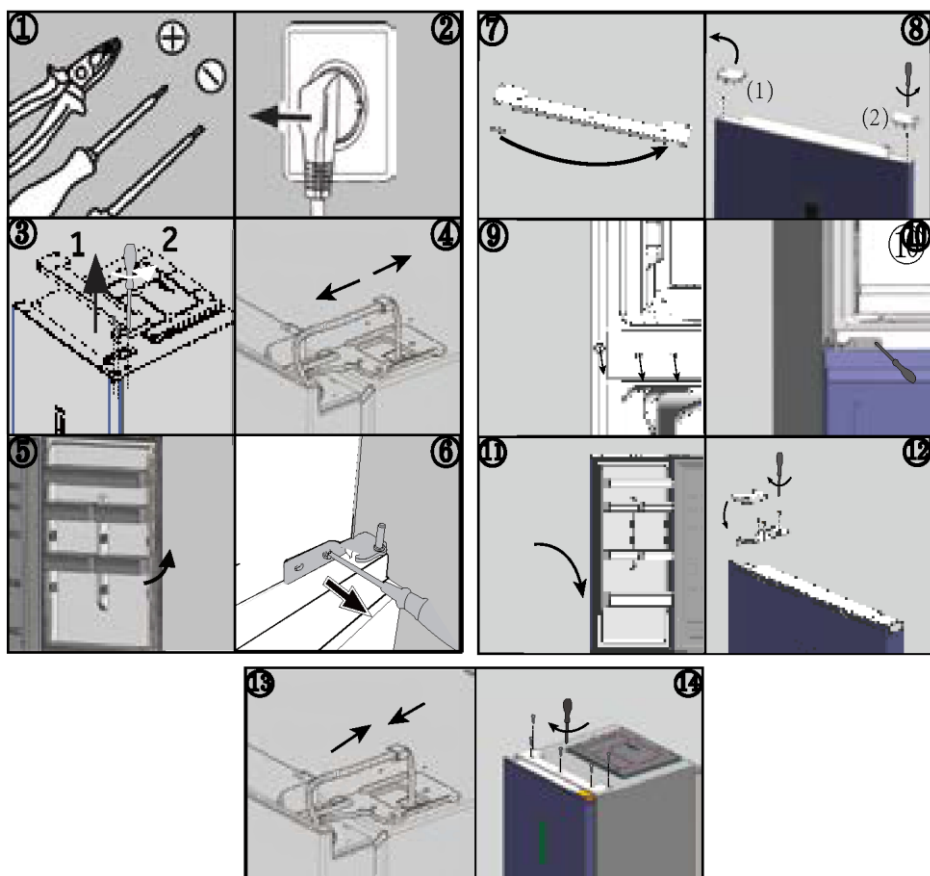


VARNING!

- ▶ Apparaten är tung. Det behöver två personer för att vända dörren.
- ▶ Innan du börjar använda apparaten ska du först dra ur kontakten från elnätet
- ▶ Luta inte apparaten mer än 45 ° för att undvika att kylsystemet skadas.

Monteringssteg

1. Använd/tillhandahåll nödvändigt verktyg.
 2. Koppla ur apparaten.
 3. Ta bort den övre gångjärnsåpan 1 och skruva loss det övre gångjärnet (tre skruvar) på höger sida 2.
 4. Koppla ur anslutningskabeln
 5. Lyft försiktigt bort den lösa kylskåpsdörren från det mellersta gångjärnet.
 6. Ta bort det mellersta gångjärnet.
 7. Ta bort det lilla skyddet på frontpanelen från vänster till höger sida.
 8. Vänd dörren upp och ner och skruva loss skyddet (1). Ta ut det nya skyddet (2) från tillbehörspåsen och skruva fast den på motsatt sida.
 9. Ändra placeringen av blindpluggarna och skruven på sidan.
 10. Skruva fast det mellersta gångjärnet på apparatens vänstra sida. Var uppmärksam på att invertera det mellersta gångjärnets svängning. Se till att sidan med packningen är vänd uppåt
 11. Lyft försiktigt den övre dörren på det mellersta gångjärnet. Och se till att pivoten passar in i gångjärnsfästet på den nedre dörren.
 12. Ta ut det nya övre gångjärnet och gångjärnsåpan från tillbehörspåsen. För anslutningskabeln genom det övre gångjärnet och fäst det övre gångjärnet med tre skruvar på apparatens vänstra sida. Sätt sedan gångjärnsåpan över gångjärnet.
 13. Anslut anslutningskabeln.
 14. Sätt tillbaka frontpanelen och fäst den med fem skruvar.
- Efter bytet av dörren kontrollera att dörrtätningarna sitter ordentligt på höljet och att alla skruvar är ordentligt åtdragna.



Omgivningstemperaturer

Utökad tempererad: denna kylapparat är avsedd att användas vid omgivningstemperaturer från 10 °C till 32 °C.

Tempererad: denna kylapparat är avsedd att användas vid omgivningstemperaturer från 16 °C till 32 °C".

Subtropisk: denna kylapparat är avsedd att användas vid omgivningstemperaturer från 16 °C till 38 °C.

Tropisk: denna kylapparat är avsedd att användas vid omgivningstemperaturer från 16 °C till 43 °C.



Produktparametrar enligt förordning (EU) 2019/2016

Baserat på standardtestresultat för 24 timmar. Den faktiska energiförbrukningen beror på hur apparaten används och var den är placerad

Modell	HTW5618DN*	HTW5620DN*	HTW5618EN*
Typ av kylapparat	Kyl- och frysskåp	Kyl- och frysskåp	Kyl- och frysskåp
Energieffektivitetsklass	D	D	E
Årlig energiförbrukning (kWh/år)	217	226	271
Volym kylidel(L)	201	255	201
Volym frysdel(L)	125	125	125
Volym kylfack(L)	34	34	34
Frysklass	4-stjärnigt	4-stjärnigt	4-stjärnigt
Typ av avfrostning	Automatisk avfrostning	Automatisk avfrostning	Automatisk avfrostning
Temperaturstegringstid (h)	13	13	11
Fryskapacitet(kg/24h)	10,0	10,0	10,0
Klimatklass	SN.N.ST.T	SN.N.ST.T	SN.N.ST.T
Bulleremissionsklass och luftburet akustiskt buller (dB(A) re 1 pW)	B(35)	B(35)	B(35)



Modell	HTW5618CN*	HTW5620CN*	HTW5620EN*
Typ av kylapparat	Kyl- och frysskåp	Kyl- och frysskåp	Kyl- och frysskåp
Energieffektivitetsklass	C	C	E
Årlig energiförbrukning (kWh/år)	173	181	283
Volym kylidel(L)	201	255	255
Volym frysdel(L)	125	125	125
Volym kylfack(L)	34	34	34
Frysklass	4-stjärnigt	4-stjärnigt	4-stjärnigt
Typ av avfrostning	Automatisk avfrostning	Automatisk avfrostning	Automatisk avfrostning
Temperaturstegringstid (h)	13	13	11
Fryskapacitet(kg/24h)	10,0	10,0	10,0
Klimatklass	SN.N.ST.T	SN.N.ST.T	SN.N.ST.T
Bulleremissionsklass och luftburet akustiskt buller (dB(A) re 1 pW)	B(35)	B(35)	B(35)



Modell	HDPW5618DN*	HDPW5620DN*	HDPW3620DN*
Typ av kylapparat	Kyl- och frysskåp	Kyl- och frysskåp	Kyl- och frysskåp
Energieffektivitetsklass	D	D	D
Årlig energiförbrukning (kWh/år)	214	220	220
Volym kyl del(L)	201	255	255
Volym frysdel(L)	117	117	117
Volym kylfack(L)	34	34	34
Frysklass	4-stjärnigt	4-stjärnigt	4-stjärnigt
Typ av avfrostning	Automatisk avfrostning	Automatisk avfrostning	Automatisk avfrostning
Temperaturstegringstid (h)	13	13	13
Fryskapacitet(kg/24h)	10,0	10,0	10,0
Klimatklass	SN.N.ST.T	SN.N.ST.T	SN.N.ST.T
Bulleremissionsklass och luftburet akustiskt buller (dB(A) re 1 pW)	B(35)	B(35)	B(35)



Modell	HDPW3618DN*	HDPW3620DN*	HTW3620DN*
Typ av kylapparat	Kyl- och frysskåp	Kyl- och frysskåp	Kyl- och frysskåp
Energieffektivitetsklass	D	C	D
Årlig energiförbrukning (kWh/år)	214	176	226
Volym kylidel(L)	201	255	255
Volym frysdel(L)	117	117	125
Volym kylfack(L)	34	34	34
Frysklass	4-stjärnigt	4-stjärnigt	4-stjärnigt
Typ av avfrostning	Automatisk avfrostning	Automatisk avfrostning	Automatisk avfrostning
Temperaturstegringstid (h)	13	13	13
Fryskapacitet(kg/24h)	10,0	10,0	10,0
Klimatklass	SN.N.ST.T	SN.N.ST.T	SN.N.ST.T
Bulleremissionsklass och luftburet akustiskt buller (dB(A) re 1 pW)	B(35)	B(35)	B(35)



Modell	HDPW5618CN*	HDPW5620CN*	HDPW5620AN*
Typ av kylapparat	Kyl- och frysskåp	Kyl- och frysskåp	Kyl- och frysskåp
Energieffektivitetsklass	C	C	A
Årlig energiförbrukning (kWh/år)	171	176	114
Volym kylidel(L)	201	255	255
Volym frysdel(L)	117	117	120
Volym kylfack(L)	34	34	34
Frysklass	4-stjärnigt	4-stjärnigt	4-stjärnigt
Typ av avfrostning	Automatisk avfrostning	Automatisk avfrostning	Automatisk avfrostning
Temperaturstegringstid (h)	13	13	16
Fryskapacitet (kg/24h)	10,0	10,0	10,0
Klimatklass	SN.N.ST.T	SN.N.ST.T	SN.N.ST.T
Bulleremissionsklass och luftburet akustiskt buller (dB(A) re 1 pW)	B(35)	B(35)	B(35)



Ytterligare tekniska uppgifter

Modell	HTW5618DN*	HTW5618EN*	HTW5620DN*
Total volym(L)	360	360	414
Spänning/frekvens	220~240V/50Hz	220~240V/50Hz	220~240V/50Hz
ingångsström(A)	1.4	1.4	1.4
Huvudsäkring(A)	16	16	16
Köldmedium	R600a (53 g)	R600a (53 g)	R600a (53 g)
Mått (B/D/H i mm)	595*667*1 850	595*667*1 850	595*667*2 050

Modell	HTW5618CN*	HTW5620CN*	HTW5620EN*
Total volym(L)	360	414	414
Spänning/frekvens	220~240V/50Hz	220~240V/50Hz	220~240V/50Hz
ingångsström(A)	1.4	1.4	1.4
Huvudsäkring(A)	15	15	16
Köldmedium	R600a(50g)	R600a(50g)	R600a(53g)
Mått (B/D/H i mm)	595*667*1850	595*667*2050	595*667*2050



Modell	HDPW5618DN*	HDPW5620DN*	HDPW3620DN*
Total volym(L)	352	406	406
Spänning/frekvens	220~240V/50Hz	220~240V/50Hz	220~240V/50Hz
ingångsström(A)	1.4	1.4	1.4
Huvudsäkring(A)	16	16	16
Köldmedium	R600a(53g)	R600a(53g)	R600a(53g)
Mått (B/D/H i mm)	595*667*1850	595*667*2050	595*667*2050

Modell	HDPW5618CN*	HDPW5620CN*	HDPW5620AN*
Total volym(L)	352	406	409
Spänning/ frekvens	220~240V/50Hz	220~240V/50Hz	220~240V/50Hz
ingångsström(A)	1.4	1.4	1.4
Huvudsäkring(A)	15	15	15
Köldmedium	R600a (50 g)	R600a (50 g)	R600a (50 g)
Mått (B/D/H i mm)	595*667*1 850	595*667*2 050	595*667*2 050



Modell	HDPW5618CN*	HDPW5620CN*	HDPW5620AN*
Total volym(L)	352	406	409
Spänning/frekvens	220~240V/50Hz	220~240V/50Hz	220~240V/50Hz
ingångsström(A)	1.4	1.4	1.4
Huvudsäkring(A)	15	15	16
Köldmedium	R600a(50g)	R600a(50g)	R600a(50g)
Mått (B/D/H i mm)	595*667*1850	595*667*2050	595*667*2050



Vi rekommenderar vår Haier-kundtjänst och användning av originalreservdelar. Om du har problem med din apparat, kontrollera först avsnittet FELSÖKNING.

Om du inte hittar en lösning där kontakta

- ▶ din lokala återförsäljare eller
- ▶ vårt European Call Service-Center (se angivna telefonnummer nedan) eller
- ▶ Service & Support-området på www.haier.com där du kan aktivera
- ▶ serviceanspråket och hitta vanliga frågor och svar.

Om du vill kontakta vår tjänst ska du se till att du har följande uppgifter tillgängliga. Informationen finns på tyskskylten.

Modell _____

Serienummer. _____

Kontrollera även det garantikort som medföljer produkten i händelse av garanti.

European Call Service-Center		
Land*	Telefonnummer	Pris
Haier Italy (IT)	199 100 912	
Haier Spain (ES)	902 509 123	
Haier Germany (DE)	0180 5 39 39 99	<ul style="list-style-type: none"> • 14 Ct/min på fast linje • max 42 Ct/min på mobil linje
Haier Austria (AT)	0820 001 205	<ul style="list-style-type: none"> • 14,53 Ct/min på fast linje • max 20 Ct/min på alla andra
Haier United Kingdom (UK)	0333 003 8122	
Haier France (FR)	0980 406 409	



* För andra länder, se www.haier.com

Haier Europe Trading S.r.l

Filial i Storbritannien

Westgate House, Westgate, Ealing

London, W5 1YY

* Garantins giltighetstid för apparaten:

Minsta garantiperiod är: 2 år för EU-länder, 3 år för Turkiet, 1 år för Storbritannien, 1 år för Ryssland, 3 år för Sverige, 2 år för Serbien, 5 år för Norge, 1 år för Marocko, 6 månader för Algeriet, ingen juridisk garanti krävs i Tunisien.

* Perioden för reparation av apparatens reservdelar:

Termostater, temperaturgivare, kretskort och ljuskällor finns tillgängliga under minst sju år efter det att den sista enheten av samma modell har släppts på marknaden.

Dörrhandtag, dörrgångjärn, brickor och korgar under minst sju år och dörrpackningar under minst tio år efter att den sista enheten av samma modell har släppts på marknaden.

* För mer information om produkten, se <https://eprel.ec.europa.eu/> eller skanna QR-koden på energimärkningen bifogad med apparaten.



Haier

2023 Versiunea A



0060534356

557 Информация за безопасност

<u>Преди първоначална употреба</u>	558
<u>Монтиране</u>	558
<u>Ежедневна употреба</u>	559

562 Предназначение

563 Описание на продукта

567 Панел за управление

568 Употреба

<u>Регулиране на температурата на хладилника</u>	569
<u>Регулиране на температурата на фризера</u>	569
<u>Регулиране на температурата на „My Zone“</u>	569
<u>Функция „Super-Cool“</u>	570
<u>Функция „Super-Frz“</u>	571

576 Оборудване

580 Съвети за пестене на енергия

581 Грижа и почистване

584 Отстраняване на неизправности

588 Монтаж

592 Технически данни

598 Обслужване на клиенти



Моля, щракнете върху съдържанието, за да видите подробна информация.



Благодарим Ви, че закупихте продукт на Haier.

Моля, прочетете внимателно тези инструкции, преди да използвате този уред. Инструкциите съдържат важна информация, която ще Ви помогне да използвате уреда по възможно най-пълноценен начин и да се уверите, че той ще бъде инсталиран, използван, и поддържан правилно и безопасно.

Съхранявайте това ръководство на удобно място, за да можете по всяко време да направите справка относно безопасното и правилно използване на уреда.

Ако продадете, подарите или оставите уреда в старото си жилище, когато се преместите, моля, предайте и това ръководство на новия собственик, за да може той да се запознае с уреда и с предупрежденията за безопасност.

Принадлежности

Проверете дали принадлежностите и книжните материали са в съответствие с този списък:



Поставка за яйца



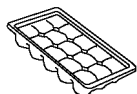
Енергиен етикет



Гаранционна карта



Ръководство за потребителя



Форма за лед



Панти на вратите



Капак на панти



Вложка на капачка



ПРЕДУПРЕЖДЕНИЕ – Важна информация за безопасност



ЗАБЕЛЕЖКА – Обща информация и съвети



Информация за околната среда



Обезвреждане

Помогнете за опазването на околната среда и човешкото здраве. Поставете опаковъчните материали в подходящите контейнери, за да бъдат рециклирани. Помогнете за рециклирането на отпадъци от електрически и електронни уреди. Уреди, обозначени с този символ, не бива да бъдат изхвърляни заедно с битовите отпадъци. Върнете продукта в местното съоръжение за рециклиране или се свържете с общинската служба.



ПРЕДУПРЕЖДЕНИЕ!

Опасност от нараняване или задушаване!

Хладилните агенти и газовете трябва да се обезвреждат по професионален начин. Уверете, че тръбите на охладителната верига не са повредени, преди да ги изхвърлите по подходящ начин. Изключете уреда от захранването. Отрежете захранващия кабел и го изхвърлете. Отстранете тавите и чекмеджетата, както и уплътненията на вратата и механизма за затварянето ѝ, за да предотвратите затварянето на деца и домашни любимци в уреда.



Преди да включите уреда за първи път, прочетете следните съвети за безопасност!:



ПРЕДУПРЕЖДЕНИЕ!

Преди първоначална употреба

- ▶ Уверете се, че няма транспортни повреди.
- ▶ Отстранете всички опаковъчни материали и ги оставете на място, недостъпно за деца.
- ▶ Изчакайте поне два часа, преди да монтирате уреда, за да сте сигурни, че охладителната верига е напълно ефективна.
- ▶ За преместването на уреда са нужни поне двама души, защото е тежък.

Монтиране

- ▶ Уредът трябва да бъде поставен на място с добра вентилация. Осигурете пространство от най-малко 10 см над уреда и около уреда.
- ▶ Никога не поставяйте уреда на влажно място или на място, където има опасност да бъде напръскан с вода. Петна и пръски вода трябва да се почистват и подсушават с чиста мека кърпа.
- ▶ Не поставяйте уреда на пряка слънчева светлина или в близост до източници на топлина (напр. печки, нагреватели).
- ▶ Монтирайте и подравнете уреда на място, подходящо за неговия размер и употреба.
- ▶ Поддържайте вентилационните отвори на уреда или на вградената конструкция свободни от препятствия.
- ▶ Уверете се, че електрическата информация на табелката с данни съответства на захранването. Ако не съответства, обърнете се към електротехник.
- ▶ Уредът работи при захранване 220 – 240 VAC/50 Hz. Необичайни колебания в електрическото напрежение могат да доведат до неуспешно стартиране на уреда, да повредят системата за управление на температурата или компресора или да причинят необичаен шум при работа. В такъв случай трябва да се монтира автоматичен регулатор.
- ▶ Не използвайте разклонители и удължители.
- ▶ Не разполагайте преносими разклонители или преносими източници на захранване в задната част на уреда.
- ▶ Уверете се, че захранващият кабел не е заклезен под хладилника. Не стъпвайте върху захранващия кабел.



ПРЕДУПРЕЖДЕНИЕ!

- ▶ Използвайте отделен заземен контакт за захранването, който е лесно достъпен. Уредът трябва да бъде заземен.
Само за Обединеното кралство: Захранващият кабел на уреда е снабден с троен (заземяващ) щепсел, който отговаря на стандартен троен (заземен) контакт. Никога не отрязвайте или демонтирайте третия щифт (заземяване). След монтирането на уреда до щепсела трябва да има достъп.
- ▶ Не причинявайте повреди на охладителната верига.

Ежедневна употреба

- ▶ Този уред може да се използва от деца над 8-годишна възраст и от лица с намалени физически, сетивни или умствени способности или липса на опит и познания, ако се наблюдават или са инструктирани за използването на уреда по безопасен начин и разбират свързаните с това опасности.
- ▶ Деца на възраст от 3 до 8 години могат да товарят и разтоварват, но не могат да почистват или монтират хладилни уреди.
- ▶ Деца под 3-годишна възраст трябва да се пазят далеч от уреда, с изключение на случаите, когато са под постоянен надзор.
- ▶ Децата не бива да използват уреда за игра.
- ▶ Ако в близост до уреда изтича охладителен газ или друг запалим газ, изключете вентила на изтичащия газ, отворете вратите и прозорците и не включвайте и не изключвайте захранващите кабели на хладилника или на друг уред.
- ▶ Обърнете внимание, че уредът е настроен за работа в определен диапазон на температурата на околната среда между 10 и 43°C. Уредът може да не работи правилно, ако е оставен за дълъг период при температура над или под посочения диапазон.
- ▶ Не поставяйте нестабилни предмети (тежки предмети, съдове, пълни с вода) върху хладилника, за да избегнете нараняване, причинено от падане или токов удар при контакт с вода.
- ▶ Не дърпайте рафтовете на вратата. Вратата може да бъде издърпана под наклон, поставката за бутилка може да бъде изтеглена или уредът може да се събори.
- ▶ Отваряйте и затваряйте вратите само посредством дръжките. Пролуката между вратите и между вратите и шкафа е много тясна. Не поставяйте ръцете си в тези зони, за да избегнете прищипване на пръстите. Отваряйте или затваряйте вратите на хладилника само когато в обсега на движението на вратата няма деца.



ПРЕДУПРЕЖДЕНИЕ!

- ▶ Не съхранявайте и не използвайте запалими, експлозивни или корозивни материали в уреда или в близост до него.
- ▶ Не съхранявайте лекарства, бактерии или химически агенти в уреда. Това е домакински уред. Не се препоръчва да съхранявате материали, които изискват строги температури.
- ▶ Никога във фризера не съхранявайте течности в бутилки или консерви (освен високоалкохолни спиртни напитки), особено газирани напитки, тъй като те ще се спукат по време на замразяването.
- ▶ Проверете състоянието на храната, ако във фризера е настъпило затопляне.
- ▶ Не задавайте излишно ниска температура в хладилното отделение. При високи настройки могат да възникнат минусови температури. Внимание: Бутилките могат да се пръснат
- ▶ Не докосвайте замразени продукти с мокри ръце (носете ръкавици). В никакъв случай не яжте ледени близалки веднага след изваждането им от фризерното отделение. Съществува риск от измръзване или образуване на мехури. ПЪРВА помощ: незабавно поставете под течаща студена вода. Не дърпайте!
- ▶ Не докосвайте вътрешната повърхност на отделението за съхранение на фризера, когато уредът работи, особено с мокри ръце, тъй като ръцете ви могат да замръзнат върху повърхността.
- ▶ Изключете уреда от електрическата мрежа в случай на прекъсване на захранването или преди почистване. Изчакайте поне 7 минути, преди да включите отново уреда, тъй като честото стартиране може да повреди компресора.
- ▶ Не използвайте електрически уреди в отделенията за съхранение на храна на уреда, освен ако не са от вид, препоръчан от производителя. Поддръжка/почистване
- ▶ Ако почистване и поддръжка се извършва от деца, уверете се, че те са под надзор.
- ▶ Изключете уреда от електрическото захранване, преди да предприемете каквато и да е рутинна поддръжка. Изчакайте поне 5 минути, преди да включите отново уреда, тъй като честото стартиране може да повреди компресора.

**ПРЕДУПРЕЖДЕНИЕ!**

- ▶ При изключване на уреда хващайте щепсела, а не кабела.
- ▶ Не почиствайте уреда с твърди четки, телени четки, прахообразни препарати, бензин, амилацетат, ацетон и подобни органични разтвори, киселинни или алкални разтвори. Моля, почиствайте със специален препарат за хладилник, за да избегнете повреди.
- ▶ Не стържете скреж и лед с остри предмети. Не използвайте спрейове, електрически нагреватели като сешоари, парочистачки или други източници на топлина, за да се избегне повреда на пластмасовите части.
- ▶ Не използвайте механични устройства или други средства за ускоряване процеса на размразяване, различни от препоръчаните от производителя.
- ▶ Ако хранващият кабел се повреди, той трябва да бъде заменен от производителя, негов обслужващ представител или лице с подобна квалификация, за да се избегне потенциална опасност.
- ▶ Не се опитвайте сами да ремонтирате, разглобявате или модифицирате уреда. При необходимост от ремонт се свържете с нашия отдел за обслужване на клиенти.
- ▶ Отстранявайте прахта по гърба на уреда поне веднъж годишно, за да се избегне пожар, както и повишен разход на енергия.
- ▶ Не пръскайте и не плискайте уреда по време на почистване.
- ▶ Не използвайте водна струя или пара за почистване на уреда.
- ▶ Не почиствайте студените стъклени рафтове с гореща вода. Рязката промяна в температурата може да причини напукване на стъклото.

Информация за хладилния газ**ПРЕДУПРЕЖДЕНИЕ!**

Уредът съдържа запалимия хладилен агент ИЗОБУТАН (R600a). Уверете се, че охладителната верига не е била повредена по време на транспортирането или монтажа. Течът на хладилен агент може да причини нараняване на очите или възпламеняване. При възникване на повреда се пазете от открити източниците на огън, проветрете добре помещението, не включвайте и не изключвайте хранващите кабели на уреда или на друг уред. Информирайте центъра за обслужване на клиенти.

В случай че хладилен агент попадне в очите, изплакнете веднага с течаща вода и незабавно се свържете с офталмолог.



Предвидена употреба

Този уред е предназначен за охлаждане и замразяване на храни. Този уред е предназначен единствено за употреба в домакинството и в други подобни пространства, като кухненски помещения за персонал в магазини, офиси и други работни пространства, земеделски стопанства и за клиенти в хотели, мотели и други помещения за настаняване, като полупансионни и фирми за кетъринг. Не е предназначен за търговска или промишлена употреба. Не е разрешено извършването на промени или модификации на устройството. Използването не по предназначение може да доведе до опасности и загуба на гаранционно покритие.

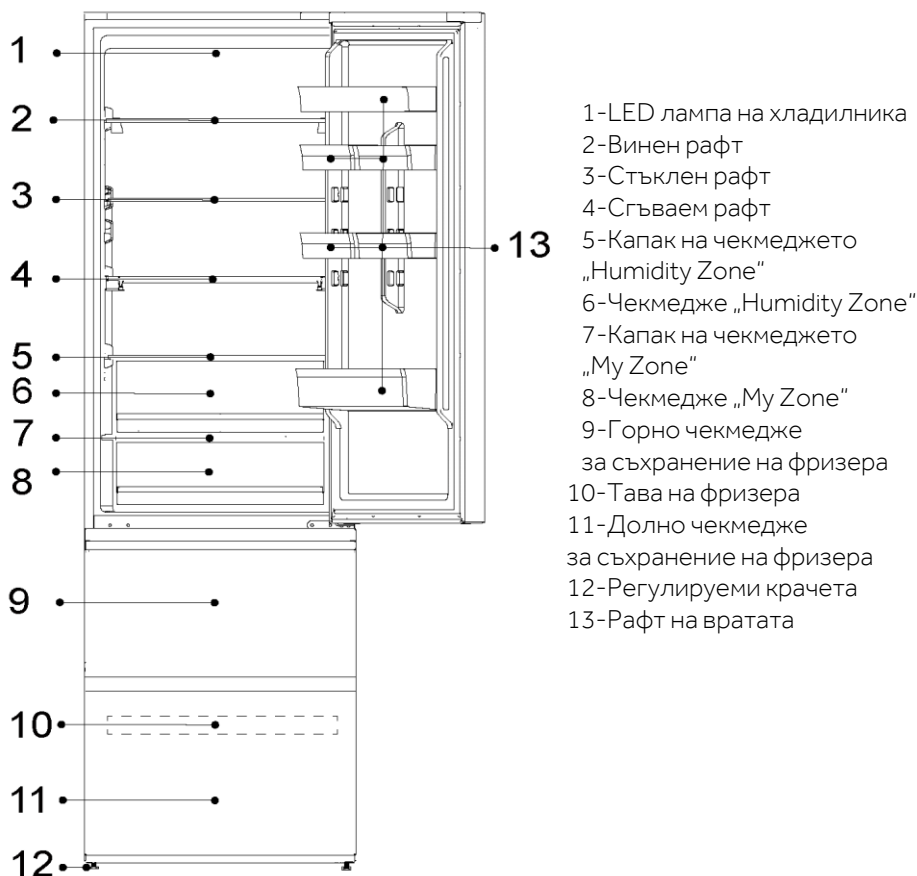
Стандарти и директиви **CE**

Този продукт отговаря на изискванията на всички приложими директиви на ЕО със съответстващите хармонизирани стандарти, които предвиждат маркировка „CE“.

i ЗАБЕЛЕЖКА

Поради технически промени и наличие на различни модели, някои от илюстрациите в това ръководство може да се различават от Вашия модел.

(HTW5620EN*, HTW5620DN*, HTW5620CN*)

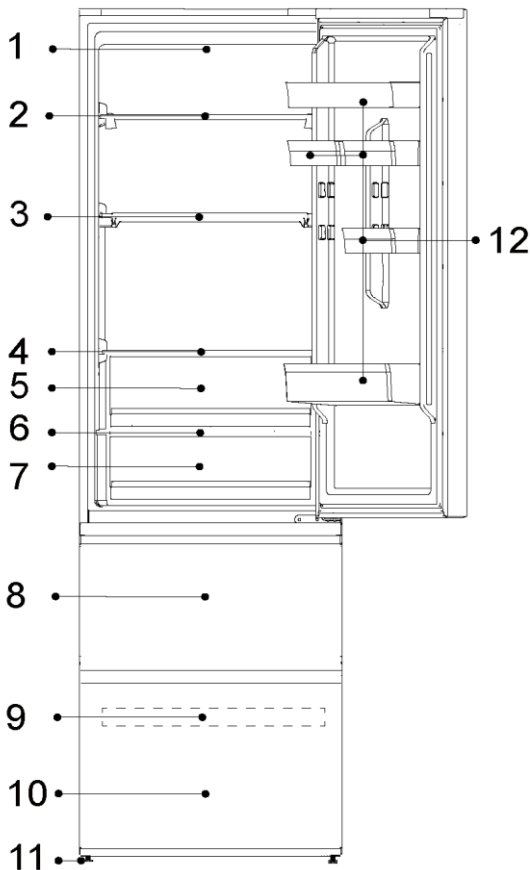




i ЗАБЕЛЕЖКА

Поради технически промени и наличие на различни модели, някои от илюстрациите в това ръководство може да се различават от Вашия модел.

(HTW5618DN*, HTW5618CN*, HTW5618EN*)

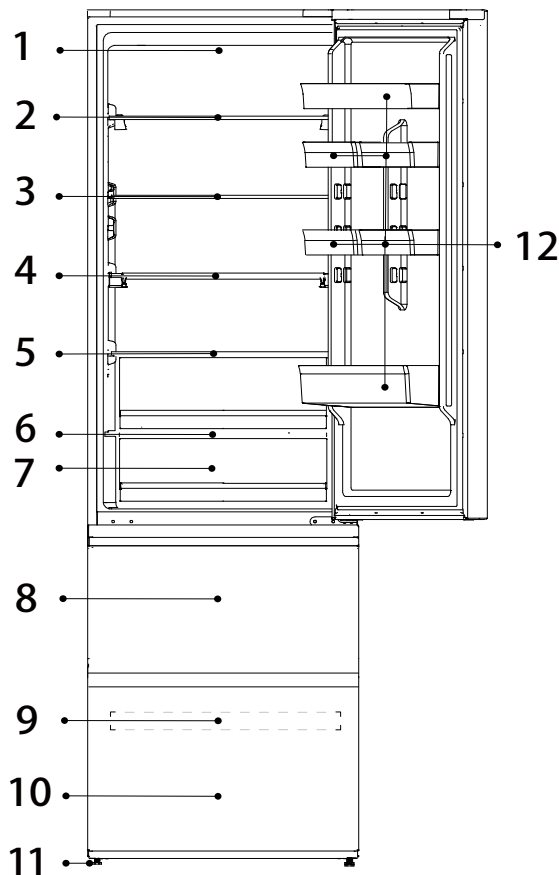


- 1-LED лампа на хладилника
- 2-Винен рафт
- 3-Сгъваем рафт
- 4-Капак на чекмеджето „Humidity Zone“
- 5-Чекмедже „Humidity Zone“
- 6-Капак на чекмеджето „My Zone“
- 7-Чекмедже „My Zone“
- 8-Горно чекмедже за съхранение на фризера
- 9-Тава на фризера
- 10-Долно чекмедже за съхранение на фризера
- 11-Регулируеми крачета
- 12-Рафт на вратата



Поради технически промени и наличие на различни модели, някои от илюстрациите в това ръководство може да се различават от Вашия модел.

(HTW3620EN*, HTW3620DN*, HTW3620CN*)

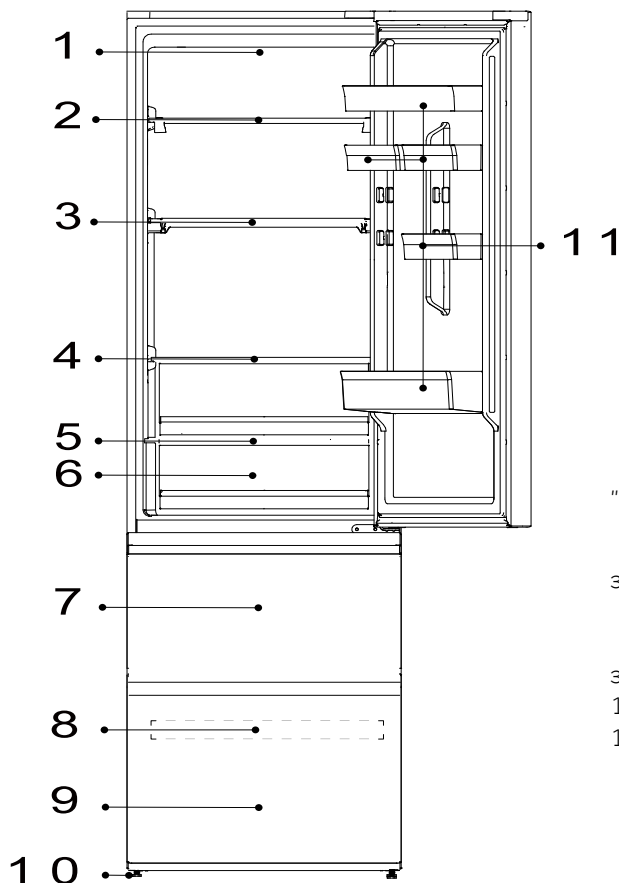


- 1-LED лампа на хладилника
- 2-Съклен рафт
- 3-Съклен рафт
- 4-Съклен рафт
- 5-Съклен рафт
- 6-Капак на чекмеджето „My Zone“
- 7-Чекмедже „My Zone“
- 8-Горно чекмедже за съхранение на фризера
- 9-Тава на фризера
- 10-Долно чекмедже за съхранение на фризера
- 11-Регулируеми крачета
- 12-Рафт на вратата

i NOTICE

Поради технически промени и наличие на различни модели, някои от илюстрациите в това ръководство може да се различават от Вашия модел.

(HTW3618EN*, HTW3618DN*, HTW3618CN*)

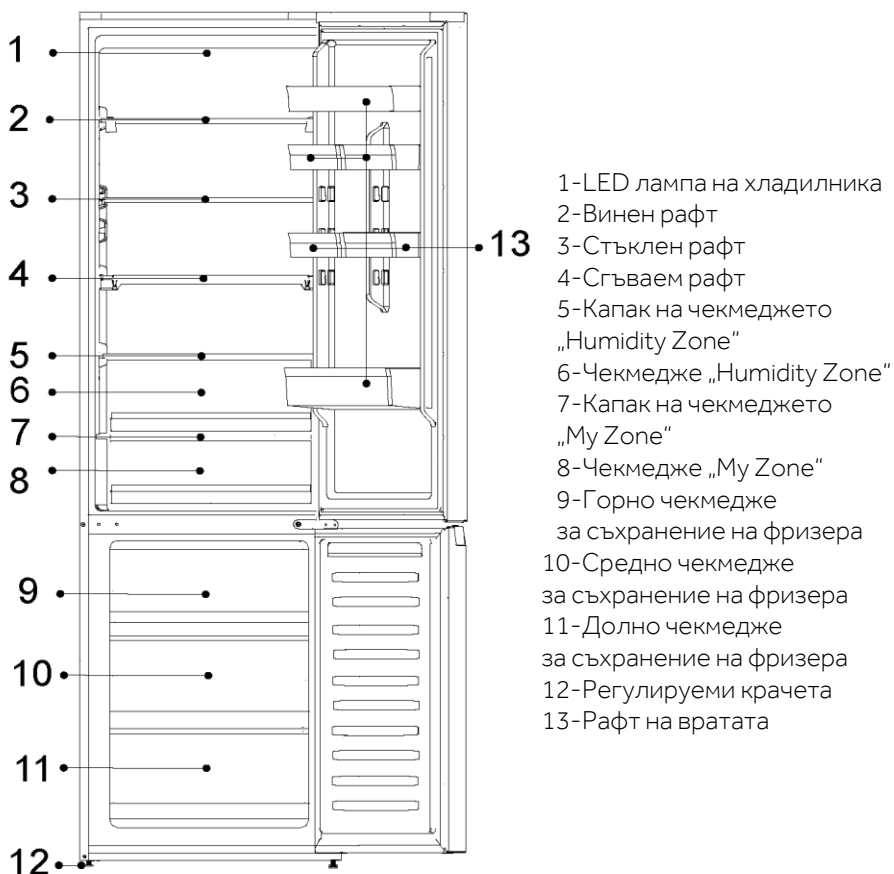


- 1-LED лампа на хладилника
- 2-Съклен рафт
- 3-Съклен рафт
- 4-Съклен рафт
- 5-Капак на чекмеджето „My Zone“
- 6-Чекмедже „My Zone“
- 7-Горно чекмедже за съхранение на фризера
- 8-Тава на фризера
- 9-Долно чекмедже за съхранение на фризера
- 10-Регулируеми крачета
- 11-Рафт на вратата

i ЗАБЕЛЕЖКА

Поради технически промени и наличие на различни модели, някои от илюстрациите в това ръководство може да се различават от Вашия модел.

(HDPW5620DN*, HDPW5620CN*, HDPW5620BN*, HDPW5620AN*)

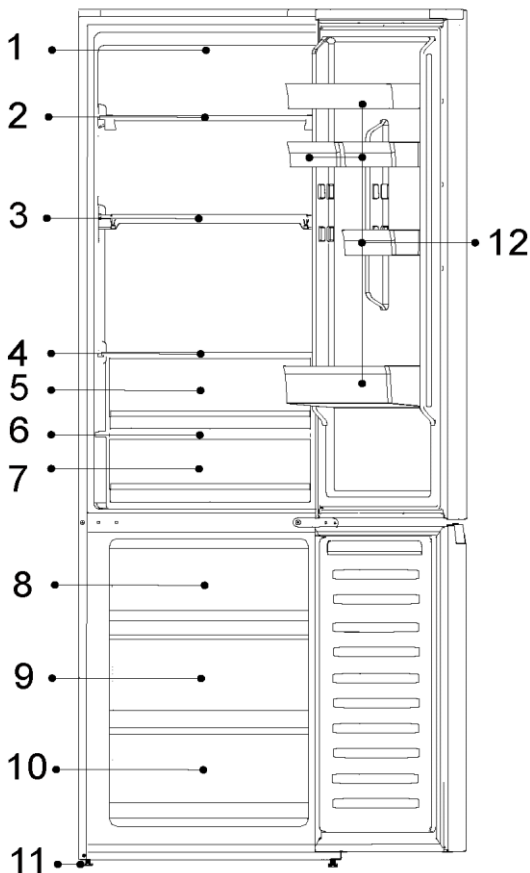




ЗАБЕЛЕЖКА

Поради технически промени и наличие на различни модели, някои от илюстрациите в това ръководство може да се различават от Вашия модел.

(HDPW5618DN*, HDPW5618CN*)

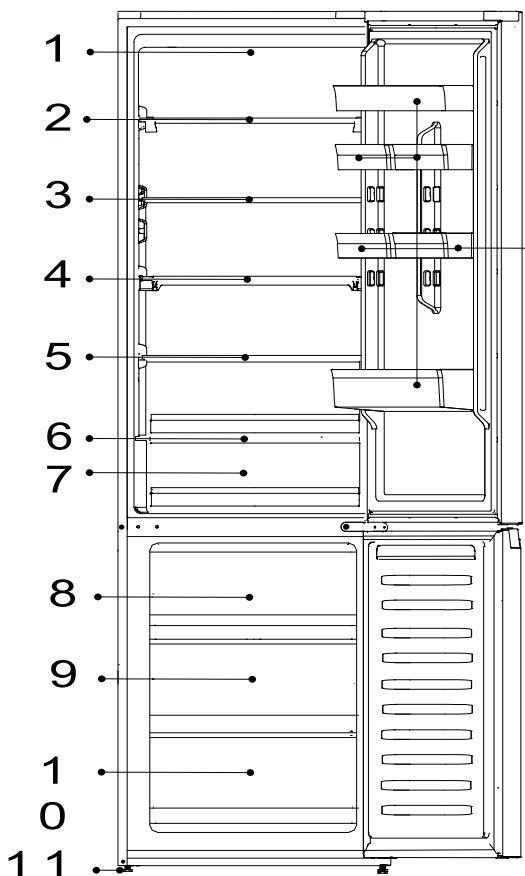


- 1-LED лампа на хладилника
- 2-Винен рафт
- 3-Сгъваем рафт
- 4-Капак на чекмеджето „Humidity Zone“
- 5-Чекмедже „Humidity Zone“
- 6-Капак на чекмеджето „My Zone“
- 7-Чекмедже „My Zone“
- 8-Горно чекмедже за съхранение на фризера
- 9-Средно чекмедже за съхранение на фризера
- 10-Долно чекмедже за съхранение на фризера
- 11-Регулируеми крачета
- 12-Рафт на вратата



Поради технически промени и наличие на различни модели, някои от илюстрациите в това ръководство може да се различават от Вашия модел.

(HDPW3620DN*, HDPW3620CN*)



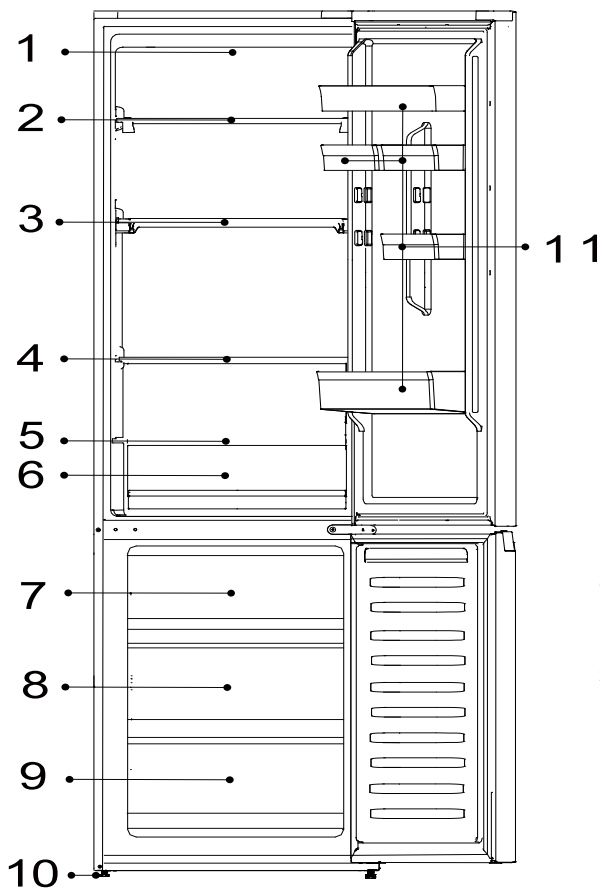
- 1-LED лампа на хладилника
- 2-Съклен рафт
- 3-Съклен рафт
- 4-Съклен рафт
- 5-Съклен рафт
- 6-Капак на чекмеджето „My Zone“
- 7-Чекмедже „My Zone“
- 8-Горно чекмедже за съхранение на фризера
- 9-Тава на фризера
- 10-Долно чекмедже за съхранение на фризера
- 11-Регулируеми крачета
- 12-Рафт на вратата



NOTICE

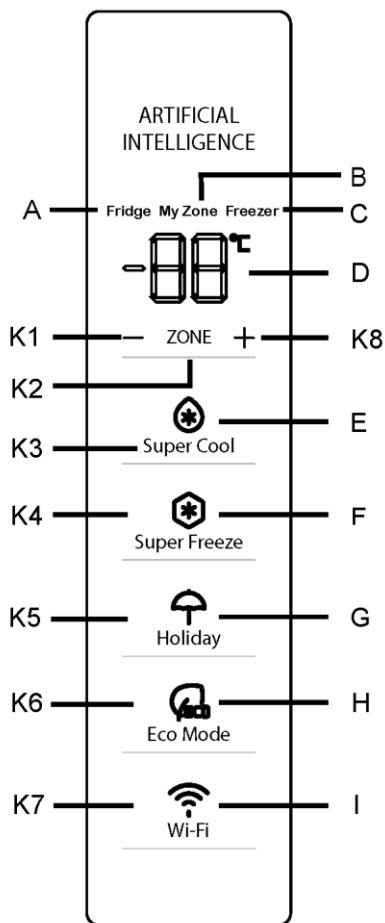
Поради технически промени и наличие на различни модели, някои от илюстрациите в това ръководство може да се различават от Вашия модел.

(HDPW3618DN*, HDPW3618CN*)



- 1-LED лампа на хладилника
- 2-Съклен рафт
- 3-Съклен рафт
- 4-Съклен рафт
- 5-Капак на чекмеджето „My Zone“
- 6-Чекмедже „My Zone“
- 7-Горно чекмедже за съхранение на фризера
- 8-Тава на фризера
- 9-Долно чекмедже за съхранение на фризера
- 10-Регулируеми крачета
- 11-Рафт на вратата

Панел за управление



Индикатори:

- A Хладилно отделение
- B Охлаждащо отделение (My Zone)
- C Фризерно отделение
- D Дисплей за температурата
- E Функция „Super Cool“
- F Функция „Super Freeze“
- G Функция „Holiday“
- H Функция „Eco Mode“
- I Функция Wi-Fi

Бутони:

- K1 Намаляване на температурата
- K2 Избор на хладилник, My Zone или фризер
- K3 Включване/изключване на функция „Super Cool“
- K4 Включване/изключване на функция „Super Freeze“
- K5 Включване/изключване на функция „Holiday“
- K6 Включване/изключване на функция „Eco Mode“
- K7 Включване/изключване на Wi-Fi функция
- K8 Повишаване на температурата

Преди първоначална употреба

Отстранете всички опаковъчни материали, дръжте ги далеч от деца, и ги изхвърлете по природосъобразен начин.

Почистете уреда отвътре и отвън, както и вътрешността и аксесоарите, с вода и мек почистващ препарат и подсушете добре с мека кърпа.

След като уредът е нивелиран и почистен, моля, изчакайте поне 2 часа, преди да го свържете към захранването. Вижте раздел „МОНТИРАНЕ“.

Преди да заредите с храна, предварително охладете отделенията при високи настройки. Функцията „Super Freeze“ помага за бързото охлаждане на фризерното отделение

Сензорни бутони

Бутоните на контролното табло са сензорни и реагират при леко докосване с пръст.

Включване/изключване на уреда

Уредът започва да работи, веднага щом бъде свързан към захранването.

Когато уредът се включи за първи път, температурните индикатори „D“ показват предварително зададените стойности (вижте забележката по-долу).

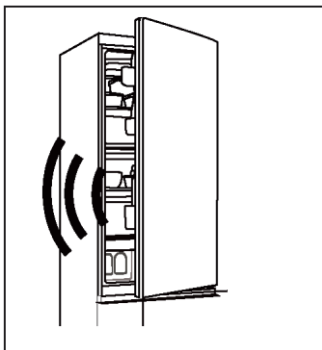
ЗАБЕЛЕЖКА

Уредът е предварително настроен на препоръчителната температура от 5°C (хладилник) и -18°C (фризер). Температурата на „My Zone“ е предварително зададена на около 2°C. Това са препоръчителните настройки. По желание може да промените тези температури ръчно.

Аларма при отворена врата

Когато вратата на хладилника е отворена за повече от 3 минути, ще се включи звуковата аларма за отваряне на вратата.

Алармата спира при затваряне на вратата. Ако вратата е отворена за повече от 7 минути, лампата вътре в хладилника и осветлението на контролния панел ще се изключат автоматично.



Регулиране на температурата

Температурите в уреда се влияят от следните фактори:

- ▶ Температура на околната среда
- ▶ Честота на отваряне на вратата
- ▶ Количество на съхраняваните храни
- ▶ Монтиране на уреда



Регулиране на температурата на хладилника

1. Натиснете бутона „K2“ (Избор на хладилник, My Zone или фризер), за да изберете хладилното отделение. Иконите „А“ (Хладилно отделение) и „D“ (Дисплей за температурата) светят ярко.
2. Натиснете бутоните „K1/K8“, за да зададете температурата на хладилника. Температурата се повишава последователно с 1°C, от минимум 2°C до максимум 8°C. Оптималната температура в хладилника е 5°C. По-ниските температури означават ненужен разход на енергия.
3. След около 5 секунди иконата за температура „D“ (Дисплей за температурата) ще свети постоянно и настройката ще е потвърдена.

Регулиране на температурата на фризера

1. Натиснете бутона „K2“ (Избор на хладилник, My Zone или фризер), за да изберете фризерното отделение. Иконите „С“ (Фризерно отделение) и „D“ (Дисплей за температурата) светят ярко.
2. Натиснете бутоните „K1/K8“, за да зададете температурата на фризера. Температурата се повишава последователно с 1°C, от минимум -24°C до максимум -16°C. Оптималната температура в хладилника е -18°C. При по-ниски температури се получава ненужно потребление на енергия.
3. След около 5 секунди иконата за температура „D“ (Дисплей за температурата) ще свети постоянно и настройката ще е потвърдена.

Регулиране на температурата на „My Zone“

Хладилното отделение е оборудвано с чекмедже „My Zone“. В съответствие с изискванията за съхранение на храната, може да бъде избрана най-подходящата температура, за да се извлече оптималната хранителна стойност на храните.

1. Натиснете бутона „K2“ (Избор на хладилник, My Zone или фризер), за да изберете отделението „My Zone“. Иконите „В“ (Отделение „My Zone“) и „D“ (Дисплей за температурата) светят ярко.
2. Натиснете бутоните „K1/K8“, за да зададете температурата на „My Zone“. Температурата се повишава последователно с 1°C, от минимум 0°C до максимум 5°C.
3. След около 5 секунди иконата за температура „D“ (Дисплей за температурата) ще свети постоянно и настройката ще е потвърдена.



ЗАБЕЛЕЖКА

1. Можете да зададете температурата на отделението „My Zone“ на средно ниво (2°C), за да се запази храната в оптимална среда за съхранение.
2. Поради различното съдържание на вода в месото, някои меса с по-голяма влажност ще замръзнат при температури, по-ниски от 0°C. Затова месото, което ще се консумира незабавно, трябва да се съхранява в чекмеджето „My Zone“ с минимална температура 0°C.
3. Плодовете, чувствителни към студени температури като ананас, авокадо, банани, грейпфрути и зеленчуци като картофи, патладжани, боб, краставици, тиквички и домати, както и сирене, не трябва да се съхраняват в чекмеджето „My Zone“.
4. Ако температурата на хладилника е по-ниска от температурата на „My Zone“, нормално е температурата на „My Zone“ да е по-ниска от зададената температура на „My Zone“.

ЗАБЕЛЕЖКА

След задаване на температурата, ако в рамките на 5 секунди бъде натиснат някой от другите бутони, текущата настройка на температурата ще бъде потвърдена незабавно. Ако не се натисне нито един бутон в рамките на 5 секунди, текущата зададена температура се показва, докато екранът изгасне.

ЗАБЕЛЕЖКА

От приложението е възможно да се персонализира температурата на хладилното и фризерното отделение, както и на „My Zone“. Температурата може да се настрои със стъпка от 1°C.

Функция „Super Cool“

1. Препоръчително е да включите функцията „Super Cool“, ако трябва да съхранявате голямо количество храна (например след покупка). Функцията „Super Cool“ ускорява охлаждането на прясната храна и предпазва вече съхранените продукти от нежелано затопляне.
2. Натиснете бутона „K3“ или го включете от приложението, иконата „E“ (Функция „Super Cool“) ще светне ярко и функцията ще бъде активирана.



i ЗАБЕЛЕЖКА

1. Уредът прекратява функцията „Super Cool“ след като тя е била активна в продължение на 6 часа, чрез натискане на бутон „K3“, когато иконата „E“ (Функция „Super Cool“) свети ярко, или когато я изключите от приложението.
2. В активирана Функция „Super Cool“, ако температурата на хладилното отделение бъде регулирана, иконата „E“ (Функция „Super Cool“) ще примигне, за да покаже, че тази операция не може да бъде извършена.

Функция „Super Freeze“

1. Пресните храни трябва да бъдат изцяло замразени възможно най-бързо. Това може да запази най-добрата хранителна стойност, външен вид и вкус. Функцията „Super Freeze“ ускорява замразяването на прясната храна и предпазва вече съхранените продукти от нежелано затопляне. Ако се налага да замразите едновременно голямо количество храна, препоръчително е да зададете функцията „Super Freeze“ 24 часа преди използването на пространството за замразяване.
2. Натиснете бутона „K4“ (Настройка на функцията „Super Freeze“) или го включете от приложението, иконата „F“ (Функция „Super Freeze“) ще светне ярко и функцията ще бъде активирана.

i ЗАБЕЛЕЖКА

1. Уредът прекратява функцията „Super Freeze“ след като тя е била активна в продължение на 50 часа, чрез натискане на бутон „K4“, когато иконата „F“ (Функция „Super Freeze“) свети ярко, или когато я изключите от приложението.
2. В активирана Функция „Super Freeze“, ако температурата на фризерното отделение бъде регулирана, иконата „F“ (Функция „Super Freeze“) ще примигне, за да покаже, че тази операция не може да бъде извършена.

Функция „Holiday“

Функцията „Holiday“ може да се използва за намаляване на консумацията на енергия от уреда, когато не се използва редовно. Когато функцията е включена, хладилникът е изключен, докато фризерът ще продължи да работи нормално. Функцията настройва температурата на хладилника за постоянно на 17°C.

Това позволява да държите вратата на празния хладилник затворена, без да се причиняват миризма или плесен – по време на продължително отсъствие (например по време на почивка). Фризерното отделение е готово за вашата настройка.



1. Натиснете бутона „K5“ (Включване/изключване на функция „Holiday“) или го включете от приложението, иконата „G“ (Функция „Holiday“) ще светне ярко и функцията ще бъде активирана.
2. Функцията може да се деактивира чрез повторно натискане на бутона „K5“ (Включване/изключване на функция „Holiday“), чрез регулиране на температурата на хладилника или чрез извършване на друга настройка, или чрез изключване от приложението.

ЗАБЕЛЕЖКА

1. Когато функцията „Holiday“ е активирана, в хладилното отделение не трябва да се съхранява храна. Температурата от 17°C е твърде висока за съхранение на храна.
2. Когато функцията „Holiday“ е включена, иконата „My Zone“ остава изключена и функциите на хладилника са заключени. Ако температурата на хладилното отделение бъде регулирана, иконата „G“ (Функция „Holiday“) ще примигне, за да покаже, че тази операция не може да бъде извършена.

Функция „Eco Mode“

Функцията „Eco Mode“ може да се активира, за да се оптимизира работата на уреда, докато се постигне най-доброто съхранение на храни. Ако нямате никакви специални изисквания, препоръчваме ви да използвате функцията „Eco Mode“.

В този режим температурата на хладилника е 5°C, а температурата на фризера е -18°C.

1. Натиснете бутона „K6“ (Включване/изключване на функция „Eco Mode“) или изберете функцията от приложението.
2. Иконата „H“ (Функция „Eco Mode“) ще светне ярко и функцията ще бъде активирана.

Като повторите горните стъпки или изберете друга функция, или я изключите от приложението, тази функция може да бъде изключена отново. Възстановяват се предишните зададени нива на охлаждане.

ЗАБЕЛЕЖКА

По време на работеща функция „Eco Mode“, ако температурата на хладилното или на фризерното отделение бъде регулирана, иконата „H“ (Функция „Eco Mode“) ще примигне, за да покаже, че тази операция не може да бъде извършена.



Стъпка 1 Изтеглете приложението hOn от магазините.

Стъпка 1 Създайте своя профил в приложението hOn или влезте, ако вече имате такъв.

Стъпка 2 Следвайте инструкциите за сдвояване в приложението hOn.

Функция Wi-Fi

1. Следвайте инструкциите в приложението, за да конфигурирате Wi-Fi.
2. След като Wi-Fi е конфигурирано и връзката е установена, иконата за Wi-Fi „I“ е ярка и фиксирана.
3. Ако Wi-Fi вече е конфигурирано, при включване на Wi-Fi автоматично ще се свърже, използвайки информацията за конфигурацията.

i ЗАБЕЛЕЖКА

1. За да изключите Wi-Fi, натиснете бутона за Wi-Fi „K7“, иконата за Wi-Fi „I“ се изключва
2. За да включите Wi-Fi и да започнете конфигурацията, натиснете Wi-Fi бутона „K7“ и Wi-Fi иконата „I“ започва бавно да мига. Ако искате да конфигурирате функцията Wi-Fi, натиснете бутона „K7“ за 3 секунди, иконата за Wi-Fi мига бързо и влиза в режим на конфигуриране. Ако искате да изключите функцията Wi-Fi, натиснете веднъж бутон „K7“. Повторете горните стъпки.
3. Ако продуктът е бил конфигуриран и функцията Wi-Fi е била изключена, хладилникът няма да влезе в режим на конфигурация след повторно включване на захранването.

i ЗАБЕЛЕЖКА

1. Този продукт не е предназначен за търговска употреба.
2. Максимална RF изходна мощност: 2,4 GHz Wi-Fi: 16 dBm;
3. Bluetooth® Low Energy: 5dBm; Bluetooth® (BR/EDR): 10dBm.
4. Честотен диапазон на работа: 2400-2483.5 MHz.

Търговската марка и логотата Bluetooth® са регистрирани търговски марки, притежание на Bluetooth SIG, Inc., и всяко тяхно използване от страна на Candy Hoover Group SRL се извършва по лиценз. Всички останали търговски марки и търговски наименования са собственост на съответните им притежатели.



Съхранение в хладилното отделение

- Поддържайте температурата на хладилника си под 5° C.
- Горещата храна трябва да изстине до стайна температура, преди да бъде съхранявана в уреда.
- Съхраняваната в хладилника храна трябва да бъде измита и подсушена.
- Храната, която ще се съхранява, трябва да бъде затворена правилно, за да се избегнат промени на аромата или вкуса.
- Не съхранявайте прекомерни количества храна. Оставете пространства между храните, за да може около тях да преминава студен въздух, което осигурява по-добро и по-равномерно охлаждане.
- Храни, консумирани ежедневно, трябва да се съхраняват в предната част на рафта.
- Оставете разстояние между храните и вътрешните стени, за да може да преминава въздух. Във всички случаи, избягвайте да допирате храните, които съхранявате, до задната стена, тъй като могат да залепнат за стената. Избягвайте директен контакт на храната (особено мазна или киселинна храна) с вътрешната облицовка, тъй като е възможно тя да бъде разядена от мазнина или киселина. Когато откриете мазна/киселинна мръсотия, я почиствайте веднага.
- Замразената храна може да бъде внимателно размразена в хладилното отделение. Това пести енергия.
- Процесът на стареене на плодове и зеленчуци като тиквички, пъпеши, папая, банан, ананас и др. може да се ускори в хладилника. Следователно не е препоръчително да ги съхранявате в хладилника. Узряването на много зелени плодове обаче може да бъде стимулирано за определен период. Лук, чесън, джинджифил и други кореноплодни зеленчуци трябва да се съхраняват при стайна температура.
- Неприятните миризми в хладилника сигнализират, че нещо се е разляло и е необходимо почистване. Вижте „Грижа и почистване“.
- Различните храни трябва да се поставят в различни зони според техните свойства.

Съхранение във фризерното отделение

- Поддържайте температурата на фризера на -18°C.
- Включете функцията „Super-Freeze“ 24 часа преди замразяване. За малки количества храна са достатъчни 4–6 часа.
- Горещата храна трябва да изстине до стайна температура, преди да бъде съхранявана във фризерното отделение.
- Храна, нарязана на малки порции, ще замръзне по-бързо и ще бъде по-лесна за размразяване и готвене. Препоръчителното тегло за всяка порция е под 2,5 кг
- Най-добре е храната да бъде опакована, преди да я поставите във фризера. Външната страна на опаковката трябва да е суха, за да се избегне слепване



на торбички. Опаковъчните материали трябва да са без мирис, херметически затворени, да не съдържат отрови и токсини.

- За да се избегне изтичането на сроковете за съхранение, моля, обърнете внимание на датата на замразяване, срока и името на храната върху опаковката според сроковете за съхранение на различни храни.



ПРЕДУПРЕЖДЕНИЕ!

- ▶ Киселина, алкали, сол и др. могат да разядат вътрешната повърхност на фризера.
- ▶ Не поставяйте храна с тези вещества (напр. морски риби) директно върху вътрешната повърхност. Солената вода във фризера трябва да се почисти незабавно.
- ▶ Не надхвърляйте времето за съхранение на храните, препоръчвано от производителите. Изваждайте само необходимото количество храна от фризера.
- ▶ Консумирайте размразените храни бързо. Размразената храна не може да бъде замразявана повторно, освен ако преди това не бъде сготвена, в противен случай ще загуби качествата си.
- ▶ Не зареждайте прекомерни количества прясна храна във фризерното отделение. Вижте капацитета на замразяване на фризера – вижте ТЕХНИЧЕСКИ ДАННИ или данните на типовата табелка.
- ▶ Храна може да бъде съхранявана във фризера при температура от поне -18°C за срок от 2 до 12 месеца в зависимост от характеристиките ѝ (напр. месо: 3 – 12 месеца, зеленчуци: 6–12 месеца)
- ▶ Когато замразявате пресни храни, избягвайте да ги допирате до вече замразени храни. Риск от размразяване!

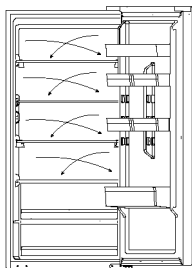
Когато съхранявате търговски замразени продукти, моля, следвайте тези указания:

- Винаги следвайте указанията на производителя за допустимата продължителност на съхранение на храната. Не пренебрегвайте тези указания!
- Опитайте се да съхранявате храната след покупката ѝ възможно най-кратко, за да се запази нейното качество.
- Купувайте замразени храни, които са били съхранявани при температура от -18°C или по-ниска.
- Избягвайте да купувате храна, която има лед или замръзване върху опаковката – това показва, че продуктите може да са били частично размразени и отново замразени. Повишаването на температурата се отразява на качеството на храната.



i ЗАБЕЛЕЖКА

Поради разлики в моделите, вашият продукт може да няма всички от следните функции. Моля, вижте глава „Описание на продукта“.

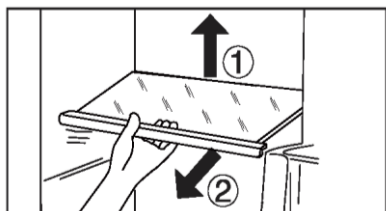


Многоточков въздушен поток

Хладилникът е оборудван със система за многоточков въздушен поток, което позволява студени въздушни струи да текат през всеки рафт. Това помага за поддържането на постоянна температура, за да може храната Ви да остане свежа за по-дълго.

Регулируем рафт

1. Височината на рафтовете може да се регулира според Вашите нужди за съхранение.
2. За да преместите рафт, първо го извадете, като повдигнете задния му ръб ① и го издърпате навън ②.
3. За да го поставите обратно, го сложете на релсите от двете страни и го избутайте до най-задното положение, докато задната част на рафта не се застопори в страничните отвори.



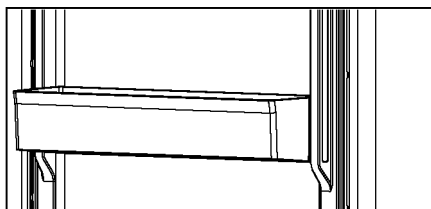
i ЗАБЕЛЕЖКА

Уверете се, че всички страни на рафта са подравнени.

Подвижни рафтове за вратата

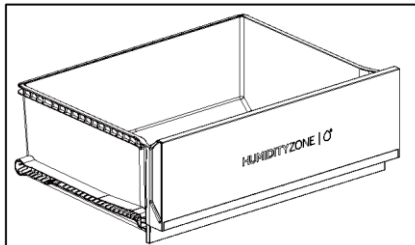
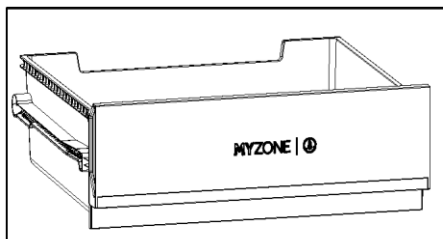
Рафтът на вратата може да се свали за почистване:

Хванете рафта с ръце от двете страни, повдигнете го нагоре (1) и го извадете (2). За да поставите рафта на вратата, следвайте горните стъпки в обратен ред.



Чекмедже „My Zone“

За използване и настройка на отделението „My Zone“, моля, проверете раздел „Употреба“ (My Zone).



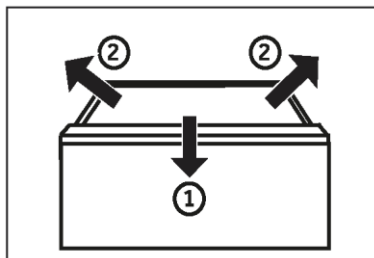
Чекмедже „Humidity Zone“

В това отделение нивото на влажност се управлява автоматично от системата и е подходящо за съхранение на плодове, зеленчуци, салати и др.

Вадещо се чекмедже

За да извадите чекмеджето от хладилника или фризерното отделение, издърпайте максимално (1), повдигнете и извадете (2).

За да поставите чекмеджето обратно, следвайте горните стъпки в обратен ред.



Чекмедже на фризера

Чекмеджето на фризера може да се издърпа изцяло. Монтирано е на плъзгача се лесно телескопична релса. Така, че да можете удобно да съхранявате и да вадите продуктите за замразяване. Благодарение на механизма за автоматично затваряне на вратата, преместването е лесно и спестявате енергия.



ПРЕДУПРЕЖДЕНИЕ!

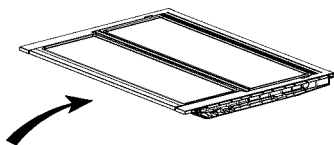
Не претоварвайте чекмеджетата: Максимално натоварване на всяко чекмедже: 35 кг!

Осветление

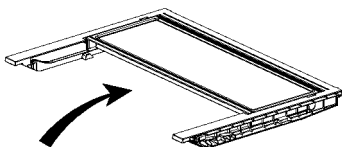
При отваряне на вратата се включва вътрешното LED осветление. Работата на лампите не се влияе от никоя друга настройка на уреда.

Сгъваем рафт

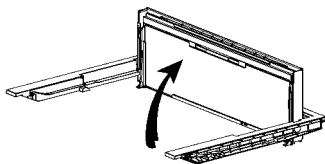
Сгъваемият рафт позволява на потребителя да постави високи бутилки или предмети на рафтовете. Рафтът може да се сгъне отзад и наличното пространство на долния рафт ще бъде по-голямо. Рафтът може да се сгъне като следват стъпки 1 до 3. Ако искате да се върнете към първоначалното положение, изпълнете следните процедури наобратно.



Стъпка 1: Натиснете бавно предната част на рафта до края.



Стъпка 2: Натиснете бавно рафта нагоре до вертикално положение.



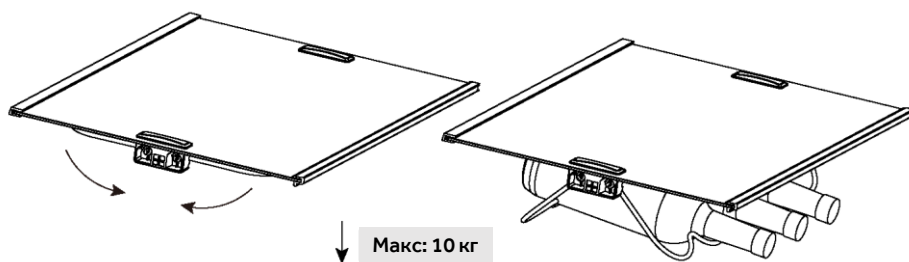
Стъпка 3: Рафтът е вертикален. Спестява място.

Сгъваема поставка за вино

За нормална употреба

1. Издърпайте надолу скобите на поставката за вино
2. Поставете бутилките в поставката

Когато не се използва, поставката за вино може да се сгъне назад, за да спести място.





Съвети за пестене на енергия

- ▶ Уверете се, че уредът е монтиран така, че да е осигурена добра вентилация (вижте раздел „МОНТАЖ“).
- ▶ Не поставяйте уреда на пряка слънчева светлина или в близост до източници на топлина (напр. печки, нагреватели).
- ▶ Избягвайте ненужно ниска температура в уреда. Консумацията на енергия се увеличава, когато зададената температура в уреда намалява.
- ▶ Функции като „SUPER FREEZE“ консумират повече енергия.
- ▶ Оставете топлата храна да се охлади, преди да я поставите в уреда.
- ▶ Отваряйте вратата на уреда възможно най-малко и за кратко.
- ▶ Не препълвайте уреда, за да не се нарушава циркулацията на въздуха.
- ▶ Избягвайте поставянето на хранителни опаковки, в които има въздух.
- ▶ Поддържайте уплътненията на вратата чисти, така че вратата винаги да се затваря добре.
- ▶ Размразете замразена храна в хладилното отделение или използвайте функцията „D-Frost“ в чекмеджето „My Zone“.
- ▶ Най-енергоспестяващата конфигурация изисква чекмеджетата, кутията за храна и рафтовете да бъдат поставени в уреда във възможно най-близко до фабричното състояние, а храната да се поставя по начин, който не блокира изхода на въздуховода.



ПРЕДУПРЕЖДЕНИЕ!

Почистване

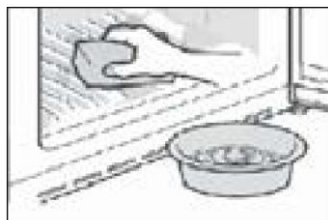
Почиствайте уреда, когато в него се съхранява малко или никаква храна.

Уредът трябва да бъде почистван на всеки четири седмици за добра поддръжка и за предотвратяване на лоши миризми от съхраняваните храни.



ПРЕДУПРЕЖДЕНИЕ!

- ▶ Не почиствайте уреда с твърди четки, телени четки, прахообразни препарати, бензин, амилаетат, ацетон и подобни органични разтвори, киселинни или алкални разтвори. Моля, почиствайте със специален препарат за хладилник, за да избегнете повреди.
- ▶ Не пръскайте и не глискайте уреда по време на почистване.
- ▶ Не използвайте водна струя или пара за почистване на уреда.
- ▶ Не почиствайте студените стъклени рафтове с гореща вода. Рязката промяна в температурата може да причини напукване на стъклото.
- ▶ Не докосвайте вътрешната повърхност на фризерното отделение за съхранение, особено с мокри ръце, тъй като ръцете ви може да замръзнат върху повърхността.
- ▶ В случай на повишаване на температурата проверете състоянието на замразените храни.



- ▶ Винаги поддържайте уплътнението на вратата чисто.
- ▶ Почиствайте вътрешността и корпуса на уреда с гъба, навлажнена с топла, вода и неутрален препарат.
- ▶ 1. Моля, търкайте вътрешната и външната част на хладилника, включително уплътненията на вратата, рафтовете за врата, стъклените рафтове, кутиите и т.н., с мека кърпа или гъба, натопена в топла вода (може да добавите неутрален препарат към топлата вода).
- ▶ 2. Ако има разлята течност, отстранете всички замърсени части, изплакнете директно с течащата вода, подсушете и ги поставете обратно в хладилника.
- ▶ 3. Ако има разлята гъста течност (като сметана или разтопен сладолед), моля, отстранете всички замърсени части, поставете ги за известно време в топла вода с температура около 40°C, след това изплакнете с течаща вода, подсушете и ги поставете обратно в хладилника.
- ▶ 4. В случай че малка част или компонент заседне вътре в хладилника (между рафтовете или чекмеджетата), използвайте малка мека четка, за да го отстраните. Ако не можете да достигнете частта, моля, свържете се с отдела за обслужване на клиенти на Haier.
- ▶ Изплакнете и подсушете с мека кърпа.
- ▶ Не почиствайте никоя от частите на уреда в съдомиялна машина.
- ▶ Изчакайте поне 5 минути, преди да включите отново уреда, тъй като честото стартиране може да повреди компресора.

Размразяване

Размразяването на хладилното и фризерното отделение се извършва автоматично: не е необходимо ръчно управление.



Смяна на LED лампите



ПРЕДУПРЕЖДЕНИЕ!

Не заменяйте LED лампите сами. Те трябва да бъдат заменяни единствено от производителя или от упълномощен сервизен представител.

Лампите използват LED технология, отличаваща се с ниска консумация на енергия и дълъг експлоатационен живот. В случай на аномалии, моля, свържете се с отдела за обслужване на клиенти. Вижте раздел „ОБСЛУЖВАНЕ НА КЛИЕНТИ“.

Параметри на лампите:

Част	LED лампа
Волтаж	12 V
Максимална мощност	1,5 W
LED спецификации	Бяло-2835
LED клас на ефективност	G
Температура на използване	-40~80°C

При липса на употреба за дълъг период от време

Ако уредът не се употребява за продължителен период от време и няма да се използва функцията „Holiday“:

Извадете храната.

Изключете захранващия кабел от контакта.

Почистете уреда, както е описано по-горе.

Оставете вратите отворени, за да се предотврати появата на неприятни миризми вътре.



ЗАБЕЛЕЖКА

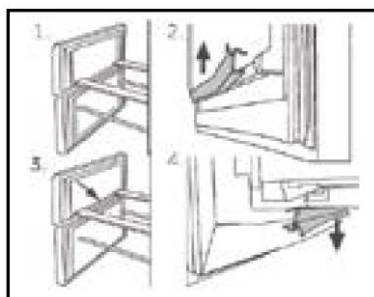
Изключете уреда само ако е абсолютно необходимо.

Свалящи се помощни уплътнения на вратата

Има шест помощни уплътнения на вратата, на горното и на долното чекмеджета на фризера.

1. Намерете петте посочени уплътнения на вратата на горното и на долното чекмеджета на фризера.
2. Уверете се, че огънатите части на уплътненията сочат навътре, докато ги закрепвате.
3. Поставете долното уплътнение на горното чекмедже, както е показано.
4. Уверете се, че огънатата част на това уплътнение сочи надолу, докато го закрепвате.

Получавате тези уплътнения, както и уплътненията за въртящата се врата/ чекмедже чрез отдела за обслужване на клиенти (вижте гаранционната карта).



Преместване на уреда

1. Извадете всичката храна и изключете уреда от контакта.
2. Закрепете всички рафтове и други подвижни част в хладилник и фризера с тиксо.
3. Не наклоняйте хладилника повече от 45°, за да избегнете повреда на охладителната система.



ПРЕДУПРЕЖДЕНИЕ!

- ▶ Не хващайте уреда за дръжките при повдигане.
- ▶ Никога не поставяйте уреда в хоризонтално положение на земята.



Много от възникналите проблеми могат да бъдат решени от Вас самите без нужда от специфични умения. В случай на проблем, моля, проверете всички показани възможности и последвайте инструкциите по-долу, преди да се свържете с отдела за следпродажбено обслужване. Вижте раздел „ОБСЛУЖВАНЕ НА КЛИЕНТИ“.



ПРЕДУПРЕЖДЕНИЕ!

- ▶ Преди извършване на поддръжка изключете уреда и извадете щепсела от контакта.
- ▶ Електрическото оборудване трябва да се обслужва само от квалифицирани експерти, тъй като неправилният ремонт може да причини значителни последващи щети.
- ▶ Повреда в хранящия кабел може да бъде отстранена единствено от производителя, негов обслужващ представител или лице с подобна квалификация, за да се избегне потенциална опасност.

Таблица за отстраняване на неизправности

Проблем	Възможна причина	Възможно решение
Компресорът не работи.	Щепселът не е включен в контакта.	Включете щепсела.
	Уредът е в цикъл на размразяване.	Това е нормално за автоматично размразяване.
Уредът се включва често или работи за прекалено дълги периоди от време.	Вътрешната или външната температура е твърде висока.	В такъв случай е нормално уредът да работи по-дълго.
	Уредът е бил изключен за известно време.	Обикновено са необходими от 8 до 12 часа, за да се охлади уредът напълно.
	Врата/чекмедже на уреда не е затворена/о плътно.	Затворете вратата/чекмеджето и се уверете, че уредът се намира върху равна повърхност, както и че затварянето на вратата не е възпрепятствано от храна или контейнер.
	Вратите/чекмеджетата са били отворяни твърде често или за прекалено дълго време.	Не отваряйте вратата/чекмеджето твърде често.
	Температурата, зададена за фризерното отделение, е твърде ниска.	Задайте по-висока температура, докато се получи задоволителна температура на хладилника. Отнема 24 часа, за да стане температурата на хладилника стабилна.
	Уплътнението на вратата/чекмеджето е замърсено, износено, напукано или разместено.	Почистете уплътненията на вратата/чекмеджето или ги сменете с помощта на отдела за обслужване на клиенти.
	Необходимата циркулация на въздуха е възпрепятствана.	Осигурете подходяща вентилация.



Проблем	Възможна причина	Възможно решение
Във вътрешната част на хладилника има замърсяване и/или лоша миризма.	Вътрешността на хладилника трябва да бъде почистена.	Почистете вътрешността на хладилника.
	В хладилника се съхранява храна със силен мирис.	Опаковайте добре храната.
В уреда не е достатъчно студено.	Зададена е прекалено висока температура.	Върнете първоначалната настройка на температурата
	Прибрана е твърде топла храна.	Винаги оставяйте храните да изстинат, преди да ги приберете.
	Съхранява се прекалено голямо количество храна наведнъж.	Винаги съхранявайте малки количества храна.
	Храните са поставени прекалено близо една до друга.	Оставяйте празно място между артикулите, за може въздухът да циркулира свободно.
	Врата/чекмедже на уреда не е затворена/о плътно.	Затворете вратата/чекмеджето.
	Вратите/чекмеджетата са били отворяни твърде често или за прекалено дълго време.	Не отваряйте вратата/чекмеджето твърде често.
В уреда е твърде студено.	Зададена е прекалено ниска температура.	Върнете първоначалната настройка на температурата.
	Активирана е функцията „Super Freeze“ или работи прекалено дълго време.	Изключете функцията „Super Freeze“
По вътрешността на хладилното отделение се образува конденз.	Климатът е твърде топъл и твърде влажен.	Увеличете температурата.
	Врата/чекмедже на уреда не е затворена/о плътно.	Затворете вратата/чекмеджето.
	Вратите/чекмеджетата са били отворяни твърде често или за прекалено дълго време.	Не отваряйте вратата/чекмеджето твърде често.
	Контейнери, съдържащи течности или харни, са оставени отворени.	Оставете горещите храни да изстинат до стайна температура и покривайте храните и течностите.
По външната повърхност на хладилника или между вратите/вратата и чекмеджето се образува кондензация.	Климатът е твърде топъл и твърде влажен.	Това е нормално при влажен климат и ще се промени, когато влажността намалее.
	Вратата/чекмеджето не е затворена/о плътно.	Уверете се, че вратите/чекмеджетата са затворени плътно.



Проблем	Възможна причина	Възможно решение
Много лед и скреж във фризерното отделение.	Храните не са опаковани добре.	Винаги опаковайте храните добре.
	затворен.	
	Вратите/чекмеджетата са били отворяни твърде често или за прекалено дълго време.	Не отваряйте вратата/чекмеджето твърде често.
	Уплътнението на вратата/чекмеджето е замърсено, износено, напукано или разместено.	Почистете уплътненията на вратата/чекмеджето или ги сменете с нови.
	Нещо от вътрешната страна пречи на вратата/чекмеджето да се затвори добре.	Разместете рафтовете, рафтовете за вратите или вътрешните контейнери, така, че да може вратата/чекмеджето да се затвори.
Уредът издава необичайни звуци.	Уредът не е разположен върху равна повърхност.	Регулирайте крачетата, за да подравните уреда.
	Уредът се допира до близкостоящ предмет.	Отстранете близкостоящите предмети.
Чува се слаб звук, наподобяващ звука от течаща вода.	Това е нормално.	/
Чува се звуков сигнал.	Вратата на хладилника е отворена.	Затворете вратата или заглушете алармата ръчно.
Чува се слабо бръмчене.	Системата против конденз работи.	Това предотвратява конденза и е нормално.
Вътрешната осветителна система или охлаждащата система не работи.	Щепселът не е включен в контакта.	Включете щепсела.
	Има проблем с електрозахранването.	Проверете електрическото захранване на помещението. Свържете се с местната електрическа компания!
	LED лампата е повредена.	Моля, свържете се с центъра за обслужване на клиенти за смяна на лампата.
Страните на шкафа и лентата на вратата се затоплят.	Това е нормално.	/
От крайника на диспенсъра не излиза вода	Заклучването не е деактивирано.	Деактивирайте заключването



Прекъсване на електрозахранването

- ▶ При прекъсване на електрозахранването храната би трябвало да остане студена в продължение на около 13 часа. Следвайте следните съвети по време на продължително прекъсване на електрозахранването, особено през лятото.
- ▶ Не поставяйте друга храна в уреда по време на прекъсването на електрозахранването.
- ▶ Ако е дадено предварително известие за прекъсване на електрозахранването и продължителността на прекъсването надвишава 13 часа, направете малко лед на кубчета и го поставете в съд на горния рафт на хладилното отделение.
- ▶ Необходима е проверка на храните веднага след прекъсването.
- ▶ Тъй като температурата в хладилника ще се повиши по време на прекъсване на захранването или при друга повреда, срокът на годност на храната ще бъде съкратен. Всички храни, които се размразят, трябва или да бъдат изконсумирани, или сготвени и замразени отново в най-кратък срок (ако това е възможно), за да се предотвратят възможни рискове за здравето.



ЗАБЕЛЕЖКА

Функция за запаметяване при прекъсване на електрозахранването

След възстановяване на захранването уредът продължава да работи с настройките, зададени преди спиране на тока.

За да се свържете с отдела за техническа помощ, посетете уебсайта ни:
<https://corporate.haier-europe.com/en/>

В раздела „Уебсайт“ изберете марката на своя продукт и вашата държава. Ще бъдете пренасочени към конкретния уебсайт, където може да намерите телефонния номер и други начини за връзка с отдела за техническа помощ.

Разопаковане



ПРЕДУПРЕЖДЕНИЕ!

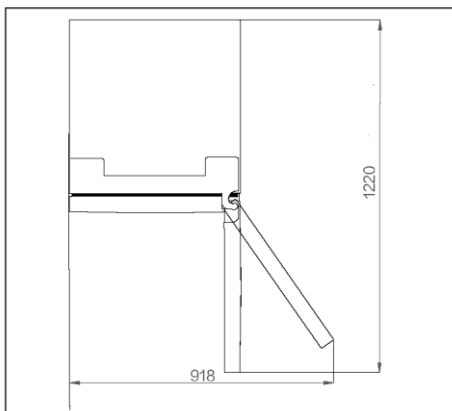
- ▶ Уредът е тежък. При преместването му винаги трябва да участват поне двама души.
- ▶ Пазете всички опаковъчни материали на място, недостъпно за деца, и ги изхвърлете по природосъобразен начин.
- ▶ Разопакувайте уреда.
- ▶ Отстранете всички опаковъчни материали.

Условия на обкръжаващата среда

Температурата в помещението винаги трябва да бъде между 10°C и 43°C, тъй като това може да повлияе на температурата вътре в уреда и консумацията на енергия. Не поставяйте уреда близо до други излъчващи топлина уреди (фурни, хладилници) без изолация.

Препоръки за свободно пространство

Препоръчително свободно пространство при отворена врата.



Подравняване на уреда

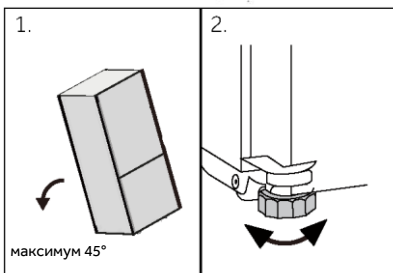
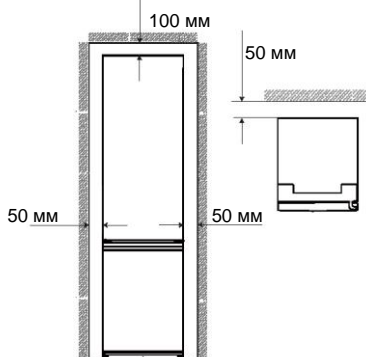
Уредът трябва да бъде поставен на равна и стабилна повърхност.

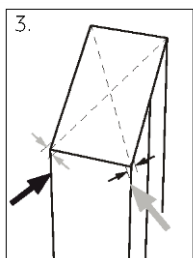
1. Наклонете хладилника леко назад.
2. Нагласете крачетата до желаното ниво.

Уверете се, че разстоянието до стената от страните на пантите е поне 100 мм, за да се отворят свободно вратите.

Вентилационно сечение

От съображения за безопасност препоръчваме да спазвате указанията за свободно пространство, за да гарантирате достатъчна вентилация на уреда.

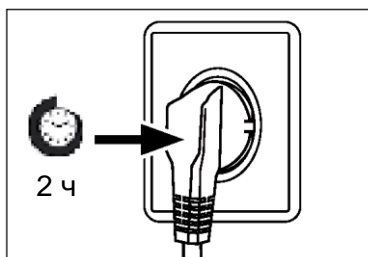




1. Стабилността може да се провери чрез последователно побутване по диагоналите. И в двете посоки трябва да се получава еднакво леко люлеене. В противен случай рамката може да се изкриви, в резултат на което уплътненията на вратата няма да прилепват плътно. Лекият наклон назад улеснява затварянето на вратите.

ЗАБЕЛЕЖКА

За свободно стоящ уред: този хладилник не е предназначен за вграждане.



Време на изчакване

Смазочното масло, което не се нуждае от поддръжка, се намира в капсулата на компресора. Това масло може да се разнесе из затворената система от тръби, докато уредът се пренася в наклонено положение. Преди да свържете уреда към захранването, трябва да изчакате поне 2 часа, за да може маслото да се върне обратно в капсулата.

Свързване към електрозахранването

Преди всяко свързване проверявайте дали:

- ▶ захранването, контактът и предпазителите са подходящи според табелката с данни.
- ▶ електрическият контакт е заземен и няма включен разклонител или удължител.
- ▶ щепселът и контактът са в пълно съответствие.

Свържете щепсела към правилно инсталиран контакт за битова употреба.



ПРЕДУПРЕЖДЕНИЕ!

За да се избегнат рискове, повреден захранващ кабел трябва да се заменя от сервизния отдел (вижте гаранционната карта).



Обръщане на вратите

Преди да свържете уреда към електрозахранването, трябва да проверите дали посоката на отваряне на вратата трябва да се промени от дясна (както е доставен) на лява, ако това се изисква от мястото на монтаж и практичността.

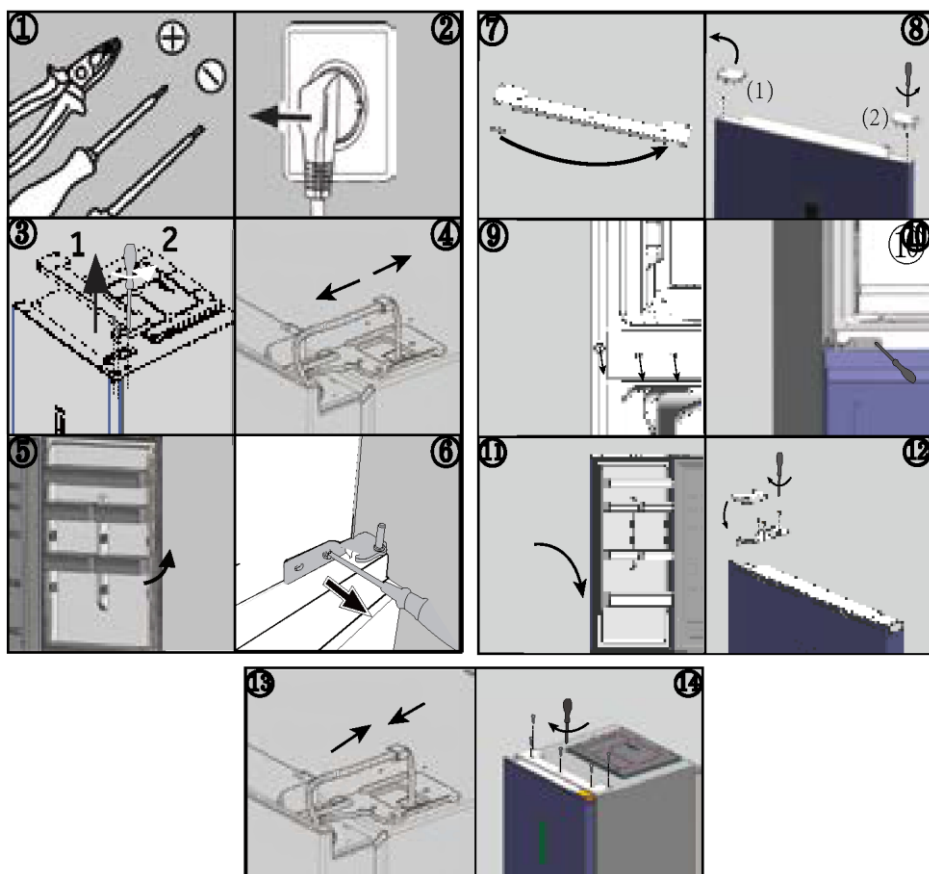


ПРЕДУПРЕЖДЕНИЕ!

- ▶ Уредът е тежък. Необходими са двама души, за да извършите обръщането на вратата.
- ▶ Преди всяка операция, първо изключете уреда от електрическата мрежа
- ▶ Не наклоняйте уреда на повече от 45°, за да предотвратите повреда на хладилната система.

Стъпки за сглобяване

1. Подгответе необходимите инструменти.
 2. Изключете уреда от контакта.
 3. Свалете капака на горната панта 1 и развийте горната панта (три винта) от дясната страна 2.
 4. Изключете свързващия кабел
 5. Повдигнете внимателно разхлабената врата на хладилника от средната панта.
 6. Отстранете средната панта.
 7. Отстранете малкия капак на предния панел от ляво на дясно.
 8. Обърнете вратата с главата надолу и развийте капака (1). Извадете новия капак (2) от чантата с принадлежности и го завийте на срещуположната страна.
 9. Променете позициите на глухите тапи и на винта отстрани.
 10. Завийте средната панта към лявата страна на уреда. Не забравяйте да обърнете шарнира на средната панта, като се уверите, че страната с уплътнението е обърната нагоре
 11. Повдигнете внимателно горната врата на средната панта. И се уверете, че шарнирът пасва в отвора на пантата на долната врата.
 12. Извадете новата горна панта и капака на пантата от чантата с принадлежности. Прекарайте свързващия кабел през горната панта и фиксирайте горната панта с три винта от лявата страна на уреда. Поставете капака на пантата върху пантата.
 13. Включете свързващия кабел.
 14. Сменете предния панел и го фиксирайте с пет винта.
- След смяната на вратата проверете дали уплътненията на вратата са разположени правилно върху корпуса и дали всички винтове са добре затегнати.



Температура на околната среда

Разширен умерен климат: „този хладилен уред е предназначен за използване при температура на околната среда в диапазона от 10°C до 32°C“;

Умерен климат: „този хладилен уред е предназначен за използване при температура на околната среда в диапазона от 16°C до 32°C“;

Субтропичен климат: „този хладилен уред е предназначен за използване при температура на околната среда в диапазона от 16°C до 38°C“;

Тропичен климат: „този хладилен уред е предназначен за използване при температура на околната среда в диапазона от 16°C до 43°C“;



Параметри на продукта съгласно регламент (ЕС) 2019/2016

Въз основа на стандартните резултати от теста за 24 часа. Реалното потребление на енергия ще зависи от начина на използване на уреда и неговото местоположение.

Модел	HTW5618DN*	HTW5620DN*	HTW5618EN*
Тип хладилен уред	Хладилник с фризер	Хладилник с фризер	Хладилник с фризер
Клас на енергийна ефективност	D	D	E
Годишно потребление на енергия (kWh/година)	217	226	271
Обем на хладилното отделение (л)	201	255	201
Обем на фризерното отделение (л)	125	125	125
Обем на охлаждащото отделение (л)	34	34	34
Клас на замразяване	4 звезди	4 звезди	4 звезди
Тип размразяване	Автоматично размразяване	Автоматично размразяване	Автоматично размразяване
Време на покачване на температурата (ч)	13	13	11
Капацитет на замразяване (кг/24 ч)	10.0	10.0	10.0
Климатичен клас	SN.N.ST.T	SN.N.ST.T	SN.N.ST.T
Клас на шумовите емисии и излъчваните във въздуха шумови емисии (dB(A) re 1pW)	B(35)	B(35)	B(35)



Модел	HTW5618CN*	HTW5620CN*	HTW5620EN*
Тип хладилен уред	Хладилник с фризер	Хладилник с фризер	Хладилник с фризер
Клас на енергийна ефективност	C	C	E
Годишно потребление на енергия (kWh/година)	173	181	283
Обем на хладилното отделение (л)	201	255	255
Обем на фризерното отделение (л)	125	125	125
Обем на охлаждащото отделение (л)	34	34	34
Клас на замразяване	4 звезди	4 звезди	4 звезди
Тип размразяване	Автоматично размразяване	Автоматично размразяване	Автоматично размразяване
Време на покачване на температурата (ч)	13	13	11
Капацитет на замразяване (кг/24 ч)	10.0	10.0	10.0
Климатичен клас	SN.N.ST.T	SN.N.ST.T	SN.N.ST.T
Клас на шумовите емисии и излъчваните във въздуха шумови емисии (dB(A) re 1pW)	B(35)	B(35)	B(35)



Модел	HDPW5618DN*	HDPW5620DN*	HDPW3620DN*
Тип хладилен уред	Хладилник с фризер	Хладилник с фризер	Хладилник с фризер
Клас на енергийна ефективност	D	D	D
Годишно потребление на енергия (kWh/година)	214	220	220
Обем на хладилното отделение (л)	201	255	255
Обем на фризерното отделение (л)	117	117	117
Обем на охлаждащото отделение (л)	34	34	34
Клас на замразяване	4 звезди	4 звезди	4 звезди
Тип размразяване	Автоматично размразяване	Автоматично размразяване	Автоматично размразяване
Време на покачване на температурата (ч)	13	13	13
Капацитет на замразяване (кг/24 ч)	10.0	10.0	10.0
Климатичен клас	SN.N.ST.T	SN.N.ST.T	SN.N.ST.T
Клас на шумовите емисии и излъчваните във въздуха шумови емисии (dB(A) re 1pW)	B(35)	B(35)	B(35)



Модел	HDPW3618DN*	HDPW5620CN*	HTW3620DN*
Тип хладилен уред	Хладилник с фризер	Хладилник с фризер	Хладилник с фризер
Клас на енергийна ефективност	D	C	D
Годишно потребление на енергия (kWh/година)	214	176	226
Обем на хладилното отделение (л)	201	255	255
Обем на фризерното отделение (л)	117	117	125
Обем на охлаждащото отделение (л)	34	34	34
Клас на замразяване	4 звезди	4 звезди	4 звезди
Тип размразяване	Автоматично размразяване	Автоматично размразяване	Автоматично размразяване
Време на покачване на температурата (ч)	13	13	13
Капацитет на замразяване (кг/24 ч)	10.0	10.0	10.0
Климатичен клас	SN.N.ST.T	SN.N.ST.T	SN.N.ST.T
Клас на шумовите емисии и излъчваните във въздуха шумови емисии (dB(A) re 1pW)	B(35)	B(35)	B(35)



Модел	HDPW5618CN*	HDPW5620CN*	HDPW5620AN*
Тип хладилен уред	Хладилник с фризер	Хладилник с фризер	Хладилник с фризер
Клас на енергийна ефективност	C	C	A
Годишно потребление на енергия (kWh/година)	171	176	114
Обем на хладилното отделение (л)	201	255	255
Обем на фризерното отделение (л)	117	117	120
Обем на охлаждащото отделение (л)	34	34	34
Клас на замразяване	4 звезди	4 звезди	4 звезди
Тип размразяване	Автоматично размразяване	Автоматично размразяване	Автоматично размразяване
Време на покачване на температурата (ч)	13	13	16
Капацитет на замразяване (кг/24 ч)	10,0	10,0	10,0
Климатичен клас	SN.N.ST.T	SN.N.ST.T	SN.N.ST.T
Клас на шумовите емисии и излъчваните във въздуха шумови емисии (db(A) re 1pW)	B(35)	B(35)	B(35)



Допълнителни технически данни

Модел	HTW5618DN*	HTW5618EN*	HTW5620DN*
Общ обем (л)	360	360	414
Напрежение/ Честота	220~240V/50Hz	220~240V/50Hz	220~240V/50Hz
Входящ ток (А)	1,4	1,4	1,4
Главен предпазител (А)	16	16	16
Хладилен агент	R600a (53 г)	R600a (53 г)	R600a (53 г)
Размери (Ш/Д/В в мм)	595*667*1850	595*667*1850	595*667*2050

Модел	HTW5618CN*	HTW5620CN*	HTW5620EN*
Общ обем (л)	360	414	414
Напрежение/ Честота	220~240V/50Hz	220~240V/50Hz	220~240V/50Hz
Входящ ток (А)	1.4	1.4	1.4
Главен предпазител (А)	15	15	16
Хладилен агент	R600a(50g)	R600a(50g)	R600a(53g)
Размери (Ш/Д/В в мм)	595*667*1850	595*667*2050	595*667*2050



Модел	HDPW5618DN*	HDPW5620DN*	HDPW3620DN*
Общ обем (л)	352	406	406
Напрежение/ Честота	220~240V/50Hz	220~240V/50Hz	220~240V/50Hz
Входящ ток (А)	1.4	1.4	1.4
Главен предпазител (А)	16	16	16
Хладилен агент	R600a(53g)	R600a(53g)	R600a(53g)
Размери (Ш/Д/В в мм)	595*667*1850	595*667*2050	595*667*2050

Модел	HDPW5618CN*	HDPW5620CN*	HDPW5620AN*
Общ обем (л)	352	406	409
Напрежение/ Честота	220~240V/50Hz	220~240V/50Hz	220~240V/50Hz
Входящ ток (А)	1,4	1,4	1,4
Главен предпазител (А)	15	15	15
Хладилен агент	R600a (50 r)	R600a (50 r)	R600a (50 r)
Размери (Ш/Д/В в мм)	595*667*1850	595*667*2050	595*667*2050



Модел	HDPW5618CN*	HDPW5620CN*	HDPW5620AN*
Общ обем (л)	352	406	409
Напрежение/ Честота	220~240V/50Hz	220~240V/50Hz	220~240V/50Hz
Входящ ток (А)	1.4	1.4	1.4
Главен предпазител (А)	15	15	16
Хладилен агент	R600a(50g)	R600a(50g)	R600a(50g)
Размери (Ш/Д/В в мм)	595*667*1850	595*667*2050	595*667*2050



Препоръчваме да се консултирате с отдела по обслужване на клиенти на Haier и да използвате оригинални резервни части.

Ако имате проблем с Вашия уред, първо проверете раздела „ОТСТРАНЯВАНЕ НА НЕИЗПРАВНОСТИ“.

Ако не успеете да намерите решение там, моля, обърнете се към

- ▶ Вашия местен търговец или
- ▶ нашия Европейски център за обслужване на клиенти по телефона (вижте телефонните номера по-долу) или
- ▶ раздела „Обслужване и поддръжката“ на адрес www.haier.com, където можете да направите
- ▶ заявка за обслужване, както и да намерите често задавани въпроси.

За да се свържете с нашия отдел за обслужване на клиенти, се уверете, че разполагате със следните данни.

Информацията може да бъде намерена на табелката с данни.

Модел _____

Сериен № _____

Също така проверете предоставената с продукта гаранционна карта, в случай, че е предоставена гаранция.

Европейски център за обслужване на клиенти по телефона		
Държава*	Телефонен номер	Цена
Haier Italy (IT)	199 100 912	
Haier Spain (ES)	902 509 123	
Haier Germany (DE)	0180 5 39 39 99	<ul style="list-style-type: none"> • 14 цента/мин стационарен • макс. 42 цента/мин мобилен
Haier Austria (AT)	0820 001 205	<ul style="list-style-type: none"> • 14,53 цента/мин стационарен • макс. 20 цента/мин всички останали
Haier United Kingdom (UK)	0333 003 8122	
Haier France (FR)	0980 406 409	



* За други държави, вижте www.haier.com

Haier Europe Trading S.r.l

Branch UK

Westgate House, Westgate, Ealing

London, W5 1YY

* Продължителност на гаранцията на хладилния уред:

Минималната гаранция е: 2 години за държавите от ЕС, 3 години за Турция, 1 година за Великобритания, 1 година за Русия, 3 години за Швеция, 2 години за Сърбия, 5 години за Норвегия, 1 година за Мароко, 6 месеца за Алжир, за Тунис не се изисква правна гаранция.

* Период на наличие на резервни части за ремонт на уреда:

Термостати, температурни сензори, платки и светлинни източници се предлагат за минимален период от седем години след излизане на последния уред от модела на пазара.

Дръжки за врати, панти за врати, тави и кошници се предлагат за минимален период от седем години, а уплътнения за врати за минимален период от 10 години след излизане на последния уред от модела на пазара.

* За допълнителна информация относно продукта, моля, вижте <https://eprel.ec.europa.eu/> или сканирайте QR кода на енергийния етикет, предоставен с уреда.



Haier

2023 г. Версия А



0060534356

<u>5 Varnostne informacije</u>	<u>Pred prvo uporabo</u>	6
	<u>Namestitev</u>	6
	<u>Vsakodnevna uporaba</u>	7
<u>10 Predvidena uporaba</u>		
<u>11 Opis izdelka</u>		
<u>15 Nadzorna plošča</u>		
<u>16 Uporaba</u>	<u>Prilagoditev temperature hladilnika</u>	17
	<u>Prilagoditev temperature zamrzovalnika</u>	17
	<u>Prilagoditev temperature My Zone</u>	17
	<u>Funkcija Super-Cool</u>	18
	<u>Funkcija Super-Frz</u>	19
<u>24 Oprema</u>		
<u>28 Namigi za varčevanje z električno energijo</u>		
<u>29 Nega in čiščenje</u>		
<u>32 Odpravljanje težav</u>		
<u>36 Namestitev</u>		
<u>40 Tehnični podatki</u>		
<u>46 Služba za pomoč strankam</u>		



Kliknite na vsebino, da si ogledate podrobne informacije.

Zahvaljujemo se vam za nakup izdelka Haier.

Pred uporabo aparata skrbno preberite ta navodila. Navodila vsebujejo pomembne informacije, ki vam bodo pomagale čim boljše izkoristiti aparat ter zagotoviti varno in pravilno namestitvev, uporabo in vzdrževanje.

Ta priročnik hranite na priročnem mestu, da je vedno na dosegu roke za varno in pravilno uporabo aparata.

Če aparat prodate, ga podarite ali pustite za sabo, ko se selite, poskrbite, da boste ta priročnik predali novemu lastniku, da se bo lahko seznanil z aparatom in varnostnimi opozorili.

Dodatki

Preverite dodatke in literaturo v skladu s tem seznamom:





OPOZORILO – Pomembne varnostne informacije



OBVESTILO – Splošne informacije in nasveti



Okoljske informacije

Odstranjevanje



Pomagajte varovati okolje in zdravje ljudi. Embalažo odložite v ustrezne zbiralnike za recikliranje. Pomagajte pri recikliranju električnih in elektronskih odpadnih naprav. Aparatov, označenih s tem simbolom, ne odlagajte med gospodinjske odpadke. Vrnite izdelek vašemu lokalnemu obratu za recikliranje ali se obrnite na občinski urad.



OPOZORILO!

Nevarnost telesnih poškodb ali zadužitve!

Hladilna sredstva in pline je treba odstraniti profesionalno. Prepričajte se, da cevi hladilnega tokokroga niso poškodovane, preden jih ustrezno zavržete. Aparat odklopite z napajanja. Odslužnemu aparatu odrežite električni kabel in ga zavržite. Odstranite pladnje in predale ter zatič in tesnila vrat, da preprečite zapiranje otrok in hišnih ljubljencev v aparat.



Pred prvim vklopom aparata preberite naslednje varnostne nasvete!:



OPOZORILO!

Pred prvo uporabo

- ▶ Prepričajte se, da med prevozom ni prišlo do poškodb.
- ▶ Odstranite vso embalažo in shranjujte izven dosega otrok.
- ▶ Pred namestitvijo aparata počakajte vsaj dve uri, da zagotovite polno učinkovitost hladilnega krogotoka.
- ▶ Aparat naj prenašata vsaj dve osebi, ker je težek.

Namestitev

- ▶ Aparat naj bo postavljen v dobro prezračevan prostor. Poskrbite, da bo nad aparatom in okoli njega vsaj 10 cm prostora.
- ▶ Aparata nikoli ne postavljajte na vlažno mesto ali mesto, kjer bi lahko po njem brizgala voda. Očistite in pobrišite vodne kapljice in madeže z mehko čisto krpo.
- ▶ Aparata ne postavljajte neposredno na sonce ali blizu virov toplote (npr. Štedilnikov, grelcev).
- ▶ Aparat namestite na mestu, ki je primerno njegovi velikosti in namenu.
- ▶ Poskrbite, da bodo prezračevalne odprtine aparata ali vgradnih elementov proste in neovirane.
- ▶ Prepričajte se, da se podatki o električnem toku na ploščici s tehničnimi navedbami ujemajo z napajanjem. V nasprotnem primeru se obrnite na električarja.
- ▶ Aparat deluje z izmeničnim napajanjem 220–240 VAC/50 Hz. Nenormalno nihanje napetosti lahko povzroči, da se aparat ne zažene, poškoduje regulator temperature ali kompresor ali pa se med delovanjem pojavi nenavaden hrup. V tem primeru se namesti samodejni regulator.
- ▶ Ne uporabljajte adapterjev z več vtiči in podaljškov.
- ▶ Prenosnih vtičnic ali prenosnega električnega napajanja ne postavljajte za aparat.
- ▶ Prepričajte se, da se napajalni kabel ni zataknil pod hladilnikom. Ne stopajte na napajalni kabel.



OPOZORILO!

- ▶ Uporabite ločeno ozemljeno vtičnico za napajanje, ki je lahko dostopna. Aparat mora biti ustrezno ozemljen.

Samo za Združeno kraljestvo: Napajalni kabel aparata je opremljen s 3-žilnim (ozemljitvenim) vtičem, ki ustreza standardni 3-žilni (ozemljeni) vtičnici. Nikoli ne odrežite in ne odstranjujte tretjega zatiča (ozemljitev). Po namestitvi aparata mora biti vtič dostopen.

- ▶ Ne poškodujte hladilne napeljave.

Vsakodnevna uporaba

- ▶ Ta aparat lahko uporabljajo otroci, starejši od 8 let, ter osebe z zmanjšanimi fizičnimi, senzoričnimi ali umskimi zmožnostmi ali s pomanjkanjem izkušenj in znanja, pod ustreznim nadzorom, ali če imajo navodila za varno uporabo aparata ter če razumejo s tem povezana tveganja.
- ▶ Otrokom, starim od 3 do 8 let, je dovoljeno polnjenje in praznjenje, vendar jim ni dovoljeno čiščenje in nameščanje hladilnih aparatov.
- ▶ Otroci, mlajši od 3 let, naj se zadržujejo stran od aparata, razen če so pod stalnim nadzorom.
- ▶ Otroci naj se z aparatom ne igrajo.
- ▶ Če v bližini aparata pušča hladilni plin ali drug vnetljiv plin, izklopite ventil uhajajočega plina, odprite vrata in okna ter ne odklopite napajalnega kabla hladilnika ali drugega aparata.
- ▶ Upoštevajte, da je aparat nastavljen za delovanje v določenem območju temperature okolja med 10 in 43 °C. Aparat morda ne bo deloval pravilno, če je dlje časa izpostavljen temperaturi, ki je višja ali nižja od navedene.
- ▶ Na hladilnik ne postavljajte nestabilnih predmetov (težkih predmetov, posod, napolnjenih z vodo), da se izognete poškodbam zaradi padca ali električnega udara zaradi stika z vodo.
- ▶ Ne vlecite vratnih polic. Vrata se lahko potegnejo poševno, stojalo za steklenice se lahko izvleče ali pa se aparat prevrne.
- ▶ Vrata odpirajte in zapirajte samo z ročaji. Razmik med vrati ter vrati in omaro je zelo ozek. Ne segajte z rokami v te predele, da se izognete priprtju prstov. Vrata hladilnika odprite ali zaprite le, če v območju premikanja vrat ni otrok.



OPOZORILO!

- ▶ Ne shranjujte ali uporabljajte vnetljivih, eksplozivnih ali jedkih snovi v aparatu ali njegovi bližini.
- ▶ V aparatu ne shranjujte zdravil, bakterij ali kemičnih snovi. Ta aparat je gospodinjski aparat, zato ni priporočljivo hraniti materialov, ki zahtevajo strogo določene temperature.
- ▶ V zamrzovalniku nikoli ne shranjujte tekočin v steklenicah ali pločevinkah (razen močnih žganih pijač), zlasti gaziranih pijač, saj jih bo med zamrzovanjem razneslo.
- ▶ Preverite stanje hrane, če je prišlo do segrevanja v zamrzovalniku.
- ▶ Ne nastavite nepotrebno nizke temperature v predelu hladilnika. Pri visokih nastavitvah lahko pride do temperatur pod ničlo. Pozor: Steklenice lahko počijo
- ▶ Zamrznjenih živil se ne dotikajte z mokrimi rokami (uporabite rokavice). Še posebej ne jejte ledenk takoj, ko jih vzamete iz zamrzovalnika. Obstaja tveganje za zamrznitev ali nastanek mehurjev zaradi zmrzali. PRVA pomoč: takoj postavite pod tekočo mrzlo vodo. Ne vlecite proč!
- ▶ Med delovanjem se ne dotikajte notranjosti zamrzovalnega dela, zlasti z mokrimi rokami, saj lahko vaše roke primrznejo na površino.
- ▶ V primeru prekinitve napajanja ali pred čiščenjem aparat izklopite. Pred ponovnim zagonom aparata počakajte vsaj 7 minut, saj lahko pogosto zaganjanje poškoduje kompresor.
- ▶ Ne uporabljajte električnih naprav v predalih za shranjevanje živil v aparatu, razen če njihovo uporabo priporoča proizvajalec. Vzdrževanje/čiščenje
- ▶ Poskrbite, da bodo otroci pod nadzorom, če bodo opravljali čiščenje in vzdrževanje.
- ▶ Pred vsakim rednim vzdrževanjem aparat odklopite iz električnega napajanja. Pred ponovnim zagonom aparata počakajte vsaj 5 minut, saj lahko pogosto zaganjanje poškoduje kompresor.



OPOZORILO!

- ▶ Pri izklopu aparata primite vtič kabla, ne vlecite kabla.
- ▶ Aparata ne čistite s trdimi ščetkami, žičnimi krtačami, detergentom v prahu, bencinom, amil acetatom, acetonom in podobnimi organskimi raztopinami, kislimi ali alkalnimi raztopinami. Čistite ga s posebnim detergentom za hladilnik, da se izognete poškodbam.
- ▶ Zmrzali in ledu ne strgajte z ostrimi predmeti. Ne uporabljajte razpršil in električnih grelnikov, kot so grelnik, sušilec za lase, parni čistilniki ali drugi viri toplote, da se izognete poškodbam plastičnih delov.
- ▶ Ne uporabljajte mehanskih sredstev za pospešitev odmrzovanja oziroma sredstev, ki jih ne priporoča proizvajalec.
- ▶ Če je priključni kabel poškodovan, morate preprečiti morebitna tveganja, zato ga sme nadomestiti samo proizvajalec, njegov servisni agent ali drug kvalificiran servisler.
- ▶ Aparata ne poskušajte popravljati, razstavljati ali spreminjati sami. V primeru popravila se obrnite na našo službo za stranke.
- ▶ Vsaj enkrat letno odstranite prah na hrbtni strani enote, da se izognete nevarnosti požara in povečani porabi energije.
- ▶ Med čiščenjem aparata ne škropite ali spirajte.
- ▶ Aparata ne čistite s pršenjem vode ali paro.
- ▶ Hladnih steklenih polic ne čistite z vročo vodo. Zaradi nenadne spremembe temperature se lahko steklo zlomi.

Informacije o hladilnih plinih



OPOZORILO!

Aparat vsebuje vnetljivo hladilno sredstvo IZOBUTAN (R600a). Prepričajte se, da hladilni tokokrog med transportom ali namestitvijo ni poškodovan. Puščanje hladilnega sredstva lahko povzroči poškodbe oči ali pa se sredstvo vname. Če je prišlo do poškodbe, aparatu ne približujte odprtih virov ognja, temeljito prezračite prostor, ne priključujte ali odklapljajte napajalnih kablov aparata ali katere koli druge naprave. Obvestite službo za pomoč strankam.

Če oči pridejo v stik s hladilnim sredstvom, jih takoj sperite pod tekočo vodo in pokličite očesnega specialista.



Predvidena uporaba

Ta aparat je namenjen hlajenju in zamrzovanju hrane. Zasnovan je bil izključno za uporabo v gospodinjstvih in prostorih, kot so kuhinjski prostori za osebje v trgovinah, pisarne in druga delovna okolja; na kmetijah in za uporabo strank v hotelih, motelih in drugih bivalnih objektih ter v prenočitvenih in gostinskih dejavnostih. Ni primeren za komercialno ali industrijsko uporabo.

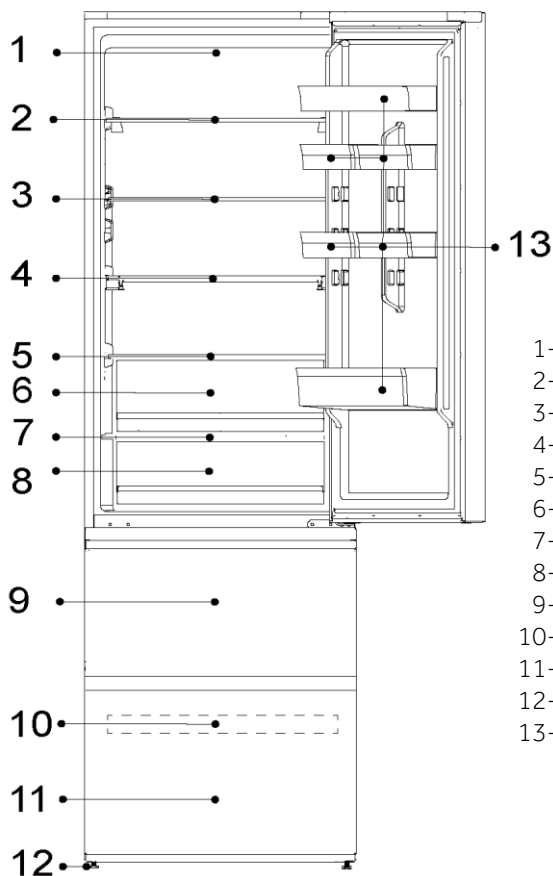
Spreminjanje aparata je prepovedano. Nenamenska uporaba lahko povzroči nevarnosti in izgubo garancijskih zahtevkov.

Standardi in direktive **CE**

Ta izdelek izpolnjuje zahteve vseh veljavnih direktiv ES z ustreznimi usklajenimi standardi, ki določajo oznako CE.

OBVESTILO

Zaradi tehničnih sprememb in različnih modelov se lahko nekatere ilustracije v tem priročniku razlikujejo od zadevnega modela.
(HTW5620EN*, HTW5620DN*, HTW5620CN*)

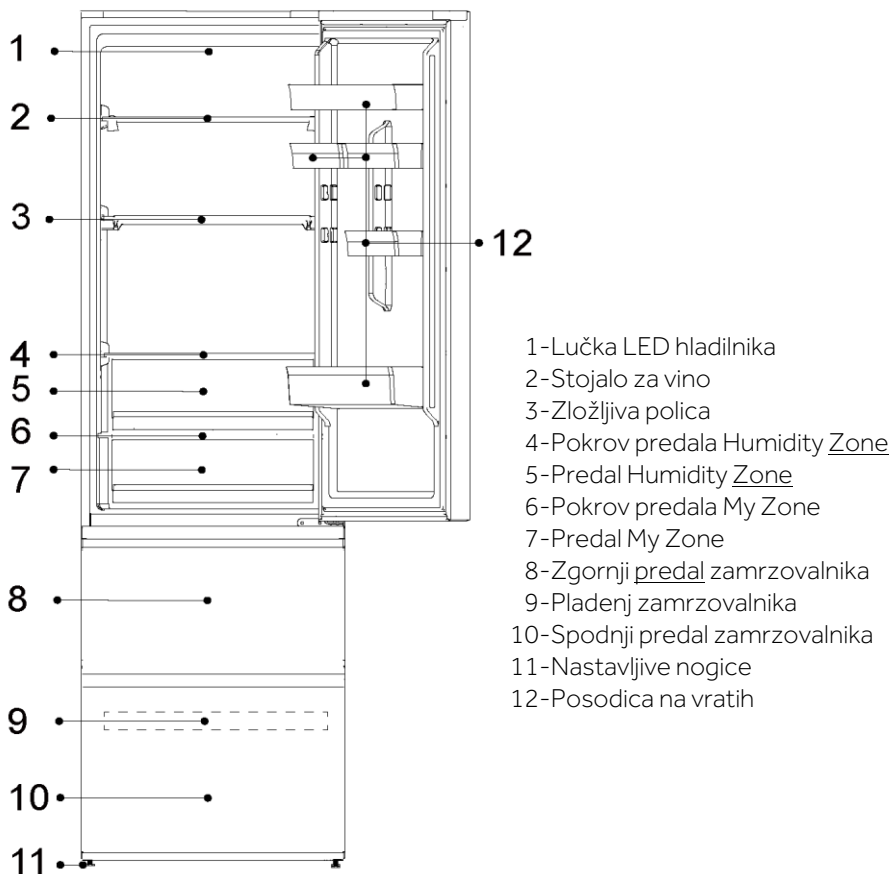


- 1-Lučka LED hladilnika
- 2-Stojalo za vino
- 3-Steklena polica
- 4-Zložljiva polica
- 5-Pokrov predala Humidity Zone
- 6-Predal Humidity Zone
- 7-Pokrov predala My Zone
- 8-Predal My Zone
- 9-Zgornji predal zamrzovalnika
- 10-Pladenj zamrzovalnika
- 11-Spodnji predal zamrzovalnika
- 12-Nastavljive nogice
- 13-Posodica na vratih

OBVESTILO

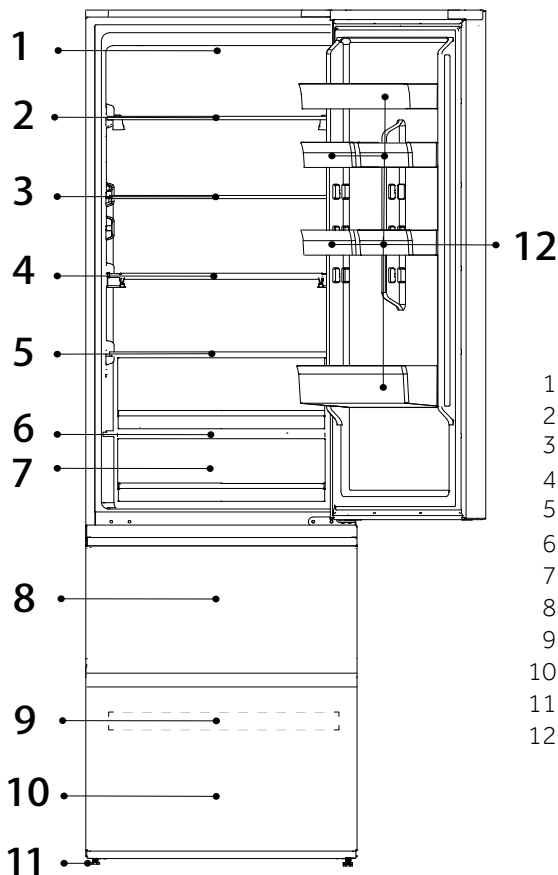
Zaradi tehničnih sprememb in različnih modelov se lahko nekatere ilustracije v tem priročniku razlikujejo od zadevnega modela.

(HTW5618DN*, HTW5618CN*, HTW5618EN*)



i OBVESTILO

Zaradi tehničnih sprememb in različnih modelov se lahko nekatere ilustracije v tem priročniku razlikujejo od zadevnega modela.
(HTW3620EN*, HTW3620DN*, HTW3620CN*)

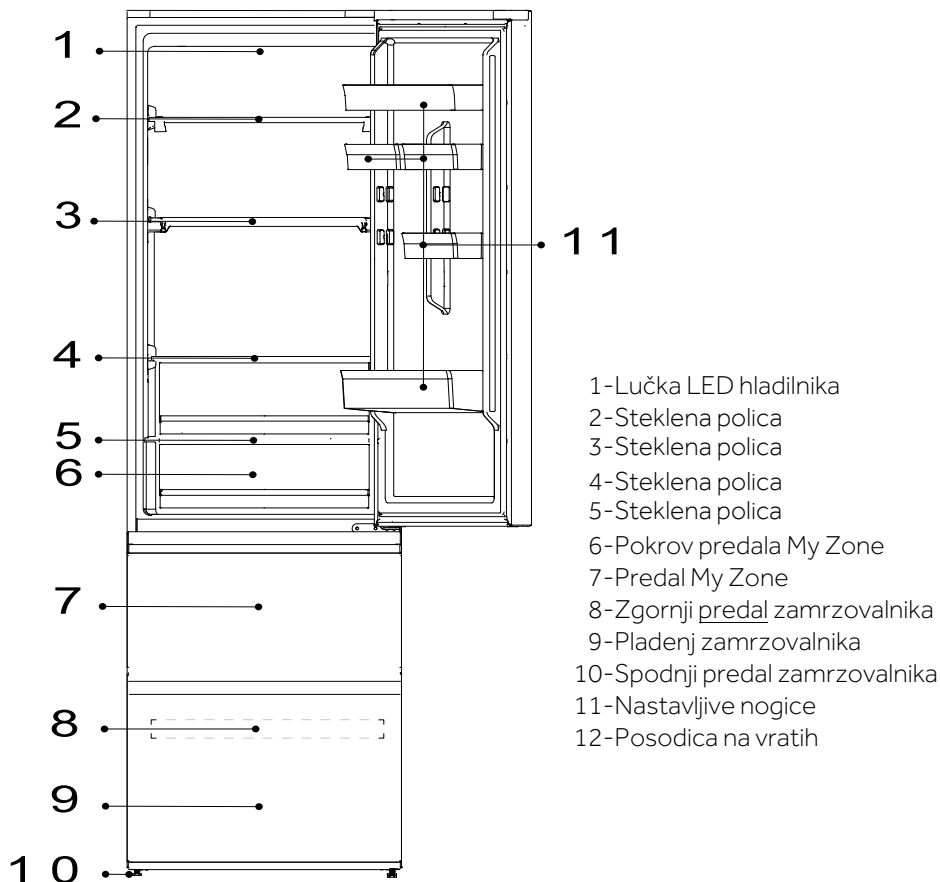


- 1-Lučka LED hladilnika
- 2-Steklena polica
- 3-Steklena polica
- 4-Steklena polica
- 5-Steklena polica
- 6-Pokrov predala My Zone
- 7-Predal My Zone
- 8-Zgornji predal zamrzovalnika
- 9-Pladenj zamrzovalnika
- 10-Spodnji predal zamrzovalnika
- 11-Nastavljive nogice
- 12-Posodica na vratih

OBVESTILO

Zaradi tehničnih sprememb in različnih modelov se lahko nekatere ilustracije v tem priročniku razlikujejo od zadevnega modela.

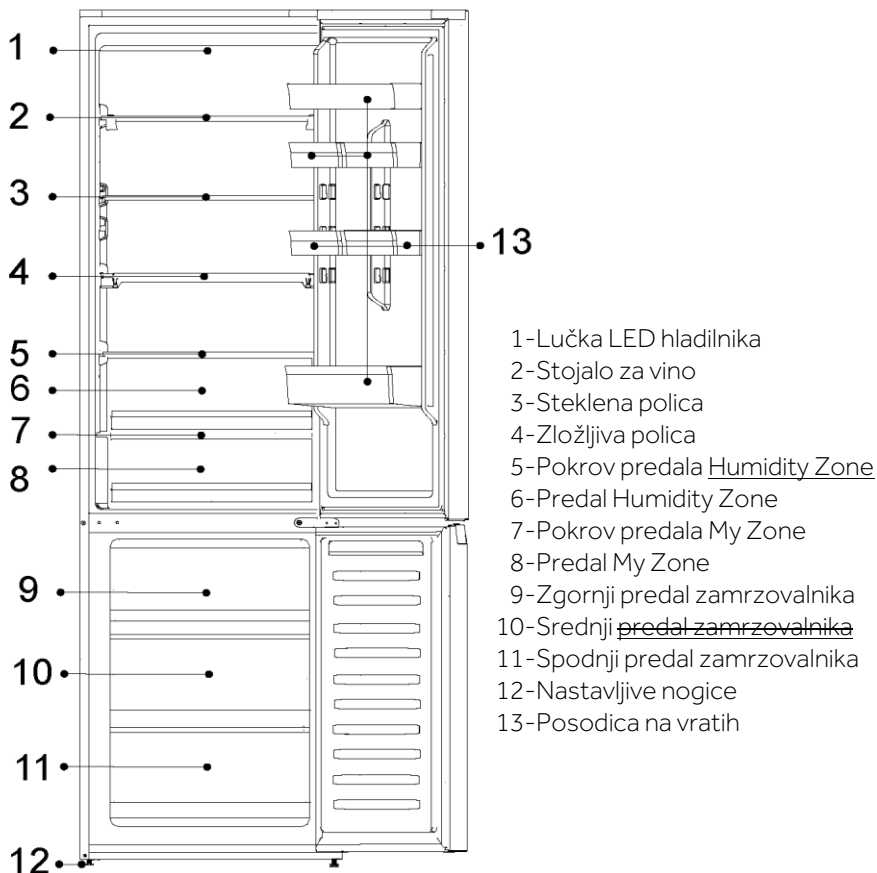
(HTW3618EN*, HTW3618DN*, HTW3618CN*)



OBVESTILO

Zaradi tehničnih sprememb in različnih modelov se lahko nekatere ilustracije v tem priročniku razlikujejo od zadevnega modela.

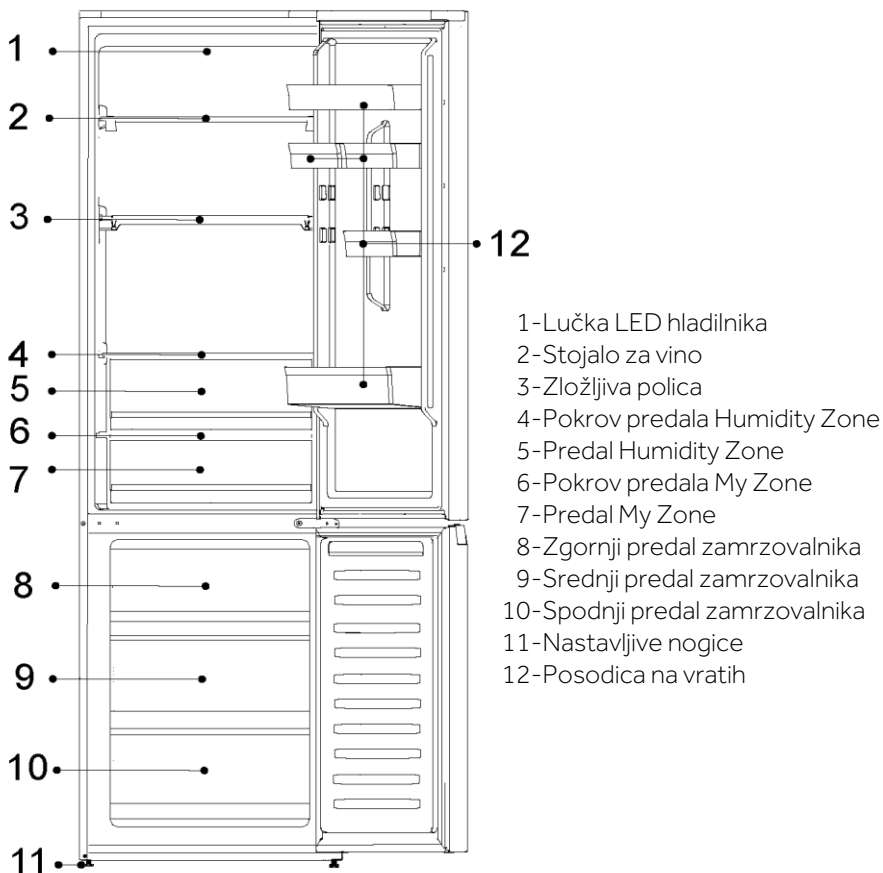
(HDPW5620DN*, HDPW5620CN*, HDPW5620BN*, HDPW5620AN*)



OBVESTILO

Zaradi tehničnih sprememb in različnih modelov se lahko nekatere ilustracije v tem priročniku razlikujejo od zadevnega modela.

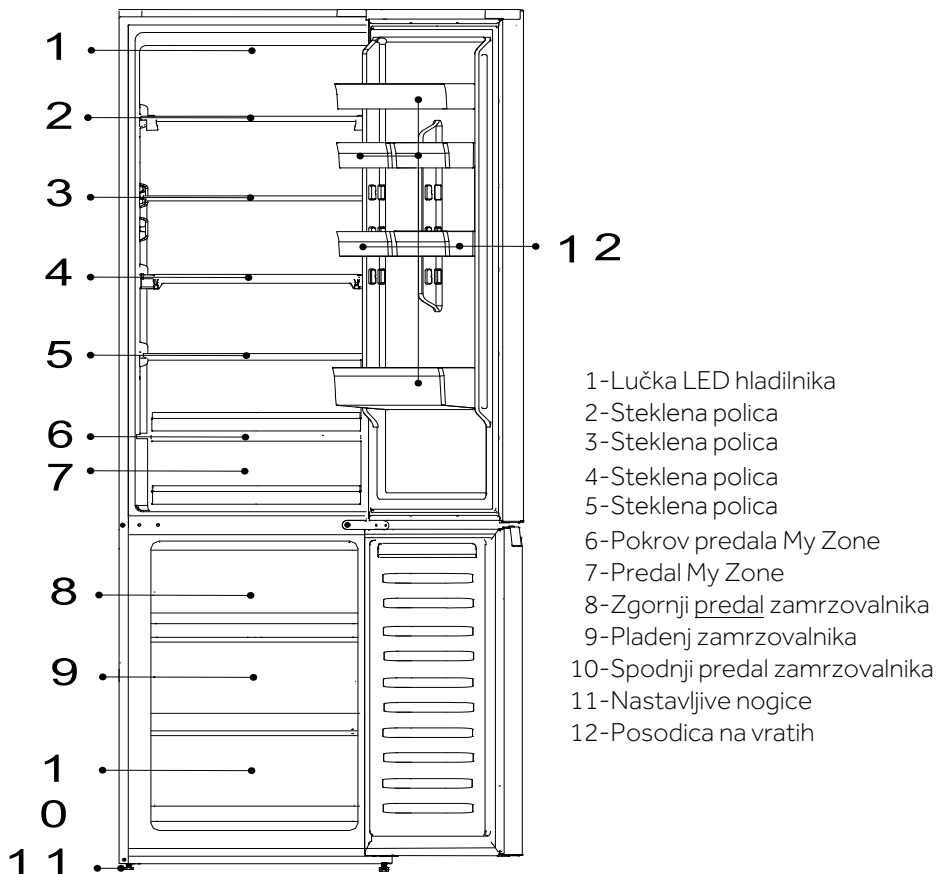
(HDPW5618DN*, HDPW5618CN*)





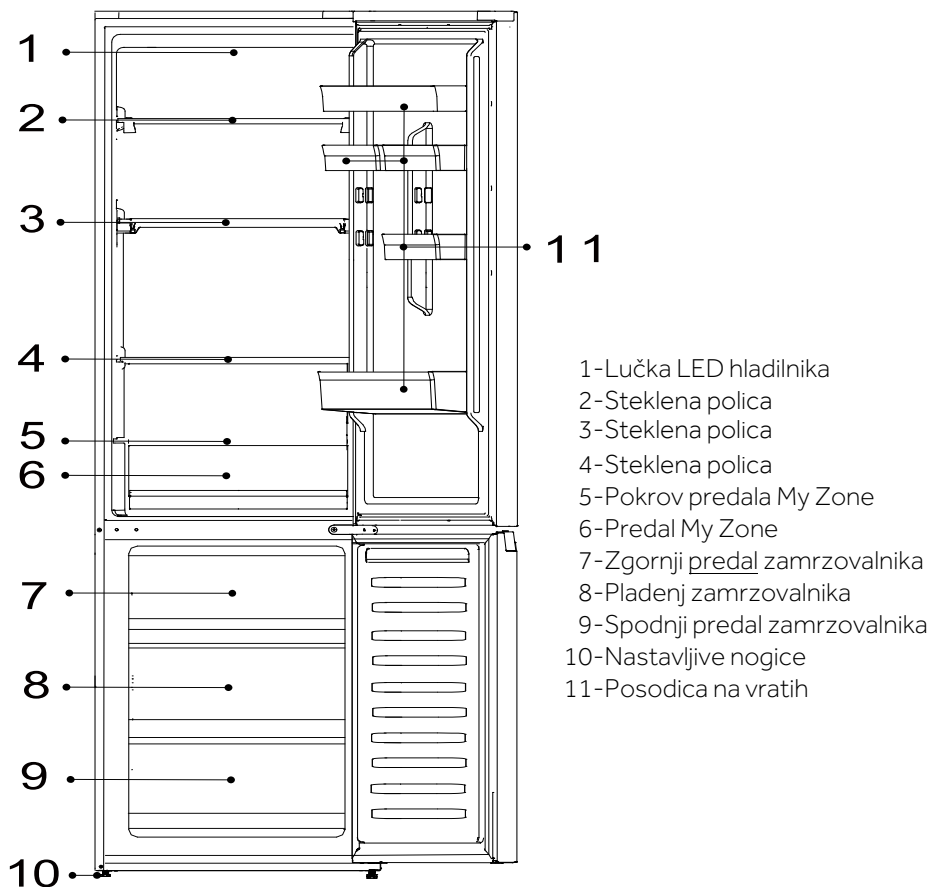
i OBVESTILO

Zaradi tehničnih sprememb in različnih modelov se lahko nekatere ilustracije v tem priročniku razlikujejo od zadevnega modela.
(HDPW3620DN*, HDPW3620CN*)

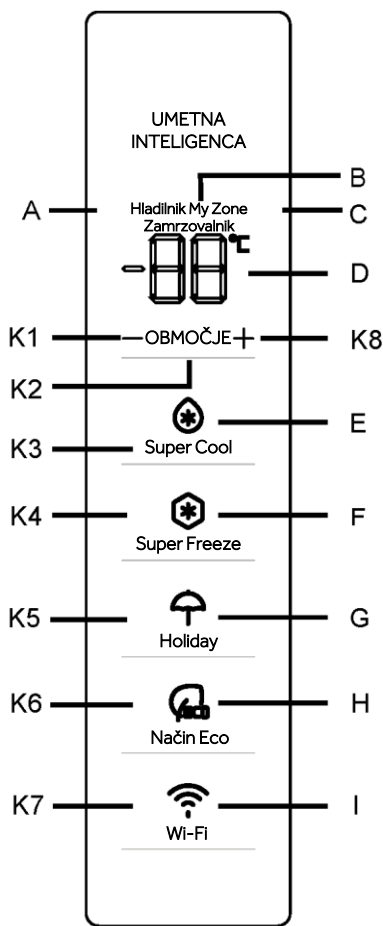


i OBVESTILO

Zaradi tehničnih sprememb in različnih modelov se lahko nekatere ilustracije v tem priročniku razlikujejo od zadevnega modela.
(HDPW3618DN*, HDPW3618CN*)



Upravljalna plošča



Kazalniki:

- A Predel hladilnika
- B Predel za hlajenje (My Zone)
- C Predel zamrzovalnika
- D Prikaz temperature
- E Funkcija Super Cool
- F Funkcija Super Freeze
- G Funkcija Holiday
- H Funkcija načina Eco
- I Funkcija Wi-Fi

Gumbi:

- K1 Znižanje temperature
- K2 Izbira hladilnika, My Zone in zamrzovalnika
- K3 Vklp/izklop funkcije Super Cool
- K4 Vklp/izklop funkcije Super Freeze
- K5 Vklp/izklop funkcije Holiday
- K6 Vklp/izklop funkcije načina Eco
- K7 Vklp/izklop funkcije Wi-Fi
- K8 Povišanje temperature

Pred prvo uporabo

Odstranite vso embalažo in jo hranite izven dosega otrok ter jo zavržite na okolju prijazen način.

Očistite notranjost in zunanost aparata kakor tudi notranjost in dodatke z vodo ter blagim detergentom ter jih posušite z mehko krpo.

Ko je aparat poravnan in očiščen, počakajte vsaj 2 uri, preden ga priključite na napajanje. Glejte poglavje NAMESTITEV.

Predn aparat napolnite s hrano, predhodno ohladite predel pri visokih nastavitvah. Funkcija Super Freeze pomaga hitro ohladiti predel zamrzovalnika.

Senzorske tipke

Gumbi na nadzorni plošči so senzorske tipke, ki se odzovejo, ko se jih rahlo dotaknete s prstom.

Vklop/izklop aparata

Aparat začne delovati takoj, ko ga priključite na napajanje.

Ko je aparat prvič vklopljen, indikatorji temperature »D« prikazujejo prednastavljene vrednosti (glejte spodnje obvestilo).

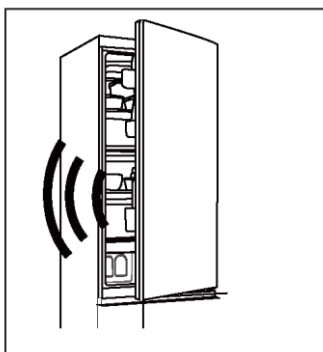
OBVESTILO

Aparat je nastavljen na priporočeno temperaturo 5 °C (hladilnik) in –18 °C (zamrzovalnik). Temperatura My Zone je vnaprej nastavljena na približno 2°C. To so priporočene nastavitve. Če želite, lahko te temperature ročno spremenite.

Alarm odprtih vrat

Ko so vrata hladilnika odprta več kot 3 minute, se oglasi alarm za odprta vrata.

Alarm lahko izklopite tako, da zaprete vrata. Če vrata ostanejo odprta več kot 7 minut, se luč v hladilniku in osvetlitev nadzorne plošče samodejno izklopita.



Nastavitev temperature

Na notranjo temperaturo vplivajo naslednji dejavniki:

- ▶ Temperatura prostora
- ▶ Pogostost odpiranja vrat
- ▶ Količina shranjenih živil
- ▶ Namestitev aparata

Prilagoditev temperature hladilnika

1. Pritisnite gumb »K2« (izbira hladilnika / (My Zone) / zamrzovalnika), da izberete predel hladilnika. Ikoni »A« (predel hladilnika) in »D« (prikaz temperature) svetita.

2. Pritisnite gumb »K1/K8«, da nastavite temperaturo hladilnika.

Temperatura narašča po 1 °C, od najmanj 2 °C do največ 8 °C. Idealna temperatura v hladilniku je 5 °C. Nižje temperature povzročijo nepotrebno porabo energije.

3. Po približno 5 sekundah bo ikona temperature »D« (prikaz temperature) trajno svetila, s čimer je nastavev potrjena.

Prilagoditev temperature zamrzovalnika

1. Pritisnite gumb »K2« (izbira hladilnika / (My Zone) / zamrzovalnika), da izberete predel zamrzovalnika. Ikoni »C« (zamrzovalni predel) in »D« (prikaz temperature) svetita.

2. Pritisnite gumb »K1/K8«, da nastavite temperaturo zamrzovalnika.

Temperatura narašča po 1 °C, od najmanj –24 °C do največ –16 °C. Idealna temperatura v zamrzovalniku je –18 °C. Nižje temperature povzročijo nepotrebno porabo energije.

3. Po približno 5 sekundah bo indikator temperature »D« (prikaz temperature) trajno svetil, s čimer je nastavev potrjena.

Prilagoditev temperature v My Zone

Hladilnik je opremljen s predalom My Zone. V skladu s potrebami po shranjevanju živil lahko izberete najprimernejšo temperaturo, da zagotovite optimalno hranilno vrednost živil.

1. Pritisnite gumb »K2« (izbira hladilnika / (My Zone) / zamrzovalnika), da izberete predel My Zone. Ikoni »B« (predel My Zone) in »D« (prikaz temperature) svetita.

2. Pritisnite gumb »K1/K8«, da nastavite temperaturo v My Zone.

Temperatura narašča po 1 °C, od najmanj 0 °C do največ 5 °C.

3. Po približno 5 sekundah bo ikona temperature »D« (prikaz temperature) trajno svetila, s čimer je nastavev potrjena.



OBVESTILO

1. Temperaturo v predelu My Zone lahko nastavite na srednjo raven (2 °C), da bo hrana v optimalnem okolju za shranjevanje.
2. Zaradi različne vsebnosti vode v mesu bo nekatero meso z več vlage zamrznilo pri temperaturah, nižjih od 0 °C, zato je treba vnaprej narezano meso shraniti v predal My Zone pri najnižji temperaturi 0 °C.
3. V predalu My Zone ne shranjujte sadja, občutljivega na mraz, kot so ananas, avokado, banane, grenivke, in zelenjave, kot so krompir, jajčevci, fižol, kumare, bučke in paradižnik, ter sira.
4. Če je temperatura hladilnika nižja od temperature v My Zone, je normalno, da je temperatura v My Zone nižja od nastavljene temperature My Zone.

OBVESTILO

Če po nastavitvi temperature v 5 sekundah pritisnete druge gumbe, se trenutna nastavev temperature takoj potrdi. Če v 5 sekundah ne pritisnete nobenega gumba, se trenutno nastavljena temperatura prikazuje, dokler zaslon ne ugasne.

OBVESTILO

V aplikaciji je mogoče prilagoditi temperaturo hladilnika, zamrzovalnika in My Zone. Temperaturo lahko nastavite z natančnostjo 1 °C.

Funkcija Super Cool

1. Priporočamo, da funkcijo Super Cool vklopite, ko morate shraniti večjo količino hrane (na primer po nakupovanju). Funkcija Super Cool pospeši hlajenje sveže hrane in zaščiti hrano, ki je že shranjena, pred neželenim segrevanjem.
2. Pritisnite gumb »K3« ali ta način vklopite prek aplikacije; zasveti ikona »E« (funkcija Super Cool), kar pomeni, da je funkcija vklopljena.



OBVESTILO

1. Aparat funkcijo »Super Cool« ugasne po 6 urah od vklopa te funkcije ali po pritisku na gumb »K3«, ko sveti ikona »E« (funkcija Super Cool) ali ko jo izklopite prek aplikacije.
2. Če medtem, ko je aparat v stanju Super Cool, poskusite prilagoditi temperaturo predela hladilnika, ikona »E« (funkcija Super Cool« utripa, kar označuje, da tega dejanja ni mogoče izvesti.

Funkcija Super Freeze

1. Svežo hrano je treba čim prej povsem zamrzniti. To omogoča ohranitev najboljše hranilne vrednosti, videza in okusa. Funkcija Super Freeze pospeši zamrzovanje svežih živil in ščiti živila, ki so že shranjena, pred neželenim segrevanjem. Če morate naenkrat zamrzniti veliko količino hrane, priporočamo, da predhodno nastavite funkcijo Super Freeze 24 ur pred uporabo zamrzovalnega prostora.
2. Pritisnite gumb »K4« (nastavitev funkcije Super Freeze) ali jo vklopite prek aplikacije; zasveti ikona »F« (funkcija Super Freeze), kar pomeni, da je funkcija vklopljena.

OBVESTILO

1. Aparat funkcijo »Super Freeze« ugasne po 50 urah od vklopa te funkcije ali po pritisku na gumb »K4«, ko sveti ikona »F« (funkcija Super Freeze) ali ko jo izklopite prek aplikacije.
2. Če medtem, ko je aparat v stanju Super Freeze, poskusite prilagoditi temperaturo predela zamrzovalnika, ikona »F« (funkcija Super Freeze) utripa, kar označuje, da tega dejanja ni mogoče izvesti.

Funkcija Holiday

Funkcijo Holiday lahko uporabite za zmanjšanje porabe energije aparata, kadar je ne uporabljate redno. Ko je funkcija vklopljena, je hladilnik izklopljen, zamrzovalnik pa še naprej normalno deluje. Ta funkcija temperaturo hladilnika trajno nastavi na 17 °C.

To omogoča, da so vrata praznega hladilnika lahko zaprta, ne da bi povzročala razvoj vonja ali plesni med dolgo odsotnostjo (npr. med dopustom). Zamrzovalnik lahko nastavljate po želji.

1. Pritisnite gumb »K5« (vklop/izklop funkcije Holiday) ali izberite funkcijo v aplikaciji; zasveti ikona »G« (funkcija Holiday), kar pomeni, da je funkcija vklopljena.
2. Funkcijo lahko izklopite s ponovnim pritiskom na gumb »K5« (vklop/izklop funkcije Holiday) ali z nastavitvijo temperature hladilnika ali z izvedbo katere koli druge nastavitve, ali pa jo izklopite prek aplikacije.



OBVESTILO

1. Ko je vklopljena funkcija Holiday, v predelu hladilnika ni dovoljeno shranjevati hrane. Temperatura + 17 °C je previsoka za shranjevanje hrane.
2. Ko je funkcija Holiday vklopljena, ikona My Zone ne sveti in funkcija hladilnika je zaklenjena. Če poskusite prilagoditi temperaturo predela hladilnika, ikona »G« (funkcija Holiday) utripa, kar pomeni, da tega dejanja ni mogoče izvesti.

Funkcija načina Eco

Način Eco lahko aktivirate, da optimizirate delovanje aparata ob sočasni zagotovitvi najboljšega shranjevanja hrane. Če nimate posebnih zahtev, priporočamo, da uporabljate funkcijo Eco.

V tem načinu je temperatura hladilnika 5 °C, temperatura zamrzovalnika pa –18 °C.

1. Pritisnite gumb »K6« (vklop/izklop funkcije Eco) ali jo izberite v aplikaciji.
2. Zasveti ikona »H« (funkcija načina Eco) in funkcija se aktivira.

S ponovitvijo zgornjih korakov ali izbiro druge funkcije ali izklopom funkcije prek aplikacije lahko to funkcijo izklopite. Obnovijo se prej nastavljene ravni hlajenja.



OBVESTILO

Če med delovanjem funkcije Eco poskušate prilagoditi temperaturo predela hladilnika/zamrzovalnika, ikona »H« (funkcija načina Eco) utripa, kar pomeni, da tega dejanja ni mogoče izvesti.

1. korak Prenesite aplikacijo hOn iz spletnih trgovin z aplikacijami.

	
<p>2. korak Ustvarite račun v aplikaciji hOn ali pa se prijavite, če račun že imate</p> 	<p>3. korak Sledite navodilom za seznanjanje v aplikaciji hOn</p> 

Funkcija Wi-Fi

1. Če želite konfigurirati Wi-Fi, sledite navodilom v aplikaciji.
2. Ko je Wi-Fi konfiguriran in povezava vzpostavljena, ikona Wi-Fi »I« neprekinjeno sveti.
3. Če je bil Wi-Fi že konfiguriran, se bo ob vklopu Wi-Fi povezava ponovno samodejno vzpostavila na podlagi obstoječe konfiguracije.

OBVESTILO

1. Če želite izklopiti Wi-Fi, pritisnite gumb Wi-Fi »K7« in ikona Wi-Fi »I« bo ugasnila.
 2. Če želite vklopiti Wi-Fi in zagnati konfiguracijo, pritisnite gumb Wi-Fi »K7« in ikona Wi-Fi »I« bo začela počasi utripati. Če želite konfigurirati funkcijo Wi-Fi, pridržite gumb »K7« 3 sekunde. Ikona Wi-Fi bo hitro utripala in vklopil se bo način konfiguracije. Če želite funkcijo Wi-Fi izklopiti, enkrat pritisnite gumb »K7«.
- Zgornji koraki se ponovijo.
3. Če je bil izdelek konfiguriran in je bila funkcija Wi-Fi izklopljena, hladilnik po ponovni priključitvi napajanja ne bo prešel v način konfiguracije.

OBVESTILO

1. Ta izdelek ni predviden za komercialno uporabo.
2. Največja RF izhodna moč: 2,4 GHz Wi-Fi: 16 dBm;
3. Bluetooth® Low Energy: 5 dBm; Bluetooth® (BR/EDR): 10dBm.
4. Frekvenčni pas delovanja: 2400-2483,5 MHz.



Bluetooth® besedna znamka in logotipi so registrirane blagovne znamke podjetja Bluetooth SIG, Inc., ki jih Candy Hoover Group SRL uporablja na podlagi licence. Vse druge blagovne znamke in trgovska imena pripadajo njihovim lastnikom.

Shranjevanje v hladilnik

- Temperatura v hladilniku naj bo manj kot 5 °C.
- Vročo hrano je treba pred shranjevanjem v aparatu ohladiti na sobno temperaturo.
- Živila, ki jih želite shranjevati v hladilniku, je treba pred shranjevanjem oprati in posušiti.
- Živila, ki jih želite shranjevati, morajo biti pravilno zaprta, da preprečite vonjave ali spremembe okusa.
- Ne shranjujte prevelikih količin hrane. Med posameznimi živili pustite nekaj mesta, da jih obda hladen zrak, s čimer dosežete boljše in bolj homogeno hlajenje.
- Živila, ki jih uporabljate vsak dan, je treba hraniti na sprednji strani police.
- Med posameznimi živili in notranjimi stenami pustite nekaj mesta, s čimer omogočite pretok zraka. Predvsem pa ne shranjujte živil ob zadnji steni: hrana lahko primrzne na zadnjo steno. Izogibajte se neposrednemu stiku hrane (zlasti mastne ali kisle hrane) z notranjo oblogo, saj lahko olje/kislina uniči notranjo oblogo. Očistite mastno/kislo umazanijo, kadarkoli jo odkrijete.
- Zamrznjena živila lahko nežno odmrznete v hladilniku. Tako prihranite energijo.
- Postopek staranja sadja in zelenjave, kot so bučke, melone, papaja, banana, ananas itd., se lahko v hladilniku pospeši. Zato jih ni priporočljivo shranjevati v hladilniku. Zorenje močno zelenih plodov pa za nekaj časa lahko pospešite. Tudi čebulo, česen, ingver in drugo korenovko je treba hraniti pri sobni temperaturi.
- Neprijetni vonji v hladilniku so znak, da se je nekaj razlilo in da je potrebno čiščenje. Glejte poglavje Nega in čiščenje
- Različna živila je treba postaviti v različna območja glede na njihove lastnosti.

Shranjevanje v predelu zamrzovalnika

- Temperaturo zamrzovalnika pustite na -18 °C.
- 24 ur pred zamrzovanjem vklopite funkcijo Super-Freeze. Za majhne količine hrane zadostuje 4-6 ur.
- Vročo hrano je treba pred shranjevanjem v zamrzovalnem predelu ohladiti na sobno temperaturo.
- Hrana, razrezana na majhne porcije, bo hitreje zmrznila in lažje jo boste odtalili ter kuhali. Priporočena teža vsakega obroka je manjša od 2,5 kg
- Bolje je, da hrano spravite v embalažo, preden jo shranite v zamrzovalnik. Zunanost embalaže mora biti suha, da se prepreči lepljenje vrečk. Embalažni materiali morajo biti brez vonja, nepredušni, nestrupeni in netoksični.
- Da bi se izognili izteku obdobja shranjevanja, si zabeležite datum zamrznitve, rok in ime živila na embalaži glede na obdobja shranjevanja različnih živil.



OPOZORILO!

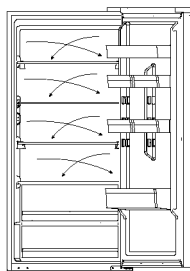
- ▶ Kislina, alkalije in sol itd. lahko poškodujejo notranjo površino zamrzovalnika.
- ▶ Živil, ki vsebujejo te snovi (npr. morske ribe), ne polagajte neposredno na notranjo površino. Slano vodo v zamrzovalniku je treba takoj očistiti.
- ▶ Ne prekoračite časa shranjevanja živil, ki ga priporočajo proizvajalci. Iz zamrzovalnika vzemite samo potrebno količino hrane.
- ▶ Odmrznjena živila hitro zaužijte. Odmrznjene hrane ni mogoče znova zamrzniti, če je najprej ne skuhate, sicer je manj užitna.
- ▶ V hladilnik ne nalagajte prevelikih količin sveže hrane. Glejte zamrzovalno zmogljivost zamrzovalnika - glejte TEHNIČNE PODATKE ali podatke na tipski tablici.
- ▶ Živila lahko hranite v zamrzovalniku pri temperaturi najmanj -18°C 2 do 12 mesecev, odvisno od njegovih lastnosti (npr. meso: 3–12 mesecev, zelenjavo: 6–12 mesecev)
- ▶ Pri zamrzovanju sveže hrane se izogibajte stiku z že zamrznjeno hrano. Nevarnost odmrzovanja!

Pri shranjevanju komercialno zamrznjenih živil upoštevajte ta navodila:

- Vedno upoštevajte proizvajalčeve smernice glede dolžine za shranjevanje živil. Ne prekoračite teh smernic!
- Naj bo čas med nakupom in shranjevanjem čim krajši, da ohranite kakovost hrane.
- Kupite zamrznjena živila, ki so bila shranjena pri temperaturi -18°C ali nižji.
- Izogibajte se nakupu hrane z ledom ali zmrzaljo na embalaži – to pomeni, da so bili izdelki v določenem trenutku morda delno odmrznjeni in znova zamrznjeni – dvig temperature vpliva na kakovost hrane.

OBVESTILO

Zaradi različnih modelov vaš izdelek morda nima vseh naslednjih funkcij. Glejte poglavje Opis izdelka.I.



Več pretokov zraka

Hladilnik je opremljen s sistemom z več pretoki zraka, s katerim se hladni pretoki zraka nahajajo na vsaki ravni police. To pomaga ohranjati enotno temperaturo, da ostane hrana dlje časa sveža.



Nastavljiva polica

1. Višino polic lahko prilagodite tako, da ustrezajo vašim potrebam po shranjevanju.
2. Za premik police jo najprej odstranite tako, da dvignete njen zadnji rob ① in jo izvlečete ②.
3. Če jo želite znova namestiti, jo postavite na vodila na obeh straneh in potisnite do konca nazaj, dokler zadnji del police ni pritrjen v reže na strani

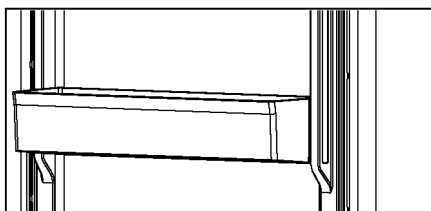
OBVESTILO

Prepričajte se, da so vsi konci police poravnani.

Odstranljiva posoda na vratih

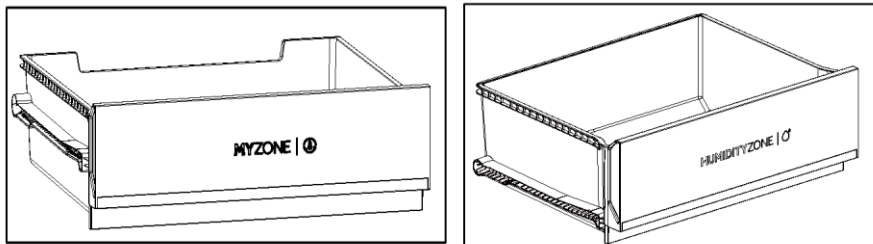
Posodo na vratih lahko odstranite za čiščenje:

Položite roke na vsako stran posode ter jo dvignite navzgor (1) in povlecite navzven (2). Za vstavev posode v vrata izvedite zgornje korake v obratnem vrstnem redu.



Predal My Zone

Za uporabo in nastavitve predela My Zone preverite poglavje UPORABA (My Zone).



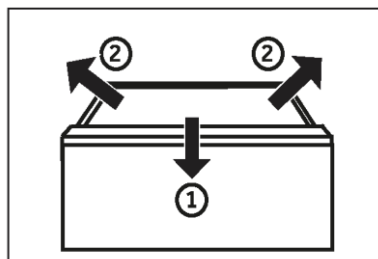
Predal Humidity Zone

V tem predelu sistem samodejno nadzoruje stopnjo vlažnosti in je primeren za shranjevanje sadja, zelenjave, solate itd.

Odstranljiv predal

Če želite predal izvleči iz predela hladilnika ali zamrzovalnika, ga v največji možni meri izvlecite (1), dvignite in odstranite (2).

Za vstavev predala zgornje korake izvedite v obratnem vrstnem redu.



Predal zamrzovalnika

Predale zamrzovalnika lahko naravnost in povsem izvlečete. Nameščeni so na gladko tekočem teleskopskem vodilu. Omogočajo udobno shranjevanje in odstranjevanje zamrznjene hrane. Zaradi mehanizma samodejnega zapiranja vrat je rokovanje enostavno in lahko prihranite energijo



OPOZORILO!

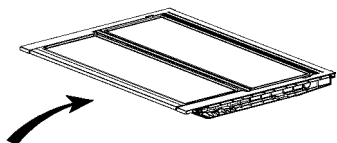
Predalov ne preobremenjujte: Največja obremenitev posameznega predala: 35 kg!

Luč

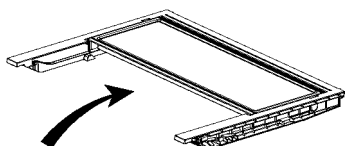
Notranja luč LED se prižge, ko odprete vrata. Na delovanje luči ne vpliva nobena druga nastavitve aparata.

Zložljiva polica

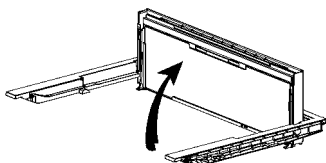
Zložljiva polica uporabniku omogoča, da na police postavi visoke steklenice ali predmete. Polico lahko zložite nazaj, da povečate prostor, ki je na voljo na nižji polici. Polico lahko zložite po korakih 1~3. Če jih želite vrniti na prvotno mesto, izvedite postopek v obratnem vrstnem redu.



1. korak: Sprednji del police počasi potisnite do konca.



2. korak: Polico počasi potisnite navzgor v navpični položaj.



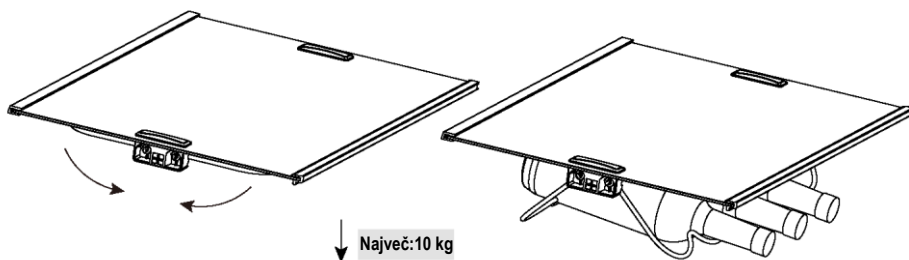
3. korak: Polica je v navpičnem položaju. S tem prihrani prostor.

Zložljivo stojalo za vino

Za običajno uporabo

1. Nosilce stojala za vino povlecite navzdol.
2. Namestite steklenice na stojalo.

Ko stojalo ni v uporabi, ga lahko zložite, da prihranite prostor.





Namigi za varčevanje z električno energijo

- ▶ Prepričajte se, da je aparat pravilno prezračen (glejte NAMESTITEV).
- ▶ Aparata ne nameščajte na neposredno sončno svetlobo ali v bližino toplotnih virov (npr. štedilnikov, grelcev).
- ▶ Izogibajte se nepotrebno nizki temperaturi v aparatu. Poraba energije se povečuje z zniževanjem nastavljene temperature v aparatu.
- ▶ Funkcije, kot je SUPER FREEZE, porabijo več energije.
- ▶ Počakajte, da se toplotno obdelana živila ohladijo in jih šele nato postavite v aparat.
- ▶ Vrata aparata odprite čim manjkrat in za čim krajši čas.
- ▶ Aparata ne polnite preveč, da se izognete oviranju pretoka zraka.
- ▶ Izogibajte se zraku v embalaži živil.
- ▶ Tesnila vrat naj bodo čista, da se bodo vrata vedno pravilno zaprla.
- ▶ Zamrznjeno hrano odmrznite v predelu hladilnika ali uporabite funkcijo D-Frost v predalu My Zone.
- ▶ Pri konfiguraciji, ki najbolj varčuje z energijo, morajo biti predali in police v aparatu nameščeni v tovarniškem stanju, hrano pa je treba položiti tako, da ne ovira odvoda zraka iz kanala.



OPOZORILO!

Čiščenje

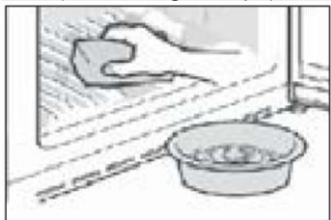
Aparat očistite, ko hranite le malo živil ali nič.

Aparat je treba očistiti vsake štiri tedne za dobro vzdrževanje in za preprečevanje neprijetnega vonja hrane.



OPOZORILO!

- ▶ Aparata ne čistite s trdimi ščetkami, žičnimi krtačami, detergentom v prahu, bencinom, amil acetatom, acetonom in podobnimi organskimi raztopinami, kislimi ali alkalnimi raztopinami. Čistite ga s posebnim detergentom za hladilnik, da se izognete poškodbam.
- ▶ Med čiščenjem aparata ne škropite ali spirajte.
- ▶ Aparata ne čistite s pršenjem vode ali paro.
- ▶ Hladnih steklenih polic ne čistite z vročo vodo. Zaradi nenadne spremembe temperature se lahko steklo zlomi.
- ▶ Ne dotikajte se notranjosti zamrzovalnega predela, zlasti z mokrimi rokami, saj lahko vaše roke primrznejo na površino.
- ▶ V primeru ogrevanja preverite stanje zamrznjenega blaga.



- ▶ Tesnilo na vratih naj bo vedno čisto.
- ▶ Očistite notranjost in ohišje aparata z gobo, navlaženo v topli vodi in nevtralnem čistilu.
- ▶ 1. Z mehko brisačo ali gobico, namočeno v toplo vodo (v toplo vodo lahko dodate nevtralen detergent), obrišite notranjost in zunanost hladilnika, vključno s tesnilom na vratih, stojalom za vrata, steklenimi policami, posodami in podobno.
- ▶ 2. Če pride do razlitja tekočine, odstranite vse kontaminirane dele, neposredno jih sperite s tekočo vodo, posušite in vrnite v hladilnik.
- ▶ 3. Če pride do razlitja kremaste snovi (na primer smetana, stopljeni sladoled), odstranite vse kontaminirane dele, za nekaj časa postavite v toplo vodo s temperaturo približno 40 °C, nato sperite s tekočo vodo, posušite in vrnite nazaj v hladilnik.
- ▶ 4. Če se majhen del ali komponenta zatakne v hladilniku (med policami ali predali), ga odstranite z majhno mehko krtačo. Če dela ne dosežete, se obrnite na servis Haier.
- ▶ Sperite in posušite z mehko krpo.
- ▶ Nobenega dela aparata ne čistite v pomivalnem stroju.
- ▶ Pred ponovnim zagonom aparata počakajte vsaj 5 minut, saj lahko pogosto zaganjanje poškoduje kompresor.

Odmrzovanje

Odmrzovanje hladilnika in zamrzovalnega predela se opravi samodejno; ročno poseganje ni potrebno.



Menjava luči LED

**OPOZORILO!**

LED-lučke ne smete zamenjati sami, zamenjati jo sme le proizvajalec ali pooblaščen servisier.

Luči kot vir svetlobe uporabljajo sijalke LED z nizko porabo energije in dolgo življenjsko dobo. Če pride do kakršnih koli nepravilnosti, se obrnite na službo za pomoč strankam. Glejte SLUŽBA ZA POMOČ STRANKAM.

Parametri luči:

Del	Lučka LED
Napetost	12 V
Največja moč	1,5 W
Specifikacije LED	Whita-2835
Razred učinkovitosti LED	G
Temperatura uporabe	-40~80 °C

Dolgotrajna neuporaba

Če aparata ne uporabljate dalj časa in ne boste uporabljali načina Holiday za hladilnik:

vso hrano odstranite;

izklopite napajalni kabel;

očistite aparat, kot je opisano zgoraj;

vrata naj ostanejo odprta, da preprečite nastanek neprijetnega vonja.

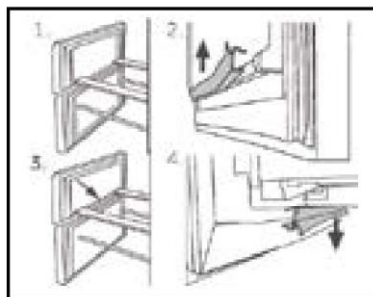
**OBVESTILO**

Aparat izklopite le, če je to nujno potrebno.

Odstranljiva pomožna tesnila vrat

Na zgornjem in spodnjem predalu zamrzovalnika je šest pomožnih tesnil vrat.

1. Poiščite pet označenih tesnil vrat na zgornjem in spodnjem predalu zamrzovalnika.
2. Pri pritrdjevanju zagotovite, da so upognjeni kosi tesnil usmerjeni navznoter.
3. Poiščite spodnje tesnilo zgornjega predala, kot je označeno.
4. Pri pritrdjevanju zagotovite, da je upognjeni kos tesnila usmerjen navzdol.
5. Ta tesnila in tesnila vrtljivih vrat/predalov dobite prek službe za pomoč strankam (glejte garancijski list).



Premikanje aparata

1. Odstranite vso hrano in izključite aparat.
2. Police in druge premične dele v hladilniku in zamrzovalniku pritrdite z lepilnim trakom.
3. Hladilnika ne nagibajte za več kot 45°, da ne poškodujete hladilnega sistema.



OPOZORILO!

- ▶ Aparata ne dvigujte za ročaje.
- ▶ Aparata nikoli ne postavljajte vodoravno na tla.



Številne težave, do katerih prihaja, bi lahko rešili sami brez posebnega strokovnega znanja. V primeru težav preverite vse prikazane možnosti in sledite spodnjim navodilom, preden se obrnete na servisno službo. Glejte SLUŽBA ZA POMOČ STRANKAM.



OPOZORILO!

- ▶ Pred vzdrževanjem izklopite aparat in odklopite vtič iz vtičnice.
- ▶ Električno opremo lahko servisirajo samo usposobljeni električarji, saj lahko nepravilna popravila povzročijo znatno posledično škodo.
- ▶ Če je napajalni kabel poškodovan, ga sme zamenjati samo proizvajalec, njegov servisni agent ali drug kvalificiran serviser, da preprečite morebitne nevarnosti.

Razpredelnica za odpravljanje težav

Težava	Možen vzrok	Možna rešitev
Kompresor ne deluje.	Omrežni vtič ni priključen v omrežno vtičnico.	Priključite glavni vtič.
	Aparat je v ciklu odmrzovanja.	To je normalno za avtomatsko odmrzovanje.
Aparat deluje pre pogosto ali deluje predolgo.	Notranja ali zunanja temperatura je previsoka.	V tem primeru je običajno, da aparat deluje dlje.
	Aparat že nekaj časa ni vklopljen.	Običajno traja od 8 do 12 ur, da se aparat popolnoma ohladi.
	Vrata/predal aparata ni(so) tesno zaprt(a).	Zaprte vrata/predal in se prepričajte, da je aparat nameščen na ravni podlagi ter da hrana ali posoda ne ovira vrat.
	Vrata/predal je bil odprt pre pogosto ali predolgo.	Vrat/predala ne odpirajte pre pogosto.
	Nastavitev temperature v zamrzovalnem prostoru je prenizka.	Nastavite višjo temperaturo, dokler ni dosežena zadovoljiva temperatura hladilnika. Temperatura hladilnika postane stabilna po 24 urah delovanja.
	Tesnila vrat/predala so umazana, obrabljena, razpokana ali neustrezna.	Očistite tesnilo vrat/predala ali prosite službo za pomoč strankam, da ga zamenja.
	Zahtevano kroženje zraka ni zagotovljeno.	Zagotovite ustrezno prezračevanje.



Težava	Možen vzrok	Možna rešitev
Notranjost hladilnika je umazana in/ali ima neprijeten vonj.	Notranjost hladilnika je potrebno očistiti.	Očistite notranjost hladilnika.
	V hladilniku je shranjena hrana močnega vonja.	Hrano temeljito zavijte.
Znotraj aparata ni dovolj hladno.	Temperatura je nastavljena previsoko.	Ponastavite temperaturo.
	Shranjena je bila preveč topla hrana.	Živila pred shranjevanjem vedno ohladite.
	Naenkrat ste spravili preveč hrane.	Vedno shranjujte manjše količine hrane.
	Živila so preblizu skupaj.	Pustite razmik med živili, ki omogoča pretok zraka.
	Vrata/predal aparata ni(so) tesno zaprt(a).	Zaprite vrata/predal.
	Vrata/predal je bil odprt prepogosto ali predolgo.	Vrat/predala ne odpirajte prepogosto.
Znotraj aparata je prehladno.	Temperatura je nastavljena prenizko.	Ponastavite temperaturo.
	Vključena je funkcija Super Freeze ali deluje predolgo.	Izklopite funkcijo Super Freeze.
Na notranji strani predela hladilnika nastaja vlaga.	Zunanje okolje je pretoplo in prevlažno.	Povečajte temperaturo.
	Vrata/predal aparata ni(so) tesno zaprt(a).	Zaprite vrata/predal.
	Vrata/predal je bil odprt prepogosto ali predolgo.	Vrat/predala ne odpirajte prepogosto.
	Posode s hrano ali tekočine so ostale odprte.	Vroča hrana naj se ohladi na sobno temperaturo, hrano in tekočine pa zaprite.
Vlaga se nabira na zunanji površini hladilnika ali med vrati in predalom.	Zunanje okolje je pretoplo in prevlažno.	To je normalno v vlažnem podnebju in se bo spremenilo, ko se vlažnost zmanjša.
	Vrata/predal ni tesno zaprt.	Prepričajte se, da so/je vrata/predal tesno zaprt(a).



Težava	Možen vzrok	Možna rešitev
Močan led in zmrzal v zamrzovalnem prostoru.	Živila niso bila ustrezno zapakirana.	Živila vedno dobro zapakirajte.
	zaprto.	
	Vrata/predal je bil odprt prepogosto ali predolgo.	Vrat/predala ne odpirajte prepogosto.
	Tesnila vrat/predala so umazana, obrabljena, razpokana ali neustrezna.	Očistite tesnilo vrat/predala ali ga zamenjajte z novim.
	Nekaj na notranji strani preprečuje pravilno zapiranje vrat/predala.	Premaknite police, stojala na vratih ali notranje posode, da omogočite zapiranje vrat/predala.
Aparat proizvaja nenormalne zvoke.	Aparat ni na ravni podlagi.	Nastavite noge, da poravnate aparat.
	Aparat se dotika predmeta v njeni bližini.	Odstranite predmete okoli aparata.
Slišati je mogoče rahel zvok, podoben zvoku pretakanja vode.	To je običajno.	/
Zaslišali boste pisk alarma.	Vrata hladilnega prostora so odprta.	Zaprte vrata ali ročno utišajte alarm.
Slišali boste rahlo brnenje.	Sistem proti kondenzaciji deluje.	To preprečuje kondenzacijo in je normalno.
Notranja razsvetljava ali hladilni sistem ne deluje.	Glavni vtič ni priključen v električni vtičnico.	Priključite glavni vtič.
	Napajanje ne deluje pravilno.	Preverite električno napajanje prostora. Pokličite lokalno elektro podjetje!
	Lučka LED ne deluje.	Za zamenjavo lučke pokličite servisno službo.
Strani hladilnika in trak na vratih se segrejejo.	To je običajno.	/
Iz lija dozirnika za vodo voda ne teče	Ključavnica ni izklopljena.	Izklopite ključavnico.



Prekinitev napajanja

- ▶ V primeru izpada električne energije naj bi hrana ostala varno hladna približno 13 ur. Upoštevajte te nasvete, če pride do daljše prekinitve napajanja, zlasti poleti:
- ▶ Med prekinitvijo napajanja v aparat ne vstavljajte dodatnih živil.
- ▶ Če ste predhodno obveščeni o prekinitvi napajanja in je trajanje prekinitve daljše od 13 ur, naredite nekaj ledenih kock in jih postavite v posodo na zgornji polico predela hladilnika.
- ▶ Takoj po prekinitvi je treba živila pregledati.
- ▶ Ker bo temperatura v hladilniku med prekinitvijo napajanja ali drugo okvaro narasla, se obdobje shranjevanja in užitenosti hrane skrajša. Takoj za tem je vsako hrano, ki se odtaja, treba zaužiti ali skuhati in znova zamrzniti (kjer je to primerno), da se prepreči tveganje za zdravje.



OBVESTILO

Funkcija pomnilnika med prekinitvijo napajanja

Po ponovni vzpostavitvi napajanja aparat deluje z nastavitvami, ki so bile nastavljene pred izpadom napajanja.

Če želite stopiti v stik s tehnično pomočjo, obiščite naše spletno mesto:

<https://corporate.haier-europe.com/en/>

V razdelku »spletno mesto« izberite blagovno znamko izdelka in državo.

Preusmerjeni boste na določeno spletno mesto, kjer lahko poiščete telefonsko številko in druge načine za stik s tehnično pomočjo.

Razpakiranje

OPOZORILO!

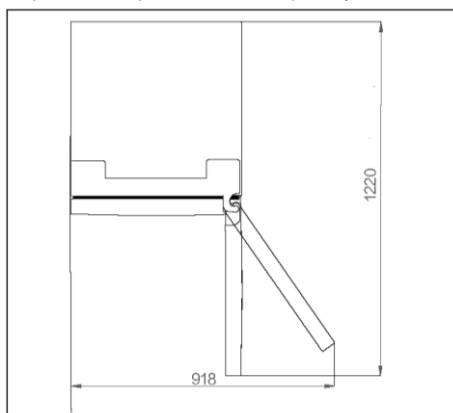
- ▶ Aparat je težak. Prenašata ga naj vsaj dve osebi.
- ▶ Vso embalažo hranite izven dosega otrok in jo zavržite na okolju prijazen način.
- ▶ Vzemite aparat iz embalaže.
- ▶ Odstranite vso embalažo.

Okoljski pogoji

Sobna temperatura mora biti vedno med 10 °C in 43 °C, saj lahko to vpliva na temperaturo v aparatu in njegovo porabo energije. Aparata ne nameščajte brez izolacije v bližini drugih naprav, ki oddajajo toploto (pečice, hladilniki).

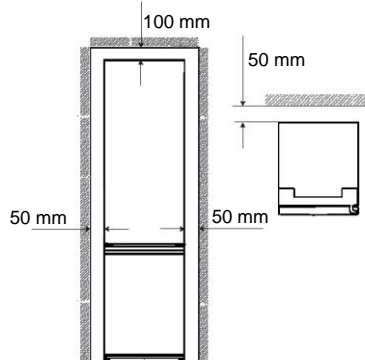
Priporočilo glede prostora

Priporočeni prostor ob odpiranju vrat.



Prezračevanje v prerezu

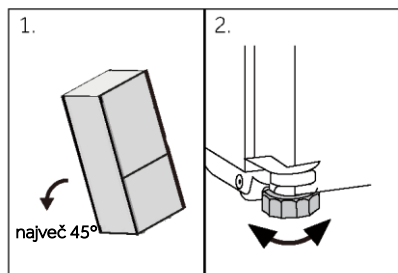
Za doseganje zadostnega prezračevanja naprave iz varnostnih razlogov priporočamo, da upoštevate smernice v priporočilih glede prostora.

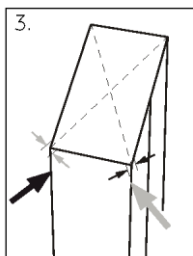


Poravnava aparata

Aparat naj bo postavljen na ravno in trdno površino.

1. Hladilnik rahlo nagnite nazaj.
2. Noge nastavite na želeno raven. Prepričajte se, da je razdalja do stene na strani tečaja vsaj 100 mm, da se lahko vrata normalno odprejo.

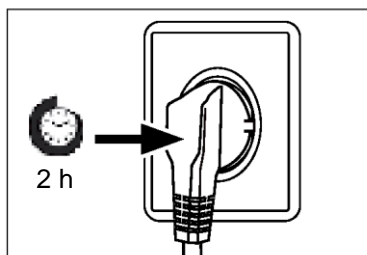




1. Stabilnost lahko preverite z izmeničnim pomikanjem po diagonalah. Rahlo zibanje mora biti enako v obe smeri. V nasprotnem primeru se okvir lahko deformira; rezultat je morebitno puščanje tesnil vrat. Rahel nagib nazaj olajša zapiranje vrat.

OBVESTILO

Za prostostoječi aparat: ta hladilnik ni namenjen uporabi kot vgradni hladilnik



Čas čakanja

Mazalno olje, ki ga ni treba vzdrževati, je v kapsuli kompresorja. Če je aparat nagnjen, lahko to olje med transportom steče skozi zaprt cevni sistem. Preden aparat priključite na napajanje, počakajte vsaj 2 uri, da olje priteče nazaj v kapsulo.

Priključitev v električno omrežje

Pred vsako priključitvijo preverite, ali:

- ▶ so napajanje, vtičnica in varovalke skladni s tipsko tablico,
- ▶ je vtičnica ozemljena in da v bližini ni podaljška z več vtičnicami ali kablskega podaljška,
- ▶ sta vtič in vtičnica pravilno nameščena.

Vtič priključite v pravilno nameščeno gospodinjisko vtičnico.

OPOZORILO!

Da bi se izognili tveganju, mora servis zamenjati poškodovan napajalni kabel (glejte garancijski list).



Sprememba smeri odpiranja vrat

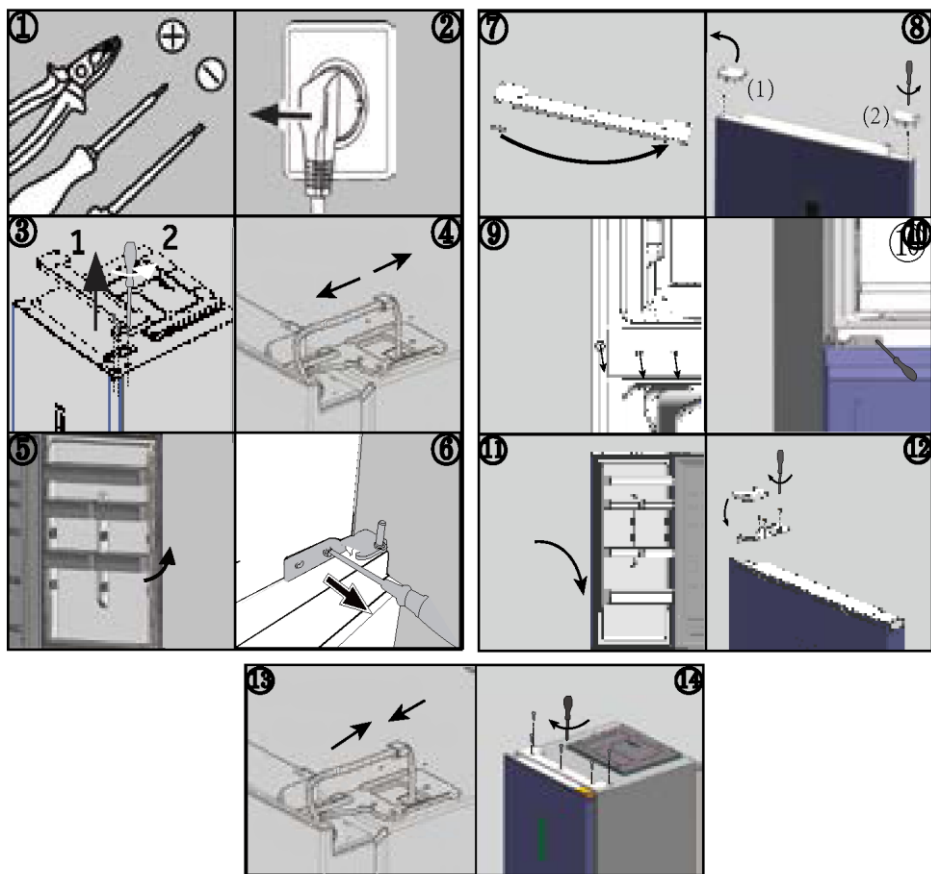
Pred priključitvijo aparata na napajanje preverite, ali je treba nihanje vrat zamenjati z desne (stanje ob dobavi) na levo, če je to potrebno zaradi mesta namestitve in uporabnosti.

OPOZORILO!

- ▶ Aparat je težak. Za spremembo smeri odpiranja vrat sta potrebni dve osebi.
- ▶ Pred kakršnim koli delom najprej izklopite aparat iz električnega omrežja.
- ▶ Aparata ne nagibajte za več kot 45 °C, da preprečite poškodbe hladilnega sistema.

Koraki sestavljanja

1. Zagotovite potrebno orodje.
 2. Izklopite aparat.
 3. Odstranite pokrov zgornjega tečaja 1 in odvijte zgornji tečaj (trije vijaki) na desni strani 2.
 4. Izklopite priključni kabel.
 5. Previdno dvignite vrata hladilnika s srednjega tečaja.
 6. Odstranite srednji tečaj.
 7. Premaknite majhen pokrov sprednje plošče z leve na desno stran.
 8. Obrnite vrata na glavo in odvijte pokrov (1). Iz vrečke z dodatki vzemite nov pokrov (2) in ga privijte na nasprotno stran.
 9. Zamenjajte položaje slepih čepov in vijaka na strani.
 10. Privijte srednji tečaj na levo stran aparata. Bodite pozorni na obračanje vrtenja srednjega tečaja in se prepričajte, da je stran s tesnilom obrnjena navzgor.
 11. Previdno dvignite zgornja vrata s srednjega tečaja. Prepričajte se, da se vrtljiva os prilega cevi tečaja spodnjih vrat.
 12. Iz vrečke z dodatki vzemite nov zgornji tečaj in pokrov tečaja. Priključni kabel speljite skozi zgornji tečaj in pritrdite zgornji tečaj s tremi vijaki na levi strani aparata. Namestite pokrov tečaja na tečaj.
 13. Priključite priključni kabel.
 14. Namestite sprednjo ploščo in jo pritrdite s petimi vijaki.
- Po menjavi vrat preverite, ali so tesnila vrat pravilno nameščena na ohišju in so vsi vijaki dobro priviti.



Sobne temperature

Razširjeno zmerno: ta hladilni aparat je namenjen uporabi pri sobni temperaturi od 10 do 32 °C.

Zmerno: ta hladilni aparat je namenjen uporabi pri sobni temperaturi od 16 do 32 °C.

Subtropsko: ta hladilni aparat je namenjen uporabi pri sobni temperaturi od 16 do 38 °C.

Tropsko: ta hladilni aparat je namenjen za uporabo pri sobni temperaturi od 16 °C do 43 °C.



Parametri izdelka v skladu z Uredbo (EU) 2019/2016

Na podlagi 24-urnih standardnih testnih rezultatov. Dejanska poraba energije bo odvisna od načina uporabe aparata in njenogove lokacije

Model	HTW5618DN*	HTW5620DN*	HTW5618EN*
Vrsta hladilnega aparata	Hladilnik-zamrzovalnik	Hladilnik-zamrzovalnik	Hladilnik-zamrzovalnik
Razred energijske učinkovitosti	D	D	E
Letna poraba energije (kWh/leto)	217	226	271
Prostornina predela hladilnika (L)	201	255	201
Prostornina predela zamrzovalnika (L)	125	125	125
Prostornina prostora za hlajenje (L)	34	34	34
Razred zamrzovanja	4 zvezdice	4 zvezdice	4 zvezdice
Vrsta odtajanja	Samodejno odtajanje	Samodejno odtajanje	Samodejno odtajanje
Čas dviga temperature (h)	13	13	11
Zmogljivost zamrzovanja (kg/24h)	10,0	10,0	10,0
Klimatski razred	SN.N.ST.T	SN.N.ST.T	SN.N.ST.T
Razred emisij hrupa in emisije akustičnega hrupa v zraku (dB(A) re 1 pW)	B(35)	B(35)	B(35)



Model	HTW5618CN*	HTW5620CN*	HTW5620EN*
Vrsta hladilnega aparata	Hladilnik-zamrzovalnik	Hladilnik-zamrzovalnik	Hladilnik-zamrzovalnik
Razred energijske učinkovitosti	C	C	E
Letna poraba energije (kWh/leto)	173	181	283
Prostornina predela hladilnika (L)	201	255	255
Prostornina predela zamrzovalnika (L)	125	125	125
Prostornina prostora za hlajenje (L)	34	34	34
Razred zamrzovanja	4 zvezdice	4 zvezdice	4 zvezdice
Vrsta odtajanja	Samodejno odtajanje	Samodejno odtajanje	Samodejno odtajanje
Čas dviga temperature (h)	13	13	11
Zmogljivost zamrzovanja (kg/24h)	10,0	10,0	10,0
Klimatski razred	SN.N.ST.T	SN.N.ST.T	SN.N.ST.T
Razred emisij hrupa in emisije akustičnega hrupa v zraku (dB(A) re 1 pW)	B(35)	B(35)	B(35)



Model	HDPW5618DN*	HDPW5620DN*	HDPW3620DN*
Vrsta hladilnega aparata	Hladilnik-zamrzovalnik	Hladilnik-zamrzovalnik	Hladilnik-zamrzovalnik
Razred energijske učinkovitosti	D	D	D
Letna poraba energije (kWh/leto)	214	220	220
Prostornina predela hladilnika (L)	201	255	255
Prostornina predela zamrzovalnika (L)	117	117	117
Prostornina prostora za hlajenje (L)	34	34	34
Razred zamrzovanja	4 zvezdice	4 zvezdice	4 zvezdice
Vrsta odtajanja	Samodejno odtajanje	Samodejno odtajanje	Samodejno odtajanje
Čas dviga temperature (h)	13	13	13
Zmogljivost zamrzovanja (kg/24h)	10,0	10,0	10,0
Klimatski razred	SN.N.ST.T	SN.N.ST.T	SN.N.ST.T
Razred emisij hrupa in emisije akustičnega hrupa v zraku (dB(A) re 1 pW)	B(35)	B(35)	B(35)



Model	HDPW3618DN*	HDPW3620CN*	HTW3620DN*
Vrsta hladilnega aparata	Hladilnik-zamrzovalnik	Hladilnik-zamrzovalnik	Hladilnik-zamrzovalnik
Razred energijske učinkovitosti	D	C	D
Letna poraba energije (kWh/leto)	214	176	226
Prostornina predela hladilnika (L)	201	255	255
Prostornina predela zamrzovalnika (L)	117	117	125
Prostornina prostora za hlajenje (L)	34	34	34
Razred zamrzovanja	4 zvezdice	4 zvezdice	4 zvezdice
Vrsta odtajanja	Samodejno odtajanje	Samodejno odtajanje	Samodejno odtajanje
Čas dviga temperature (h)	13	13	13
Zmogljivost zamrzovanja (kg/24h)	10,0	10,0	10,0
Klimatski razred	SN.N.ST.T	SN.N.ST.T	SN.N.ST.T
Razred emisij hrupa in emisije akustičnega hrupa v zraku (dB(A) re 1 pW)	B(35)	B(35)	B(35)



Model	HDPW5618CN*	HDPW5620CN*	HDPW5620AN*
Vrsta hladilnega aparata	Hladilnik-zamrzovalnik	Hladilnik-zamrzovalnik	Hladilnik-zamrzovalnik
Razred energijske učinkovitosti	C	C	A
Letna poraba energije (kWh/leto)	171	176	114
Prostornina predela hladilnika (L)	201	255	255
Prostornina predela zamrzovalnika (L)	117	117	120
Prostornina prostora za hlajenje (L)	34	34	34
Razred zamrzovanja	4 zvezdice	4 zvezdice	4 zvezdice
Vrsta odtajanja	Samodejno odtajanje	Samodejno odtajanje	Samodejno odtajanje
Čas dviga temperature (h)	13	13	16
Zmogljivost zamrzovanja (kg/24h)	10,0	10,0	10,0
Klimatski razred	SN.N.ST.T	SN.N.ST.T	SN.N.ST.T
Razred emisij hrupa in emisije akustičnega hrupa v zraku (dB(A) re 1 pW)	B(35)	B(35)	B(35)



Dodatni tehnični podatki

Model	HTW5618DN*	HTW5618EN*	HTW5620DN*
Skupna prostornina za shranjevanje (L)	360	360	414
Napetost/frekvenca	220~240 V / 50 Hz	220~240 V / 50 Hz	220~240 V / 50 Hz
Vhodni tok (A)	1,4	1,4	1,4
Glavna varovalka (A)	16	16	16
Hladišno sredstvo	R600a(53g)	R600a(53g)	R600a(53g)
Mere (Š/G/V v mm)	595*667*1850	595*667*1850	595*667*2050

Model	HTW5618CN*	HTW5620CN*	HTW5620EN*
Skupna prostornina za shranjevanje (L)	360	414	414
Napetost/frekvenca	220~240V/50Hz	220~240V/50Hz	220~240V/50Hz
Vhodni tok (A)	1,4	1,4	1,4
Glavna varovalka (A)	15	15	16
Hladišno sredstvo	R600a(50g)	R600a(50g)	R600a(53g)
Mere (Š/G/V v mm)	595*667*1850	595*667*2050	595*667*2050



Model	HDPW5618DN*	HDPW5620DN*	HDPW3620DN*
Skupna prostornina za shranjevanje (L)	352	406	406
Napetost/frekvenca	220~240V/50Hz	220~240V/50Hz	220~240V/50Hz
Vhodni tok (A)	1.4	1.4	1.4
Glavna varovalka (A)	16	16	16
Hladilno sredstvo	R600a(53g)	R600a(53g)	R600a(53g)
Mere (Š/G/V v mm)	595*667*1850	595*667*2050	595*667*2050

Model	HDPW5618CN*	HDPW5620CN*	HDPW5620AN*
Skupna prostornina za shranjevanje (L)	352	406	409
Napetost/frekvenca	220~240 V / 50 Hz	220~240 V / 50 Hz	220~240 V / 50 Hz
Vhodni tok (A)	1,4	1,4	1,4
Glavna varovalka (A)	15	15	15
Hladilno sredstvo	R600a(50g)	R600a(50g)	R600a(50g)
Mere (Š/G/V v mm)	595*667*1850	595*667*2050	595*667*2050



Model	HDPW5618CN*	HDPW5620CN*	HDPW5620AN*
Skupna prostornina za shranjevanje (L)	352	406	409
Napetost/frekvenca	220~240V/50Hz	220~240V/50Hz	220~240V/50Hz
Vhodni tok (A)	1.4	1.4	1.4
Glavna varovalka (A)	15	15	16
Hladilno sredstvo	R600a(50g)	R600a(50g)	R600a(50g)
Mere (Š/G/V v mm)	595*667*1850	595*667*2050	595*667*2050



Priporočamo našo službo za pomoč strankam Haier in uporabo originalnih nadomestnih delov.

Če imate težave z aparatom, najprej preverite poglavje **ODPRAVLJANJE TEŽAV**.

Če tam ne najdete rešitve, se obrnite na

- ▶ lokalnega prodajalca ali
- ▶ naš evropski klicni servisni center (glejte spodaj navedene telefonske številke) ali
- ▶ razdelek Servis in podpora na spletnem mestu www.haier.com, kjer lahko oddate zahtevek
- ▶ za servis in poiščete odgovore na pogosto postavljena vprašanja.

Če se želite obrniti na naš servis, se prepričajte, da imate na voljo naslednje podatke. Podatke najdete na tipski tablici.

Model _____

Serijska št. _____

V primeru uveljavljanja garancije preverite tudi garancijsko kartico, ki je priložena izdelku.

Evropski center za klicne storitve		
Država*	Telefonska številka	Stroški
Haier Italy (IT)	199 100 912	
Haier Spain (ES)	902 509 123	
Haier Germany (DE)	0180 5 39 39 99	<ul style="list-style-type: none"> • 14 centov/min, stacionarno omrežje • največ 42 centov/min, mobilno omrežje
Haier Austria (AT)	0820 001 205	<ul style="list-style-type: none"> • 14,53 centa/min, stacionarno omrežje • največ 20 centov/min, vsa ostala omrežja
Haier United Kingdom (UK)	0333 003 8122	
Haier France (FR)	0980 406 409	



* Za druge države glejte www.haier.com

Haier Europe Trading S.r.l

Branch UK

Westgate House, Westgate, Ealing

London, W5 1YY

*Trajanje garancije hladilnega aparata:

Minimalno garancijsko obdobje je: 2 leti za države EU, 3 leta za Turčijo, 1 leto za Združeno kraljestvo, 1 leto za Rusijo, 3 leta za Švedsko, 2 leti za Srbijo, 5 let za Norveško, 1 leto za Maroko, 6 mesecev za Alžirijo, za Tunizijo pravna garancija ni potrebna.

*Obdobje razpoložljivosti rezervnih delov za popravilo aparata:

Termostati, temperaturni senzorji, tiskana vezja in svetlobni viri so na voljo najmanj sedem let po tem, ko je bila na trg dostavljena zadnja enota modela.

Ključavnice, tečajji vrat, pladnji in košare najmanj sedem let, tesnila vrat pa najmanj 10 let po tem, ko je bila na trg dostavljena zadnja enota modela.

*Za dodatne informacije o izdelku obiščite spletno mesto <https://eprel.ec.europa.eu/> ali optično preberite kodo QR na energijski nalepki, priloženi aparatu.



Haier

2023 Različica A



0060534356

<u>557 - Informacije u vezi sigurnosti</u>	Prije prve upotrebe	558
	Ugradnja	558
	Svakodnevna uporaba	559
<u>562 Namjena</u>		
<u>563 Opis proizvoda</u>		
<u>567 Upravljačka ploča</u>		
<u>568 Upotreba</u>	Podešavanje temperature hladnjaka	569
	Podešavanje temperature zamrzivača	569
	Podešavanje temperature za My Zone	569
	Funkcija Super-Cool	570
	Funkcija Super-Frz	571
<u>576 Oprema</u>		
<u>580 Savjeti za uštedu energije</u>		
<u>581 Njega i čišćenje</u>		
<u>584 Rješavanje problema</u>		
<u>588 Ugradnja</u>		
<u>592 Tehnički podaci</u>		
<u>598 Služba za korisnike</u>		



Kliknite na sadržaj kako biste vidjeli detaljne informacije.



Hvala što ste kupili proizvod Haier.

Pažljivo pročitajte ove upute prije upotrebe uređaja. Upute sadrže važne informacije koje će vam pomoći da najbolje iskoristite uređaj i osigurate sigurnu i pravilnu ugradnju, upotrebu i održavanje.

Držite ovaj priručnik na prikladnom mjestu kako biste ga uvijek mogli koristiti za sigurnu i pravilnu upotrebu uređaja.

Ako prodate uređaj, poklonite ga ili ga ostavite prilikom selidbe, obavezno prosljedite i ovaj priručnik kako bi se novi vlasnik mogao upoznati s uređajem i sigurnosnim upozorenjima.

Dodaci

Provjerite pribor i literaturu u skladu s ovim popisom:



**UPOZORENJE - važne sigurnosne informacije****OBAVIJEST - opće informacije i savjeti****Informacije o okolišu****Zbrinjavanje**

Pomaže u zaštiti okoliša i ljudskog zdravlja. Stavite ambalažu u odgovarajuće spremnike kako biste je reciklirali. Pomognite reciklirati otpad električnih i elektroničkih uređaja. Nemojte odlagati uređaje označene ovim simbolom zajedno s kućanskim otpadom. Vratite proizvod u lokalno postrojenje za recikliranje ili se obratite svom općinskom uredu.

**UPOZORENJE!**

Opasnost od ozljeda ili gušenja!

Rashladna sredstva i plinovi moraju se stručno zbrinuti. Prije pravilnog zbrinjavanja provjerite je li cijev kruga rashladnog sredstva oštećena. Odspojite uređaj s mrežnog napajanja. Odspojite kabel napajanja i odložite ga. Uklonite plitice i ladice, bravu vrata i brtve kako biste spriječili da se djeca i kućni ljubimci zatvore u uređaju.



Prije prvog uključivanja uređaja pročitajte sljedeće sigurnosne napomene!:



UPOZORENJE!

Prije prve upotrebe

- ▶ Provjerite da nema oštećenja nastalih u transportu.
- ▶ Uklonite svu ambalažu i čuvajte izvan dohvata djece.
- ▶ Pričekajte najmanje dva sata prije postavljanja uređaja kako biste osigurali potpunu učinkovitost kruga rashladnog sredstva.
- ▶ Zbog njegove težine, uređajem rukujte uz pomoć najmanje dvije osobe.

Ugradnja

- ▶ Uređaj treba staviti na dovoljno prozračeno mjesto. Osigurajte prostor od najmanje 10 cm iznad i oko uređaja.
- ▶ Uređaj ne stavljajte na vlažno mjesto ili mjesto gdje bi mogao biti poprskan vodom. Očistite i posušite mrlje od vode i druge mrlje mekom čistom krpom.
- ▶ Nemojte postavljati uređaj na mjesto pod izravnim utjecajem sunčeve svjetlosti ili u blizini izvora topline (npr. štednjaka, grijača).
- ▶ Postavite i nivelirajte uređaj na mjesto prikladno za njegovu veličinu i upotrebu.
- ▶ Na ventilacijskim otvorima u uređaju ili ugrađenoj konstrukciji ne smije biti prepreka.
- ▶ Provjerite odgovara li električno napajanje podacima na natpisnoj pločici. Ako ne odgovara, obratite se električaru.
- ▶ Za rad uređaja potreban je izvor električnog napajanja 220 – 240 V AC / 50 Hz. Neobičajena kolebanja napona mogu dovesti do neuspješnog pokretanja uređaja, oštetiti mehanizam za regulaciju temperature ili kompresor, a mogu izazvati i neobičajenu buku pri radu uređaja. U tom je slučaju potrebno ugraditi uređaj za automatsku regulaciju napona.
- ▶ Nemojte koristiti adaptere s više utikača i produžne kabele.
- ▶ Ne postavljajte više prijenosnih utičnica ili prijenosnih napajanja na stražnju stranu uređaja.
- ▶ Pazite da kabel napajanja ne zaglavljen ostane u zamrzivaču. Nemojte stati na kabel napajanja.



UPOZORENJE!

- ▶ Koristite zasebnu uzemljenu utičnicu za napajanje koja je lako dostupna. Ovaj se uređaj mora uzemljiti.
Samo za Ujedinjeno Kraljevstvo: Na kabelu za napajanje uređaja postavljen je trostruki utikač (uzemljenje) kojem odgovara standardna trostruka (uzemljena) utičnica. Nemojte ukloniti ili demontirati treći kontakt (uzemljenje). Nakon postavljanja uređaja, utikač mora biti lako dostupan.

- ▶ Ne oštećujte zatvoreni sustav rashladnog sredstva.

Svakodnevna upotreba

- ▶ Ovaj uređaj smiju upotrebljavati djeca starija od 8 godina i osobe sa smanjenim fizičkim, osjetilnim ili mentalnim sposobnostima ili nedostatkom iskustva i znanja ako su pod nadzorom ili su dobili upute u vezi sa sigurnom upotrebom uređaja te ako shvaćaju povezane opasnosti.
- ▶ Djeca u dobi od 3 do 8 godina smiju stavljati i vaditi namirnice iz rashladnih uređaja, ali ne smiju čistiti ili ugrađivati rashladne uređaje.
- ▶ Djecu mlađu od 3 godine držite podalje od uređaja, osim ako su pod stalnim nadzorom.
- ▶ Djeca se ne smiju igrati uređajem.
- ▶ Ako u blizini uređaja istječe hladan ili drugi zapaljivi plin, zatvorite ventil plina koji istječe, otvorite vrata i prozore i nemojte isključivati pa uključivati utikač kabela napajanja zamrzivača ili bilo kojeg drugog uređaja.
- ▶ Zapamtite da je uređaj podešen za rad u određenom rasponu temperature u okolini, između 10 i 43 °C. Uređaj možda neće ispravno raditi ako ga dulje vrijeme ostavite na temperaturi iznad ili ispod navedenog raspona.
- ▶ Da biste izbjegli tjelesne ozljede od pada ili strujni udar zbog doticaja s vodom, ne stavljajte nestabilne predmete (teške predmete, spremnike s vodom) na hladnjak.
- ▶ Nemojte povlačiti police na vratima. Vrata se mogu nagnuti, stalak za boce odgurnuti ili se uređaj može prevrnuti.
- ▶ Vrata otvarajte i zatvarajte samo ručkama. Razmak između vrata i između vrata i ormarića vrlo je malen. Nemojte ispružiti ruke u tim područjima kako ne biste prignječili prste. Vrata hladnjaka otvarajte i zatvarajte samo kada nema djece koja stoje unutar raspona vrata.



UPOZORENJE!

- ▶ Nemojte skladištiti ili koristiti zapaljive, eksplozivne ili korozivne materijale u uređaju ili njegovoj blizini.
- ▶ Ne čuvajte lijekove, bakterije ili kemijska sredstva u uređaju. Ovaj uređaj je kućanski uređaj. Nije preporučljivo skladištiti materijale koji zahtijevaju skladištenje na strogo propisanim temperaturama.
- ▶ U zamrzivaču ne pohranjujte tekućine u boce ili limenke (osim pića s visokim udjelom alkohola), osobito gazirana pića, jer će se tijekom zamrzavanja rasprsnuti.
- ▶ Provjerite stanje hrane ako je došlo do zagrijavanja u zamrzivaču.
- ▶ Ne postavljajte nepotrebno nisku temperaturu u odjeljku hladnjaka. Moguća je negativna temperatura pri visokim postavkama. Pozor: Boce mogu puknuti
- ▶ Nemojte dirati smrznute proizvode mokrim rukama (nosite rukavice). Posebno nemojte jesti ledene lizalice odmah nakon vađenja iz odjeljka zamrzivača. Postoji opasnost od smrzavanja ili stvaranja mjehura od leda. PRVA pomoć: odmah stavite pod mlaz vode. Ne povlačite!
- ▶ Nemojte dodirivati unutarnju površinu odjeljka zamrzivača dok radi, osobito mokrim rukama, jer vam se ruke mogu zalijepiti za smrznutu površinu.
- ▶ Isključite uređaj u slučaju prekida napajanja ili prije čišćenja. Pustite da prođe najmanje sedam minuta prije ponovnog pokretanja uređaja jer bi često pokretanje moglo oštetiti kompresor.
- ▶ Ne upotrebljavajte električne uređaje u odjeljcima za čuvanje hrane unutar uređaja, osim ako je navedenu upotrebu preporučio proizvođač. Održavanje/čišćenje
- ▶ Pobrinite se da djeca budu pod nadzorom ako obavljaju čišćenje i održavanje.
- ▶ Prije rutinskog održavanja odspojite uređaj s napajanja. Pustite da prođe najmanje pet minuta prije ponovnog pokretanja uređaja jer bi često pokretanje moglo oštetiti kompresor.

**UPOZORENJE!**

- ▶ Pri odspajanju uređaja držite utikač, a ne kabel.
- ▶ Uređaj nemojte čistiti tvrdim četkama, žičanim četkama, deterdžentom u prahu, benzinom, amil-acetatom, acetonom i sličnim organskim otopinama, kiselim ili lužnatim otopinama. Očistite posebnim deterdžentom za hladnjak kako biste izbjegli oštećenja.
- ▶ Ne stružite mraz i led oštrim predmetima. Nemojte koristiti sprejeve, električne grijače poput grijalice, sušila za kosu, parnih čistača ili drugih izvora topline kako ne bi došlo do oštećenja plastičnih dijelova.
- ▶ Ne upotrebljavajte mehaničke uređaje ili bilo kakve druge alate kako biste ubrzali postupak odleđivanja, osim onih koje je preporučio proizvođač.
- ▶ Ako je kabel za napajanje oštećen, treba ga zamijeniti proizvođač, njegov servisier ili osobe sličnih kvalifikacija da bi se izbjegla opasnost.
- ▶ Ne pokušavajte sami popravljati ili rastavljati uređaj te činiti ikakve preinake na uređaju. Ako je potreban popravak, obratite se našoj korisničkoj službi.
- ▶ Najmanje jednom godišnje uklonite prašinu na stražnjoj strani uređaja kako biste umanjili opasnost od požara i potrošnju energije.
- ▶ Nemojte prskati ili ispirati uređaj tijekom čišćenja.
- ▶ Pri čišćenju uređaja nemojte koristiti vodeni sprej ili paru.
- ▶ Nemojte čistiti hladne staklene police vrućom vodom. Staklo može puknuti zbog nagle promjene temperature.

Informacije o rashladnom plinu**UPOZORENJE!**

Uređaj sadrži zapaljivo rashladno sredstvo IZOBUTAN (R600a). Pazite da se rashladni krug ne ošteti tijekom transporta ili ugradnje. Rashladno sredstvo koje istječe može uzrokovati ozljede oka ili se zapaliti. Ako dođe do oštećenja, držite podalje od otvorenih izvora vatre, temeljito prozračite prostoriju, nemojte spajati ili odspajati kabele napajanja uređaja ili bilo kojeg drugog uređaja. Obavijestite službu za korisnike.

U slučaju dodira očiju s rashladnim sredstvom, odmah ga isperite pod tekućom vodom i odmah nazovite specijalista za oči.



Namjena

Ovaj je uređaj namijenjen hlađenju i zamrzavanju hrane. Dizajniran je isključivo za upotrebu u kućanstvima i sličnim primjenama, kao što su kuhinjski prostori za osoblje u trgovinama, uredima i drugim radnim okruženjima; seoske kuće i od strane klijenata u hotelima, motelima i drugim stambenim okruženjima, kao i u pansionima i ugostiteljstvu. Nije namijenjen za komercijalnu ili industrijsku upotrebu. Nije dozvoljeno mijenjanje i modificiranje uređaja. Nenamjerna upotreba može uzrokovati opasnosti i dovesti do gubitka prava na jamstvena potraživanja.

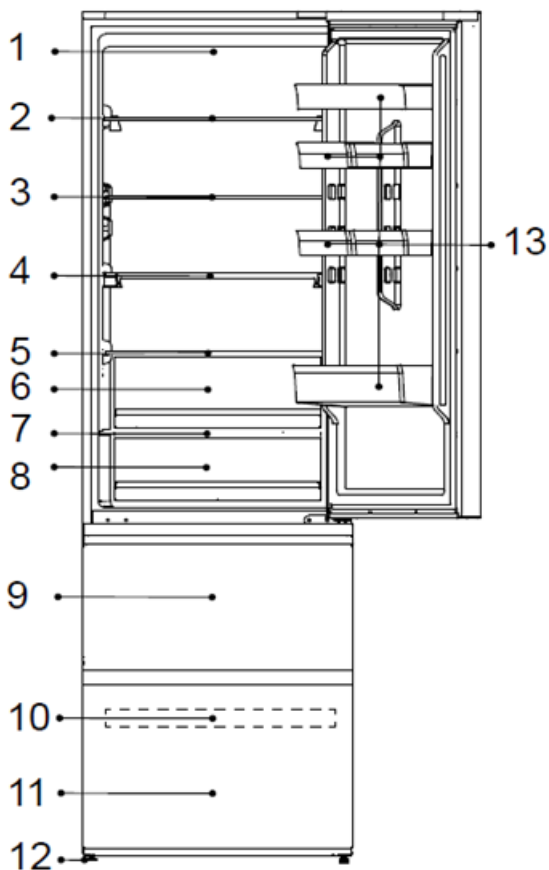
Standardi i direktive **CE**

Proizvod udovoljava zahtjevima svih primjenjivih direktiva EZ-a s odgovarajućim usklađenim normama na temelju kojih se dobiva CE oznaka.

**i** OBAVIJEST

Zbog tehničkih promjena i razlika u modelima, neke ilustracije u ovom priručniku mogu se razlikovati od vašeg modela.

(HTW5620EN*, HTW5620DN*, HTW5620CN*)



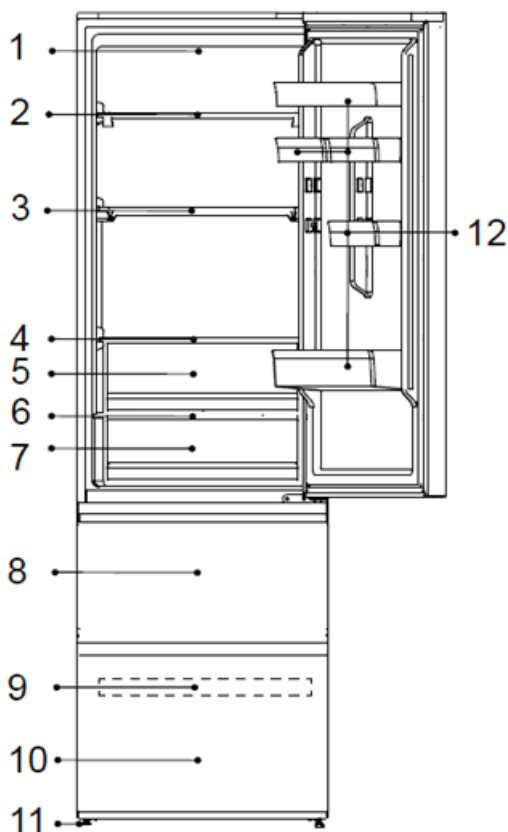
- 1 - LED žarulja hladnjaka
- 2 - polica za vino
- 3 - staklena polica
- 4 - sklopiva polica
- 5 - poklopac ladice Humidity Zone
- 6 - ladica Humidity Zone
- 7 - poklopac ladice My Zone
- 8 - ladica My Zone
- 9 - gornja ladica za skladištenje u zamrzivaču
- 10 - ladica zamrzivača
- 11 - donja ladica za skladištenje u zamrzivaču
- 12 - podeseive nožice
- 13 - police na vratima



OBAVIJEST

Zbog tehničkih promjena i razlika u modelima, neke ilustracije u ovom priručniku mogu se razlikovati od vašeg modela.

(HTW5618DN*, HTW5618CN*, HTW5618EN*)

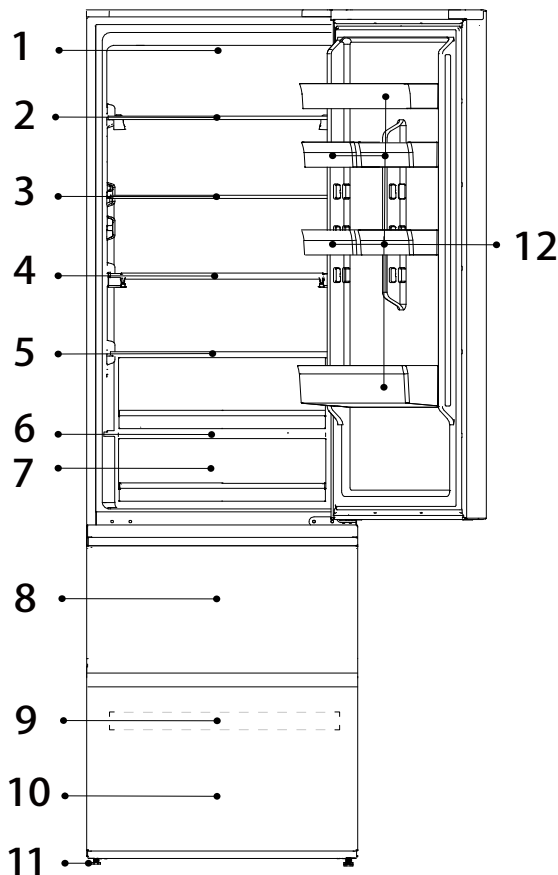


- 1 - LED žarulja hladnjaka
- 2 - polica za vino
- 3 - sklopiva polica
- 4 - poklopac ladice Humidity Zone
- 5 - ladica Humidity zone
- 6 - poklopac ladice My Zone
- 7 - ladica My Zone
- 8 - gornja ladica za skladištenje u zamrzivaču
- 9 - ladica zamrzivača
- 10 - donja ladica za skladištenje u zamrzivaču
- 11 - podesive nožice
- 12 - police na vratima


OBAVIJEST

Zbog tehničkih promjena i razlika u modelima, neke ilustracije u ovom priručniku mogu se razlikovati od vašeg modela.

(HTW3620EN*, HTW3620DN*, HTW3620CN*)



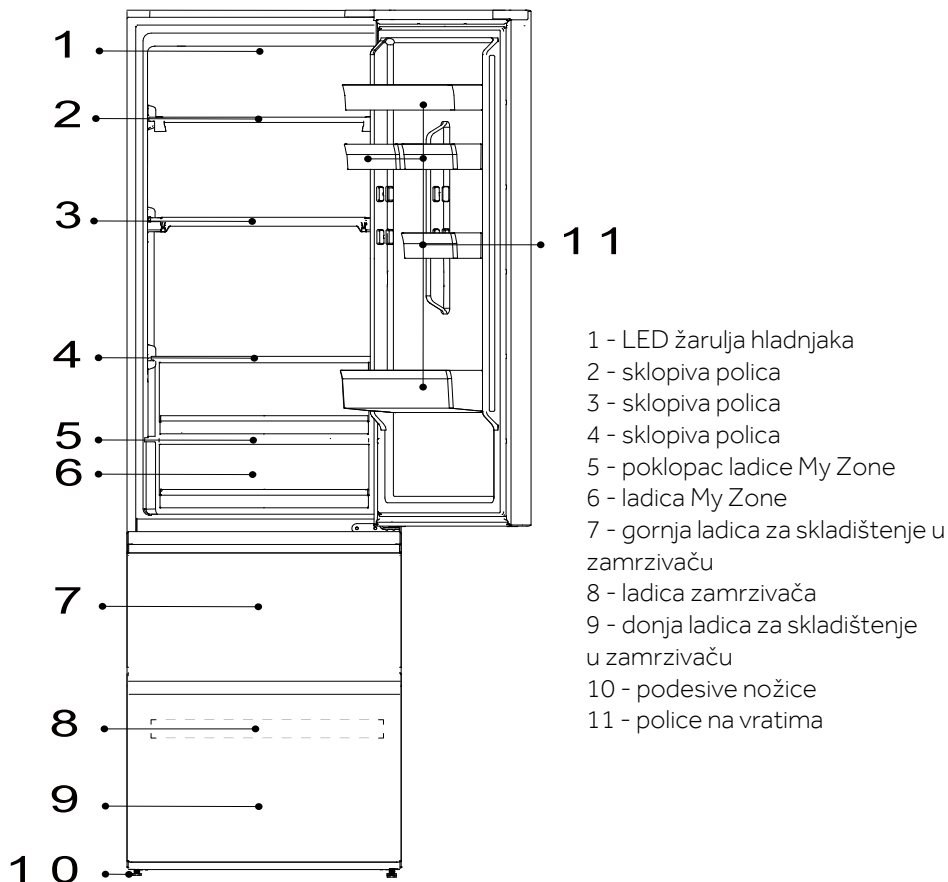
- 1 - LED žarulja hladnjaka
- 2 - sklopiva polica
- 3 - sklopiva polica
- 4 - sklopiva polica
- 5 - sklopiva polica
- 6 - poklopac ladice My Zone
- 7 - ladica My Zone
- 8 - gornja ladica za skladištenje u zamrzivaču
- 9 - ladica zamrzivača
- 10 - donja ladica za skladištenje u zamrzivaču
- 11 - podesive nožice
- 12 - police na vratima



OBAVIJEST

Zbog tehničkih promjena i razlika u modelima, neke ilustracije u ovom priručniku mogu se razlikovati od vašeg modela.

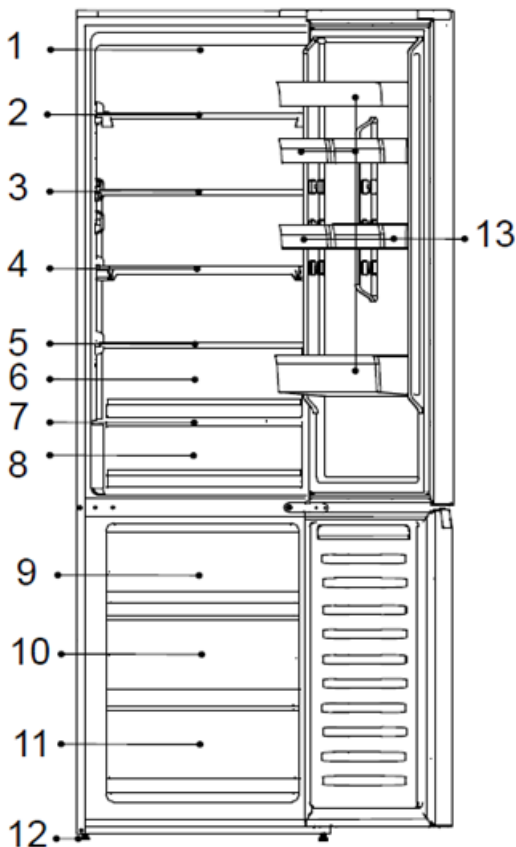
(HTW3618EN*, HTW3618DN*, HTW3618CN*)



**OBAVIJEST**

Zbog tehničkih promjena i razlika u modelima, neke ilustracije u ovom priručniku mogu se razlikovati od vašeg modela.

(HDPW5620DN*, HDPW5620CN*, HDPW5620BN*, HDPW5620AN*)

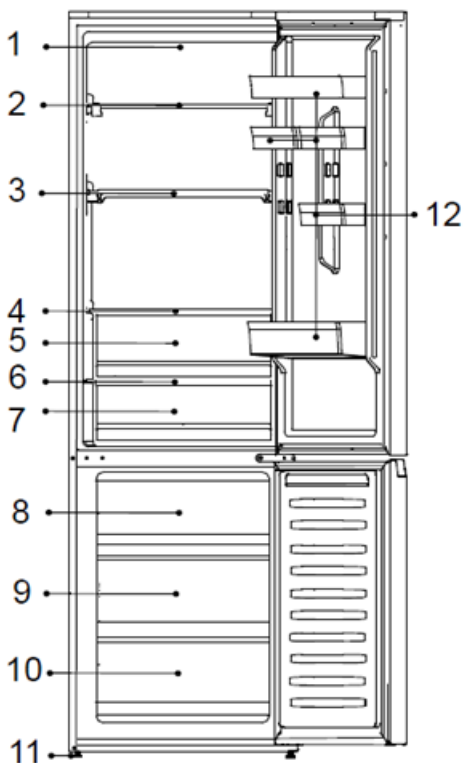


- 1 - LED žarulja hladnjaka
- 2 - polica za vino
- 3 - staklena polica
- 4 - sklopiva polica
- 5 - poklopac ladice Humidity Zone
- 6 - ladica Humidity Zone
- 7 - poklopac ladice My Zone
- 8 - ladica My Zone
- 9 - gornja ladica za skladištenje u zamrzivaču
- 10 - srednja ladica za skladištenje u zamrzivaču
- 11 - donja ladica za skladištenje u zamrzivaču
- 12 - podesive nožice
- 13 - police na vratima



OBAVIJEST

Zbog tehničkih promjena i razlika u modelima, neke ilustracije u ovom priručniku mogu se razlikovati od vašeg modela.
(HDPW5618DN*, HDPW5618CN*)

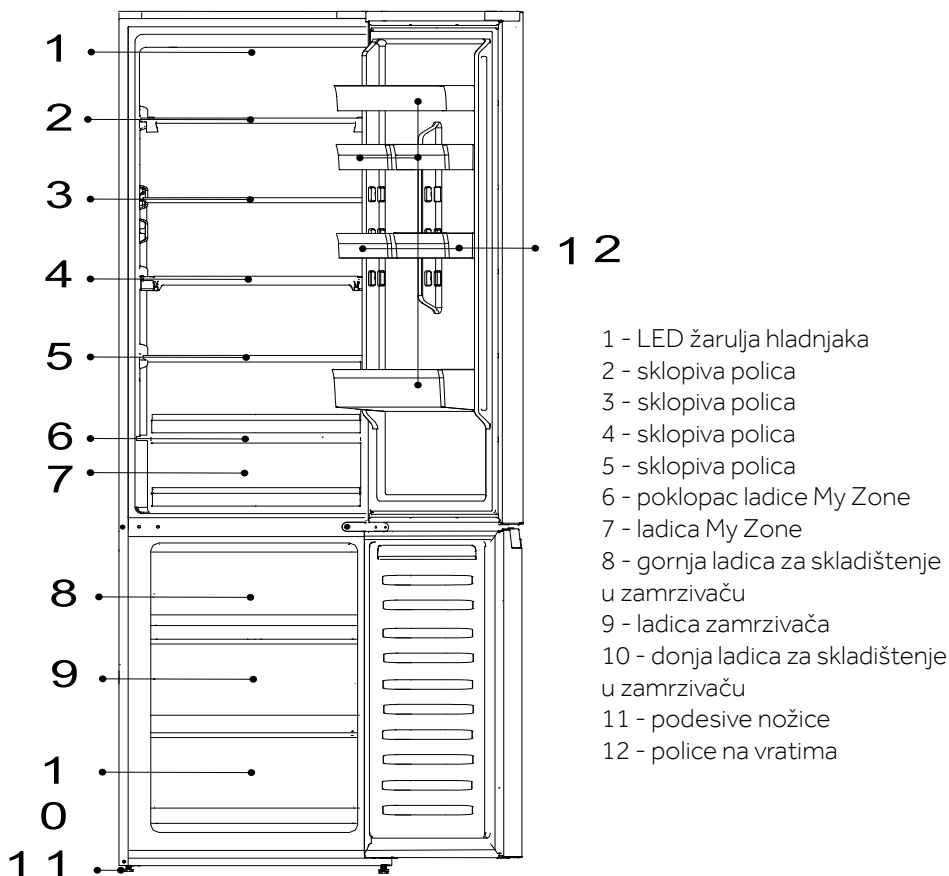


- 1 - LED žarulja hladnjaka
- 2 - polica za vino
- 3 - sklopiva polica
- 4 - poklopac ladice Humidity Zone
- 5 - ladica Humidity Zone
- 6 - poklopac ladice My Zone
- 7 - ladica My Zone
- 8 - gornja ladica za skladištenje u zamrzivaču
- 9 - srednja ladica za skladištenje u zamrzivaču
- 10 - donja ladica za skladištenje u zamrzivaču
- 11 - podesive nožice
- 12 - police na vratima


OBAVIJEST

Zbog tehničkih promjena i razlika u modelima, neke ilustracije u ovom priručniku mogu se razlikovati od vašeg modela.

(HDPW3620DN*, HDPW3620CN*)



1 - LED žarulja hladnjaka

2 - sklopiva polica

3 - sklopiva polica

4 - sklopiva polica

5 - sklopiva polica

6 - poklopac ladice My Zone

7 - ladica My Zone

8 - gornja ladica za skladištenje u zamrzivaču

9 - ladica zamrzivača

10 - donja ladica za skladištenje u zamrzivaču

11 - podesive nožice

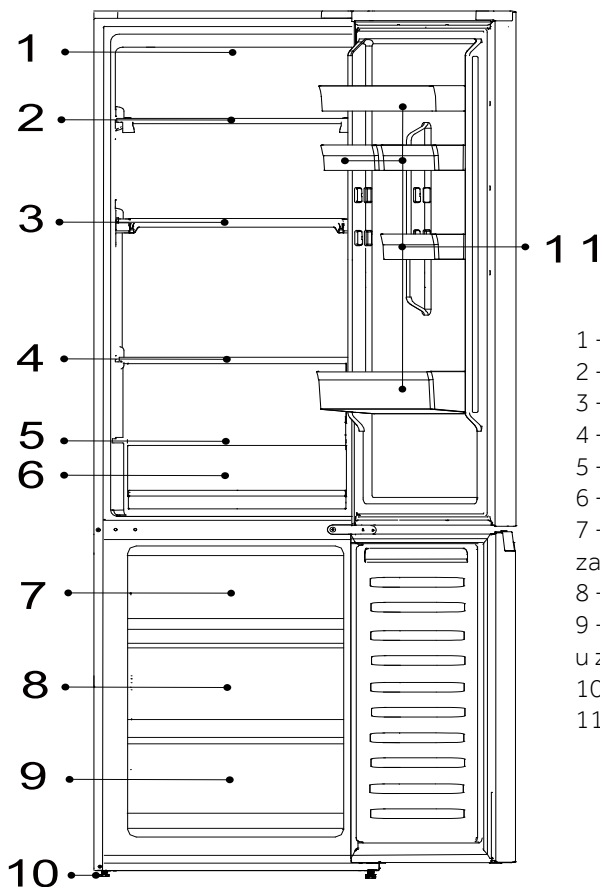
12 - police na vratima



OBAVIJEST

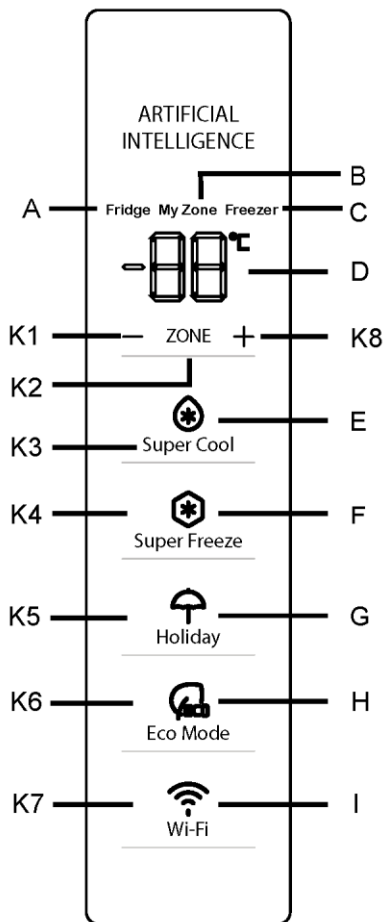
Zbog tehničkih promjena i razlika u modelima, neke ilustracije u ovom priručniku mogu se razlikovati od vašeg modela.

(HDPW3618DN*, HDPW3618CN*)



- 1 - LED žarulja hladnjaka
- 2 - sklopiva polica
- 3 - sklopiva polica
- 4 - sklopiva polica
- 5 - poklopac ladice My Zone
- 6 - ladica My Zone
- 7 - gornja ladica za skladištenje u zamrzivaču
- 8 - ladica zamrzivača
- 9 - donja ladica za skladištenje u zamrzivaču
- 10 - podesive nožice
- 11 - police na vratima

Upravljačka ploča



Indikatori:

- A Odjeljak hladnjaka
- B Odjeljak za hlađenje (My Zone)
- C Odjeljak zamrzivača
- D Pokazivač temperature
- E Funkcija Super Cool
- F Funkcija Super Freeze
- G Funkcija Holiday
- H Funkcija načina rada Eco
- I Funkcija Wi-Fi

Gumbi:

- K1 Smanjenje temperature
- K2 Odabir opcija Hladnjak, My Zone i Zamrzivač
- K3 Ukjučivanje/isključivanje funkcije Super Cool
- K4 Uključivanje/isključivanje funkcije Super Freeze
- K5 Uključivanje/isključivanje funkcije Holiday
- K6 Uključivanje/isključivanje funkcije načina rada Eco
- K7 Uključivanje/isključivanje funkcije Wi-Fi
- K8 Povećanje temperature

Prije prve upotrebe

Uklonite sav ambalažni materijal, držite ga izvan dohvata djece i odložite na ekološki prihvatljiv način.

Očistite unutrašnjost i vanjske površine uređaja, a unutrašnjost i dodatke očistite vodom i blagim deterdžentom te ih dobro osušite mekom krpom.

Nakon niveliranja i čišćenja uređaja, pričekajte najmanje 2 sata prije spajanja na napajanje. Pogledajte odjeljak UGRADNJA.

Odjeljke prethodno ohladite koristeći visoke postavke, a tek tada ih napunite hranom. Funkcija Super Freeze pomaže u brzom hlađenju odjeljka zamrzivača



Tipke senzora

Gumbi na upravljačkoj ploči su tipke senzora, koje reagiraju već kada se lagano dodirnu prstom.

Uključivanje/isključivanje uređaja

Uređaj radi odmah nakon priključivanja na izvor napajanja.

Kada se uređaj prvi put uključi, indikatori temperature „D” prikazuju unaprijed postavljene vrijednosti (pogledajte donji odjeljak Obavijest).



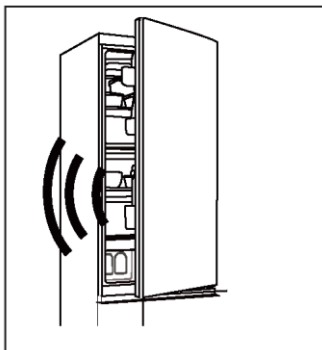
OBAVIJEST

Uređaj je prethodno podešen na preporučenu temperaturu od 5 °C (hladnjak) i - 18 °C (zamrzivač). Temperatura za My Zone postavljena je na oko 2 °C. To su preporučene postavke. Ako želite, te vrijednosti temperature možete ručno promijeniti.

Alarm za otvorena vrata

Kad su vrata hladnjaka otvorena više od 3 minute, oglasit će se alarm za otvaranje vrata.

Alarm se može isključiti zatvaranjem vrata. Ako vrata ostanu otvorena duže od 7 minuta, svjetlo unutar hladnjaka i osvijetljenje upravljačke ploče automatski će se isključiti.



Podešavanje temperature

Na unutarnje temperature utječu sljedeći čimbenici:

- ▶ Temperatura okoline
- ▶ Učestalost otvaranja vrata
- ▶ Količina uskladištene hrane
- ▶ Ugradnja uređaja



Podešavanje temperature hladnjaka

1. Pritisnite gumb „K2” (odabir opcije Hladnjak / My Zone / Zamrzivača) i odaberite odjeljak hladnjaka. Svijetle ikone „A” (odjeljak hladnjaka) i „D” (pokazivač temperature).
2. Pritisnite gumb „K1/K8” za podešavanje temperature hladnjaka.

Temperatura se povećava u koracima od 1 °C od najmanje 2 °C do najviše 8 °C. Optimalna temperatura u hladnjaku je 5 °C. Niže temperature dovode do nepotrebne potrošnje energije.

3. Nakon otprilike 5 sekundi, ikona temperature „D” (pokazivač temperature) trajno će svijetliti i postavka će biti potvrđena.

Podešavanje temperature zamrzivača

1. Pritisnite gumb „K2” (odabir opcije Hladnjak / My Zone / Zamrzivač) i odaberite odjeljak zamrzivača. Svijetle ikone „C” (odjeljak zamrzivača) i „D” (pokazivač temperature).
2. Pritisnite gumb „K1/K8” za podešavanje temperature zamrzivača.

Temperatura se povećava u koracima od 1 °C od najmanje -24 °C do najviše -16 °C. Optimalna temperatura u hladnjaku je 18 °C. Niže temperature dovode do nepotrebne potrošnje energije.

3. Nakon otprilike 5 sekundi, indikator temperature „D” (pokazivač temperature) trajno će svijetliti i postavka će biti potvrđena.

Podešavanje temperature za My Zone

Odjeljak hladnjaka opremljen je ladicom My Zone. U skladu sa zahtjevima u pogledu skladištenja hrane, možete odabrati najprikladniju temperatura za postizanje optimalne nutritivne vrijednosti hrane.

1. Pritisnite gumb „K2” (odabir opcije Hladnjak / (My Zone) / Zamrzivača) i odaberite odjeljak My Zone. Svijetle ikone „B” (odjeljak My Zone) i „D” (pokazivač temperature).
2. Pritisnite gumb „K1/K8” za podešavanje temperature za My Zone.

Temperatura se povećava u koracima od 1 °C od najmanje 0 °C do najviše 5 °C.

3. Nakon otprilike 5 sekundi, ikona temperature „D” (pokazivač temperature) trajno će svijetliti i postavka će biti potvrđena.



OBAVIJEST

1. Možete podešeti temperaturu odjeljka My Zone na srednju razinu (2 °C) želite li čuvati hranu u optimalnom okruženju za skladištenje.
2. Zbog različitog sadržaja vode u mesu, neko meso s većim udjelom vlage zamrzavat će se na temperaturama nižim od 0 °C, stoga već narezano meso pohranite u ladicu My Zone, s minimalnom temperaturom od 0 °C.
3. Voće osjetljivo na hladnoću poput ananasa, avokada, banana, grejpa i povrća poput krumpira, patlidžana, graha, krastavaca, tikvica i rajčica te sira ne smije se skladištiti u ladici My Zone.
4. Ako je temperatura hladnjaka niža od temperature područja My Zone, normalno je da je temperatura područja My Zone niža od podešene temperature za My Zone.

OBAVIJEST

Ako nakon podešavanja temperature pritisnete druge gumbе u roku od 5 sekundi, trenutačna postavka temperature odmah će se potvrditi. Ako se u roku od 5 sekundi ne izvrši nijedna radnja s gumbima, prikazuje se trenutačno podešena temperatura dok se zaslon ne isključi.

OBAVIJEST

Pomoću aplikacije moguće je prilagoditi temperaturu hladnjaka, zamrzivača i područja My Zone. Temperatura se može postaviti s osjetljivosti od 1 °C.

Funkcija Super Cool

1. Predlaže se da uključite funkciju Super Cool ako trebate pohraniti veliku količinu hrane (primjerice nakon kupnje). Funkcijom Super Cool ubrzava se hlađenje svježe hrane i štiti već pohranjena roba od nepoželjnog zagrijavanja.
2. Pritisnite gumb „K3” ili je uključite u aplikaciji, nakon čega će početi svijetliti ikona „E” (funkcija Super Cool) i aktivirat će se funkcija.



OBAVIJEST

1. Uređaj isključuje funkciju „Super Cool“ nakon ulaska u funkciju „Super Cool“ na 6 sati ili pritiskom gumba „K3“ kada ikona „E“ (funkcija Super Cool) svijetli ili je isključite u aplikaciji.
2. Ako je temperatura odjeljka hladnjaka podešena u sklopu funkcije Super Cool, trepće ikona „E“ (funkcija Super Cool) označavajući da se ovaj postupak ne može izvršiti.

Funkcija Super Freeze

1. Svježu hranu zamrznete što je prije moguće. Tako ćete sačuvati najveću nutritivnu vrijednost hrane, njen izgled i okus. Funkcijom Super Freeze ubrzava se zamrzavanje svježe hrane i štiti već pohranjena roba od nepoželjnog zagrijavanja. Ako trebate zamrznuti veliku količinu hrane odjednom, preporučujemo da postavite funkciju Super Freeze 24 sata prije upotrebe zamrznutog prostora.
2. Pritisnite gumb „K4“ (postavljanje funkcije Super Freeze) ili je uključite u aplikaciji, nakon čega će početi svijetliti ikona „F“ (funkcija Super Freeze) i funkcija će se aktivirati.



OBAVIJEST

1. Uređaj isključuje funkciju „Super Freeze“ nakon ulaska u funkciju „Super Freeze“ na 50 sati ili pritiskom gumba „K4“ kada ikona „F“ (funkcija Super Freeze) svijetli ili je isključite u aplikaciji.
2. Ako je temperatura odjeljka zamrzivača podešena u sklopu funkcije Super Freeze, trepće ikona „F“ (funkcija Super Freeze) označavajući da se ovaj postupak ne može izvršiti.

Funkcija Holiday

Funkcija Holiday može se upotrebljavati za smanjenje potrošnje energije uređaja kada se ne upotrebljava redovito. Kada je funkcija uključena, isključuje se hladnjak, a zamrzivač nastavlja normalno raditi. Ova funkcija trajno podešava temperaturu hladnjaka na 17 °C.

To omogućuje da vrata praznog hladnjaka ostanu zatvorena bez neugodnih mirisa ili plijesni tijekom dugotrajne odsutnosti (npr. tijekom odmora). Odjeljak zamrzivača možete postaviti prema vlastitim potrebama.

1. Pritisnite gumb „K5“ (uključivanje/isključivanje funkcije Holiday) ili odaberite funkciju iz aplikacije, nakon čega će početi svijetliti ikona „G“ (funkcija Holiday) i funkcija će se aktivirati.
2. Funkcija se može isključiti ponovnim pritiskom gumba „K5“ (uključivanje/isključivanje funkcije Holiday), podešavanjem temperature hladnjaka ili izvođenjem bilo koje druge postavke ili isključivanjem putem aplikacije.



OBAVIJEST

1. Kada je aktivna funkcija Holiday, u odjeljku hladnjaka ne smiju se skladištiti namirnice. Temperatura od 17 °C previsoka je za pohranu hrane.
2. Kad je funkcija Holiday uključena, ikona My Zone ostaje isključena, a funkcija hladnjaka zaključana. Ako je temperatura odjeljka hladnjaka podešena, trepće ikona „G” (funkcija Holiday) označavajući da se ova radnja ne može izvršiti.

Funkcija načina rada Eco

Način rada Eco može se aktivirati da bi se optimizirala učinkovitost uređaja, dok se dobiva najbolja pohrana hrane. Ako nemate posebne zahtjeve, preporučujemo da koristite funkciju načina rada Eco.

U ovom načinu rada temperatura hladnjaka je 5 °C, a temperatura zamrzivača -18 °C.

1. Pritisnite gumb „K6” (uključivanje/isključivanje funkcije načina rada Eco) ili odaberite funkciju u aplikaciji.
2. Ikona „H” (funkcija načina rada Eco) svijetli i funkcija je aktivirana. Ponavljanjem gore navedenih koraka ili odabirom druge ili njenim isključivanjem u aplikaciji, ova se funkcija može ponovno isključiti. Vraćaju se prethodno podešene razine hlađenja.

OBAVIJEST

Ako je temperatura odjeljka hladnjaka/zamrzivača podešena u sklopu funkcije načina rada Eco, trepće ikona „H” (funkcija načina rada Eco) označavajući da se ova radnja ne može izvršiti.

1. korak Preuzmite aplikaciju hOn u nekoj od trgovina.



2. korak Izradite svoj račun pomoću aplikacije hOn ili prijavite se ako već imate račun.



3. korak Pridržavajte se uputa za uparivanje u aplikaciji hOn.



Funkcija Wi-Fi

1. Pridržavajte se uputa u aplikaciji za konfiguriranje Wi-Fi mreže.
2. Nakon što se konfigurira mreža Wi-Fi i uspostavi veza, ikona Wi-Fi "I" stalno će svijetliti.
3. Ako se mreža Wi-Fi već konfigurirala, automatski se ponovno povezuje u skladu s informacijama o konfiguriranju ako se uključi Wi-Fi.



OBAVIJEST

1. Želite li isključiti funkciju Wi-Fi, pritisnite gumb „K7” nakon čega će se isključiti ikona „I” funkcije Wi-Fi.
2. Želite li uključiti funkciju Wi-Fi i pokrenuti konfiguraciju, pritisnite gumb „K7” funkcije Wi-Fi nakon čega će ikona „I” funkcije Wi-Fi početi polako treptati. Za ponovno konfiguriranje funkcije Wi-Fi pritisnite gumb „K7” i zadržite ga 3 sekunde - ikona funkcije Wi-Fi početak će brzo treptati i ući će u način rada konfiguracije. Želite li isključiti funkciju Wi-Fi, jednom pritisnite gumb „K7”. Gore navedeni koraci se ponavljaju.
3. Ako je uređaj konfiguriran, a funkcija Wi-Fi isključena, hladnjak neće ući u način rada konfiguracije nakon ponovnog spajanja na napajanje.



OBAVIJEST

1. Ovaj proizvod nije namijenjen za komercijalnu upotrebu.
2. Maksimalna RF izlazna snaga: 2,4 GHz Wi-Fi: 16dBm;
3. Bluetooth® Low Energy: 5dBm; Bluetooth® (BR/EDR): 10dBm.
4. Frekvencijski pojas rada: 2400 - 2483,5 MHz.



Riječ i logotipi Bluetooth® registrirani su zaštitni znakovi u vlasništvu tvrtke Bluetooth SIG, Inc. i svaka upotreba tih znakova od strane Candy Hoover Group SRL temelji se na licenci. Ostali zaštitni znakovi i trgovačka imena vlasništvo su njihovih vlasnika.

Čuvanje u odjeljku hladnjaka

- Održavajte temperaturu hladnjaka ispod 5 °C.
- Vruća hrana mora se ohladiti na sobnu temperaturu prije stavljanja u uređaj.
- Hranu treba oprati i osušiti prije spremanja u hladnjak.
- Hrana koja se sprema mora se ispravno zabrtviti kako bi se izbjegle promjene mirisa ili okusa.
- Nemojte skladištiti pretjerane količine hrane. Ostavite slobodnog prostora između hrane kako biste omogućili da hladni zrak protječe oko nje radi boljeg i ujednačenijeg rashlađivanja.
- Hranu koja se jede svakodnevno čuvajte na prednjoj strani police.
- Ostavite prazninu između hrane i unutarnjih stijenki kako biste omogućili protok zraka. Nemojte pohranjivati hranu uz stražnju stijenku jer bi se hrana mogla na njoj zamrznuti. Izbjegavajte izravan dodir hrane (osobito masne ili kisele hrane) s unutarnjom oblogom jer je ulje/kiselina može nagristi. Očistite masnu/kiselu prljavštinu kad god je uočite.
- Zamrznuta hrana može se lagano odmrznuti u odjeljku hladnjaka. Time štedite energiju.
- Proces starenja voća i povrća kao što su tikvice, dinje, papaja, banana, ananas itd. može se ubrzati u hladnjaku. Stoga se ne preporučuje da tu hranu čuvate u hladnjaku. Međutim, dozrijevanje veoma zelenog voća može se pospješiti u određenom razdoblju. Luk, češnjak, đumbir i ostalo korjenasto povrće također se treba čuvati na sobnoj temperaturi.
- Neugodni mirisi u hladnjaku znak su da se nešto prosulo i da je potrebno čišćenje. Pogledajte odjeljak Njega i čišćenje.
- Različite namirnice stavlajte u različita područja, ovisno o njihovim svojstvima.

Skladištenje u odjeljku zamrzivača

- Održavajte temperaturu zamrzivača na -18 °C.
- 24 sata prije zamrzavanja uključite funkciju Super-Freeze. Za male količine hrane dovoljno je 4 do 6 sati.
- Vruća hrana mora se prvo ohladiti na sobnu temperaturu prije stavljanja u odjeljak zamrzivača.
- Hrana izrezana u manje komade brže će se zamrznuti i lakše će se odmrznuti i skuhati. Preporučena težina svakog komada manja je od 2,5 kg
- Bolje je zapakirati hranu prije stavljanja u zamrzivač. Vanjska strana pakiranja mora biti suha kako bi se izbjeglo sljepljivanje vrećica. Ambalažni materijali moraju biti bez mirisa, nepropusni za zrak, neotrovni i netoksični.
- Kako biste izbjegli istek razdoblja skladištenja, na pakiranje zabilježite datum zamrzavanja, rok upotrebe i naziv namirnice u skladu s razdobljima skladištenja različite hrane.



UPOZORENJE!

- ▶ Kiselina, lužina, sol itd. mogu nagristi unutarnju površinu zamrzivača.
- ▶ Ne stavljajte hranu koja sadrži te tvari (npr. morsku ribu) izravno na unutarnju površinu. Slana voda u zamrzivaču mora se odmah očistiti.
- ▶ Nemojte hranu čuvati duže od razdoblja koje je preporučio proizvođač. Izvadite samo potrebnu količinu hrane iz zamrzivača.
- ▶ Brzo konzumirajte odmrznutu hranu. Odmrznutu hranu ne može se ponovno zamrznuti osim ako se prvo ne skuha, inače može postati nejestiva.
- ▶ Nemojte stavljati prekomjerne količine svježe hrane u zamrzivač. Pogledajte kapacitet zamrzivača - pogledajte TEHNIČKE PODATKE ili podatke na nazivnoj pločici.
- ▶ Hrana se može čuvati u zamrzivaču na temperaturi od najmanje -18 °C dva do dvanaest mjeseci, ovisno o njezinim svojstvima (npr. meso: 3 - 12 mjeseci, povrće: 6 - 12 mjeseci)
- ▶ Prilikom zamrzavanja svježe hrane izbjegavajte dodir s već zamrznutom hranom. Opasnost od odmrzavanja!

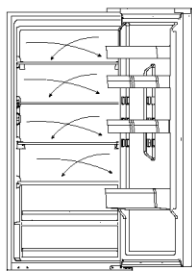
Prilikom čuvanja komercijalno smrznute hrane slijedite ove smjernice:

- Slijedite smjernice proizvođača u vezi vremena skladištenja hrane. Ne prekoračujte te smjernice!
- Nastojte da vrijeme između kupnje i skladištenja bude što kraće kako biste očuvali kvalitetu hrane.
- Kupite smrznutu hranu koja se čuva na temperaturi od -18 °C ili nižoj.
- Nemojte kupovati hranu koja sadrži led ili mraz na pakiranju - to je znak da su proizvodi možda djelomično odmrznuti i ponovno zamrznuti - porast temperature utječe na kvalitetu hrane.



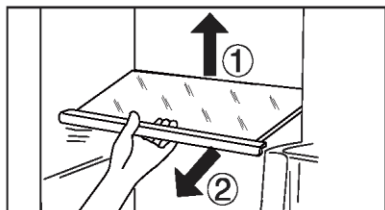
i OBAVIJEST

Zbog razlika u modelima, vaš proizvod možda nema sve sljedeće značajke. Pogledajte poglavlje Opis Proizvoda.



Višestruki protok zraka

Hladnjak je opremljen sustavom s višestrukim protokom zraka zbog kojega na svakoj razini police struji hladan zrak. To pomaže u održavanju ujednačene temperature i svježine hrane.



Podesiva police

1. Visina police može se prilagoditi vašim potrebama za skladištenjem.
2. Želite li premjestiti policu, prvo je uklonite podizanjem stražnjeg ruba ① pa je izvucite ②.
3. Da biste je ponovno postavili, stavite je na jezičice s obje strane i gurnite u krajnji stražnji položaj dok se stražnja strana police ne učvrsti unutar utora na bočnim stranama

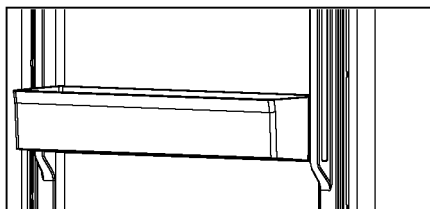
i OBAVIJEST

Provjerite jesu li svi krajevi police poravnati.

Uklonjive police na vratima

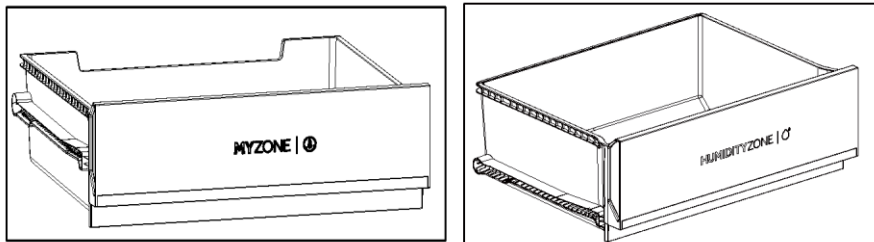
Police na vratima mogu se ukloniti radi čišćenja:

Stavite ruke na obje strane police, podignite je prema gore (1) i izvucite (2). Prilikom ponovnog postavljanja police na vratima provedite opisane korake obrnutim redoslijedom.



Ladica My Zone

Prilikom upotrebe i podešavanja odjeljka My Zone, pratite upute u odjeljku UPOTREBA (My Zone).



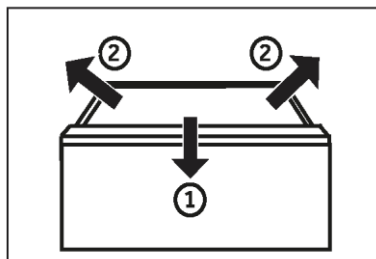
Ladica Humidity zone

Sustav automatski regulira razinu vlažnosti u ovom odjeljku pa je prikladan za pohranu voća, povrća, salata itd.

Uklonjiva ladica

Za vađenje ladice iz hladnjaka ili odjeljka zamrzivača u najvećoj mogućoj mjeri (1), podignite i izvadite (2).

Prilikom ponovnog postavljanja ladice provedite opisane korake obrnutim redoslijedom.



Ladica zamrzivača

Ladice zamrzivača mogu se izvući ravno i to do samog kraja. Montiraju se na teleskopsku vodilicu koja se lako uklanja i postavlja. Tako možete bez poteškoća pohraniti i ukloniti zamrznute namirnice. Zahvaljujući automatskom mehanizmu za zatvaranje vrata rukovanje je jednostavno i štedi energiju.



UPOZORENJE!

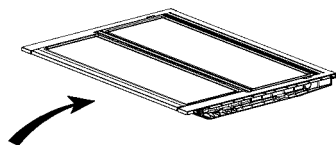
Nemojte prenatrpati ladice: Maksimalni kapacitet svake ladice: 35 kg!

Svjetlo

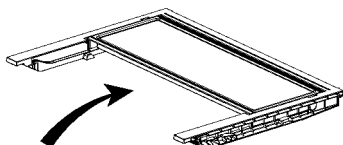
Unutrašnje LED svjetlo uključuje se kada otvorite vrata. Na rad svjetala ne utječe nijedna druga postavka uređaja.

Sklopiva polica

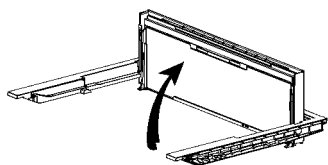
Sklopiva polica korisniku omogućuje stavljanje visokih boca ili predmeta na police. Polica se može preklopiti sa stražnje strane, čime se povećava raspoloživi prostor donje police. Polica se može preklopiti praćenjem koraka 1 do 3. Ako je želite vratiti na izvorno mjesto, provedite korake obrnutim redoslijedom.



1. korak: Polako gurnite prednju stranu police do kraja.



2. korak: Polako gurnite policu prema gore u njen vertikalni položaj.



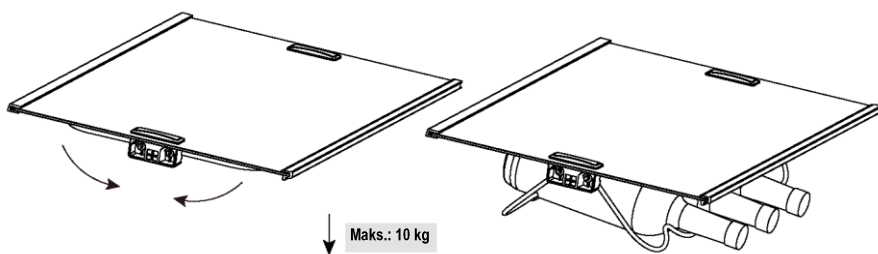
3. korak: Polica je vertikalna. To će uštedjeti prostor.

Sklopivi stalak za vino

Za normalnu upotrebu

1. Povucite prema dolje nosače staka za boce
2. Stavite boce na stalak

Stalak za vino kada ne koristite možete preklopiti kako biste uštedjeli na prostoru.





Savjeti za uštedu energije

- ▶ Provjerite je li uređaj pravilno prozračen (pogledajte odjeljak UGRADNJA).
- ▶ Nemojte postavljati uređaj na mjesto pod izravnim utjecajem sunčeve svjetlosti ili u blizini izvora topline (npr. štednjaka, grijača).
- ▶ Izbjegavajte nepotrebno nisku temperaturu u uređaju. Potrošnja energije povećava se sa smanjenjem postavljene temperature u uređaju.
- ▶ Funkcije kao što je SUPER FREEZE troše više energije.
- ▶ Pričekajte da se hrana ohladi prije stavljanja u uređaj.
- ▶ Što manje i što kraće otvarajte vrata uređaja.
- ▶ Nemojte prepuniti uređaj kako ne biste otežali protok zraka.
- ▶ Pripazite da u pakiranju hrane nema zraka.
- ▶ Brtve vrata održavajte čistima tako da se vrata pravilno zatvaraju.
- ▶ Odmrznite zamrznutu hranu u odjeljku hladnjaka ili upotrijebite funkciju D-Frost u ladici My Zone.
- ▶ Konfiguracija koja najviše štedi energiju podrazumijeva postavljanje ladice, kutije za hranu i polica u uređaj u položaju kao u tvornici te postavljanje hrane tako da nije zapriječen izlazni otvor za zrak u vodu.



UPOZORENJE!

Čišćenje

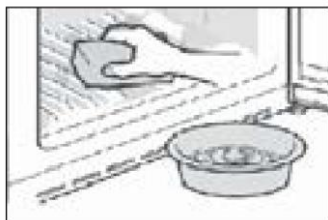
Očistite uređaj kad je spremljeno samo malo ili nimalo hrane.

Uređaj se treba očistiti svaka četiri tjedna radi dobrog održavanja i sprječavanja nastanka neugodnih mirisa skladištene hrane.



UPOZORENJE!

- ▶ Uređaj nemojte čistiti tvrdim četkama, žičanim četkama, deterdžentom u prahu, benzinom, amil-acetatom, acetonom i sličnim organskim otopinama, kiselim ili lužnatim otopinama. Očistite posebnim deterdžentom za hladnjak kako biste izbjegli oštećenja.
- ▶ Nemojte prskati ili ispirati uređaj tijekom čišćenja.
- ▶ Pri čišćenju uređaja nemojte koristiti vodeni sprej ili paru.
- ▶ Nemojte čistiti hladne staklene police vrućom vodom. Staklo može puknuti zbog nagle promjene temperature.
- ▶ Ne dodirujte unutarnju površinu odjeljka zamrzivača, osobito mokrim rukama, jer se vaše ruke mogu zalijepiti na smrznutu površini.
- ▶ U slučaju zagrijavanja provjerite stanje smrznutih namirnica.



- ▶ Brtva vrata uvijek mora biti čista.
- ▶ Očistite unutrašnjost i kućište uređaja spužvom navlaženom toplom vodom i neutralnim deterdžentom.
- ▶ 1. Očistite unutrašnjost i vanjske površine hladnjaka, uključujući brtve vrata, police na vratima, staklene police, kutije i tako dalje. Koristite mekani ručnik ili spužvu natopljenu toplom vodom (možete dodati neutralni deterdžent u toplu vodu).
- ▶ 2. Ako se prolje tekućina, uklonite sve onečišćene dijelove, izravno ih isperite tekućom vodom, osušite i vratite u hladnjak.
- ▶ 3. Ako se prolje kremasti sadržaj (kao što je vrhnje, sladoled koji se topi), uklonite sve onečišćene dijelove, stavite u toplu vodu temperature oko 40 °C na neko vrijeme, zatim isperite tekućom vodom, osušite i vratite u hladnjak.
- ▶ 4. U slučaju da se neki mali dio ili komponenta zaglavi unutar hladnjaka (između policia ili ladaica), oslobodite ga malom mekom četkom. Ako ne možete doći do dijela, obratite se korisničkoj službi tvrtke Haier
- ▶ Isperite i osušite mekom krpom.
- ▶ Nijedan dio uređaja nemojte čistiti u perilici posuđa.
- ▶ Pustite da prođe najmanje pet minuta prije ponovnog pokretanja uređaja jer bi često pokretanje moglo oštetiti kompresor.

Odmrzavanje

Odmrzavanje odjeljaka hladnjaka i zamrzivača obavlja se automatski, nije potreban ručni rad. Zamjena LED svjetla



UPOZORENJE!

Nemojte sami mijenjati LED žarulju, smije je zamijeniti samo proizvođač ili ovlašteni serviser.

Žarulje usvajaju LED kao izvor svjetlosti, s niskom potrošnjom energije i dugim vijekom trajanja. Ako postoji bilo kakva nepravilnost, obratite se službi za korisnike. Pogledajte odjeljak SLUŽBA ZA KORISNIKE.

Parametri lampi:

Dio	LED svjetiljka
Napon	12 V
Maksimalna snaga	1,5 W
Specifikacije za LED	Bijela - 2835
Razred učinkovitosti LED žarulje	G
Temperatura pri upotrebi	-40 ~ 80 C

Dugotrajno nekorištenje

Ako se uređaj ne koristi dulje vrijeme i nećete koristiti funkciju Holiday za hladnjak:

Izvadite hranu.

Iskopčajte utikač za napajanje.

Očistite uređaj sukladno navedenim uputama.

Držite vrata otvorena kako biste spriječili stvaranje neugodnih mirisa.



OBAVIJEST

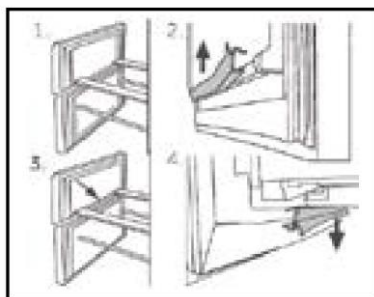
Isključite uređaj samo ako je to zaista potrebno.

Uklonjive pomoćne brtve vrata

Na gornjoj i donjoj ladici zamrzivača nalazi se šest pomoćnih brtvi vrata.

1. Postavite pet navedenih brtvi vrata na gornju i donju ladicu zamrzivača.
2. Prilikom pričvršćivanja provjerite jesu li savijeni dijelovi brtvi usmjereni prema unutra.
3. Postavite donju brtvu gornje ladice kako je prikazano.
4. Prilikom pričvršćivanja provjerite je li savijeni dio ove brtve okrenut prema dolje.

Služba za korisnike isporučit će vam dvodijelne brtve kao i brtve rotirajućih vrata / ladica (pogledajte jamstveni list).



Premještanje uređaja

1. Uklonite svu hranu i iskopčajte uređaj.
2. Učvrstite police i druge pomične dijelove u hladnjaku i zamrzivaču ljepljivom trakom.
3. Ne naginjte hladnjak za više od 45° kako ne biste oštetili rashladni sustav.



UPOZORENJE!

- ▶ Nemojte podizati uređaj držeći ga za ručke.
- ▶ Uređaj ne postavljajte vodoravno na tlo.



Većinu problema koji se pojave možete riješiti sami bez pomoći stručnjaka. U slučaju nastanka problema, provjerite sve prikazane mogućnosti i slijedite upute u nastavku prije obraćanja postprodajnoj službi. Pogledajte odjeljak SLUŽBA ZA KORISNIKE.



UPOZORENJE!

- ▶ Prije održavanja, deaktivirajte uređaj i odvojite mrežni utikač iz mrežne utičnice.
- ▶ Električnu opremu smiju servisirati samo kvalificirani električni stručnjaci, jer nepravilni popravci mogu uzrokovati znatna posljedična oštećenja.
- ▶ Oštećeni kabel za napajanje treba zamijeniti proizvođač, njegov serviser ili osobe sličnih kvalifikacija da bi se izbjegla opasnost.

Tablica za rješavanje problema

Problem	Mogući uzrok	Moguće rješenje
Kompresor ne radi.	Utikač za električnu mrežu nije utaknut u utičnicu električne mreže.	Priključite utikač za električnu mrežu.
	Uređaj se nalazi u ciklusu odmrzavanja.	To je normalno za automatsko odmrzavanje.
Uređaj se često pokreće ili radi predugo.	Unutarnja ili vanjska temperatura previsoka je.	U tom je slučaju normalno da uređaj radi dulje.
	Uređaj je bio bez napajanja neko vrijeme.	Obično je potrebno 8 do 12 sati da se uređaj u potpunosti ohladi.
	Ladica ili vrata uređaja nisu dobro zatvorena.	Zatvorite vrata/ladicu i pobrinite se da se uređaj nalazi na ravnoj površini i da hrana ili spremnik ne blokiraju vrata.
	Vrata/ladica su/je otvarana prečesto ili predugo.	Ne otvarajte vrata/ladicu prečesto.
	Postavka temperature za odjeljak zamrzivača je preniska.	Povećavajte temperaturu dok ne dosegnete zadovoljavajuću temperaturu hladnjaka. Potrebno je 24 sata da temperatura postane stabilna.
	Brtva vrata/ladice je prljava, istrošena, napuknuta ili nepravilno postavljena.	Očistite brtvu vrata/ladice ili je zamijenite u službi za korisnike.
	Potrebna cirkulacija zraka nije osigurana.	Osigurajte odgovarajuću ventilaciju.



Problem	Mogući uzrok	Moguće rješenje
Unutrašnjost hladnjaka prijava je i/ili smrdi.	Potrebno je očistiti unutrašnjost hladnjaka.	Očistite unutrašnjost hladnjaka.
	Hrana snažnog mirisa čuva se u hladnjaku.	Temeljito omotajte hranu.
U unutrašnjosti uređaja nije dovoljno hladno.	Temperatura je postavljena na previsoku vrijednost.	Resetirajte temperaturu
	Pohranjena je pretopla hrana.	Uvijek ohladite hranu prije pohranjivanja.
	Istodobno je pohranjeno previše hrane.	Uvijek pohranite manju količinu hrane.
	Namirnice su preblizu jedna drugoj.	Ostavite razmak između nekoliko namirnica kako bi zrak mogao strujati.
	Ladica ili vrata uređaja nisu dobro zatvorena.	Zatvorite vrata/ladicu.
	Vrata/ladica su/je otvarana prečesto ili predugo.	Ne otvarajte vrata/ladicu prečesto.
U unutrašnjosti uređaja je prehladno.	Temperatura je postavljena na prenisku vrijednost.	Resetirajte temperaturu.
	Funkcija Super Freeze aktivirana je ili predugo radi.	Isključite funkciju Super Freeze.
Stvaranje vlage na unutarnjoj strani odjeljka hladnjaka.	Klima je previše topla ili previše vlažna.	Povećajte temperaturu.
	Ladica ili vrata uređaja nisu dobro zatvorena.	Zatvorite vrata/ladicu.
	Vrata/ladica su/je otvarana prečesto ili predugo.	Ne otvarajte vrata/ladicu prečesto.
	Otvoreni su spremnici hrane ili tekućine.	Pričekajte da se vruća hrana ohladi na sobnu temperaturu i pokrijte hranu i tekućine.
Vlaga se nakuplja na vanjskoj površini hladnjaka ili između vrata / vrata i ladice.	Klima je previše topla ili previše vlažna.	Ovo je uobičajeno u vlažnoj klimi i promijenit će se kada se vlažnost smanji.
	Ladica ili vrata nisu dobro zatvorena.	Pobrinite se da su vrata ili ladica dobro zatvoreni/a.



Problem	Mogući uzrok	Moguće rješenje
Mnogo leda i mraz u odjeljku zamrzivača.	Hrana nije primjereno zapakirana.	Dobro zapakirajte hranu.
	Zatvoreno.	
	Vrata/ladica su/je otvarana prečesto ili predugo.	Ne otvarajte vrata/ladicu prečesto.
	Brtva vrata/ladice je prijava, istrošena, napuknuta ili nepravilno postavljena.	Očistite brtve vrata/ladice ili ih zamijenite novima.
	Nešto u unutrašnjosti onemogućava pravilno zatvaranje vrata/ladice.	Premjestite police, police na vratima ili unutarnje spremnike kako bi se vrata/ladica mogla zatvoriti.
Uređaj proizvodi neobične zvukove.	Uređaj se ne nalazi na ravnom tlu.	Podesite nožice za niveliranje uređaja.
	Uređaj dodiruje neki predmet u svojoj okolini.	Uklonite predmete oko uređaja.
Čuje se blagi zvuk, sličan tekućoj vodi.	To je normalno.	/
Čut ćete zvučni signal alarma.	Otvorena su vrata odjeljka za skladištenje u hladnjaku.	Zatvorite vrata ili ručno utišajte alarm.
Čut ćete slabo zujanje.	Radi sustav za sprječavanje kondenzacije.	Time se sprječava kondenzacija i to je normalna pojava.
Unutarnji sustav osvjetljenja ili rashlađivanja ne radi.	Utikač za električnu mrežu nije utaknut u utičnicu električne mreže	Priključite utikač za električnu mrežu.
	Napajanje nije potpuno ispravno.	Provjerite dovod električne energije u prostoriju. Nazovite lokalnu tvrtku za električnu energiju!
	LED žarulja neispravna je.	Nazovite službu radi promjene žarulje.
Bočne strane ormarića i trake vrata zagrijavaju se.	To je normalno.	/
Iz dozatora za vodu ne izlazi voda	Zaključavanje nije deaktivirano.	Deaktivirajte bravu



Prekid napajanja

- ▶ U slučaju nestanka struje, hrana bi trebala ostati hladna oko 13 sati. Slijedite savjete u nastavku tijekom dužeg prekida napajanja, posebice ljeti.
- ▶ Ne stavljajte dodatnu hranu u uređaj tijekom prekida napajanja.
- ▶ Ako ste prethodno obaviješteni o prekidu napajanja, a prekid traje dulje od 13 sati, napravite malo leda i stavite ga u spremnik u na gornjoj polici u odjeljku hladnjaka.
- ▶ Odmah nakon prekida napajanja potrebno je pregledati namirnice.
- ▶ Kako temperatura u hladnjaku raste tijekom prekida napajanja ili drugog kvara, smanjuje se razdoblje skladištenja i jestivost hrane. Hrana koja se odmrzne treba se konzumirati ili skuhati i ponovno zamrznuti (ako je primjereno) kako bi se spriječili rizici po zdravlje.



OBAVIJEST

Funkcija memorije tijekom prekida napajanja

Nakon povratka napajanja, uređaj nastavlja raditi na postavkama podešenima prije prekida napajanja.

Obratite se službi za tehničku pomoć putem našeg web-mjesta: <https://corporate.haier-europe.com/en/>

Pod odjeljkom „mrežno mjesto“ odaberite robnu marku svojeg proizvoda i svoju državu.

Preusmjerit će vas se na konkretno web-mjesto gdje možete pronaći telefonski broj i druge načine za obraćanje službi za tehničku pomoć.



Raspakiranje



UPOZORENJE!

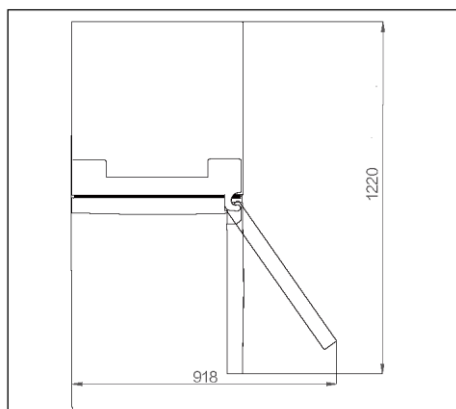
- ▶ Uređaj je težak. Njime moraju rukovati barem dvije osobe.
- ▶ Držite sav ambalažni materijal izvan dohvata djece i zbrinite ga na ekološki prihvatljiv način.
- ▶ Izvadite uređaj iz pakiranja.
- ▶ Uklonite sav ambalažni materijal.

Uvjeti u okolini

Sobna temperatura mora biti stalno između 10 °C i 43 °C jer može utjecati na temperaturu unutar uređaja i njegovu potrošnju energije. Ne ugrađujte uređaj blizu drugih uređaja koji zrače toplinu (pećnice, hladnjaci) bez izolacije.

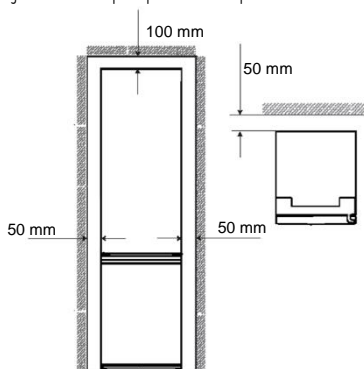
Preporuka prostora

Preporučeni prostor kada su vrata otvorena.



Presjek ventilacije

Kako bi se postigla dovoljna ventilacija uređaja iz sigurnosnih razloga, preporučujemo da se pridržavate smjernica za preporučeni prostor.

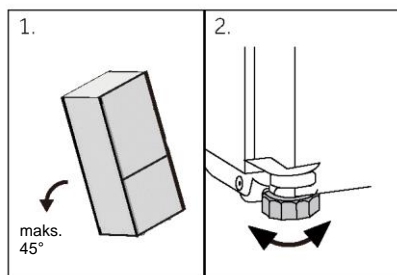


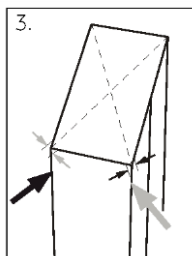
Poravnavanje uređaja

Uređaj treba postaviti na ravnu i čvrstu površinu.

1. Nagnite hladnjak malo unatrag.
2. Podesite nožice na željenu razinu.

Provjerite je li uređaj udaljen od zida na strani šarke najmanje 100 mm kako bi se vrata mogla pravilno otvarati.



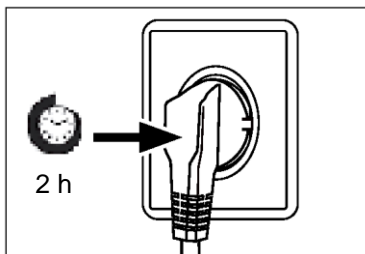


1. Stabilnost se može provjeriti naizmjeničnim udarcima po dijagonalama. Uređaj se smije ljuljati u jednakoj mjeri u oba smjera. U suprotnom se može iskriviti okvir, što može dovesti do propuštanja brtvi na vratima. Mali otklon unatrag olakšava zatvaranje vrata.



OBAVIJEST

Za samostojeći uređaj: ovaj rashladni uređaj nije namijenjen za upotrebu kao ugradbeni uređaj



Vrijeme čekanja

Ulje za podmazivanje bez održavanja nalazi se u kapsuli kompresora. Ovo ulje može proći kroz zatvoreni sustav cijevi tijekom transporta u nagnutom položaju. Prije spajanja uređaja na napajanje pričekajte najmanje 2 sata kako bi se ulje vratilo u kapsulu.

Spajanje električnih priključaka

Prije svakog spajanja provjerite:

- ▶ Jesu li napajanje, utičnica i osigurač u skladu s natpisnom pločicom.
- ▶ Je li utičnica uzemljena i da nema produžnog kabela s više utikača.
- ▶ Jesu li utikač i utičnica strogo usklađeni.

Spojite utikač na propisno ugrađenu utičnicu za kućanstvo.



UPOZORENJE!

Kako biste izbjegli opasnosti, oštećeni kabel napajanja mora zamijeniti služba za korisnike (pogledajte jamstveni list).



Reverzibilnost vrata

Prije spajanja uređaja na električno napajanje, provjerite je li potrebno promijeniti smjer otvaranja vrata s onog udesno (tako je uređaj isporučen) na smjer ulijevo, ako to zahtijeva mjesto ugradnje i upotreba.



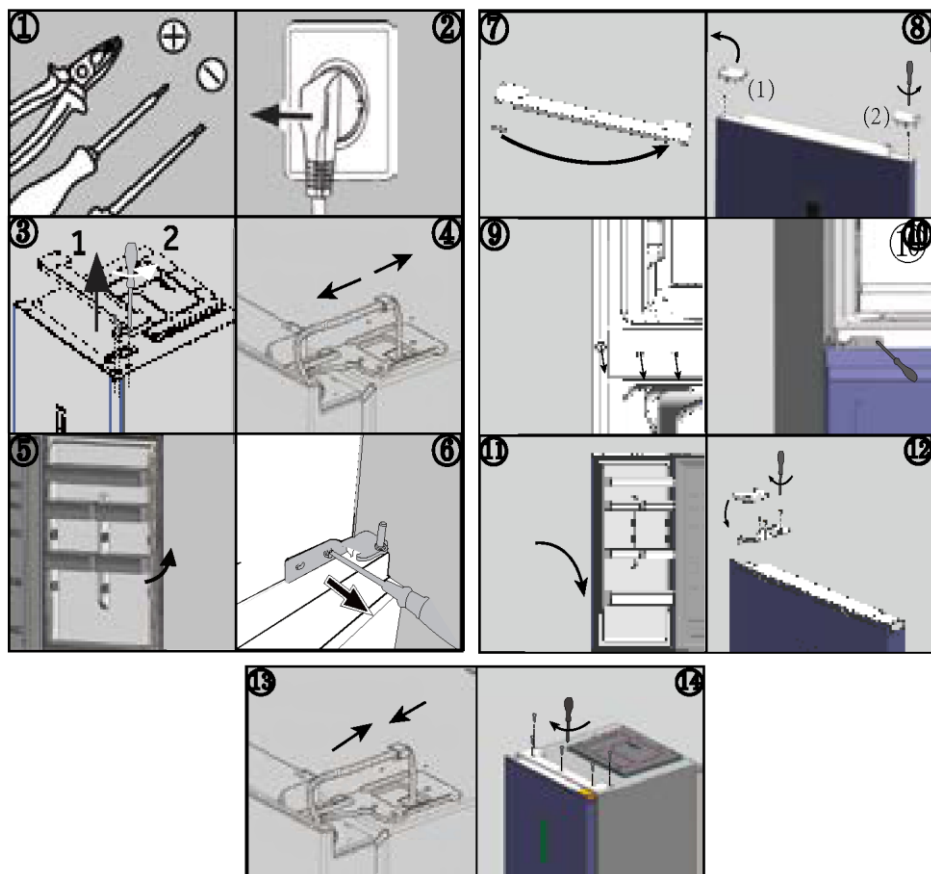
UPOZORENJE!

- ▶ Uređaj je težak. Za primjenu funkcije reverzibilnosti vrata potrebne su dvije osobe.
- ▶ Odspojite uređaj s napajanja prije svake upotrebe
- ▶ Nemojte naginjati uređaj za više od 45 ° kako se ne bi oštetio rashladni sustav.

Postupak montaže

1. Pribavite potreban alat.
2. Odspojite uređaj iz napajanja.
3. Uklonite poklopac gornje šarke (1) i odvrnite gornju šarku (tri vijka) na desnoj strani 2.
4. Iskopčajte priključni kabel
5. Pažljivo podignite olabavljena vrata hladnjaka sa srednje šarke.
6. Uklonite srednju šarku.
7. Uklonite mali poklopac prednje ploče s lijeve na desnu stranu.
8. Okrenite vrata naopako i odvrnite poklopac (1). Izvadite novi poklopac (2) iz potrebne vrećice i pričvrstite ih na suprotnu stranu.
9. Promijenite položaje slijepih čepova i vijka na strani.
10. Zavrните srednju šarku na lijevu stranu uređaja. Obratite pažnju na okretanje okretnog zgloba srednje šarke, pazeći da je strana s brtvom okrenuta prema gore
11. Pažljivo podignite gornja vrata na srednjoj šarki. I pobrinite se da se zakretna osovina uklapa u cijev šarke donjih vrata.
12. Izvadite novu gornju šarku i poklopac šarke iz vrećice s priborom. Provučite priključni kabel kroz gornju šarku i pričvrstite gornju šarku pomoću tri vijka na lijevoj strani uređaja. Stavite poklopac šarke preko same šarke.
13. Priključite priključni kabel.
14. Zamijenite prednju ploču i pričvrstite je s pet vijaka.

Nakon promjene vrata, provjerite jesu li brtve vrata pravilno postavljene na kućištu i jesu li svi vijci dobro zategnuti.



Temperatura okoline

Prošireni umjereni: ovaj je rashladni uređaj namijenjen upotrebi pri temperaturama okoline od 10 °C do 32 °C

Umjereni: ovaj je rashladni uređaj namijenjen upotrebi pri temperaturama okoline od 16 °C do 32 °C;

Suptropski: ovaj je rashladni uređaj namijenjen upotrebi pri temperaturama okoline od 16 °C do 38 °C;

Tropski: ovaj je rashladni uređaj namijenjen upotrebi pri temperaturama okoline od 16 °C do 43 °C.



Parametri proizvoda prema Uredbi (EU) 2019/2016

Na temelju standardnih rezultata ispitivanja tijekom 24 sata. Stvarna potrošnja energije ovisi o tome kako se uređaj koristi i gdje se nalazi

Model	HTW5618DN*	HTW5620DN*	HTW5618EN*
Vrsta rashladnog uređaja	Hladnjak-zamrzivač	Hladnjak-zamrzivač	Hladnjak-zamrzivač
Razred energetske učinkovitosti	D	D	E
Godišnja potrošnja energije (kWh/godišnje)	217	226	271
Zapremnina odjeljka hladnjaka (L)	201	255	201
Zapremnina odjeljka zamrzivača (L)	125	125	125
Zapremnina rashladnog odjeljka (L)	34	34	34
Razred zamrzavanja	4 zvjezdice	4 zvjezdice	4 zvjezdice
Vrsta odmrzavanja	Automatsko odmrzavanje	Automatsko odmrzavanje	Automatsko odmrzavanje
Vrijeme porasta temperature (h)	13	13	11
Kapacitet zamrzavanja (kg/24 h)	10,0	10,0	10,0
Klimatski razred	SN.N.ST.T	SN.N.ST.T	SN.N.ST.T
Razred emisije buke i emisije akustične buke u zraku (dB(A) re 1pW)	B(35)	B(35)	B(35)



Model	HTW5618CN*	HTW5620CN*	HTW5620EN*
Vrsta rashladnog uređaja	Hladnjak-zamrzivač	Hladnjak-zamrzivač	Hladnjak-zamrzivač
Razred energetske učinkovitosti	C	C	E
Godišnja potrošnja energije (kWh/godišnje)	173	181	283
Zapremnina odjeljka hladnjaka (L)	201	255	255
Zapremnina odjeljka zamrzivača (L)	125	125	125
Zapremnina rashladnog odjeljka (L)	34	34	34
Razred zamrzavanja	4 zvjezdice	4 zvjezdice	4 zvjezdice
Vrsta odmrzavanja	Automatsko odmrzavanje	Automatsko odmrzavanje	Automatsko odmrzavanje
Vrijeme porasta temperature (h)	13	13	11
Kapacitet zamrzavanja (kg/24 h)	10.0	10.0	10.0
Klimatski razred	SN.N.ST.T	SN.N.ST.T	SN.N.ST.T
Razred emisije buke i emisije akustične buke u zraku (dB(A) re 1pW)	B(35)	B(35)	B(35)



Model	HDPW5618DN*	HDPW5620DN*	HDPW3620DN*
Vrsta rashladnog uređaja	Hladnjak-zamrzivač	Hladnjak-zamrzivač	Hladnjak-zamrzivač
Razred energetske učinkovitosti	D	D	D
Godišnja potrošnja energije (kWh/godišnje)	214	220	220
Zapremnina odjeljka hladnjaka (L)	201	255	255
Zapremnina odjeljka zamrzivača (L)	117	117	117
Zapremnina rashladnog odjeljka (L)	34	34	34
Razred zamrzavanja	4 zvjezdice	4 zvjezdice	4 zvjezdice
Vrsta odmrzavanja	Automatsko odmrzavanje	Automatsko odmrzavanje	Automatsko odmrzavanje
Vrijeme porasta temperature (h)	13	13	13
Kapacitet zamrzavanja (kg/24 h)	10.0	10.0	10.0
Klimatski razred	SN.N.ST.T	SN.N.ST.T	SN.N.ST.T
Razred emisije buke i emisije akustične buke u zraku (dB(A) re 1pW)	B(35)	B(35)	B(35)



Model	HDPW3618DN*	HDPW3620CN*	HTW3620DN*
Vrsta rashladnog uređaja	Hladnjak-zamrzivač	Hladnjak-zamrzivač	Hladnjak-zamrzivač
Razred energetske učinkovitosti	D	D	D
Godišnja potrošnja energije (kWh/godišnje)	214	176	226
Zapremnina odjeljka hladnjaka (L)	201	255	255
Zapremnina odjeljka zamrzivača (L)	117	117	125
Zapremnina rashladnog odjeljka (L)	34	34	34
Razred zamrzavanja	4 zvjezdice	4 zvjezdice	4 zvjezdice
Vrsta odmrzavanja	Automatsko odmrzavanje	Automatsko odmrzavanje	Automatsko odmrzavanje
Vrijeme porasta temperature (h)	13	13	13
Kapacitet zamrzavanja (kg/24 h)	10.0	10.0	10.0
Klimatski razred	SN.N.ST.T	SN.N.ST.T	SN.N.ST.T
Razred emisije buke i emisije akustične buke u zraku (dB(A) re 1pW)	B(35)	B(35)	B(35)



Model	HDPW5618CN*	HDPW5620CN*	HDPW5620AN*
Vrsta rashladnog uređaja	Hladnjak-zamrzivač	Hladnjak-zamrzivač	Hladnjak-zamrzivač
Razred energetske učinkovitosti	C	C	A
Godišnja potrošnja energije (kWh/godišnje)	171	176	114
Zapremnina odjeljka hladnjaka (L)	201	255	255
Zapremnina odjeljka zamrzivača (L)	117	117	120
Zapremnina rashladnog odjeljka (L)	34	34	34
Razred zamrzavanja	4 zvjezdice	4 zvjezdice	4 zvjezdice
Vrsta odmrzavanja	Automatsko odmrzavanje	Automatsko odmrzavanje	Automatsko odmrzavanje
Vrijeme porasta temperature (h)	13	13	16
Kapacitet zamrzavanja (kg/24 h)	10,0	10,0	10,0
Klimatski razred	SN.N.ST.T	SN.N.ST.T	SN.N.ST.T
Razred emisije buke i emisije akustične buke u zraku (dB(A) re 1pW)	B(35)	B(35)	B(35)



Dodatni tehnički podaci

Model	HTW5618DN*	HTW5618EN*	HTW5620DN*
Ukupna zapreminna (L)	360	360	414
Napon/frekvencija	220 - 240 V ~ / 50 Hz	220 - 240 V ~ / 50 Hz	220 - 240 V ~ / 50 Hz
Ulazna struja (A)	1,4	1,4	1,4
Glavni osigurač (A)	16	16	16
Rashladno sredstvo	R600a (53 g)	R600a (53 g)	R600a (53 g)
Dimenzije (Š/D/V u mm)	595*667*1850	595*667*1850	595*667*2050

Model	HTW5618CN*	HTW5620CN*	HTW5620EN*
Ukupna zapreminna (L)	360	414	414
Napon/frekvencija	220~240V/50Hz	220~240V/50Hz	220~240V/50Hz
Ulazna struja (A)	1.4	1.4	1.4
Glavni osigurač (A)	15	15	16
Rashladno sredstvo	R600a(50g)	R600a(50g)	R600a(53g)
Dimenzije (Š/D/V u mm)	595*667*1850	595*667*2050	595*667*2050



Model	HDPW5618DN*	HDPW5620DN*	HDPW3620DN*
Ukupna zapremnina (L)	352	406	406
Napon/frekvencija	220~240V/50Hz	220~240V/50Hz	220~240V/50Hz
Ulazna struja (A)	1,4	1,4	1,4
Glavni osigurač (A)	16	16	16
Rashladno sredstvo	R600a(53g)	R600a(53g)	R600a(53g)
Dimenzije (Š/D/V u mm)	595*667*1850	595*667*2050	595*667*2050

Model	HDPW5618CN*	HDPW5620CN*	HDPW5620AN*
Ukupna zapremnina (L)	352	406	409
Napon / frekvencija	220 - 240 V ~ / 50 Hz	220 - 240 V ~ / 50 Hz	220 - 240 V ~ / 50 Hz
Ulazna struja (A)	1,4	1,4	1,4
Glavni osigurač (A)	15	15	15
Rashladno sredstvo	R600a (50g)	R600a (50g)	R600a (50g)
Dimenzije (Š/D/V u mm)	595*667*1850	595*667*2050	595*667*2050



Model	HDPW5618CN*	HDPW5620CN*	HDPW5620AN*
Ukupna zapremnina (L)	352	406	409
Napon / frekvencija	220~240V/50Hz	220~240V/50Hz	220~240V/50Hz
Ulazna struja (A)	1.4	1.4	1.4
Glavni osigurač (A)	15	15	16
Rashladno sredstvo	R600a(50g)	R600a(50g)	R600a(50g)
Dimenzije (Š/D/V u mm)	595*667*1850	595*667*2050	595*667*2050



Preporučujemo službu za korisnike tvrtke Haier i korištenje originalnih rezervnih dijelova. Ako imate problema s uređajem, prvo pogledajte odjeljak RJEŠAVANJE PROBLEMA.

Ako tamo ne možete pronaći rješenje, obratite se

- ▶ vašem lokalnom distributeru ili
- ▶ našem Europskom pozivnom servisnom centru (pogledajte navedene telefonske brojeve u nastavku) ili
- ▶ ili idite na stranicu za servis i podršku na web-mjestu www.haier.com gdje možete aktivirati zahtjev
- ▶ za servisom i pronaći odgovore na česta pitanja.

Da biste stupili u kontakt s našim servisom, provjerite jesu li vam dostupni sljedeći podaci. Te ćete podatke pronaći na nazivnoj pločici.

Model _____

Serijski broj _____

Također provjerite jamstveni list isporučen s proizvodom u slučaju da imate jamstvo.

Europski pozivni servisni centar		
Država*	Telefonski broj	Troškovi
Haier Italy (IT)	199 100 912	
Haier Spain (ES)	902 509 123	
Haier Germany (DE)	0180 5 39 39 99	<ul style="list-style-type: none"> • 14 ct/min za fiksni telefon • maks. 42 ct/min za mobilne uređaje
Haier Austria (AT)	0820 001 205	<ul style="list-style-type: none"> • 14,53 ct/min za fiksni telefon • maks. 20 ct/min za sve ostale
Haier United Kingdom (UK)	0333 003 8122	
Haier France (FR)	0980 406 409	



* Za ostale države pogledajte web-mjesto www.haier.com

Haier Europe Trading S.r.l

Podružnica UK

Westgate House, Westgate, Ealing

London, W5 1YY

* Trajanje jamstva za rashladni uređaj:

Minimalno trajanje jamstva: 2 godine za države članice EU, 3 godine za Tursku, 1 godinu za Ujedinjeno Kraljevstvo, 1 godinu za Rusiju, 3 godine za Švedsku, 2 godine za Srbiju, 5 godina za Norvešku, 1 godinu za Maroko, 6 mjeseci za Alžir, dok za Tunis nema pravnog jamstva.

* Razdoblje za rezervne dijelove za popravak uređaja:

„Termostati, senzori temperature, tiskane pločice i svjetlosni izvori dostupni su u razdoblju od barem sedam godina nakon plasiranja posljednje jedinice modela na tržište.

Ručke vrata, šarke, police i košare dostupne su barem sedam godina, a brtve vrata barem 10 godina nakon plasiranja posljednje jedinice modela na tržište.

* Dodatne informacije o proizvodu možete pronaći na adresi <https://eprel.ec.europa.eu/> ili skeniranjem QR koda s energetske naljepnice isporučene s uređajem.



Haier

Verzija A za 2023



0060534356

<u>603 Bezpečnostné informácie</u>	<u>Pred prvým použitím</u>	604
	<u>Inštalácia</u>	604
	<u>Každodenné používanie</u>	605
<u>608 Určené použitie</u>		
<u>609 Opis výrobku</u>		
<u>613 Ovládací panel</u>		
<u>614 Použitie</u>	<u>Úprava teploty chladničky</u>	615
	<u>Úprava teploty mrazničky</u>	615
	<u>Úprava teploty priestoru My Zone</u>	615
	<u>Funkcia Super-Cool</u>	616
	<u>Funkcia Super-Frz</u>	617
<u>622 Vybavenie</u>		
<u>626 Tipy na úsporu energie</u>		
<u>627 Starostlivosť a čistenie</u>		
<u>630 Riešenie problémov</u>		
<u>634 Inštalácia</u>		
<u>638 Technické údaje</u>		
<u>644 Zákaznícky servis</u>		



Kliknutím na obsah zobrazíte podrobné informácie.



Ďakujeme za zakúpenie produktu Haier.

Pred použitím tohto spotrebiča si pozorne prečítajte tieto pokyny. Pokyny obsahujú dôležité informácie, ktoré vám pomôžu vyťažiť zo spotrebiča maximum a zaistia bezpečnú a správnu inštaláciu, používanie a údržbu.

Túto príručku uschovajte na vhodnom mieste, aby ste si mohli kedykoľvek prečítať pokyny na bezpečné a správne používanie spotrebiča.

Ak spotrebič predávate, darujete alebo ho nechávate v domácnosti po odsťahovaní, nezabudnite s ním novému vlastníkovi odovzdať aj túto príručku, aby sa mohol oboznámiť so spotrebičom a bezpečnostnými upozoreniami.

Príslušenstvo

Skontrolujte príslušenstvo a dokumentáciu podľa tohto zoznamu:





VAROVANIE – Dôležité bezpečnostné informácie



POZNÁMKA – Všeobecné informácie a tipy



Informácie o životnom prostredí



Likvidácia

Pomáhajte chrániť životné prostredie a zdravie ľudí. Obal vyhodte do vhodných nádob na recykláciu. Pomáhajte recyklovať odpad z elektrických a elektronických prístrojov. Spotrebiče označené týmto symbolom nelikvidujte s domácim odpadom. Výrobok odneste do miestneho recyklačného strediska alebo kontaktujte mestský úrad.



VAROVANIE!

Nebezpečenstvo poranenia alebo zadusenia!

Chladivá a plyny sa musia likvidovať profesionálnym spôsobom. Pred správnou likvidáciou sa uistite, že nie je poškodené potrubie okruhu chladiva. Spotrebič odpojte od elektrickej siete. Odrežte a zlikvidujte napájací kábel. Vyberte podnosy a zásuvky, ako aj západku a tesnenie dverí, aby ste zabránili zatvoreniu detí a domácich zvierat vnútri spotrebiča.



Pred prvým zapnutím spotrebiča si prečítajte nasledujúce bezpečnostné pokyny:



VAROVANIE!

Pred prvým použitím

- ▶ Uistite sa, že sa spotrebič pri preprave nepoškodil.
- ▶ Odstráňte všetky obaly a uložte ich mimo dosahu detí.
- ▶ Pred inštaláciou spotrebiča počkajte najmenej dve hodiny, aby sa zabezpečila plná účinnosť chladiaceho okruhu.
- ▶ Spotrebič musia prenášať minimálne dve osoby, pretože je ťažký.

Inštalácia

- ▶ Spotrebič musí byť umiestnený na dobre vetranom mieste. Nad spotrebičom a v jeho okolí musíte zabezpečiť minimálne 10 cm priestor.
- ▶ Spotrebič nikdy neumiestňujte na vlhké miesto ani na miesto, kde by mohla striekať voda. Postriekania vodou a škvrnny vyčistite a osušte mäkkou čistou handričkou.
- ▶ Spotrebič neinštalujte na priame slnečné svetlo ani do blízkosti zdrojov tepla (napr. kachle, ohrievače).
- ▶ Spotrebič nainštalujte a vyrovnajte na mieste, ktoré je vhodné svojou veľkosťou a využitím.
- ▶ Vetracie otvory v spotrebiči alebo v zabudovanej konštrukcii udržiavajte bez prekážok.
- ▶ Uistite sa, že elektrické údaje na typovom štítku sa zhodujú s údajmi pre vašu sieť. V opačnom prípade kontaktujte elektrikára.
- ▶ Spotrebič je napájaný zo siete 220-240 VAC/50 Hz. Abnormálne kolísanie napätia môže spôsobiť, že sa spotrebič nezapne, poškodí sa regulátor teploty alebo kompresor alebo sa môže pri prevádzke vyskytnúť neobvyklý hluk. V takom prípade musíte namontovať automatický regulátor.
- ▶ Nepoužívajte adaptéry s viacerými zásuvkami ani predlžovacie káble.
- ▶ Na zadnú stranu spotrebiča neumiestňujte rozvodné prenosné zásuvky ani prenosné zdroje napájania.
- ▶ Uistite sa, že napájací kábel nie je zachytený v chladničke. Na napájací kábel nestúpajte.



VAROVANIE!

- ▶ Použite samostatnú uzemnenú zásuvku, aby k nej bol zabezpečený jednoduchý prístup. Spotrebič musí byť uzemnený.
Len pre Spojené kráľovstvo: Napájací kábel spotrebiča je vybavený 3-káblovou (uzemňovacou) zástrčkou, ktorá sa hodí do štandardnej 3-káblovej (uzemnenej) zásuvky. Tretí kolík (uzemnenie) nikdy neodrezávajte ani neodstraňujte. Po inštalácii spotrebiča musí byť zástrčka prístupná.

- ▶ Nepoškodte chladiaci okruh.

Každodenné používanie

- ▶ Deti staršie ako 8 rokov a osoby s obmedzenými fyzickými, zmyslovými alebo duševnými schopnosťami alebo nedostatkom skúseností či vedomostí môžu tento spotrebič používať pod dohľadom, resp. po poučení a oboznámení sa s bezpečným spôsobom používania a porozumení možným nebezpečenstvám.
- ▶ Deti vo veku od 3 do 8 rokov môžu do chladiacich spotrebičov nakladať a vykladať potraviny, nesmú ich však čistiť ani inštalovať.
- ▶ Deťom do 3 rokov nedovoľte, aby sa priblížili ku spotrebiču, pokiaľ nie sú pod neustálym dohľadom.
- ▶ Deti sa so spotrebičom nesmú hrať.
- ▶ Ak do blízkosti spotrebiča uniká studený plyn alebo iný horľavý plyn, zatvorte ventil unikajúceho plynu, otvorte dvere a okná a neodpájajte zástrčku napájacieho kábla chladničky ani iného zariadenia.
- ▶ Všimnite si, že spotrebič je nastavený na prevádzku v špecifickom klimatickom pásme 10 až 43 °C. Spotrebič možno nebude fungovať správne, ak sa ponechá dlho v prostredí s teplotou, ktorá je vyššia alebo nižšia než je uvedený rozsah.
- ▶ Na chladničku neumiestňujte nestabilné predmety (ťažké predmety, nádoby naplnené vodou), aby nedošlo k zraneniu osôb následkom pádu alebo úrazu elektrickým prúdom po kontakte s vodou.
- ▶ Neťahajte za police vo dverách. Dvere by sa mohli skriviť, stojan na fľaše odtrhnúť alebo by sa spotrebič mohol prevrátiť.
- ▶ Dvere otvárajte a zatvárajte iba pomocou rúkovaťí. Medzera medzi dverami a medzi dverami a skrinkou je veľmi úzka. Do týchto priestorov nesiahajte, aby nedošlo k pricviknutiu prstov. Dvere chladničky otvárajte alebo zatvárajte iba vtedy, ak v rozsahu pohybu dverí nestoja žiadne deti.

**VAROVANIE!**

- ▶ V spotrebiči ani v jeho blízkosti neskladujte a nepoužívajte horľavé, výbušné alebo korozívne materiály.
- ▶ V spotrebiči neskladujte lieky, baktérie ani chemické látky. Tento spotrebič je spotrebič pre domácnosť. Neodporúča sa skladovať materiály, ktoré vyžadujú presné teploty.
- ▶ V mrazničke nikdy neskladujte tekutiny vo fľašiach alebo v plechovkách (okrem liehovín s vysokým obsahom alkoholu), najmä sýtené nápoje, pretože tieto počas mrazenia prasknú.
- ▶ Ak došlo v mrazničke k ohrevu, skontrolujte stav potravín.
- ▶ V chladiacom priestore nenastavujte zbytočne nízku teplotu. Pri vysokých nastaveniach sa môžu vyskytnúť mínusové teploty. Pozor: Flaše môžu prasknúť
- ▶ Zmrazených potravín sa nedotýkajte mokrými rukami (nasadte si rukavice). Najmä nekonzumujte nanuky ihneď po vybratí z mrazničky. Existuje riziko primrznutia alebo vytvorenia pluzgierov z mrazu. PRVÁ pomoc: ihneď umiestnite pod tečúcu studenú vodu. Neodstraňujte ťahaním!
- ▶ Počas prevádzky sa nedotýkajte vnútorného povrchu priestoru mrazničky, najmä nie mokrými rukami, pretože by vám mohli ruky primrznúť k povrchu.
- ▶ V prípade prerušenia napájania alebo pred čistením odpojte spotrebič zo zásuvky. Pred opätovným zapnutím spotrebiča počkajte najmenej 7 minút, pretože časté štartovanie môže poškodiť kompresor.
- ▶ Vo vnútri boxov spotrebiča, ktoré slúžia na skladovanie potravín, nepoužívajte elektrické zariadenia, pokiaľ ich používanie neschválil výrobca. Údržba/čistenie
- ▶ Keď čistenie a údržbu vykonávajú deti, nenechávajú ich bez dozoru.
- ▶ Pred vykonávaním akejkoľvek bežnej údržby odpojte spotrebič od elektrickej siete. Pred opätovným zapnutím spotrebiča počkajte najmenej 5 minút, pretože časté štartovanie môže poškodiť kompresor.



VAROVANIE!

- ▶ Pri odpájaní spotrebiča chyťte zástrčku, nie kábel.
- ▶ Spotrebič nečistite tvrdými kefami, drôtenými kefami, čistiacim práškom, benzínom, amylacetátom, acetónom ani podobnými organickými roztokmi, kyselinami ani zásadami. Čistite pomocou špeciálneho čistiaceho prostriedku na chladničky, aby ste zabránili poškodeniu.
- ▶ Námrazu a ľad nezoškrabávajte ostrými predmetmi. Nepoužívajte spreje, elektrické ohrievače ako ohrievač, sušič vlasov, parné čističe alebo iné zdroje tepla, aby nedošlo k poškodeniu plastových častí.
- ▶ Na urýchlenie odmrazovania nepoužívajte mechanické nástroje ani iné prostriedky s výnimkou tých, ktoré odporúča výrobca.
- ▶ Ak je poškodený vonkajší napájací kábel, v záujme eliminácie akéhokoľvek rizika ho musí vymeniť výrobca, jeho servisný zástupca alebo rovnako kvalifikovaná osoba.
- ▶ Spotrebič sa nepokúšajte sami opravovať, rozoberať alebo upravovať. V prípade opravy kontaktujte náš zákaznícky servis.
- ▶ Aspoň raz za rok odstráňte prach zo zadnej strany jednotky, aby ste predišli nebezpečenstvu požiaru a zvýšenej spotrebe energie.
- ▶ Počas čistenia na spotrebič nestriekajte ani ho neoplachujte.
- ▶ Na čistenie spotrebiča nepoužívajte prúd vody ani paru.
- ▶ Studené sklenené poličky neumývajte horúcou vodou. Náhla zmena teploty môže spôsobiť rozbitie skla.

Informácie o chladiacom plyne



VAROVANIE!

Spotrebič obsahuje horľavé chladiivo IZOBUTÁN (R600a). Uistite sa, že sa počas prepravy alebo inštalácie nepoškodil chladiaci okruh. Unikajúce chladiivo môže spôsobiť poranenie očí alebo vznietenie. Ak došlo k poškodeniu, udrzte zdroj otvoreného ohňa mimo dosahu, dôkladne vyvetrajte miestnosť a nepripájajte ani neodpájajte napájacie káble spotrebiča alebo akéhokoľvek iného spotrebiča. Informujte zákaznícky servis.

V prípade, že sa dostane chladiivo do kontaktu s očami, ihneď ich vypláchnite pod tečúcou vodou a okamžite kontaktujte očného lekára.



Určené použitie

Tento spotrebič je určený na chladenie a mrazenie potravín. Bol navrhnutý výhradne na použitie v domácnostiach a podobných aplikáciách, ako sú kuchynské priestory pre zamestnancov v obchodoch, kanceláriách a iných pracovných prostrediach; vo farmárskych domoch, pre zákazníkov v hoteloch, moteloch a iných obytných priestoroch, ako aj pre zákazníkov ubytovacích a stravovacích služieb. Nie je určený na komerčné ani priemyselné použitie. Zmeny alebo úpravy spotrebiča nie sú povolené. Neúmyselné použitie môže spôsobiť nebezpečenstvo a stratu nárokov na záruku.

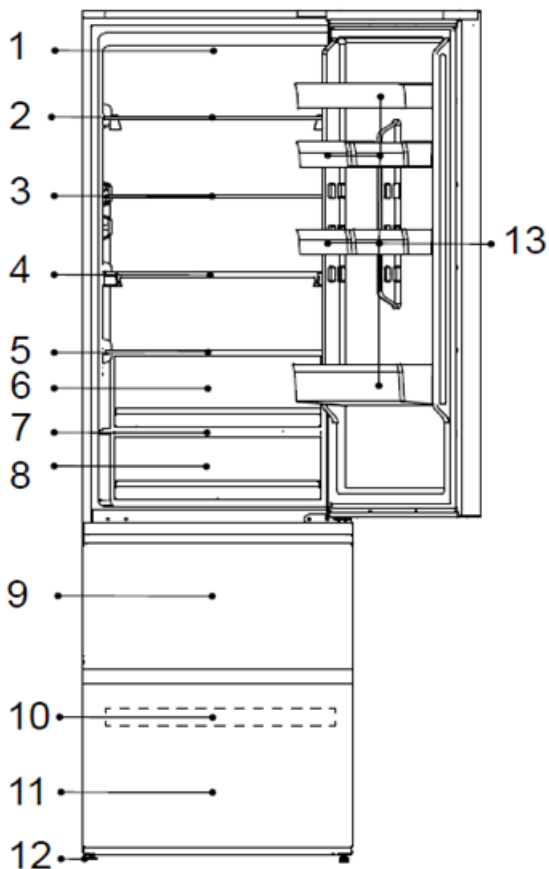
Normy a smernice

Tento výrobok spĺňa požiadavky všetkých príslušných smerníc ES s príslušnými harmonizovanými normami, ktoré ustanovujú označenie CE.

**i** POZNÁMKA

Z dôvodu technických zmien a rôznych modelov sa niektoré ilustrácie v tejto príručke môžu líšiť od vášho modelu.

(HTW5620EN*, HTW5620DN*, HTW5620CN*)



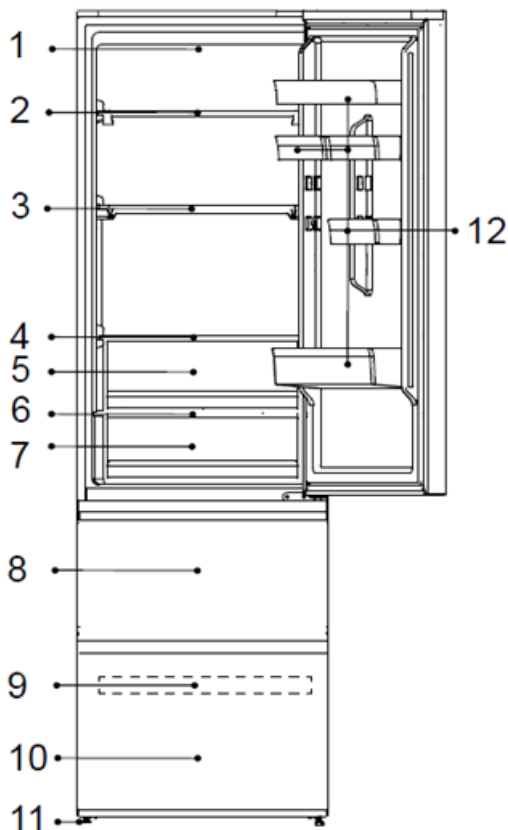
- 1-LED žiarovka chladničky
- 2-Stojan na víno
- 3-Sklenená polica
- 4-Sklopná polica
- 5-Kryt zásuvky Humidity Zone
- 6-Zásuvka Humidity Zone
- 7-Kryt zásuvky My Zone
- 8-Zásuvka My Zone
- 9-Horná úložná zásuvka mrazničky
- 10-Zásobník mrazničky
- 11-Spodná úložná zásuvka mrazničky
- 12-Nastavitelné nožičky
- 13-Priehradky na dverách



POZNÁMKA

Z dôvodu technických zmien a rôznych modelov sa niektoré ilustrácie v tejto príručke môžu líšiť od vášho modelu.

(HTW5618DN*, HTW5618CN*, HTW5618EN*)

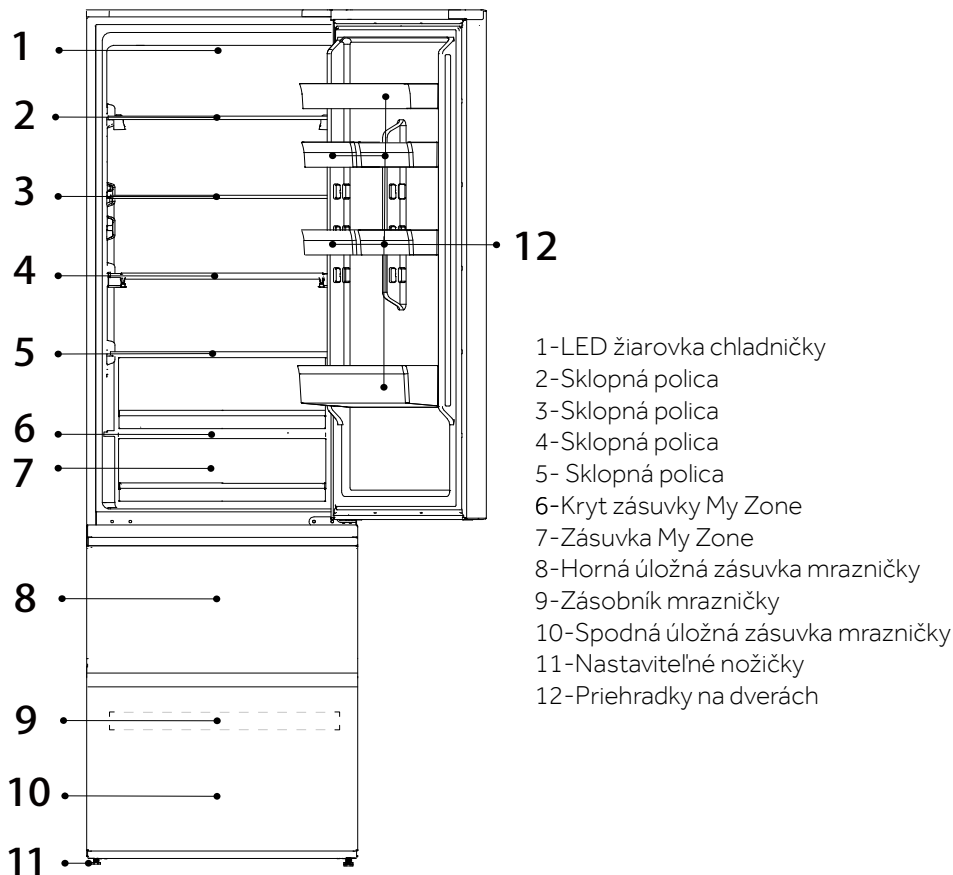


- 1-LED žiarovka chladničky
- 2-Stojan na víno
- 3-Sklpná polica
- 4-Kryt zásuvky Humidity Zone
- 5-Zásuvka Humidity Zone
- 6-Kryt zásuvky My Zone
- 7-Zásuvka My Zone
- 8-Horná úložná zásuvka mrazničky
- 9-Zásobník mrazničky
- 10-Spodná úložná zásuvka mrazničky
- 11-Nastaviteľné nožičky
- 12-Priehradky na dverách


POZNÁMKA

Z dôvodu technických zmien a rôznych modelov sa niektoré ilustrácie v tejto príručke môžu líšiť od vášho modelu.

(HTW3620EN*, HTW3620DN*, HTW3620CN*)

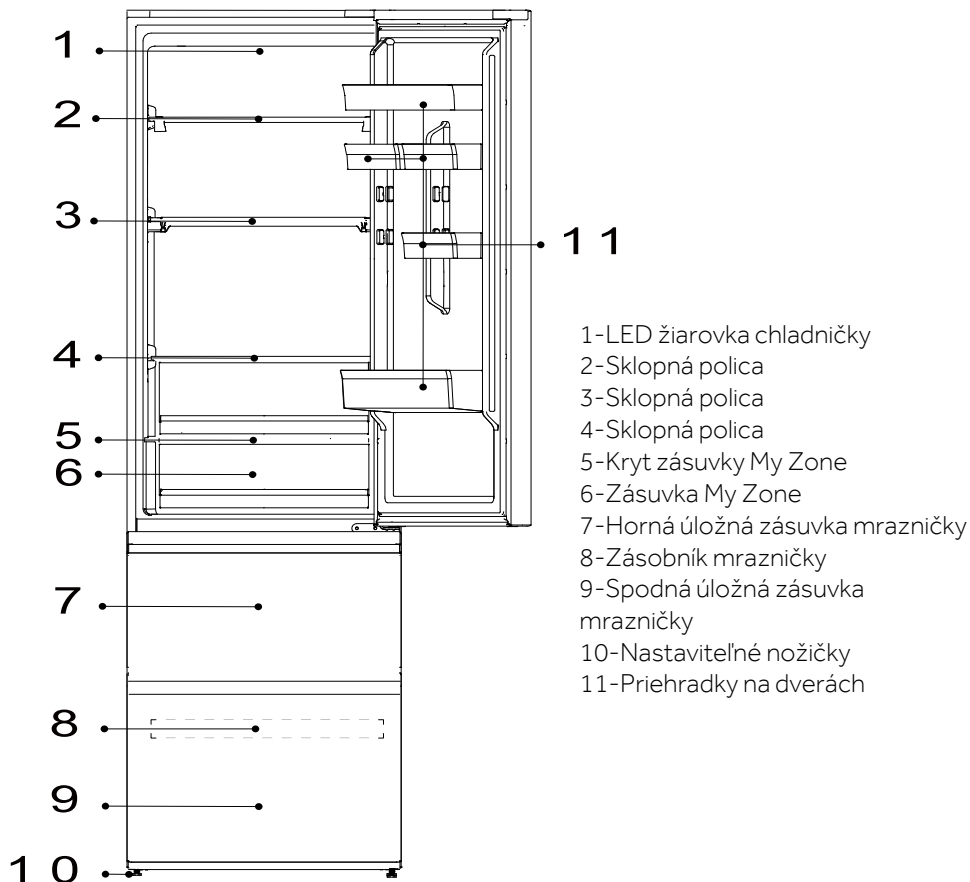




POZNÁMKA

Z dôvodu technických zmien a rôznych modelov sa niektoré ilustrácie v tejto príručke môžu líšiť od vášho modelu.

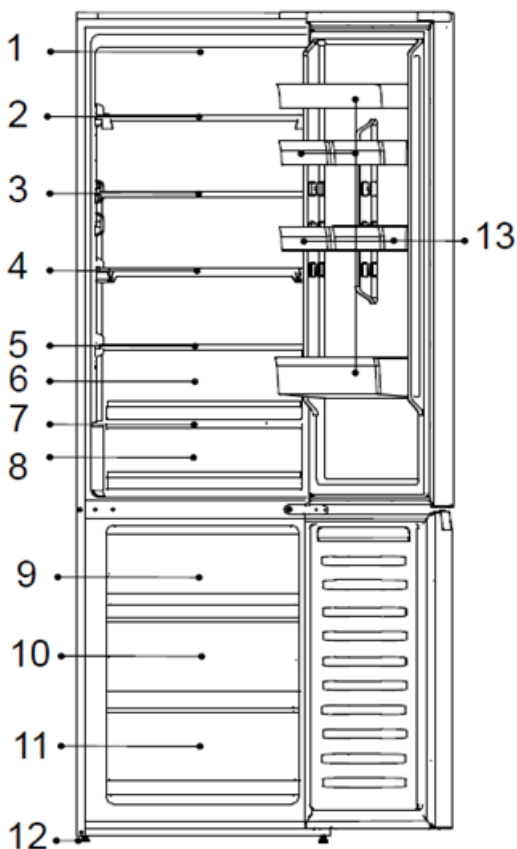
(HTW3618EN*, HTW3618DN*, HTW3618CN*)




POZNÁMKA

Z dôvodu technických zmien a rôznych modelov sa niektoré ilustrácie v tejto príručke môžu líšiť od vášho modelu.

(HDPW5620DN*, HDPW5620CN*, HDPW5620BN*, HDPW5620AN*)

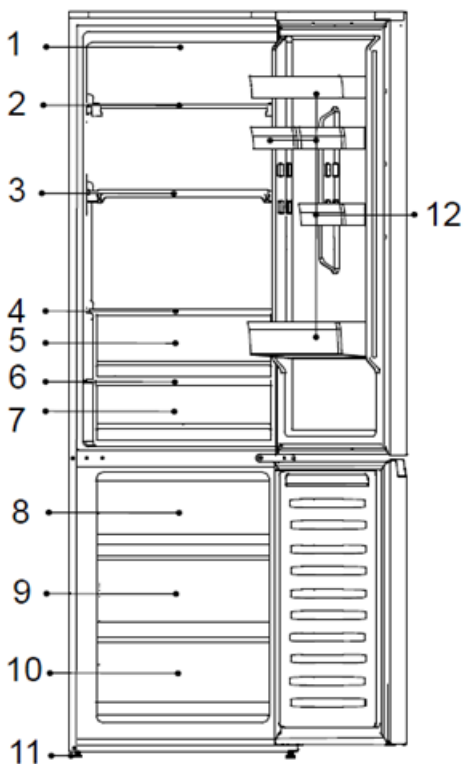


- 1-LED žiarovka chladničky
- 2-Stojan na víno
- 3-Sklenná polica
- 4-Sklpná polica
- 5-Kryt zásuvky Humidity Zone
- 6-Zásuvka Humidity Zone
- 7-Kryt zásuvky My Zone
- 8-Zásuvka My Zone
- 9-Horná úložná zásuvka mrazničky
- 10-Stredná úložná zásuvka mrazničky
- 11-Spodná úložná zásuvka mrazničky
- 12-Nastavitelné nožičky
- 13-Priehradky na dverách



POZNÁMKA

Z dôvodu technických zmien a rôznych modelov sa niektoré ilustrácie v tejto príručke môžu líšiť od vášho modelu.
(HDPW5618DN*, HDPW5618CN*)



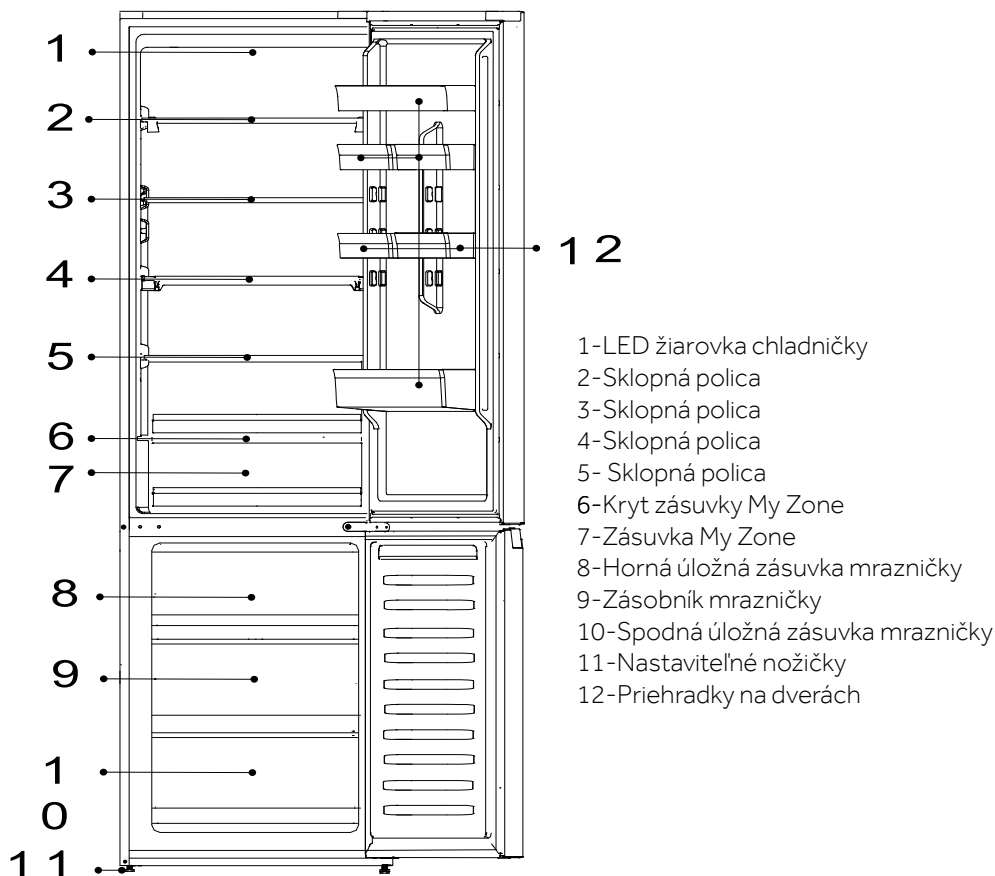
- 1-LED žiarovka chladničky
- 2-Stojan na víno
- 3-Sklopná polica
- 4-Kryt zásuvky Humidity Zone
- 5-Zásuvka Humidity Zone
- 6-Kryt zásuvky My Zone
- 7-Zásuvka My Zone
- 8-Horná úložná zásuvka mrazničky
- 9-Stredná úložná zásuvka mrazničky
- 10-Spodná úložná zásuvka mrazničky
- 11-Nastavitelné nožičky
- 12-Priehradky na dverách



POZNÁMKA

Z dôvodu technických zmien a rôznych modelov sa niektoré ilustrácie v tejto príručke môžu líšiť od vášho modelu.

(HDPW3620DN*, HDPW3620CN*)

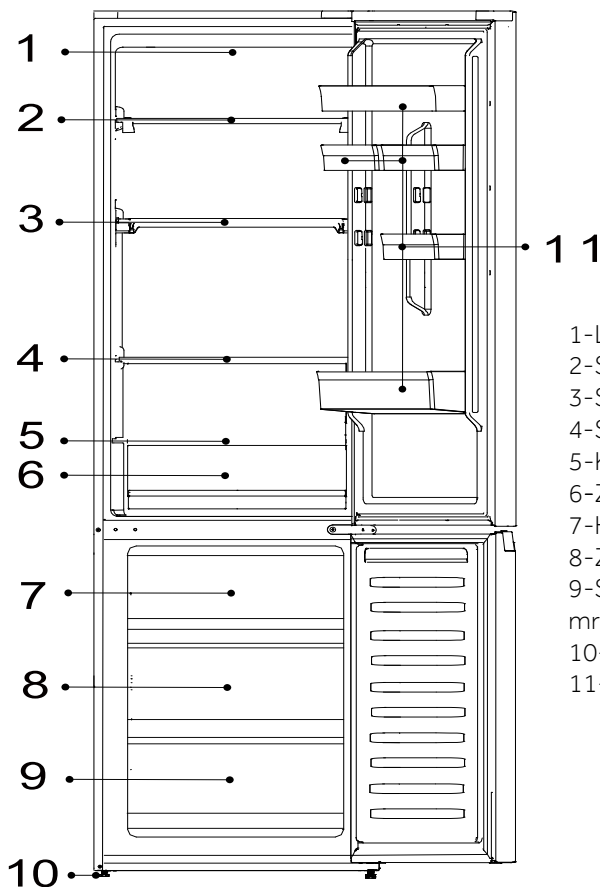




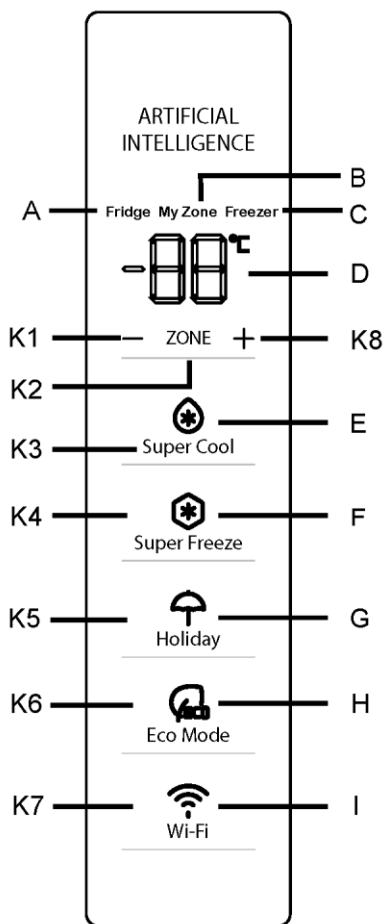
POZNÁMKA

Z dôvodu technických zmien a rôznych modelov sa niektoré ilustrácie v tejto príručke môžu líšiť od vášho modelu.

(HDPW3618DN*, HDPW3618CN*)



- 1-LED žiarovka chladničky
- 2-Sklopná polica
- 3-Sklopná polica
- 4-Sklopná polica
- 5-Kryt zásuvky My Zone
- 6-Zásuvka My Zone
- 7-Horná úložná zásuvka mrazničky
- 8-Zásobník mrazničky
- 9-Spodná úložná zásuvka mrazničky
- 10-Nastaviteľné nožičky
- 11-Priehradky na dverách

Ovládací panel

Indikátory:

- A Chladiaci priestor
- B Chladiaci priestor (My Zone)
- C Mraziaci priestor
- D Displej teploty
- E Funkcia Super Cool
- F Funkcia Super Freeze
- G Funkcia Holiday
- H Funkcia režimu Eco
- I Funkcia Wi-Fi

Tlačidlá:

- K1 Zníženie teploty
- K2 Výber chladničky, My Zone a mrazničky
- K3 Funkcia Super Cool zapnutá/vypnutá
- K4 Funkcia Super Freeze zapnutá/vypnutá
- K5 Zapnutie/Vypnutie funkcie Holiday
- K6 Zapnutie/Vypnutie funkcie režimu Eco
- K7 Zapnutie/Vypnutie funkcie Wi-Fi
- K8 Zvýšenie teploty

Pred prvým použitím

Odstráňte všetky obalové materiály a odložte ich mimo dosahu detí. Zlikvidujte ich za dodržania predpisov o ochrane životného prostredia.

Vyčistite vnútornú a vonkajšiu časť spotrebiča, ako aj interiér a príslušenstvo vodou a jemným čistiacim prostriedkom a dobre ich osušte mäkkou handričkou.

Po vyrovnaní a vyčistení spotrebiča počkajte pred pripojením k elektrickej sieti minimálne 2 hodiny. Pozrite časť INŠTALÁCIA.

Pred vložením potravín nechajte priehradky vychladiť nastavením na nízku teplotu. Funkcia Super Freeze pomáha rýchlo ochladiť mraziaci priestor.



Tlačidlá snímača

Tlačidlá na ovládacom paneli sú dotykové tlačidlá, ktoré reagujú na ľahký dotyk prsta.

Zapnutie a vypnutie spotrebiča

Spotrebič sa zapne ihneď po pripojení k zdroju elektrického napájania.

Pri prvom zapnutí spotrebiča ukazovatele teploty „D“ zobrazujú prednastavené hodnoty (pozri nižšie uvedené upozornenie).



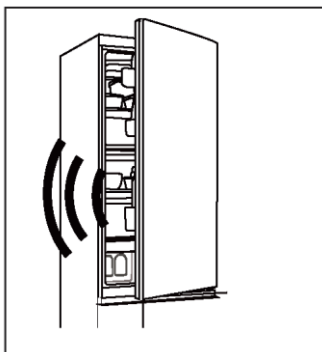
POZNÁMKA

Spotrebič je prednastavený na odporúčanú teplotu 5 °C (chladnička) a - 18 °C (mraznička). Teplota v My Zone je prednastavená na približne 2 °C. Sú to odporúčané nastavenia. Ak je to potrebné, tieto teploty môžete manuálne zmeniť.

Alarm otvorenia dverí

Keď sú dvere chladničky otvorené dlhšie než 3 minúty, zaznie alarm otvorenia dverí.

Alarm je možné zrušiť zatvorením dverí. Ak sú dvierka otvorené dlhšie ako 7 minút, svetlo vo vnútri chladničky a osvetlenie ovládacieho panela sa automaticky vypne.



Nastavenie teploty

Teploty vo vnútri spotrebiča sú ovplyvnené nasledujúcimi faktormi:

- ▶ Teplota prostredia
- ▶ Frekvencia otvárania dverí
- ▶ Množstvo uskladnených potravín
- ▶ Inštalácia spotrebiča



Úprava teploty chladničky

1. Stlačením tlačidla „K2“ (možnosti výberu Chladnička/(My Zone)/Mraznička) vyberte priestor Chladnička. Ikona „A“ (chladiaci priestor) a „D“ (zobrazenie teploty) sú rozsvietené.
2. Stlačením tlačidla „K1/K8“ nastavte teplotu chladničky.

Teplota sa zvyšuje po krokoch 1 °C z minima 2 °C na maximum 8 °C. Optimálna teplota v chladničke je 5 °C. Teplota chladiča znamená zbytočnú spotrebu energie.

3. Po približne 5 s ostane ikona teploty „D“ (zobrazenie teploty) svietiť nepretržite a nastavenie sa potvrdí.

Úprava teploty mrazničky

1. Stlačením tlačidla „K2“ (výber chladničky/(My Zone)/mrazničky) vyberte mraziaci priestor. Ikona „C“ (mraziaci priestor) a „D“ (zobrazenie teploty) sú svetlé.
2. Stlačením tlačidla „K1/K8“ nastavte teplotu mrazničky.

Teplota sa zvyšuje po krokoch 1 °C z minima -24 °C na maximum -16 °C. Optimálna teplota v chladničke je -18 °C. Teplota chladiča znamená zbytočnú spotrebu energie.

3. Po približne 5 s ostane indikátor teploty „D“ (zobrazenie teploty) svietiť nepretržite a nastavenie sa potvrdí.

Úprava teploty priestoru My Zone

Chladiaci priestor je vybavený zásuvkou My Zone. V súlade s požiadavkami na skladovanie potravín je možné zvoliť najvhodnejšiu teplotu, aby sa zachovala optimálna nutričná hodnota potravín.

1. Stlačením tlačidla „K2“ (možnosti výberu Chladnička/(My Zone)/Mraznička) vyberte priestor My Zone. Ikona „B“ (priestor My Zone) a „D“ (zobrazenie teploty) sú rozsvietené.
2. Stlačením tlačidla „K1/K8“ nastavte teplotu pre My Zone.

Teplota sa zvyšuje po krokoch 1 °C z minima 0 °C na maximum 5 °C.

3. Po približne 5 s ostane ikona teploty „D“ (zobrazenie teploty) svietiť nepretržite a nastavenie sa potvrdí.



POZNÁMKA

1. Teplotu priehradky My Zone môžete nastaviť na strednú úroveň (2 °C), aby sa potraviny a jedlá uchovávali v optimálnom prostredí na skladovanie.
2. Vzhľadom na rozdielny obsah vody v mäse sa niektoré druhy mäsa s vyššou vlhkosťou pri teplotách nižších ako 0 °C zmrazia, preto práve narezané mäso treba skladovať v zásuvke My Zone s minimálnou teplotou 0 °C.
3. Ovocie citlivé na chlad, ako je ananás, avokádo, banány, grapefruit, a zelenina, ako sú zemiaky, baklažány, fazuľa, uhorky, cuketa a paradajky, ako aj syr, by sa v zásuvke My Zone nemali skladovať.
4. Ak je teplota chladničky nižšia ako teplota v My Zone, je normálne, že teplota v priehradke My Zone bude nižšia než je nastavená teplota pre My Zone.

POZNÁMKA

Ak po nastavení teploty do 5 sekúnd stlačíte nejaké iné tlačidlá, aktuálne nastavenie teploty sa okamžite potvrdí. Ak do 5 sekúnd nestlačíte žiadne iné tlačidlo, zobrazí sa aktuálna nastavená teplota, kým obrazovka nezhasne.

POZNÁMKA

Pomocou aplikácie môžete prispôbiť teplotu chladničky, mrazničky aj My Zone. Teplota sa dá nastaviť s citlivosťou 1 °C.

Funkcia Super Cool

1. Funkciu Super Cool vám odporúčame zapnúť vtedy, keď sa chystáte uskladniť väčšie množstvo potravín (napríklad po nákupe). Funkcia Super Cool urýchľuje chladenie čerstvých potravín a chráni už uskladnené potraviny pred nežiaducim ohriatím.
2. Stlačte tlačidlo „K3“ alebo funkciu zapnite prostredníctvom aplikácie. Rozsvieti sa ikona „E“ (funkcia Super Cool) a funkcia je aktivovaná.

**POZNÁMKA**

1. Spotrebič ukončí funkciu „Super Cool“ po uplynutí 6 hodín od zadania funkcie „Super Cool“ alebo stlačením tlačidla „K3“, keď svieti ikona „E“ (funkcia Super Cool), alebo funkciu vypnete prostredníctvom aplikácie.
2. Ak pri úprave teploty chladiaceho priestoru v stave Super Cool bliká ikona „E“ (funkcia Super Cool), znamená to, že tento úkon sa nedá vykonať.

Funkcia Super Freeze

1. Čerstvé potraviny by sa mali zmraziť čo najrýchlejšie a až do jadra. Najlepšie sa tak zachová nutričná hodnota, vzhľad a chuť. Funkcia Super Freeze urýchľuje zmrazenie čerstvých potravín a chráni už uskladnené potraviny pred nežiaducim ohriatím. Ak potrebujete naraz zmraziť veľké množstvo potravín, odporúča sa pred použitím mrazenej miestnosti nastaviť funkciu Super Freeze na 24 hodín dopredu.
2. Stlačte tlačidlo „K4“ (nastavenie funkcie Super Freeze) alebo funkciu zapnite prostredníctvom aplikácie. Rozsvieti sa ikona „F“ (funkcia Super Freeze) a funkcia je aktivovaná.

**POZNÁMKA**

1. Spotrebič ukončí funkciu „Super Freeze“ po uplynutí 50 hodín od zadania funkcie „Super Freeze“ alebo stlačením tlačidla „K4“, keď svieti ikona „F“ (funkcia Super Freeze), alebo funkciu vypnete prostredníctvom aplikácie.
2. Ak pri úprave teploty chladiaceho priestoru v stave Super Freeze bliká ikona „F“ (funkcia Super Freeze), znamená to, že tento úkon sa nedá vykonať.

Funkcia Holiday

Funkciu Holiday môžete použiť na zníženie spotreby energie spotrebiča, ak ho nepoužívate pravidelne. Keď je funkcia zapnutá, chladnička je vypnutá, zatiaľ čo mraznička bude fungovať normálne. Táto funkcia natrvalo nastaví teplotu chladničky na 17 °C.

To umožňuje ponechať dvere prázdnej chladničky zatvorené bez spôsobenia zápachu alebo plesne aj počas dlhej neprítomnosti (napr. počas dovolenky). Priehradka na mrazničku je voľná pre vaše nastavenie.

1. Stlačte tlačidlo „K5“ (zapnutie/vypnutie funkcie Holiday) alebo vyberte funkciu prostredníctvom aplikácie. Rozsvieti sa ikona „G“ (funkcia Holiday) a funkcia je aktivovaná.
2. Funkciu je možné vypnúť opätovným stlačením tlačidla „K5“ (zapnutie/vypnutie funkcie Holiday) alebo nastavením teploty chladničky, prípadne vykonaním akéhokoľvek iného nastavenia alebo vypnutím prostredníctvom aplikácie.



POZNÁMKA

1. Počas funkcie Holiday by sa v chladničke nemali skladovať žiadne potraviny. Teplota 17 °C je príliš vysoká na skladovanie potravín.
2. Keď je funkcia Holiday zapnutá, ikona My Zone zostáva vypnutá a funkcia chladničky je uzamknutá. Ak pri úprave teploty chladiaceho priestoru bliká ikona „G“ (funkcia Holiday), znamená to, že tento úkon sa nedá vykonať.

Funkcia režimu Eco

Režim Eco môžete aktivovať na optimalizáciu výkonu spotrebiča pri dosiahnutí najlepšieho uskladnenia potravín. Ak nemáte žiadne špeciálne požiadavky, odporúčame použiť režim Eco.

V tomto režime je teplota chladničky 5 °C, teplota mrazničky -18 °C.




1. Stlačte tlačidlo „K6“ (zapnutie/vypnutie funkcie režim Eco) alebo vyberte funkciu prostredníctvom aplikácie.
2. Ikona „H“ (funkcia režim Eco) svieti a funkcia je aktivovaná. Opakovaním vyššie uvedených krokov alebo výberom inej funkcie, prípadne vypnutím prostredníctvom aplikácie je možné túto funkciu znova vypnúť. Obnovia sa predtým nastavené úrovne chladenia.

POZNÁMKA

Ak pri úprave teploty chladničky/mrazničky počas režimu Eco bliká ikona „H“ (funkcia režimu Eco), znamená to, že tento úkon sa nedá vykonať.

Krok 1 Z obchodu s aplikáciami si stiahnite aplikáciu hOn.

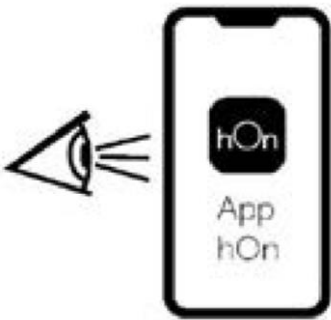


Krok 2 Vytvorte si účet v aplikácii hOn alebo, ak už máte účet, prihláste sa.



Krok 3 Postupujte podľa pokynov o párovaní v aplikácii hOn.



Funkcia Wi-Fi

1. Postupujte podľa pokynov v aplikácii a nakonfigurujte Wi-Fi.
2. Po nakonfigurovaní Wi-Fi a vytvorení pripojenia sa ikona „I“ pre Wi-Fi zapne a zostane svietiť.
3. Ak už bola sieť Wi-Fi nakonfigurovaná, Wi-Fi sa automaticky znova pripojí podľa informácií o konfigurácii.



POZNÁMKA

1. Ak chcete Wi-Fi vypnúť, stlačte tlačidlo Wi-Fi „K7, ikona „I“ pre Wi-Fi zhasne.
2. Ak chcete zapnúť Wi-Fi a spustiť konfiguráciu, stlačte tlačidlo Wi-Fi „K7“, ikona „I“ pre Wi-Fi začne pomaly blikať. Ak chcete nakonfigurovať funkciu Wi-Fi, stlačte tlačidlo „K7“ na 3 sekundy, ikona Wi-Fi začne blikať rýchlo a prepne sa do režimu konfigurácie. Ak chcete funkciu Wi-Fi vypnúť, raz stlačte tlačidlo „K7“. Vyššie uvedené kroky sa opakujú.
3. Ak bol výrobok nakonfigurovaný a funkcia Wi-Fi bola vypnutá, chladnička sa po opätovnom pripojení k napájaniu neprepne do režimu konfigurácie.



POZNÁMKA

1. Tento výrobok nie je určený na komerčné použitie.
2. Maximálny RF výstupný výkon: 2,4 GHz Wi-Fi: 16 dBm;
3. Bluetooth® Low Energy: 5 dBm; Bluetooth®(BR/EDR): 10 dBm.
4. Frekvenčné pásmo prevádzky: 2400 – 2483,5 MHz.



Ochranná známka a logá Bluetooth® sú registrované ochranné známky spoločnosti Bluetooth SIG, Inc. a akékoľvek použitie týchto známk spoločnosťou Candy Hoover Group SRL podlieha licencií. Ostatné ochranné známky a obchodné názvy sú majetkom príslušných vlastníkov.

Uchovávanie v chladiacom priestore

- Teplotu v chladničke udržiajte pod 5 °C.
- Horúce jedlá musíte pred uložením do spotrebiča ochladiť na izbovú teplotu.
- Potraviny skladované v chladničke by ste mali pred uložením umyť a vysušiť.
- Potraviny, ktoré sa majú skladovať, by mali byť riadne uzavreté, aby sa zabránilo prenosu zápachu alebo chuti.
- Neskladujte nadmerné množstvo potravín. Medzi potravinami nechajte voľný priestor, aby okolo nich mohol prúdiť studený vzduch, aby sa dosiahlo lepšie a rovnomernejšie ochladenie.
- Potraviny konzumované denne by sa mali skladovať v prednej časti police.
- Medzi potravinami a vnútornými stenami nechajte dostatočne veľký voľný priestor na prúdenie vzduchu. Predovšetkým neskladujte potraviny opreté o zadnú stenu: potraviny by mohli primrznúť ku zadnej stene. Zabráňte priamemu kontaktu potravín (predovšetkým masných alebo kyslých potravín) s vnútorným povrchom, pretože olej/kyselina môže narušiť vnútorný povrch. Očistite masné/kyslé nečistoty vždy, keď sa objavia.
- Mrazené potraviny sa môžu v chladiacom priestore šetrne rozmraziť. To šetrí energiu.
- Proces dozrievania ovocia a zeleniny, ako sú cukety, melóny, papája, banán, ananás atď. sa môže v chladničke urýchliť. Preto sa neodporúča skladovať ich v chladničke. Zrenie veľmi nezrelých plodov však môže byť počas určitej doby prospešné. Cibulu, cesnak, zázvor a inú koreňovú zeleninu by ste tiež mali skladovať pri izbovej teplote.
- Neprijemný zápach vo vnútri chladničky je znakom toho, že sa niečo rozlialo a treba priestor vyčistiť. Pozrite Starostlivosť a čistenie.
- Rôzne potraviny je potrebné umiestniť do rôznych oblastí podľa ich vlastností.

Skladovanie v mraziacom priestore

- Teplotu v mrazničke udržiajte na -18 °C.
- 24 hodín pred mrazením zapnite funkciu Super-Freeze. Pre malé množstvá potravín stačí 4-6 hodín.
- Horúce jedlá musíte pred uložením do mraziaceho boxu ochladiť na izbovú teplotu.
- Potraviny nakrájané na malé porcie sa zmrazia rýchlejšie a ľahšie sa rozmrazia a uvaria. Odporúčaná hmotnosť pre každú porciu je menej ako 2,5 kg
- Pred vložením do mrazničky je lepšie potraviny zabaliť. Vonkajšia strana obalu musí byť suchá, aby sa zabránilo zlepeniu vreciek. Obalové materiály by mali byť bez zápachu, vzduchotesné, nejedovaté a netoxické.
- Aby sa predišlo uplynutiu doby skladovania, všimnite si dátum zmrazenia, trvanlivosť a názov potraviny na obale a podľa toho skladujte rôzne potraviny.

**VAROVANIE!**

- ▶ Kyselina, zásady a soľ atď. by mohli narušiť vnútorný povrch mrazničky.
- ▶ Nekladte potraviny s týmito látkami (napr. morské ryby) priamo na vnútorný povrch. Slanú vodu je treba z mrazničky okamžite utrieť.
- ▶ Neprekračujte dobu skladovania potravín odporúčanú výrobcami. Z mrazničky vyberte len požadované množstvo potravín.
- ▶ Rozmrazené potraviny rýchlo skonzumujte. Aby jedli ostali jedlé, rozmrazené potraviny sa nesmú opäť zmraziť, pokiaľ ich najprv neuvaríte.
- ▶ Do mraziaceho priestoru nekladajte nadmerné množstvo čerstvých potravín. Pozrite si mraziacu kapacitu mrazničky - pozrite si TECHNICKÉ ÚDAJE alebo údaje na typovom štítku.
- ▶ Potraviny je možné skladovať v mrazničke pri teplote najmenej -18 °C 2 až 12 mesiacov, v závislosti od ich vlastností (napr. mäso: 3 – 12 mesiacov, zelenina: 6 – 12 mesiacov)
- ▶ Pri mrazení čerstvých potravín sa vyhýbajte ich kontaktu s už zmrazenými potravinami. Riziko rozmrazenia!

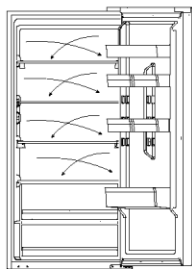
Pri skladovaní komerčne mrazených potravín dodržiavajte tieto pokyny:

- Vždy dodržiavajte pokyny výrobcov o dobe skladovania potravín. Usmernenia neporušujte!
- Snažte sa čas medzi nákupom a uložením potravín čo najviac skrátiť, aby ste zachovali kvalitu potravín.
- Kupujte mrazené potraviny, ktoré boli skladované pri teplote -18 °C alebo nižšej.
- Vyhňte sa nákupu potravín, ktoré majú na obale ľad alebo námrazu – to znamená, že výrobky mohli byť čiastočne rozmrazené a opätovne zmrazené pri určitom náraste teploty, čo mohlo znížiť ich kvalitu.



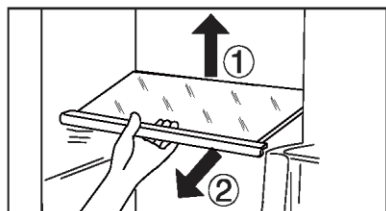
i POZNÁMKA

Vzhľadom na ponuku rôznych modelov nemusí mať spotrebič k dispozícii všetky nasledujúce funkcie. Pozrite si kapitolu Opis produktu.



Viacnásobné prúdenie vzduchu

Chladnička je vybavená systémom s viacnásobným prúdením vzduchu, v ktorom sú prívody chladného vzduchu umiestnené na každej úrovni police. To pomáha udržiavať rovnomernú teplotu, aby sa vaše jedlo udržalo dlhšie čerstvé.



Nastaviteľná polica

1. Výška polic sa môže nastaviť tak, aby vyhovovala vašim potrebám skladovania.
2. Ak chcete policu premiestniť, najprv nadvihnite jej zadný okraj ① a potom ju vytiahnite ②.
3. Ak ju chcete znovu nainštalovať, položte ju na výstupky na oboch stranách a zatlačte do najzadnejšej polohy, kým nezapadne do drážok na bokoch.

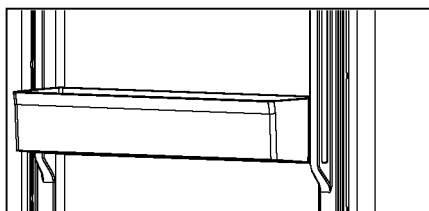
i POZNÁMKA

Uistite sa, že všetky konce police sú v jednej rovine.

Vyberateľné poličky na dverách

Poličky na dverách sa dajú vybrať na čistenie:

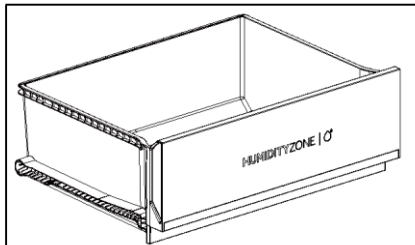
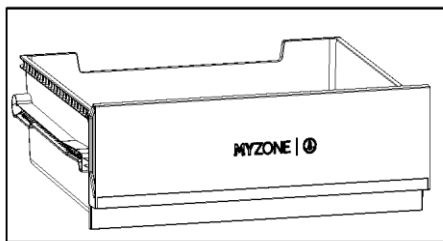
Uchopte poličku oboma rukami, nadvihnite ju (1) a vytiahnite (2). Ak chcete poličku vložiť späť do dverí, vykonajte vyššie uvedené kroky v opačnom poradí.





Zásuvka My Zone

Pri používaní a nastavovaní zásuvky My Zone skontrolujte časť Použitie (My Zone).



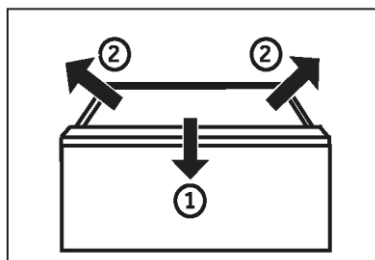
Zásuvka Humidity Zone

V tomto priestore je úroveň vlhkosti ovládaná automaticky systémom a je vhodná na skladovanie ovocia, zeleniny, šalátov atď.

Vyberateľná zásuvka

Ak chcete vybrať zásuvku chladničky alebo mrazničky, úplne ju vytiahnite (1), nadvihnite a vyberte (2).

Ak chcete poličku znovu vsunúť, vykonajte vyššie uvedené kroky v opačnom poradí.



Zásuvka mrazničky

Zásuvky mrazničky sa dajú vysunúť rovno a úplne. Sú namontované na teleskopickej koľajničke easy roll. Umožňujú jednoduché uloženie a vyberanie zmrazených potravín. Vďaka automatickému mechanizmu zatvárania dverí je manipulácia jednoduchá a šetrí energiu.



VAROVANIE!

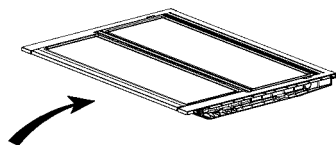
Zásuvky nezaťažujte nadmerne: Maximálna nosnosť každej zásuvky: 35 kg!

Osvetlenie

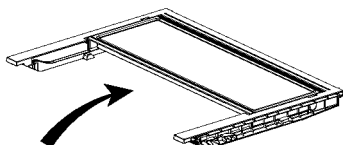
Interiérové LED osvetlenie sa rozsvieti po otvorení dverí. Výkon svetiel nie je ovplyvnený žiadnym iným nastavením spotrebiča.

Sklopná polica

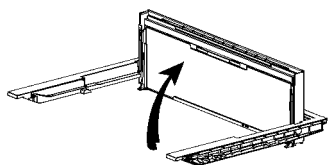
Sklopná polica umožní používateľovi umiestniť na police vysoké fľaše alebo predmety. Polica sa dá sklopiť k zadnej stene, čím sa zväčší dostupný priestor na spodnej polici. Polica sa sklopí vykonaním krokov 1 – 3. Ak ju chcete vrátiť do pôvodnej polohy, vykonajte postup v opačnom postupe.



Krok 1: Pomaly zatlačte prednú časť police až na koniec.



Krok 2: Pomaly zatlačte policu nahor do vertikálnej polohy.



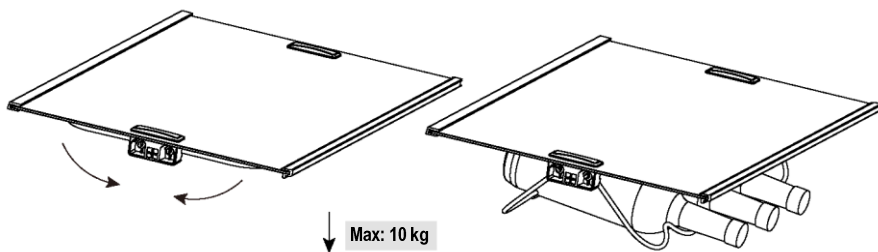
Krok 3: Polica je vo vertikálnej polohe. Ušetrí sa tým priestor.

Skladací stojan na víno

Na bežné použitie

1. Stiahnite konzoly stojana na fľaše
2. Vložte fľaše do stojana

Ak sa stojan na víno nepoužíva, možno ho sklopit' späť, aby sa ušetrilo miesto.





Tipy na úsporu energie

- ▶ Uistite sa, že je spotrebič správne vetraný (pozrite časť INŠTALÁCIA).
- ▶ Spotrebič neinštalujte na priame slnečné svetlo ani do blízkosti zdrojov tepla (napr. kachle, ohrievače).
- ▶ Zabráňte zbytočne nízkej teplote v spotrebiči. Spotreba energie sa zvyšuje so znižovaním nastavenej teploty v spotrebiči.
- ▶ Funkcie ako SUPER FREEZE zvyšujú spotrebu energie.
- ▶ Pred vložením do spotrebiča nechajte teplé jedlo vychladnúť.
- ▶ Dvere spotrebiča otvárajte čo najmenej a na čo najkratšiu dobu.
- ▶ Spotrebič nepreplňujte, aby ste nebránili prúdeniu vzduchu.
- ▶ Vyhýbajte sa vzduchu v obale potravín.
- ▶ Tesnenia dverí udržiavajte čisté, aby boli dvere vždy správne zatvorené.
- ▶ Zmrazené potraviny rozmrazte v úložnom priestore chladničky alebo použite funkciu D-Frost v zásuvke My Zone.
- ▶ Konfigurácia s najvyššou úsporou energie vyžaduje, aby bola zásuvka, box na potraviny a police umiestnené v spotrebiči na mieste, v akom boli dodané z výroby a aby boli potraviny umiestnené bez blokovania výstupu vzduchu z potrubia.



VAROVANIE!

Čistenie

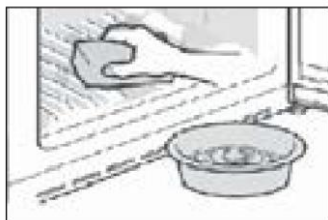
Spotrebič čistite, keď je v ňom uskladnené len malé množstvo alebo žiadne potraviny.

Spotrebič by ste mali čistiť každé štyri týždne, aby sa zaistila dobrá starostlivosť a zabránilo pachu z nesprávne uskladnených potravín.



VAROVANIE!

- ▶ Spotrebič nečistite tvrdými kefami, drôtenými kefami, čistiacim práškom, benzínom, amylacetátom, acetónom ani podobnými organickými roztokmi, kyselinami ani zásadami. Čistite pomocou špeciálneho čistiaceho prostriedku na chladničky, aby ste zabránili poškodeniu.
- ▶ Počas čistenia na spotrebič nestriekajte ani ho neoplachujte.
- ▶ Na čistenie spotrebiča nepoužívajte prúd vody ani paru.
- ▶ Studené sklenené poličky neumývajte horúcou vodou. Náhla zmena teploty môže spôsobiť rozbitie skla.
- ▶ Nedotýkajte sa vnútorného povrchu priestoru mrazničky, najmä nie mokrymi rukami, pretože by vám mohli k povrchu primrznúť.
- ▶ Ak dôjde k zahriatiu, skontrolujte stav zmrazených potravín.



- ▶ Tesnenie na dverách musí byť vždy čisté.
- ▶ Vnútro a plášť spotrebiča čistite špongiou navlhčenou v teplej vode s prídavkom neutrálneho saponátu.
- ▶ 1. Mäkkou handričkou alebo špongiou namočenou v teplej vode utrite interiér a exteriér chladničky, vrátane tesnenia dverí, dverovej poličky, sklenených polic, boxov atď. (do teplej vody môžete pridať neutrálny čistiaci prostriedok).
- ▶ 2. Ak sa rozleje nejaká kvapalina, vyberte všetky znečistené diely, opláchnite ich prúdom vody, vysušte a vložte späť do chladničky.
- ▶ 3. Ak dôjde k rozliatiu krému (napríklad smotana, roztopená zmrzlina), odstráňte všetky znečistené časti, vložte ich na nejaký čas do teplej vody s teplotou približne 40 °C, potom ich opláchnite prúdom vody, vysušte a vložte späť do chladničky.
- ▶ 4. V prípade, že v chladničke (medzi policami alebo zásuvkami) ostane nejaká malá usadenina alebo komponent, použite na uvoľnenie mäkkú kefku. Ak sa k tejto časti nedostanete, kontaktujte servis Haier
- ▶ Opláchnite a osušte mäkkou handričkou.
- ▶ Žiadne časti spotrebiča nečistite v umývačke riadu.
- ▶ Pred opätovným zapnutím spotrebiča počkajte najmenej 5 minút, pretože časté spúšťanie môže poškodiť kompresor.

Odmrazovanie

Odmrazovanie chladničky a mrazničky sa vykonáva automaticky: nie je potrebná žiadna manuálna činnosť.



Výmena LED žiaroviek



VAROVANIE!

LED žiarovku nevymieňajte sami, musí ju vymeniť iba výrobca alebo autorizovaný servisný pracovník.

Osvetlenie využíva ako zdroj svetla LED, ktoré sa vyznačujú nízkou spotrebou energie a dlhou životnosťou. Ak sa vyskytnú nejaké abnormality, kontaktujte zákaznicky servis. Pozrite časť ZÁKAZNÍCKY SERVIS.

Parametre žiarovky:

Časť	LED žiarovka
Napätie	12 V
Maximálny výkon	1,5 W
LED Spec	White-2835
Trieda účinnosti LED	G
Teplota pri používaní	-40 – 80 °C

Dlhodobé vyradenie z prevádzky

Ak nebudete spotrebič dlhšiu dobu používať a pre chladničku nepoužijete funkciu Holiday:

Vyberte potraviny.

Odpojte napájací kábel.

Spotrebič vyčistite podľa vyššie uvedeného návodu.

Dvere nechajte otvorené, aby sa vo vnútri nevytvárali nepríjemné pachy.



POZNÁMKA

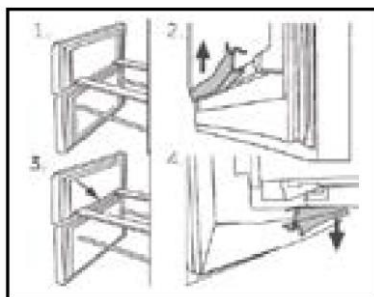
Spotrebič vypnite, len ak je to nevyhnutne potrebné.

Odnímateľné prídavné tesnenia dverí

Na hornej a dolnej zásuvke mrazničky je šesť pomocných tesnení dverí.

1. Na hornej a dolnej zásuvke mrazničky vyhľadajte šesť pomocných tesnení dverí.
2. Pri pripájaní sa uistite, že ohnuté rezy tesnení smerujú dovnútra.
3. Umiestnite spodné tesnenie hornej zásuvky podľa pokynov.
4. Pri pripájaní sa uistite, že ohnutý rez tohto tesnenia smeruje nadol.

Tieto tesnenia, ako aj tesnenia otočných dverí/zásuvky získate prostredníctvom zákazníckeho servisu (pozri záručný list).



Premiestňovanie spotrebiča

1. Vyberte všetky potraviny a odpojte spotrebič od elektrickej siete.
2. Police a ďalšie vyberateľné diely chladničky a mrazničky zaistite lepiacou páskou.
3. Chladničku nenakláňajte o viac ako 45°, aby nedošlo k poškodeniu chladiaceho systému.



VAROVANIE!

- ▶ Spotrebič nezdvíhajte za rukoväti dverí.
- ▶ Spotrebič nikdy neukladajte na podlahu v horizontálnej polohe.



Mnoho vyskytujúcich sa problémov môžete vyriešiť sami bez osobitných odborných znalostí. V prípade problému skontrolujte všetky zobrazené možnosti a pred kontaktovaním zákazníckeho servisu postupujte podľa nasledujúcich pokynov. Pozrite časť ZÁKAZNÍCKY SERVIS.



VAROVANIE!

- ▶ Pred údržbou spotrebič vypnite a vytiahnite zástrčku zo zásuvky.
- ▶ Údržbu elektrického zariadenia môže vykonávať iba kvalifikovaný elektrikár, pretože neodborné opravy môžu spôsobiť značné následné škody.
- ▶ Poškodený prívod môže v záujme eliminácie akéhokoľvek rizika vymeniť len výrobca, jeho servisný zástupca alebo rovnako kvalifikovaná osoba.

Tabuľka na riešenie problémov

Problém	Možná príčina	Možné riešenie
Kompresor nefunguje.	Zástrčka nie je zapojená do zásuvky elektrickej siete.	Pripojte hlavnú zástrčku.
	Spotrebič je v cykle odmrazovania.	To je normálne pri automatickom odmrazovaní.
Spotrebič sa zapína často alebo ostáva zapnutý príliš dlho.	Príliš vysoká vnútorná alebo vonkajšia teplota.	V takom prípade je normálne, že kompresor spotrebiča ostane zapnutý dlhšie.
	Spotrebič bol dlhšie vypnutý.	Zvyčajne trvá 8 až 12 hodín, kým spotrebič úplne ochladne.
	Netesne zatvorené dvere/zásuvka spotrebiča.	Zatvorte dvere/zásuvku a uistite sa, že je spotrebič umiestnený na rovnom povrchu a že sa v ňom nenachádzajú potraviny alebo nádoba, ktoré by blokovali dvere.
	Dvere/zásuvka boli otvorené príliš často alebo príliš dlho.	Neotvárajte dvere/zásuvku príliš často.
	Nastavenie teploty mraziacej časti je príliš nízke.	Nastavujte vyššiu teplotu, kým nedosiahnete uspokojivú teplotu chladničky. Ustálenie teploty chladničky trvá 24 hodín.
	Tesnenie dverí/zásuvky je znečistené, opotrebované, prasknuté alebo nevhodné.	Vyčistite tesnenie dverí/zásuvky alebo ich dajte vymeniť v servise zákazníka.
Nie je zabezpečené požadované prúdenie vzduchu.	Zaistite dostatočnú ventiláciu.	



Problém	Možná príčina	Možné riešenie
Vnútro chladničky je špinavé a/alebo zapácha.	Vnútro chladničky treba vyčistiť.	Vyčistite vnútro chladničky.
	V chladničke sú uložené potraviny so silnou arómou.	Potraviny dôkladne zabaľte.
V spotrebiči nie je dostatočne nízka teplota.	Nastavená teplota je príliš vysoká.	Resetujte teplotu
	Do spotrebiča boli vložené príliš teplé potraviny.	Pred uložením potraviny vždy ochladte.
	Vložili ste príliš veľa potravín naraz.	Vždy vkladajte malé množstvo potravín.
	Potraviny sú príliš blízko seba.	Medzi potravinami nechávajte medzeru, aby mohol vzduch voľne prúdiť.
	Netesne zatvorené dvvere/zásuvka spotrebiča.	Zatvorte dvvere/zásuvku.
	Dvvere/zásuvka boli otvorené príliš často alebo príliš dlho.	Neotvárajte dvvere/zásuvku príliš často.
V spotrebiči je príliš nízka teplota.	Nastavená teplota je príliš nízka.	Resetujte teplotu.
	Funkcia Super Freeze je aktivovaná alebo je zapnutá príliš dlho.	Funkciu Super Freeze vypnite.
Vytváranie kondenzátu na vnútornej strane chladiaceho priestoru.	Ovzdušie je príliš teplé a príliš vlhké.	Zvýšte teplotu.
	Netesne zatvorené dvvere/zásuvka spotrebiča.	Zatvorte dvvere/zásuvku.
	Dvvere/zásuvka boli otvorené príliš často alebo príliš dlho.	Neotvárajte dvvere/zásuvku príliš často.
	Otvorené nádoby na potraviny alebo kvapaliny.	Horúce jedlá nechajte vychladnúť na izbovú teplotu a jedlá a kvapaliny zakryte.
Hromadenie vlhkosti na vonkajšom povrchu chladničky alebo medzi dverami/dverami a zásuvkou.	Ovzdušie je príliš teplé a príliš vlhké.	Vo vlhkom podnebí je to normálne a zmení sa to po poklese vlhkosti.
	Dvvere/zásuvka nie sú tesne zatvorené.	Dbajte na to, aby boli dvvere/zásuvka tesne zatvorené.



Problém	Možná príčina	Možné riešenie
V mrazničke je silná vrstva ľadu a námrazy.	Potraviný neboli dostatočne zabalené.	Potraviný vždy dobre zabaľte.
	zatvorené.	
	Dvere/zásuvka boli otvorené príliš často alebo príliš dlho.	Neotvárajte dvere/zásuvku príliš často.
	Tesnenie dverí/zásuvky je znečistené, opotrebované, prasknuté alebo nevhodné.	Vyčistite tesnenie dverí/zásuvky alebo ich vymeňte za nové.
Spotrebič vydáva neobvyklé zvuky.	Niečo na vnútornej strane bráni správne zatvoreniu dvierok/zásuvky.	Premiestnite police, priehradky na dverách alebo vnútorné zásobníky tak, aby sa dali dvere/zásuvka zatvoriť.
	Spotrebič nie je umiestnený na rovnom povrchu.	Nastavte nožičky a vyrovnajte spotrebič do vodorovnej polohy.
Počuť tichý zvuk podobný tečúcej vode.	Spotrebič sa dotýka nejakého predmetu v jeho okolí.	Odstraňte predmety v okolí spotrebiča.
Počuť tichý zvuk podobný tečúcej vode.	Je to normálne.	/
Budete počuť pipnutie alarmu.	Dvere chladničky ostali otvorené.	Zatvorte dvere alebo alarm vypnite manuálne.
Budete sa bližšie k slabému hučaniu.	Funguje systém proti kondenzácii.	To zabraňuje kondenzácii a je to normálne.
Nefunguje osvetlenie interiéru alebo chladiaci systém.	Zástrčka nie je zapojená do zásuvky elektrickej siete	Pripojte hlavnú zástrčku.
	Porucha zdroja napájania.	Skontrolujte elektrické napájanie v miestnosti. Kontaktujte miestnu elektrárenskú spoločnosť!
	LED žiarovka nie je v poriadku.	Kontaktujte servis kvôli výmene žiarovky.
Boky skrinky a lišty dverí sa zahrievajú.	Je to normálne.	/
Z výtokú dávkovača vody nevyteká žiadna voda	Zámka nie je vypnutá.	Vypnite zámku



Prerušenie elektrického napájania

- ▶ V prípade výpadku elektrického prúdu by mali potraviny zostať bezpečne vychladené približne 13 hodín. V prípade dlhšieho výpadku elektrického napájania, najmä v lete, postupujte podľa nasledujúcich pokynov.
- ▶ Počas prerušenia napájania nekladajte do spotrebiča ďalšie potraviny.
- ▶ Ak vám výpadok prúdu oznámia vopred, a predpokladaná doba výpadku presahuje 13 hodín, pripravte kocky ľadu a vložte ich do zásobníka v hornej časti chladničky.
- ▶ Ihneď po prerušení musíte potraviny skontrolovať.
- ▶ V dôsledku zvýšenia teploty v chladničke počas výpadku elektrického prúdu alebo inej poruchy dôjde k skráteniu trvanlivosti potravín a tiež sa zníži ich kvalita. Potraviny, ktoré sa rozmrazili, by ste mali buď rýchlo skonzumovať alebo uvariť a znovu zmraziť (ak je to vhodné), aby sa predišlo zdravotným rizikám.



POZNÁMKA

Funkcia pamäte pri prerušení napájania

Po obnovení napájania sa obnovia nastavenia spotrebiča, ktoré boli nastavené pred výpadkom elektrického napájania.

Ak chcete kontaktovať technický servis, navštívte našu webovú stránku:

<https://corporate.haier-europe.com/en/>

V sekcii „webové stránky“ vyberte značku svojho produktu a svoju krajinu. Stránka vás presmeruje na konkrétnu webovú stránku, kde nájdete telefónne číslo a formulár na kontaktovanie technického servisu.

Vybavenie



VAROVANIE!

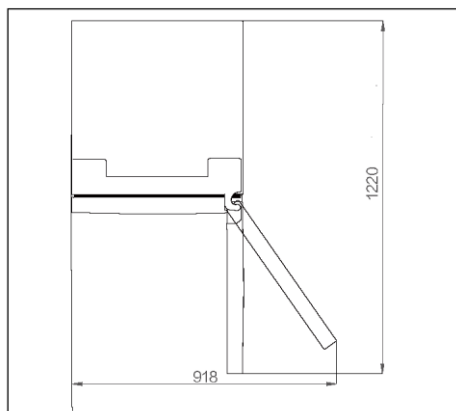
- ▶ Spotrebič je ťažký. Musia s ním vždy manipulovať dve osoby.
- ▶ Všetky obalové materiály udržiajte mimo dosahu detí a zlikvidujte ich spôsobom, ktorý je šetrný k životnému prostrediu.
- ▶ Vyberte spotrebič z obalu.
- ▶ Odstráňte všetok obalový materiál.

Podmienky prostredia

Teplota v miestnosti musí byť vždy medzi 10 °C až 43 °C, pretože môže mať vplyv na teplotu vo vnútri spotrebiča a na jeho spotrebu energie. Spotrebič neinstalujte v blízkosti iných spotrebičov vyžarujúcich teplo (rúry, chladničky) bez izolácie.

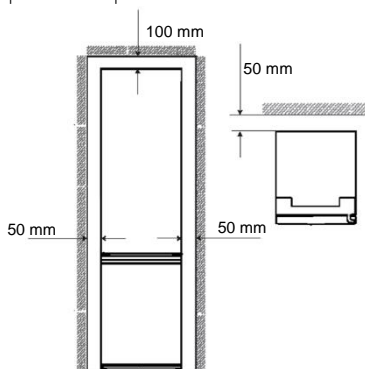
Odporúčanie priestoru

Odporúčaný priestor pri otvorení dverí.



Prierez vetraním

Na dosiahnutie dostatočného vetrania spotrebiča z bezpečnostných dôvodov odporúčame dodržiavať pokyny na odporúčanie priestoru.

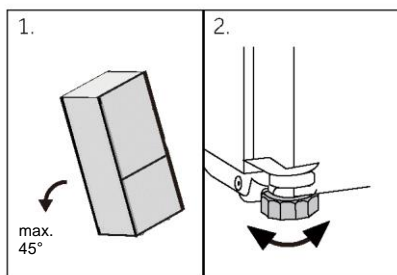


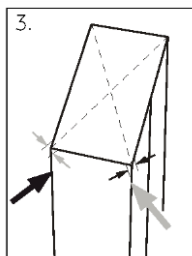
Zarovnanie spotrebiča

Zariadenie musí byť umiestnené na rovnom a pevnom povrchu.

1. Nakloňte chladničku mierne dozadu.
2. Nastavte nožičky na požadovanú úroveň.

Uistite sa, že vzdialenosť od steny na strane závesu je aspoň 100 mm, aby sa dali dvere správne otvoriť.



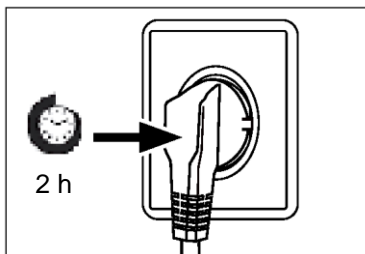


1. Stabilitu môžete skontrolovať striedavým potlačением v smere uhlopriečky. Spotrebič sa môže mierne vykloniť v oboch smeroch. V opačnom prípade môže dôjsť k zdeformovaniu rámu, výsledkom čoho môže byť aj nedostatočné tesnenie dverí. Mierne naklonenia dozadu uľahčuje zatváranie dverí.



POZNÁMKA

Pre samostatne stojaci spotrebič: tento chladiaci spotrebič nie je určený na použitie ako zabudovaný spotrebič.



Doba čakania

V puzdre kompresora sa nachádza bezúdržbový mazací olej. Pri nakláňaní spotrebiča počas prevozu sa tento olej môže dostať cez uzatvorený systém rúrok. Pred pripojením spotrebiča ku zdroju napájania musíte počkať aspoň 2 hodiny, aby olej stiekol späť do puzdra.

Elektrické zapojenie

Pred každým pripojením skontrolujte, či:

- ▶ napájanie, zásuvka a istenie zodpovedajú typovému štítku.
- ▶ je sieťová zásuvka uzemnená a nie je pripojený žiadny adaptér s viacerými zásuvkami ani predĺžovací kábel.
- ▶ sa zástrčka a zásuvka presne zhodujú.

Zástrčku pripojte k správne nainštalovanej domácej zásuvke.



VAROVANIE!

Poškodený napájací kábel musia vymeniť v zákazníckom servise, aby sa zabránilo nebezpečenstvu (pozrite záručný list).



Zmena smeru otvárania dverí

Pred pripojením spotrebiča ku zdroju napájania musíte skontrolovať, či netreba zmeniť smer otvárania dverí z pravej strany (pri dodaní) na ľavú, pokiaľ to vyžaduje miesto inštalácie a pohodlie pri otváraní.



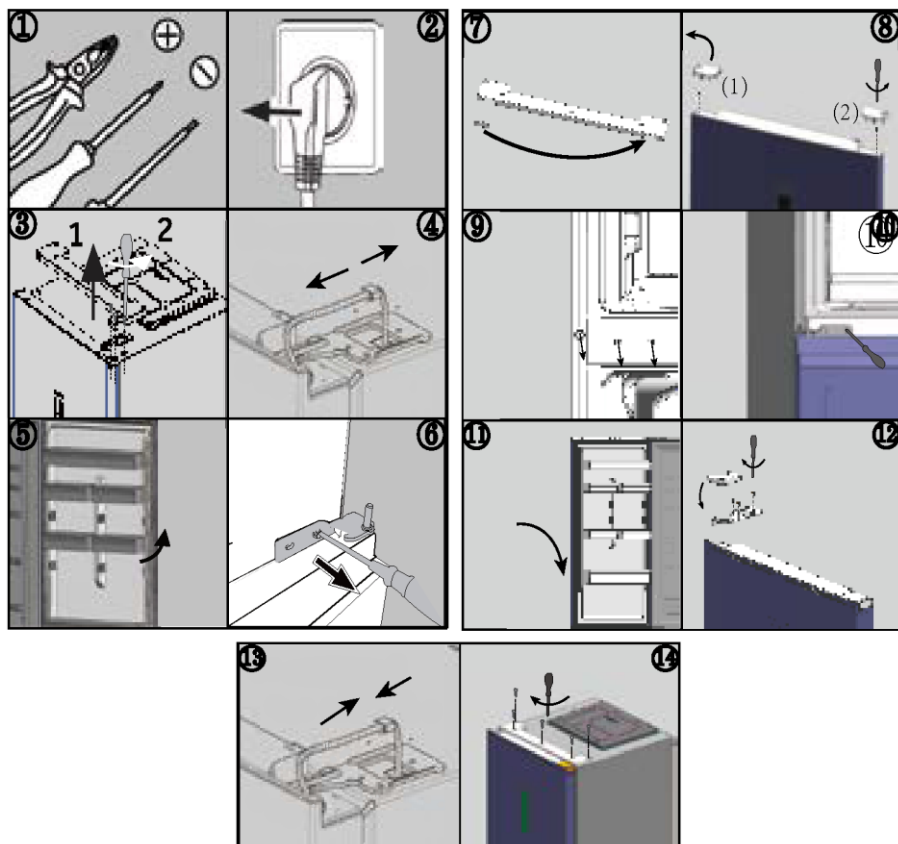
VAROVANIE!

- ▶ Spotrebič je ťažký. Zmenu smeru zatvárania dverí musia vykonávať dve osoby.
- ▶ Pred akýmkoľvek úkonom najskôr odpojte spotrebič od elektrickej siete
- ▶ Spotrebič nenakláňajte o viac ako 45 °C, aby ste predišli poškodeniu chladivacieho systému.

Montážne kroky

1. Zabezpečte si potrebné náradie.
2. Spotrebič odpojte od elektrického napájania.
3. Odstráňte kryt horného závesu 1 a odskrutkujte horný záves (tri skrutky) na pravej strane 2.
4. Odpojte pripojovací kábel
5. Uvoľnené dvere chladničky opatrne zdvihnite zo stredného závesu.
6. Odstráňte stredný záves.
7. Odstráňte malý kryt predného panelu zľava doprava.
8. Obráťte dvere zhora nadol a odskrutkujte kryt (1). Vyberte nový kryt (2) z príslušného vrečka a naskrutkujte na opačnú stranu.
9. Zmeňte polohy záslepiek a skrutky na boku.
10. Naskrutkujte stredný záves na ľavú stranu spotrebiča. Dávajte pozor na prevrátenie otočného čapu stredného závesu a uistite sa, že strana s tesnením smeruje nahor
11. Opatrne zdvihnite horné dvere na stredný záves. Uistite sa, že otočný čap zapadá do náboja závesu spodných dverí.
12. Z vrečka s príslušenstvom vyberte nový horný záves a kryt závesu. Prepojovací kábel prevlečte cez horný záves a upevnite horný záves tromi skrutkami na ľavej strane spotrebiča. Nasad'ite kryt závesu na záves.
13. Pripojte pripojovací kábel.
14. Vymeňte predný panel a upevnite ho piatimi skrutkami.

Po zmene dverí skontrolujte, či sú tesnenia dverí správne umiestnené na kryte a či sú všetky skrutky dobre utiahnuté.



Teplota okolitého prostredia

Rozšírené mierne pásmo: tento chladiaci spotrebič je určený na použitie pri teplotách okolia od 10 °C do 32 °C

Mierne pásmo: tento chladiaci spotrebič je určený na použitie pri teplotách okolia od 16 °C do 32 °C;

Subtropické pásmo: tento chladiaci spotrebič je určený na použitie pri teplotách okolia od 16 °C do 38 °C;

Tropické pásmo: tento chladiaci spotrebič je určený na použitie pri teplotách okolia od 16 °C do 43 °C.



Parametre výrobu podľa nariadenia (EÚ) 2019/2016

Na základe výsledkov štandardného testovania po dobu 24 hodín. Skutočná spotreba energie bude závisieť od používania a umiestnenia spotrebiča.

Model	HTW5618DN*	HTW5620DN*	HTW5618EN*
Typ chladiaceho spotrebiča	Chladnička s mrazničkou	Chladnička s mrazničkou	Chladnička s mrazničkou
Trieda energetickej účinnosti	D	D	E
Ročná spotreba energie (kWh/rok)	217	226	271
Objem chladničky (l)	201	255	201
Objem mraziaceho priestoru (l)	125	125	125
Objem chladiaceho priestoru (l)	34	34	34
Trieda mrazenia	4-hviezdičky	4-hviezdičky	4-hviezdičky
Typ odmrazovania	Automatické rozmrazovanie	Automatické rozmrazovanie	Automatické rozmrazovanie
Čas nábehu teploty (h)	13	13	11
Kapacita zmrazovania (kg/24 h)	10,0	10,0	10,0
Klimatická trieda	SN.N.ST.T	SN.N.ST.T	SN.N.ST.T
Trieda emisie hluku a emisie hluku prenášané vzduchom (dB(A) re 1pW)	B(35)	B(35)	B(35)



Model	HTW5618CN*	HTW5620CN*	HTW5620EN*
Typ chladiaceho spotrebiča	Chladnička s mrazničkou	Chladnička s mrazničkou	Chladnička s mrazničkou
Trieda energetickej účinnosti	C	C	E
Ročná spotreba energie (kWh/rok)	173	181	283
Objem chladničky (l)	201	255	255
Objem mraziaceho priestoru (l)	125	125	125
Objem chladiaceho priestoru (l)	34	34	34
Trieda mrazenia	4-hviezdičky	4-hviezdičky	4-hviezdičky
Typ odmrazovania	Automatické rozmrazovanie	Automatické rozmrazovanie	Automatické rozmrazovanie
Čas nábehu teploty (h)	13	13	11
Kapacita zmrazovania (kg/24 h)	10,0	10,0	10,0
Klimatická trieda	SN.N.ST.T	SN.N.ST.T	SN.N.ST.T
Trieda emisie hluku a emisie hluku prenášané vzduchom (dB(A) re 1pW)	B(35)	B(35)	B(35)



Model	HDPW5618DN*	HDPW5620DN*	HDPW3620DN*
Typ chladiaceho spotrebiča	Chladnička s mrazničkou	Chladnička s mrazničkou	Chladnička s mrazničkou
Trieda energetickej účinnosti	D	D	D
Ročná spotreba energie (kWh/rok)	214	220	220
Objem chladničky (l)	201	255	255
Objem mraziaceho priestoru (l)	117	117	117
Objem chladiaceho priestoru (l)	34	34	34
Trieda mrazenia	4-hviezdičky	4-hviezdičky	4-hviezdičky
Typ odmrazovania	Automatické rozmrazovanie	Automatické rozmrazovanie	Automatické rozmrazovanie
Čas nábehu teploty (h)	13	13	13
Kapacita zmrazovania (kg/24 h)	10,0	10,0	10,0
Klimatická trieda	SN.N.ST.T	SN.N.ST.T	SN.N.ST.T
Trieda emisie hluku a emisie hluku prenášané vzduchom (dB(A) re 1pW)	B(35)	B(35)	B(35)



Model	HDPW3618DN*	HDPW3620CN*	HTW3620DN*
Typ chladiaceho spotrebiča	Chladnička s mrazničkou	Chladnička s mrazničkou	Chladnička s mrazničkou
Trieda energetickej účinnosti	D	C	D
Ročná spotreba energie (kWh/rok)	214	176	226
Objem chladničky (l)	201	255	255
Objem mraziaceho priestoru (l)	117	117	125
Objem chladiaceho priestoru (l)	34	34	34
Trieda mrazenia	4-hviezdičky	4-hviezdičky	4-hviezdičky
Typ odmrazovania	Automatické rozmrazovanie	Automatické rozmrazovanie	Automatické rozmrazovanie
Čas nábehu teploty (h)	13	13	13
Kapacita zmrazovania (kg/24 h)	10,0	10,0	10,0
Klimatická trieda	SN.N.ST.T	SN.N.ST.T	SN.N.ST.T
Trieda emisie hluku a emisie hluku prenášané vzduchom (dB(A) re 1pW)	B(35)	B(35)	B(35)



Model	HDPW5618CN*	HDPW5620CN*	HDPW5620AN*
Typ chladiaceho spotrebiča	Chladnička s mrazničkou	Chladnička s mrazničkou	Chladnička s mrazničkou
Trieda energetickej účinnosti	C	C	A
Ročná spotreba energie (kWh/rok)	171	176	114
Objem chladničky (l)	201	255	255
Objem mraziaceho priestoru (l)	117	117	120
Objem chladiaceho priestoru (l)	34	34	34
Trieda mrazenia	4-hviezdičky	4-hviezdičky	4-hviezdičky
Typ odmrazovania	Automatické rozmrazovanie	Automatické rozmrazovanie	Automatické rozmrazovanie
Čas nábehu teploty (h)	13	13	16
Kapacita zmrazovania (kg/24 h)	10,0	10,0	10,0
Klimatická trieda	SN.N.ST.T	SN.N.ST.T	SN.N.ST.T
Trieda emisie hluku a emisie hluku prenášané vzduchom (dB(A) re 1pW)	B(35)	B(35)	B(35)



Doplnujúce technické údaje

Model	HTW5618DN*	HTW5618EN*	HTW5620DN*
Celkový objem (l)	360	360	414
Napätie/Frekvencia	220~240V/50Hz	220~240V/50Hz	220~240V/50Hz
vstupný prúd (A)	1,4	1,4	1,4
Hlavná poistka (A)	16	16	16
Chladivo	R600a(53g)	R600a(53g)	R600a(53g)
Rozmery (Š/H/V v mm)	595*667*1850	595*667*1850	595*667*2050

Model	HTW5618CN*	HTW5620CN*	HTW5620EN*
Celkový objem (l)	360	414	414
Napätie/Frekvencia	220~240V/50Hz	220~240V/50Hz	220~240V/50Hz
vstupný prúd (A)	1,4	1,4	1,4
Hlavná poistka (A)	15	15	16
Chladivo	R600a(50g)	R600a(50g)	R600a(53g)
Rozmery (Š/H/V v mm)	595*667*1850	595*667*2050	595*667*2050



Model	HDPW5618DN*	HDPW5620DN*	HDPW3620DN*
Celkový objem (l)	352	406	406
Napätie/Frekvencia	220~240V/50Hz	220~240V/50Hz	220~240V/50Hz
vstupný prúd (A)	1,4	1,4	1,4
Hlavná poistka (A)	16	16	16
Chladivo	R600a(53g)	R600a(53g)	R600a(53g)
Rozmery (Š/H/V v mm)	595*667*1850	595*667*2050	595*667*2050

Model	HDPW5618CN*	HDPW5620CN*	HDPW5620AN*
Celkový objem (l)	352	406	409
Napätie/Frekvencia	220~240V/50Hz	220~240V/50Hz	220~240V/50Hz
vstupný prúd (A)	1,4	1,4	1,4
Hlavná poistka (A)	15	15	15
Chladivo	R600a(50 g)	R600a(50 g)	R600a(50 g)
Rozmery (Š/H/V v mm)	595*667*1850	595*667*2050	595*667*2050



Model	HDPW5618CN*	HDPW5620CN*	HDPW5620AN*
Celkový objem (l)	352	406	409
Napätie/Frekvencia	220~240V/50Hz	220~240V/50Hz	220~240V/50Hz
vstupný prúd (A)	1.4	1.4	1.4
Hlavná poistka (A)	15	15	16
Chladivo	R600a(50g)	R600a(50g)	R600a(50g)
Rozmery (Š/H/V v mm)	595*667*1850	595*667*2050	595*667*2050



Odporúčame vám náš zákaznícky servis Haier a použitie originálnych náhradných dielov. Ak máte problém so svojím spotrebičom, najskôr si pozrite časť RIEŠENIE PROBLÉMOV.

Ak tam nenájdete riešenie, kontaktujte

- ▶ svojho miestneho predajcu alebo
- ▶ naše európske stredisko European Call Service-Center (pozri nižšie uvedené telefónne čísla) alebo
- ▶ oblasť Service & Support na stránke www.haier.com, kde môžete požiadať o servis
- ▶ a nájsť odpovede na najčastejšie otázky.

Ak chcete kontaktovať náš servis, uistite sa, že máte k dispozícii nasledujúce údaje. Informácie nájdete na typovom štítku.

Model _____

Sériové č. _____

V prípade záruky skontrolujte aj záručný list dodaný s výrobkom.

European Call Service-Center		
Krajina*	Telefónne číslo	Náklady
Haier Italy (IT)	199 100 912	
Haier Spain (ES)	902 509 123	
Haier Germany (DE)	0180 5 39 39 99	<ul style="list-style-type: none"> • 14 centov/min. pevná linka • max. 42 centov/min. mobil
Haier Austria (AT)	0820 001 205	<ul style="list-style-type: none"> • 14,53 centov/min. pevná linka • max. 20 centov/min. všetky ostatné
Haier United Kingdom (UK)	0333 003 8122	
Haier France (FR)	0980 406 409	



* Ďalšie krajiny nájdete na stránke www.haier.com

Haier Europe Trading S.r.l

Pobočka UK

Westgate House, Westgate, Ealing

London, W5 1YY

*Trvanie záruky na chladiaci spotrebič:

Minimálna záruka je: 2 roky pre krajiny EÚ, 3 roky pre Turecko, 1 rok pre Spojené kráľovstvo, 1 rok pre Rusko, 3 roky pre Švédsko, 2 roky pre Srbsko, 5 rokov pre Nórsko, 1 rok pre Maroko, 6 mesiacov pre Alžírsko, Tunisko nevyžaduje žiadnu zákonnú záruku.

* Obdobie poskytovania náhradných dielov na opravu spotrebiča:

Termostaty, snímače teploty, dosky plošných spojov a svetelné zdroje sú k dispozícii minimálne sedem rokov po uvedení poslednej jednotky modelu na trh.

Kľučky, závesy dverí, podnosy a koše minimálne na obdobie siedmich rokov a tesnenia dverí na minimálne 10 rokov po uvedení poslednej jednotky modelu na trh.

*Ďalšie informácie o výrobku nájdete na stránke <https://eprel.ec.europa.eu/> alebo si naskenujte QR kód na štítku s údajmi o elektrickej spotrebe spotrebiča.

Haier



Посібник користувача

Холодильник з морозильною камерою

HTW5618DN*	HDPW5618CN*
HTW5618DW*	HDPW5618DW*
HTW5620DN*	HDPW5620BN*
HTW5618EN*	HDPW5620CN*
HTW5620EN*	HDPW5620AN*
HTW5618CN*	HDPW5620DN*
HTW5620CN*	HDPW5618DN*
HTW3620DN*	HDPW3620CN*
	HDPW3620DN*
	HDPW3618DN*

*=колір: PT, MG, MP, PD, PK, PW

УКР



ПОПЕРЕДЖЕННЯ: Ризик пожежі/займистий матеріал
Символ вказує на ризик пожежі, оскільки використовуються
легкозаймісті матеріали. Слідкуйте за тим, щоб не спричинити пожежу
через підпал легкозаймистих матеріалів.

<u>5 Інформація про безпеку</u>	•	Перед першим використанням	6
		Встановлення	6
		Щоденне використання	7
<u>10 Призначення</u>	•		
<u>11 Опис продукту</u>	•		
<u>19 Панель керування</u>	•		
<u>20 Використання</u>	•	Температура холодильника	21
		Температура морозильної камери	21
		Температура My Zone	21
		Функція суперохолодження	22
		Функція суперзаморожування	23
<u>28 Обладнання</u>	•		
<u>32 Поради щодо економії енергії</u>	•		
<u>33 Догляд та очищення</u>	•		
<u>36 Усунення несправностей</u>	•		
<u>40 Встановлення</u>	•		
<u>44 Технічні дані</u>	•		
<u>50 Обслуговування клієнтів</u>	•		

Дякуємо за придбання продукту Haier.

Перед використанням приладу уважно прочитайте ці інструкції. Інструкції містять важливу інформацію, яка допоможе вам максимально використати функції вашого пристрою та безпечно та правильно встановлювати, експлуатувати та обслуговувати його.

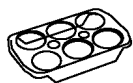
Будь ласка, зберігайте цю інструкцію з експлуатації в доступному місці для подальшого використання.

Завжди використовуйте його, щоб забезпечити безпечне та належне використання пристрою.

Якщо ви продаєте прилад, додайте до нього цю інструкцію з експлуатації, а якщо ви переїжджаєте, передайте його новому власнику, щоб він або вона міг ознайомитися з приладом і попередженнями щодо безпеки.

Комплектація

Перевірте аксесуари та документи відповідно до цього списку:



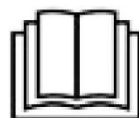
Лоток для яєць



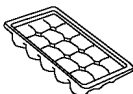
Енергетична лейба



Гарантійний талон



Посібник користувача



Лоток для льоду



Дверні петлі



Кришка петлі



Розеткова вставка

**ПОПЕРЕДЖЕННЯ - Важлива інформація з безпеки****ПРИМІТКА. Загальна інформація та поради****Екологічна інформація****Утилізація**

Допоможіть захистити довкілля та здоров'я людей. Утилізуйте упаковку у відповідні контейнери для переробки. Допоможіть переробити відходи від електричних та електронних пристроїв. Не викидайте пристрої, позначені цим символом, разом із побутовим сміттям. Віднесіть виріб на місцевий пункт переробки або зверніться до міської влади.

**УВАГА!**

Ризик травмування або задухи!

Холодоагенти та гази необхідно утилізувати професійним способом. Перед утилізацією переконайтеся, що труби холодоагенту не пошкоджені. Від'єднайте пристрій від електромережі. Відріжте шнур живлення та утилізуйте його. Зніміть лотки, ящики, дверні замки й ущільнювачі, щоб запобігти замиканню дітей і домашніх тварин у приладі.



Перш ніж увімкнути пристрій уперше, прочитайте наступні інструкції з безпеки:



УВАГА!

Перед першим використанням

- ▶ Переконайтеся, що під час транспортування немає пошкоджень.
- ▶ Зніміть всю упаковку та зберігайте в недоступному для дітей місці.
- ▶ Зачекайте принаймні дві години, перш ніж встановлювати прилад, щоб переконатися, що контур холодоагенту працює повністю.
- ▶ Завжди переносьте пристрій принаймні двома людьми, оскільки він важкий.

Встановлення

- ▶ Пристрій слід розміщувати в добре провітрюваному місці. Переконайтеся, що над приладом і навколо нього є щонайменше 10 см вільного простору.
- ▶ Ніколи не ставте пристрій у вологе місце або там, де на нього можуть бризнути вода. Витріть сухі плями та розлиті води м'якою чистою тканиною.
- ▶ Не встановлюйте пристрій у місцях, де на нього потраплятимуть прямі сонячні промені, або поблизу джерел тепла (наприклад, печей, радіаторів).
- ▶ Встановіть і вирівняйте пристрій у місці, яке відповідає його розміру та призначенню.
- ▶ Тримайте вентиляційні отвори в корпусі окремо стоячого приладу або у вбудованій конструкції вільними.
- ▶ Переконайтеся, що електрична інформація на заводській табличці відповідає параметрам джерела живлення. Якщо це не так, зверніться до електрика.
- ▶ Пристрій працює від джерела живлення 220–240 В змінного струму/50 Гц. Аномальні коливання напруги можуть призвести до того, що пристрій не вмикається або пошкодить регулятор температури чи компресор. Вони також можуть викликати незвичний шум під час роботи. В цьому випадку слід встановити автоматичний регулятор.
- ▶ Не використовуйте адаптери або подовжувачі.
- ▶ Не розміщуйте кілька подовжувачів живлення або портативних блоків живлення за пристроєм.
- ▶ Переконайтеся, що кабель живлення не защемлений холодильником. Не наступайте на шнур живлення.

**УВАГА!**

- ▶ Використовуйте окрему, легкодоступну та заземлену розетку. Прилад повинен бути заземлений.
- ▶ Лише для Великобританії: кабель живлення для цього приладу оснащено 3-контактною (заземленою) вилкою, яка підійде до стандартної 3-жильної (заземленої) розетки. Ніколи не відрізайте та не знімайте третій (заземлюючий) контакт. Після того, як пристрій встановлено, вилка має бути легкодоступною.
- ▶ Будьте обережні, щоб не пошкодити контур холодоагенту.

Щоденне використання

- ▶ Приладом можуть користуватися діти віком від 8 років і особи з обмеженими фізичними, сенсорними чи розумовими здібностями або без досвіду чи знань, за умови, що вони перебувають під відповідним наглядом або проінструктовані щодо безпечного використання приладу та розуміють пов'язані з цим ризики.
- ▶ Дітям віком від 3 до 8 років дозволяється завантажувати та розвантажувати, але не чистити та встановлювати холодильне обладнання.
- ▶ Тримайте дітей віком до 3 років подалі від приладу, якщо вони не знаходяться під постійним наглядом.
- ▶ Діти не повинні гратися з приладом.
- ▶ Якщо холодоагент або інший легкозаймистий газ витікає поблизу приладу, закрийте вентиль витoku газу, відкрийте двері та вікна та не від'єднуйте кабель живлення холодильника чи іншого приладу.
- ▶ Зверніть увагу, що пристрій налаштовано на роботу в певному температурному діапазоні від 10 до 43°C. Холодильник може не працювати належним чином, якщо протягом тривалого часу залишати його при температурах вище або нижче зазначеного діапазону.
- ▶ Не кладіть на холодильник нестійкі предмети (важкі предмети, ємності з водою), щоб уникнути травм внаслідок падіння або ураження електричним струмом через контакт з водою.
- ▶ Не тягніть дверні полиці. Дверцята можуть бути нахилені, підставка для пляшок може бути висунута або прилад може перекинутися.
- ▶ Відкривайте та закривайте двері лише за ручки. Щілина між дверцятами і корпусом дуже вузька. Не кладіть руки в ці місця, щоб не защемити пальці. Відкривайте і закривайте дверцята холодильника тільки тоді, коли в зоні руху дверей немає дітей.



УВАГА!

- ▶ Не зберігайте та не використовуйте легкозаймисті, вибухонебезпечні або корозійні матеріали всередині пристрою або поблизу нього.
- ▶ Не зберігайте в пристрої ліки, бактерії або хімікати. Цей прилад є побутовим. Не рекомендується зберігати матеріали, які вимагають строго певної температури.
- ▶ Ніколи не зберігайте в морозильній камері рідини в пляшках або банках (крім алкогольних напоїв), особливо газовані напої, оскільки вони можуть лопнути під час заморожування.
- ▶ Перевірте стан продуктів, якщо температура в морозильній камері підвищилася.
- ▶ Не встановлюйте необґрунтовано низьку температуру в холодильній камері. При високих налаштуваннях можлива негативна температура. Попередження: пляшки можуть вибухнути
- ▶ Не торкайтеся заморожених продуктів мокрими руками (одягайте рукавички). Зокрема, льодяники не можна їсти відразу після того, як їх витягли з морозильної камери. Існує ризик обмерзання епідермісу або утворення пухирів. ПЕРША ДОПОМОГА: негайно полийте холодною проточною водою обмерзлу ділянку. Не відривай!
- ▶ Не торкайтеся внутрішніх частин морозильної камери під час роботи, особливо мокрими руками, оскільки вони можуть примерзнути до поверхні.
- ▶ Вимкніть пристрій із розетки у разі збою живлення або перед чищенням. Не перезапускайте пристрій протягом принаймні 7 хвилин, оскільки занадто швидко перезапуск може пошкодити компресор.
- ▶ Не використовуйте електричні прилади всередині відділень для зберігання продуктів, якщо вони не рекомендовані виробником. Обслуговування / Очищення
- ▶ Слідкуйте за тим, щоб під час чищення та обслуговування приладу діти перебували під наглядом.
- ▶ Перед виконанням поточного технічного обслуговування від'єднайте прилад від електромережі. Зачекайте принаймні 5 хвилин, перш ніж перезапустити пристрій, оскільки часті перезапуски можуть пошкодити компресор.

**УВАГА!**

- ▶ Від'єднуючи пристрій від мережі, тримайтеся за вилку, а не за шнур.
- ▶ Не очищайте пристрій жорсткими щітками, дротяними щітками, миючими порошками, бензином, амілацетатом, ацетоном або подібними органічними розчинами, кислотними або лужними розчинами. Під час чищення використовуйте спеціальний миючий засіб для холодильника, щоб уникнути пошкодження.
- ▶ Не згрібайте ніг і лід гострими предметами. Не використовуйте спреї, електронагрівачі, такі як фени, пароочищувачі та інші джерела тепла, щоб не пошкодити пластикові частини.
- ▶ Не використовуйте механічні пристрої чи інші засоби для прискорення процесу розморожування, якщо вони не рекомендовані виробником.
- ▶ Якщо кабель живлення пошкоджено, з міркувань безпеки його має замінити виробник, авторизований сервісний центр або особа з аналогічною кваліфікацією.
- ▶ Не намагайтеся ремонтувати, розбирати або модифікувати пристрій самостійно. Якщо вам потрібен ремонт, зверніться до нашого відділу обслуговування клієнтів.
- ▶ Видаліть пил із задньої панелі пристрою принаймні раз на рік, щоб уникнути небезпеки пожежі та збільшення споживання енергії.
- ▶ Під час чищення не використовуйте спрей і не змивайте пристрій.
- ▶ Не використовуйте воду або пару для очищення пристрою.
- ▶ Не мийте холодні скляні полиці гарячою водою. Різкі зміни температури можуть призвести до тріщини скла.

Інформація про холодоагент**УВАГА!**

Прилад містить легкозаймистий холодоагент ISOBUTANE (R600a).

Переконайтеся, що система охолодження не була пошкоджена під час транспортування або встановлення. Витік холодоагенту може спричинити пошкодження очей або запалення. Якщо сталося пошкодження, тримайте пристрій подалі від відкритого вогню, ретельно провітрюйте приміщення, не підключайте та не від'єднуйте кабелі живлення цього чи будь-якого іншого пристрою. Будь ласка, повідомте службу підтримки клієнтів. Якщо холодоагент потрапив у ваші очі, негайно промийте їх проточною водою та негайно зверніться до офтальмолога



Призначення

Цей прилад призначений для охолодження та заморожування продуктів. Він розроблений лише для використання в домашньому господарстві та подібних додатках, таких як кухонні зони персоналу в магазинах, офісах та інших робочих середовищах; на фермах і клієнтами в готелях, мотелях та інших житлових приміщеннях, а також у гостьових будинках і ресторанах. Він не призначений для комерційного чи промислового використання. Зміни або модифікації пристрою заборонені. Неправильне використання може призвести до небезпеки та втрати гарантійних вимог.

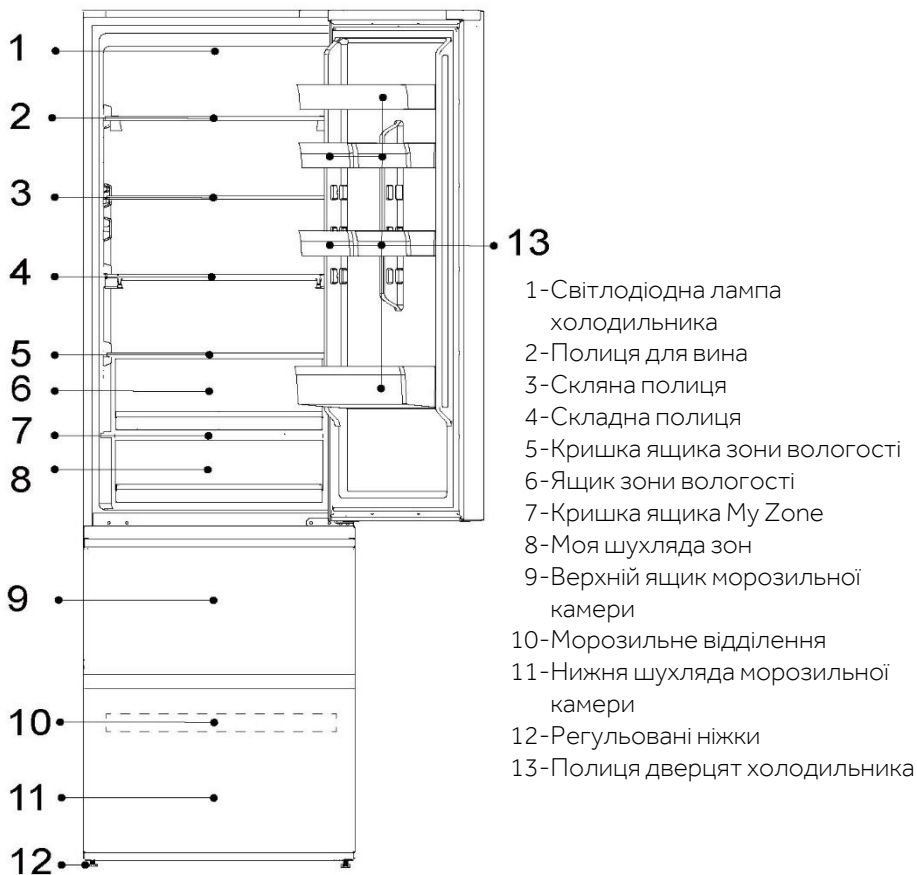
Норми та директиви **CE**

Цей продукт відповідає всім застосовним директивам ЄС з відповідними гармонізованими стандартами, які передбачають маркування CE.

i Примітка

Через технічні зміни та різні моделі деякі ілюстрації в цьому посібнику можуть відрізнятися залежно від моделі.

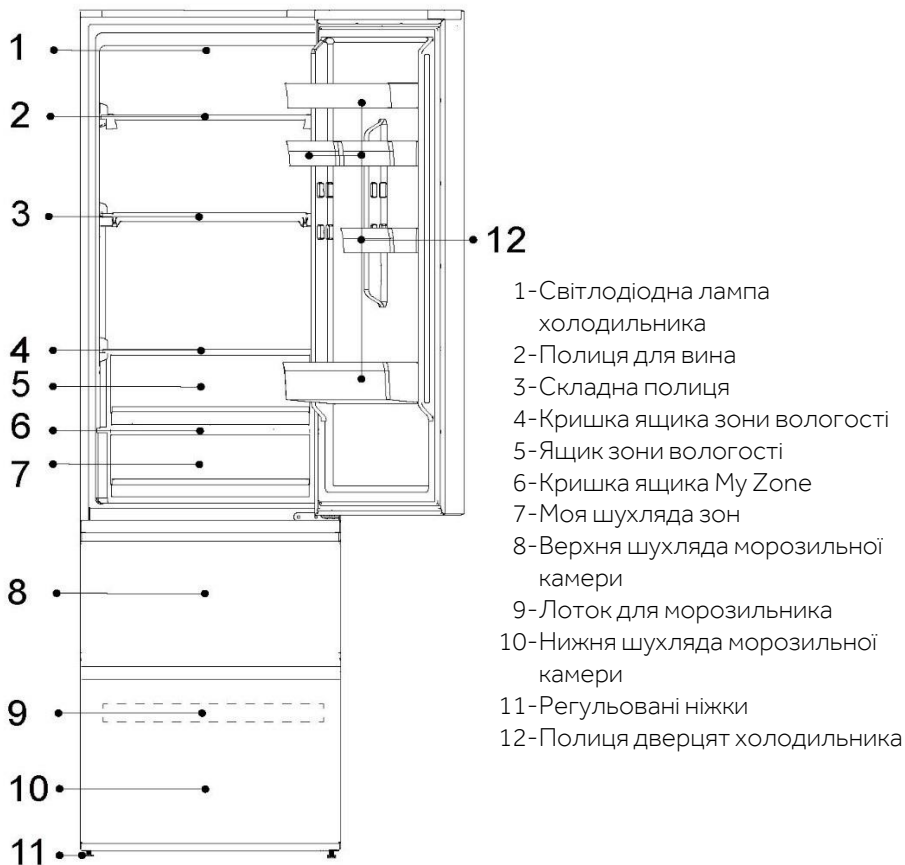
(HTW5620EN*, HTW5620DN*, HTW5620CN*)



i Примітка

Через технічні зміни та різні моделі деякі ілюстрації в цьому посібнику можуть відрізнятися залежно від моделі.

(HTW5618DN*, HTW5618CN*, HTW5618EN*)

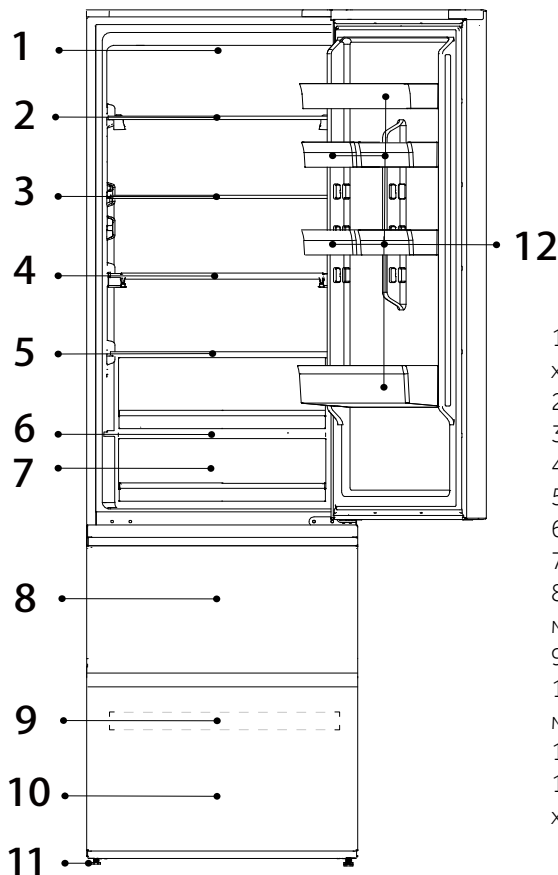


- 1-Світлодіодна лампа холодильника
- 2-Полиця для вина
- 3-Складна полиця
- 4-Кришка ящика зони вологості
- 5-Ящик зони вологості
- 6-Кришка ящика My Zone
- 7-Моя шухляда зон
- 8-Верхня шухляда морозильної камери
- 9-Лоток для морозильника
- 10-Нижня шухляда морозильної камери
- 11-Регульовані ніжки
- 12-Полиця дверцят холодильника

i Примітка

Через технічні зміни та різні моделі деякі ілюстрації в цьому посібнику можуть відрізнятися залежно від моделі.

(HTW3620EN*, HTW3620DN*, HTW3620CN*)

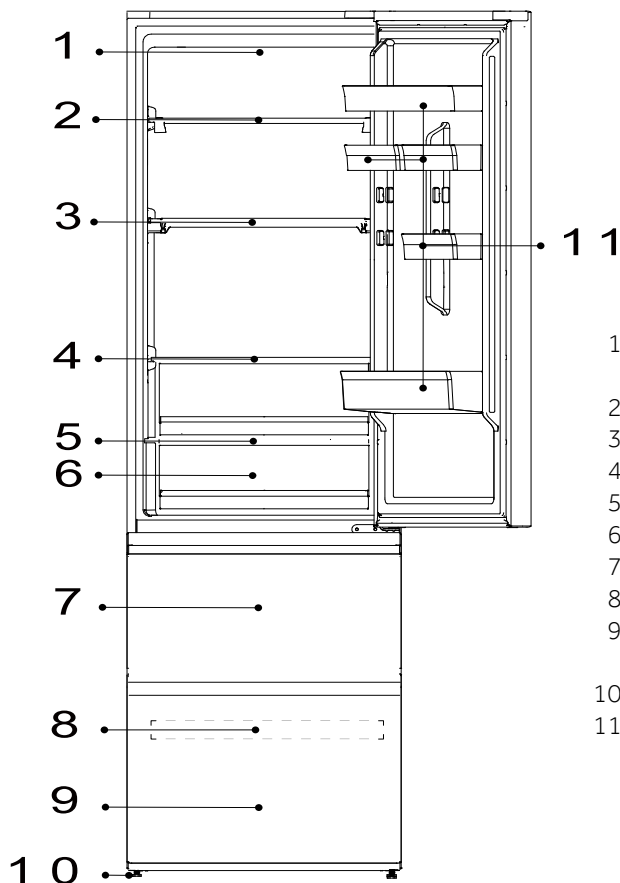


- 1- Світлодіодна лампа холодильника
- 2- Скляна полиця
- 3- Скляна полиця
- 4- Скляна полиця
- 5- Скляна полиця
- 6- Кришка ящика My Zone
- 7- Моя шухляда зон
- 8- Верхня шухляда морозильної камери
- 9- Лоток для морозильника
- 10- Нижня шухляда морозильної камери
- 11- Регульовані ніжки
- 12- Полиця дверцят холодильника

i Примітка

Через технічні зміни та різні моделі деякі ілюстрації в цьому посібнику можуть відрізнятися залежно від моделі.

(HTW3618EN*, HTW3618DN*, HTW3618CN*)

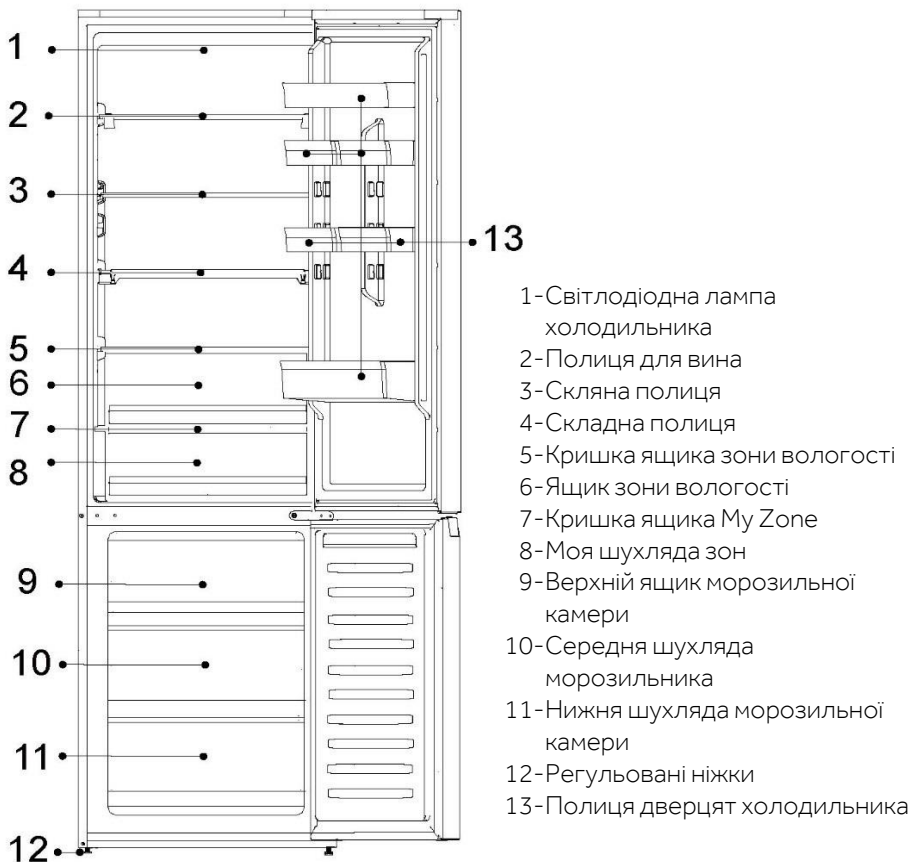


- 1-Світлодіодна лампа холодильника
- 2-Скляна полиця
- 3-Скляна полиця
- 4-Скляна полиця
- 5-Кришка ящика My Zone
- 6-Моя шухляда зон
- 7-Верхній ящик морозильника
- 8-Лоток для морозильника
- 9-Нижній ящик морозильної камери
- 10-Регульовані ніжки
- 11-Полиця дверцят холодильника

i Примітка

Через технічні зміни та різні моделі деякі ілюстрації в цьому посібнику можуть відрізнятися залежно від моделі.

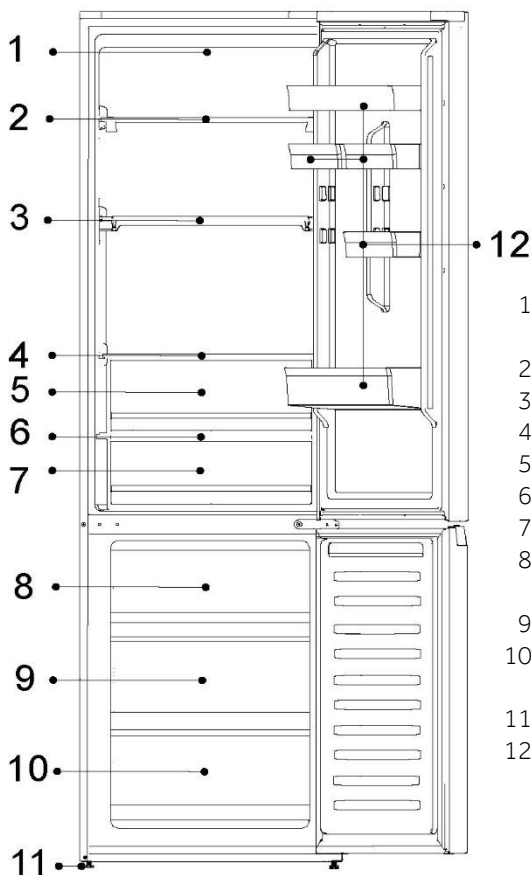
(HDPW5620DN*, HDPW5620CN*, HDPW5620BN*, HDPW5620AN*)



i Примітка

Через технічні зміни та різні моделі деякі ілюстрації в цьому посібнику можуть відрізнятися залежно від моделі.

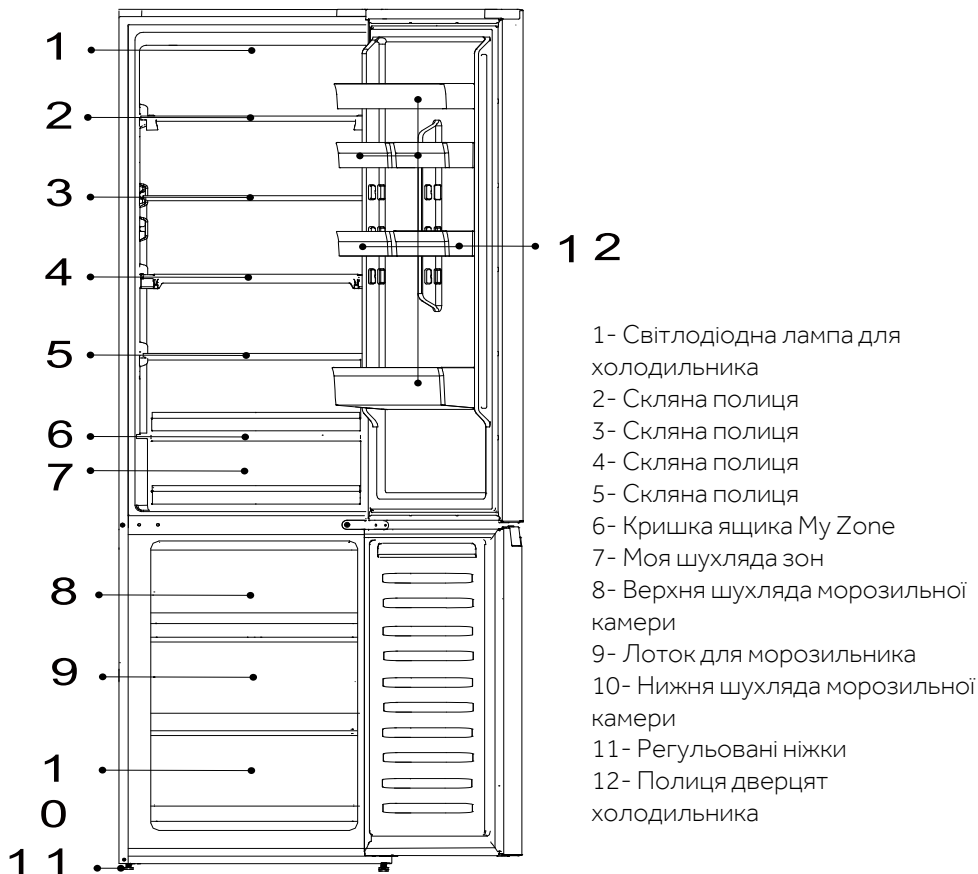
(HDPW5618DN*, HDPW5618CN*)



- 1-Світлодіодна лампа для холодильника
- 2-Сійка для вина
- 3-Складна полиця
- 4-Кришка ящика зони вологості
- 5-Ящик зони вологості
- 6-Кришка ящика My Zone
- 7-Моя шухляда зон
- 8-Верхня шухляда морозильної камери
- 9-Середній ящик морозильника
- 10- Нижня шухляда морозильної камери
- 11- Регульовані ніжки
- 12- Полиця дверцят холодильника

i Примітка

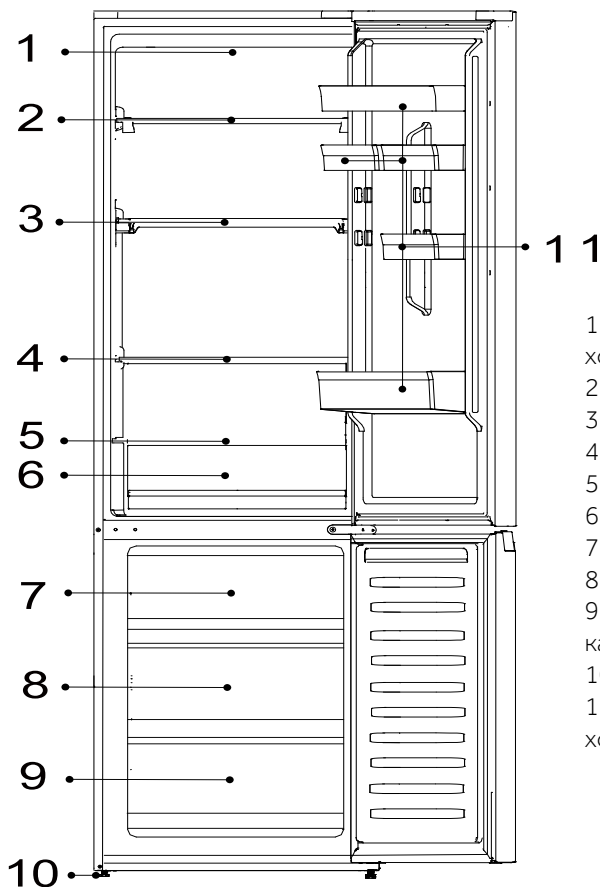
Через технічні зміни та різні моделі деякі ілюстрації в цьому посібнику можуть відрізнятися залежно від моделі.
(HDPW3620DN*, HDPW3620CN*)





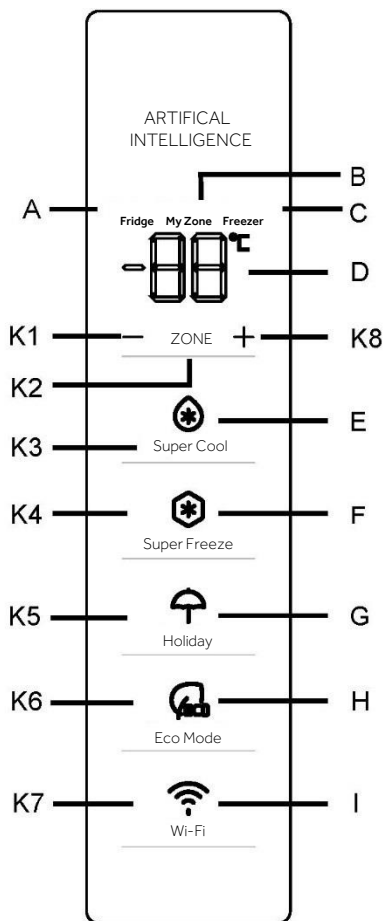
i Примітка

Через технічні зміни та різні моделі деякі ілюстрації в цьому посібнику можуть відрізнятися від моделі.
(HDPW3618DN*, HDPW3618CN*)



- 1- Світлодіодна лампа для холодильника
- 2- Скляна полиця
- 3- Скляна полиця
- 4- Скляна полиця
- 5- Кришка ящика My Zone
- 6- Моя шухляда зон
- 7- Верхній ящик морозильника
- 8- Лоток для морозильника
- 9- Нижній ящик морозильної камери
- 10- Регульовані ніжки
- 11- Полиця дверцят холодильника

Панель керування



Індикатори:

- A Холодильна камера
- B Холодильна камера (My Zone)
- C Морозильна камера
- D Відображення температури
- E Функція суперохолодження
- F Функція суперзаморожування
- G Функція відпустки
- H Функція Еко
- I Функція Wi-Fi

Кнопки:

- K1 Зниження температури
- K2 Вибір: Холодильник, My Zone, морозильна камера
- K3 Увімкнення/вимкнення функції суперохолодження
- K4 Увімкнення/вимкнення функції суперзаморожування
- K5 Увімкнення/вимкнення функції відпустки
- K6 Увімкнення/вимкнення режиму Еко
- K7 Увімкнення/вимкнення функції Wi-Fi
- K8 Підвищення температури

Перед першим використанням

Зніміть всю упаковку, зберігайте її в недоступному для дітей місці та утилізуйте її екологічно чистим способом.

Очистіть пристрій усередині та зовні, а також внутрішню частину та аксесуари м'яким миючим засобом і водою, а потім добре витріть насухо м'якою тканиною.

Після вирівнювання та очищення пристрою зачекайте принаймні 2 години, перш ніж підключати його до джерела живлення. Дивіться розділ «ВСТАНОВЛЕННЯ».

Перш ніж додавати продукти, попередньо охолодіть відділення на високих рівнях. Функція Super Freeze допомагає швидко охолодити морозильне відділення.

Сенсорні клавіші

Кнопки на панелі керування — це сенсорні клавіші, які реагують на легкий дотик пальцем..

Увімкнути/вимкнути пристрій

Пристрій почне працювати, як тільки буде підключено до джерела живлення.

При першому включенні приладу індикатори температури «D» показують задані значення (див. Примітку нижче).

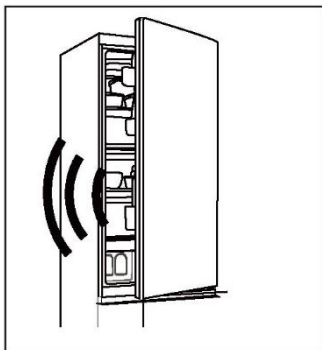
Примітка

Прилад попередньо налаштовано на рекомендовану температуру 5°C (холодильник) і -18°C (морозильна камера). Температура «Моя зона» попередньо встановлена приблизно на 2°C. Це рекомендовані налаштування. При необхідності ви можете вручну змінити встановлену температуру.

Сигналізація відкритих дверей

Якщо двері холодильника відкриті більше 3 хвилин, пролунає сигнал про відкриті двері.

Сигналізацію дверей також можна вимкнути, закривши двері. Якщо двері залишаються відкритими більше ніж на 7 хвилин, внутрішнє освітлення холодильника та панель керування автоматично вимикаються..



Відрегулюйте температуру

На температуру всередині холодильника впливають такі фактори::

- ▶ Температура навколишнього середовища
- ▶ Частота відкривання дверей
- ▶ Кількість продуктів, що зберігаються
- ▶ Установка пристрою



Відрегулюйте температуру холодильника

1. Натисніть кнопку «K2» (Вибір холодильника/My Zone/Морозильної камери), щоб вибрати холодильну камеру. Значок «А» (холодильник) і «D» (індикація температури) підсвічується.
2. Натисніть кнопку «K1/K8», щоб встановити температуру холодильника.

Температура підвищується послідовно на 1°C, від мінімуму 2°C до максимуму 8°C. Оптимальна температура в холодильнику - 5°C. Нижчі температури означають непотрібне споживання енергії.

3. Приблизно через 5 секунд значок температури «D» (зображення температури) буде світитися постійно, і налаштування буде підтверджено.

Встановіть температуру морозильника

1. Натисніть кнопку «K2» (Вибір холодильника/My Zone/Морозильної камери), щоб вибрати морозильне відділення. Піктограми «C» (морозильна камера) і «D» (індикація температури) підсвічуються.
2. Натисніть кнопку «K1/K8», щоб встановити температуру морозильника.

Температура підвищується послідовно на 1°C, від мінімальної -24°C до максимальної -16°C. Оптимальна температура в морозильнику 18°C. Нижчі температури означають непотрібне споживання енергії.

3. Приблизно через 5 секунд індикатор температури «D» (зображення температури) буде світитися рівно, і налаштування буде підтверджено.

Встановіть температуру My Zone

Холодильник оснащений ящиком My Zone. Відповідно до вимог зберігання харчових продуктів можна вибрати найбільш підходящу температуру для отримання оптимальної поживної цінності їжі.

1. Натисніть кнопку «K2» (вибір холодильника/My Zone/Морозильної камери), щоб вибрати відділення My Zone. Піктограма «B» (відсік «My Zone») і «D» (зображення температури) підсвічуються.
2. Натисніть кнопку «K1/K8», щоб установити температуру камери My Zone.

Температура підвищується послідовно на 1°C, від мінімуму 0°C до максимуму 5°C.

3. Приблизно через 5 секунд значок температури «D» (зображення температури) буде світитися постійно, і налаштування буде підтверджено.



i Примітка

1. Ви можете встановити середню температуру у відділенні My Zone (2°C), щоб зберігати продукти в оптимальних умовах.
2. Через різний вміст води в м'ясі деякі сорти м'яса з вищим вмістом вологи заморозуватимуться при температурі нижче 0°C. Отже, м'ясо «миттєвої нарізки» слід зберігати в шухляді My Zone, при хв. температура 0°C.
3. Фрукти, чутливі до холоду, такі як ананас, авокадо, банани, грейпфрути і такі овочі, як картопля, баклажани, квасоля, огірки, кабачки, помідори та сир не можна зберігати в шухляді My Zone.
4. Якщо температура в холодильнику нижча за температуру «Моєї зони», це нормально, що температура в «My Zone» буде нижчою за встановлену температуру для «My Zone».

i Примітка

Після встановлення температури, якщо протягом 5 секунд натиснути інші кнопки, поточне налаштування температури буде негайно підтверджено. Якщо протягом 5 секунд не натиснути жодну кнопку, поточна встановлена температура відобразатиметься, доки екран не вимкнеться.

i Примітка

У застосунку ви можете регулювати температуру для холодильника, морозильника та відділення My Zone. Температуру можна встановити з точністю до 1°C.

Функція суперохолодження

1. Під час зберігання великої кількості продуктів (наприклад, після покупки) рекомендується вмикати функцію суперохолодження. Функція суперохолодження прискорює охолодження свіжих продуктів і захищає вже збережені продукти від небажаного нагрівання.
2. Натисніть кнопку «КЗ» або увімкніть його через застосунок, іконка «Е» (функція суперохолодження) засвітиться, і функція буде активована.



i Примітка

1. Пристрій вимикається з функції «Super Cool» після входу в функцію «суперохолодження» протягом 6 годин або після натискання кнопки «K3», коли світиться значок «E» (функція суперохолодження), або після вимкнення в застосунку.
2. У режимі суперохолодження, якщо температура холодильного відділення відрегульована, значок «E» (функція суперохолодження) блимає, вказуючи, що цю операцію неможливо виконати.

Функція суперзаморожування

1. Свіжі продукти слід заморожувати якомога швидше. Це дозволяє зберегти найкращу харчову цінність, зовнішній вигляд і смак. Функція суперзаморожування прискорює заморожування свіжих продуктів і захищає вже збережені продукти від небажаного нагрівання. Якщо вам потрібно заморозити велику кількість продуктів одночасно, рекомендується активувати функцію суперзаморожування за 24 години до використання морозильного приміщення.
2. Натисніть кнопку «K4» (налаштування суперзаморожування) або увімкніть її через застосунок, значок «F» (функція суперзаморожування) засвітиться, і функція буде активована.

i Примітка

1. Пристрій вимикається з функції «Суперзаморожування» після введення функції «Суперзаморожування» протягом 50 годин або натискання кнопки «K4», коли світиться значок «F» (Суперзаморожування), або вимкнення його в програмі.
2. У режимі суперзаморожування, якщо регулюється температура морозильного відділення, значок «F» (функція суперзаморожування) блимає, вказуючи на те, що операцію неможливо виконати.

Функція відпустки

Функцію «Відпустка» можна використовувати для зменшення споживання енергії пристроєм, коли він не використовується регулярно. Коли цю функцію увімкнено, холодильник вимкнеться, а морозильна камера працюватиме в звичайному режимі. Ця функція постійно встановлює температуру холодильника на 17°C.

Це дозволяє закривати дверцята порожнього холодильника, не викликаючи неприємних запахів або цвілі - під час тривалої відсутності (наприклад, під час відпустки). Морозильну камеру можна вільно розташовувати.

1. Натисніть кнопку «K5» (функція «Відпустка» увімкнено/вимкнено) або виберіть функцію з APP, значок «G» (функція «Відпустка») засвітиться, і функція буде активована.



2. Функцію можна вимкнути, натиснувши кнопку «К5» ще раз (функція «Відпустка» увімк./вимк.), або встановивши температуру холодильника чи будь-який інший параметр, або вимкнувши його через додаток.

Примітка

1. Під час використання функції «Відпустка» не зберігайте продукти в холодильній камері. Температура +17°C занадто висока для зберігання продуктів.
2. Коли функцію «Відпустка» увімкнено, піктограма «Моя зона» залишається вимкненою,
3. і функція холодильника заблокована. Якщо температуру холодильної камери встановлено, значок «G» (функція «Відпустка») блимає, вказуючи, що цю операцію неможливо виконати.

Функція Еко

Еко режим можна активувати, щоб оптимізувати продуктивність приладу, одночасно досягаючи найкращого збереження продуктів. Якщо у вас немає особливих вимог, рекомендуємо використовувати екорегим.

У цьому режимі температура холодильної камери становить 5°C, температура морозильної камери - 18°C.

1. Натисніть кнопку «К6» (увімкнення/вимкнення функції Еко) або виберіть функцію в додатку.
2. Піктограма «Н» (функція Еко) світиться, і функція ввімкнена. Повторивши наведені вище кроки або вибравши іншу функцію або вийшовши з програми, ви можете знову вимкнути функцію. Буде відновлено встановлені раніше рівні охолодження.

Примітка

Під час роботи режиму Еко, якщо температура холодильної/морозильної камери налаштована, значок «Н» (режим Еко) блимає, вказуючи на те, що цю операцію неможливо виконати.

Крок 1 Завантажте застосунок hOn із магазинів.

			
<p>Крок 2 Створіть обліковий запис у застосунку hOn або увійдіть, якщо у вас уже є обліковий запис.</p> 	<p>Крок 3 Дотримуйтесь інструкцій з підключення в застосунку hOn.</p> 		

Функція Wi-Fi

1. Дотримуйтесь інструкцій програми, щоб налаштувати мережу Wi-Fi.
2. Після того, як мережу Wi-Fi налаштовано та підключено, значок Wi-Fi «I» світитиметься і світитиметься постійно.
3. Якщо Wi-Fi уже налаштовано, коли ви ввімкнете Wi-Fi, він автоматично повторно підключиться відповідно до вашої конфігураційної інформації.

Примітка

1. Щоб вимкнути Wi-Fi, натисніть кнопку Wi-Fi «K7», і значок Wi-Fi «I» вимкнеться.
2. Щоб увімкнути Wi-Fi і почати налаштування, натисніть кнопку Wi-Fi «K7», і значок Wi-Fi «I» повільно блимає. Якщо ви хочете налаштувати функцію Wi-Fi, натисніть кнопку «K7» протягом 3 секунд, іконка Wi-Fi швидко блимає та перейде в режим налаштування. Якщо ви хочете вимкнути функцію Wi-Fi, натисніть один раз кнопку «K7». Наведені вище кроки повторюються.
3. Якщо вибір було налаштовано, а функція Wi-Fi була вимкнена, холодильник не перейде в режим налаштування після повторного підключення до джерела живлення.

Примітка

1. Цей продукт не призначений для комерційного використання.
2. Максимальна вихідна радіочастотна потужність: 2,4 ГГц Wi-Fi: 16 дБм;
3. Bluetooth® Low Energy: 5 дБм; Bluetooth®(BR/EDR): 10 дБм.
4. Діапазон робочих частот: 2400-2483,5 МГц.



Зберігання в холодильній камері

Словесний знак та логотипи Bluetooth® є зареєстрованими торговими марками, що належать Bluetooth SIG, Inc., і будь-яке використання цих знаків компанією Candy Hoover Group SRL здійснюється за ліцензією. Інші торгові марки та торгові назви належать їхнім відповідним власникам.

- Підтримуйте температуру в холодильнику нижче 5°C.
- Гаряча їжа повинна бути охолоджена до кімнатної температури, перш ніж поміщатися в прилад.
- Їжу, що зберігається в холодильнику, необхідно попередньо вимити і висушити.
- Їжа, що зберігається, повинна бути належним чином закрита, щоб уникнути зміни запаху чи смаку.
- Не зберігайте надлишки їжі. Між харчовими продуктами слід залишати простір, щоб холодне повітря могло циркулювати для кращого та рівномірного охолодження.
- Продукти, які споживаються щодня, слід зберігати на передній частині полиці.
- Залиште щілину між їжею та внутрішніми стінками, щоб забезпечити доступ повітря. Ні в якому разі не зберігайте продукти біля задньої стінки: продукти можуть примерзнути до задньої стінки. Уникайте прямого контакту їжі (особливо жирної або кислої) з внутрішньою оболонкою, оскільки олія/кислота може пошкодити внутрішню оболонку. Видаліть жирні/кислі плями, як тільки вони з'являться.
- Заморожені продукти можна акуратно розморозити в холодильній камері. Це економить енергію.
- Фрукти та овочі, такі як цукіні, диня, папайя, банан, ананас тощо, швидше старіють у холодильнику. Тому зберігати їх у холодильнику не рекомендується. Однак на деякий час можна прискорити дозрівання зелених плодів. Цибуля, часник, імбир та інші коренеплоди також повинні зберігатися при кімнатній температурі.
- Неприємні запахи всередині холодильника є ознакою того, що щось розлилося і необхідно почистити. Див. Догляд і очищення.
- Різні види їжі слід розміщувати в різних місцях залежно від їх властивостей.

Зберігання в морозильній камері

- Підтримуйте температуру морозильника на рівні -18°C.
- За 24 години до заморожування увімкніть функцію суперзаморожування. Для невеликої кількості їжі достатньо 4-6 годин.
- Гарячу їжу необхідно охолодити до кімнатної температури перед тим, як помістити її в морозильну камеру.
- Продукти, нарізані невеликими порціями, замерзають швидше, їх легше розморозувати та готувати. Рекомендована вага кожної порції не більше 2,5 кг
- Рекомендується упакувати продукти перед тим, як помістити їх у морозильну камеру. Зовнішня сторона упаковки повинна бути сухою, щоб уникнути злипання пакетів. Пакувальні матеріали повинні бути без запаху, повітронепроникними, нетоксичними та нетоксичними.



- Щоб уникнути закінчення терміну придатності, на упаковці повинні бути вказані дата заморожування, термін придатності та назва продукту відповідно до термінів зберігання різних харчових продуктів.



УВАГА!

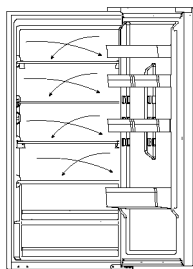
- ▶ Кислота, луг, сіль тощо можуть пошкодити внутрішню поверхню морозильника.
- ▶ Не кладіть продукти, що містять ці речовини (наприклад, морську рибу), безпосередньо на внутрішню поверхню. Солону воду в морозильній камері слід негайно очистити.
- ▶ Не перевищуйте терміни зберігання, рекомендовані виробниками. Вийміть із морозилки лише необхідну кількість продуктів.
- ▶ Їжте розморожені продукти швидко. Розморожену їжу не можна повторно заморожувати, якщо її попередньо не приготувати, інакше вона може бути менш їстівною.
- ▶ Не кладіть у морозильне відділення надмірну кількість свіжих продуктів. Інформацію про об'єм морозильної камери див. у ТЕХНІЧНИХ ДАНИХ або даних на паспортній табличці.
- ▶ Продукти можна зберігати в морозильній камері при температурі щонайменше -18 °C від 2 до 12 місяців, залежно від типу продуктів (наприклад, м'ясо: 3-12 місяців, овочі: 6-12 місяців)
- ▶ Під час заморожування свіжих продуктів уникайте контакту з уже замороженими продуктами. Ризик розморожування!

Зберігаючи комерційно заморожені продукти, дотримуйтеся таких вказівок:

- Завжди дотримуйтеся вказівок виробника щодо терміну зберігання харчових продуктів. Не перевищуйте час, зазначений у цих інструкціях!
- Намагайтеся, щоб час від покупки до поміщення в морозильну камеру був якомога коротшим, щоб зберегти якість їжі.
- Купуйте заморожені продукти, які зберігалися при -18°C або нижче.
- Уникайте придбання їжі, упаковка якої вкрита льодом або інеем. Це означає, що продукти могли бути частково розморожені та повторно заморожені в якийсь момент. Підвищення температури впливає на якість їжі.

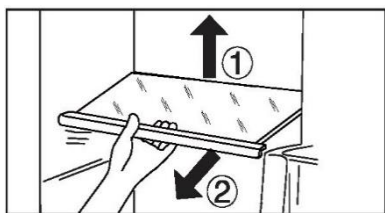
i Примітка

Через різні моделі ваш продукт може не мати всіх наведених нижче функцій. Дивіться розділ «Опис продукту».



Система циркуляції повітря

Холодильник оснащений системою циркуляції повітря, завдяки якій потоки прохолодного повітря розташовані на кожному рівні полиці. Це допомагає підтримувати рівномірну температуру, зберігаючи їжу свіжою довше.



Регульована полиця

1. Висоту полиць можна регулювати відповідно до потреб зберігання.
2. Щоб перемістити полицю, спочатку зніміть її, піднявши задній край ① і витягніть ②.
3. Щоб повторно встановити полицю, покладіть її на кронштейни з обох боків і посуньте в крайнє заднє положення, доки задня частина полиці не поміститься в отвори з боків.

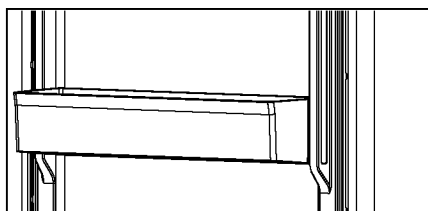
i Примітка

Переконайтеся, що всі кінці полиці рівні.

Знімна дверна полиця

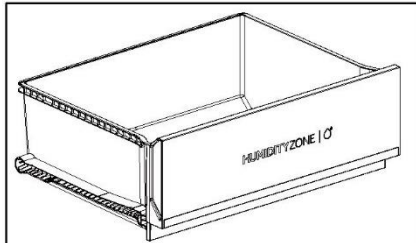
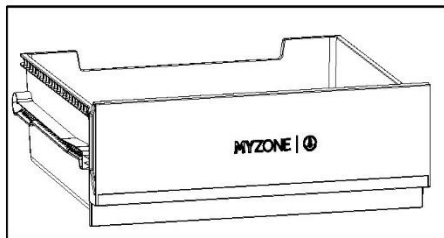
Полицю на дверцятах можна зняти для очищення:

Покладіть руки по обидві сторони полиці, підніміть її (1) і витягніть (2). Щоб знову встановити полиці на дверцятах, виконайте описані вище кроки у зворотному порядку.



Контейнер My Zone

Щоб отримати інформацію про використання та налаштування камери My Zone, зверніться до розділу ВИКОРИСТАННЯ (My Zone).



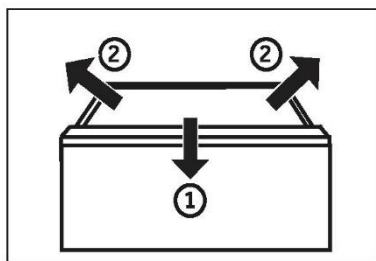
Ящик зони вологості

У цій камері рівень вологості контролюється системою автоматично і підходить для зберігання фруктів, овочів, салатів тощо.

Висувний ящик

Щоб вийняти шухляду з холодильної чи морозильної камери, витягніть її до упору (1), підніміть і вийміть (2).

Щоб повторно вставити шухляду, виконайте наведені вище дії у зворотному порядку.



Ящик морозильника

Ящик морозильної камери можна повністю та легко витягнути. Вони кріпляться на телескопічній рейці Easy roll. Так ви зможете зручно зберігати і знімати продукти для заморожування. Завдяки механізму автоматичного зачинення дверцят керувати легко та економно електроенергії.



УВАГА!

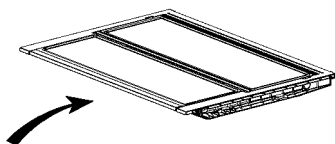
Не перевантажуйте ящики: максимальне навантаження на ящик: 35 кг!

Освітлення

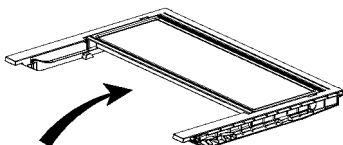
При відкритті дверей включається внутрішнє світлодіодне освітлення. На роботу підсвічування не впливають інші налаштування пристрою.

Відкидна полиця

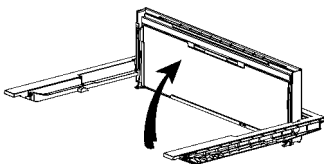
Складна полиця дозволить користувачеві розмістити на полицях високі пляшки або предмети. Полицю можна скласти ззаду, збільшуючи доступний простір на нижній полиці. Полицю можна скласти, виконавши кроки 1–3. Якщо ви хочете повернутися до початкового розташування, виконайте ці дії у зворотному порядку.



Крок 1: Повільно перемістіть передню частину полиці до кінця.



Крок 2: Повільно перемістіть полицю у вертикальне положення.



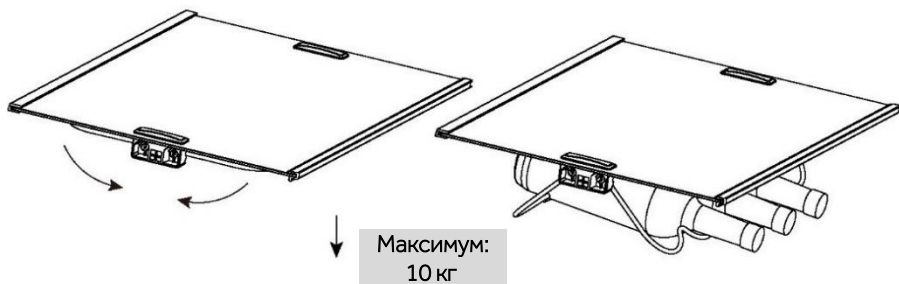
Крок 3: Полиця вертикальна. Це заощадить місце.

Складна винна полиця

Для звичайного використання

1. Опустіть опори полиці для вина
2. Поставте пляшки на підставку

Коли винна стійка не використовується, її можна скласти, щоб заощадити місце.





Поради щодо економії енергії

- ▶ Переконайтеся, що прилад добре провітрюється (див. ІНСТАНТУВАННЯ).
- ▶ Не встановлюйте пристрій у місцях, де на нього потраплятимуть прямі сонячні промені, або поблизу джерел тепла (наприклад, печей, радіаторів).
- ▶ Уникайте невиправдано низьких температур у пристрої. Споживання електроенергії зростає зі зниженням встановленої температури пристрою.
- ▶ Такі функції, як SUPER FREEZE, збільшують споживання енергії.
- ▶ Зачекайте, поки тепла їжа охолоне, перш ніж класти її в прилад.
- ▶ Відчиняйте двері якомога рідше та на короткий час.
- ▶ Не переповнюйте пристрій, щоб уникнути блокування потоку повітря.
- ▶ Уникайте повітря в упаковці харчових продуктів.
- ▶ Тримайте ущільнювачі дверцят чистими, щоб забезпечити їх належне закриття.
- ▶ Розморожуйте заморожені продукти в холодильній камері або використовуйте функцію D-Frost у ящику My Zone.
- ▶ Найбільш енергоефективна конфігурація вимагає, щоб шухляда, контейнер для продуктів і полиці були розміщені в приладі так, як вони були під час його доставки з заводу, і щоб продукти не блокували вихід повітря з каналу.



УВАГА!

Очищення

Пристрій слід чистити, якщо в ньому зберігається мало продуктів або взагалі їх немає.

Прилад слід чистити кожні чотири тижні, щоб забезпечити належне обслуговування та запобігти неприємним запахам від продуктів, що зберігаються.



УВАГА!

- ▶ Не очищайте пристрій жорсткими щітками, дротяними щітками, миючими порошками, бензином, амілацетатом, ацетоном або подібними органічними розчинами, кислотними або лужними розчинами. Під час чищення використовуйте спеціальний миючий засіб для холодильника, щоб уникнути пошкодження.
- ▶ Під час чищення не використовуйте спрей і не змивайте пристрій.
- ▶ Не використовуйте воду або пару для очищення пристрою.
- ▶ Не мийте холодні скляні полиці гарячою водою. Різкі зміни температури можуть призвести до тріщини скла.
- ▶ Не торкайтеся внутрішньої частини камери, особливо мокрими руками, оскільки вони можуть примерзнути до поверхні.
- ▶ Якщо температура підвищується, перевірте стан заморожених продуктів.



- ▶ Дверний ущільнювач завжди повинен бути чистим.
- ▶ Очистіть пристрій зсередини та зовні губкою, змоченою в теплій воді та нейтральному мийному засобі.
- ▶ 1. Очистіть холодильник зсередини та зовні, включно з ущільнювачем дверей, дверною полицею, скляними полицями, ящиками тощо, м'яким рушником або губкою, змоченою в теплій воді (до теплої води можна додати нейтральний миючий засіб).
- ▶ 2. У разі розлиття рідини видаліть усі забруднені компоненти, негайно промийте проточною водою, висушіть і знову поставте в холодильник.
- ▶ 3. У разі розлиття вершків (наприклад, вершків, танучого морозива) видаліть усі забруднені частини та помістіть їх на деякий час у теплу воду.
- ▶ при температурі прибіл. 40°C, потім промийте під проточною водою, висушіть і знову поставте в холодильник.
- ▶ 4. Якщо будь-яка дрібна деталь або предмет потрапить всередину холодильника (між полицями або ящиками), використовуйте маленьку м'яку щітку, щоб витягнути її. Якщо ви не можете знайти цей товар, зверніться до служби підтримки Haier.



- ▶ Промийте та висушіть м'якою тканиною.
- ▶ Не мийте будь-які частини приладу в посудомийній машині.
- ▶ Зачекайте принаймні 5 хвилин, перш ніж перезапустити прилад, оскільки часте перезапуск може пошкодити компресор.

Розморожування

Холодильник і морозильна камера розморожуються автоматично; ручна робота не потрібна.

Заміна світлодіодних ламп



УВАГА!

Не замінюйте світлодіодну лампу самостійно, це може зробити тільки виробник або авторизований сервісний центр.

В якості джерела світла лампи використовують світлодіоди, що відрізняються низьким енергоспоживанням і тривалим терміном служби. У разі виявлення будь-яких порушень зверніться до служби підтримки клієнтів. Дивіться ОБСЛУГОВУВАННЯ КЛІЄНТІВ.

Параметри лампи:

Тип	Світлодіодна лампа
Напруга	12 В
Максимальна потужність:	1,5 Вт
Специфікація LED	Білий-2835
Клас ефективності LED	G
Робоча температура	-40~80°C

Якщо холодильник довгий час не використовувався

Якщо прилад не використовувався тривалий час і функція відпустки холодильника не використовувався:

Видаліть їжу.

Вимкніть шнур живлення.

Очистіть пристрій, як описано вище.

Залиште дверцята відкритими, щоб запобігти утворенню неприємних запахів усередині.



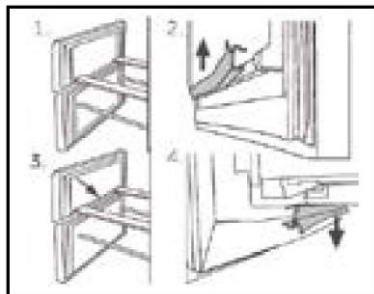
Примітка

Вимикайте пристрій лише в разі крайньої необхідності.

Знімні додаткові ущільнювачі дверей

Є шість додаткових дверних ущільнювачів на верхній і нижній ящиках морозильної камери.

1. Знайдіть п'ять зазначених ущільнювачів дверцят у верхньому та нижньому ящиках морозильної камери.
2. Під час прикріплення переконайтеся, що зігнуті зрізи ущільнення дивляться всередину.
3. Знайдіть нижнє ущільнення верхнього ящика, як показано.
4. Під час встановлення переконайтеся, що вигнута сторона цього ущільнення спрямована вниз. Ці ущільнювачі, а також ущільнювачі для поворотних дверей/шухляд будуть надані через наш відділ обслуговування клієнтів (див. гарантійний талон).



Переміщення пристрою

1. Вийміть усі харчові продукти та вимкніть прилад.
2. Закріпіть полиці та інші рухомі частини в морозильній камері скотчем.
3. Не нахильяйте холодильник під кутом більше 45°, щоб уникнути пошкодження системи охолодження.



УВАГА!

- ▶ Не піднімайте пристрій за дверні ручки.
- ▶ Ніколи не ставте пристрій горизонтально на землю.



Багато проблем можна вирішити самостійно, без спеціальних знань. У разі виникнення проблем перевірте всі показані можливості та дотримуйтеся інструкцій, наведених нижче, перш ніж звертатися до сервісного центру. Дивіться ОБСЛУГОВУВАННЯ КЛІЄНТІВ.



УВАГА!

- ▶ Перед виконанням технічного обслуговування вимкніть прилад і вийміть вилку з розетки.
- ▶ Електричний пристрій повинен обслуговуватися лише кваліфікованими фахівцями, оскільки неналежний ремонт може завдати значних збитків.
- ▶ Якщо шнур живлення пошкоджений, його має замінити виробник, його сервісний агент або інша кваліфікована особа, щоб уникнути небезпеки.

Таблиця усунення несправностей

Проблема	Можлива причина	Можливе вирішення
Компресор не працює	Вилка не вставлена в розетку.	Підключіть вилку в розетку.
	Прилад знаходиться в циклі розморожування.	Це нормально для автоматичного розморожування.
Пристрій працює часто або занадто довго.	Температура всередині та зовні пристрою занадто висока.	У цьому випадку це нормально і пристрій працюватиме довше.
	Прилад був відключений від джерела живлення на певний час.	Зазвичай для повного охолодження пристрою потрібно від 8 до 12 годин.
	Дверцята/ящик приладу закриті нещільно.	Закрийте дверцята та переконайтеся, що прилад стоїть на рівній поверхні, і ніякі продукти чи контейнери не блокують дверцята.
	Дверцята/ящики відкривалися занадто часто або залишалися відкритими занадто довго.	Не відкривайте двері/шухляди занадто часто.
	Налаштування температури морозильного відділення занадто низьке.	Встановіть вищу температуру, доки не досягнете задовільної температури в холодильнику. Для стабілізації температури в холодильнику потрібно 24 години.
	Ущільнювачі дверцят/шухляд брудні, зношені, тріснуті або зміщені.	Очистіть ущільнювачі дверцят/шухляд або замініть їх за допомогою служби обслуговування клієнтів.
	Необхідний потік повітря не гарантується.	Забезпечте належну вентиляцію.

Проблема	Можлива причина	Можливе вирішення
Всередині холодильника брудно та/або неприємно пахне.	Потрібно очистити холодильник	Очистіть холодильник всередині.
	Їжа з інтенсивним запахом зберігається в холодильнику.	Ретельно загорніть продукти.
Всередині приладу недостатньо холодно	Встановлена занадто висока температура	Понизити температуру
	Їжа зберігалася занадто теплою.	Завжди охолоджуйте їжу перед зберіганням.
	У холодильнику занадто багато продуктів	Завжди зберігайте невелику кількість їжі.
	Їжа занадто близько одна до одної.	Залиште проміжок між продуктами, щоб забезпечити циркуляцію повітря.
	Дверцята/ящик приладу закриті нещільно.	Закрийте двері/ящик.
	Дверцята/ящики відкривалися занадто часто або залишалися відкритими занадто довго.	Не відкривайте двері/шухляди занадто часто.
Всередині приладу занадто холодно.	Температура занадто низька.	Скиньте температуру.
	Суперзаморожування увімкнено або працює занадто довго.	Вимкніть функцію суперзаморожування.
Утворення вологи на внутрішніх стінках камери.	Клімат занадто теплий і вологий.	Підвищити температуру.
	Дверцята/ящик приладу закриті нещільно.	Закрийте двері/шухляди.
	Дверцята/ящики відкривалися занадто часто або залишалися відкритими занадто довго.	Не відкривайте двері/шухляди занадто часто.
	Контейнери для їжі або рідини відкриті.	Дайте гарячій їжі охолонути до кімнатної температури та накрийте їжу та рідини.
Волога накопичується на зовнішній стороні холодильника або між дверцятами та ящиком.	Клімат занадто теплий і вологий.	Це нормальне явище у вологому кліматі та зміниться, коли вологість зменшиться.
	Дверцята/ящик закриті не щільно.	Переконайтеся, що дверцята/ящик щільно закриті.
Надмірна кількість льоду та інею в морозильній камері.	Продукти харчування були неправильно упаковані	Завжди належним чином пакуйте їжу.
	Дверцята/ящики відкривалися занадто часто або залишалися відкритими занадто довго.	Не відкривайте двері/шухляди занадто часто.
	Ущільнювачі дверцят/шухляд брудні, зношені, тріснуті або зміщені.	Очистіть дверні ущільнювачі або замініть їх новими.
	Щось усередині заважає дверцятам/шухляді зачинитися належним чином.	Перемістіть полиці, дверні полиці або внутрішні контейнери, щоб двері/шухляди можна було закрити.



Проблема	Можлива причина	Можливе вирішення
Пристрій видає дивні звуки.	Прилад стоїть не на рівній поверхні.	Відрегулюйте ніжки, щоб вирівняти пристрій.
	Urządzenie dotyka jakiegoś przedmiotu.	Usuń obiekty znajdujące się w pobliżu urządzenia.
Ви можете почути тихий шум, схожий на течучу воду.	Це нормально	/
Ви почуєте сигнал тривоги.	Дверцята холодильної камери відкриті.	Закрийте двері або вимкніть будильник вручну.
Ви чуєте слабкий шум	Система захисту від конденсату працює.	Це запобігає утворенню конденсату і є нормальним.
Не працює внутрішнє освітлення або система охолодження.	Вилка не вставлена в розетку	Підключіть вилку в розетку.
	Блок живлення не в хорошому стані.	Перевірте електричне живлення в кімнаті. Зверніться до місцевого постачальника електроенергії!
	Не працює світлодіодна лампа.	Викличте сервісну службу для заміни лампи.
Нагріваються сторони корпусу та обшивка дверей.	Це нормально	/
Вода не тече з диспенсера	Блокування не дезактивовано.	Деактивувати блокування



Відключення електроенергії

- ▶ У разі відключення електроенергії їжа повинна зберігати безпечну температуру приблизно 13 годин. Під час тривалого відключення електроенергії, особливо влітку, дотримуйтеся таких порад:
- ▶ Не кладіть додаткові продукти в прилад під час відключення електроенергії.
- ▶ Якщо ви заздалегідь сповістили про відключення електроенергії та тривалість відключення перевищує 13 годин, приготуйте кілька кубиків льоду та помістіть їх у контейнер на верхній полиці холодильного відділення.
- ▶ Огляд товару необхідний відразу після розриву.
- ▶ Оскільки під час відключення електроенергії чи інших збоїв температура в холодильнику підвищиться, термін зберігання та їстівна якість продуктів будуть скорочені. Будь-яку їжу, яка розморожується, слід з'їсти або приготувати та повторно заморозити (за необхідності) незабаром після цього, щоб запобігти ризику для здоров'я.



Примітка

Функція запам'ятовування під час відключення електроенергії

Після відновлення живлення пристрій продовжує працювати з налаштуваннями, встановленими до збою живлення.

Щоб зв'язатися зі службою технічної підтримки, відвідайте наш веб-сайт:

<https://corporate.haier-eu-rope.com/en/>

У розділі «Веб-сайт» виберіть марку продукту та країну. Ви будете перенаправлені на певний веб-сайт, де ви знайдете номер телефону та інші способи зв'язатися зі службою технічної підтримки.

Розпакування



УВАГА!

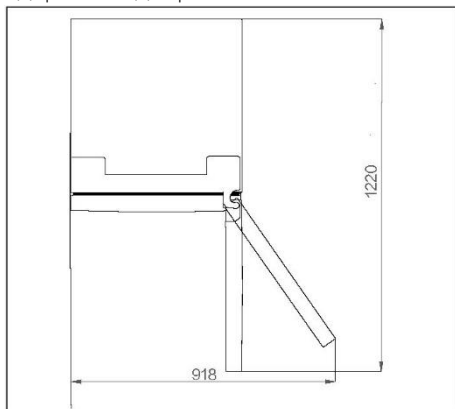
- ▶ Пристрій важкий. Роботу повинні виконувати не менше двох осіб.
- ▶ Тримайте всі пакувальні матеріали в недоступному для дітей місці та утилізуйте їх екологічно чистим способом.
- ▶ Вийміть пристрій з упаковки.
- ▶ Видаліть всю упаковку.

Екологічні умови

Кімнатна температура завжди має бути від 10°C до 43°C, оскільки це може вплинути на внутрішню температуру пристрою та споживання енергії. Не розташовуйте пристрій поблизу інших неізольованих пристроїв, які випромінюють тепло (печі, холодильники).

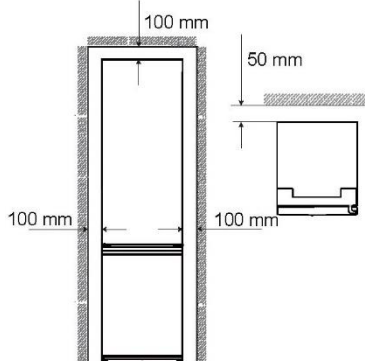
Рекомендації щодо простору

Рекомендоване приміщення з відкритими дверима.



Вентиляція

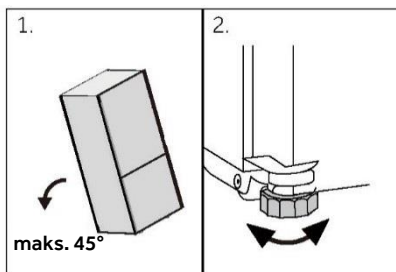
Щоб забезпечити достатню вентиляцію пристрою з міркувань безпеки, ми рекомендуємо дотримуватися рекомендованих правил розміщення.

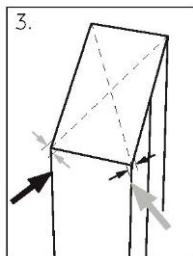


Налаштування пристрою

Пристрій слід розмістити на рівній і стійкій поверхні.

1. Трохи нахиліть холодильник назад.
2. Відрегулюйте ніжки на потрібний рівень. Переконайтеся, що з боку петлі є принаймні 100 мм вільного простору від стіни, щоб двері могли правильно відкриватися.

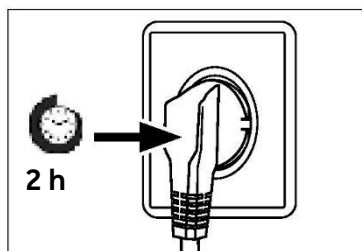




1. Стьйкість можна перевірити, натискаючи пристрій по черзі по діагоналі. Легке погойдування повинно бути однаковим в обидві сторони. Інакше рама може деформуватися; В результаті двері можуть не протікати. Легкий нахил назад допомагає при закриванні дверей.

i Примітка

Для окремо стоячих приладів: цей холодильний прилад не призначений для вбудованої установки.



Час очікування

Бак компресора містить необслуговуване масло. Це масло може надходити через закриті системи трубопроводів під час перекинутого транспортування. Перед підключенням приладу до електромережі зачекайте не менше 2 годин, щоб масло знову стекло в резервуар.

Підключення до електрики

Перед кожним підключенням перевіряйте, що:

- ▶ джерело живлення, розетка та запобіжники відповідають параметрам, зазначеним на заводській табличці.
- ▶ розетка заземлена і не використовується багаторозетковий або подовжувач.
- ▶ вилка і розетка суворо збігаються.
- ▶ вставте вилку в належним чином встановлену побутову розетку.



УВАГА!

Щоб уникнути ризику, пошкоджений шнур живлення необхідно замінити в сервісному центрі (див. гарантійний талон).



Зміна напрямку відкриття дверей

Перед підключенням приладу до електромережі перевірте, чи потрібно змінювати напрямок відкривання дверцят з правого (положення при отриманні) на ліворуч, якщо це необхідно через місце встановлення та використання.

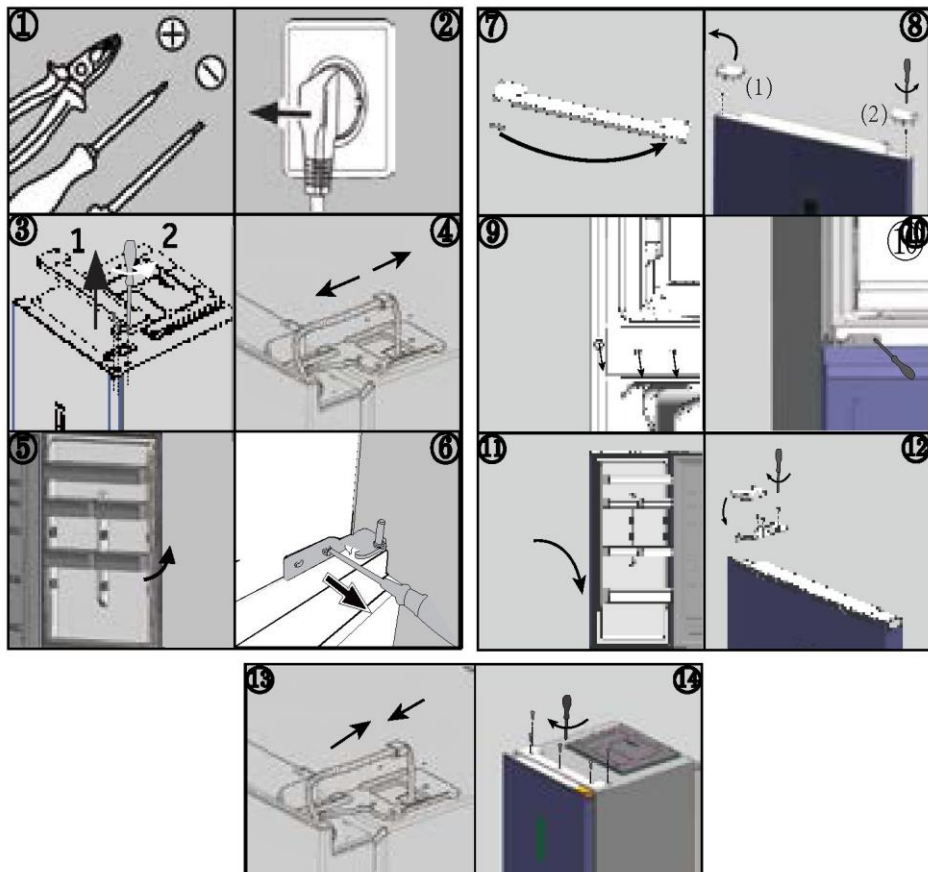


УВАГА!

- ▶ Пристрій важкий. Для зміни напрямку відкривання дверей потрібні дві людини.
- ▶ Перед початком будь-яких операцій відключіть пристрій від мережі.
- ▶ Не нахилийте холодильник більш ніж на 45°, щоб не пошкодити систему охолодження.

Етапи встановлення

1. Використовуйте правильні інструменти.
2. Вимкніть пристрій.
3. Зніміть кришку верхньої петлі 1 і відкрутіть верхню петлю (три гвинти) з правого боку 2.
4. Від'єднайте з'єднувальний кабель
5. Обережно зніміть ослаблені дверцята холодильника із середньої петлі.
6. Зніміть середню петлю.
7. Зніміть невелику кришку передньої панелі зліва направо.
8. Переверніть дверцята догори дном і відкрутіть кришку (1). Зніміть нову кришку (2)
9. з потрібного мішка і прикрутіть його з протилежного боку.
10. Змініть положення ковпачків і гвинтів збоку.
11. Прикрутіть середню петлю до лівої сторони пристрою. Зверніть увагу на зворотну орієнтацію центрального шарнірного штифта таким чином, щоб сторона ущільнення була спрямована вгору.
12. Обережно підніміть верхні дверцята на середній петлі. Переконайтеся, що шпилька входить у нижню втулку дверної петлі.
13. Зніміть нову верхню петлю та кришку петлі з сумки для аксесуарів. Вставте з'єднувальний кабель через верхню петлю та закріпіть верхню петлю трьома гвинтами з лівого боку пристрою. І одягніть кришку петлі на петлю.
14. Підключіть з'єднувальний кабель.
15. Встановіть передню панель на місце та закріпіть її п'ятьма гвинтами.
16. Після заміни дверцят переконайтеся, що ущільнювачі дверцят належним чином розташовані на корпусі та чи всі гвинти належним чином затягнуті.



Температури навколишнього середовища

Розширений діапазон температур: цей холодильний агрегат призначений для використання при температурі навколишнього середовища від 10°C до 32°C

Помірна зона: цей холодильний прилад призначений для використання при температурі навколишнього середовища від 16°C до 32°C;

Субтропічна зона: цей холодильний прилад призначений для використання при температурі навколишнього середовища від 16°C до 38°C;

Тропічна зона: цей холодильний прилад призначений для використання при температурі навколишнього середовища від 16°C до 43°C.



Параметри продукту відповідно до Регламенту ЄС № 2019/2016

На основі стандартних результатів тестування за 24 години. Фактичне споживання енергії буде відрізнятися залежно від способу використання пристрою та його розташування.

Модель	HTW5618DN*	HTW5620DN*	HTW5618EN*
Тип холодильного пристрою	Холодильник з морозильною камерою	Холодильник з морозильною камерою	Холодильник з морозильною камерою
Клас енергоефективності	D	D	E
Річне споживання енергії кВт*г/рік)	217	226	271
Об'єм холодильного відділення (л)	201	255	201
Об'єм морозильного відділення (л)	125	125	125
Об'єм холодильної камери (л)	34	34	34
Клас заморожування	4 зірки	4 зірки	4 зірки
Тип розморожування	Автоматичне	Автоматичне	Автоматичне
Час підвищення температури (год)	13	13	11
Потужність заморожування (кг/24 год)	10,0	10,0	10,0
Кліматичний клас	SN.N.ST.T	SN.N.ST.T	SN.N.ST.T
Клас та рівень шуму, дБ	B(35)	B(35)	B(35)



Модель	HTW561CN*	HTW5620CN*	HTW5620EN*
Тип холодильного пристрою	Холодильник з морозильною камерою	Холодильник з морозильною камерою	Холодильник з морозильною камерою
Клас енергоефективності	C	C	E
Річне споживання енергії кВт*г/рік)	173	181	283
Об'єм холодильного відділення (л)	201	255	255
Об'єм морозильного відділення (л)	125	125	125
Об'єм холодильної камери (л)	34	34	34
Клас заморожування	4 зірки	4 зірки	4 зірки
Тип розморожування	Автоматичне	Автоматичне	Автоматичне
Час підвищення температури (год)	13	13	11
Потужність заморожування (кг/24 год)	10,0	10,0	10,0
Кліматичний клас	SN.N.ST.T	SN.N.ST.T	SN.N.ST.T
Клас та рівень шуму, дБ	B(35)	B(35)	B(35)



Модель	HDPW5618DN*	HDPW5620DN*	HDPW3620DN*
Тип холодильного пристрою	Холодильник з морозильною камерою	Холодильник з морозильною камерою	Холодильник з морозильною камерою
Клас енергоефективності	D	D	D
Річне споживання енергії кВт*г/рік)	214	220	220
Об'єм холодильного відділення (л)	201	255	255
Об'єм морозильного відділення (л)	117	117	117
Об'єм холодильної камери (л)	34	34	34
Клас заморожування	4 зірки	4 зірки	4 зірки
Тип розморожування	Автоматичне	Автоматичне	Автоматичне
Час підвищення температури (год)	13	13	13
Потужність заморожування (кг/24 год)	10,0	10,0	10,0
Кліматичний клас	SN.N.ST.T	SN.N.ST.T	SN.N.ST.T
Клас та рівень шуму, дБ	B(35)	B(35)	B(35)



Модель	HDPW3618DN*	HDPW3620CN*	HTW3620DN*
Тип холодильного пристрою	Холодильник з морозильною камерою	Холодильник з морозильною камерою	Холодильник з морозильною камерою
Клас енергоефективності	D	C	D
Річне споживання енергії кВт*г/рік)	214	176	226
Об'єм холодильного відділення (л)	201	255	255
Об'єм морозильного відділення (л)	117	117	125
Об'єм холодильної камери (л)	34	34	34
Клас заморожування	4 зірки	4 зірки	4 зірки
Тип розморожування	Автоматичне	Автоматичне	Автоматичне
Час підвищення температури (год)	13	13	13
Потужність заморожування (кг/24 год)	10,0	10,0	10,0
Кліматичний клас	SN.N.ST.T	SN.N.ST.T	SN.N.ST.T
Клас та рівень шуму, дБ	B(35)	B(35)	B(35)

Модель	HDPW5618CN*	HDPW5620CN*	HDPW5620AN*
Тип холодильного пристрою	Холодильник з морозильною камерою	Холодильник з морозильною камерою	Холодильник з морозильною камерою
Клас енергоефективності	C	C	A
Річне споживання енергії	171	176	114
Об'єм холодильного відділення (л)	201	255	255
Об'єм морозильного відділення (л)	117	117	120
Об'єм холодильної камери (л)	34	34	34
Клас заморожування	4 зірки	4 зірки	4 зірки
Тип розморожування	Автоматичне	Автоматичне	Автоматичне
Час підвищення температури (год)	13	13	16
Потужність заморожування (кг/24 год)	10,0	10,0	10,0
Кліматичний клас	SN.N.ST.T	SN.N.ST.T	SN.N.ST.T
Клас та рівень шуму, дБ	B(35)	B(35)	B(35)



Додаткові технічні дані

Модель	HTW5618DN*	HTW5618EN*	HTW5620DN*
Загальна місткість (л)	360	360	414
Напруга / частота	220-240 В ~ / 50 Гц	220-240 В ~ / 50 Гц	220-240 В ~ / 50 Гц
Вхідний струм (А)	1,4	1,4	1,4
Головний запобіжник (А)	16	16	16
Охолоджуюча рідина	R600a(53r)	R600a(53r)	R600a(53r)
Розміри (Ш/Г/В у мм)	595*667*1850	595*667*1850	595*667*2050

Модель	HTW5618CN*	HTW5620CN*	HTW5620EN*
Загальна місткість (л)	360	414	414
Напруга / частота	220-240 В ~ / 50 Гц	220-240 В ~ / 50 Гц	220-240 В ~ / 50 Гц
Вхідний струм (А)	1,4	1,4	1,4
Головний запобіжник (А)	15	15	16
Охолоджуюча рідина	R600a(53r)	R600a(53r)	R600a(53r)
Розміри (Ш/Г/В у мм)	595*667*1850	595*667*2050	595*667*2050

Модель	HDPW5618DN*	HDPW5620DN*	HDPW3620DN*
Загальна місткість (л)	352	406	406
Напруга / частота	220-240 В ~ / 50 Гц	220-240 В ~ / 50 Гц	220-240 В ~ / 50 Гц
Вхідний струм (А)	1.4	1.4	1.4
Головний запобіжник (А)	16	16	16
Охолоджуюча рідина	R600a(53r)	R600a(53r)	R600a(53r)
Розміри (Ш/Г/В у мм)	595*667*1850	595*667*2050	595*667*2050

Модель	HDPW5618CN*	HDPW5620CN*	HDPW5620AN*
Загальна місткість (л)	352	406	409
Напруга / частота	220-240 В ~ / 50 Гц	220-240 В ~ / 50 Гц	220-240 В ~ / 50 Гц
Вхідний струм (А)	1.4	1.4	1.4
Головний запобіжник (А)	15	15	15
Охолоджуюча рідина	R600a (50r)	R600a (50r)	R600a (50r)
Розміри (Ш/Г/В у мм)	595*667*1850	595*667*2050	595*667*2050



Модель	HDPW5618CN*	HDPW5620CN*	HDPW5620AN*
Загальна місткість (л)	352	406	409
Напруга / частота	220-240 В ~ / 50 Гц	220-240 В ~ / 50 Гц	220-240 В ~ / 50 Гц
Вхідний струм (А)	1.4	1.4	1.4
Головний запобіжник (А)	15	15	16
Охолоджуюча рідина	R600a (50r)	R600a (50r)	R600a (50r)
Розміри (Ш/Г/В у мм)	595*667*1850	595*667*2050	595*667*2050



Ми рекомендуємо нашу систему обслуговування клієнтів Haier і використання оригінальних запасних частин.

Якщо у вас виникли проблеми з пристроєм, спершу перегляньте розділ **УСУНЕННЯ НЕСПРАВНОСТЕЙ**.

Якщо ви не можете знайти рішення, зв'яжіться з нами

- ▶ з вашим місцевим дилером або
- ▶ наш Європейський центр обслуговування клієнтів (див. номери телефонів, указані нижче) або
- ▶ розділ обслуговування та підтримки на сайті www.haier-europe.com
- ▶ обслуговування та пошук відповідей на поширені запитання.

Перш ніж звертатися до нашого відділу обслуговування клієнтів, будь ласка, переконайтеся, що у вас є наведені нижче дані.

Інформацію можна знайти на паспортній табличці.

Модель _____

Серійний номер _____

Також перевірте гарантійний талон, який додається до продукту.

Центр обслуговування клієнтів		
Країна	Номер телефону	Витрати
Haier Україна	0800 501 509	безкоштовно



- * * Для отримання номерів інших країн відвідайте веб-сайт www.haier.com
- * Haier Europe Trading S.r.l
- * Відділення UK
- * Вестгейт Хаус, Вестгейт, Ілінг
- * Лондон, W5 1YU
- * * Гарантійний термін на холодильний прилад:
- * Мінімальна гарантія: 3 роки для України, 2 роки для країн ЄС, 3 роки для Туреччини, 1 рік для Великобританії, 3 роки для Швеції, 2 роки для Сербії, 5 років для Норвегії, 1 рік для Марокко, 6 місяців для Алжиру, юридична гарантія не потрібна в Тунісі.
- * * Термін для запчастин для ремонту пристрою:
- * Термостати, датчики температури, друковані плати та джерела світла доступні щонайменше протягом семи років після випуску останньої моделі.
- * Ручки, дверні петлі, лотки та кошики протягом щонайменше семи років, а дверні ущільнювачі протягом щонайменше 10 років з моменту запуску останньої моделі.

Для отримання додаткової інформації про продукт відвідайте <https://eprel.ec.europa.eu/> або відскануйте QR-код на ярлику енергоефективності, який додається до приладу.



Haier

2023 Версія А



0060534356



Haier

2023 Verzia A



0060534356

Haier

User Manual

Refrigerator-Freezer

HTW5618DN*	HDPW5618CN*
HTW5618DW*	HDPW5618DW*
HTW5620DN*	HDPW5620BN*
HTW5618EN*	HDPW5620CN*
HTW5620EN*	HDPW5620AN*
HTW5618CN*	HDPW5620DN*
HTW5620CN*	HDPW5618DN*
HTW3620DN*	HDPW3620CN*
	HDPW3620DN*
	HDPW3618DN*

*= colour code: PT, MG, MP, PD, PK, PW

EN

CZ

DE

EL

ES

FR

HU

IT

NL

PL

PT

RO

FI

NO

BG

SL

HR

SK

DA

SV

SR

SR

**WARNING: Risk of fire/flammable material**

EN

The symbol indicates there is a risk of fire since flammable materials are used. Take care to avoid causing a fire by igniting flammable material.

VAROVÁNÍ: Nebezpečí Požáru/Hořlavého Materiálu

CZ

Symbol označuje riziko požáru, protože byly použity hořlavé materiály. Dbejte na to, aby nedošlo ke vzniku požáru zapálením hořlavého materiálu.

WARNUNG: Brandgefahr/brennbares Material

DE

Das Symbol weist auf Brandgefahr hin, da brennbare Materialien verwendet werden. Verhindern Sie die Entstehung von Bränden, die durch entflammbare Materialien verursacht werden.

ΠΡΟΣΟΧΗ: Κίνδυνος φωτιάς/εύφλεκτο υλικό

EL

Το σύμβολο υποδεικνύει ότι υπάρχει κίνδυνος φωτιάς επειδή χρησιμοποιούνται εύφλεκτα υλικά. Προσέχετε να αποφεύγετε την πρόκληση φωτιάς από ανάφλεξη εύφλεκτου υλικού.

ADVERTENCIA: Riesgo de incendio o material inflamable

ES

El símbolo indica que existe riesgo de incendio, dado que se utilizan materiales inflamables. Se debe procurar evitar incendios mediante la combustión de materiales inflamables.

ATTENTION: Risque d'incendie ou de matières inflammables

FR

Le symbole montre qu'il y a le risque de matériaux inflammables sont utilisés. Prendre soin d'éviter de provoquer un incendie en ingérant des matières inflammables.

FIGYELEM: Tűz / gyúlékony anyag veszélye

HU

A szimbólum azt jelzi, hogy tűzveszély áll fenn, mivel gyúlékony anyagokat használnak. Ügyeljen arra, hogy ne tegyen rá tűzveszélyes gyúlékony anyagot.

ATTENZIONE: Rischio di incendio/materiale infiammabile

IT

Il simbolo indica il rischio di incendio nel caso di utilizzo di materiali infiammabili. Fare attenzione ed evitare l'insorgere di incendi a causa della combustione di materiali infiammabili.

WAARSCHUWING: Brandrisico / brandbaar materiaal

NL

Het systeem geeft aan dat er een brandrisico bestaat aangezien brandbaar materiaal wordt gebruikt. Zorg ervoor dat er geen brand wordt veroorzaakt door brandbaar materiaal te ontsteken.

OSTRZEŽENIE: Ryzyko pożaru/materiał łatwopalny

PL

Symbol wskazuje, że istnieje ryzyko pożaru, ponieważ używane są materiały łatwopalne. Dbaj o to, aby uniknąć pożaru poprzez zapale nie łatwopalnego materiału.

AVISO: Risco de incêndio e material inflamável

PT

O símbolo indica que existe um risco de incêndio, uma vez que são utilizados materiais inflamáveis. Tenha cuidado para evitar provocar um incêndio acendendo material inflamável.

AVERTISMENT: Risc de incendiu/material inflamabil

RO

Simbolul indică că există risc de incendiu deoarece sunt folosite materiale inflamabile. Aveți grijă să evitați incendiile aprinzând materiale inflamabile.

VAROITUS: Tulipalon vaara / syttyvä materiaalia

FI

Symboli osoittaa tulipalon vaaraa, joka johtuu käytetyistä sytytystä materiaaleista. Varo, ettet aiheuta tulipaloo sytyttämällä syttyvä materiaalia.

ADVASEL: Fare for brann / brennbar materiale

NO

Symbolet angir at det er fare for brann siden brannfarlige materialer er brukt. Vær forsiktig så du unngår å forårsake brann ved å isolere brannfarlige materialer.

ПРЕДУПРЕЖДЕНИЕ: Опасност от пожар/запалим материал

BG

Символът показва, че съществува опасност от пожар, тъй като се използват запалими материали. Внимавайте да не предизвикате пожар чрез подпалване на запалим материал.

UPOZORENJE: opasnost od požara / zapaljivog materijala

HR

Simbol označava opasnost od požara jer se upotrebljavaju zapaljivi materijali. Pazite da ne prouzročite požar paljenjem zapaljivog materijala.

VAROVANIE: Riziko požiaru/horľavý materiál

SK

Symbol označuje nebezpečenstvo požiaru, pretože sa používajú horľavé materiály. Dávajte pozor, aby ste zabránili vzniku požiaru vznietením horľavého materiálu.

ADVASEL: Brandfare/brændbart materiale

DA

Symbolet viser, at der er brandfare, da der er anvendt brændbart materiale. Vær omhyggelig med at undgå at starte en brand som følge af antændelse af brændbart materiale.

WARNING: Risk för brand/brandfarliga material

SV

Symbolen indikerar att det finns en brandrisk eftersom brandfarliga material används. Var försiktig så att brandfarliga material inte fattar eld.

UPOZORENJE: Rizik od vatre / zapaljivog materijala

SR

Simbol označava da postoji opasnost od požara jer se koriste zapaljivi materijali. Pazite da ne izazovete požar paljenjem zapaljivog materijala.

<u>1045 Bezbednosne informacije</u>	<u>Pre prve upotrebe</u>	1046
	<u>Ugradnja</u>	1046
	<u>Svakodnevna upotreba</u>	1047
<u>1050 Namena</u>		
<u>1051 Opis proizvoda</u>		
<u>1059 Kontrolni panel</u>		
<u>1060 Upotreba</u>	<u>Podšavanje temperature frižidera</u>	1061
	<u>Podšavanje temperature zamrivača</u>	1061
	<u>Podšavanje temperature za My Zone</u>	1061
	<u>Funkcija Super Cool</u>	1062
	<u>Funkcija Super Freeze</u>	1063
<u>1068 Oprema</u>		
<u>1072 Saveti za uštedu energije</u>		
<u>1073 Održavanje i čišćenje</u>		
<u>1076 Rešavanje problema</u>		
<u>1080 Ugradnja</u>		
<u>1084 Tehnički podaci</u>		
<u>1092 Korisnička služba</u>		



Kliknite na sadržaj da biste pogledali detaljne informacije.

Hvala vam što ste kupili proizvod kompanije Haier.

Pažljivo pročitajte ova uputstva pre upotrebe ovog uređaja. Uputstva sadrže važne informacije koje će vam pomoći da iskoristite sve mogućnosti uređaja i obezbedite bezbednu i pravilnu montažu, upotrebu i održavanje.

Držite ovaj priručnik na pogodnom mestu, tako da uvek možete da ga pročitate radi bezbedne i pravilne upotrebe uređaja.

Ako prodajete uređaj, poklanjate ga ili ostavljate nakon preseljenja, obavezno priložite ovaj priručnik tako da novi vlasnik može da se upozna sa uređajem i sigurnosnim upozorenjima.

Dodatna oprema

Proverite dodatnu opremu i literaturu u skladu sa ovom listom:

			
Tacna za jaja	Energetska nalepnica	Garantni list	Priručnik za korisnika
			
Tacna za led	Šarke vrata	Poklopac šarke	Umetak poklopca

**UPOZORENJE – Važne bezbednosne informacije****OBAVEŠTENJE – Opšte informacije i saveti****Informacije o životnoj sredini****Odlaganje u otpad**

Pomozite u zaštiti životne sredine i očuvanju ljudskog zdravlja. Odložite ambalažu u odgovarajući kontejner radi recikliranja. Pomozite u reciklaži otpada od električnih i elektronskih uređaja. Ne odlažite u otpad uređaje označene ovim simbolom zajedno sa otpadom iz domaćinstva. Vratite proizvod u lokalni objekat za reciklažu ili se obratite opštinskoj kancelariji.

**UPOZORENJE!**

Rizik od povrede ili gušenja!

Stručnjaci moraju da odlože u otpad rashladna sredstva i gasove. Uverite se da cev rashladnog kola nije oštećena pre pravilnog odlaganja u otpad. Isključite uređaj iz mrežnog napajanja. Isecite mrežni kabl i odložite ga u otpad. Uklonite tacne i fioke, kao i rezu vrata i zaptivke, kako biste sprečili zaglavljivanje dece i kućnih ljubimaca u uređaju.



Pre prvog uključivanja uređaja, pročitajte sledeće savete o bezbednosti:



UPOZORENJE!

Pre prve upotrebe

- ▶ Uverite se da se nisu pojavila oštećenja pri transportu.
- ▶ Uklonite svu ambalažu i držite je van domašaja dece.
- ▶ Sačekajte najmanje dva sata pre montaže uređaja kako bi se osiguralo da je rashladno kolo potpuno funkcionalno.
- ▶ Rukujte uređajem uvek sa još najmanje dve osobe jer je težak.

Ugradnja

- ▶ Postavite uređaj na dobro provetreno mesto. Obezbedite prostor od najmanje 10 cm iznad i oko uređaja.
- ▶ Nikada ne montirajte uređaj u vlažnom prostoru ili na mestu gde se može isprskati vodom. Prebrišite vodu i mrlje od vode mekom i čistom krpom.
- ▶ Ne montirajte uređaj na direktnoj sunčevoj svetlosti ili u blizini izvora toplote (npr. rerna, grejalica).
- ▶ Montirajte i nivelišite uređaj u prostoru pogodnom za njegovu veličinu i upotrebu.
- ▶ Ne blokirajte ventilacione otvore na uređaju ili u ugrađenoj strukturi.
- ▶ Uverite se da su električne informacije na natpisnoj pločici usklađene sa napajanjem. Ako to nije slučaj, obratite se električaru.
- ▶ Uređaj radi pod napajanjem od 220–240 VAC / 50 Hz. Neuobičajena fluktuacija napona može prouzrokovati da se uređaj ne uključi ili oštećenje regulacije temperature, a pored toga može doći do neuobičajene buke prilikom rada. U tom slučaju, treba da se montira automatski regulator.
- ▶ Nemojte da koristite adaptere sa više utičnica niti produžne kablove.
- ▶ Nemojte da smeštate više prenosivih utičnica ili prenosivih izvora napajanja na zadnji deo uređaja.
- ▶ Uverite se da mrežni kabl nije zaglavljen u frižideru. Nemojte da gazite mrežni kabl.



UPOZORENJE!

- ▶ Koristite zasebnu uzemljenu utičnicu za mrežno napajanje koja je lako dostupna. Uređaj mora biti uzemljen.
Samo za Ujedinjeno Kraljevstvo: Mrežni kabl uređaja opremljen je utikačem sa 3 priključnice (sa uzemljenjem) koji se podudara sa standardnom utičnicom sa 3 priključnice (sa uzemljenjem). Nemojte nikada da sečete ili skidate treću iglicu (uzemljenje). Nakon montaže uređaja, utikač treba da bude pristupačan.
- ▶ Nemojte da oštetite rashladno kolo.

Svakodnevna upotreba

- ▶ Ovaj uređaj smeju da koriste deca uzrasta od 8 godina i osobe sa smanjenim fizičkim, čulnim ili mentalnim sposobnostima ili nedostatkom iskustva i znanja ako su pod nadzorom ili ako imaju na raspolaganju uputstva u vezi sa upotrebom uređaja na bezbedan način i ako razumeju opasnosti koje su uključene.
- ▶ Deca uzrasta od 3 do 8 godina smeju da stavljaju hranu i vade je ih rashladnih uređaja, ali im nije dozvoljeno da ih čiste ili montiraju.
- ▶ Deca mlađa od 3 godina moraju se držati podalje od uređaja, osim ako su pod stalnim nadzorom.
- ▶ Deca ne smeju da se igraju uređajem.
- ▶ Ako u blizini uređaja curi hladni gas ili drugi zapaljivi gas, isključite ventil isecurelog gasa, otvorite vrata i prozore i nemojte da isključujete iz utičnice utikač mrežnog kabla frižidera ili bilo kog drugog uređaja.
- ▶ Imajte na umu da je uređaj pripremljen za rad u određenom opsegu temperature okruženja između 10 i 43 °C. Uređaj možda neće raditi ispravno ako se ostavi tokom dužeg perioda na temperaturi iznad ili ispod navedenog opsega.
- ▶ Ne stavljajte nestabilne predmete (teške predmete, posude napunjene vodom) na vrh frižidera kako biste izbegli telesne povrede izazvane padom ili strujnim udarom koji je izazvan kontaktom sa vodom.
- ▶ Nemojte da vučete police u vratima. Moguće je naginjanje vrata, police za flaše, izvlačenje vrata ili rušenje uređaja.
- ▶ Otvarajte i zatvarajte vrata samo pomoću ručki. Razmak između vrata i između vrata i unutrašnjosti zamrzivača je veoma uzak. Nemojte da pružate ruke u ove oblasti kako biste izbegli priklještenje prstiju. Otvarajte ili zatvarajte vrata frižidera samo kada nema dece u domašaju kretanja vrata.



UPOZORENJE!

- ▶ Nemojte da čuvate ili koristite zapaljive, eksplozivne ili korozivne materijale u uređaju ili u njegovoj blizini.
 - ▶ Nemojte da čuvate lekove, bakterije ili hemijska sredstva u uređaju. Ovaj uređaj je kućni aparat. Ne preporučuje se skladištenje materijala koji iziskuju strogo određene temperature.
 - ▶ Nemojte da čuvate u zamrzivaču tečnosti u flašama ili limenkama (osim jakih alkoholnih pića), naročito gazirana pića, jer će one pući tokom zamrzavanja.
 - ▶ Proverite stanje hrane ako je došlo do zagrevanja zamrzivača.
 - ▶ Nemojte da podešavate nepotrebno nisku temperaturu u frižideru. Temperature ispod nule se mogu javiti na visokim postavkama. Pažnja: Flaše mogu da puknu.
 - ▶ Nemojte da dodirujete smrznute predmete mokrim rukama (nosite rukavice). Posebno nemojte da jedete zaleđene lizalice neposredno nakon vađenja iz zamrzivača. Postoji rizik od smrzavanja ili stvaranja promrzlina. Prva pomoć: odmah stavite pod tekuću hladnu vodu. Ne povlačite!
 - ▶ Nemojte da dodirujete unutrašnju površinu zamrzivača dok radi, naročito ne vlažnim šakama, jer šake mogu da vam se zamrznu na površini.
 - ▶ Isključite uređaj u slučaju nestanka struje ili pre čišćenja. Sačekajte najmanje 7 minuta pre ponovnog uključivanja uređaja, jer često uključivanje može oštetiti kompresor.
 - ▶ Nemojte da koristite električne uređaje unutar odeljaka za čuvanje hrane u uređaju, osim ako nisu onog tipa koji preporučuje proizvođač.
- Održavanje/čišćenje
- ▶ Deca moraju da budu pod nadzorom ako obavljaju čišćenje i održavanje.
 - ▶ Isključite uređaj iz mrežnog napajanja pre nego što preduzmete bilo kakvo rutinsko održavanje. Sačekajte najmanje 5 minuta pre ponovnog uključivanja uređaja, jer često uključivanje može oštetiti kompresor.



UPOZORENJE!

- ▶ Držite utikač, a ne kabl, prilikom isključivanja uređaja iz napajanja.
- ▶ Nemojte da čistite uređaj tvrdim četkama, žičanim četkama, deterdžentom u prahu, benzinom, amil acetatom, acetonom i sličnim organskim, kiselim ili alkalnim rastvorima. Čistite uređaj specijalnim deterdžentom za frižidere kako biste izbegli oštećenje.
- ▶ Nemojte da stružete mraz ili led ostrim predmetima. Nemojte da koristite sprejeve, električne grejače poput grejalica, fenova za kosu, parnih čistača ili drugih izvora toplote, kako bi se izbeglo oštećenje plastičnih delova.
- ▶ Nemojte da koristite mehaničke uređaje ili druga sredstva za ubrzavanje procesa odmrzavanja, osim onih koje preporučuje proizvođač.
- ▶ Ako je mrežni kabl oštećen, mora da ga zameni proizvođač, radnik servisne službe ili slično kvalifikovana lica kako bi se izbegla opasnost.
- ▶ Nemojte da pokušavate sami da popravite, rastavljate ili izmenite uređaj. U slučaju popravke, obratite se našoj službi za korisnike.
- ▶ Uklonite prašinu na poleđini jedinice najmanje jednom godišnje kako bi se izbegla opasnost od požara, kao i povećana potrošnja energije.
- ▶ Nemojte da prskate tečnost na uređaj niti da ga ispirate tokom čišćenja.
- ▶ Nemojte da koristite raspršenu vodu ili paru za čišćenje uređaja.
- ▶ Nemojte da čistite hladne staklene police vrućom vodom. Iznenadna promena temperature može da prouzrokuje lom stakla.

Informacije o rashladnom gasu



UPOZORENJE!

Uređaj sadrži zapaljivo rashladno sredstvo IZOBUTAN (R600a). Uverite se da rashladno kolo nije oštećeno tokom transporta ili montaže. Curenje rashladnog sredstva može izazvati povrede oka ili se može zapaliti. Ako je došlo do oštećenja, držite dalje od otvorenih izvora vatre, dobro provetrite prostoriju, ne priključujte niti isključujte kablove za napajanje ovog uređaja ili bilo kog drugog uređaja. Obavestite korisničku službu.

U slučaju da rashladno sredstvo dođe u kontakt sa očima, odmah ih isperite tekućom vodom i odmah pozovite očnog lekara.



Namena

Ovaj uređaj je namenjen za hlađenje i zamrzavanje hrane. Dizajniran je isključivo za upotrebu u domaćinstvu i za slične primene, kao što su kuhinjske prostorije za osoblje u okviru prodavnica, kancelarija ili drugih radnih prostorija, seoske kuće i za klijente u hotelima, motelima i drugim okruženjima stambenog tipa, kao i za smeštajne objekte tipa noćenja sa doručkom, kao i u katering. Nije namenjen za komercijalnu ili industrijsku upotrebu.

Promene ili izmene uređaja nisu dozvoljene. Upotreba u suprotnosti sa namenom može izazvati opasnosti i poništiti garanciju.

Standardi i direktive

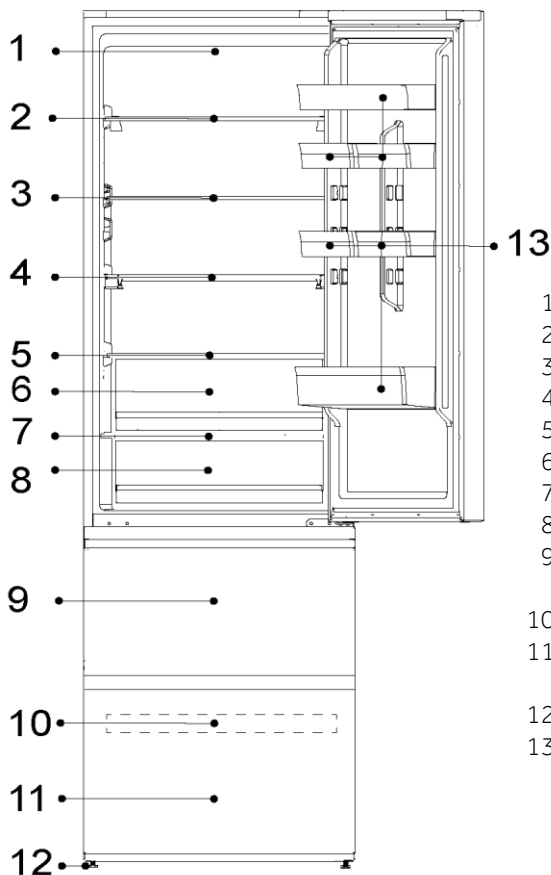
Ovaj proizvod zadovoljava zahteve svih važećih direktiva EC sa odgovarajućim usklađenim standardima, koji predviđaju CE oznaku.



i NAPOMENA

Zbog tehničkih promena i različitih modela, neke ilustracije u ovom priručniku mogu se razlikovati od modela.

(HTW5620EN*, HTW5620DN*, HTW5620CN*)

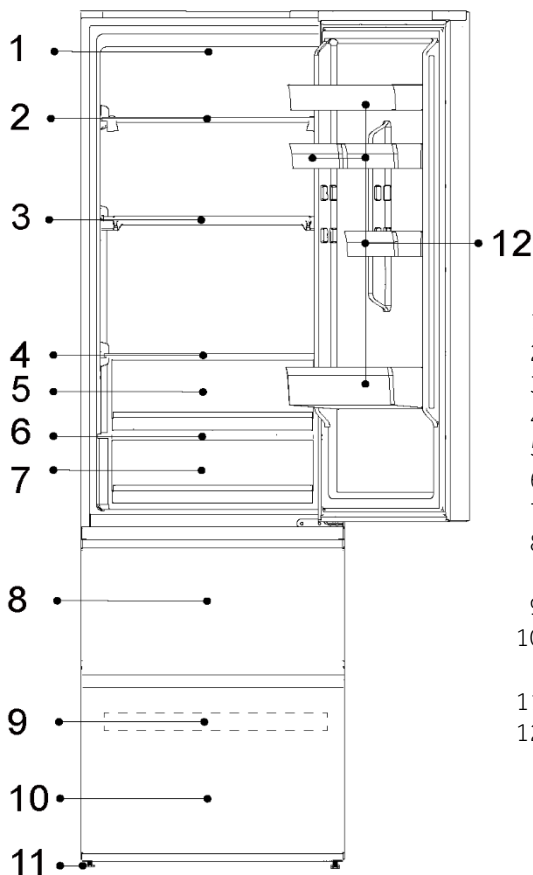


- 1-LED lampa frižidera
- 2-Stalak za vino
- 3-Staklena polica
- 4-Sklopiva polica
- 5-Poklopac fiokje Humidity Zone
- 6-Fioka Humidity Zone
- 7-Poklopac fiokje My Zone
- 8-Fioka My Zone
- 9-Gornja fioka za čuvanje u zamrzivaču
- 10-Tacna zamrzivača
- 11-Donja fioka za čuvanje u zamrzivaču
- 12-Podesive stopice
- 13-Polica na vratima

i NAPOMENA

Zbog tehničkih promena i različitih modela, neke ilustracije u ovom priručniku mogu se razlikovati od modela.

(HTW5618DN*, HTW5618CN*, HTW5618EN*)

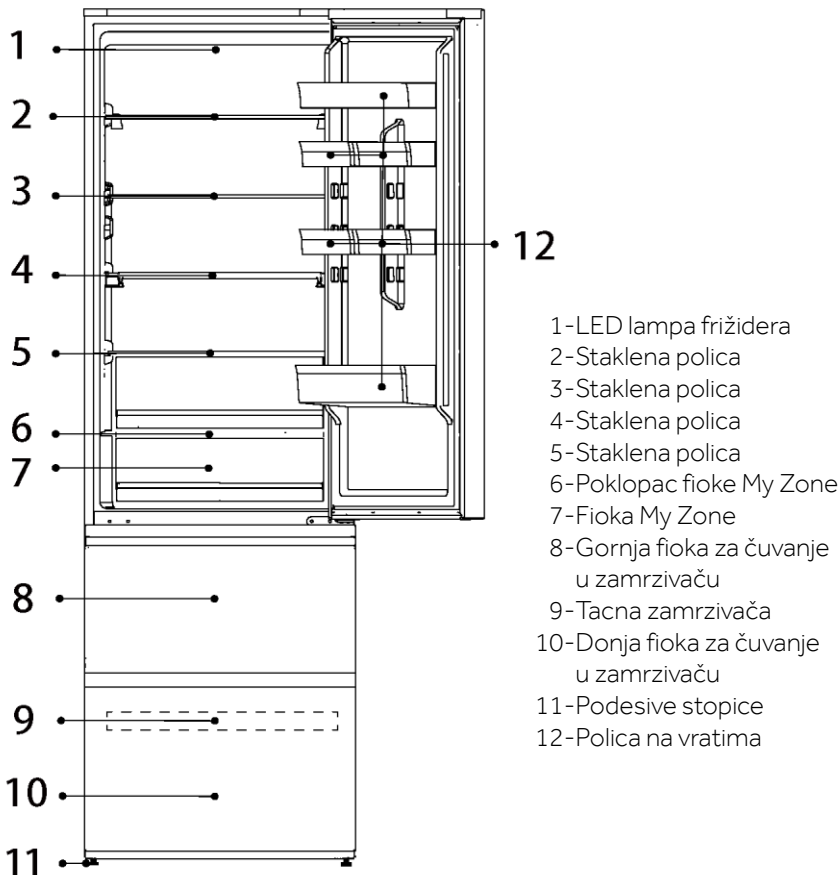


- 1-LED lampa frižidera
- 2-Stalak za vino
- 3-Sklopiva polica
- 4-Poklopac fioke Humidity Zone
- 5-Fioka Humidity Zone
- 6-Poklopac fioke My Zone
- 7-Fioka My Zone
- 8-Gornja fioka za čuvanje u zamrzivaču
- 9-Tacna zamrzivača
- 10-Donja fioka za čuvanje u zamrzivaču
- 11-Podesive stopice
- 12-Polica na vratima

i NAPOMENA

Zbog tehničkih promena i različitih modela, neke ilustracije u ovom priručniku mogu se razlikovati od modela.

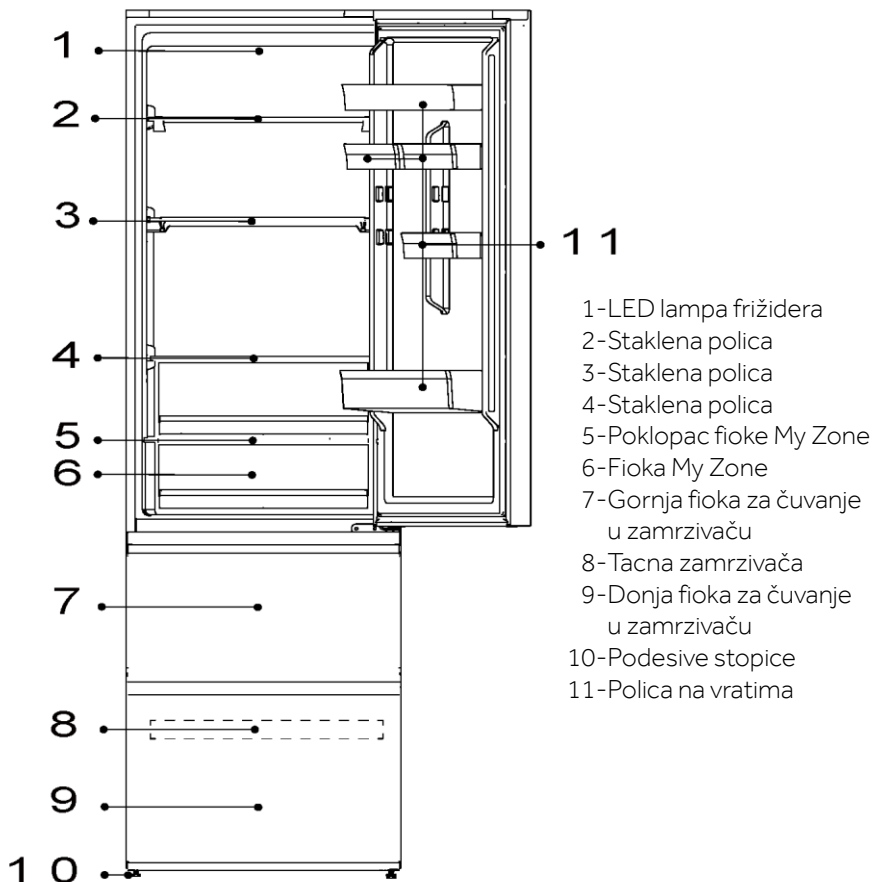
(HTW3620EN*, HTW3620DN*, HTW3620CN*)



i NAPOMENA

Zbog tehničkih promena i različitih modela, neke ilustracije u ovom priručniku mogu se razlikovati od modela.

(HTW3618EN*, HTW3618DN*, HTW3618CN*)

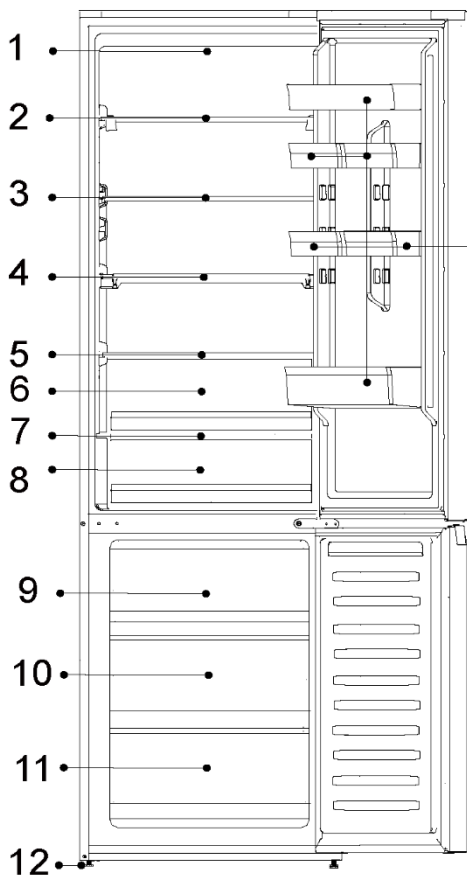




i NAPOMENA

Zbog tehničkih promena i različitih modela, neke ilustracije u ovom priručniku mogu se razlikovati od modela.

(HDPW5620DN*, HDPW5620CN*, HDPW5620BN*, HDPW5620AN*)



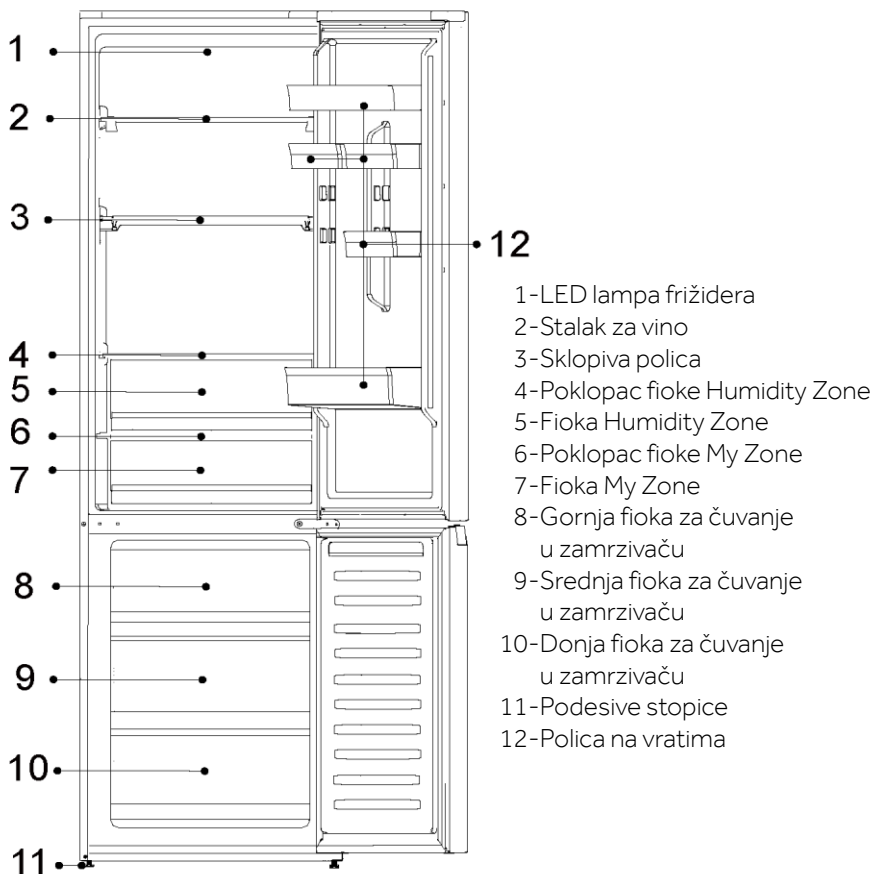
• 13

- 1-LED lampa frižidera
- 2-Stalak za vino
- 3-Staklena polica
- 4-Sklopiva polica
- 5-Poklopac fioke Humidity Zone
- 6-Fioka Humidity Zone
- 7-Poklopac fioke My Zone
- 8-Fioka My Zone
- 9-Gornja fioka za čuvanje u zamrzivaču
- 10-Srednja fioka za čuvanje u zamrzivaču
- 11-Donja fioka za čuvanje u zamrzivaču
- 12-Podesive stopice
- 13-Polica na vratima

i NAPOMENA

Zbog tehničkih promena i različitih modela, neke ilustracije u ovom priručniku mogu se razlikovati od modela.

(HDPW5618DN*, HDPW5618CN*)

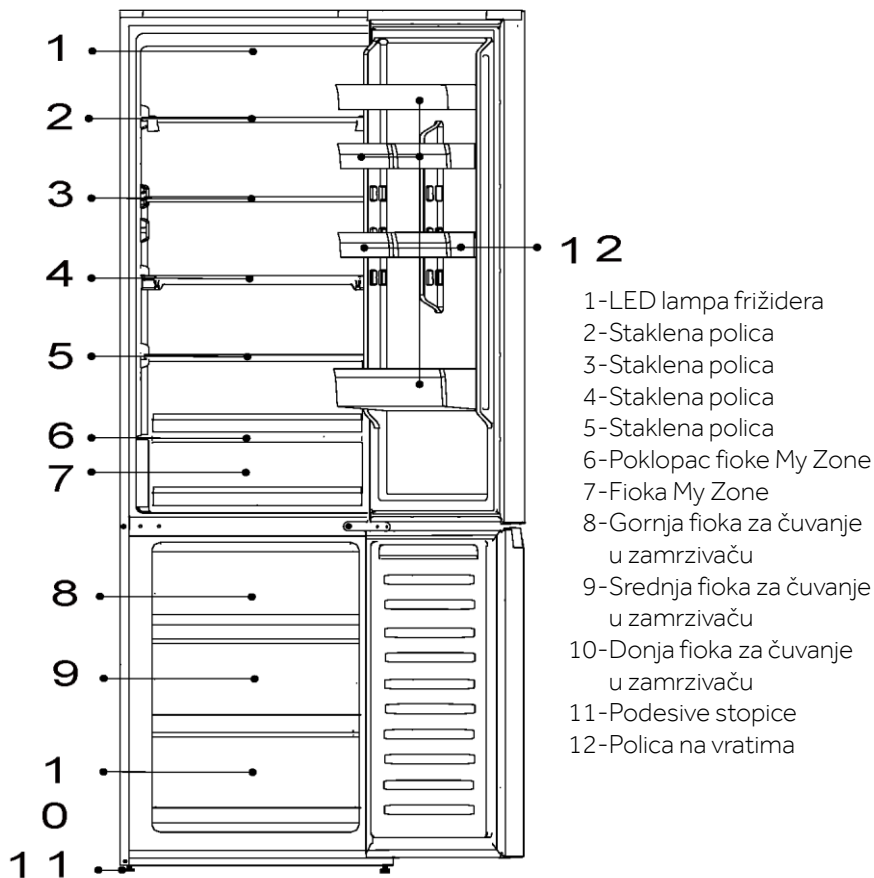




i NAPOMENA

Zbog tehničkih promena i različitih modela, neke ilustracije u ovom priručniku mogu se razlikovati od modela.

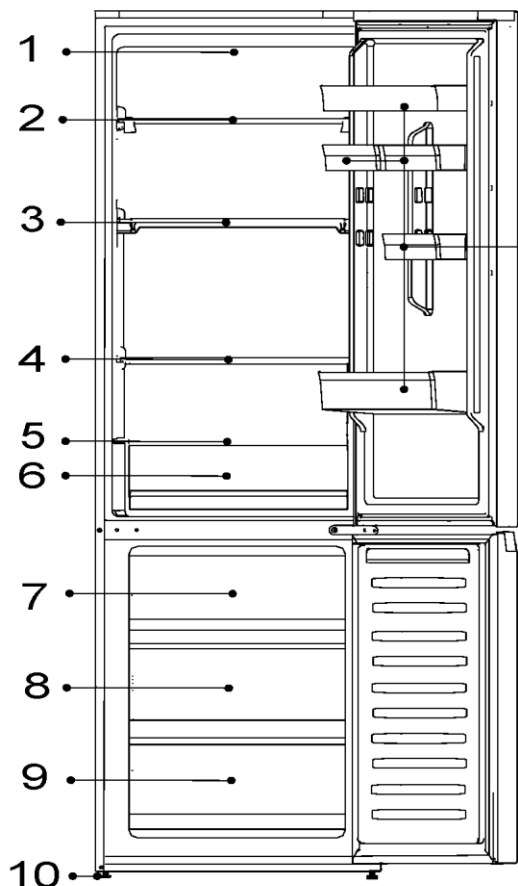
(HDPW3620DN*, HDPW3620CN*)



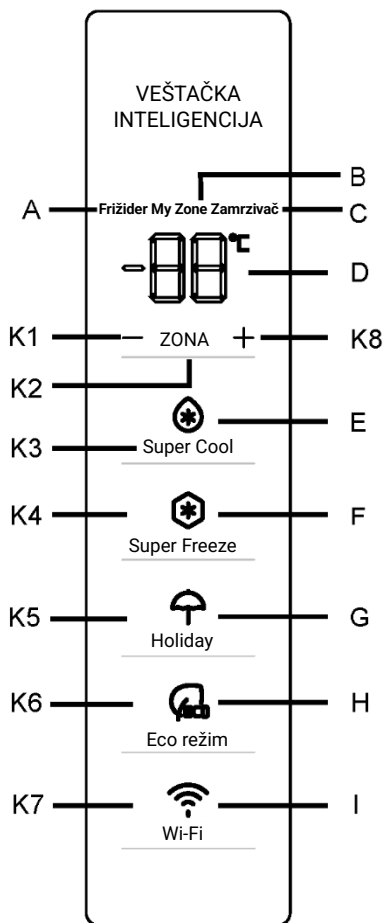
i NAPOMENA

Zbog tehničkih promena i različitih modela, neke ilustracije u ovom priručniku mogu se razlikovati od modela.

(HDPW3618DN*, HDPW3618CN*)



- 1-LED lampa frižidera
- 2-Staklena polica
- 3-Staklena polica
- 4-Staklena polica
- 5-Poklopac fiokice My Zone
- 6-Fioka My Zone
- 7-Gornja fioka za čuvanje u zamrzivaču
- 8-Srednja fioka za čuvanje u zamrzivaču
- 9-Donja fioka za čuvanje u zamrzivaču
- 10-Podesive stopice
- 11-Polica na vratima

Kontrolni panel

Indikatori:

- A Odeljak frižidera
- B Odeljak za hlađenje (My Zone)
- C Odeljak zamrzivača
- D Prikaz temperature
- E Funkcija Super Cool
- F Funkcija Super Freeze
- G Funkcija Holiday
- H Funkcija Eco režima
- I Wi-Fi funkcija

Dugmad:

- K1 Smanjite temperaturu
- K2 Izbor frižidera, My Zone i zamrzivača
- K3 Uključivanje/isključivanje funkcije Super Cool
- K4 Uključivanje/isključivanje funkcije Super Freeze
- K5 Uključivanje/isključivanje funkcije Holiday
- K6 Uključivanje/isključivanje funkcije Eco režima
- K7 Uključivanje/isključivanje Wi-Fi funkcije
- K8 Povećajte temperaturu

Pre prve upotrebe

Uklonite sve materijale za pakovanje, držite ih van domašaja dece i odložite ih na ekološki prihvatljiv način.

Očistite unutrašnjost i spoljašnjost uređaja, kao i dodatnu opremu, vodom i blagim deterdžentom i dobro ih osušite mekom krpom.

Nakon što je uređaj nivelisan i očišćen, sačekajte najmanje 2 sata pre nego što ga priključite na napajanje. Pogledajte odeljak MONTAŽA.

Ohladite odeljke pri visokim postavkama pre postavljanja hrane. Funkcija Super Freeze pomaže da se zamrzivač ohladi brzo

Senzorski tasteri

Dugmad na kontrolnom panelu su senzorski tasteri koji reaguju i na blag dodir prstom.

Uključite/isključite uređaj

Uređaj je u funkciji čim se priključi na napajanje.

Kada se uređaj prvi put uključi, indikatori temperature „D” prikazuju vrednosti podešavanja (pogledajte dole navedeno Obaveštenje).



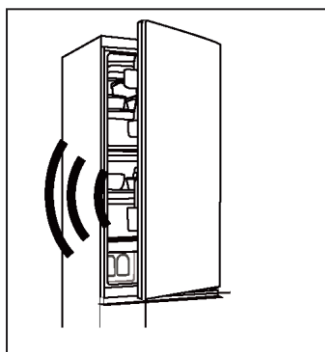
NAPOMENA

Uređaj je podešen na preporučenu temperaturu od 5 °C (frižider) i -18 °C (zamrzivač). My Zone temperatura je unapred podešena na oko 2 °C. Ovo su preporučene postavke. Ako želite, možete ručno da promenite ove temperature.

Alarm za otvaranje vrata

Kada su vrata frižidera otvorena duže od 3 minuta, oglašiće se alarm za otvaranje vrata.

Alarm se može utišati zatvaranjem vrata. Ako su vrata otvorena duže od 7 minuta, svetlo unutar frižidera i osvetljenje kontrolnog panela će se automatski isključiti.



Podešavanje temperature

Na unutrašnju temperaturu utiču sledeći faktori:

- ▶ Temperatura okruženja
- ▶ Učestalost otvaranja vrata
- ▶ Količina hrane u uređaju
- ▶ Montaža uređaja



Podešavanje temperature frižidera

1. Pritisnite dugme „K2“ (izbor frižidera/ (My Zone) / zamrzivača) da biste izabrali odeljak frižidera. Ikona „A“ (odeljak frižidera) i „D“ (displej temperature) svetle.

2. Pritisnite dugme „K1/K8“ da biste podesili temperaturu frižidera.

Temperatura se povećava za po 1 °C, od najmanje 2 °C do najviše 8 °C. Optimalna temperatura u frižideru je 5 °C. Hladnije temperature podrazumevaju nepotrebnu potrošnju energije.

3. Nakon otprilike 5 sekundi, ikona temperature „D“ (prikaz temperature) će trajno svetliti i podešavanje će biti potvrđeno.

Podešavanje temperature zamrzivača

1. Pritisnite dugme „K2“ (Izbor frižidera/ (My Zone) / zamrzivača) da biste izabrali odeljak zamrzivača. Ikona „C“ (odeljak zamrzivača) i „D“ (displej temperature) svetle.

2. Pritisnite dugme „K1/K8“ da biste podesili temperaturu zamrzivača.

Temperatura se povećava za po 1 °C, od najmanje -24 °C do najviše -16 °C. Optimalna temperatura u frižideru je -18 °C. Hladnije temperature podrazumevaju nepotrebnu potrošnju energije.

3. Nakon oko 5 sekundi, indikator temperature „D“ (prikaz temperature) će trajno svetliti i podešavanje će biti potvrđeno.

Podešavanje temperature za My Zone

Odeljak frižidera sadrži fioku My Zone. U skladu sa zahtevima za čuvanje hrane, može se izabrati najpogodnija temperatura kako bi se dobila optimalna nutritivna vrednost hrane.

1. Pritisnite dugme „K2“ (izbor frižidera / (My Zone) / Zamrzivača) da biste izabrali odeljak My Zone. Ikona „B“ (odeljak My Zone) i „D“ (displej temperature) svetle.

2. Pritisnite dugme „K1/k8“ da biste podesili temperaturu My Zone.

Temperatura se povećava za po 1 °C, od najmanje 0 °C do najviše 5 °C.

3. Nakon otprilike 5 sekundi, ikona temperature „D“ (prikaz temperature) će trajno svetliti i podešavanje će biti potvrđeno.



NAPOMENA

1. Možete podesiti temperaturu odeljka My Zone u srednjem nivou (2 °C), kako biste sačuvali hranu u optimalnom okruženju za skladištenje.
2. Zbog različitog sadržaja vode u mesu, neko meso sa većom vlagom će biti zamrznuto na temperaturama nižim od 0°C, tako da „odmah isečeno” meso treba čuvati u fioci My Zone sa minimalnom temperaturom od 0 °C.
3. Voće osetljivo na hladnoću, kao što su ananas, avokado, banane, grejpfrut i povrće kao što su krompir, patlidžan, pasulj, krastavci, tikvice i paradajz, kao i sir, ne treba čuvati u fioci My Zone.
4. Ako je temperatura frižidera niža od temperature My Zone, normalno je da je temperatura My Zone niža od podešene temperature My Zone.

NAPOMENA

Nakon podešavanja temperature, ako se druga dugmad pritisnu u roku od 5 sekundi, trenutno podešavanje temperature će se odmah potvrditi. Ako se u roku od 5 sekundi ne izvrši nijedna operacija dugmeta, prikazuje se trenutna podešena temperatura dok se ekran ne ugasi.

NAPOMENA

Iz aplikacije je moguće prilagoditi temperaturu za frižider, zamrzivač i My Zone. Temperatura se može podesiti sa osetljivošću od 1 °C.

Funkcija Super Cool

1. Uključite funkciju Super Cool ako želite da čuvate veću količinu hrane (na primer, nakon nabavke). Funkcija Super Cool ubrzava hlađenje sveže hrane i štiti hranu koja je već u uređaju od neželjenog zagrevanja.
2. Pritisnite dugme „K3” ili ga uključite iz aplikacije, ikona „E” (funkcija Super Cool) svetli i funkcija je aktivirana.



i NAPOMENA

1. Uređaj isključuje „funkciju Super Cool“ nakon ulaska u „funkciju Super Cool“ na 6 sati ili pritiskom na dugme „K3“ kada ikona „E“ (funkcija Super Cool) svetli ili je isključite iz aplikacije.
2. U stanju Super Cool, ako je temperatura odeljka frižidera podešena, treperi ikona „E“ (funkcija Super Cool) koja označava da se ova radnja ne može izvršiti.

Funkcija Super Freeze

1. Sveža hrana treba da se u celosti zamrzne što je brže moguće. Tako se može sačuvati najbolja nutritivna vrednost, izgled i ukus. Funkcija Super Freeze ubrzava zamrzavanje sveže hrane i štiti hranu koja je već u uređaju od neželjenog zagrevanja. Ako je potrebno da zamrznete veliku količinu hrane odjednom, preporučuje se da podesite funkciju Super Freeze 24 sata ranije pre upotrebe odeljka zamrzivača.
2. Pritisnite dugme „K4“ (podešavanje funkcije Super Freeze) ili ga uključite iz aplikacije, ikona „F“ (funkcija Super Freeze) svetli i funkcija je aktivirana.

i NAPOMENA

1. Uređaj zatvara funkciju „Super Freeze“ nakon ulaska u „funkciju Super Freeze“ na 50 sati ili pritiskom na dugme „K4“ kada ikona „F“ (funkcija Super Freeze) svetli ili je isključite iz aplikacije.
2. U stanju Super Freeze, ako je temperatura odeljka zamrzivača podešena, treperi ikona „F“ (funkcija Super Freeze) koja označava da se ova radnja ne može izvršiti.

Funkcija Holiday

Funkcija Holiday se može koristiti za smanjenje potrošnje energije uređaja, kada se ne koristi redovno. Kada je funkcija uključena, frižider je isključen, dok će zamrzivač nastaviti da radi normalno. Ova funkcija trajno podešava temperaturu frižidera na 17 °C.

Ovo omogućava da se zadrže zatvorena vrata praznog frižidera bez pojave neprijatnih mirisa ili buđi tokom dužih odsustava (npr. tokom odmora). Zamrzivač možete slobodno da podesite.

1. Pritisnite dugme „K5“ (funkcija Holiday uključena/isključena) ili izaberite funkciju iz aplikacije, ikona „G“ (funkcija Holiday) svetli i funkcija je aktivirana.
2. Funkcija se može deaktivirati ponovnim pritiskom na dugme „K5“ (funkcija Holiday uključena/isključena) ili podešavanjem temperature frižidera ili izvođenjem bilo kog drugog podešavanja ili isključivanjem iz aplikacije.



NAPOMENA

1. Tokom funkcije Holiday, hrana ne treba da se čuva u odeljku frižidera. Temperatura od +17 °C je previsoka za čuvanje hrane.
2. Kada je funkcija Holiday uključena, ikona My Zone ostaje isključena i funkcija frižidera je zaključana. Ako je temperatura frižidera podešena, treperi ikona „G“ (funkcija Holiday) koja označava da se ova radnja ne može izvršiti.

Funkcija Eco režima

Eco režim se može aktivirati kako bi se optimizovale performanse uređaja, uz dobijanje najboljeg skladištenja hrane. Ako nemate posebne zahteve, preporučujemo da koristite Eco režim.

U ovom režimu temperatura frižidera je 5 °C, temperatura zamrzivača je -18 °C.

1. Pritisnite dugme „K6“ (funkcija Eco režima uključena/isključena) ili izaberite funkciju iz aplikacije.
2. Ikona „H“ (funkcija Eco režima) svetli i funkcija je aktivirana.

Ponavljanjem gorenavedenih koraka ili odabirom druge funkcije ili isključivanjem iz aplikacije, ova funkcija se može ponovo isključiti. Prethodno podešeni nivoi hlađenja se vraćaju.



NAPOMENA

Tokom funkcije Eco režima, ako je temperatura frižidera/zamrzivača podešena, treperi ikona „H“ (funkcija Eco režima) koja označava da se ova radnja ne može izvršiti.



1. korak Preuzmite aplikaciju hOn-App iz neke od prodavnica.

2. korak Kreirajte svoj nalog u aplikaciji hOn ili se prijavite ako već imate nalog.

3. korak Pratite uputstva za uparivanje u aplikaciji hOn.

Wi-Fi funkcija

1. Pratite uputstva u aplikaciji da biste konfigurisali Wi-Fi.
2. Kada je Wi-Fi konfigurisan i veza uspostavljena, Wi-Fi ikona „I” će stalno svetleti.
3. Ako je Wi-Fi već konfigurisan, automatski će se ponovo povezati u skladu sa informacijama o konfiguraciji ako se uključi Wi-Fi.

NAPOMENA

1. Da biste isključili Wi-Fi, pritisnite Wi-Fi dugme „K7” i Wi-Fi ikona „I” se isključuje.
2. Da biste uključili Wi-Fi i pokrenuli konfiguraciju, pritisnite Wi-Fi dugme „K7” i Wi-Fi ikona „I” počinje polako da treperi. Ako želite da konfigurirate Wi-Fi funkciju, pritisnite dugme „K7” na 3 sekunde, ikona Wi-Fi brzo treperi i prelazi u režim konfiguracije. Ako želite da isključite Wi-Fi funkciju, pritisnite dugme „K7” jednom. Gorenavedeni koraci se ponavljaju.
3. Ako je proizvod konfigurisan i Wi-Fi funkcija je isključena, frižider neće ući u režim konfiguracije nakon ponovnog povezivanja napajanja.

NAPOMENA

1. Ovaj proizvod nije namenjen za komercijalnu upotrebu.
2. Maksimalna izlazna snaga RF: 2,4 GHz Wi-Fi: 16 dBm;
3. Bluetooth® Low Energy: 5 dBm; Bluetooth® (BR/EDR): 10 dBm.
4. Frekvencijski opseg rada: 2400–2483,5 MHz.



Zaštitni znak i Bluetooth® logotip su registrovani zaštitni znakovi u vlasništvu kompanije Bluetooth SIG, Inc. i svaka upotreba takvih znakova od strane Candy Hoover Group SRL je u skladu sa licencom. Ostali zaštitni znakovi i trgovačka imena su vlasništvo njihovih odgovarajućih vlasnika

Čuvanje u frižideru

- Držite temperaturu frižidera ispod 5 °C.
- Topla hrana mora da se ohladi na sobnu temperaturu pre čuvanja u uređaju.
- Hrana koja se čuva u frižideru treba da se opere i osuši pre čuvanja.
- Dobro zatvorite hranu koju treba čuvati, kako bi se izbegle promene mirisa ili ukusa.
- Nemojte da čuvate prekomerne količine hrane. Ostavite razmak između namirnica kako bi se omogućilo da hladan vazduh struji oko njih radi boljeg i ravnomernijeg hlađenja.
- Hranu koja se jede svakodnevno treba čuvati na prednjoj strani police.
- Ostavite razmak između hrane i unutrašnjih zidova da biste omogućili protok vazduha. Ni na koji način nemojte da čuvate hranu uz zadnji zid: hrana se može zamrznuti na njemu. Izbegavajte direktan kontakt hrane (posebno masne ili kisele hrane) sa unutrašnjom oblogom, jer ulje/kiselina može da erodira unutrašnji sloj. Očistite zaprljanja od ulja/kiselina kad god ih uočite.
- Smrznuta hrana se može lagano odmrznuti u odeljku frižidera. Ovo štedi energiju.
- Proces sazrevanja voća i povrća kao što su tikvice, dinje, papaja, banane, ananas i sl. može se ubrzati u frižideru. Zbog toga se ne preporučuje da ih čuvate u frižideru. Međutim, sazrevanje jako zelenih voćki može se ubrzati tokom određenog perioda. Luk, beli luk, đumbir i drugo korenasto povrće takođe treba čuvati na sobnoj temperaturi.
- Neprijatni mirisi unutar frižidera znak su da se nešto prosulo i da je potrebno čišćenje. Pogledajte deo „Nega i čišćenje“.
- Različite namirnice treba staviti u različite oblasti prema njihovim svojstvima.

Čuvanje u zamrzivaču

- Održavajte temperaturu zamrzivača na -18 °C.
- 24 sata pre zamrzavanja, uključite funkciju Super-Freeze. Za male količine hrane dovoljno je 4–6 sati.
- Topla hrana mora biti ohlađena na sobnu temperaturu pre čuvanja u zamrzivaču.
- Namirnice isečene na manje delove će se brže zamrznuti i lakše odmrzavati i kuvati. Preporučuje se da svaki deo teži manje od 2,5 kg
- Bolje je pakovati hranu pre stavljanja u zamrzivač. Spoljašnjost ambalaže mora biti suva kako bi se izbeglo lepljenje kesu. Materijali ambalaže treba da budu bez mirisa, hermetički zatvoreni, neotrovni i netoksični.
- Da biste izbegli istek perioda čuvanja, zabeležite datum zamrzavanja, rok i naziv namirnica na pakovanju prema periodima čuvanja različitih namirnica.



UPOZORENJE!

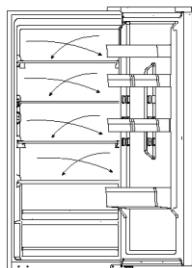
- ▶ Kiselina, baze i soli mogu da erodiraju unutrašnju površinu zamrzivača.
- ▶ Ne stavljajte hranu koja sadrži ove supstance (npr. morsku ribu) direktno na unutrašnju površinu. Slanu vodu u zamrzivaču treba odmah očistiti.
- ▶ Nemojte da prekoračite vreme čuvanja hrane koje preporučuju proizvođači. Izvadite samo potrebnu količinu hrane iz zamrzivača.
- ▶ Konzumirajte odmrznutu hranu brzo. Odmrznutu hranu se ne može ponovo zamrznuti osim ako se prethodno ne skuva, inače možda neće biti jestiva.
- ▶ Nemojte stavljati prekomerne količine sveže hrane u zamrzivač. Pogledajte kapacitet zamrzavanja zamrzivača – pogledajte TEHNIČKI PODACI ili natpisnu pločicu.
- ▶ Hrana se može čuvati u zamrzivaču na temperaturi od najmanje -18 °C od 2 do 12 meseci, u zavisnosti od svojstava (npr. meso: 3–12 meseci, povrće: 6–12 meseci)
- ▶ Prilikom zamrzavanja sveže hrane, izbegavajte da je dovodite u kontakt sa već zamrznutom hranom. Rizik od odmrzavanja!

Prilikom čuvanja komercijalno smrznute hrane, pratite ove smernice:

- Uvek pratite smernice proizvođača u pogledu vremena tokom kojeg treba čuvati hranu. Nemojte prekoračiti ove smernice!
- Pokušajte da održite što je moguće kraće vreme između kupovine i čuvanja kako biste očuvali kvalitet hrane.
- Kupite smrznutu hranu, koja se čuva na temperaturi od -18°C ili nižoj.
- Izbegavajte kupovinu hrane koja ima led ili mraz na pakovanju. Ovo ukazuje na to da su proizvodi možda delimično odmrznuti i zamrznuti u nekom trenutku, a porast temperature utiče na kvalitet hrane.

i NAPOMENA

Zbog različitih modela, vaš proizvod možda nema sve sledeće karakteristike. Pogledajte poglavlje Opis proizvoda. I.



Višestruki protok vazduha

Frižider je opremljen sistemom sa višestrukim protokom vazduha, pri čemu se struja hladnog vazduha nalazi na svakom nivou police. Ovo pomaže u održavanju ravnomerne temperature kako bi se osiguralo da hrana bude sveža duže.

Podesiva polica

1. Visina police može se podesiti tako da odgovara vašim potrebama u pogledu čuvanja hrane.
2. Da biste premestili policu, prvo je uklonite podizanjem zadnje ivice ① i izvlačenjem ②.
3. Da biste je ponovo postavili, stavite je na držače sa obe strane i gurnite je što je moguće dublje dok se zadnji deo police ne učvrsti unutar bočnih ureza



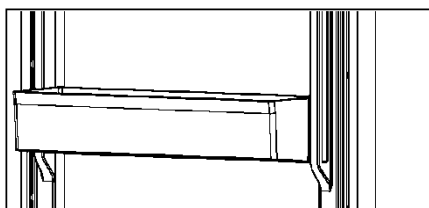
i NAPOMENA

Uverite se da su svi krajevi police ravni.

Demontažna polica na vratima

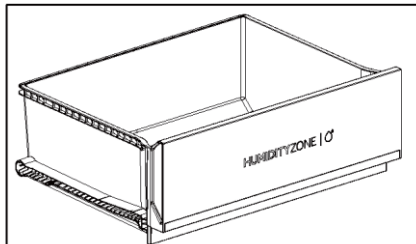
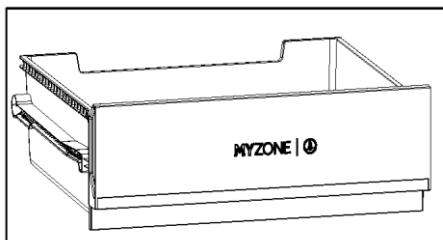
Polica na vratima se može ukloniti radi čišćenja:

Stavite šake na obe strane police, podignite je prema gore (1) i izvucite je (2). Da biste vratili policu u vratima, obavite gorenavedene korake obrnutim redosledom.



Fioka My Zone

Za korišćenje i podešavanje odeljka My Zone, pogledajte odeljak UPOTREBA (My Zone).



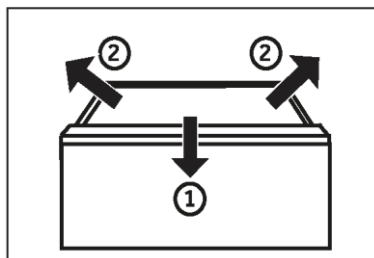
Fioka Humidity Zone

U ovom odeljku nivo vlage automatski reguliše sistem i pogodan je za čuvanje voća, povrća, salata itd.

Demontažna fioka

Da biste uklonili fioku iz frižidera ili zamrzivača, izvucite odeljak u najvećoj meri (1), podignite i uklonite (2).

Da biste ubacili fioku, obavite gorenavedene korake obrnutim redosledom.



Fioka zamrzivača

Fioka zamrzivača se može produžiti ravno i u potpunosti. Montiraju se na teleskopsku šinu koja se lako uklanja i postavlja. Tako da možete bez poteškoća čuvati i ukloniti zamrznute namirnice. Zbog automatskog mehanizma za zatvaranje vrata, rukovanje je lako i štedi energiju.



UPOZORENJE!

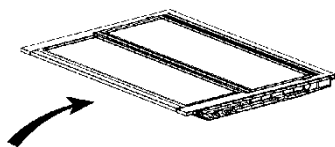
Nemojte da preopteretite fioke: Maksimalno opterećenje svake fioke: 35 kg!

Svetlo

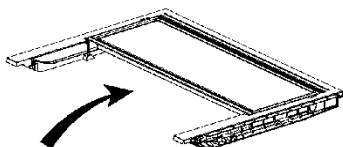
Unutrašnja LED lampica se uključuje kada se otvore vrata. Na učinak svetla ne utiče nijedna postavka uređaja.

Sklopiva polica

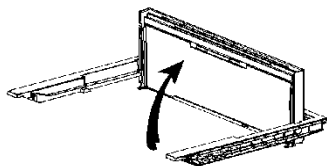
Sklopiva polica će omogućiti korisniku da stavi visoke boce ili predmete na police. Polica se može preklopiti sa zadnje strane i raspoloživi prostor donje police će biti veći. Polica se može preklopiti nakon koraka 1~3. Ako želite da se vratite na prvobitnu lokaciju, sprovedite sledeće postupke obrnutim redosledom.



1. korak: Polako gurnite prednju stranu police do kraja.



2. korak: Polako gurnite policu prema gore do vertikalne lokacije.



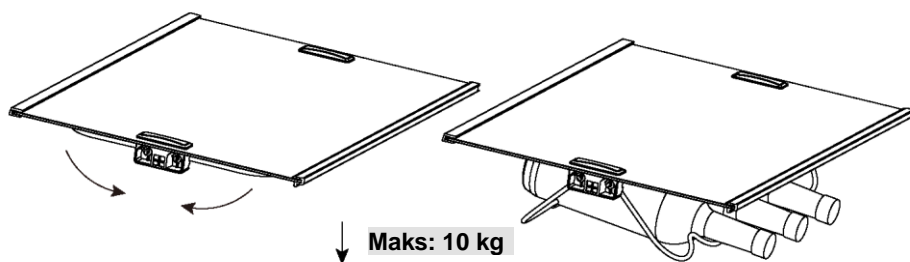
3. korak: Polica je vertikalna. To će uštedeti prostor.

Sklopivi stalak za vino

Za normalnu upotrebu

1. Povucite nadole nosače staka za vino
2. Postavite boce u policu

Kada se ne koriste, stalak za vino se mogu preklopiti nazad kako bi se uštedeo prostor.





Saveti za uštedu energije

- ▶ Uverite se da uređaj ima ispravnu ventilaciju (pogledajte MONTAŽA).
- ▶ Ne montirajte uređaj na direktnoj sunčevoj svetlosti ili u blizini izvora toplote (npr. šporeta, grejalica).
- ▶ Izbegavajte nepotrebno nisku temperaturu u uređaju. Potrošnja energije se povećava sa smanjenjem podešene temperature u uređaju.
- ▶ Funkcije poput SUPER FREEZE troše više energije.
- ▶ Sačekajte da se topla hrana ohladi pre nego što je stavite u uređaj.
- ▶ Otvarajte vrata uređaja što je manje i što kraće moguće.
- ▶ Nemojte da prepunite uređaj kako bi se izbeglo ometanje protoka vazduha.
- ▶ Izbegavajte zadržavanje vazduha pri pakovanju hrane.
- ▶ Održavajte čistoću zaptivki vrata tako da se uvek zatvaraju ispravno.
- ▶ Odmrzните zamrznutu hranu u odeljku za odlaganje u frižideru ili koristite funkciju D-Frost u fioci My Zone
- ▶ Konfiguracija koja najviše štedi energiju zahteva da se fioka, kutija za hranu i police postave u uređaj prema fabričkim postavkama, a da se hrana postavi bez blokiranja izlaznog otvora za vazduh u kanalu.



UPOZORENJE!

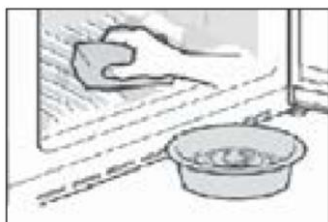
Čišćenje

Očistite uređaj samo kada se čuva mala količina hrane ili kada nema hrane u njemu. Uređaj treba da čistite na četiri nedelje radi dobrog održavanja i kako bi se sprečilo stvaranje neprijatnog mirisa hrane.



UPOZORENJE!

- ▶ Nemojte da čistite uređaj tvrdim četkama, žičanim četkama, deterdžentom u prahu, benzinom, amil acetatom, acetonom i sličnim organskim, kiselim ili alkalnim rastvorima. Čistite uređaj specijalnim deterdžentom za frižidere kako biste izbegli oštećenje.
- ▶ Nemojte da prskate tečnost na uređaj niti da ga ispirate tokom čišćenja.
- ▶ Nemojte da koristite raspršenu vodu ili paru za čišćenje uređaja.
- ▶ Nemojte da čistite hladne staklene police vrućom vodom. Iznenadna promena temperature može da prouzrokuje lom stakla.
- ▶ Nemojte da dodirujete unutrašnju površinu zamrzivača, naročito ne vlažnim šakama, jer šake mogu da vam se zamrznu na površini.
- ▶ U slučaju zagrevanja, proverite stanje zamrznute hrane.



- ▶ Uvek održavajte zaptivku vrata čistom.
- ▶ Očistite unutrašnjost i kućiste uređaja sunđerom natopljenim toplom vodom i neutralnom deterdžentu.
- ▶ 1. Oribajte unutrašnjost i spoljašnjost frižidera, uključujući zaptivku vrata, policu u vratima, staklene police, kutije itd. koristeći meku krpu ili sunđer umočen u toplu vodu (možete da dodate neutralni deterdžent u toplu vodu).
- ▶ 2. Ako se prolije tečnost, uklonite sve zaprljane delove, direktno isperite pod tekućom vodom, osušite i vratite nazad u frižider.
- ▶ 3. Ako se prolije gusta tečnost (na primer, šlag, otopljeni sladoled), uklonite sve zaprljane delove, stavite u toplu vodu od oko 40 °C neko vreme, a zatim isperite pod tekućom vodom, osušite i vratite nazad u frižider.
- ▶ 4. U slučaju da se neki mali deo ili komponenta zaglavi unutar frižidera (između policu ili fioka), oslobodite ga malom mekom četkom. Ako niste mogli da dođete do dela, obratite se servisnoj službi kompanije Haier
- ▶ Isperite i osušite mekom krpom.
- ▶ Nemojte da čistite nijedan deo uređaja u mašini za pranje sudova.
- ▶ Sačekajte najmanje 5 minuta pre ponovnog uključivanja uređaja, jer često uključivanje može oštetiti kompresor.

Odmrzavanje

Odmrzavanje frižidera i zamrzivača se vrši automatski, tako da ne morate to da radite ručno.



Zamena LED lampica



UPOZORENJE!

Nemojte sami da menjate LED lampicu. Nju sme da zameni samo proizvođač ili ovlašćeni serviser.

Lampice imaju LED tehnologiju za izvor svetlosti, što podrazumeva malu potrošnju energije i dugi vek trajanja. Ako postoji bilo kakva abnormalnost, obratite se korisničkoj službi. Pogledajte odeljak KORISNIČKA SLUŽBA.

Parametri lampica:

Deo	LED lampica
Napon	12 V
Maks. snaga	1,5 W
LED Spec	Bela – 2835
Klasa efikasnosti LED dioda	G
Temperatura upotrebe	-40~80 °C

Duži prekid rada

Ako se uređaj neće koristiti tokom dužeg vremenskog perioda i nećete koristiti funkciju „Holiday“ u frižideru:

Izvadite hranu.

Isključite kabl za napajanje.

Očistite uređaj kao što je opisano u prethodnom tekstu.

Držite vrata otvorena kako bi se sprečilo stvaranje neprijatnih mirisa u unutrašnjosti uređaja.



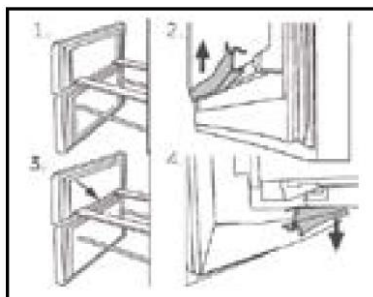
NAPOMENA

Isključite uređaj samo ako je to neophodno.

Demontažni pomoćni zaptivci vrata

Na gornjoj i donjoj fioci zamrzivača nalazi se šest pomoćnih zaptivki vrata.

1. Pronađite pet označenih zaptivki vrata na gornjoj i donjoj fioci zamrzivača.
 2. Uverite se da su savijeni delovi zaptivki usmereni prema unutra prilikom pričvršćivanja.
 3. Pronađite donju zaptivku gornje fioke, kao što je naznačeno.
 4. Uverite se da je savijeni deo zaptivke usmeren prema dole prilikom pričvršćivanja.
- Ove zaptivke, kao i zaptivke vrata/fioke možete nabaviti preko korisničke službe (pogledajte garantni list).



Premeštanje uređaja

1. Uklonite svu hranu i isključite uređaj iz mrežnog napajanja.
2. Zalepite police i druge pokretne delove u frižideru i zamrzivaču lepljivom trakom.
3. Nemojte naginjati frižider za više od 45° kako biste izbegli oštećenje rashladnog sistema.



UPOZORENJE!

- ▶ Nemojte da podižete uređaj držeći ga za ručke.
- ▶ Nemojte da postavljate uređaj vodoravno na zemlju.



Mnoge probleme koji se javljaju možete da rešite sami bez posedovanja posebne stručnosti. U slučaju problema, proverite sve predstavljene mogućnosti i pratite uputstva u nastavku pre nego što se obratite postprodajnoj službi. Pogledajte odeljak KORISNIČKA SLUŽBA.



UPOZORENJE!

- ▶ Pre sprovođenja održavanja, deaktivirajte uređaj i isključite utikač iz utičnice.
- ▶ Električnu opremu smeju da servisiraju samo stručni električari, jer nepravilne popravke mogu prouzrokovati značajnu posledičnu štetu.
- ▶ Oštećeni mrežni kabl sme da zameni samo proizvođač, radnik servisne službe ili slično kvalifikovana lica kako bi se izbegla opasnost.

Tabela za rešavanje problema

Problem	Mogući uzrok	Moguće rešenje
Kompresor ne radi.	Utikač nije priključen u utičnicu.	Priključite glavni utikač.
	Uređaj je u ciklusu odmrzavanja.	Ovo je normalno za automatsko odmrzavanje.
Uređaj radi često ili radi tokom dužeg vremenskog perioda.	Unutrašnja ili spoljašnja temperatura je previsoka.	U ovom slučaju, normalno je da uređaj radi duže.
	Uređaj je isključen tokom određenog vremenskog perioda.	Obično je potrebno od 8 do 12 sati da se uređaj potpuno ohladi.
	Vrata/fioka uređaja nije dobro zatvorena.	Zatvorite vrata/fioku i uverite se da se uređaj nalazi na ravnom terenu i da nikakva hrana niti posuda ne blokiraju vrata.
	Vrata/fioka je otvorena prečesto ili predugo.	Ne otvarajte vrata/fioku prečesto.
	Postavka temperature za zamrzivač je preniska.	Podesite višu temperaturu dok se ne dobije zadovoljavajuća temperatura frižidera. Potrebno je 24 sata da temperatura frižidera postane stabilna.
	Zaptivka vrata/fioke je prljava, istrošena, napukla ili neodgovarajuća.	Očistite zaptivku vrata/fioke ili neka je korisnička služba zameni.
	Potrebna cirkulacija vazduha nije zagarantovana.	Osigurajte adekvatnu ventilaciju.



Problem	Mogući uzrok	Moguće rešenje
Unutrašnjost frižidera je prljava i/ili neprijatno miriše.	Unutrašnjost frižidera treba da se očisti.	Očistite unutrašnjost frižidera.
	Hrana jakog mirisa se čuva u frižideru.	Dobro umotajte hranu.
Nije dovoljno hladno u unutrašnjosti uređaja.	Podešena je previsoka temperatura.	Resetujte temperaturu
	Čuva se previše topla hrana.	Uvek ohladite hranu pre nego što je stavite u uređaj.
	Previše hrane je smešteno u uređaj.	Uvek čuvajte manje količine hrane.
	Namirnice su preblizu jedna drugoj.	Ostavite razmak između namirnica da biste omogućili protok vazduha.
	Vrata/fioka uređaja nije dobro zatvorena.	Zatvorite vrata/fioku.
	Vrata/fioka je otvorena prečesto ili predugo.	Ne otvarajte vrata/fioku prečesto.
Prehladno je u unutrašnjosti uređaja.	Podešena je preniska temperatura.	Resetujte temperaturu.
	Funkcija Super Freeze se aktivira ili radi predugo.	Isključite funkciju Super Freeze.
Vlaga se formira na unutrašnjoj strani frižidera.	Klima okruženja je previše topla i previše vlažna.	Povećajte temperaturu.
	Vrata/fioka uređaja nije dobro zatvorena.	Zatvorite vrata/fioku.
	Vrata/fioka je otvorena prečesto ili predugo.	Ne otvarajte vrata/fioku prečesto.
	Posude za hranu ili tečnosti su otvorene.	Sačekajte da se vruća hrana ohladi na sobnoj temperaturi i prekrijte hranu i tečnosti.
Vlaga se akumulira na spoljnoj površini frižidera ili između vrata, to jest, vrata i fioke.	Klima okruženja je previše topla i previše vlažna.	Ovo je uobičajeno u vlažnoj klimi i promeniće se kada se vlažnost smanji.
	Vrata/fioka nije dobro zatvorena.	Uverite se da su vrata/fioke čvrsto zatvorene.



Problem	Mogući uzrok	Moguće rešenje
Velike količine leda i mraza su se formirale u zamrzivaču.	Namirnice nisu bile dobro upakovane.	Uvek dobro upakujte namirnice.
	zatvoreno.	
	Vrata/fioka je otvorena prečesto ili predugo.	Ne otvarajte vrata/fioku prečesto.
	Zaptivka vrata/fioke je prljava, istrošena, napukla ili neodgovarajuća.	Očistite zaptivku vrata/fioke ili zamenite je novom.
	Nešto iznutra sprečava pravilno zatvaranje vrata/fioke.	Promenite položaj polica, polica za vrata ili unutrašnjih posuda kako biste omogućili zatvaranje vrata/fioke.
Uređaj pravi neuobičajene zvukove.	Uređaj se nalazi na neravnoj površini.	Podesite stopice za nivelisanje uređaja.
	Uređaj dodiruje neki predmet do njega.	Uklonite predmete oko uređaja.
Čuje se tih zvuk koji je sličan zvuku tekuće vode.	Ovo je normalna pojava.	/
Čuje se pištanje.	Vrata frižidera su otvorena.	Zatvorite vrata ili ručno utišajte alarm.
Čuje se tiho brujanje.	Sistem protiv kondenzacije radi.	Ovo sprečava kondenzaciju i normalna je pojava.
Unutrašnji sistem osvetljenja ili hlađenja ne radi.	Utikač nije priključen u utičnicu	Priključite glavni utikač.
	Napajanje je neispravno.	Proverite napajanje električnom energijom u prostoriji. Pozovite električara!
	LED lampica nije ispravna.	Pozovite korisničku službu radi zamene lampice.
Bočne strane frižidera i lajsne na vratima se zagrevaju.	Ovo je normalna pojava.	/
Voda ne izlazi iz dozatora izliva vode	Zaključavanje nije deaktivirano.	Deaktivirajte zaključavanje



Prekid napajanja

- ▶ U slučaju prekida napajanja, hrana bi trebalo da ostane bezbedno hladna oko 13 sati. Pratite ove savete tokom dužeg prekida napajanja, posebno tokom leta.
- ▶ Ne stavljajte dodatnu hranu u uređaj tokom prekida napajanja.
- ▶ Ako se najavi prekid napajanja i ono traje duže od 13 sati, napravite kockice leda i stavite ih u posudu na gornju policu u unutrašnjosti frižidera.
- ▶ Odmah nakon prekida napajanja pregledajte sve namirnice.
- ▶ Pošto će temperatura u frižideru porasti tokom prekida napajanja ili drugog kvara, period čuvanja i jestivost hrane će se smanjiti. Svaku hranu koja se odmrzava treba konzumirati ili skuvati i ponovo zamrznuti (gde je to prikladno) ubrzo nakon toga kako bi se sprečili zdravstveni rizici.



NAPOMENA

Funkcija memorije tokom prekida napajanja

Nakon povratka napajanja, uređaj nastavlja rad sa postavkama koje su podešene pre nestanka struje.

Da biste se obratili tehničkoj pomoći, posetite našu veb-lokaciju:

<https://corporate.haier-europe.com/en/>

U odeljku „veb-lokacija” izaberite brend proizvoda i svoju zemlju. Bićete preusmereni na određenu veb-lokaciju na kojoj možete pronaći telefonski broj i druge načine za kontakt sa službom tehničke pomoći.

Raspakivanje



UPOZORENJE!

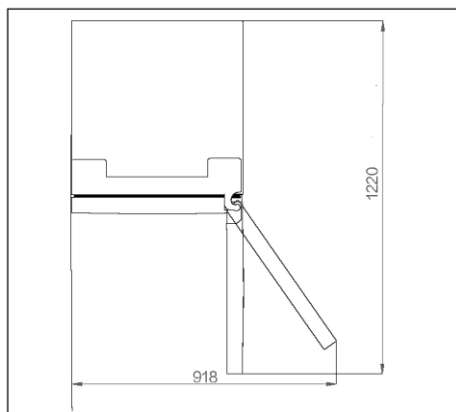
- ▶ Uređaj je težak. Njime uvek moraju da rukuju najmanje dve osobe.
- ▶ Čuvajte sve materijale ambalaže van domašaja dece i odložite ih u otpad na ekološki prihvatljiv način.
- ▶ Izvadite uređaj iz ambalaže.
- ▶ Uklonite sve materijale ambalaže.

Uslovi u okruženju

Sobna temperatura uvek treba da bude između 10 °C i 43 °C, jer može uticati na temperaturu unutar uređaja i njegovu potrošnju energije. Nemojte da montirate uređaj u blizini drugih uređaja koji emituju toplotu (rerne, frižideri) bez izolacije.

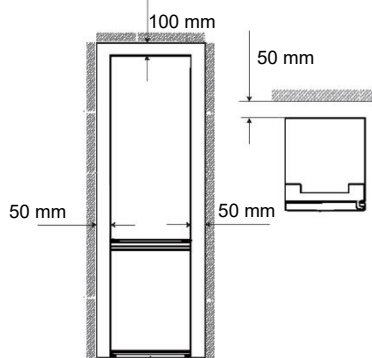
Preporuka za prostor

Preporučeni prostor kada su vrata otvorena.



Poprečni presek za ventilaciju

Da biste postigli dovoljnu ventilaciju uređaja iz bezbednosnih razloga, preporučujemo da se pridržavate smernica za preporuku prostora.

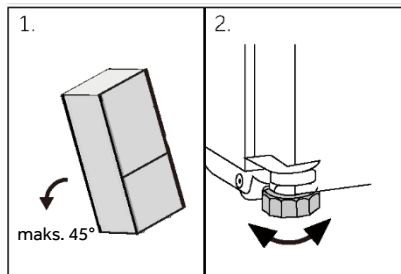


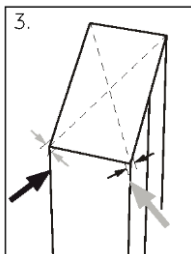
Poravnanje uređaja

Uređaj treba da postavite na ravnu i čvrstu površinu.

1. Nagnite frižider malo unazad.
2. Podesite stopice na željeni nivo.

Uverite se da je udaljenost do zida na strani sa šarkama najmanje 100 cm kako bi se vrata ispravno otvarala.

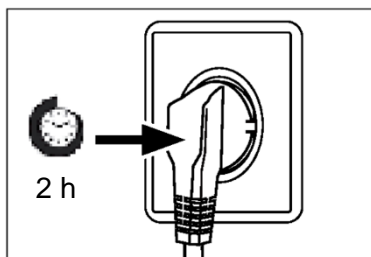




1. Stabilnost se može proveriti naizmeničnim udarcima po dijagonalama. Blago ljuljanje treba da bude ravnomerno u oba smera. U suprotnom se okvir može iskriviti. Posledica je moguće curenje zaptivki vrata. Blagi nagib prema nazad olakšava zatvaranje vrata.

i NAPOMENA

Kod samostojećih uređaja: Ovaj frižider nije predviđen da se koristi kao ugradni uređaj



Vreme čekanja

Ulje za podmazivanje koje ne zahteva održavanje nalazi se u kapsuli kompresora. Ovo ulje može da prođe kroz zatvoreni sistem cevi tokom transporta na nagibu. Pre priključivanja uređaja na mrežno napajanje, morate da sačekate 2 sata tako da ulje otekne nazad u kapsulu.

Električna veza

Pre svakog spajanja, proverite sledeće:

- ▶ napajanje, utičnica i osigurači su u skladu sa natpisnom pločicom.
- ▶ utičnica je uzemljena i nema više priključnica niti produžetka.
- ▶ utikač i utičnica su strogo usklađeni sa pravilima.

Priključite utikač u pravilno montiranu utičnicu za domaćinstvo.



UPOZORENJE!

Da bi se izbegli rizici, korisnička služba mora da zameni oštećeni mrežni kabl (pogledajte garantni list).

Reverzibilnost vrata

Pre povezivanja uređaja sa napajanjem, proverite da li je šarku vrata potrebno premestiti sa desne (kako je isporučeno) na levu stranu, ako je to potrebno zbog mesta montaže i praktičnosti.



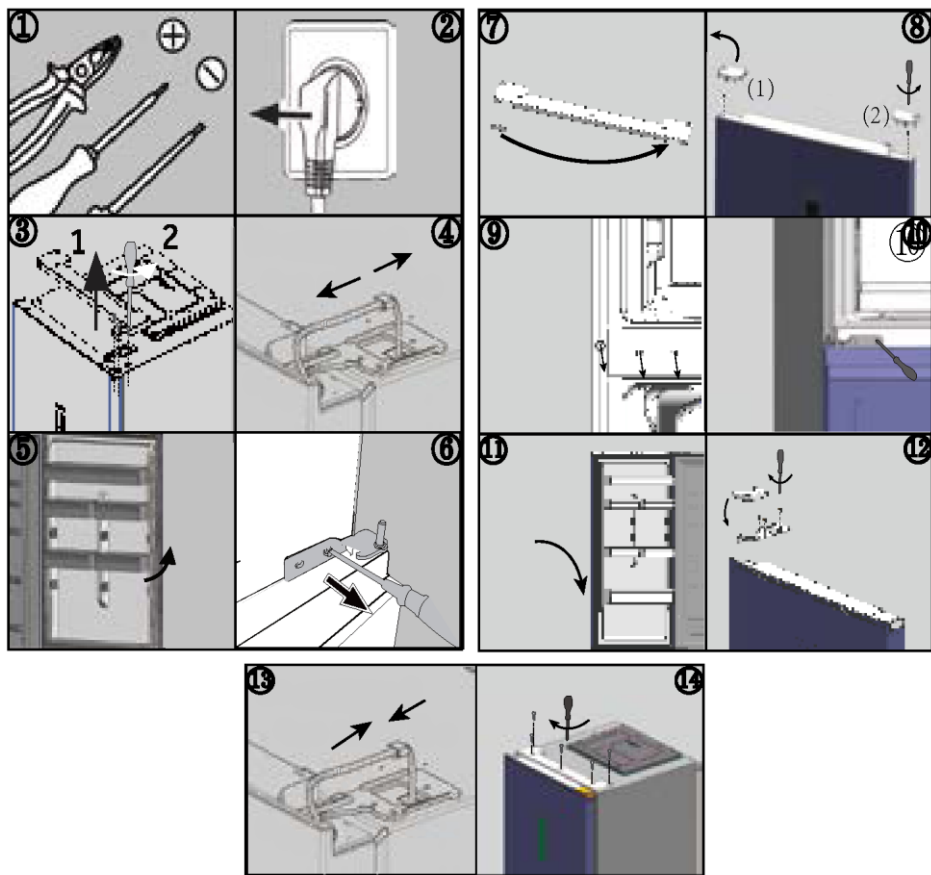
UPOZORENJE!

- ▶ Uređaj je težak. Potrebne su vam dve osobe da biste okrenuli vrata.
- ▶ Pre bilo kakvog rada, prvo isključite uređaj iz napajanja
- ▶ Nemojte naginjati uređaj više od 45 °C kako biste sprečili oštećenje rashladnog sistema.

Koraci montaže

1. Obezbedite neophodan alat.
2. Isključite uređaj iz napajanja.
3. Skinite poklopac gornje šarke 1 i odvrnite gornju šarku (tri zavrtnja) sa desne strane 2.
4. Isključite kabl za povezivanje
5. Pažljivo podignite labava vrata frižidera sa srednje šarke.
6. Uklonite srednju šarku.
7. Pomerite mali poklopac prednjeg panela sa leve na desnu stranu.
8. Okrenite vrata naopako i odvrnite poklopac (1). Izvadite novi poklopac (2) iz potrebne kese i zavrtnite ga na suprotnu stranu.
9. Promenite položaje čepova i zavrtnja sa bočne strane.
10. Zavrtnite srednju šarku na levu stranu uređaja. Obratite pažnju na okretanje osovine srednje šarke, vodeći računa da je strana sa zaptivkom okrenuta nagore
11. Pažljivo podignite gornja vrata na srednjoj šarki. I uverite se da se osovina uklapa u cev šarke donjih vrata
12. Izvadite novu gornju šarku i poklopac šarke iz torbe za dodatnu opremu. Postavite kabl za povezivanje kroz gornju šarku i pričvrstite gornju šarku pomoću tri zavrtnja s leve strane uređaja. I stavite poklopac šarke preko šarke.
13. Uključite priključni kabl.
14. Zamenite prednji panel i pričvrstite ga sa pet zavrtnja.

Nakon promene vrata proverite da li su zaptivke vrata pravilno postavljene na kućištu i da li su svi zavrtnji dobro zategnuti.



Temperature okruženja

Proširena umerena: Ovaj rashladni uređaj je namenjen za upotrebu na temperaturama okruženja u rasponu od 10 °C do 32 °C

Umerena: Ovaj rashladni uređaj je namenjen za upotrebu na temperaturama okruženja u rasponu od 16 °C do 32 °C;

Suptropska: Ovaj rashladni uređaj je namenjen za upotrebu na temperaturama okruženja u rasponu od 16 °C do 38 °C;

Tropska: „ovaj rashladni uređaj je namenjen za upotrebu na temperaturama okruženja u rasponu od 16 °C do 43 °C.



Parametri proizvoda prema uredbi (EU)2019/2016

Na osnovu standardnih rezultata testa za 24 sata. Stvarna potrošnja energije zavisice od toga kako se uređaj koristi i gde se nalazi

Model	HTW5618DN*	HTW5620DN*	HTW5618EN*
Tip rashladnog uređaja	Frižider – zamrzivač	Frižider – zamrzivač	Frižider – zamrzivač
Klasa energetske efikasnosti	D	D	E
Godišnja potrošnja energije (kWh/godišnje)	217	226	271
Zapremina odeljka frižidera (l)	201	255	201
Zapremina odeljka zamrzivača (l)	125	125	125
Zapremina odeljka za hlađenje (l)	34	34	34
Klasa zamrzavanja	4 zvezdice	4 zvezdice	4 zvezdice
Tip odmrzavanja	Automatsko odmrzavanje	Automatsko odmrzavanje	Automatsko odmrzavanje
Vreme porasta temperature (h)	13	13	11
Kapacitet zamrzavanja (kg/24 h)	10,0	10,0	10,0
Klimatska klasa	SN.N.ST.T	SN.N.ST.T	SN.N.ST.T
Klasa emisija buke i emisija akustične buke koje se prenose vazduhom (dB(A) re 1 pW)	B(35)	B(35)	B(35)



Model	HTW5618CN*	HTW5620CN*	HTW5620EN*
Tip rashladnog uređaja	Frižider – zamrzivač	Frižider – zamrzivač	Frižider – zamrzivač
Klasa energetske efikasnosti	C	C	E
Godišnja potrošnja energije (kWh/godišnje)	173	181	283
Zapremina odeljka frižidera (l)	201	255	255
Zapremina odeljka zamrzivača (l)	125	125	125
Zapremina odeljka za hlađenje (l)	34	34	34
Klasa zamrzavanja	4 zvezdice	4 zvezdice	4 zvezdice
Tip odmrzavanja	Automatsko odmrzavanje	Automatsko odmrzavanje	Automatsko odmrzavanje
Vreme porasta temperature (h)	13	13	11
Kapacitet zamrzavanja (kg/24 h)	10,0	10,0	10,0
Klimatska klasa	SN.N.ST.T	SN.N.ST.T	SN.N.ST.T
Klasa emisija buke i emisija akustične buke koje se prenose vazduhom (dB(A) re 1 pW)	B(35)	B(35)	B(35)



Model	HDPW5618DN*	HDPW5620DN*	HDPW3620DN*
Tip rashladnog uređaja	Frizider – zamrzivač	Frizider – zamrzivač	Frizider – zamrzivač
Klasa energetske efikasnosti	D	D	D
Godišnja potrošnja energije (kWh/godišnje)	214	220	220
Zapremina odeljka frižidera (l)	201	255	255
Zapremina odeljka zamrzivača (l)	117	117	117
Zapremina odeljka za hlađenje (l)	34	34	34
Klasa zamrzavanja	4 zvezdice	4 zvezdice	4 zvezdice
Tip odmrzavanja	Automatsko odmrzavanje	Automatsko odmrzavanje	Automatsko odmrzavanje
Vreme porasta temperature (h)	13	13	13
Kapacitet zamrzavanja (kg/24 h)	10,0	10,0	10,0
Klimatska klasa	SN.N.ST.T	SN.N.ST.T	SN.N.ST.T
Klasa emisija buke i emisija akustične buke koje se prenose vazduhom (dB(A) re 1 pW)	B(35)	B(35)	B(35)



Model	HDPW3618DN*	HDPW3620CN*	HTW3620DN*
Tip rashladnog uređaja	Frizider – zamrzivač	Frizider – zamrzivač	Frizider – zamrzivač
Klasa energetske efikasnosti	D	C	D
Godišnja potrošnja energije (kWh/godišnje)	214	176	226
Zapremina odeljka frižidera (l)	201	255	255
Zapremina odeljka zamrzivača (l)	117	117	125
Zapremina odeljka za hlađenje (l)	34	34	34
Klasa zamrzavanja	4 zvezdice	4 zvezdice	4 zvezdice
Tip odmrzavanja	Automatsko odmrzavanje	Automatsko odmrzavanje	Automatsko odmrzavanje
Vreme porasta temperature (h)	13	13	13
Kapacitet zamrzavanja (kg/24 h)	10,0	10,0	10,0
Klimatska klasa	SN.N.STT	SN.N.STT	SN.N.STT
Klasa emisija buke i emisija akustične buke koje se prenose vazduhom (dB(A) re 1 pW)	B(35)	B(35)	B(35)



Model	HDPW5618CN*	HDPW5620CN*	HDPW5620AN*
Tip rashladnog uređaja	Frižider – zamrzivač	Frižider – zamrzivač	Frižider – zamrzivač
Klasa energetske efikasnosti	C	C	A
Godišnja potrošnja energije (kWh/godišnje)	171	176	114
Zapremina odeljka frižidera (l)	201	255	255
Zapremina odeljka zamrzivača (l)	117	117	120
Zapremina odeljka za hlađenje (l)	34	34	34
Klasa zamrzavanja	4 zvezdice	4 zvezdice	4 zvezdice
Tip odmrzavanja	Automatsko odmrzavanje	Automatsko odmrzavanje	Automatsko odmrzavanje
Vreme porasta temperature (h)	13	13	16
Kapacitet zamrzavanja (kg/24 h)	10,0	10,0	10,0
Klimatska klasa	SN.N.STT	SN.N.STT	SN.N.STT
Klasa emisija buke i emisija akustične buke koje se prenose vazduhom (dB(A) re 1 pW)	B(35)	B(35)	B(35)



Dodatni tehnički podaci

Model	HTW5618DN*	HTW5618EN*	HTW5620DN*
Ukupna zapremina (l)	360	360	414
Napon/frekvencija	220-240 V / 50 Hz	220-240 V / 50 Hz	220-240 V / 50 Hz
Ulazna struja (A)	1,4	1,4	1,4
Glavni osigurač (A)	16	16	16
Rashladno sredstvo	R600a (53 g)	R600a (53 g)	R600a (53 g)
Dimenzije (Š/D/V u mm)	595*667*1850	595*667*1850	595*667*2050

Model	HTW5618CN*	HTW5620CN*	HTW5620EN*
Ukupna zapremina (l)	360	414	414
Napon/frekvencija	220-240 V / 50 Hz	220-240 V / 50 Hz	220-240 V / 50 Hz
Ulazna struja (A)	1,4	1,4	1,4
Glavni osigurač (A)	15	15	16
Rashladno sredstvo	R600a (50 g)	R600a (50 g)	R600a (53 g)
Dimenzije (Š/D/V u mm)	595*667*1850	595*667*2050	595*667*2050



Model	HDPW5618DN*	HDPW5620DN*	HDPW3620DN*
Ukupna zapremina (l)	352	406	406
Napon/frekvencija	220-240 V / 50 Hz	220-240 V / 50 Hz	220-240 V / 50 Hz
Ulazna struja (A)	1,4	1,4	1,4
Glavni osigurač (A)	16	16	16
Rashladno sredstvo	R600a (53 g)	R600a (53 g)	R600a (53 g)
Dimenzije (Š/D/V u mm)	595*667*1850	595*667*2050	595*667*2050

Model	HDPW5618CN*	HDPW5620CN*	HDPW5620AN*
Ukupna zapremina (l)	352	406	409
Napon/frekvencija	220-240 V / 50 Hz	220-240 V / 50 Hz	220-240 V / 50 Hz
Ulazna struja (A)	1,4	1,4	1,4
Glavni osigurač (A)	15	15	15
Rashladno sredstvo	R600a (50 g)	R600a (50 g)	R600a (50 g)
Dimenzije (Š/D/V u mm)	595*667*1850	595*667*2050	595*667*2050



Model	HDPW5618CN*	HDPW5620CN*	HDPW5620AN*
Ukupna zapremina (l)	352	406	409
Napon/frekvencija	220-240 V / 50 Hz	220-240 V / 50 Hz	220-240 V / 50 Hz
Ulazna struja (A)	1,4	1,4	1,4
Glavni osigurač (A)	15	15	16
Rashladno sredstvo	R600a (50 g)	R600a (50 g)	R600a (50 g)
Dimenzije (Š/D/V u mm)	595*667*1850	595*667*2050	595*667*2050



Preporučujemo našu Haier korisničku službu i upotrebu originalnih rezervnih delova. Ako imate problema sa uređajem, prvo pogledajte odeljak REŠAVANJE PROBLEMA.

Ako ne možete da pronađete rešenje tamo, obratite se

- ▶ lokalnom prodavcu ili
- ▶ našem evropskom pozivnom centru servisne službe (pogledajte brojeve telefona navedene u nastavku) ili
- ▶ idite u oblast „Servis i podrška” na stranici www.haier.com gde možete poslati zahtev
- ▶ za servis i pronaći pitanja i odgovore.

Da biste se obratili našem servisu, uverite se da imate na raspolaganju sledeće podatke. Informacije se mogu naći na natpisnoj pločici.

Model _____

Serijski broj _____

Takođe, pogledajte garantni list koji je isporučen sa proizvodom u slučaju garancije.

Evropski pozivni centar servisne službe		
Zemlja*	Broj telefona	Troškovi
Haier Italy (IT)	199 100 912	
Haier Spain (ES)	902 509 123	
Haier Germany (DE)	0180 5 39 39 99	<ul style="list-style-type: none"> • 14 ct/min. za pozive na fiksni telefon • maks. 42 ct/min. za pozive na mobilni telefon
Haier Austria (AT)	0820 001 205	<ul style="list-style-type: none"> • 14,53 ct/min. za pozive na fiksni telefon • maks. 20 ct/min. sve ostalo
Haier United Kingdom (UK)	0333 003 8122	
Haier France (FR)	0980 406 409	



* Za druge zemlje, pogledajte www.haier.com

Haier Europe Trading S.r.l

Branch UK

Westgate House, Westgate, Ealing

London, W5 1YY

*Trajanje garancije za rashladni uređaj:

Minimalna garancija je: 2 godine za zemlje EU, 3 godine za Tursku, 1 godina za Veliku Britaniju, 1 godina za Rusiju, 3 godine za Švedsku, 2 godine za Srbiju, 5 godina za Norvešku, 1 godina za Maroko, 6 meseci za Alžir, u Tunisu nije potrebna zakonska garancija.

*Period dostupnosti rezervnih delova za popravku uređaja:

Termostati, temperaturni senzori, štampane ploče i izvori svetlosti dostupni su u trajanju od najmanje sedam godina nakon stavljanja poslednje jedinice modela na tržište.

Ručke za vrata, šarke vrata, tacne i korpe za minimalni period od sedam godina i zaptivke vrata za minimalni period od 10 godina, nakon stavljanja poslednje jedinice modela na tržište.

* Za dodatne informacije o proizvodu, pogledajte stranicu <https://eprel.ec.europa.eu/> ili skenirajte QR kôd na energetske nalepnici koja je isporučena sa uređajem.



Haier

2023. Verzija A



0060534356