

FDW 614 D10P DOS LP D

EN	User manual
DE	Bedienungsanleitung
ES	Manual de usuario
FR	Manuel d'utilisation
IT	Istruzioni per l'uso
NL	Gebruiksaanwijzing
PT	Manual do utilizador

Dishwasher
Geschirrspüler
Lavavajillas
Lave-vaisselle
Lavastoviglie
Vaatwasmachine
Lava-louças

LANGUAGES

EN	USER MANUAL	3
DE	BEDIENUNGSANLEITUNG	14
ES	MANUAL DE USUARIO	25
FR	MANUEL D'UTILISATION	36
IT	ISTRUZIONI PER L'USO	47
NL	GEBRUIKSAANWIJZING	58
PT	MANUAL DO UTILIZADOR	69

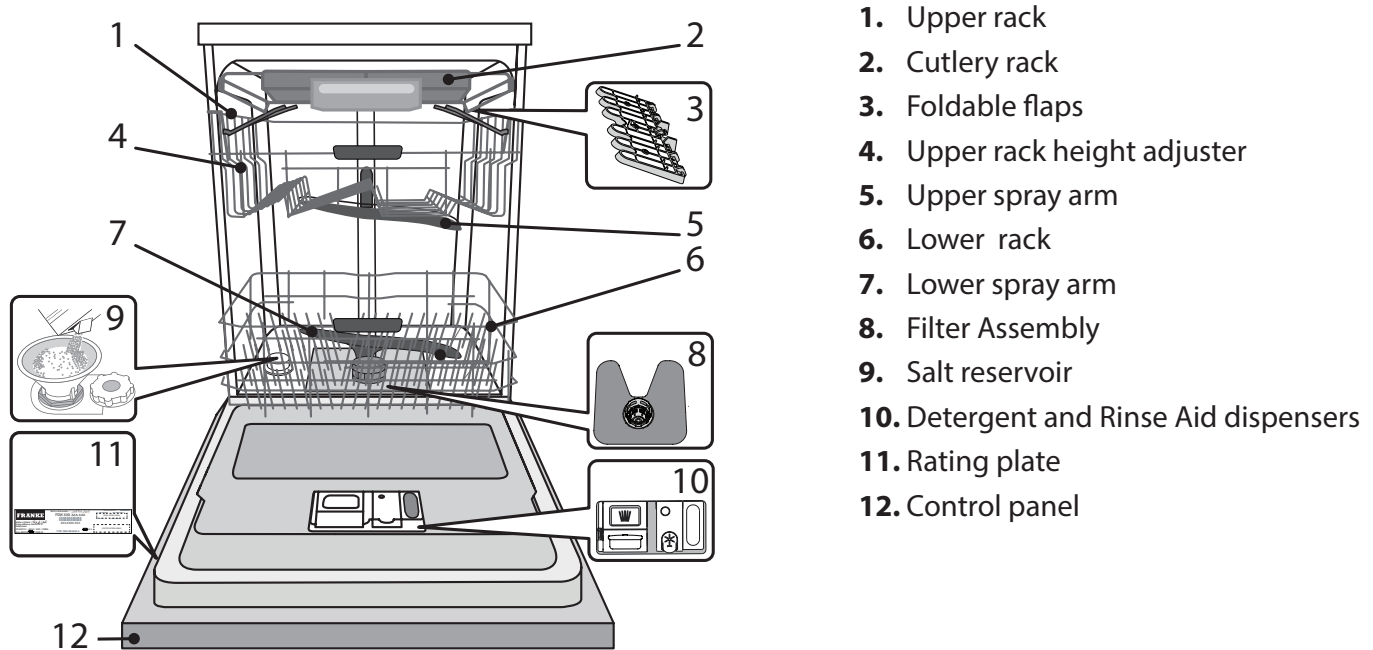
TABLE OF CONTENTS

OVERVIEW	4
FIRST TIME USE	5
PROGRAMS TABLE	6
OPTIONS AND FUNCTIONS	7
LOADING THE RACKS	8
DAILY USE	9
ADVICE AND TIPS	9
CARE AND MAINTENANCE	10
INSTALLATION	11
TROUBLESHOOTING	12
SUPPORT	13

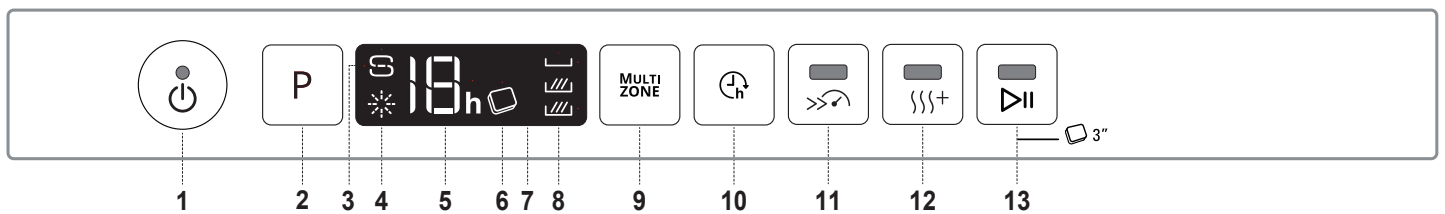
USER GUIDE

Before using the appliance carefully read Safety Instructions guide.

OVERVIEW



CONTROL PANEL



1. ON-OFF/Reset button with indicator light
2. Program selection button
3. Salt refill indicator light
4. Rinse Aid refill indicator light
5. Program number and delay time indicator
6. Tablet indicator light
7. Display
8. Multizone indicator lights
9. Multizone button
10. Delay button
11. Turbo button with indicator light
12. Extra Dry button with indicator light
13. START/Pause button with indicator light / Tab


FIRST TIME USE SALT, RINSE AID AND DETERGENT

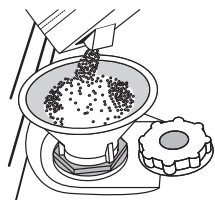
After installation, remove the stoppers from the racks and the retaining elastic elements from the upper rack.

FILLING THE SALT RESERVOIR

The use of salt prevents the formation of LIMESCALE on the dishes and on the machine's functional components.

- It is mandatory that **THE SALT RESERVOIR NEVER BE EMPTY**.
- It is important to set the water hardness.

The salt reservoir is located in the lower part of the dishwasher (see *PRODUCT DESCRIPTION*) and must be filled when the **SALT REFILL indicator light**  in the control panel is lit.



1. Remove the lower rack and unscrew the reservoir cap (anticlockwise).
2. **Only the first time you do this: fill the salt reservoir with water.**
3. Position the funnel (see figure) and fill the salt reservoir right up to its edge (approximately 1 kg); it is not unusual for a little water to leak out.
4. **Remove the funnel and wipe any salt residue away from the opening.**

Make sure the cap is screwed on tightly, so that no detergent can get into the container during the wash program (this could damage the water softener beyond repair).

Whenever you need to add salt, it is mandatory to complete the procedure before the beginning of the washing cycle to avoid corrosion.

SETTING THE WATER HARDNESS

To allow the water softener to work in a perfect way, it is essential that the water hardness setting is based on the actual water hardness in your house. This information can be obtained from your local water supplier.

The factory sets the default value for the water hardness

- Switch on the appliance by pressing the ON/OFF button.
- Switch off the appliance by pressing the ON/OFF button.
- Hold down button P for 5 seconds, until you hear a beep.
- Switch on the appliance by pressing the ON/OFF button.
- The current selection level number and the salt indicator light both flash
- Press button P to select the desired hardness level (see *WATER HARDNESS TABLE*).

Water Hardness Table			
Level	°dH German degrees	°fH French degrees	°Clark English degrees
1 Soft	0 - 6	0 - 10	0 - 7
2 Medium	7 - 11	11 - 20	8 - 14
3 Average	12 - 16	21 - 29	15 - 20
4 Hard	17 - 34	30 - 60	21 - 42
5 Very hard	35 - 50	61 - 90	43 - 62

- Switch off the appliance by pressing the ON/OFF button.

Setting is complete!

As soon as this procedure is complete, run a program without loading.

Only use salt that has been specifically designed for dishwashers.

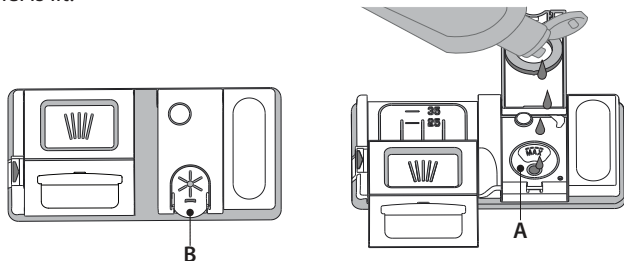
After the salt has been poured into the machine, the SALT REFILL indicator light switches off.

If the salt container is not filled, the water softener and the heating element may be damaged as a result of limescale accumulation.

Using of Salt is recommended with any type of dishwasher detergent.

FILLING THE RINSE AID DISPENSER

Rinse aid makes dish DRYING easier. The rinse aid dispenser **A** should be filled when the **RINSE AID REFILL**  indicator light in the control panel is lit.



1. Open the dispenser **B** by pressing and pulling up the tab on the lid.
2. Pour in the rinse aid (max.110 ml), making sure it does not overflow from the dispenser. If this happens, clean the spill immediately with a dry cloth.
3. Press the lid down until you hear a click to close it.

NEVER pour the rinse aid directly into the appliance tub.

ADJUSTING THE DOSAGE OF RINSE AID

If you are not completely satisfied with the drying results, you can adjust the quantity of rinse aid used.

- Switch the dishwasher on using the ON/OFF button.
- Switch it off using the ON/OFF button.
- Press button P three times - a beep will be heard.
- Switch it on using the ON/OFF button.
- The current selection level number and rinse aid indicator light flash.
- Press button P to select the level of rinse aid quantity to be supplied.
- Switch it off using the ON/OFF button

Setting is complete!

If the rinse aid level is set to ZERO (ECO), no rinse aid will be supplied.

The LOW RINSE AID indicator light will not be lit if you run out of rinse aid.

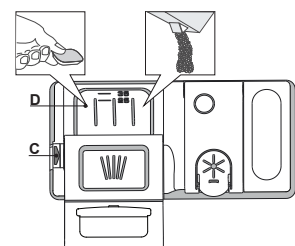
A maximum of 5 levels can be set according to the dishwasher model.

The factory setting is specific to the model, please follow instruction above to check this for your machine.

- If you see bluish streaks on the dishes, set a low number (1-2).
- If there are drops of water or limescale marks on the dishes, set a mid-range number (3-4).

FILLING THE DETERGENT DISPENSER

Usage of detergent not designed for dishwashers may cause malfunction or damage to the appliance.



To open the detergent dispenser use the opening device C. Introduce the detergent into the dry dispenser D only. Place the amount of detergent for pre-washing directly inside the tub.

1. When measuring out the detergent refer to the mentioned earlier information to add the proper quantity. Inside the dispenser **D** there are indications to help the detergent dosing.
2. Remove detergent residues from the edges of the dispenser and close the cover until it clicks.
3. Close the lid of the detergent dispenser by pulling it up until the closing device is secured in place.

The detergent dispenser automatically opens up at the right time according to the program.

If all-in-one detergents are used, we recommend using the **TABLET** button, because it adjusts the program so that the best washing and drying results are always achieved.

PROGRAMS TABLE

Program	Drying phase	CoolDry	Available options *)	Duration of wash program (h:min)**)	Water consumption (litres/cycle)	Energy consumption (kWh/cycle)	
1. Eco	50°	✓	✓		3:10	9.5	0.85
2. Auto	50-60°	✓	✓	MULTI ZONE	1:25 - 3:00	7.0 - 14.0	0.90 - 1.40
3. Intensive	65°	✓	✓	MULTI ZONE	2:50	17.0	1.60
4. Fast Wash&Dry	50°	✓	✓	MULTI ZONE	1:25	11.5	1.10
5. Crystals	45°	✓	✓	MULTI ZONE	1:40	12.0	1.20
6. Rapid 30'	45°	-	✓	MULTI ZONE	0:30	9.0	0.50
7. Silent	50°	✓	✓		3:30	16.0	1.15
8. Sanitizing	65°	✓	-		1:40	12.0	1.30
9. Prewash	-	-	-	MULTI ZONE	0:12	4.5	0.01
10. Self- Clean	65°	-	-		0:50	8.0	0.85

ECO program data is measured under laboratory conditions according to European Standard EN 60436:2020.

Pre-treatment of the dishes is not needed before any of the programs.

*) Not all options can be used simultaneously.

***) Values given for programs other than the program Eco are indicative only. The actual time may vary depending on many factors such as temperature and pressure of the incoming water, room temperature, amount of detergent, quantity and type of load, load balancing, additional selected options and sensor calibration. The sensor calibration can increase program duration up to 20 min.

PROGRAMS DESCRIPTION

Instructions on wash cycle selection.

1 ECO

Eco programme is suitable to clean normally soiled tableware, that for this use, it is the most efficient programme in terms of its combined energy and water consumption, and that it is used to assess compliance with the EU Ecodesign legislation.

2 AUTO

For normally soiled dishes with dried food residues. Senses the level of soiling on the dishes and adjusts the program accordingly.

3 INTENSIVE

Program recommended for heavily soiled crockery, especially suitable for pans and saucepans (not to be used for delicate items).

4 FAST WASH&DRY

Normally soiled crockery. Everyday cycle, that ensures optimal cleaning and drying performance in shorter time.

5 CRYSTALS

Program for delicate items, which are more sensitive to high temperatures, for example glasses and cups.

6 RAPID 30'

Program to be used for half load of lightly-soiled dishes with no dried food residues. Does not include drying phase.

7 SILENT

Suitable for night-time operation of the appliance. Ensures optimal cleaning and drying performance with the lowest noise emission.

8 SANITIZING

Normally or heavily soiled crockery, with additional antibacterial wash. Can be used to perform maintenance of the dishwasher.

9 PREWASH

Use to refresh crockery planned to be washed later. No detergent to be used with this program.

10 SELF-CLEAN

Program to be used to perform maintenance of the dishwasher, to be carried out only when the dishwasher is EMPTY using specific detergents designed for dishwasher maintenance

Notes:

Please note that cycle *Rapid 30'* is dedicated for lightly soiled dishes.

OPTIONS AND FUNCTIONS

OPTIONS can be selected directly by pressing the corresponding button (see CONTROL PANEL). If an option is not compatible with the selected program (see PROGRAMS TABLE), the corresponding LED flashes rapidly 3 times and beeps will sound. The option will not be enabled.

MULTI MULTIZONE ZONE

If there are not many dishes to be washed, a half loading may be used in order to save water, electricity and detergent.

Select the program and then press the MULTIZONE button: the symbol of the chosen rack will appear on the display.

By default the appliance washes dishes in all racks.

To wash only the specific rack, press this button repeatedly:



shown on the display (only lower rack)



shown on the display (only upper rack)



shown on the display (only cutlery rack)



shown on the display (option is OFF and the appliance will wash dishes in all racks).

Remember to load the upper or lower rack only, and to reduce the amount of detergent accordingly.

If upper rack is removed, please apply detergent directly to tub instead of detergent dispenser.



DELAY

The start time of the program may be delayed for a period of time between **1** and **12** hours.

1. Press the DELAY button: the corresponding «h» symbol appears on the display; each time you press the button, the time (1h, 2h, etc. up to max. 12h) from the start of the selected wash cycle will be increased.
2. Select the wash program, press the START/PAUSE button and within 4 seconds close the door: the timer will begin counting down.
3. Once this time has elapsed, the indicator light «h» switches off and the wash cycle begins.

To adjust the delay time and select a shorter period of time, press the DELAY button. To cancel it, press the button repeatedly until the selected delayed start indicator light «h» switches off.

The DELAY function cannot be set once a wash cycle has been started.



TURBO

This option can be used to reduce the duration of the main programs while maintaining the same washing and drying performance levels.

After selecting the program, press the TURBO button and the indicator light will switch on. To deselect the option, press the same button again.

EXTRA DRY

To improve the drying of the dishes, after selecting the program, press the EXTRA DRY button and the indicator light comes on.

A higher temperature during the final rinse and an extended drying phase allow for improving drying. To deselect the option, press the same button again. The EXTRA DRY option results in the lengthening of the wash cycle.



TABLET (Tab)

This setting allows you to optimize the performance of the program according to the type of detergent used.

Press the START/PAUSE button for 3 seconds (the corresponding symbol will light up) if you use combined detergents in tablet form (rinse aid, salt and detergent in 1 dose).

If you use powder or liquid detergent, this option should be off.



OPERATION INDICATOR

A LED light projected on the floor indicates that the dishwasher is working. One of the following operating modes can be selected:

- a) Disabled function.
- b) When the cycle starts the light goes on for few seconds, stays off during the cycle and flashes at the end of the cycle.
- c) The light stays on during the cycle and flashes at the end of the cycle (default mode).

If the delayed start was set, the light goes on either for the first few seconds or the entire duration of the countdown, based on whether mode b) or c) was set.

The light goes off every time the door is opened. To select the mode you prefer, switch on the machine, hold down button **P** until one of the three letters appears on the display, press button **P** until you reach the desired letter (or mode), hold down button **P** to confirm the selection.

Note: If CoolDry is active and it opens the door, then Operation Indicator will not flash at the end of cycle.

CoolDry

CoolDry is a convection drying system which automatically opens the door during/after drying phase to ensure exceptional drying performance every day. Door opens at the temperature that is safe to your kitchen furniture, thus door will not be opened when the option of TURBO is on.

As additional steam protection, special designed protection foil is added together with the dishwasher. To see how to mount protection foil please refer to (*INSTALLATION GUIDE*).

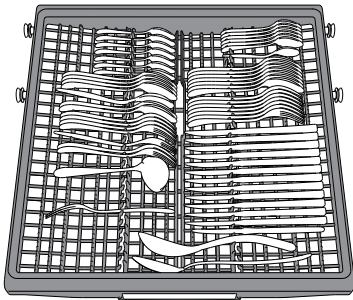
CoolDry functionality could be disabled by the user as follows:

1. Go to the Dishwasher software menu pressing and holding **P** button (6 sec).
2. You are currently in Light Control Menu (please refer to OPERATION INDICATOR description), if you don't want to change anything please press and hold **P** button (until one of the two letters appears on the display).
3. You switched to *CoolDry* Control Menu, you could change status of *CoolDry* functionality by pressing **P** button:
E – enabled **d** – disabled

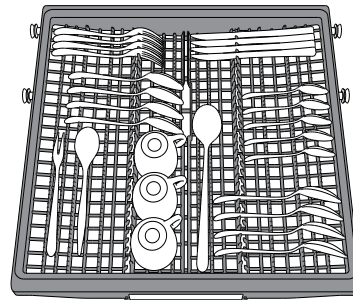
To confirm the change and exit from the Control Menu please press and hold **P** button (3 sec).

LOADING THE RACKS

CUTLERY RACK



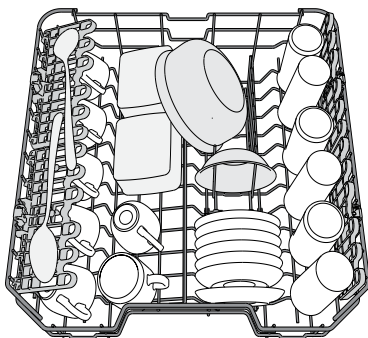
The third rack was designed to house the cutlery. Arrange the cutlery as shown in the figure. A separate arrangement of the cutlery makes collection easier after washing and improves washing and drying performance.



The geometry of the rack makes it possible to place such small items as coffee cups in the area in the middle.

Knives and other utensils with sharp edges must be positioned with the blades facing downwards.

UPPER RACK



(loading example for the upper rack)

Load delicate and light dishes: glasses, cups, saucers, low salad bowls.

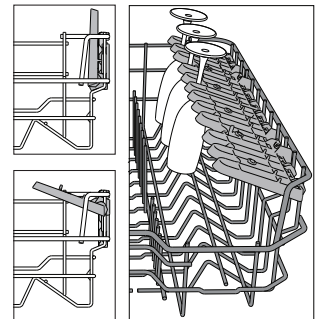
FOLDABLE FLAPS WITH ADJUSTABLE POSITION

The side foldable flaps can be fold or unfold to optimize the arrangement of crockery inside the rack.

Wine glasses can be placed safely in the foldable flaps by inserting the stem of each glass into the corresponding slots.

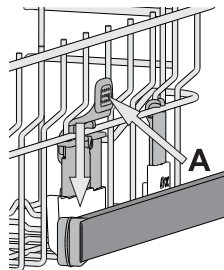
Depending on the model:

- to unfold the flaps there is needed to slide it up and rotate or release it from the snaps and pull it down.
- to fold the flaps there is needed to rotate it and slide flaps down or pull it up and attach flaps to the snaps.



ADJUSTING THE HEIGHT OF THE UPPER RACK

The height of the upper basket can be adjusted: high position to place bulky crockery in the lower basket and low position to make the most of the tip-up compartments by creating more space upwards. The upper rack is equipped with a **Upper Rack height adjuster** (see figure), without pressing the levers, lift it up by simply holding the rack sides, as soon as the rack is stable in its upper position. To restore to the lower position, press the levers (A) at the sides of the rack and move the basket downwards.

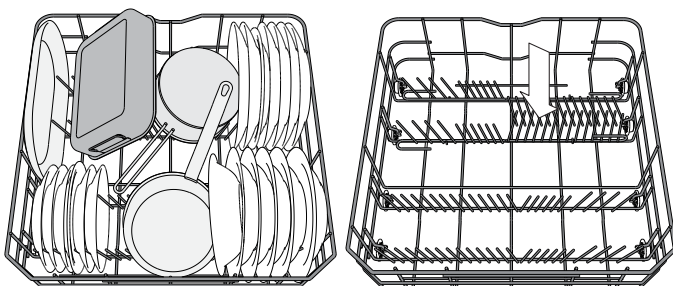


We strongly recommend that you do not adjust the height of the rack when it is loaded. NEVER raise or lower the basket on one side only.

LOWER RACK

For pots, lids, plates, salad bowls, cutlery etc... Large plates and lids should ideally be placed at the sides to avoid interferences with the spray arm.

The lower rack has tip-up supports which can be used in a vertical position when arranging plates or in a horizontal position (lower) to load pans and salad bowls easily.



(loading example for the lower rack)

DAILY USE

1. CHECK WATER CONNECTION

Check that the dishwasher is connected to the water supply and that the tap is open.

2. SWITCH ON THE DISHWASHER

Open the door and press the ON/OFF button.

3. LOAD THE RACKS (see *LOADING THE RACKS*)

4. FILLING THE DETERGENT DISPENSER

5. CHOOSE THE PROGRAM AND CUSTOMISE THE CYCLE

Select the most appropriate program in accordance with the type of crockery and its soiling level (see *PROGRAMS DESCRIPTION*) by pressing the P button.

Select the desired options (see *OPTIONS AND FUNCTIONS*).

6. START

Start the wash cycle by pressing START/Pause button (led is lit) and closing the door within 4 sec. When the program starts you hear a single beep. If the door was not closed within 4sec., the alarm sound will be played. In this case, open the door, press START/Pause button and close the door again within 4 sec.

7. END OF WASH CYCLE

The end of the wash cycle is indicated by beeps and by the flashing of the wash cycle indicator on the panel and the light on the floor (if activated). Open the door and switch off the appliance by pressing the ON/OFF button.

Wait for a few minutes before removing the crockery - to avoid burns. Unload the racks, beginning with the lower one.

The machine will switch off automatically during certain extended periods of inactivity, in order to minimise electricity consumption. If the crockery is only lightly soiled or if it has been rinsed with water before being placed in the dishwasher, reduce the amount of detergent used accordingly.

MODIFYING A RUNNING PROGRAM

If a wrong program was selected, it is possible to change it, provided that it has only just begun: open the door, press and hold the ON/OFF button, the machine will switch off.

Switch the machine back on using the ON/OFF button and select the new wash cycle and any desired options; Start the wash cycle by pressing START/Pause button and closing the door within 4 sec.

ADDING EXTRA CROCKERY

Without switching off the machine, open the door (START/Pause led starts blinking) (**be ware of HOT steam!**) and place the crockery inside the dishwasher. Press the **START/Pause** button and close the door within 4 sec., the cycle will resume from the point at which it was interrupted.

ACCIDENTAL INTERRUPTIONS

If the door is opened during the wash cycle, or if there is a power cut, the cycle stops. Press the START/Pause button and close the door within 4 sec., the cycle will resume from the point at which it was interrupted.

ADVICE AND TIPS

TIPS

Before loading the baskets, remove all food residues from the crockery and empty the glasses. **You do not need to rinse beforehand under running water.**

Arrange the crockery so that it is held in place firmly and does not tip over; and arrange the containers with the openings facing downwards and the concave/convex parts placed obliquely, thus allowing the water to reach every surface and flow freely.

Warning: lids, handles, trays and frying pans do not prevent the sprayer arms from rotating.

Place any small items in the cutlery basket.

Very soiled dishes and pans should be placed in the lower basket because in this sector the water sprays are stronger and allow a higher washing performance.

After loading the appliance, make sure that the sprayer arms can rotate freely.

TIPS ON ENERGY SAVING

- When the household dishwasher is used according to the manufacturer's instructions, **washing tableware in a dishwasher usually consumes less energy and water than hand dishwashing.**
- In order to maximize dishwasher efficiency it is recommended to **initiate the wash cycle once dishwasher is fully loaded.** Loading the household dishwasher up to the capacity indicated by the manufacturer will contribute to energy and water savings. Information on correct loading of tableware can be found in Loading chapter.
In case of partial loading it is recommended to use dedicated wash options if available (Half load/ Zone Wash, Multizone), filling up only selected racks. Incorrect loading or overloading the dishwasher may increase resources usage (such as water, energy and time, as well as increase noise level), reducing cleaning and drying performance.
- Manual pre-rinsing of tableware items leads to increased water and energy consumption and is not recommended.

HYGIENE

To avoid odour and sediment which can be accumulated in the dishwasher **please run a high temperature program at least one a month.** Use a tea spoon of detergent and run it without the loading to clean your appliance.

UNSUITABLE CROCKERY

Items which are not dishwasher-safe:

- Wooden dishes, pots or pans: these may be damaged by the high washing temperatures.
- Handcrafted items: these are rarely suitable for washing in a dishwasher. The relatively high water temperatures and the detergents used may damage them.
- Plastic dishes: these are not heat resistant and may lose their shape. Heat resistant plastic dishes must be washed in the upper basket.
- Dishes and objects in copper, tin, zinc or brass: these tend to stain.
- Aluminium dishes: items made from anodised aluminium may lose their colour.
- Silverware: silver items may stain.
- Glass and crystal: in general, glass and crystal objects can be washed in the dishwasher. However, certain types of glass and crystal may become dull and lose their clearness after many washings. Therefore, for these items we recommend using the least aggressive program available.
- Decorated items: the decorated objects available on the market are generally able to withstand washing in the dishwasher, although the colours may fade after a great many washes. If in doubt as to the fastness of the colours, it is advisable to wash just a few items at a time for approximately one month.

DAMAGE TO GLASS AND CROCKERY

- Only use glasses and porcelain guaranteed by the manufacturer as dishwasher safe.
- Use a delicate detergent suitable for crockery
- Collect glasses and cutlery from the dishwasher as soon as the wash cycle is over.

CLEANING AND MAINTENANCE

Always unplug the appliance when cleaning it and when performing maintenance work. Do not use flammable liquids to clean the machine.

CLEANING THE DISHWASHER

Any marks on the inside of the appliance may be removed using a cloth dampened with water and a little vinegar. The external surfaces of the machine and the control panel can be cleaned using a non-abrasive cloth which has been dampened with water. Do not use solvents or abrasive products.



PREVENTING UNPLEASANT ODOURS

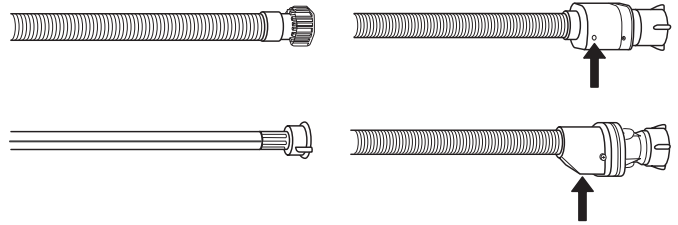
Always keep the door of the appliance ajar in order to avoid moisture from forming and being trapped inside the machine. Clean the seals around the door and detergent dispensers regularly using a damp sponge. This will avoid food becoming trapped in the seals, which is the main cause behind the formation of unpleasant odours.

CLEANING THE WATER INLET HOSE

If the water hoses are new or have not been used for an extended period of time, let the water run to make sure it is clear and free of impurities before performing the necessary connections. If this precaution is not taken, the water inlet could become blocked and damage the dishwasher.

CHEKING THE WATER SUPPLY HOSE

Check the inlet hose regularly for brittleness and cracks. If damaged, replace it by a new hose available through our After-Sales Service or your specialist dealer. Depending on the hose type:



If the inlet hose has a transparent coating, periodically check if the colour intensifies locally. If yes, the hose may have a leak and should be replaced.

For water stop hoses: check the small safety valve inspection window (see arrow). If it is red, the water stop function was triggered, and the hose must be replaced by a new one.

For unscrewing this hose, press the release button while unscrewing the hose.

CLEANING THE FILTER ASSEMBLY

Regularly clean the filter assembly so that the filters do not clog and that the waste water flows away correctly.

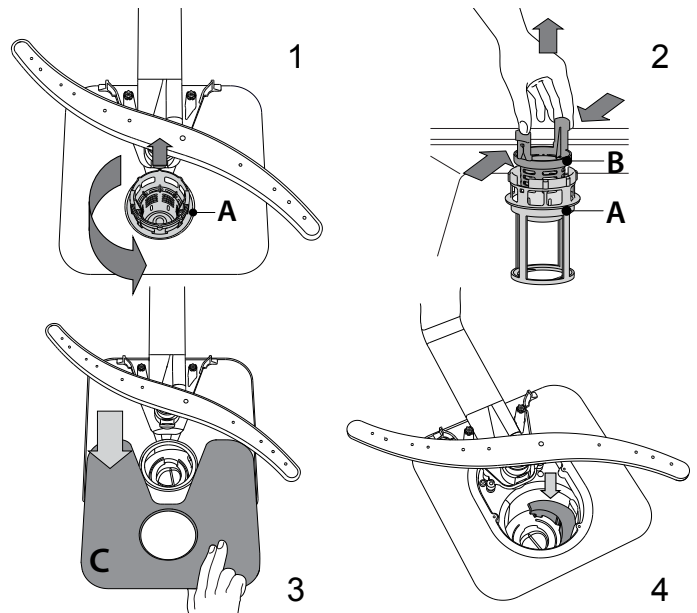
Using dishwasher with clogged filters or foreign objects inside filtration system or sprayarms may cause unit malfunction resulting in lose of performance, noisy work or higher resources usage.

The filter assembly consists of three filters which remove food residues from the washing water and then recirculate the water.

The dishwasher must not be used without filters or if the filter is loose.

At least once per month or after each 30 cycles, check the filter assembly and if necessary clean it thoroughly under running water, using a non-metallic brush and following the instructions below:

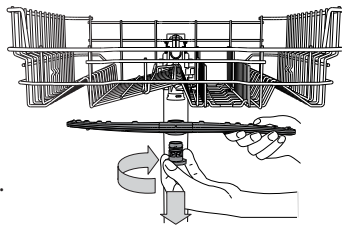
1. Turn the cylindrical filter **A** in an anti-clockwise direction and pull it out (Fig 1).
2. Remove the cup filter **B** by exerting a slight pressure on the side flaps (Fig 2).
3. Slide out the stainless-steel plate filter **C** (Fig 3).
4. In case you find foreign objects (such as broken glass, porcelain, bones, fruit seeds etc.) **please remove them carefully**.
5. Inspect the trap and remove any food residues. **NEVER REMOVE** the wash-cycle pump protection (black detail) (Fig 4).



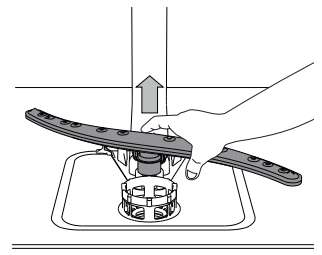
After cleaning the filters, replace the filter assembly and fix it in position correctly; this is essential for maintaining the efficient operation of the dishwasher.

CLEANING THE SPRAY ARMS

On occasions, food residue may become encrusted onto the spray arms and block the holes used to spray the water. It is therefore recommended that you check the arms from time to time and clean them with a small non-metallic brush. To remove the upper spray arm, turn the plastic locking ring in a clockwise direction. The upper spray arm should be replaced so that the side with the greater number of holes is facing upwards.



The lower spray arm may be removed by pulling it upwards.



WATER SOFTENING SYSTEM

Water softener automatically reduces water hardness, consequently preventing scale buildup on heater, contributing also to better cleaning efficiency.

This system regenerates itself with salt, therefore it is required to refill salt container when empty.

Frequency of regeneration depends on water hardness level setting - regeneration takes place once per **6** Eco cycles with water hardness level set to **3**.

Regeneration process starts in final rinse and finishes in drying phase, before cycle ends.

- Single regeneration consumes: ~3.5L of water;
- Takes up to 5 additional minutes for the cycle;
- Consumes below 0.005kWh of energy.

INSTALLATION

If the appliance must be moved at any time, keep it in an upright position; if absolutely necessary, it may be tilted onto its back.

CONNECTING THE WATER SUPPLY

Adaptation of the water supply for installation should only be performed by a qualified technician.

The water inlet and outlet hoses may be positioned towards the right or the left in order to achieve the best possible installation.

Make sure the dishwasher does not bend or squash the hoses.

CONNECTING THE WATER INLET HOSE

- Run the water until it is perfectly clear.
- Screw the inlet hose tightly into position and turn on the tap.

If the inlet hose is not long enough, contact a specialist store or an authorised technician.

The water pressure must be within the values indicated in the Technical Data table - otherwise the dishwasher may not function properly.

Make sure the hose is not bent or compressed.

SPECIFICATIONS FOR THE CONNECTION OF THE WATER SUPPLY HOSE:

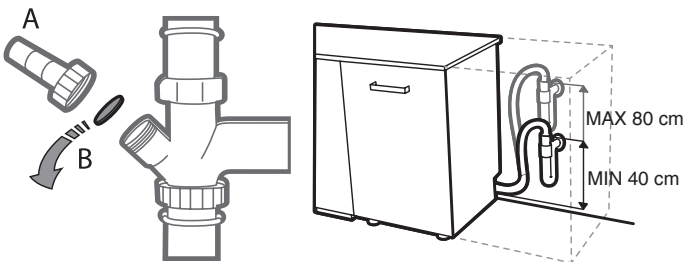
WATER SUPPLY	cold or hot (max. 60°C)
WATER INTAKE	3/4"
POWER OF WATER PRESSURE	0,05 ÷ 1 MPa (0.5 ÷ 10 bar) 7,25 – 145 psi

CONNECTING THE WATER OUTLET HOSE

Connect the outlet hose to a drain duct with a minimum diameter of 2 cm **A**.

The outlet hose connection must be at a height ranging from 40 to 80 cm from the floor or surface where the dishwasher rests.

Before connecting the water outlet hose to the sink drain, remove the plastic plug **B**.



ANTI-FLOODING PROTECTION

Anti-flooding protection. To ensure floods do not occur, the dishwasher: - is provided with a special system which blocks the water supply in the event of anomalies or leaks from inside the appliance.

Some models are also equipped with the supplementary safety device **New Aqua Stop**, which guarantees anti-flooding protection even in the event of a supply hose rupture.

Under no circumstances should the water inlet hose be cut as it contains live electrical parts.

ELECTRICAL CONNECTION

⚡ WARNING: Under no circumstances should the water inlet hose be cut as it contains live electrical parts.

Before inserting the plug into the electrical socket, make sure that:

- The socket is **earth** \perp and complies with current regulations;
- The socket can withstand the maximum load of the appliance as shown on the data plate located on the inside of the door (see *PRODUCT DESCRIPTION*).
- The power supply voltage falls within the values indicated on the data plate on the inside of the door.
- The socket is compatible with the plug of the appliance.

If this is not the case, ask an authorised technician to replace the plug (see *AFTER-SALES SERVICE*). Do not use extension cables or multiple sockets. Once the appliance has been installed, the power supply cable and the electrical socket should be easily accessible.

The cable should not be bent or compressed.

If the power supply cable is damaged, have it replaced by the manufacturer or its authorised Technical Assistance Service in order to prevent all potential hazards.

The Company shall not be held responsible for any incidents, if these regulations are not observed.

POSITIONING AND LEVELLING



1. Position the dishwasher on a level sturdy floor. If the floor is uneven, the front feet of the appliance may be adjusted until it reaches a horizontal position. If the appliance is levelled correctly, it will be more stable and much less likely to move or cause vibrations and noise while it is operating.
2. Before recessing the dishwasher, stick the adhesive transparent strip under the wooden shelf in order to protect it from any condensation which may form.
3. Place the dishwasher so that its sides or back panel are in contact with the adjacent cabinets or the wall. This appliance can also be recessed under a single worktop.
4. To adjust the height of the rear foot, turn the red hexagonal bushing on the lower central part at the front of the dishwasher using a hexagonal spanner with an opening of 8 mm. Turn the spanner in a clockwise direction to increase the height and in an anticlockwise direction to decrease it.

DIMENSIONS AND CAPACITY:

WIDTH	598 mm
HEIGHT	820 mm
DEPTH	555 mm
CAPACITY	14 standard place-settings

TROUBLESHOOTING

In case your dishwasher doesn't work properly, check if the problem can be solved by going through the following list. For other errors or issues please contact authorized After-sales Service which contact details can be found in the warranty booklet. The manufacturer ensures the availability of spare parts for at least 10 years after production date of this appliance.

PROBLEMS	POSSIBLE CAUSES	SOLUTIONS
 Salt indicator is lit	Salt reservoir is empty. (After refill the salt indicator may remain lit for several wash cycles).	Refill reservoir with salt (for more information - see page 5). Adjust water hardness - see table, page 5.
 Rinse aid indicator is lit	Rinse aid dispenser is empty. (After refill the rinse aid indicator may remain lit for several wash cycles).	Refill dispenser with rinse aid (for more information - see page 5).
The dishwasher won't start or does not respond to commands.	The appliance has not been plugged in properly.	Insert the plug into the socket.
	Power outage.	For safety reasons, dishwasher will not re-start automatically when power returns. Open dishwasher door, press START/Pause button and close the door within 4 seconds.
	The dishwasher door is not closed. CoolDry pin is not pulled in.	Vigorously push the door until you hear the "click".
	Cycle is interrupted by door opening for more than 4 seconds.	Press START/Pause and close the door within 4 seconds.
The dishwasher won't drain. Display shows: 3 and On/Off LED is blinking rapidly	It does not respond to commands. Display shows: 9 or 12 and On/Off LED is blinking rapidly	Switch off the appliance by pressing the ON/OFF button, switch it back on after approximately one minute and restart the program. If problem persists, unplug the appliance for 1 minute, then plug it back in.
	The wash cycle has not finished yet.	Wait until the wash cycle finishes.
	The drain hose is bent.	Check that the drain hose is not bent (see <i>INSTALLATION INSTRUCTION</i>).
	The sink drain pipe is blocked.	Clean the sink drain pipe.
The dishwasher makes excessive noise.	The filter is clogged up with food residues.	Clean the filter (see <i>CLEANING THE FILTER ASSEMBLY</i>).
	The dishes are rattling against each other. An excessive amount of foam has been produced.	Position the crockery correctly (see <i>LOADING THE RACKS</i>). The detergent has not been measured out correctly or it is not suitable for use in dishwashers (see <i>FILLING THE DETERGENT DISPENSER</i>). Restart the current cycle by switching OFF the dishwasher, then switch it on again, select a new program, press START/Pause and close the door within 4 seconds. Please do not add any detergent.
The dishes are not clean.	The crockery has not been arranged properly.	Arrange the crockery correctly (see <i>LOADING THE RACKS</i>).
	The spray arms cannot rotate freely, being hindered by the dishes.	Arrange the crockery correctly (see <i>LOADING THE RACKS</i>).
	The wash cycle is too gentle.	Select an appropriate wash cycle (see <i>PROGRAMS TABLE</i>).
	An excessive amount of foam has been produced.	The detergent has not been measured out correctly or it is not suitable for use in dishwashers (see <i>FILLING THE DETERGENT DISPENSER</i>).
	The cap on the rinse aid compartment has not been shut correctly.	Make sure the cap of the rinse aid dispenser is closed.
	The filter is soiled or clogged.	Clean the filter assembly (see <i>CARE AND MAINTENANCE</i>).
The dishwasher does not fill the water. Display shows: H , 6 and On/Off LED is blinking rapidly	There is no salt.	Fill the salt reservoir (see <i>FILLING THE SALT RESERVOIR</i>).
	No water in the water supply or the tap is closed.	Make sure there is water in the water supply or the tap running.
	The inlet hose is bent.	Make sure the inlet hose is not bent (see <i>INSTALLATION</i>) reprogram the dishwasher and reboot.
Dishwasher finishes the cycle prematurely. Display shows: 15 and On/Off LED is blinking rapidly	The sieve in the water inlet hose is clogged; it is necessary to clean it	After having carried out the verification and cleaning, turn off and turn on the dishwasher and restart a new program.
	Drain hose positioned too low or siphoning into home sewage system.	Check if end of drain hose is placed at correct height (see <i>INSTALLATION</i>). Check for siphoning into home sewage system, install air admittance valve if necessary.
	Air in water supply.	Check water supply for leaks or other issues letting air inside.

SUPPORT

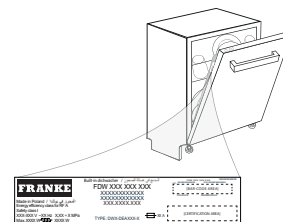
In the event of any operation problems, contact a Franke Technical Service Centre.

Never use the services of unauthorized technicians.

Specify:

- the type of fault
- the appliance model (art./Code)
- the serial number (S.N.) on the rating plate.

When you contact the After-Sales Service, you must provide the codes shown on the rating plate attached to the left or right side inside the door of the dishwasher.



The model information can be retrieved using the QR-Code reported in the energy label.

The label also includes the model identifier that can be used to consult the portal of the registry at <https://eprel.ec.europa.eu>



WWW.FRANKE.COM

© Franke Technology and Trademark Ltd, Switzerland

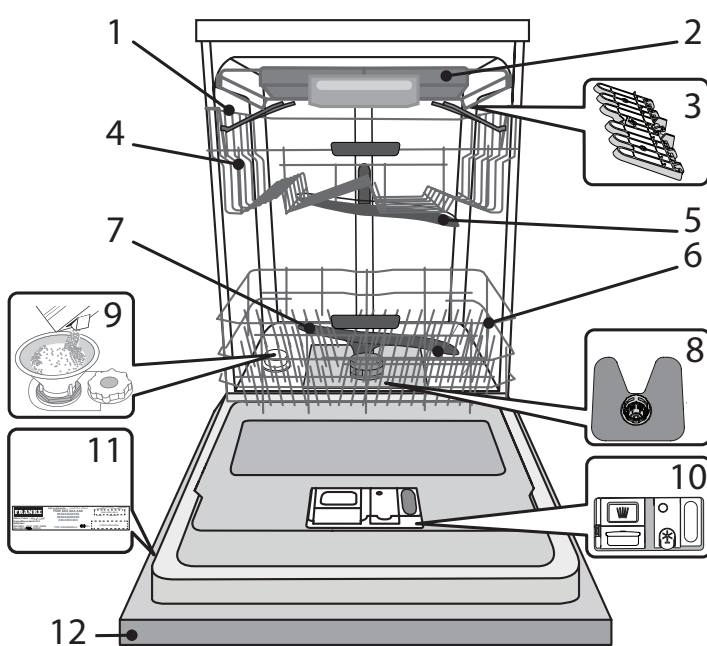
INHALTSVERZEICHNIS

ÜBERSICHT.....	15
ERSTERGEBRAUCH.....	16
PROGRAMMTABELLE.....	17
OPTIONENUNDFUNKTIONEN.....	18
KÖRBE BELADEN.....	19
TÄGLICHERGEBRAUCH.....	20
HINWEISEUNDTIPPS.....	20
REINIGUNG UNDWARTUNG.....	21
INSTALLATION.....	22
LÖSENVONPROBLEMEN.....	23
UNTERSTÜTZUNG.....	24

BENUTZERHANDBUCH

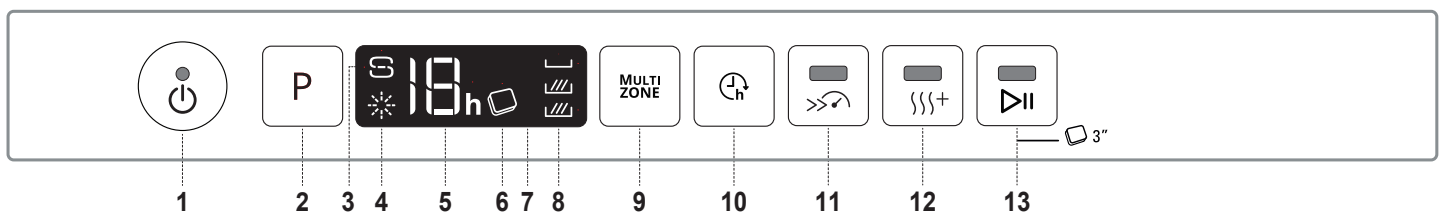
Lesen Sie vor Gebrauch des Geräts die Sicherheitshinweise aufmerksam durch.

ÜBERSICHT



1. Oberkorb
2. Besteckschublade
3. Faltbare Klappen
4. Oberkorb Höhenversteller
5. Oberer Sprüharm
6. Unterkorb
7. Unterer Sprüharm
8. Filtereinheit
9. Salzbehälter
10. Spülmittel und Klarspülerspender
11. Typenschild
12. Bedienfeld

BEDIENTAFEL



1. Ein-Aus/Reset Taste mit Anzeigelicht
2. Programmwahl-Taste
3. Anzeigelicht zum Salz auffüllen
4. Anzeigelicht zum Klarspüler auffüllen
5. Programmnummer und Verzögerungszeit-Anzeige
6. Tab Anzeigelicht
7. Anzeige
8. Multizone Anzeigelicht
9. Multizone-Taste
10. Startvorwahl-Taste
11. Turbo-Taste mit Anzeigelicht
12. Extra Dry-Taste mit Anzeigelicht
13. Start/Pause Taste mit Anzeigelicht / Tab

ERSTER GEBRAUCH SALZ, KLARSPÜLER UND SPÜLMITTEL

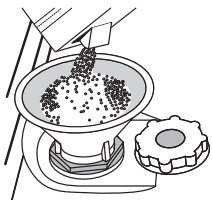
Nach Abschluss der Installation die Puffer an den Körben und die Rückhaltegummis vom oberen Korb entfernen.

SALZBEHÄLTER BEFÜLLEN

Mit der Verwendung von Salz werden KALKABLAGERUNGEN auf dem Geschirr und den funktionalen Komponenten des Geschirrspülers verhindert.

- **DER SALZBEHÄLTER DARF NIE LEER SEIN!**
- Es ist wichtig, die Wasserhärte einzustellen.

Der Salzbehälter befindet sich im Geschirrspülerboden (siehe ÜBERBLICK) und muss aufgefüllt werden, wenn die **SALZNACHFÜLLANZEIGE**  der Bedienblende leuchtet.



1. Ziehen Sie den Unterkorb heraus und schrauben Sie den Salzbehälterdeckel gegen den Uhrzeigersinn ab.
2. **Nur beim ersten Mal: Befüllen Sie den Salzbehälter mit Wasser.**
3. Setzen Sie den Trichter auf (siehe Abbildung) und füllen Sie den Behälter bis zum Rand mit Salz (ca. 1 kg), es ist normal, wenn etwas Wasser ausläuft.
4. **Den Trichter abnehmen und die Salzreste vom Öffnungsrand entfernen.**

Sicherstellen, dass der Deckel fest angeschraubt ist, so dass kein Spülmittel während dem Waschprogramm in den Behälter gelangt (dies könnte den Wasserenthärter irreparabel beschädigen).

Immer wenn Sie Salz zugeben müssen, ist es zwingend vorgeschrieben, diesen Vorgang vor dem Beginn des Spülgangs auszuführen, um Korrosion zu vermeiden.

WASSERHÄRTE EINSTELLEN

Damit der Wasserenthärter perfekt arbeiten kann, muss die Wasserhärte je nach der aktuellen Wasserhärte in Ihrem Haus eingestellt werden. Diese Information erhalten sie bei Ihrem örtlichen Wasserversorger.

Das Werk stellt den Standardwert für die Wasserhärte ein.

- Die Geschirrspülmaschine mit der Taste EIN/AUS einschalten.
- Mit der Taste EIN/AUS ausschalten.
- Die Taste P 5 Sekunden lang gedrückt halten, bis Sie einen Piepton hören.
- Mit der Taste EIN/AUS einschalten.
- Die Nummer der aktuell ausgewählten Stufe und die Salznachfüllanzeige blinken.
- Drücken Sie die Taste P um die gewünschte Härtestufe auszuwählen (siehe **WASSERHÄRTE-TABELLE**).

Wasserhärte-Tabelle			
Stufe	°dH Deut. Härtegr.	°fH Französischer Härtegr.	°Clark Engl. Härtegr.
1	Weich	0 - 6	0 - 10
2	Mittel	7 - 11	11 - 20
3	Durchschnittlich	12 - 16	21 - 29
4	Hart	17 - 34	30 - 60
5	Sehr hart	35 - 50	61 - 90

- Mit der Taste **EIN/AUS** ausschalten.

Die Einstellung ist abgeschlossen!


Sobald dieses Verfahren abgeschlossen ist, ein Programm ohne Beladung laufen lassen.

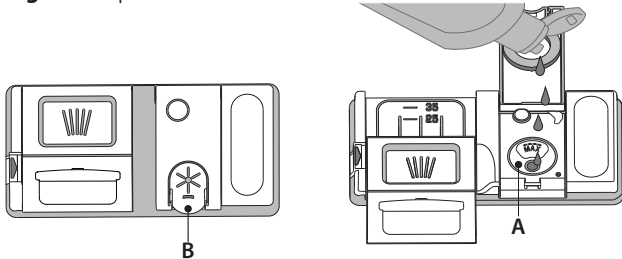
Verwenden Sie bitte nur Spezzialsalz für Geschirrspüler.

Nach dem Einfüllen des Salzes erlischt die SALZNACHFÜLLANZEIGE.

Wenn der Salzbehälter nicht gefüllt ist, könnten Kesselsteinablagerungen den Wasserenthärter und das Heizelement beschädigen. Die Verwendung von Salz wird bei jeder Art von Geschirrspülmittel empfohlen.

KLARSPÜLERSPENDER AUFFÜLLEN

Klarspüler macht das TROCKNEN von Geschirr einfacher. Der Klarspülerspender **A** muss aufgefüllt werden, wenn das **KLARSPÜLER AUFFÜLLEN Anzeigelicht**  auf der Bedienblende leuchtet.



1. Den Behälter **B** durch Drücken und Anheben der Zunge am Deckel öffnen.
2. Den Klarspüler vorsichtig bis zur maximalen Füllstandsmarkierung (110 ml) an der Füllöffnung einfüllen und ein Überlaufen vermeiden. Andernfalls sofort mit einem trockenen Tuch abwischen.
3. Den Deckel schließen bis er einrastet.

Füllen Sie den Klarspüler NIEMALS direkt ins Innere des Geschirrspülers.

KLARSPÜLERDOSIERUNG

Sollte das Trockenergebnis unzufrieden stellend sein, kann die Klarspülerdosierung neu eingestellt werden.

- Die Geschirrspülmaschine mit der Taste EIN/AUS einschalten.
- Mit der Taste EIN/AUS ausschalten.
- Drücken Sie die Taste P drei Mal - ein Piepton ertönt.
- Mit der Taste EIN/AUS einschalten.
- Die Nummer der aktuell ausgewählten Stufe und die Klarspüler nachfüllanzeige blinken.
- Drücken Sie die Taste P, um den Stand der gelieferten Klarspülermenge auszuwählen.

- Mit der Taste EIN/AUS ausschalten.

Die Einstellung ist abgeschlossen!

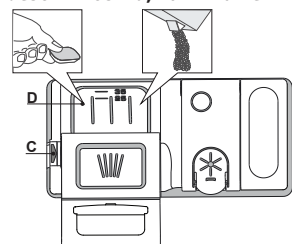
Die Klarspülerstufe kann auf NULL (ECO) eingestellt werden. In diesem Fall wird kein Klarspüler abgegeben. Die Kontrollleuchte zur ANZEIGE DES FEHLENDEN KLARSPÜLERS leuchtet nicht mehr auf.

Je nach Gerätemodell können bis max. 5 Stufen eingestellt werden. Die Werkseinstellung ist abhängig vom Modell. Bitte befolgen Sie die Anweisungen oben, um dies für Ihr Gerät zu überprüfen.

- Wenn Sie bläuliche Streifen auf dem Geschirr sehen, stellen Sie eine niedrigere Zahl ein (1-2).
- Wenn Wassertropfen oder Kalkablagerungen auf dem Geschirr sind, eine höhere Zahl einstellen (3-4)

EINFÜLLEN DES SPÜLMITTELS

Die Verwendung von Reinigungsmitteln, die nicht für Geschirrspüler bestimmt sind, kann zu Fehlfunktionen oder Schäden am Gerät führen.



Zum Öffnen des Spülmittelbehälters den Öffnungsmechanismus C drücken. Füllen Sie das Spülmittel ausschließlich in das trockene Fach D ein. Die für den Vorspülgang benötigte Spülmittelmenge wird direkt in den Geschirrspüler gegeben.

1. Hinsichtlich der Dosierung verweisen wir auf die zuvor erwähnte Information, in der die richtige Menge angegeben ist. Im Fach **D** sind Anzeigen die bei der Spülmitteldosierung helfen.
2. Entfernen Sie eventuelle Spülmittelrückstände von den Kanten der Kammern und schließen Sie den Deckel so, dass er einrastet.
3. Schieben Sie den Deckel der Spülmittelkammer zum Schließen nach oben, bis er einrastet.

Die Spülmittelkammer öffnet sich automatisch zum richtigen Zeitpunkt des jeweils gewählten Programms.

Werden Kombispülmittel verwendet, dann empfehlen wir, die Option **TAB** zu verwenden. Damit werden die Programme dem verwendeten Spülmittel angepasst, um das bestmögliche Spülergebnis zu erhalten.

PROGRAMMTABELLE

Programm	Trockenphase	CoolDry	Verfügbare Zusatzfunktionen *)	Programmdauer (Std:Min)**	Wasserverbrauch (Liter/ Zyklus)	Energieverbrauch (kWh/ Zyklus)	
1. Eco	ECO 50°	✓	✓		3:10	9,5	0,85
2. Auto	AUTO 50-60°	✓	✓	MULTI ZONE	1:25 - 3:00	7,0 - 14,0	0,90 - 1,40
3. Intensiv	65°	✓	✓	MULTI ZONE	2:50	17,0	1,60
4. Schnelles Spülen&Trocknen	50°	✓	✓	MULTI ZONE	1:25	11,5	1,10
5. Kristall	45°	✓	✓	MULTI ZONE	1:40	12,0	1,20
6. Rapid 30'	45°	-	✓	MULTI ZONE	0:30	9,0	0,50
7. Nachtspülen	50°	✓	✓		3:30	16,0	1,15
8. Desinfizieren	65°	✓	-		1:40	12,0	1,30
9. Vorwäsche		-	-	MULTI ZONE	0:12	4,5	0,01
10. Selbstreinigend	65°	-	-		0:50	8,0	0,85

Die ECO-Programmdaten sind Labormessdaten, die gemäß der europäischen Vorschrift EN 60436:2020 erfasst wurden.

Eine Vorbehandlung des Geschirrs ist vor keinem Programm erforderlich.

*) Nicht alle Optionen können gleichzeitig verwendet werden.

**) Werte, die für andere Programme als das ECO-Programm angegeben werden, sind nur Richtwerte. Die aktuelle Zeit kann auf Grundlage von mehreren Faktoren, wie Temperatur und Druck des eintretenden Wassers, Raumtemperatur, Spülmittelmenge, Menge und Art der Beladung, Lastausgleich, zusätzlich gewählte Optionen und Sensoreichung variieren. Die Sensoreichung kann die Programmdauer bis zu 20 Min. erhöhen

PROGRAMMBESCHREIBUNG

Anweisungen bezüglich der Auswahl des Waschzyklus.

1 ECO

Das ECO-Programm eignet sich, um normal verschmutztes Geschirr zu reinigen. In Bezug auf den kombinierten Energie- und Wasserverbrauch ist es das effizienteste Programm, das auch zur Prüfung der Einhaltung der Ökodesign-Richtlinie verwendet wird.

2 AUTO

Für normal verschmutztes Geschirr mit trockenen Speiseresten. Erfasst den Grad der Verschmutzung auf dem Geschirr und passt das Programm entsprechend an.

3 INTENSIV

Programm empfohlen für stark verschmutztes Geschirr, besonders Töpfe und Pfannen (nicht für empfindliche Teile verwenden).

4 SCHNELLES SPÜLEN&TROCKNEN

Normal verschmutztes Geschirr. Täglicher Zyklus, der optimale Reinigungs- und Trockenleistung in kürzester Zeit garantiert.

5 KRISTALL

Programm für empfindliches Geschirr, das empfindlicher auf hohe Temperaturen ist, zum Beispiel Gläser und Becher.

6 RAPID 30'

Programm für halbe Beladung von leicht verschmutztem Geschirr ohne getrocknete Speisereste. Hat keine Trocknungsphase.

7 NACHTSPÜLEN

Geeignet für den Nachtbetrieb des Gerätes. Garantiert optimale Reinigungs- und Trockenleistung bei niedrigstem Lärmpegel.

8 DESINFIZIEREN

Normal oder stark verschmutztes Geschirr mit zusätzlichem antibakteriellen Spülgang. Kann für die Wartung des Geschirrspülers verwendet werden.

9 VORWÄSCHE

Verwendet, um Geschirr einzuweichen, das später gespült werden soll. Für dieses Programm wird kein Spülmittel verwendet.

10 SELBSTREINIGEND

Programm, das für die Pflege des Geschirrspülers zu verwenden ist. Es ist nur bei LEEREM Geschirrspüler und mit speziellen Reinigungsmitteln für die Pflege des Geschirrspülers auszuführen.

Notes:

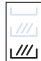
Bitte beachten Sie, dass das Programm Rapid 30' für leicht verschmutztes Geschirr geeignet ist.

OPTIONEN UND FUNKTIONEN


OPTIONEN kann direkt durch Drücken der entsprechenden Taste ausgewählt werden (siehe BEDIENBLENDE). Wenn eine Option nicht mit dem ausgewählten Programm kompatibel ist (siehe PROGRAMMTABELLE), blinken die entsprechenden LED 3 Mal schnell und ein Piepton ertönt. Die Option wird nicht aktiviert.

MULTI MULTIZONE ZONE

Haben Sie nur wenig Geschirr zu spülen, wählen Sie den Spülgang Halbe Füllung. Sie sparen Wasser, Strom und Spülmittel. Wählen Sie das Programm und drücken Sie dann die Taste MULTIZONE: das Symbol des gewählten Korbes erscheint auf dem Display. Standardmäßig wäscht das Gerät das Geschirr in allen Körben. Drücken Sie diese Taste wiederholt, um nur einen bestimmten Korb zu spülen:

 gezeigt auf dem Display (nur Unterkorb)

 gezeigt auf dem Display (nur Oberkorb)

 gezeigt auf dem Display (nur Besteckschublade)

 gezeigt auf dem Display (Option ist AUS und das Gerät wäscht Geschirr in allen Körben).

Denken Sie daran, nur den Ober- oder Unterkorb zu füllen, und die Menge an Spülmittel entsprechend zu reduzieren.

Wenn der oberen Korb herausgenommen wird, gießen Sie das Reinigungsmittel bitte direkt in die Wanne statt in den Waschmittelspender..

STARTVORWAHL

Die Programmstartzeit kann um eine Zeit von 1 bis 12 Stunden verzögert werden.

1. Drücken Sie die Taste STARTVERZÖGERUNG: Das entsprechende Symbol «h» erscheint auf dem Display; bei jedem Drücken der Taste, erhöht sich die Zeit (1 Std., 2 Std., usw. bis zu max. 12 Std.) ab dem Start des ausgewählten Spülprogramms.
2. Wählen Sie das Waschprogramm, drücken Sie die Taste START/Pause-Taste und schließen Sie die Tür innerhalb von 4 Sekunden: die Zeitschaltuhr beginnt mit der Rückzählung.
3. Nach Ablauf dieser Zeit, schaltet sich das Anzeigelicht «h» aus und das Programm beginnt automatisch.

Um die Startverzögerung anzupassen und eine kürzere Dauer auszuwählen, die Taste STARTVERZÖGERUNG drücken. Um abubrechen, die Taste wiederholt drücken, bis das ausgewählte Startverzögerung-Anzeigelicht «h» aus geht.

Das Spülprogramm startet automatisch sobald die Tür geschlossen wird. **Bei bereits in Gang gesetztem Programm ist eine Startzeitvorwahl nicht mehr möglich.**

TURBO

Diese Option kann verwendet werden um die Dauer der Hauptprogramme zu reduzieren, unter Beibehaltung derselben Spül- und Trockenleistungsgrade.

Nach der Auswahl des Programms, drücken Sie die TURBO-Taste und das Anzeigelicht leuchtet auf. Durch erneuten Druck auf die Taste wird die Option deaktiviert.

EXTRA DRY

Um die Trocknung des Geschirrs zu verbessern, nach der Programmauswahl die Taste EXTRA DRY drücken und das Anzeigelicht leuchtet auf.

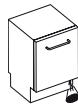
Eine höhere Temperatur während des letzten Spülgangs und ein längerer Trockengang verbessern die Trocknung des Geschirrs. Durch erneuten Druck auf die Taste wird die Option deaktiviert. Die Option EXTRA DRY verlängert die Programmdauer.

TAB

Diese Einstellung erlaubt, die Spülleistung des Programms je nach verwendetem Spülmitteltyp zu optimieren.

Drücken Sie die Start/Pause-Taste 3 Sekunden lang (das entsprechende Symbol leuchtet), wenn Sie kombinierte Spülmittel in Tablettenform verwenden (Klarspüler, Regeneriersalz und Spülmittel in 1 Dosierung).

Wenn Sie Pulver oder Flüssigspülmittel verwenden, muss diese Option ausgeschaltet sein.



BETRIEBSANZEIGE

Eine auf den Boden projizierte LED zeigt an, dass der Geschirrspüler in Betrieb ist. Eine der folgenden Betriebsarten kann ausgewählt werden:

- a) Deaktivierte Funktion
- b) Wenn das Programm startet schaltet sich das Licht für einige Sekunden an, bleibt während dem Programm ausgeschaltet und blinkt zu Programmende.
- c) Das Licht bleibt während dem Programm an und blinkt zu Programmende (Standardeinstellung).

Wenn der verzögerte Start ausgewählt wurde, schaltet sich das Licht entweder die ersten paar Sekunden an oder bleibt während der gesamten Dauer der Rückzählung an, je nachdem ob b) oder c) eingestellt wurde. Das Licht geht aus, sobald die Tür geöffnet wird. Um die bevorzugte Betriebsart auszuwählen, die Maschine einschalten, die Taste **P** gedrückt halten, bis einer der drei Buchstaben auf dem Display erscheint, die Taste **P** drücken, bis der gewünschte Buchstabe (oder Betriebsweise) erreicht ist, die Taste **P** gedrückt halten, um die Auswahl zu bestätigen.

Hinweis: Wenn CoolDry aktiv ist und die Tür öffnet, blinkt die Betriebsanzeige bei Ende des Spülgangs nicht.

CoolDry

CoolDry ist ein Heißlufttrocknungssystem, das die Tür während/nach der Trockenphase automatisch öffnet, um täglich hervorragende Trockenleistung sicherzustellen. Die Tür öffnet sich bei einer für Ihre Küchenmöbel sicheren Temperatur, daher wird die Tür nicht geöffnet, wenn die Option TURBO eingeschaltet ist.

Als zusätzlicher Dampfschutz wird dem Geschirrspüler eine speziell entwickelte Schutzfolie beigelegt. Für die Montage der Schutzfolie siehe (INSTALLATIONSANLEITUNG).

Die *CoolDry*-Funktion könnte wie folgt durch den Benutzer deaktiviert werden:

1. Rufen Sie das Geschirrspüler-Softwaremenü durch Drücken und Halten der Taste "P" auf (6 Sek.).
2. Sie befinden sich derzeit im Menü der Lichtsteuerung (siehe Beschreibung BETRIEBSANZEIGE). Wenn Sie nichts ändern möchten, drücken und halten Sie die Taste "P" (bis einer der beiden Buchstaben auf dem Display erscheint).
3. Sie haben auf das Menü *CoolDry*-Steuerung umgeschaltet. Sie können nun durch Drücken der Taste "P" den Status der *CoolDry*-Funktion ändern:

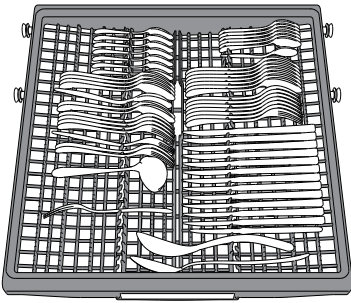
E – aktiv

d – nicht aktiv

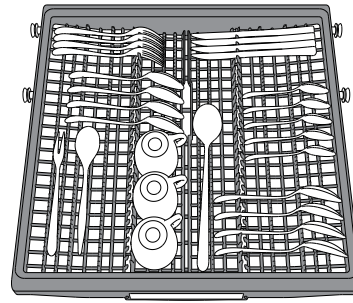
Zum Bestätigen der Änderung und Verlassen des Steuermenüs drücken und halten Sie die Taste "P" (3 Sek.).

KÖRBE BELADEN

BESTECKSCHUBLADE



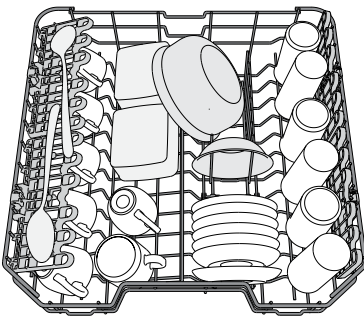
Die dritte Schublade wurde für das Hineinlegen von Besteck entwickelt. Platzieren Sie das Besteck wie abgebildet. Eine getrennte Anordnung des Bestecks macht das Sortieren nach dem Spülen einfacher und verbessert die Spül- und Trockenleistung.



Messer und andere Küchenutensilien mit scharfen Spitzen sind mit nach unten gerichteten Schneiden einzuordnen.

Die Geometrie des Korbes macht es möglich auch kleine Teile wie Kaffeetassen in den mittleren Bereich zu stellen.

OBERKORB



(Sortierbeispiel für den Oberkorb)

Hier sortieren Sie empfindliches und leichtes Geschirr ein: Gläser, Tassen, kleine Teller, flache Schüsseln.

Um den Korb zurück in die untere Stellung zu bringen, drücken Sie die Hebel **A** an den Seiten des Korbes und schieben Sie ihn nach unten.

Es empfiehlt sich, die Höhe des Oberkorbes bei leerem Korb zu regulieren. Heben oder senken Sie den Korb NIEMALS nur an einer Seite.

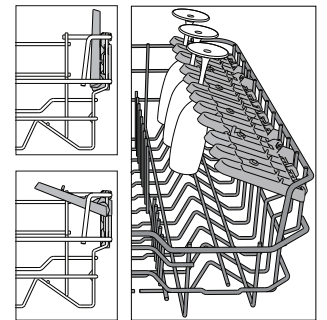
KLAPPBARE KLAPPEN MIT VERSTELLBARER POSITION

Die seitlich, klappbaren Ablagen können ein- oder aufgeklappt werden, um die Anordnung des Geschirrs im Korb zu optimieren.

Stielgläser können an den Ablagen stabilisiert werden, indem sie mit dem Stiel in die vorgesehene Aussparung gestellt werden.

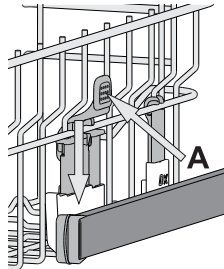
Je nach Modell:

- Zum Ausklappen der Ablagen, müssen diese nach oben geschoben und gedreht oder aus den Schnappern gelöst und nach unten gezogen werden.
- Zum Einklappen der Ablagen, müssen diese gedreht und nach unten geschoben oder nach oben gezogen und an den Schnappern befestigt werden.



HÖHENEINSTELLUNG DES OBERKORBES

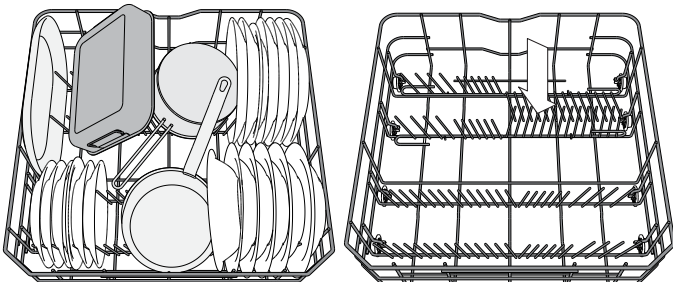
Der Oberkorb kann in der Höhe verstellt werden: stellen Sie ihn in die oberste Position, wenn Sie großes Geschirr in den Unterkorb einräumen wollen. Wenn Sie eher die klappbaren Bereiche nutzen wollen, dann stellen Sie ihn in die untere Position. Somit vermeiden Sie Zusammenstoßen mit dem Geschirr im Unterkorb. Der Oberkorb ist mit einem **Oberkorb Höhenversteller** (siehe Abbildung) ausgestattet. Ohne Drücken der Hebel kann er einfach durch Heben der Korbseiten angehoben werden, sobald der Korb stabil in seiner unteren Stellung ist.



UNTERKORB

Für Töpfe, Deckel, Teller, Salatschüsseln, Besteck usw. Große Teller und Deckel sollten idealerweise an die Seiten gelegt werden, um nicht mit dem Sprüharm in Kontakt zu kommen.

Der Unterkorb verfügt über klappbare Ablagen, die in vertikaler Stellung für Teller oder in horizontaler (niedriger) Position für Pfannen und Salatschüsseln verwendet werden können.



(Sortierbeispiel für den Unterkorb)

TÄGLICHER GEBRAUCH

1. ANSCHLUSS AN DIE WASSERLEITUNG PRÜFEN

Sicherstellen, dass der Geschirrspüler an die Wasserleitung angeschlossen und der Wasserhahn auf ist.

2. SCHALTEN SIE DEN GESCHIRRSPÜLER EIN

Tür öffnen und EIN-/AUS-Taste drücken.

3. KÖRBE BELADEN (siehe KÖRBE BELADEN)

4. EINFÜLLEN DES SPÜLMITTELS

5. PROGRAMM WÄHLEN UND DAS PROGRAMM ANPASSEN

Das am besten geeignete Programm je nach Besteckart und Verschmutzungsgrad auswählen (siehe PROGRAMMBESCHREIBUNG) durch Drücken der Taste P. Die gewünschten Optionen auswählen (siehe OPTIONEN UND FUNKTIONEN).

6. START

Starten Sie das Spülprogramm mit der Taste START/Pause (LED leuchtet) und schließen Sie die Tür innerhalb von 4 Sek. Bei Programmstart ertönt ein einzelner Piepton. Wenn die Tür nicht innerhalb von 4 Sek. geschlossen wurde, ertönt der akustische Alarm. Öffnen Sie in diesem Fall die Tür, drücken Sie die Taste START/Pause und schließen Sie die Tür erneut innerhalb von 4 Sekunden.

7. ENDE DES SPÜLPROGRAMMS

Das Ende des Spülgangs wird durch Signaltöne und durch Blinken angezeigt der Programmnummer auf dem Display und das Licht auf dem Boden (wenn aktiviert). Die Tür öffnen und das Gerät mit der EIN-/AUS-Taste ausschalten. Vor Entnahme des Bestecks einige Minuten warten - um Verbrennungen zu vermeiden. Die Körbe entladen, mit dem Unteren beginnen.

Die Maschine schaltet sich automatisch während bestimmter überschnittener Zeiten der Inaktivität aus, um den Stromverbrauch zu reduzieren. Für nur leicht verschmutztes Geschirr, oder für Geschirr, das vorher unter laufendem Wasser abgespült wurde, kann die Spülmittelmenge erheblich reduziert werden.

EIN LAUFENDES PROGRAMM ÄNDERN

Wenn ein falsches Programm ausgewählt wurde, kann es geändert werden, wenn es gerade erst gestartet wurde: die Tür öffnen, die EIN-/AUS-Taste drücken und gedrückt halten, um die Maschine auszuschalten.

Die Maschine mit der EIN-/AUS-Taste wieder einschalten und das neue Spülprogramm und die gewünschten Optionen auswählen; das Spülprogramm durch Drücken der Taste START/Pause starten und innerhalb von 4 Sek. die Tür schließen.

HINZUFÜGEN VON WEITEREM GESCHIRR

Ohne die Maschine auszuschalten, die Tür öffnen (START/Pause LED beginnt zu blinken) (**Vorsicht HEISSER Dampf!**) und das Geschirr in den Geschirrspüler geben. Die Taste START/Pause drücken und innerhalb von 4 Sek. die Tür schließen; das Programm läuft automatisch weiter, wo es unterbrochen wurde.

UNBEABSICHTIGTES UNTERBRECHEN DES SPÜLPROGRAMMS

Wird während des Spülgangs die Gerätetür geöffnet, oder sollte ein Stromausfall stattfinden, wird der Spülgang unterbrochen. Damit das Programm wieder an dem Punkt startet, an dem es unterbrochen wurde, die Taste START/Pause drücken und innerhalb von 4 Sek. die Tür schließen.

HINWEISE UND TIPPS

EMPFEHLUNGEN

Bevor Sie das Geschirr in den Geschirrspüler einräumen, befreien Sie es von Speiserückständen und entleeren Sie Gläser und Behälter von Flüssigkeitsresten. **Es ist nicht notwendig, das Geschirr unter fließendem Wasser vorzuspülen.**

Stellen Sie das Geschirr so ein, dass es fest steht und nicht umfallen kann. Behälter müssen mit der Öffnung nach unten eingestellt werden und hohle oder gewölbte Teile müssen schräg stehen, damit das Wasser alle Oberflächen erreicht und dann abfließen kann.

Achtung : Achten Sie darauf, dass Deckel, Griffe, Töpfe und Tablett die Drehung der Sprüharme nicht behindern. Stellen Sie kleine Gegenstände in den Besteckkorb. Stark verschmutztes Geschirr und Töpfe sollten in dem Unterkorb untergebracht werden, da in diesem Bereich die Wasserstrahlen stärker sind und eine höhere Spüleistung garantieren. Stellen Sie nach Einräumen des Geschirrs sicher, dass sich die Sprüharme frei bewegen können.

ENERGIESPARTIPPS

- Sofern man die Herstelleranweisungen beim Einsatz beachtet, **verbraucht das Waschen von Geschirr im Geschirrspüler in der Regel WENIGER ENERGIE und Wasser als Handspülen.**
- Um die Effizienz des Geschirrspülers zu maximieren, empfiehlt es sich, **das Spülprogramm bei voll beladenem Gerät zu starten.** Wenn der Geschirrspüler bis zur vom Hersteller angegebenen Kapazität beladen wird, hilft dies, Energie und Wasser zu sparen. Angaben über die korrekte Beladung von Geschirr finden Sie im Kapitel BELADEN DER KÖRBE. Bei Teilbeladung empfiehlt es sich, die speziellen Spülprogramme (Halbe Beladung / Zone Wash / Multizone) zu verwenden und nur die entsprechenden Körbe zu beladen. Bei einer fehlerhaften Beladung oder Überladung des Geschirrspülers könnten mehr Ressourcen verbraucht (z. B. Wasser, Energie und Zeit), der Geräuschpegel erhöht und die Reinigungs- und Trocknungsleistung verringert werden.
- Das manuelle Vorspülen von Geschirr führt zu erhöhtem Wasser- und Energieverbrauch und wird nicht empfohlen.

HYGIENE

Um Gerüche und Ablagerung, die sich in dem Geschirrspüler ansetzen können zu vermeiden, **bitte mindestens einmal monatlich ein Hochtemperaturprogramm laufen lassen.** Einen Teelöffel Spülmittel verwenden und ohne Geschirr laufen lassen, um Ihr Gerät zu reinigen.

UNGEEIGNETES GESCHIRR

Nicht spülmaschinenfest:

- Holzschalen, Töpfe oder Pfannen: Diese können durch die hohen Waschttemperaturen beschädigt werden.
- Handgefertigte Gegenstände: Diese sind nur sehr selten zum Spülen geeignet. Die relativ hohen Wassertemperaturen und die verwendeten Waschmittel können sie beschädigen.
- Kunststoffschalen: Diese sind nicht hitzebeständig und können ihre Form verlieren. Hitzebeständige Kunststoffschalen müssen im Oberkorb gewaschen werden.
- Geschirr und Gegenstände aus Kupfer, Zinn, Zink oder Messing: diese neigen dazu, zu färben.
- Aluminiumschalen: Gegenstände aus eloxiertem Aluminium können ihre Farbe verlieren.
- Silberwaren: Silbergegenstände können fleckig sein.
- Glas und Kristall: Im Allgemeinen können Glas und Kristallobjekte in der Spülmaschine gewaschen werden. Allerdings können bestimmte Arten von Glas und Kristall stumpf und verlieren ihre Klarheit nach vielen Waschungen. Daher empfehlen wir Ihnen, das am wenigsten aggressive Programm zu verwenden.
- Dekorierete Gegenstände: Die auf dem Markt erhältlichen dekorierten Gegenstände sind in der Regel in der Lage, dem Waschen in der Spülmaschine zu widerstehen, obwohl die Farben nach vielen Wäschen verblassen können. Bei Zweifeln an der Echtheit der Farben ist es ratsam, nur ein paar Gegenstände zu einem Zeitpunkt für etwa einen Monat zu waschen.

SCHÄDEN AN GLAS UND GESCHIRR

- Spülen Sie nur Gläser und Geschirr in Ihrem Geschirrspüler, die vom Hersteller als spülmaschinenfest ausgezeichnet sind.
- Verwenden Sie ein Feinspülmittel für Geschirr.
- Nehmen Sie Gläser und Besteck so bald wie möglich nach Ablauf des Programms aus der Spülmaschine.

REINIGUNG UND WARTUNG

Ziehen Sie den Netzstecker aus der Steckdose, bevor Sie Ihren Geschirrspüler reinigen oder Wartungsmaßnahmen getroffen werden.
Keine brennbaren Flüssigkeiten zur Reinigung der Maschine verwenden.

REINIGUNG DES GESCHIRRSPÜLERS

Zur Beseitigung von evtl. Flecken im Innenraum des Gerätes verwenden Sie ein feuchtes Tuch, auf das Sie etwas weißes Essig träufeln.

Die Gehäuseteile und die Bedienblende können mit einem mit Wasser angefeuchteten, weichen Tuch gereinigt werden. Vermeiden Sie Löse- und Scheuermittel.



VERMEIDUNG VON GERUCHSBILDUNG

Lassen Sie die Gerätetür stets nur angelehnt; auf diese Weise kann sich keine Feuchtigkeit ansammeln.

Die Dichtungen der Tür und der Spülmittelfächer sollten regelmäßig mit einem feuchten Tuch gereinigt werden. Sie vermeiden so die Ansammlung von Speiseresten, der hauptsächlichen Ursache von Geruchsbildung im Geschirrspüler.

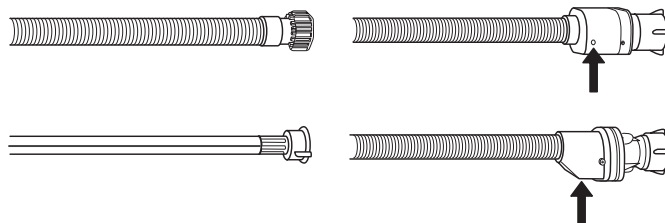
WASSERZULAUFSCHLAUCH REINIGEN

Wenn der Wasserschlauch neu ist oder für längere Zeit nicht in Betrieb war, das Warmwasser laufen lassen, um sicherzustellen, dass es klar und frei von Verschmutzungen ist, bevor die erforderlichen Anschlüsse vorgenommen werden. Bei Nichtbeachtung dieser Vorsichtsmaßnahme, kann die Wasserzufuhr blockieren und den Geschirrspüler beschädigen.

ÜBERPRÜFUNG DES WASSERZULAUFSCHLAUCHS

Den Zulaufschlauch regelmäßig auf Sprödigkeit und Risse prüfen.

Bei Beschädigung, den Schlauch mit einem neuen ersetzen. Dieser ist bei unserem Kundendienst oder Ihrem Händler verfügbar. Je nach Schlauchart:



Wenn der Zulaufschlauch eine transparente Beschichtung hat, regelmäßig prüfen, ob die Farbe sich örtlich verstärkt. Wenn ja, könnte der Schlauch eine undichte Stelle haben und muss ausgetauscht werden. Für Wasserstoppschläuche: Das kleine Sicherheitsventil-Kontrollfenster prüfen (siehe Pfeil). Wenn es rot ist, wurde die Wasserstoppfunktion ausgelöst und der Schlauch muss durch einen neuen ersetzt werden.

Um diesen Schlauch abzuschrauben, die Entriegelungstaste drücken und dabei den Schlauch abschrauben.

REINIGUNG DER FILTEREINHEIT

Die Filtereinheit regelmäßig reinigen, damit die Filter nicht verstopfen und das Abwasser korrekt abfließen kann.

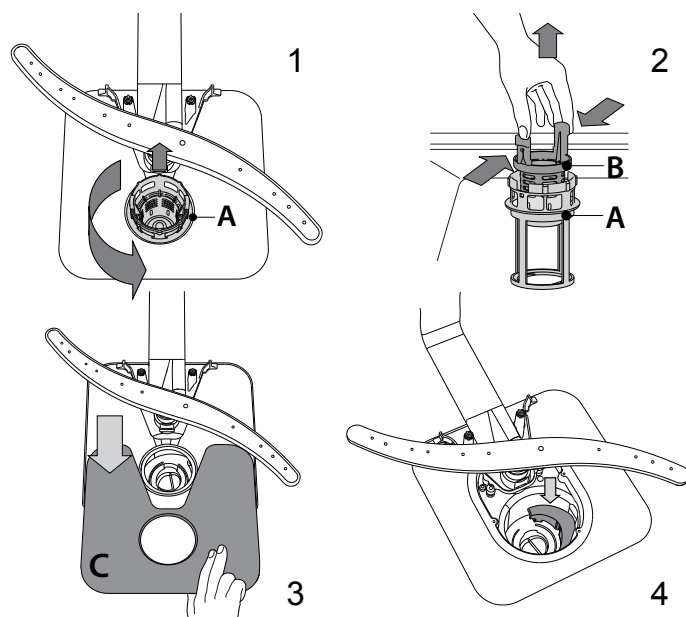
Wenn die Filter beim Einsatz des Geschirrspülers verstopft sind oder falls Fremdkörper im Filtersystem oder in den Spülarmen gelangen, könnten Störungen im Gerät auftreten, was zu Leistungseinbußen, lautem Betrieb oder höherer Ressourcennutzung führt.

Die Filtereinheit setzt sich aus drei Filtern zusammen, die Spülwasser reinigen, von Speiseresten befreien und wieder in Umlauf bringen.

Der Geschirrspüler darf nie ohne Filtersiebe oder mit ausgehängten Filtern in Betrieb genommen werden.

Kontrollieren Sie einmal monatlich oder nach 30 Zyklen die Filtersiebgruppe. Bei Bedarf ist diese sorgfältig unter laufendem Wasser auszuspülen. Nehmen Sie hierzu ein kleines Bürstchen (das nicht aus Metall sein darf) zu Hilfe. Gehen Sie wie folgt vor:

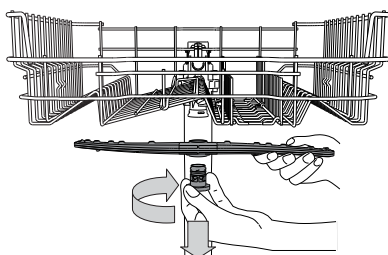
1. Drehen Sie das zylinderförmige Filtersieb **A** gegen den Uhrzeigersinn heraus (Abb. 1).
2. Ziehen Sie den Siebbecher **B** durch leichten Druck auf die seitlichen Flügel heraus (Abb. 2).
3. Nehmen Sie den Stahl-Siebteiler **C** ab (Abb. 3).
4. Falls Sie Fremdkörper (wie Glasscherben, Porzellan, Knochen, Fruchtsamen usw.) finden, **entfernen Sie diese bitte sorgfältig**.
5. Kontrollieren Sie den Hohlraum und befreien Sie diesen von eventuellen Speiseresten. Das Spülpumpenschutzteil (schwarzes Teil) **NICHT ABGENOMMEN WERDEN** (Abb. 4).



Setzen Sie die Filtereinheit nach der Reinigung der Filtersiebe wieder korrekt in ihren Sitz ein, dies ist äußerst wichtig, um eine ordnungsgemäße Betriebsweise des Geschirrspülers zu gewährleisten.

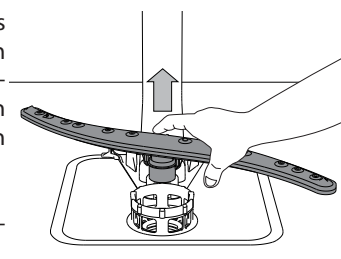
REINIGUNG DER SPRÜHARME

Es kann vorkommen, dass Speisereste an den Sprüharmen hängen bleiben und die Wasserdüsen verstopfen. Prüfen Sie die Sprüharme daher regelmäßig und reinigen Sie sie bei Bedarf mit einer Kunststoffbürste.



Zur Abnahme des oberen Sprüharms drehen Sie den Kunststoffring im Uhrzeigersinn ab. Der obere Sprüharm ist mit jener Seite nach oben wieder einzusetzen, die die meisten Löcher aufweist.

Um den unteren Sprüharm abzunehmen, ihn nach oben ziehen.



WASSERENTHÄRTUNG

Der Wasserenthärter reduziert automatisch die Wasserhärte, verhindert Kesselsteinablagerungen am Heizelement und trägt somit zu einer höheren Reinigungsleistung bei.

Dieses System regeneriert sich mit Salz, daher ist es erforderlich, Salz in den Behälter zu füllen, wenn dieser leer ist.

Die Regenerierungshäufigkeit hängt von eingestellten Stufe für die Wasserhärte ab - die Regenerierung findet einmal alle 6 Eco-Zyklen bei Wasserhärte auf 3 statt.

INSTALLATION

Im Falle eines Umzugs sollte das Gerät möglichst in vertikaler Position transportiert werden; falls erforderlich, neigen Sie das Gerät zur Rückseite hin.

WASSERANSCHLÜSSE

Die Anpassung der Elektro- und Wasseranlagen zur Installation des Gerätes darf nur durch Fachpersonal erfolgen.

Der Wasserzulaufschlauch und der Wasserablaufschlauch können sowohl nach rechts als auch nach links ausgerichtet werden, wodurch eine optimale Installation gewährleistet wird.

Die Schläuche dürfen nicht geknickt oder von der Spülmaschine gequetscht werden.

ANSCHLUSS DES ZULAUFSCHLAUCHS

- Das Wasser laufen lassen, bis es klar ist.
- Den Zulaufschlauch fest anschließen und den Wasserhahn öffnen. Sollte der Zulaufschlauch nicht lang genug sein, dann wenden Sie sich bitte an einen Fachhändler oder an einen autorisierten Techniker. Der Wasserleitungsdruck muss innerhalb der in der Tabelle der technischen Daten angegebenen Werte liegen, da sonst der Geschirrspüler möglicherweise nicht richtig funktioniert.

Der Schlauch darf nicht eingeklemmt oder abgeknickt werden.

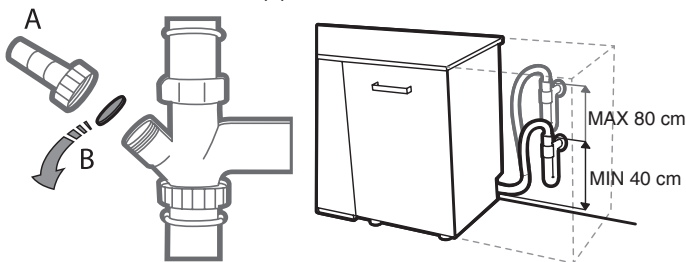
SPEZIFIKATIONEN FÜR DEN ANSCHLUSS DES WASSERZULAUFSCHLAUCHS:

WASSERZULAUF	kalt oder warm (max. 60°C)
WASSEREINLAUF	3/4"
LEISTUNG DES WASSERDRUCKS	0,05 ÷ 1 MPa (0,5 ÷ 10 bar) 7,25 – 145 psi

ANSCHLUSS DES ABLAUFSCHLAUCHS

Schließen Sie den Ablaufschlauch an eine Ablaufleitung mit Mindestdurchmesser von 2 cm **A** an.

Der Anschluss des Ablaufschlauchs muss sich in einer Höhe von 40 bis 80 cm vom Boden oder von der Standfläche der Spülmaschine befinden. Vor dem Anschließen des Ablaufschlauchs an den Siphon des Spülbeckens den Plastikdeckel (**B**) abnehmen **B**.



SCHUTZ VOR ÜBERSCHWEMMUNGEN

Schutz vor Überschwemmungen. Um Überschwemmungen auszuschließen, wurde der Geschirrspüler:

- mit einem System versehen, dank dessen der Wasserzulauf bei Anomalien oder internem Wasserverlust unterbrochen wird.

Einige Modelle sind auch mit einem zusätzlichen **New Aqua Stop-Sicherheitssystem** ausgestattet, das auch bei Schlauchdefekten vor Überschwemmung schützt.

Der Versorgungsschlauch darf auf keinen Fall abgeschnitten werden: er enthält nämlich Strom führende Teile.

Der Regenerationsprozess beginnt in der Endspülung und endet in der Trocknungsphase, bevor der Zyklus endet.

- Eine einzelne Regeneration verbraucht: ~3,5 l Wasser;
- Das Programm dauert bis zu 5 Minuten länger;
- Energieverbrauch unter 0,005 kWh.

ELEKTRISCHER ANSCHLUSS

⚡ WARNUNG: Der Versorgungsschlauch darf auf keinen Fall abgeschnitten werden: er enthält nämlich Strom führende Teile.

Vor Einfügen des Netzsteckers in die Steckdose ist sicherzustellen, dass:

- die Netzsteckdose **geerdet ist** \perp und den gesetzlichen Bestimmungen entspricht;
- die Netzsteckdose die auf dem Typenschild (befindlich auf der Innentür) angegebene max. Leistungsaufnahme des Gerätes trägt (siehe **ÜBERBLICK**).
- die Versorgungsspannung den auf dem Typenschild (auf der Innentür) vermerkten Werten entspricht;
- die Steckdose mit dem Netzstecker kompatibel ist.

Andernfalls muss der Netzstecker von einem autorisierten Techniker ausgetauscht werden (siehe **KUNDENDIENST**). verwenden Sie bitte keine Verlängerungen oder Vielfachstecker. Der Netzstecker, das Netzkabel und die Steckdose sollten bei installiertem Gerät leicht zugänglich sein. Das Netzkabel darf nicht gebogen oder eingeklemmt werden. Sollte das Speisekabel beschädigt sein, muss es vom Hersteller oder seiner technischen Kundendienststelle ausgetauscht werden, um Unfallrisiken vorzubeugen.

Der Hersteller übernimmt keinerlei Haftung, sollten diese Vorschriften nicht genau beachtet werden.

POSITIONIERUNG UND NIVELLIERUNG


1. Stellen Sie den Geschirrspüler auf einem ebenen und festen Boden auf. Gleichen Sie eventuelle Unregelmäßigkeiten durch Anziehen oder Losschrauben der vorderen Stellfüße aus, bis das Gerät eben ausgerichtet ist. Mit einer präzisen Nivellierung verleiht Stabilität und vermeidet Vibrationen und Betriebsgeräusche..
2. Bringen Sie vor dem Einbau des Geschirrspülers den transparenten Klebestreifen unter der Arbeitsplatte an, um sie vor eventuellem Kondenswasser zu schützen.
3. Stellen Sie das Gerät so auf, dass es mit den Seitenteilen oder mit der Rückwand an den anliegenden Möbeln oder an der Wand anlehnt. Das Gerät kann auch unter einer durchlaufenden Arbeitsplatte eingebaut werden.
4. Regulieren Sie den hinteren Stellfuß durch Einwirken mittels eines 8 mm-Sechskantschlüssels auf die rote Sechskantbuchse (befindlich unter der Frontseitenmitte des Geschirrspülers). Durch Drehen nach rechts wird die Höhe erhöht, durch Drehen nach links wird sie herabgesetzt.

ABMESSUNGEN UND FASSUNGSVERMÖGEN:

BREITE	598 mm
HÖHE	820 mm
TIEFE	555 mm
FASSUNGSVERMÖGEN	14 Maßgedecke

LÖSEN VON PROBLEMEN

Falls Ihr Geschirrspüler nicht richtig funktioniert, versuchen Sie, das Problem anhand der folgenden Liste zu beheben. Für andere Fehler oder Probleme wenden Sie sich bitte an den autorisierten Kundendienst, dessen Kontaktdaten im Garantieheft aufgeführt sind. Der Hersteller stellt die Verfügbarkeit von Ersatzteilen für mindestens 10 Jahre nach Produktionsende dieses Geräts sicher.

STÖRUNGEN	MÖGLICHE URSACHEN	LÖSUNG
 Salzanzeige leuchtet	Salzbehälter leer. (Es kann nach dem Auffüllen einige Spülvorgänge dauern, bis die Salzanzeige erlischt).	Befüllen Sie den Behälter mit Salz (weitere Informationen – siehe Seite 16). Stellen Sie die Wasserhärte ein – siehe Tabelle, Seite 16.
 Klarspüleranzeige leuchtet	Klarspülbehälter leer. (Es kann nach dem Auffüllen einige Spülvorgänge dauern, bis die Klarspüleranzeige erlischt).	Befüllen Sie den Behälter mit Klarspüler (weitere Informationen – siehe Seite 16).
Die Spülmaschine startet nicht oder reagiert nicht auf die Bedienungseingaben.	Das Gerät wurde nicht richtig eingesteckt.	Schließen Sie den Netzstecker an.
	Stromausfall.	Aus Sicherheitsgründen wird die Spülmaschine nicht automatisch neu gestartet, wenn die Stromversorgung wiederhergestellt wird. Öffnen Sie die Tür des Geschirrspülers, drücken Sie die Taste START/Pause und schließen Sie die Tür erneut innerhalb von 4 Sekunden.
	Die Gerätetür schließt nicht. CoolDry Pin ist nicht eingezogen.	Drücken Sie die Tür energisch, bis ein „Klicklaut“ zu hören ist.
	Der Spülgang wird durch Öffnen der Tür für > 4 Sekunden unterbrochen.	Drücken Sie die Taste START/Pause und schließen Sie die Tür erneut innerhalb von 4 Sekunden.
	Das Gerät reagiert nicht auf Bedienungseingaben. Das Display zeigt: 9 oder 12 und die LED EIN/AUS blinken rasch.	Schalten Sie das Gerät durch das Drücken der EIN/AUS -Taste aus und nach etwa einer Minute wieder ein und starten Sie das Programm neu. Wenn das Problem weiterhin besteht, ziehen Sie den Stecker des Geräts für 1 Minute ab und stecken Sie ihn dann wieder ein.
Der Geschirrspüler pumpt das Wasser nicht ab. Das Display zeigt: 3 und die LED EIN/AUS blinken rasch.	Das Spülprogramm ist noch nicht ganz abgelaufen.	Warten Sie, bis das Programm beendet ist.
	Der Ablaufschlauch ist geknickt.	Prüfen Sie, dass der Ablaufschlauch nicht geknickt ist (<i>siehe INSTALLATIONSANWEISUNG</i>).
	Der Ablauf des Spülbeckens ist verstopft.	Den Ablauf des Spülbeckens reinigen.
	Im Filtersieb haben sich Speisereste angesammelt.	Den Filter reinigen (<i>siehe REINIGUNG DER FILTEREINHEIT</i>).
Der Geschirrspüler ist zu laut.	Das Geschirr schlägt aneinander.	Positionieren Sie das Geschirr korrekt (<i>siehe KÖRBE BELADEN</i>).
	Es hat sich zu viel Schaum gebildet.	Das Spülmittel wurde nicht richtig dosiert oder ist für Geschirrspüler ungeeignet (<i>siehe EINFÜLLEN DES SPÜLMITTELS</i>). Starten Sie das laufende Programm durch Ausschalten des Geschirrspülers neu. Schalten Sie das Gerät wieder ein, wählen Sie ein neues Programm, drücken Sie START/Pause und schließen Sie die Tür innerhalb von 4 Sekunden. Kein Spülmittel zufügen.
Das Geschirr ist nicht sauber geworden.	Das Geschirr wurde nicht korrekt eingeräumt.	Positionieren Sie das Geschirr korrekt (<i>siehe KÖRBE BELADEN</i>).
	Die Sprüharme können nicht frei drehen, werden durch das Geschirr blockiert.	Positionieren Sie das Geschirr korrekt (<i>siehe KÖRBE BELADEN</i>).
	Das Spülprogramm ist zu schwach.	Ein geeignetes Spülprogramm wählen (<i>siehe PROGRAMMTABELLE</i>).
	Es hat sich zu viel Schaum gebildet.	Das Spülmittel wurde nicht richtig dosiert oder ist für Geschirrspüler ungeeignet (<i>siehe EINFÜLLEN DES SPÜLMITTELS</i>).
	Der Stöpsel des Klarspülerbehälters wurde nicht korrekt geschlossen.	Sicherstellen, dass der Stöpsel des Klarspülerbehälters geschlossen ist.
	Das Filtersieb ist schmutzig oder verstopft.	Die Filtereinheit reinigen (<i>siehe PFLEGE UND WARTUNG</i>).
	Fehlendes Regeneriersalz.	Füllen Sie den Salzbehälter (<i>siehe SALZBEHÄLTER BEFÜLLEN</i>).
Der Geschirrspüler lädt kein Wasser. Das Display zeigt: H, 6 und die LED EIN/AUS blinken rasch.	Kein Wasser im Wassernetz oder zugezogener Wasserhahn.	Sicherstellen, dass Wasser im Wassernetz ist oder der Wasserhahn läuft.
	Geknickter Zulaufschlauch.	Sicherstellen, dass der Zulaufschlauch nicht geknickt ist (<i>siehe INSTALLATION</i>), den Geschirrspüler neu programmieren und wieder einschalten.
	Sieb im Zulaufschlauch verstopft; es muss gereinigt werden.	Nach der Überprüfung und Reinigung, den Geschirrspüler ausschalten und ein neues Programm starten.
Der Geschirrspüler beendet frühzeitig das Programm. Das Display zeigt: 15 und die LED EIN/AUS blinken rasch.	Abflussschlauch zu niedrig positioniert oder Wasser vom Abwassersystem angesaugt.	Kontrollieren Sie, ob das Ende des Abflussschlauches auf der korrekten Höhe positioniert ist (<i>siehe INSTALLATION</i>). Kontrollieren Sie, ob Wasser in das Abwassersystem angesaugt wird, installieren ggf. ein Belüftungsventil.
	Luft in der Wasserversorgung.	Kontrollieren Sie die Wasserversorgung auf Lecks oder andere Probleme, die einen Lufteintritt verursachen.

UNTERSTÜTZUNG

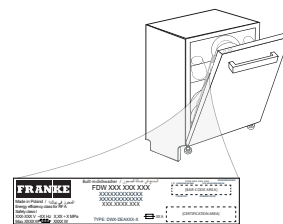
Bei Betriebsstörungen wenden Sie sich bitte an einen Franke Technischen Kundenservice.

Nehmen Sie nie die Dienste nicht autorisierter Techniker in Anspruch.

Machen Sie bitte folgende Angaben:

- Art des Fehlers
- Gerätemodell (Art./Code)
- Seriennummer (S.N.)

Wenn Sie den Kundendienst kontaktieren, müssen Sie die Codes angeben, die sich auf dem Typenschild an der linken oder rechten Innenseite der Tür des Geschirrspülers befinden.



Die Modellinformation ist über den QR-Code auf der Energieverbrauchskennzeichnung aufrufbar.

Die Kennzeichnung enthält auch die Modellnummer, die den Zugang zum Verzeichnisportal unter <https://eprel.ec.europa.eu> ermöglicht.



WWW.FRANKE.COM

© Franke Technology and Trademark Ltd, Switzerland

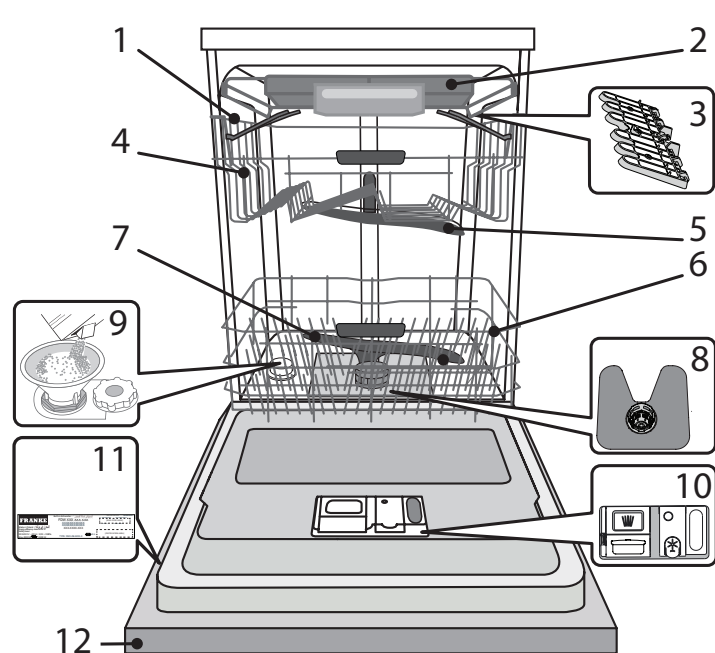
ÍNDICE

INFORMACIÓN GENERAL.....	26
PRIMER USO	27
TABLA DE PROGRAMAS.....	28
OPCIONES Y FUNCIONES	29
LLENADO DEL LAVAVAJILLAS.....	30
USO DIARIO	31
SUGERENCIAS Y CONSEJOS	31
LIMPIEZA Y MANTENIMIENTO	32
INSTALACIÓN	33
RESOLUCIÓN DE PROBLEMAS.....	34
ASISTENCIA.....	35

GUÍA DEL USUARIO

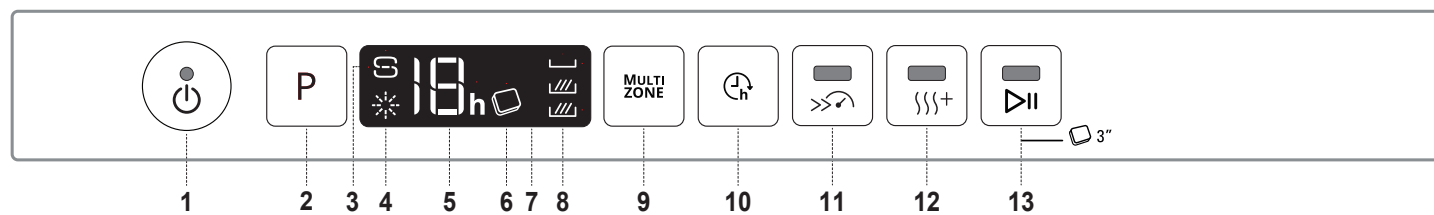
Antes de usar el electrodoméstico, lea atentamente las Instrucciones de seguridad.

INFORMACIÓN GENERAL



1. Cesto superior
2. Bandeja para cubiertos
3. Sujeciones plegables
4. Ajustador de altura de la bandeja superior
5. Brazo aspersor superior
6. Cesto inferior
7. Brazo aspersor inferior
8. Conjunto de filtrado
9. Depósito de sal
10. Dispensadores de detergente y abrillantador
11. Placa de características
12. Panel de control

PANEL DE CONTROL



1. Botón de Encender-Apagar / Reset con indicador luminoso
2. Botón de selección de programas
3. Indicador luminoso de recarga de sal
4. Indicador luminoso de recarga de abrillantador
5. Indicador luminoso de número de programa y tiempo diferido
6. Indicador luminoso de Pastillas (Tab)
7. Pantalla
8. Indicador luminoso de Multizone
9. Botón de Multizone
10. Botón de aplazamiento
11. Botón de Turbo con indicador luminoso
12. Botón Extra Dry con indicador luminoso
13. Botón de Inicio/Pausa con indicador luminoso/ Pastillas (Tab)


PRIMER USO SAL, ABRILLANTADOR Y DETERGENTE

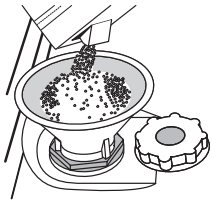
Después de la instalación, retire los toques de las bandejas y los elementos de retención elásticos de la bandeja superior.

LLENADO DEL DEPÓSITO DE SAL

El uso de sal evita la formación de INCRUSTACIONES DE CAL en la vajilla y en los componentes funcionales de la máquina.

- Es obligatorio que **EL DEPÓSITO DE SAL NO ESTÉ NUNCA VACÍO**.
- Es importante ajustar la dureza del agua.

El depósito de sal se ubica en la parte inferior del lavavajillas (*consulte INFORMACIÓN GENERAL*) y se debe rellenar cuando el **indicador de RECARGA DE SAL**  del panel de control se encienda.



1. Retire la bandeja inferior y desenrosque el tapón del depósito (en sentido antihorario).
2. **Pasos a seguir solo la primera vez: llene el depósito de sal con agua.**
3. Coloque el embudo (véase la figura) y llene el depósito de sal hasta el borde (aproximadamente 1 kg); puede derramarse un poco de agua.
4. Retire el embudo y limpie cualquier residuo de sal del orificio.

Asegúrese de que el tapón esté bien cerrado, de modo que el detergente no pueda entrar en el depósito durante el programa de lavado (esto podría estropear irremisiblemente el ablandador del agua).

Siempre que necesite añadir sal, es obligatorio completar el procedimiento antes del inicio del ciclo de lavado para evitar la corrosión.

CONFIGURACIÓN DE LA DUREZA DEL AGUA

Para que el ablandador del agua funcione a la perfección, es esencial que la configuración de la dureza del agua se base en la dureza real del agua de su casa. Su suministrador de agua local le puede proporcionar esta información.


La fábrica ajusta el valor predeterminado de dureza del agua.

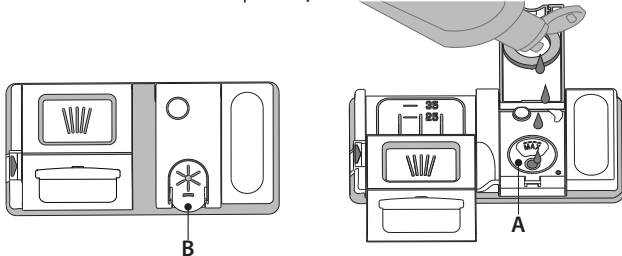
- Encienda el aparato pulsando el botón Encendido/Apagado.
- Apague el aparato pulsando el botón Encendido/Apagado.
- Mantenga pulsado el botón P durante 5 segundos, hasta que oiga un pitido.
- Encienda el aparato pulsando el botón Encendido/Apagado.
- Tanto el número del nivel de la selección actual como el indicador luminoso de la sal parpadean.
- Pulse el botón P para seleccionar el nivel de dureza deseado (*consulte la TABLA DE DUREZA DEL AGUA*).

Tabla de dureza del agua				
Nivel		°dH Niveles Alemanes	°fH Niveles Franceses	°Clark Niveles Ingleses
1	Blanda	0 - 6	0 - 10	0 - 7
2	Media	7 - 11	11 - 20	8 - 14
3	Normal	12 - 16	21 - 29	15 - 20
4	Dura	17 - 34	30 - 60	21 - 42
5	Muy dura	35 - 50	61 - 90	43 - 62

- Apague el aparato pulsando el botón Encendido/Apagado ¡Configuración finalizada!
- Cuando haya completado este procedimiento, ejecute un programa sin carga. **Utilice solamente sal fabricada específicamente para lavavajillas.** Cuando haya echado la sal dentro del depósito, el indicador luminoso de RECARGA DE SAL se apagará. **Si el depósito de sal no se llena, el ablandador del agua y la resistencia pueden sufrir daños como resultado de la acumulación de incrustaciones de cal. Se recomienda utilizar sal con cualquier tipo de detergente para lavavajillas.**

LLENADO DEL DISPENSADOR DEL ABRILLANTADOR

El abrillantador facilita el SECADO de la vajilla. El dispensador de abrillantador **A** se debe rellenar cuando el **indicador luminoso de RECARGA DE ABRILLANTADOR**  del panel de control esté encendido.



1. Abra el dispensador **B** pulsando y levantando la lengüeta de la tapa.
2. Introduzca el abrillantador con cuidado como máximo hasta la última marca (110 ml) de referencia del depósito, evitando que se derrame. Si se derrama, limpie el derrame inmediatamente con un paño seco.
3. Pulse la tapa hasta que oiga un clic, para cerrarla.

NUNCA eche el abrillantador directamente en la cuba.

AJUSTE DE LA DOSIS DE ABRILLANTADOR

Si los resultados del secado no le satisfacen totalmente, puede ajustar la cantidad de abrillantador utilizada.

- Encienda el lavavajillas con el botón Encendido/Apagado.
- Apáguelo con el botón Encendido/Apagado.
- Pulse el botón P tres veces: oirá un pitido.
- Enciéndalo con el botón Encendido/Apagado.
- Tanto el número del nivel de la selección actual como el indicador luminoso del abrillantador parpadean.
- Pulse el botón P para seleccionar el nivel del abrillantador y la cantidad que se tenga que suministrar.
- Apáguelo con el botón Encendido/Apagado. ¡Configuración finalizada!

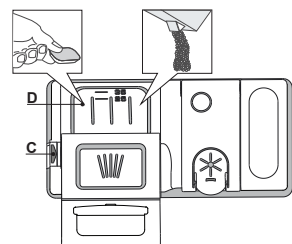
Si se selecciona el nivel de abrillantador CERO (ECO), no se suministrará abrillantador. El indicador luminoso de ABRILLANTADOR BAJO no se encenderá si el abrillantador se termina.

Se pueden configurar 5 niveles como máximo según el modelo de lavavajillas. Los ajustes de fábrica son específicos para el modelo, siga las instrucciones anteriores para comprobar esto en su máquina.

- Si ve manchas azuladas en la vajilla, seleccione un número bajo (1-2).
- Si hay gotas de agua o incrustaciones de cal en la vajilla, seleccione un número alto (3-4).

RELLENAR EL DISPENSADOR DE DETERGENTE

El uso de detergente no diseñado para lavavajillas puede provocar fallos de funcionamiento o daños en el aparato.



Para abrir el dispensador de detergente utilice el mecanismo de apertura C. Introduzca el detergente solo en el dispensador D seco. Eche la cantidad de detergente para el prelavado directamente dentro de la cuba.

1. Cuando dosifique el detergente, consulte la información mencionada anteriormente para añadir la cantidad correcta. Dentro del dispensador D hay indicaciones para ayudarle a dosificar el detergente.
2. Retire los restos de detergente de los bordes del dispensador y cierre la tapa hasta oír un clic.
3. Cierre la tapa del dispensador de detergente levantándola hasta que el mecanismo de cierre quede bien fijado.

El dispensador de detergente se abre automáticamente en el momento adecuado según el programa.

Si se utilizan detergentes todo en uno, recomendamos usar el botón de **PASTILLAS**, ya que ajusta el programa de tal modo que siempre se consigán los mejores resultados de lavado y secado.

TABLA DE PROGRAMAS

Programa	Fase de secado	CoolDry	Opciones disponibles *)	Duración del programa de lavado (h:min)**)	Consumo de agua (litros/ciclo)	Consumo de energía (kWh/ciclo)	
1. Eco	50°	✓	✓		3:10	9,5	0,85
2. Auto	50-60°	✓	✓	MULTI ZONE	1:25 - 3:00	7,0 - 14,0	0,90 - 1,40
3. Intensivo	65°	✓	✓	MULTI ZONE	2:50	17,0	1,60
4. Lavado y secado rápido	50°	✓	✓	MULTI ZONE	1:25	11,5	1,10
5. Cristal	45°	✓	✓	MULTI ZONE	1:40	12,0	1,20
6. Rápido 30'	45°	-	✓	MULTI ZONE	0:30	9,0	0,50
7. Silencioso	50°	✓	✓		3:30	16,0	1,15
8. Desinfección	65°	✓	-		1:40	12,0	1,30
9. Prelavado	-	-	-	MULTI ZONE	0:12	4,5	0,01
10. Autolimpieza	65°	-	-		0:50	8,0	0,85

Los datos del programa ECO se miden bajo condiciones de laboratorio de conformidad con la Norma europea EN 60436:2020.

No es necesario ningún tratamiento previo de la vajilla antes de ninguno de los programas.

*) No todas las opciones se pueden utilizar simultáneamente.

***) Los valores indicados para los programas distintos al programa Eco son indicativos. El tiempo real puede variar dependiendo de muchos factores como la temperatura y la presión del agua de entrada, la temperatura ambiente, la cantidad de detergente, la cantidad y el tipo de carga, la colocación de la carga, las opciones adicionales seleccionadas y la calibración del sensor.

La calibración del sensor puede incrementar la duración del programa hasta 20 min.

DESCRIPCIÓN DE PROGRAMAS

Instrucciones sobre la selección de programa de lavado.

1 ECO

El programa Eco es adecuado para lavar utensilios con suciedad normal, para este uso es el programa más eficiente en términos de consumo combinado de energía y agua, y se utiliza para valorar el cumplimiento con la legislación de Ecodiseño de la UE.

2 AUTO

Para vajilla con suciedad normal con residuos de comida secos. Detecta el nivel de suciedad en la vajilla y ajusta el programa según proceda.

3 INTENSIVO

Programa recomendado para vajilla muy sucia, en especial para ollas o sartenes (no se debe utilizar para artículos delicados).

4 LAVADO Y SECADO RÁPIDO

Vajilla con suciedad normal. Ciclo diario que garantiza un rendimiento de limpieza y secado óptimos en poco tiempo.

5 CRISTAL

Programa para artículos delicados, que son más sensibles a las temperaturas altas, por ejemplo vasos y tazas.

6 RÁPIDO 30'

Programa recomendado para media carga de vajilla poco sucia sin restos de comida secos. No tiene fase de secado.

7 SILENCIOSO

Adecuado para hacer funcionar el aparato de noche. Garantiza una limpieza y un secado óptimos con las más bajas emisiones de ruido.

8 DESINFECCIÓN

Vajilla con suciedad normal o muy sucia, con acción antibacteriana suplementaria. Puede utilizarse para realizar el mantenimiento del lavavajillas.

9 PRELAVADO

Se utiliza para remojar la vajilla que planea lavar más tarde. Con este programa no se debe utilizar detergente.

10 AUTOLIMPIEZA

Programa para realizar el mantenimiento del lavavajillas. Solo debe llevarse a cabo cuando el lavavajillas esté VACÍO usando detergentes específicos diseñados para el mantenimiento de lavavajillas

Notas:

Tenga en cuenta que el ciclo *Rápido 30'* está destinado a vajilla poco sucia.

OPCIONES Y FUNCIONES

Las OPCIONES se pueden seleccionar directamente pulsando el botón correspondiente (*consulte el PANEL DE CONTROL*). Si una opción no es compatible con el programa seleccionado (*consulte la TABLA DE PROGRAMAS*), el led correspondiente parpadea rápidamente 3 veces y suenan unos pitidos. La opción no se habilitará.

MULTI MULTIZONE

Si no hay que lavar mucha vajilla, se puede utilizar una media carga para ahorrar agua, electricidad y detergente.

Seleccione el programa y pulse el botón de MULTIZONE: el símbolo de la bandeja elegida aparecerá en la pantalla. Por defecto, el aparato lava la vajilla de todas las bandejas.

Para lavar solo una bandeja determinada, pulse este botón repetidamente:



la pantalla muestra (solo bandeja inferior)



la pantalla muestra (solo bandeja superior)



la pantalla muestra (solo bandeja para cubiertos)



la pantalla muestra (la opción está apagada y el aparato lavará la vajilla de todas las bandejas).

Acuérdese de cargar solo la bandeja superior o inferior y consiguientemente, de reducir la cantidad de detergente.

Si se retira la cesta superior, aplique el detergente directamente en la cuba y no en el dispensador de detergente.

APLAZAMIENTO

La hora de inicio del programa se puede retrasar un periodo de tiempo de entre **1 y 12 horas**.

1. Pulse el botón de APLAZAMIENTO: el símbolo «h» correspondiente aparece en la pantalla; cada vez que pulse el botón, el tiempo (1 h, 2 h, etc. hasta máx. 12 h) del inicio del ciclo de lavado seleccionado se incrementará.
2. Seleccione el programa de lavado, pulse el botón de INICIO/PAUSA y cierre la puerta antes de 4 segundos: el temporizador empezará la cuenta atrás.
3. Cuando ha transcurrido este tiempo, el indicador luminoso «h» se apaga y empieza el ciclo de lavado.

Para ajustar el tiempo de retraso y seleccionar un periodo de tiempo más corto, pulse el botón de APLAZAMIENTO. Para cancelar, pulse el botón repetidamente hasta que el indicador luminoso «h» del aplazamiento seleccionado se apague.

El programa de lavado se iniciará automáticamente cuando se cierre la puerta.

La función de APLAZAMIENTO no puede configurarse una vez iniciado el ciclo.

TURBO

Esta opción se puede utilizar para reducir la duración de los programas principales manteniendo los mismos niveles de rendimiento del lavado y el secado.

Una vez seleccionado el programa, pulse el botón TURBO y el indicador luminoso se encenderá. Vuelva a pulsar el botón para deseleccionar la opción..

EXTRA DRY

Para mejorar el secado de los platos, una vez seleccionado el programa pulse el botón EXTRA DRY y el indicador luminoso se encenderá.

Una temperatura más alta durante el último aclarado y una fase de secado más larga mejoran el secado. Vuelva a pulsar el botón para deseleccionar la opción. La opción EXTRA DRY alarga el ciclo de lavado.



PASTILLAS (Tab)

Esta función permite optimizar el rendimiento del programa según el tipo de detergente utilizado.

Pulse el botón INICIO/PAUSA (el símbolo correspondiente se encenderá) si usa detergentes combinados en forma de pastilla (abrillantador, sal y detergente en 1 dosis).

Si utiliza detergente en polvo o líquido, esta opción debería estar desactivada.



INDICADOR DE OPERACIÓN

Una luz LED se proyecta en el suelo para indicar que el lavavajillas está en funcionamiento. Se puede seleccionar uno de los siguientes modos de funcionamiento:

- a) Función desactivada.
- b) Cuando el ciclo se inicia la luz se apaga durante unos segundos, se mantiene apagada durante el ciclo y parpadea al final del ciclo.
- c) La luz se mantiene encendida durante el ciclo y parpadea al final del ciclo (modo por defecto).

Si se ha ajustado el aplazamiento, la luz se enciende o bien durante los primeros segundos o bien mientras dure la cuenta atrás, dependiendo de si se ha ajustado el modo b) o c).

La luz se apaga cada vez que se abre la puerta. Para seleccionar el modo que prefiera, encienda la máquina, mantenga pulsado el botón **P** hasta que una de las tres letras aparezca en la pantalla, pulse el botón **P** hasta que llegue a la letra deseada (o modo) y mantenga pulsado el botón **P** para confirmar la selección.

Nota: Si CoolDry está activo y abre la puerta, el indicador de funcionamiento no parpadeará al final del ciclo.

CoolDry

CoolDry es un sistema de secado por convección que abre la puerta automáticamente durante/después de la fase de secado para garantizar un rendimiento excepcional y regular del secado. La puerta se abre a una temperatura segura para los muebles de cocina. Por lo tanto, la puerta no se abre si se elige la función TURBO.

Como protección adicional contra el vapor, se incluye una lámina protectora especial en el lavavajillas. Para ver cómo montar la lámina protectora, consulte la GUÍA DE INSTALACIÓN.

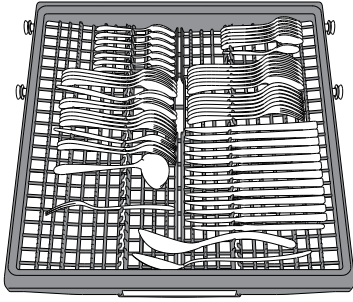
La funcionalidad CoolDry se puede desactivar de la siguiente manera:

1. Vaya al menú del software del lavavajillas manteniendo pulsado el botón **P** (6 seg).
2. Ahora está en el Menú de control de la luz (consulte la descripción INDICADOR DE OPERACIÓN). Si no quiere cambiar nada, mantenga pulsado el botón **P** (hasta que una de las dos letras aparezca en la pantalla).
3. Ha cambiado al Menú de control de CoolDry; podría cambiar el estado de la funcionalidad CoolDry manteniendo pulsado el botón **P**:
E – activado **d** – desactivado

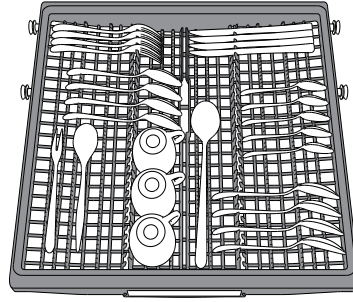
Para confirmar el cambio y salir del Menú de control, mantenga pulsado el botón **P** (3 seg).

LLENADO DEL LAVAVAJILLAS

BANDEJA PARA CUBIERTOS



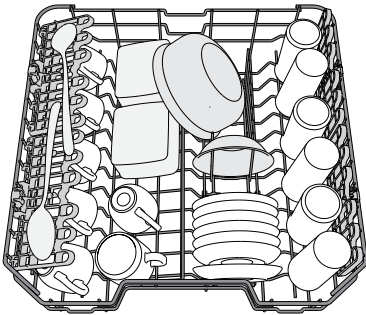
La tercera bandeja está diseñada para alojar los cubiertos. Coloque los cubiertos tal como se muestra en la figura. La colocación por separado de los cubiertos hace que sean más fáciles de recoger después del lavado y mejora el rendimiento del lavado y el secado.



Los cuchillos y otros utensilios con bordes afilados deben colocarse con las hojas hacia abajo.

La geometría de la bandeja hace posible colocar artículos pequeños como las tazas de café en la zona central.

CESTO SUPERIOR



(ejemplo de carga para la bandeja superior)

Cargue la vajilla delicada y ligera: vasos, tazas, platos, ensaladeras bajas.

Para volver a la posición más baja, pulse las palancas **A** de los laterales de la bandeja y mueva el cesto hacia abajo.

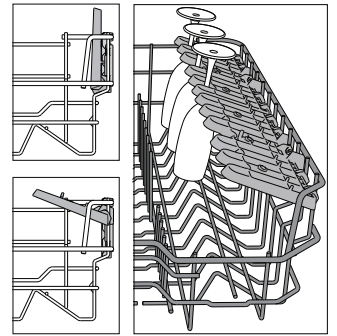
Le recomendamos encarecidamente que no ajuste la altura de la bandeja cuando esté cargada. NUNCA suba o baje el cesto solo de un lado.

SUJECIONES PLEGABLES CON POSICIÓN AJUSTABLE

Las sujeciones plegables laterales se pueden plegar o desplegar para optimizar la disposición de la vajilla en el cesto. Las copas de vino quedan bien aseguradas en las sujeciones plegables insertando el tallo de cada copa en las ranuras correspondientes.

Dependiendo del modelo:

- para desplegar las sujeciones, deslícelas hacia arriba y gírelas o suéltelas de los cierres y tire de ellas hacia abajo.
- para plegar las sujeciones, gírelas y deslícelas hacia abajo o tire de ellas hacia arriba y fíjelas en los cierres.

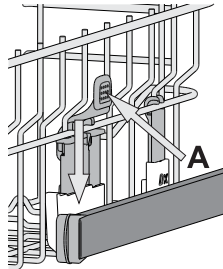


AJUSTE DE LA ALTURA DE LA BANDEJA SUPERIOR

La altura de la bandeja superior se puede ajustar: posición alta para colocar vajilla voluminosa en el cesto inferior y posición baja para aprovechar al máximo los soportes desplegados creando más espacio hacia arriba y evitando que colisionen con los artículos cargados en la bandeja inferior.

La bandeja superior está equipada con un **Ajustador de altura de la bandeja superior** (véase la figura). Sin presionar las palancas,

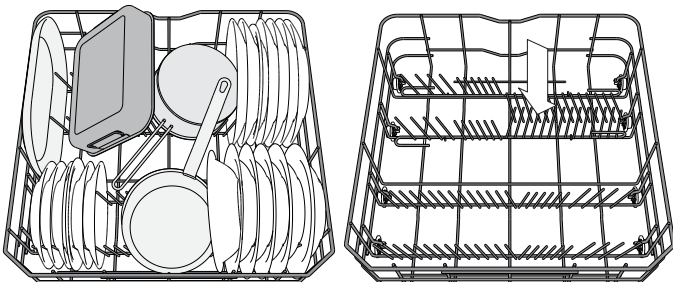
levántelo simplemente sujetando los laterales de la bandeja, hasta que la bandeja esté estable en su posición superior.



CESTO INFERIOR

Para ollas, tapas, platos, ensaladeras, cubertería, etc. Se recomienda colocar las bandejas y tapas grandes en los laterales para evitar interferencias con el brazo aspersor.

La bandeja inferior tiene unos soportes desplegados que se pueden utilizar en posición vertical cuando se coloquen platos o en posición horizontal (más baja) para cargar cacerolas y ensaladeras fácilmente.



(ejemplo de carga para la bandeja inferior)

USO DIARIO

1. COMPRUEBE LA CONEXIÓN DE AGUA

Compruebe que el lavavajillas esté conectado al suministro de agua y que el grifo esté abierto.

2. ENCIENDA EL LAVAVAJILLAS

Abra la puerta y pulse el botón ENCENDIDO/APAGADO.

3. LLENADO DEL LAVAVAJILLAS (consulte LLENADO DEL LAVAVAJILLAS).

4. LLENADO DEL DISPENSADOR DE DETERGENTE

5. SELECCIONE EL PROGRAMA Y PERSONALICE EL CICLO

Seleccione el programa más apropiado según el tipo de vajilla y el nivel de suciedad (consulte DESCRIPCIÓN DE PROGRAMAS) pulsando el botón P. Seleccione las opciones deseadas (consulte OPCIONES Y FUNCIONES).

6. INICIO

Inicie el ciclo de lavado pulsando el botón INICIO/Pausa (el led se enciende) y cerrando la puerta en un plazo de 4 seg. Cuando el programa se inicia se oye una señal acústica. Si la puerta no se ha cerrado en un plazo de 4 seg, suena la alarma. En este caso, abra la puerta, pulse el botón INICIO/Pausa y vuelva a cerrar la puerta en un plazo de 4 seg.

7. FIN DEL CICLO DE LAVADO

El final del ciclo de lavado se indica mediante pitidos y el parpadeo del indicador de ciclo de lavado en el panel y la luz en el piso (si está activado).. Abra la puerta y apague el aparato pulsando el botón ENCENDIDO/APAGADO.

Espere unos minutos antes de retirar la vajilla, para evitar quemaduras. Descargue las bandejas, empezando por la inferior.

La máquina se apagará automáticamente durante ciertos periodos largos de inactividad, para minimizar el consumo de electricidad. Si la vajilla está solo ligeramente sucia o si se ha aclarado con agua antes de colocarla en el lavavajillas, le aconsejamos que reduzca la cantidad de detergente utilizada.

MODIFICACIÓN DE UN PROGRAMA EN CURSO

Si se ha equivocado al seleccionar el programa, se puede cambiar, siempre que acabe de empezar: abra la puerta, mantenga pulsado el botón ENCENDIDO/APAGADO; la máquina se apagará. Vuelva a encender la máquina con el botón ENCENDIDO/APAGADO y seleccione el nuevo ciclo de lavado y cualquier opción que se desee; Inicie el ciclo de lavado pulsando el botón INICIO/Pausa y cerrando la puerta en un plazo de 4 seg.

AÑADIR MÁS VAJILLA

Sin apagar la máquina, abra la puerta (el led INICIO/Pausa empieza a parpadear) (**¡tenga cuidado con el vapor CALIENTE!**) y ponga la vajilla dentro del lavavajillas. Pulse el botón INICIO/Pausa y cierre la puerta en un plazo de 4 seg; el ciclo se reanudará desde el punto en el cual se interrumpió.

INTERRUPCIONES ACCIDENTALES

Si se abre la puerta durante el ciclo de lavado, o si hay un corte de corriente, el ciclo se detiene. Pulse el botón INICIO/Pausa y cierre la puerta en un plazo de 4 seg; el ciclo se reanudará desde el punto en el cual se interrumpió.

SUGERENCIAS Y CONSEJOS

CONSEJOS

Antes de cargar los cestos, elimine todos los residuos de comida de la vajilla y vacíe los vasos. **No es necesario aclarar previamente con agua corriente.** Coloque la vajilla de tal modo que quede bien sujeta y no se vuelque; y coloque los recipientes con las bocas hacia abajo y las partes cóncavas/convexas en posición oblicua, permitiendo que el agua llegue a todas las superficies y fluya libremente.

Advertencia: tapas, mangos, bandejas y sartenes no deben impedir que los brazos aspersores giren.

Coloque cualquier objeto pequeño en el canastillo para cuchillería. La vajilla y los utensilios muy sucios se deberían colocar en la bandeja inferior porque en este sector los aspersores de agua son más resistentes y permiten un rendimiento de lavado superior.

Una vez cargado el aparato, asegúrese de que los brazos aspersores puedan girar libremente.

CONSEJOS SOBRE AHORRO ENERGÉTICO

• Si el lavavajillas doméstico se utiliza siguiendo las instrucciones del fabricante, **lavar platos en el lavavajillas suele consumir MENOS ENERGÍA y agua que el lavado a mano.**

• Para maximizar la eficiencia del lavavajillas, **se recomienda iniciar el ciclo de lavado cuando el lavavajillas esté totalmente cargado.** Cargar el lavavajillas doméstico hasta la capacidad indicada por el fabricante contribuirá a ahorrar energía y agua. Puede encontrar información sobre la carga correcta de la vajilla en el capítulo CARGA DE LAS CESTAS.

En caso de carga parcial, se recomienda utilizar las opciones de lavado específicas si están disponibles (Media carga/ Zone Wash/ Multizonas), llenando solo las cestas seleccionadas. La carga incorrecta o excesiva del lavavajillas puede aumentar el consumo de recursos (como el agua, la energía y el tiempo, así como el nivel de ruido), reduciendo el rendimiento de lavado y de secado.

• El preaclarado manual de la vajilla conlleva un mayor consumo de agua y energía y no está recomendado.

HIGIENE

Para evitar malos olores y sedimentos que se pueden acumular en el lavavajillas, **ejecute un programa a alta temperatura al menos una vez al mes.** Utilice una cucharadita de café de detergente y ejecútelos sin carga para limpiar el aparato.

VAJILLA INADECUADA

Vajilla que no se puede lavar en el lavavajillas:

- Vajilla y cacerolas de madera: se pueden arruinar debido a la elevada temperatura de lavado;
- Vajilla artesanal: por lo general no se pueden lavar en el lavavajillas. La elevada temperatura del agua y el detergente las pueden arruinar;
- Vajilla de plástico: la vajilla de plástico resistente al calor se debe lavar en el cesto superior;
- Vajilla u objetos de cobre, estaño, cinc y latón: tiende a mancharse;
- Vajilla de aluminio: la vajilla en aluminio anodizado puede perder el color;
- Platería: La vajilla de plata se puede manchar;
- Vidrio y cristal: por lo general los objetos de vidrio y cristal se pueden lavar en el lavavajillas. Sin embargo, existen algunos tipos de vidrio y de cristal que, después de muchos lavados, se suelen poner opacos y perder transparencia; para estos materiales, aconsejamos siempre el programa menos agresivo entre los presentados en el cuadro correspondiente;
- Vajilla con decoraciones: los objetos decorados que se encuentran actualmente a la venta, suelen tener un buen nivel de resistencia al lavado en el lavavajillas. A pesar de ello, es posible que, después de lavados frecuentes, los colores pierdan vivacidad poniéndose pálidos. Si tuviese alguna duda sobre la resistencia de los colores, lave pocas piezas a la vez por un mes aproximadamente.

DAÑOS A LA CRISTALERÍA Y A LA VAJILLA

- Utilice solo cristalería y porcelana garantizadas por el fabricante como aptas para lavavajillas.
- Utilice un detergente delicado adecuado para la vajilla
- Saque la cristalería y la cubertería del lavavajillas inmediatamente después de la finalización del ciclo de lavado.

LIMPIEZA Y MANTENIMIENTO

**Desenchufe siempre el aparato cuando lo limpie y cuando realice tareas de mantenimiento.
No utilice líquidos inflamables para limpiar la máquina.**

LIMPIEZA DEL LAVAVAJILLAS

Cualquier marca de dentro del aparato se puede eliminar con un paño humedecido con agua y un poco de vinagre. Las superficies externas de la máquina y el panel de control se pueden limpiar con un paño no abrasivo humedecido con agua. No utilice disolventes ni productos abrasivos.



PREVENCIÓN DE OLORES DESAGRADABLES

Deje siempre la puerta del aparato entreabierta para evitar que se forme humedad y que quede atrapada dentro de la máquina.

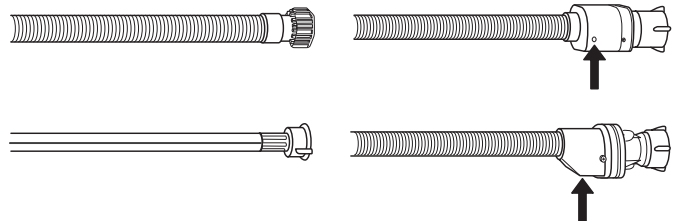
Limpie las juntas de alrededor de la puerta y de los dispensadores de detergente regularmente con una esponja húmeda. Esto evitará que la comida quede atrapada en las juntas, que es la causa principal de la formación de olores desagradables.

LIMPIEZA DE LA MANGUERA DE ENTRADA DE AGUA

Si las mangueras del agua son nuevas o no se han utilizado durante un largo periodo de tiempo, deje correr el agua para asegurarse de que estén limpias y libres de impurezas antes de realizar las conexiones necesarias. Si no se toma esta precaución, la entrada de agua se podría bloquear y dañar el lavavajillas.

COMPROBACIÓN DE LA MANGUERA DE SUMINISTRO DE AGUA

Compruebe la manguera de entrada regularmente para detectar zonas frágiles y grietas. Si está estropeada, cámbiela por una manguera nueva a través de nuestro Servicio Postventa o de su distribuidor autorizado. Según el tipo de manguera:



Si la manguera de entrada tiene un revestimiento transparente, revise de forma regular si el color se intensifica en alguna zona. En tal caso, puede que la manguera tenga un escape y deba cambiarse.

Para las mangueras de desagüe: compruebe la ventanilla de inspección de la válvula de seguridad (vea la flecha). Si es de color rojo, significa que la función desagüe estaba activada, y deberá sustituir la manguera por una nueva.

Para desenroscar la manguera, pulse el botón de liberación mientras la desenrosca.

LIMPIEZA DEL CONJUNTO DE DE FILTRADO

Limpie regularmente el conjunto de filtrado para que los filtros no se obturen y para que el agua residual salga libremente.

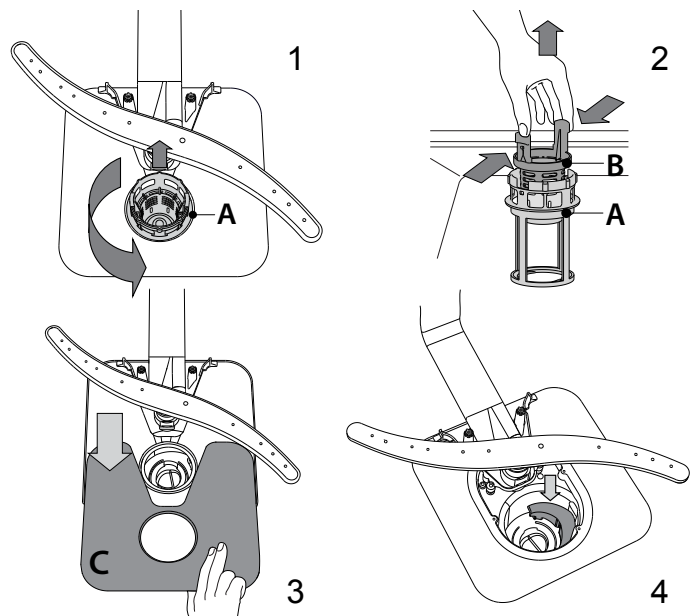
El uso del lavavajillas con los filtros obstruidos o con objetos extraños en el sistema de filtrado o en los aspersores puede provocar fallos de funcionamiento que pueden derivar en una pérdida del rendimiento, un aumento del ruido o un mayor consumo de recursos.

El conjunto de filtrado está formado por tres filtros que eliminan los restos de comida del agua de lavado y que hacen recircular el agua.

El lavavajillas no se debe usar sin filtros o si el filtro está suelto.

Al menos una vez al mes o cada 30 ciclos, revise el conjunto de filtrado y, si es necesario, límpielo a fondo con agua corriente, utilizando un cepillo no metálico y siguiendo estas instrucciones:

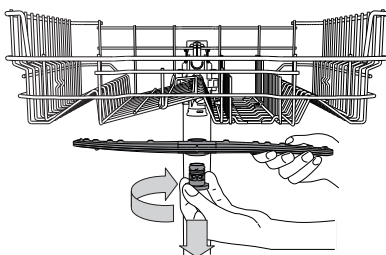
1. Gire el filtro cilíndrico **A** hacia la izquierda y extráigalo (Fig 1).
2. Extraiga el filtro en forma de saco **B** ejerciendo una ligera presión en las sujeciones laterales (Fig 2).
3. Extraiga el filtro de placa de acero inoxidable **C** (Fig 3).
4. Si encuentra objetos extraños (como cristales rotos, porcelana, huesos, semillas, etc.) **retírelos con cuidado**.
5. Inspeccione la trampilla y retire cualquier resto de comida.
NO RETIRE NUNCA la protección de la bomba del ciclo de lavado (detalle negro) (Fig 4).



Una vez limpiados los filtros, recolóque el conjunto de de filtrado y encájelo correctamente en su sitio; esto es esencial para garantizar el funcionamiento eficiente del lavavajillas.

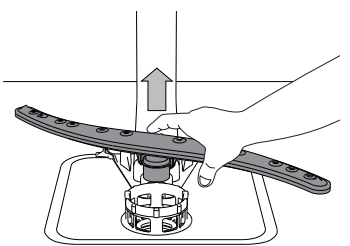
LIMPIEZA DE LOS BRAZOS ASPERORES

A veces, los residuos de comida se pueden incrustar en los brazos aspersores y bloquear los orificios por donde sale el agua. Por lo tanto, se recomienda revisar los brazos de vez en cuando y limpiarlos con un pequeño cepillo no metálico.



Para extraer el brazo aspersor superior, gire el anillo de cierre de plástico hacia la derecha. El brazo aspersor superior se tiene que recolocar de tal modo que el lado con más agujeros mire hacia arriba.

El brazo aspersor inferior se puede desmontar ejerciendo presión hacia arriba.



SISTEMA DE ABLANDAMIENTO DE AGUA

El ablandador del agua reduce automáticamente la dureza del agua, evitando así la acumulación de incrustaciones en el calentador y permitiendo también una mayor eficiencia del lavado.

Este sistema se regenera con sal, por lo que es necesario rellenar el depósito de sal cuando está vacío.

La frecuencia de la regeneración depende del ajuste del nivel de dureza del agua. La regeneración se produce una vez cada **6** ciclos Eco con la dureza del agua ajustada en el nivel **3**.

El proceso de regeneración comienza en el aclarado final y termina en la fase de secado, antes de que termine el ciclo.

- Una regeneración consume: ~3,5 l de agua;
- Añade hasta 5 minutos adicionales al ciclo;
- Consume menos de 0,005 kWh de energía.

INSTALACIÓN

Si en algún momento se tiene que mover el aparato, manténgalo en posición vertical; si es absolutamente necesario, se puede inclinar hacia atrás.

CONEXIÓN AL SUMINISTRO DE AGUA

La adaptación del suministro de agua para la instalación debería realizarla únicamente un técnico cualificado.

Las mangueras de entrada y salida del agua pueden posicionarse hacia la derecha o hacia la izquierda para conseguir la mejor instalación posible. Compruebe que el lavavajillas no doble o aplaste las mangueras.

CONEXIÓN DE LA MANGUERA DE ENTRADA DE AGUA

- Haga correr el agua hasta que sea totalmente transparente.
- Enrosque bien la manguera de entrada y abra el grifo.

Si la manguera de entrada no es suficientemente larga, póngase en contacto con una tienda especializada o un técnico autorizado.

La presión del agua debe estar dentro de los valores indicados en la tabla de Información técnica; de lo contrario, el lavavajillas puede funcionar mal. Compruebe que la manguera no esté doblada o comprimida. INFORMACIÓN PARA LA CONEXIÓN DE LA MANGUERA DE SUMINISTRO DE AGUA:

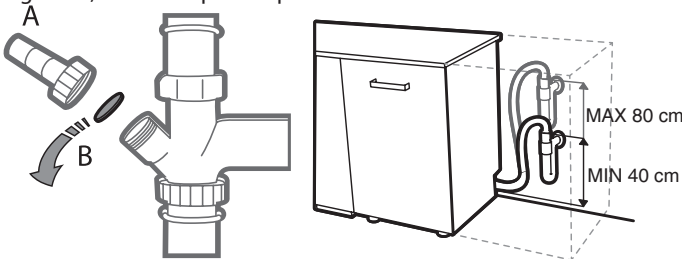
SUMINISTRO DE AGUA	fría o caliente (máx. 60°C)
ENTRADA DE AGUA	3/4"
POTENCIA DE PRESIÓN DEL AGUA	0,05 ÷ 1 MPa (0.5 ÷ 10 bar) 7,25 – 145 psi

CONEXIÓN DE LA MANGUERA DE SALIDA DEL AGUA

Conecte la manguera de salida a un tubo de desagüe con un diámetro mínimo de 2 cm **A**.

La conexión de la manguera de salida debe estar a una altura que oscile entre los 40 y los 80 cm del suelo o de la superficie donde repose el lavavajillas.

Antes de conectar la manguera de salida del agua al desagüe del fregadero, retire el tapón de plástico **B**.



PROTECCIÓN ANTI-INUNDACIÓN

Protección anti-inundación. Para evitar que haya inundaciones, el lavavajillas - se suministra con un sistema especial que bloquea el suministro de agua en caso de anomalías o fugas del interior del aparato.

Algunos modelos también están equipados con el mecanismo de seguridad suplementario **New Aqua Stop**, que garantiza la protección anti-inundaciones incluso en el caso de ruptura de una manguera de suministro.

La manguera de entrada de agua no se debe cortar en ningún caso, ya que contiene piezas conectadas a la corriente eléctrica.

CONEXIÓN ELÉCTRICA

⚡ ADVERTENCIA: La manguera de entrada de agua no se debe cortar en ningún caso, ya que contiene piezas conectadas a la corriente eléctrica.

Antes de enchufarlo a la toma de corriente, asegúrese de que:

- Sea una caja de enchufe con **toma de tierra** \perp y que cumpla la legislación vigente;
- La toma de corriente pueda resistir la carga máxima del aparato que figura en la placa de datos situada en el interior de la puerta (*consulte INFORMACIÓN GENERAL*).
- La tensión de alimentación esté dentro de los valores indicados en la placa de datos del interior de la puerta.
- La toma de corriente sea compatible con el enchufe del aparato.

Si no es así, pida a un técnico autorizado que cambie el enchufe (*consulte ASISTENCIA TÉCNICA*). No utilice alargadores ni adaptadores de varios enchufes. Cuando el aparato esté instalado, el cable de alimentación y la toma de corriente tienen que ser fácilmente accesibles. El cable no tiene que estar doblado o comprimido.

Si el cable de alimentación está dañado, pida al fabricante o al Servicio de Asistencia Técnica autorizado que lo sustituyan para evitar todos los posibles peligros.

La Empresa no se responsabilizará de ningún incidente, si no se cumplen estas directrices.

POSICIONAMIENTO Y NIVELACIÓN

1. Posicione el lavavajillas en un suelo resistente. Si el suelo es irregular, las patas delanteras del aparato se pueden ajustar hasta que quede en posición horizontal. Si el aparato se nivela correctamente, será más estable y será mucho menos probable que se mueva o provoque vibraciones y ruido mientras funcione.
2. Antes de empotrar el lavavajillas, pegue la banda adhesiva transparente bajo el estante de madera para protegerlo de cualquier condensación que se pueda formar.
3. Coloque el lavavajillas de tal modo que los laterales o el panel trasero estén en contacto con los armarios adyacentes o la pared. Este aparato también se puede empotrar bajo una encimera independiente.
4. Para ajustar la altura de la pata trasera, haga girar el cojinete hexagonal rojo de la parte central inferior del frontal del lavavajillas con una llave hexagonal con una boca de 8 mm. Gire la llave hacia la derecha para incrementar la altura y hacia la izquierda para disminuirla.

DIMENSIONES Y CAPACIDAD:

ANCHO	598 mm
ALTO	820 mm
FONDO	555 mm
CAPACIDAD	14 servicios estándar

RESOLUCIÓN DE PROBLEMAS

Si su lavavajillas no funciona correctamente, compruebe si el problema se puede resolver revisando la siguiente lista. En caso de errores o problemas, póngase en contacto con nuestro Servicio Postventa, cuyos detalles de contacto puede encontrar en el folleto de la garantía. El fabricante garantiza la disponibilidad de las piezas de repuesto durante un mínimo de 10 años tras la fecha de fabricación de este aparato.

PROBLEMAS	CAUSAS POSIBLES	SOLUCIONES
☐ El indicador de la sal está encendido	El depósito de sal está vacío. (Una vez rellenado, el indicador de la sal puede permanecer encendido durante varios ciclos de lavado).	Llene el depósito con sal (para obtener más información, consulte la página 27). Ajuste la dureza del agua, consulte la tabla de la página 27.
☼ El indicador del abrillantador está encendido	El dispensador de abrillantador está vacío. (Una vez rellenado, el indicador del abrillantador puede permanecer encendido durante varios ciclos de lavado).	Llene el dosificador con abrillantador (para obtener más información, consulte la página 27).
El lavavajillas no se pone en marcha o no responde a las órdenes.	El aparato no está bien enchufado.	Introduzca el enchufe en la toma.
	Apagón.	Por razones de seguridad, el lavavajillas no se reiniciará automáticamente cuando se restablezca la alimentación eléctrica. Abra la puerta del lavavajillas, pulse el botón INICIO/PAUSA y cierre la puerta en un plazo de 4 segundos.
	La puerta del lavavajillas no está bien cerrada. La clavija CoolDry no está introducida.	Empuje fuerte la puerta hasta que oiga el «clic».
	Se interrumpe el ciclo al abrir la puerta durante > 4 segundos.	Pulse INICIO/PAUSA y cierre la puerta antes de 4 segundos.
El lavavajillas no responde a las órdenes. La pantalla muestra: El led de 9 o 12 y de Encendido/apagado parpadea rápidamente.	No responde a las órdenes. La pantalla muestra: El led de 9 o 12 y de Encendido/apagado parpadea rápidamente.	Apague el aparato pulsando el botón ENCENDIDO/APAGADO , vuélvalo a encender aproximadamente al cabo de un minuto y reinicie el programa. Si el problema persiste, desenchufe el aparato durante 1 minuto y vuelva a enchufarlo.
	El ciclo de lavado todavía no ha finalizado.	Espere a que el ciclo de lavado termine.
El lavavajillas no se vacía. El led de 3 y de Encendido/apagado parpadea rápidamente.	El tubo de desagüe está doblado.	Compruebe que el tubo de desagüe no esté doblado (<i>consulte las INSTRUCCIONES DE INSTALACIÓN</i>).
	El tubo de desagüe del fregadero está bloqueado.	Limpie el tubo de desagüe del fregadero.
	El filtro está obturado con restos de comida.	Limpie el filtro (<i>consulte la LIMPIEZA DEL CONJUNTO DE FILTRADO</i>).
El lavavajillas hace demasiado ruido.	Los artículos chocan entre ellos.	Coloque la vajilla correctamente (<i>consulte el LLENADO DEL LAVAVAJILLAS</i>).
	Se ha producido una cantidad de espuma excesiva.	El detergente no se ha dosificado correctamente o no es adecuado para lavavajillas (<i>consulte el LLENADO DEL DISPENSADOR DE DETERGENTE</i>). Restablezca el ciclo en curso apagando el lavavajillas, vuélvalo a encender, seleccione un nuevo programa, pulse INICIO/PAUSA y cierre la puerta en un plazo de 4 segundos. No añada detergente.
La vajilla no está limpia.	La vajilla no está bien colocada.	Coloque la vajilla correctamente (<i>consulte el LLENADO DEL LAVAVAJILLAS</i>).
	Los brazos aspersores no pueden girar libremente, obstaculizados por la vajilla.	Coloque la vajilla correctamente (<i>consulte el LLENADO DEL LAVAVAJILLAS</i>).
	El ciclo de lavado es demasiado suave.	Seleccione un ciclo de lavado adecuado (<i>consulte la TABLA DE PROGRAMAS</i>).
	Se ha producido una cantidad de espuma excesiva.	El detergente no se ha dosificado correctamente o no es adecuado para lavavajillas (<i>consulte el LLENADO DEL DISPENSADOR DE DETERGENTE</i>).
	El tapón del compartimento del abrillantador no se ha cerrado correctamente.	Compruebe que el tapón del dispensador de abrillantador esté cerrado.
	El filtro está sucio u obturado.	Limpie el conjunto de filtrado (<i>consulte CUIDADO Y MANTENIMIENTO</i>).
El lavavajillas no se llena de agua. El led de H, 6 y de Encendido/Apagado parpadea rápidamente	No hay sal.	Llene el depósito de sal (<i>consulte el LLENADO DEL DEPÓSITO DE SAL</i>).
	No hay entrada de agua o el grifo está cerrado.	Compruebe que haya suministro de agua o que el grifo esté abierto.
	La manguera de entrada está doblada.	Asegúrese de que la manguera de entrada no esté doblada (<i>consulte INSTALACIÓN</i>) vuelva a programar el lavavajillas y reinicie.
El lavavajillas finaliza el ciclo de forma prematura. El led de 15 y de Encendido/Apagado parpadea rápidamente	El tamiz de la manguera de entrada está obstruido; hay que limpiarlo.	Una vez comprobado y limpiado, apague y encienda el lavavajillas y reinicie un nuevo programa.
	El tubo de desagüe está demasiado bajo o bloquea el sistema de desagüe de la casa.	Compruebe si el extremo del tubo de desagüe está colocado a la altura correcta (<i>consulte INSTALACIÓN</i>). Compruebe si está obstruyendo el sistema de desagüe de la casa e instale una válvula de entrada de aire si es necesario.
	Aire en el suministro de agua.	Compruebe que el suministro de agua no tenga fugas o defectos que dejen entrar aire.

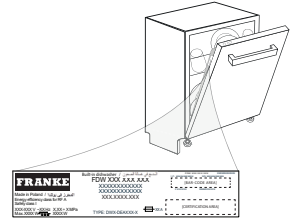
ASISTENCIA

En caso de problemas de funcionamiento, póngase en contacto con un Centro de Asistencia Técnica de Franke. No solicite nunca los servicios de técnicos no autorizados.

Indique:

- el tipo de fallo
- el modelo del aparato (art./código)
- el número de serie (S/N),

Cuando se ponga en contacto con el Servicio Postventa, tiene que proporcionar los códigos que figuran en la placa de características que se encuentra a la derecha o a la izquierda del interior de la puerta del lavavajillas.



La información del modelo puede consultarse a través del código QR de la etiqueta energética.

La etiqueta también contiene el identificador del modelo que puede usarse para consultar el portal del registro en <https://eprel.ec.europa.eu>.



WWW.FRANKE.COM

© Franke Technology and Trademark Ltd, Switzerland

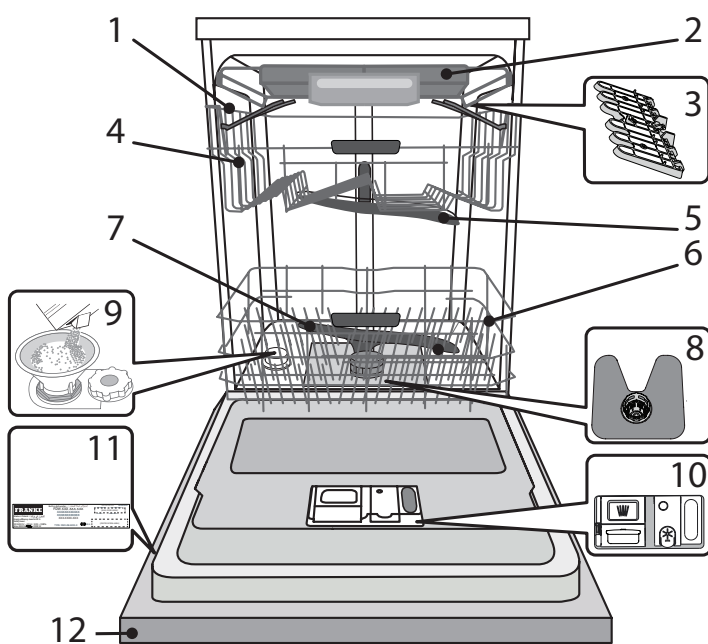
SOMMAIRE

APERÇU	37
PREMIÈRE UTILISATION	38
TABLEAU DES PROGRAMMES.....	39
OPTIONS ET FONCTIONS.....	40
CHARGEMENT DES PANIERS.....	41
UTILISATION QUOTIDIENNE.....	41
AVIS ET CONSEILS.....	42
NETTOYAGE ET MAINTENANCE.....	43
INSTALLATION.....	44
DÉPANNAGE.....	45
ASSISTANCE.....	46

MODE D'EMPLOI

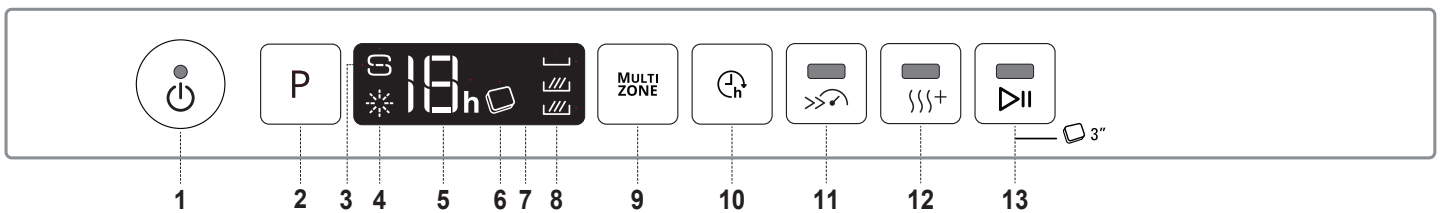
Avant d'utiliser l'appareil, lisez attentivement les Consignes de sécurité.

APERÇU



1. Panier supérieur
2. Compartiment à couvert
3. Volets pliables
4. Bouton de réglage de la hauteur du panier supérieur
5. Bras d'aspersion supérieur
6. Panier inférieur
7. Bras d'aspersion inférieur
8. Ensemble filtre
9. Réservoir à sel
10. Distributeurs de détergent et liquide de rinçage
11. Plaque signalétique
12. Panneau de commande

PANNEAU DE COMMANDE



1. Touche Marche-Arrêt/Réinitialisation avec le voyant
2. Sélecteur de programme
3. Voyant de niveau de sel
4. Voyant de niveau de liquide de rinçage
5. Numéro de programme et indicateur de temps de retard
6. Voyant Pastille
7. Affichage
8. Voyant Multizone
9. Touche Multizone
10. Touche Différé
11. Touche Turbo avec le voyant
12. Touche Extra Dry avec le voyant
13. Touche Départ/Pause avec le voyant/ Pastille


PREMIÈRE UTILISATION SEL, LIQUIDE DE RINÇAGE, ET DÉTERGENT

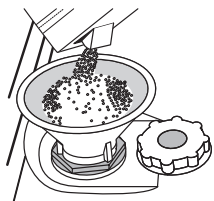
Après l'installation, enlevez les boulons d'arrêt sur les paniers et les éléments élastiques qui retiennent le panier supérieur.

REEMPLIR LE RÉSERVOIR DE SEL RÉGÉNÉRANT

L'utilisation de sel régénérant empêche la formation de CALCAIRE sur la vaisselle et sur les composantes fonctionnelles de l'appareil.

- Le **RÉSERVOIR DE SEL NE DOIT JAMAIS ÊTRE VIDE.**
- Il est important de régler la dureté de l'eau.

Le réservoir de sel est situé dans la partie inférieure du lave-vaisselle (voir **VUE D'ENSEMBLE**) et il doit être rempli quand le **voyant REMPLISSAGE DE SEL**  sur le panneau de commande est allumé.



1. Enlevez le panier inférieur et dévissez le bouchon du réservoir (sens antihoraire).
2. **La première fois uniquement, vous devez effectuer l'opération suivante : Remplissez d'eau le réservoir à sel.**
3. Placez l'entonnoir (voir figure) et remplissez le réservoir de sel jusqu'au bord (environ 1 kg); il est normal qu'un peu d'eau déborde.
4. **Enlevez l'entonnoir et essuyez les résidus de sel autour de l'ouverture.**

Assurez-vous que le bouchon est bien serré pour éviter que du détergent pénètre dans le réservoir durant le cycle de lavage (le réservoir pourrait s'endommager au point de ne plus être réparable).

Après chaque ajout de sel dans le réservoir, il est obligatoire de lancer immédiatement un cycle de lavage afin d'éviter toute corrosion de la cuve.

RÉGLER LA DURETÉ DE L'EAU

Pour que l'adoucisseur d'eau fonctionne à la perfection. Il est important de régler la dureté de l'eau aux conditions existantes dans votre lieu de résidence. Cette information peut être obtenue de votre fournisseur d'eau local.

L'usine règle la valeur par défaut de la dureté de l'eau.

- Allumer l'appareil en appuyant sur la touche MARCHE/ARRÊT.
- Éteindre l'appareil en appuyant sur la touche MARCHE/ARRÊT.
- Appuyer sur la touche P pendant 5 secondes ; un bip se fait entendre.
- Allumer l'appareil en appuyant sur la touche MARCHE/ARRÊT.
- Le numéro de la sélection actuelle et le voyant de niveau de sel clignotent.
- Appuyer sur la touche P pour sélectionner le niveau de dureté désiré (voir **TABLEAU DE DURETÉ DE L'EAU**).

Tableau de dureté de l'eau			
Niveau	°dH Degrés allemand	°fH Degrés français	°Clark Degrés anglais
1	Très douce	0 - 6	0 - 10
2	Moyenne	7 - 11	11 - 20
3	Douce	12 - 16	21 - 29
4	Dure	17 - 34	30 - 60
5	Très dure	35 - 50	61 - 90

- Éteindre l'appareil en appuyant sur la touche MARCHE/ARRÊT.

Le réglage est terminé !

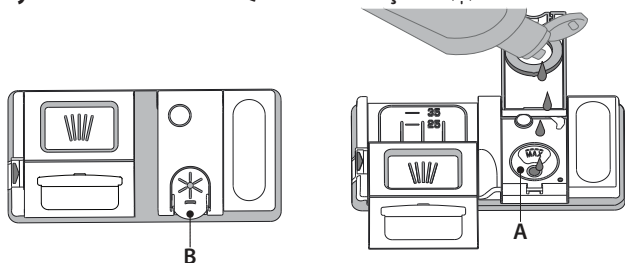
Une fois cette opération complétée, lancez un programme sans charger le lave-vaisselle.

Utilisez seulement le sel spécialement conçu pour les lavevaisselle.

Lorsque le sel est versé dans l'appareil, le voyant AJOUTER DU SEL s'éteint. **Si le contenant de sel n'est pas rempli, l'adoucisseur et l'élément chauffant peuvent être endommagés à cause de l'accumulation de calcaire. L'utilisation de sel est recommandée avec n'importe quel type de lessive pour lave-vaisselle.**

REEMPLIR LE DISTRIBUTEUR DE LIQUIDE DE RINÇAGE

Le liquide de rinçage permet à la vaisselle de SÉCHER plus facilement. Le distributeur de liquide de rinçage **A** devrait être rempli lorsque le **voyant de NIVEAU DE LIQUIDE DE RINÇAGE**  est allumé à l'écran.



1. Ouvrez le distributeur **B** en appuyant et en tirant sur l'onglet sur le couvercle.
2. Versez doucement du liquide de rinçage jusqu'à la marque de référence (110 ml) du réservoir de remplissage - évitez les débordements. Si cela se produit, nettoyez les dégâts immédiatement avec un linge sec.
3. Appuyez sur le bouchon pour le fermer; un clic se fait entendre.

Ne JAMAIS verser le liquide de rinçage directement dans la cuve.

AJUSTER LE DOSAGE DU LIQUIDE DE RINÇAGE

Si vous n'êtes pas complètement satisfait avec le séchage, vous pouvez ajuster la quantité de liquide de rinçage utilisée.

- Allumez le lave-vaisselle en utilisant la touche MARCHE/ARRÊT.
- Éteignez-le en utilisant la touche MARCHE/ARRÊT.
- Appuyez sur la touche P à trois reprises - vous entendrez un bip.
- Allumez-le en utilisant la touche MARCHE/ARRÊT.
- Le numéro du niveau de sélection actuelle et le voyant du niveau de liquide de rinçage clignotent.
- Appuyez sur la touche P pour sélectionner la quantité de liquide de rinçage qui doit être utilisée.
- Éteignez-le en utilisant la touche MARCHE/ARRÊT.

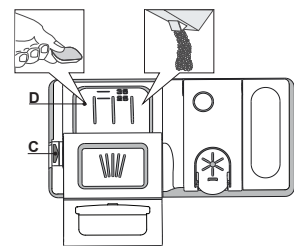
Le réglage est terminé !

Si le niveau de liquide de rinçage est à ZÉRO (ÉCO), il n'y aura pas de liquide de rinçage distribué. Dans ce cas, le voyant LIQUIDE DE RINÇAGE BAS ne s'allumera pas s'il ne reste plus de liquide de rinçage. Un maximum de 5 niveaux peuvent être réglés selon le modèle du lavevaisselle. Les réglages d'usine sont spécifiques au modèle, merci de suivre les instructions ci-dessus pour vérifier ceux qui s'appliquent à votre machine.

- Si vous observez des traces bleuâtres sur la vaisselle, placez sur un niveau plus bas (1-2).
- Si vous observez des gouttelettes d'eau ou des traces de calcaire sur la vaisselle, placez sur un niveau plus haut (3-4).

REEMPLIR LE DISTRIBUTEUR DE DÉTERGENT

L'utilisation d'un détergent non-conçu pour les lave-vaisselles peut provoquer un dysfonctionnement ou des dommages à l'appareil.



Pour ouvrir le distributeur de détergent, utilisez le dispositif d'ouverture C. Insérez le détergent dans le distributeur sec D seulement. Placez la quantité de détergent pour le pré-lavage directement dans la cuve.

1. Lorsque vous dosez le détergent, consultez les informations mentionnées précédemment pour ajuster la quantité correcte. À l'intérieur du distributeur **D** se trouvent des indications pour aider au dosage de la lessive.
2. Enlevez les résidus de détergent sur le bord des récipients avant de fermer le couvercle; un clic se fait entendre.
3. Fermez le couvercle du distributeur de détergent en le tirant vers le haut jusqu'à ce que le dispositif soit fermement en place.

Le distributeur de détergent s'ouvre automatiquement, au moment déterminé par le programme.

Si vous utilisez un détergent « tout-en-un », nous vous conseillons d'utiliser la touche **PASTILLE**, elle ajuste le programme de façon à toujours obtenir les meilleurs résultats de lavage et séchage.

TABLEAU DES PROGRAMMES

Programme		Séchage	CoolDry	Options disponibles *)	Durée du programme de lavage (h:min)**	Consommation d'eau (l/cycle)	Consommation d'énergie (kWh/cycle)
1. Éco	50°	✓	✓		3:10	9,5	0,85
2. Auto	50-60°	✓	✓	MULTI ZONE	1:25 - 3:00	7,0 - 14,0	0,90 - 1,40
3. Intensif	65°	✓	✓	MULTI ZONE	2:50	17,0	1,60
4. Lavage et séchage rapide	50°	✓	✓	MULTI ZONE	1:25	11,5	1,10
5. Cristal	45°	✓	✓	MULTI ZONE	1:40	12,0	1,20
6. Rapide 30'	45°	-	✓	MULTI ZONE	0:30	9,0	0,50
7. Silencieux	50°	✓	✓		3:30	16,0	1,15
8. Antibactérien	65°	✓	-		1:40	12,0	1,30
9. Prélavage	-	-	-	MULTI ZONE	0:12	4,5	0,01
10. Autonettoyant	65°	-	-		0:50	8,0	0,85

Les données du programme Éco sont mesurées sous des conditions en laboratoire conformément à la norme européenne EN 60436:2020. Aucun prétraitement de la vaisselle n'est nécessaire avant l'un quelconque des programmes.

*) Les options ne peuvent pas toutes être utilisées en même temps.

**) Les valeurs indiquées pour des programmes différents du programme Éco sont fournies à titre indicatif uniquement. Le temps réel peut varier selon des facteurs comme la température et la pression de l'eau, la température de la pièce, la quantité de détergent, la quantité et le type de vaisselle, l'équilibre de la charge, les options supplémentaires sélectionnées, et la calibration du capteur. La calibration du capteur peut augmenter la durée du programme jusqu'à 20 minutes.

DESCRIPTION DES PROGRAMMES

Consignes pour la sélection du cycle de lavage.

1 ÉCO

Le programme Eco est adapté pour nettoyer la vaisselle normalement sale. Pour cette utilisation, c'est le programme qui a une consommation d'eau et d'énergie la plus optimale. Il est utilisé pour évaluer la conformité à la législation européenne en matière d'éco-conception.

2 AUTO

Pour la vaisselle normalement sale avec des résidus de nourriture secs. Détermine le degré de saleté de la vaisselle et règle le programme en fonction de celui-ci.

3 INTENSIF

Programme conseillé pour une vaisselle très sale, particulièrement adapté pour les poêles et les casseroles (ne pas utiliser avec la vaisselle délicate).

4 LAVAGE ET SÉCHAGE RAPIDE

Vaisselle sale. Cycle quotidien, assure un rendement de nettoyage optimal et des performances de séchage en moins de temps.

5 CRISTAL

Programme pour la vaisselle délicate, plus sensible aux températures élevées, comme les verres et les tasses.

6 RAPIDE 30'

Programme à utiliser pour la demi-charge de vaisselle légèrement sale sans résidus alimentaires séchés. N'a pas de phase de séchage.

7 SILENCIEUX

Adéquat lorsque l'appareil fonctionne la nuit. Assure un nettoyage et des performances de séchage optimaux avec les plus faibles émissions de bruit.

8 ANTIBACTÉRIEN

Vaisselle sale ou très sale, avec lavage antibactérien supplémentaire. Peut être utilisé pour effectuer l'entretien du lave-vaisselle.

9 PRÉLAVAGE

Utilisez ce programme pour rafraîchir la vaisselle qui sera lavée plus tard. N'utilisez pas de détergent avec ce programme.

10 AUTONETTOYANT

Programme à utiliser pour effectuer l'entretien du lave-vaisselle, à réaliser uniquement lorsque le lave-vaisselle est VIDE en utilisant des détergents spécifiques conçus pour l'entretien du lave-vaisselle.

Remarques :





Il convient de noter que le cycle *Rapide 30'* est destiné uniquement à la vaisselle légèrement sale.

OPTIONS ET FONCTIONS

Les OPTIONS peuvent être sélectionnées directement en appuyant sur la touche correspondante (voir PANNEAU DE COMMANDE). Si une option n'est pas compatible avec le programme sélectionné (voir TABLEAU DES PROGRAMMES), le voyant correspondant clignote 3 fois et un bip se fait entendre. La fonction n'est pas activée.

MULTI MULTIZONE

S'il n'y a pas beaucoup de vaisselle à laver, la demi-charge peut être utilisée pour économiser de l'eau, de l'électricité, et du détergent. Sélectionnez un programme et appuyez ensuite sur la touche MULTIZONE : le symbole du panier sélectionné s'affiche à l'écran. Par défaut, l'appareil lave la vaisselle sur tous les paniers. Pour seulement laver la vaisselle sur un panier particulier, appuyez plusieurs fois sur cette touche:

-  s'affiche à l'écran (panier inférieur seulement)
-  s'affiche à l'écran (panier supérieur seulement)
-  s'affiche à l'écran (compartiment à couvert seulement)
-  s'affiche à l'écran (l'option est ÉTEINTE et l'appareil lave la vaisselle sur tous les paniers).

Chargez seulement le panier supérieur ou inférieur, et réduisez la quantité de détergent en conséquence. Si le panier supérieur est enlevé, appliquez le détergent directement dans la cuve au lieu du distributeur de détergent.

DIFFÉRÉ

Le début du programme peut être retardé pour une période entre 1 et 12 heures.

1. Appuyez sur la touche DIFFÉRÉ : le symbole «h» correspondant apparaît sur l'écran ; chaque fois que vous appuyez sur la touche, le temps (1 heure, 2 heures, etc. jusqu'à un max de 12 heures) avant le début du cycle de lavage augmente.
2. Sélectionnez le programme de lavage, appuyez sur le bouton DÉPART/Pause et dans les 4 secondes, fermez la porte : la minuterie commencera le compte à rebours.
3. Une fois le temps écoulé, le voyant «h» s'éteint et le cycle de lavage démarre.

Pour ajuster le délai et sélectionner une période de temps plus courte, appuyez sur la touche DIFFÉRÉ. Pour l'annuler, appuyez sur la touche à plusieurs reprises pour éteindre le voyant «h» de départ différé sélectionné.

La fonction DIFFÉRÉ ne peut pas être modifiée lorsque le programme est en cours.

TURBO

Cette option permet de réduire la durée des programmes principaux tout en conservant les niveaux de rendement du lavage et du séchage.

Après avoir sélectionné le programme, appuyez sur la touche TURBO et le voyant s'illumine. Appuyez de nouveau sur la touche pour annuler l'option.

EXTRA DRY

Pour améliorer le séchage de la vaisselle, après avoir sélectionné le programme, appuyez sur la touche EXTRA DRY et le voyant s'illumine. Une température plus élevée lors du dernier rinçage et une phase de séchage plus longue permet d'améliorer le séchage. Appuyez de nouveau sur la touche pour annuler l'option. L'option EXTRA DRY prolonge le cycle de lavage.

PASTILLE

Ce réglage vous permet d'optimiser le rendement du programme selon le type de détergent utilisé.

Appuyez sur la touche DÉPART/Pause pendant 3 secondes (le symbole correspondant s'illumine) si vous utilisez un détergent sous la forme d'une pastille (liquide de rinçage, sel, et détergent en une seule dose).

Si vous utilisez un détergent en poudre ou liquide, cette option devrait être éteinte.

INDICATEUR DE FONCTIONNEMENT

Un voyant LED projeté sur le sol indique que le lave-vaisselle fonctionne. Un des modes de fonctionnement suivant peut être sélectionné :

- a) Fonction désactivée.
- b) Lorsque que le cycle est lancé, le voyant s'illumine quelques secondes; il reste éteint durant le cycle, et clignote à la fin du cycle.
- c) Le voyant reste allumé durant le cycle et clignote à la fin du cycle (mode par défaut).

Si le Départ différé est sélectionné, le voyant s'illumine durant les premières secondes, ou pour la durée du compte à rebours, selon que le mode b) ou c) ait été réglé.

Le voyant s'éteint chaque fois que la porte est ouverte. Pour sélectionner votre mode préféré, allumez l'appareil, appuyez sur la touche **P** jusqu'à ce qu'une des trois lettres apparaisse à l'écran, appuyez sur la touche **P** pour afficher la lettre (mode) désirée, et appuyez de nouveau sur la touche **P** pour confirmer votre sélection.

Remarque : si CoolDry est activé et ouvre la porte, l'indicateur de fonctionnement ne clignotera pas à la fin du cycle.

CoolDry

CoolDry est un système de séchage à convection qui ouvre automatiquement la porte pendant/après la phase de séchage pour assurer une performance de séchage exceptionnelle chaque jour. La porte s'ouvre à la température qui est sûre pour les meubles de votre cuisine, donc la porte ne sera pas ouverte quand l'option TURBO sera activée.

A titre de protection supplémentaire contre la vapeur, un adhésif anti-vapeur spécifiquement conçu est livré avec le lave-vaisselle. Pour voir comment poser cet adhésif, consulter le (GUIDE D'INSTALLATION).

La fonctionnalité CoolDry pourrait être désactivée par l'utilisateur comme suit:

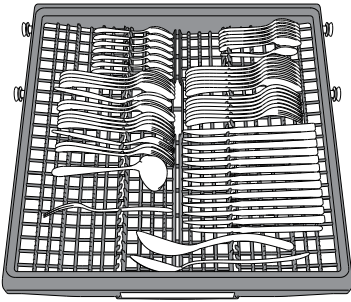
1. Allez au menu de logiciel du lave-vaisselle en appuyant et en maintenant le bouton **P** (6 sec).
2. Vous êtes actuellement dans le Menu Contrôle lumineux (consultez la description INDICATEUR DE FONCTIONNEMENT) si vous ne voulez rien changer, appuyez sur le bouton **P** et maintenez-le enfoncé (jusqu'à ce que l'une des deux lettres apparaisse sur l'écran).
3. Vous passez au Menu de contrôle CoolDry, vous pouvez changer d'état de la fonctionnalité CoolDry en appuyant sur le bouton **P**:

E – activé **d** – désactivé

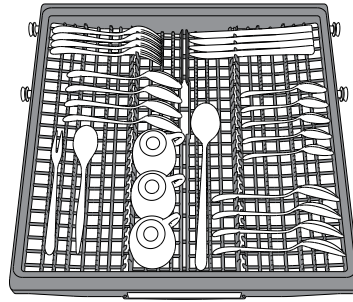
Pour confirmer le changement et sortir du Menu de Contrôle, appuyer sur le bouton **P** et le maintenir enfoncé (3 sec).

CHARGEMENT DES PANIERS

COMPARTIMENT À COUVERT



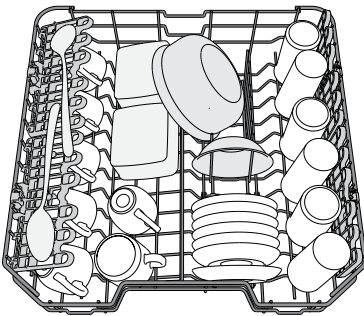
Le troisième panier a été conçu pour contenir les couverts. Placez les couverts comme illustré sur le dessin ci-contre. Séparer les couverts facilite le rangement après le cycle de lavage et améliore les programmes de lavage et de séchage.



Les couteaux et autres ustensiles avec des bords tranchants doivent être placés dans le panier à couverts avec la pointe vers le bas.

La géométrie du panier permet de placer des petits articles comme les tasses à cafés dans l'espace au centre.

PANIER SUPÉRIEUR



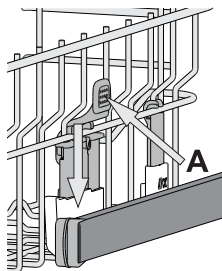
Chargez la vaisselle délicate et légère: verres, tasses, soucoupes, saladiers bas.

(exemple de chargement du panier supérieur)

AJUSTER LA HAUTEUR DU PANIER SUPÉRIEUR

Vous pouvez ajuster la hauteur du panier supérieur : position élevée pour placer la vaisselle encombrante sur le panier inférieur et éviter les chocs avec le panier supérieur ; en créant plus d'espace en hauteur.

Le panier supérieur comprend un dispositif de réglage de la hauteur (voir figure). Sans appuyer sur les leviers, soulevez simplement le panier supérieur en le tenant par les côtés jusqu'à ce qu'il soit stable en position élevée. Pour abaisser le panier, appuyez sur les leviers **A** sur les côtés du panier et déplacez-le vers le bas.



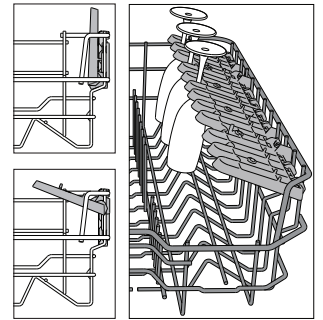
Nous vous conseillons fortement de ne pas ajuster la hauteur du panier lorsqu'il est chargé. Ne JAMAIS soulever ou abaisser un seul côté du panier.

VOLETS PLIABLES AVEC POSITIONS AJUSTABLES

Les volets pliables latéraux peuvent être pliés ou dépliés afin d'optimiser la disposition de la vaisselle à l'intérieur du panier.

Les verres de vin peuvent être placés de façon sécuritaire dans les volets pliables en insérant le pied de chaque verre dans la fente correspondante. Selon le modèle :

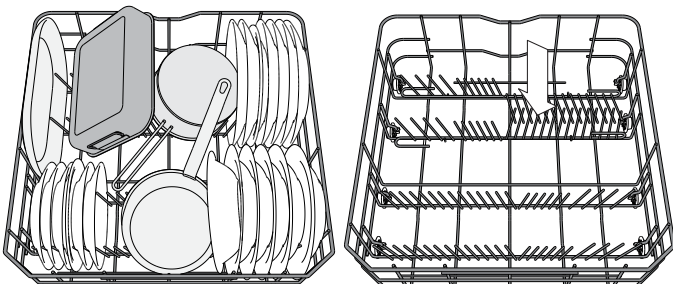
- pour déplier les volets, il est nécessaire de les coulisser vers le haut et de les tourner ou de les libérer des fixations et de les tirer vers le bas.
- pour replier les volets, il est nécessaire de les tourner et de les faire coulisser vers le bas ou de les tirer vers le haut et de les accrocher aux fixations.



PANIER INFÉRIEUR

Pour les poêles, les couvercles, les plats, les saladiers, les couverts, etc. Les grands plats et les grands couvercles devraient être placés sur le côté pour éviter qu'ils n'entravent le fonctionnement des bras d'aspersion.

Le panier inférieur comprend des supports rabattables qui peuvent être placés en position verticale pour charger des assiettes, ou en position horizontale (bas) pour faciliter le chargement des casseroles et des saladiers.



(exemple de chargement du panier inférieur)

UTILISATION QUOTIDIENNE

1. VÉRIFIER LE BRANCHEMENT DE L'EAU

Assurez-vous que l'appareil est raccordé à un réseau d'alimentation et que le robinet de l'eau est ouvert.

2. ALLUMER LE LAVE-VAISSELLE

Ouvrez la porte et appuyez sur la touche MARCHE/ARRÊT.

3. CHARGER LES PANIERS (voir CHARGEMENT DES PANIERS)

4. REMPLIR LE DISTRIBUTEUR DE DÉTERGENT

5. CHOISIR LE PROGRAMME ET PERSONNALISER LE CYCLE

Sélectionnez le meilleur programme selon le type de vaisselle et le niveau de saleté (voir DESCRIPTION DES PROGRAMMES) en appuyant sur la touche P.

Sélectionnez les options désirées (voir OPTIONS ET FONCTIONS).

6. DÉMARRER

Démarrez le cycle de lavage en appuyant sur la touche DÉPART/ Pause (le témoin est allumé) et en fermant la porte dans les 4 secondes.

Quand le programme démarre, vous entendez un bip simple.

Si la porte n'a pas été fermée dans les 4 secondes, le signal d'alarme est activé. Dans ce cas, ouvrez la porte, appuyez sur le bouton DÉPART/ Pause et fermez de nouveau la porte dans les 4 sec.

7. FIN DU CYCLE DE LAVAGE

La fin du cycle de lavage est indiquée par des bips et par le clignotement de l'indicateur de cycle de lavage sur le panneau et de la lumière sur le sol (si activé). Ouvrez la porte et éteignez l'appareil en appuyant sur la touche MARCHE/ARRÊT.

Pour éviter de vous brûler, attendez quelques minutes avant de retirer la vaisselle. Déchargez les paniers en commençant par le panier inférieur.

L'appareil s'éteint automatiquement durant des périodes d'inactivité prolongées pour réduire la consommation d'énergie. Si la vaisselle est légèrement sale ou si elle a été rincée avec à l'eau avant d'être placée dans le lave-vaisselle, réduisez la quantité de détergent utilisée en conséquence.

MODIFICATION D'UN PROGRAMME EN COURS

Si vous avez sélectionné le mauvais programme, vous pouvez le changer, à condition que ce soit fait au tout début du cycle: ouvrir la porte, appuyer sur la touche MARCHE/ARRÊT et le maintenir enfoncé, la machine s'éteindra.

Rallumez l'appareil en appuyant sur la touche MARCHE/ARRÊT et sélectionnez le nouveau cycle de lavage et les options désirées ; lancer le cycle en appuyant sur la touche DÉPART/ Pause et en fermant la porte dans les 4 sec.

AJOUT DE VAISSELLE SUPPLÉMENTAIRE

Sans éteindre la machine, ouvrir la porte (Le voyant DÉPART/ Pause commencera à clignoter) (**attention à la vapeur CHAUDE !**) Placer la vaisselle à l'intérieur du lave-vaisselle. Appuyer sur la touche DÉPART/ Pause et fermer la porte dans les 4 sec, le cycle reprendra à l'endroit où il a été interrompu.

INTERRUPTIONS ACCIDENTELLES

Si la porte est ouverte pendant le cycle de lavage, ou s'il y a une coupure de courant, le cycle s'arrête. Pour reprendre le cycle à l'endroit où il a été interrompu, appuyer sur la touche DÉPART/ Pause et fermer la porte dans les 4 sec.

AVIS ET CONSEILS

CONSEILS

Avant de charger les paniers, enlevez tous les résidus de nourriture sur la vaisselle et videz les verres. **Vous n'avez pas besoin de rincer la vaisselle avant de la placer dans le lave-vaisselle.**

Placez la vaisselle pour qu'elle tienne bien en place et ne risque pas de tomber; et placez les récipients avec les ouvertures vers le bas et les parties concaves/convexes de côté pour permettre à l'eau d'atteindre toutes les surfaces et couler librement.

Avertissement : Avertissement : Vérifiez que les couvercles, poignées et poêle à frire n'empêchent pas les bras d'aspersion de tourner librement. Placez les petits articles dans le panier à couvert. La vaisselle et les casseroles très sales devraient être placées sur le panier inférieur car les jets d'eau sont plus forts dans cette section et permet un meilleur rendement lors du lavage. Après avoir chargé l'appareil, assurez-vous que les bras d'aspersion peuvent bouger librement.

ASTUCES SUR L'ÉCONOMIE D'ÉNERGIE

Lorsque le lave-vaisselle domestique est utilisé conformément aux instructions du fabricant, **le lavage de la vaisselle dans un lave-vaisselle consomme habituellement MOINS D'ÉNERGIE et d'eau que le lavage à la main.**

Afin d'optimiser l'efficacité du lave-vaisselle, il est recommandé de **débuter le cycle de lavage une fois que le lave-vaisselle est totalement chargé.** Le chargement du lave-vaisselle domestique jusqu'à la capacité indiquée par le fabricant contribuera à économiser de l'énergie et de l'eau. Vous trouverez des informations sur le chargement correct de la vaisselle dans le chapitre CHARGEMENT DES PANIERS.

En cas de chargement partiel, il est recommandé d'utiliser des options de lavage spécifiques si elles sont disponibles (Multizone), en remplissant uniquement les paniers sélectionnés. Un chargement incorrect ou une surcharge du lave-vaisselle peut augmenter l'utilisation des ressources (telles que l'eau, l'énergie et le temps, et augmenter le niveau de bruit), en réduisant les performances de nettoyage et de séchage.

Un pré-rinçage manuel des éléments de vaisselle provoque une augmentation de la consommation d'eau et d'énergie et n'est pas recommandé.

HYGIÈNE

Pour éviter les odeurs et les dépôts qui pourraient s'accumuler dans le lave-vaisselle, **lancer un programme à haute température au moins une fois par mois.** Utilisez une cuillère à café de détergent et lancer le programme sans vaisselle pour nettoyer l'appareil.

VAISSELLE QUI NE CONVIENT PAS

Vaisselle ne pouvant être lavée dans un lave-vaisselle :

- Casseroles et vaisselle en bois : elles peuvent s'abîmer à cause des températures de lavage élevées;
- Objets d'artisanat : ils peuvent rarement être lavés dans un lave-vaisselle. Les températures relativement élevées de l'eau et les détergents utilisés peuvent les endommager;
- Vaisselle en plastique : la vaisselle en plastique résistant à la chaleur doit être lavée dans le panier supérieur;
- Vaisselle et objets en cuivre, étain, zinc et laiton : elle tend à se tacher;
- Argenterie : la vaisselle en argent peut se tacher;
- Verre et cristal : les objets en verre et en cristal peuvent généralement être lavés dans un lave-vaisselle. Cependant, il existe certains types de verre et de cristal qui deviennent opaques et qui perdent leur transparence après de nombreux lavages ; pour ce type de matériaux, nous conseillons de toujours utiliser le programme le moins agressif du tableau des programmes;
- Vaisselle avec des décorations : les objets décorés se trouvant dans le commerce ont généralement une bonne résistance aux lavages dans les lave-vaisselle, même s'il peut arriver que leurs couleurs pâlisent après des lavages fréquents. En cas de doute sur la résistance des couleurs, il est opportun de laver peu de pièces à la fois pendant environ un mois.

VERRES ET VAISSELLE ENDOMMAGÉS

- Seulement utiliser des verres ou de la porcelaine qui sont lavables au lave-vaisselle conformément aux recommandations du fabricant.
- Utilisez un détergent doux, adéquat pour la vaisselle
- Retirez les verres et les couverts du lave-vaisselle aussitôt que le cycle de lavage est terminé.

NETTOYAGE ET MAINTENANCE

Toujours débrancher l'appareil pour le nettoyer et effectuer de l'entretien. N'utilisez pas de liquides inflammables pour nettoyer l'appareil.

NETTOYER LE LAVE-VAISSELLE

Les marques sur les côtés de l'appareil peuvent être enlevées en utilisant un linge humide, de l'eau, et un peu de vinaigre.

Les surfaces externes de l'appareil et le panneau de contrôle peuvent être nettoyés en utilisant un linge non abrasif humide. N'utilisez pas de solvants ou de produits abrasifs.



PRÉVENIR LES MAUVAISES ODEURS

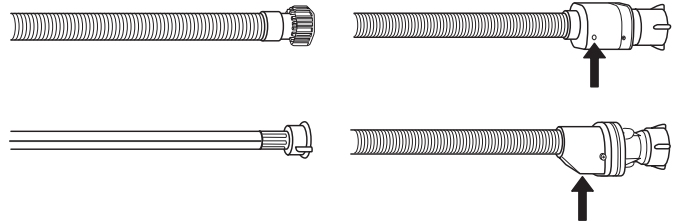
Gardez toujours la porte de l'appareil entrouverte pour éviter que la moisissure ne se forme et ne s'accumule à l'intérieur de l'appareil. Nettoyez régulièrement les joints autour de la porte et des distributeurs de détergent en utilisant une éponge humide. Ainsi, les résidus de nourriture ne s'accumuleront pas dans les joints (principale cause de la formation de mauvaises odeurs).

NETTOYER LE TUYAU D'ARRIVÉE D'EAU

Si les tuyaux d'eau sont neufs ou s'ils n'ont pas été utilisés depuis longtemps, laissez l'eau couler pour vous assurer qu'il n'y a pas d'impureté ou de saleté avant de les brancher. Si vous n'effectuez pas cette opération, l'arrivée d'eau pourrait se boucher et endommager le lave-vaisselle.

VÉRIFIER LE TUYAU D'ALIMENTATION D'EAU

Vérifiez régulièrement le tuyau d'arrivée pour déceler de la friabilité et des fissures. S'il est endommagé, remplacez-le avec un nouveau tuyau disponible auprès de notre Service Après-vente ou votre détaillant spécialisé. Selon le type de tuyau:



Si le tuyau d'arrivée a un revêtement transparent, vérifiez si la couleur est plus prononcée à certains endroits. Si c'est le cas, il pourrait y avoir une fuite et il doit être remplacé.

Pour les tuyaux d'arrêt d'eau : vérifiez la petite fenêtre d'inspection de la soupape de sécurité (voir la flèche). Si elle est rouge, la fonction d'arrêt d'eau a été déclenchée et le tuyau doit être remplacé avec un nouveau. Pour dévisser ce tuyau, appuyez le bouton déclencheur tout en dévissant le tuyau.

NETTOYER L'ENSEMBLE FILTRE

Nettoyez régulièrement l'ensemble filtre pour éviter qu'il ne se bouche et pour permettre aux eaux usées de bien s'éliminer.

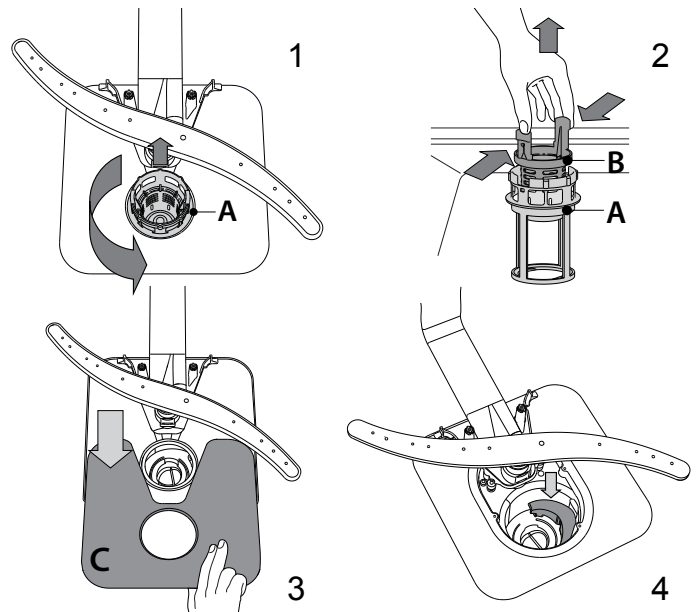
L'utilisation du lave-vaisselle avec des filtres obstrués ou des corps étrangers à l'intérieur du système de filtration ou des bras de lavage peut provoquer un dysfonctionnement du lave-vaisselle en réduisant l'efficacité de lavage, en augmentant le bruit de fonctionnement et la consommation d'électricité.

L'ensemble filtre comprend trois filtres qui séparent les résidus de nourriture de l'eau de lavage pour ensuite faire circuler l'eau.

N'utilisez pas le lave-vaisselle sans les filtres ou si un filtre est mal ajusté.

Au moins une fois par mois ou tous les 30 cycles, vérifiez l'assemblage du filtre et si nécessaire, nettoyez-le minutieusement sous l'eau courante, en utilisant une brosse non-métallique et en suivant les instructions ci-dessous :

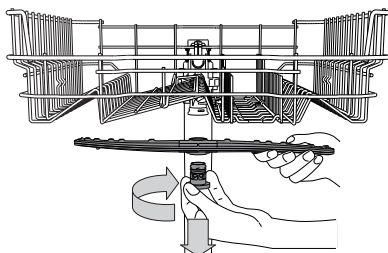
1. Tournez le filtre cylindrique **A** dans le sens antihoraire et retirez-le (Fig. 1).
2. Enlevez le panier du filtre **B** en appliquant une légère pression sur les volets latéraux (Fig. 2).
3. Retirez la plaque du filtre en acier inoxydable **C** (Fig. 3).
4. Si vous trouvez des objets étrangers (comme du verre brisé, de la porcelaine, des os, des pépins de fruits, etc), enlevez-les minutieusement.
5. Inspecter la cavité et enlever les résidus de nourriture. **NE JAMAIS ENLEVER** la protection de la pompe du cycle de lavage (détails en couleur noir) (Fig 4).



Après avoir nettoyé les filtres, assemblez de nouveau l'ensemble filtre et remettez-le en place correctement; c'est très important pour que le lave-vaisselle garde son efficacité.

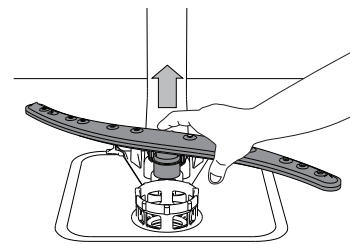
NETTOYER LES BRAS D'ASPERSION

À l'occasion, des résidus de nourriture s'incrustent dans les bras d'aspersion et bloquent les trous utilisés pour asperger de l'eau. Il est donc conseillé de vérifier les bras de temps en temps et de les nettoyer avec une petite brosse non métallique.



Pour enlever le gicleur supérieur, tournez l'anneau de verrouillage en plastique dans le sens horaire. Le bras d'aspersion supérieur doit être replacé de façon que le côté avec le plus grand nombre de trous est placé vers le haut.

Le bras d'aspersion inférieur peut être enlevé en le tirant vers le haut.



SYSTÈME ADOUCISSEUR D'EAU

L'adoucisseur d'eau réduit automatiquement la dureté de l'eau, en empêchant ainsi la formation de calcaire sur la résistance, et en contribuant également à une meilleure performance de nettoyage.

Ce système se régénère avec du sel, il est donc nécessaire de remplir le bac de sel lorsqu'il est vide.

La fréquence de régénération dépend du réglage du niveau de dureté de l'eau - la régénération a lieu une fois tous les 6 cycles Eco avec

un niveau de dureté de l'eau réglé à 3.

Le processus de régénération débute lors du rinçage final et se termine en phase de séchage avant la fin du cycle.

- Une régénération simple consomme : ~3,5 L d'eau ;
- Prend jusqu'à 5 minutes supplémentaires pour le cycle ;
- Consomme moins de 0,005 kWh d'énergie.

INSTALLATION

Si l'appareil doit être déplacé à un moment ou un autre, gardez-le en position debout; si c'est absolument nécessaire, il peut être incliné vers l'arrière.

BRANCHER L'ALIMENTATION D'EAU

Lors de l'installation, le branchement de l'alimentation d'eau doit être effectué par un technicien qualifié.

Les tuyaux d'arrivée et de sortie d'eau peuvent être placés vers la gauche ou la droite dans le but d'obtenir la meilleure installation.

Assurez-vous que le lave-vaisselle ne plie pas ou n'écrase pas les tuyaux.

BRANCHER LE TUYAU D'ARRIVÉE D'EAU

- Faire couler l'eau jusqu'à ce qu'elle soit parfaitement claire.
- Vissez le tuyau d'alimentation en place et ouvrez le robinet.

Si le tuyau d'alimentation n'est pas assez long, contactez un magasin spécialisé ou un technicien agréé.

La pression d'eau doit être entre les valeurs indiquées dans le tableau des données techniques - sinon le lave-vaisselle ne fonctionnera pas bien. Assurez-vous que le tuyau n'est pas plié ou écrasé.

CARACTÉRISTIQUES POUR LE BRANCHEMENT DU TUYAU D'ALIMENTATION D'EAU :

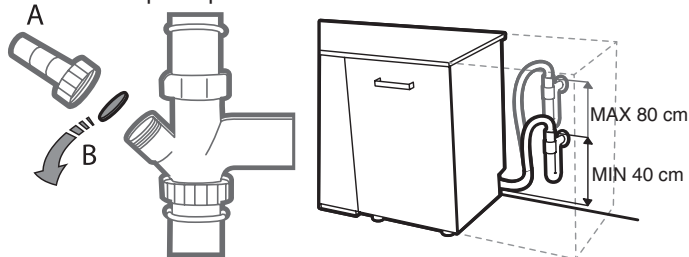
ALIMENTATION D'EAU	chaud ou froid (max. 60°C)
ARRIVÉE D'EAU	3/4"
PUISSANCE DE LA PRESSION D'EAU	0,05 ÷ 1 MPa (0.5 ÷ 10 bars) 7,25 – 145 psi

BRANCHER LE TUYAU DE SORTIE D'EAU

Branchez le tuyau de sortie à un conduit de drainage qui a un diamètre d'au moins 2 cm **A**.

La connexion du tuyau de sortie doit se trouver à une hauteur variant entre 40 et 80 cm du plancher ou de la surface sur laquelle le lave-vaisselle est installé.

Avant de brancher le tuyau de sortie à l'évier, assurez-vous d'enlever le bouchon de plastique **B**.



DISPOSITIF ANTI-REFOULEMENT

Dispositif anti-refoulement. Pour éviter les inondations, le lave-vaisselle : - est muni d'un système spécial qui bloque l'alimentation d'eau en cas de problème ou de fuites à l'intérieur de l'appareil.

Certain modèles sont aussi munis du dispositif de sécurité supplémentaire **Nouveau Arrête de l'Eau**, qui garantit une protection anti-refoulement en cas de bris du tuyau d'alimentation. Le tuyau d'arrivée d'eau ne doit jamais être coupé, il comprend des pièces électrique sous tension.

ELECTRICAL CONNECTION

⚡ WARNING: Under no circumstances should the water inlet hose be cut as it contains live electrical parts.

Before inserting the plug into the electrical socket, make sure that:

- The socket is **earth** \perp and complies with current regulations;
- The socket can withstand the maximum load of the appliance as shown on the data plate located on the inside of the door (see *OVERVIEW*).
- The power supply voltage falls within the values indicated on the data plate on the inside of the door.
- The socket is compatible with the plug of the appliance.

Si ce n'est pas le cas, demandez à un technicien qualifié de remplacer la fiche (*voir ASSISTANCE*). N'utilisez ni rallonge, ni multiprise. Une fois que l'appareil est installé, le câble d'alimentation électrique et la prise de courant doivent être facilement accessibles.

Le câble ne doit pas être plié ou écrasé.

Si le câble d'alimentation électrique est endommagé, demandé au fabricant ou un Centre d'assistance technique de le remplacer pour éviter de possibles dangers.

L'entreprise décline toute responsabilité en cas d'incident si ces règles ne sont pas observées.

POSITIONNEMENT ET NIVELAGE


1. Placez le lave-vaisselle sur un plancher solide et au niveau. Si le plancher est inégale, les supports avant de l'appareil peuvent être ajustés pour atteindre la bonne position horizontale. Si l'appareil est bien nivelé, il sera plus stable et moins enclin à ce déplacer ou vibrer et faire du bruit lors du fonctionnement.
2. Avant d'encaster le lave-vaisselle, collez la pellicule adhésive transparente sous la tablette de bois afin de la protéger de la condensation qui pourrait se former.
3. Placez le lave-vaisselle de façon à ce que les panneaux latéraux ou le panneau arrière soient en contact avec les meubles ou le mur adjacent. Cet appareil peut aussi être encastré sous un comptoir.
4. Pour ajuster la hauteur du support arrière, tournez la douille hexagonale rouge située sur la partie centrale inférieure à l'avant du lave-vaisselle en utilisant une clé hexagonale avec une ouverture de 8 mm. Tournez la clé dans le sens horaire pour le soulever et dans le sens antihoraire pour l'abaisser.

DIMENSIONS ET CAPACITÉ :

LARGEUR	598 mm
HAUTEUR	820 mm
PROFONDEUR	555 mm
CAPACITÉ	14 couverts standards

DÉPANNAGE

Si votre lave-vaisselle ne fonctionne pas correctement, vérifiez si le problème peut être résolu en suivant la liste ci-après. Pour d'autres erreurs ou problèmes, contactez le Service après-vente agréé dont les coordonnées peuvent être trouvées dans le livret de garantie. Le fabricant assure la disponibilité des pièces détachées pendant au moins 10 ans après la date de production de cet appareil.

PROBLÈMES	CAUSES POSSIBLES	SOLUTIONS
 L'indicateur de sel est allumé	Le réservoir de sel est vide. (Après le remplissage, il est possible que le voyant du niveau de sel régénérant ne s'éteigne qu'au bout de plusieurs cycles de lavage).	Remplissez le réservoir de sel régénérant (pour plus d'informations, reportez-vous à la page 38). Réglez la dureté de l'eau - reportez-vous au tableau de la page 38.
 Le voyant de liquide de rinçage est allumé	Le distributeur de liquide de rinçage est vide. (Après le remplissage, il est possible que le voyant du niveau de liquide de rinçage ne s'éteigne qu'au bout de plusieurs cycles de lavage).	Remplissez le distributeur de liquide de rinçage (pour plus d'informations, reportez-vous à la page 38).
Le lave-vaisselle ou les commandes ne fonctionnent pas.	L'appareil n'est pas bien branché.	Insérez la fiche dans la prise de courant.
	Panne de courant.	Pour des raisons de sécurité, le lave-vaisselle ne redémarrera pas automatiquement lors du retour de l'alimentation électrique. Ouvrez la porte du lave-vaisselle, appuyez sur le bouton DÉPART/Pause, et fermez la porte dans les 4 secondes.
	La porte du lave-vaisselle n'est pas fermée. La tige du système CoolDry n'est pas rentrée.	Poussez vigoureusement la porte pour entendre le « clic ».
	Le cycle est interrompu par une ouverture de la porte supérieure à 4 secondes.	Appuyer sur DÉPART/Pause et fermer la porte dans les 4 secondes
	Les commandes ne fonctionnent pas. L'afficheur indique : 9 ou 12 et le voyant MARCHE/ARRÊT clignote rapidement.	Éteindre l'appareil en appuyant sur la touche MARCHE/ARRÊT , rallumez-le environ une minute après, et recommencer le programme. Si le problème persiste, débranchez l'appareil pendant 1 minute, puis rebranchez-le.
Le lave-vaisselle ne se vidange pas. L'afficheur indique : 3 et le voyant MARCHE/ARRÊT clignote rapidement.	Le cycle de lavage n'est pas encore terminé.	Attendre que le cycle se termine.
	Le tuyau de vidange est plié.	Assurez-vous que le tuyau de vidange n'est pas plié (voir <i>CONSIGNES D'INSTALLATION</i>).
	Le conduit de vidange de l'évier est bouché.	Nettoyez le conduit de vidange de l'évier.
	Le filtre est bouché par des résidus de nourriture.	Nettoyez le filtre (voir <i>NETTOYAGE DE L'ENSEMBLE FILTRE</i>).
Le lave-vaisselle fait beaucoup de bruit.	La vaisselle s'entrechoque.	Remplacez la vaisselle (voir <i>CHARGEMENT DES PANIERS</i>).
	Il y a une trop grande quantité de mousse.	Le détergent a été mal mesuré ou il n'est pas adéquat pour les lave-vaisselle (voir <i>REEMPLIR LE DISTRIBUTEUR DE DÉTERGENT</i>). Relancez le cycle en cours en éteignant le lave-vaisselle, puis en le rallumant, sélectionnez un nouveau programme, appuyez sur DÉPART/Pause et fermez la porte dans les 4 secondes. Merci de ne pas ajouter de détergent.
La vaisselle n'est pas propre.	La vaisselle n'est pas bien placée.	Remplacez la vaisselle (voir <i>CHARGEMENT DES PANIERS</i>).
	Les bras d'aspersion ne bougent pas librement, ils sont gênés par la vaisselle.	Remplacez la vaisselle (voir <i>CHARGEMENT DES PANIERS</i>).
	Le cycle de lavage est trop délicat.	Sélectionnez le cycle de lavage approprié (voir <i>TABLEAU DES PROGRAMMES</i>).
	Il y a une trop grande quantité de mousse.	Le détergent a été mal mesuré ou il n'est pas adéquat pour les lave-vaisselle (voir <i>REEMPLIR LE DISTRIBUTEUR DE DÉTERGENT</i>).
	Le bouchon du compartiment de liquide de rinçage n'est pas bien fermé.	Assurez-vous que le bouchon du distributeur de liquide de rinçage est fermé.
	Le filtre est sale ou bouché.	Nettoyez l'ensemble de filtre (voir <i>NETTOYAGE ET ENTRETIEN</i>).
	Il n'y a pas de sel.	Remplir le réservoir de sel (voir <i>REEMPLIR LE RÉSERVOIR DE SEL</i>).
L'eau n'arrive pas au lave-vaisselle. L'afficheur indique : H, 6 et le voyant MARCHE/ARRÊT clignote rapidement.	L'alimentation d'eau est vide ou le robinet est fermé.	Assurez-vous qu'il y a de l'eau dans le circuit d'alimentation ou que le robinet est ouvert.
	Le tuyau d'arrivée est plié.	Assurez-vous que le tuyau d'entrée n'est pas plié (voir <i>INSTALLATION</i>) reprogrammez le lave-vaisselle et relancez-le.
	Le tamis dans le tuyau d'arrivée d'eau est obstrué ; il est nécessaire de le nettoyer.	Après avoir complété la vérification et le nettoyage, éteignez et rallumez le lave-vaisselle et redémarrez le programme.
Le lave-vaisselle termine le cycle prématurément. L'afficheur indique : 15 et le voyant MARCHE/ARRÊT clignote rapidement.	Le tuyau de vidange est positionné trop bas ou se vide dans le système d'évacuation domestique.	Vérifiez si l'extrémité du tuyau de vidange est placée à la hauteur correcte (voir <i>INSTALLATION</i>). Vérifiez la vidange dans le système d'évacuation domestique, installez une vanne d'admission d'air si nécessaire.
	De l'air est présent dans l'alimentation en eau.	Vérifiez si l'alimentation en eau présente des fuites ou d'autres problèmes laissant entrer de l'air.

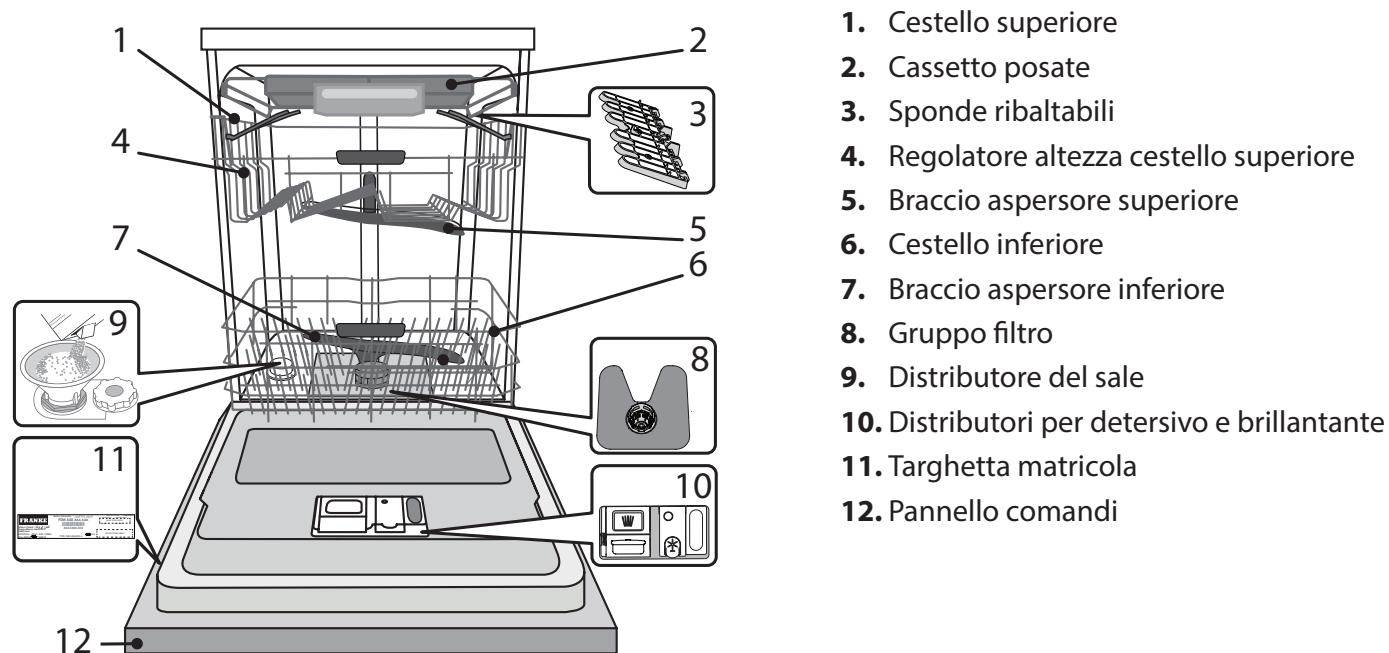
SOMMARIO

DESCRIZIONE GENERALE	48
PRIMO UTILIZZO	49
TABELLA DEI PROGRAMMI	50
OPZIONI E FUNZIONI.....	51
CARICAMENTO DEI CESTELLI	52
USO QUOTIDIANO.....	53
AVVISI E CONSIGLI	53
PULIZIA E MANUTENZIONE	54
INSTALLAZIONE.....	55
RISOLUZIONE DEI PROBLEMI.....	56
ASSISTENZA.....	57

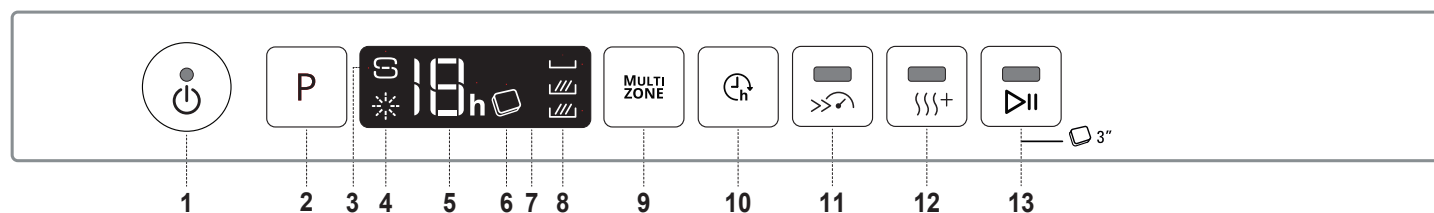
GUIDA UTENTE

Prima di utilizzare l'apparecchio, leggere attentamente le Istruzioni per la sicurezza.

DESCRIZIONE GENERALE



PANNELLO COMANDI



1. Tasto Accensione-Spegnimento/Ripristino e relativa spia
2. Tasto di selezione programmi
3. Indicatore di riempimento del sale
4. Indicatore di riempimento del brillantante
5. Numero programma e indicatore di durata del ritardo
6. Spia Pastiglia

7. Display
8. Spia Multizone
9. Tasto Multizone
10. Tasto di avvio ritardato
11. Tasto Turbo e relativa spia
12. Tasto Extra Dry e relativa spia
13. Tasto AVVIO/Pausa e relativa spia / Pastiglia

PRIMO UTILIZZO SALE, BRILLANTANTE E DETERSIVO

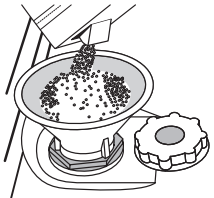
Dopo aver completato l'installazione, togliere i fermi dai cestelli e gli elementi elastici di ritegno dal cestello superiore.

RIFORMIMENTO DEL SERBATOIO DEL SALE

L'uso di sale previene la formazione di CALCARE sulla superficie dei piatti e sui componenti della macchina.

- È indispensabile che **IL SERBATOIO DEL SALE SIA SEMPRE RIFORMITO**.
- È essenziale quindi che il livello di durezza dell'acqua sia stato impostato.

Il serbatoio del sale è situato nella parte inferiore della lavastoviglie (vedere DESCRIZIONE PRODOTTO) e deve obbligatoriamente essere rifornito ogni volta che la spia dell' **indicatore di RIEMPIMENTO SALE**  posta sul pannello comandi è illuminata.



1. Togliere il cestello inferiore e svitare il tappo del serbatoio (ruotare in senso antiorario).
2. **Solo la prima volta: riempire d'acqua il serbatoio del sale.**
3. Sistemare opportunamente l'imbuto (vedere figura) e rifornire il serbatoio del sale fino all'orlo (circa 1 kg); Non è inconsueto che l'acqua trabocchi leggermente.
4. **Togliere l'imbuto ed eliminare qualsiasi residuo di sale dall'areacircostante l'apertura.**

Accertarsi che il tappo sia adeguatamente serrato per evitare l'ingresso di detersivo all'interno della vaschetta durante il programma di lavaggio (ciò potrebbe causare il danneggiamento del dispositivo addolcente senza possibilità di riparazione).

Ogni volta che è necessario aggiungere sale, è obbligatorio eseguire la procedura prima dell'inizio del ciclo di lavaggio per evitare rischi di corrosione.

IMPOSTAZIONE DELLA DUREZZA DELL'ACQUA

Per consentire che il dispositivo addolcente dell'acqua agisca al meglio, è essenziale che l'impostazione del livello di durezza dell'acqua tenga conto della sua durezza effettiva nell'utenza domestica. È possibile ottenere il valore di durezza dell'acqua nell'utenza domestica rivolgendosi al proprio fornitore.

Il valore predefinito per la durezza dell'acqua viene impostato in fabbrica.

- Azionare l'apparecchio agendo sul tasto ACCENSIONE/SPEGNIMENTO.
- Disattivare l'apparecchio agendo sullo stesso tasto ACCENSIONE/SPEGNIMENTO.
- Tenere premuto il tasto P per 5 secondi, fino a udire il segnale corrispondente.
- Azionare l'apparecchio agendo sul tasto ACCENSIONE/SPEGNIMENTO.
- Il numero corrispondente al livello di selezione corrente e l'indicatore di livello del sale lampeggiano entrambi.
- Premere il tasto P per selezionare il livello di durezza dell'acqua richiesto (vedere TABELLA DEI LIVELLI DI DUREZZA DELL'ACQUA).

Tabella di durezza dell'acqua				
	Livello	°dH Gradi tedeschi	°fH Gradi francesi	°Clark Gradi inglesi
1	Dolce	0 - 6	0 - 10	0 - 7
2	Moderatamente dolce	7 - 11	11 - 20	8 - 14
3	Medio	12 - 16	21 - 29	15 - 20
4	Dura	17 - 34	30 - 60	21 - 42
5	Molto dura	35 - 50	61 - 90	43 - 62

- Disattivare l'apparecchio agendo sullo stesso tasto ACCENSIONE/SPEGNIMENTO.

La procedura di impostazione è stata completata!

Non appena completata tale procedura, avviare uno dei programmi senza carico.

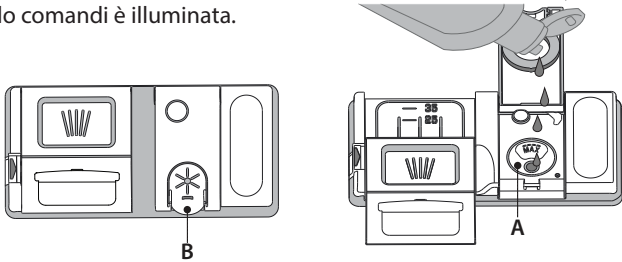
Utilizzare soltanto sale di tipo specifico per lavastoviglie.

Dopo aver versato il sale all'interno della macchina, la spia riempimento SALE si spegne.

La mancanza di sale nel serbatoio potrebbe danneggiare l'addolcitore d'acqua e la resistenza per effetto dell'accumulo di calcare. L'uso del sale è consigliato con qualsiasi tipo di detersivo per lavastoviglie.

RIEMPIMENTO DEL DISTRIBUTORE BRILLANTANTE

L'utilizzo di brillantante facilita il processo di ASCIUGATURA delle stoviglie. Il distributore di brillantante **A** deve essere riempito ogni volta che a spia dell' **indicatore di RIEMPIMENTO BRILLANTANTE**  sul pannello comandi è illuminata.



1. Aprire il distributore **B** esercitando opportuna pressione e quindi sollevando la linguetta posta sul coperchio.
2. Versare delicatamente il brillantante fino al segno che indica il livello di riferimento massimo (110 ml), ma evitandone la fuoriuscita. Nel caso in cui ciò si verifici, asciugare immediatamente il liquido fuoriuscito mediante un panno asciutto.
3. Abbassare il coperchio fino ad avvertire lo scatto che ne segnala la chiusura.

Non versare MAI il brillantante direttamente all'interno della vaschetta.

REGOLAZIONE DEL DOSAGGIO DI BRILLANTANTE

Se non si è completamente soddisfatti del processo di asciugatura, è possibile regolare la quantità di brillantante da utilizzare.

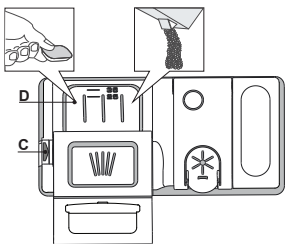
- Azionare la lavastoviglie agendo sul tasto ACCENSIONE/SPEGNIMENTO.
- Disattivare la lavastoviglie utilizzando lo stesso tasto ACCENSIONE/SPEGNIMENTO.
- Premere tre volte il tasto P: si avverte il segnale corrispondente.
- Azionare la lavastoviglie mediante il tasto ACCENSIONE/SPEGNIMENTO.
- Il numero corrispondente alla selezione corrente e la spia del brillantante lampeggiano entrambi.
- Premere sul tasto P per impostare il livello di brillantante corrispondente alla quantità richiesta.
- Disattivare utilizzando il tasto ACCENSIONE/SPEGNIMENTO.

La procedura di impostazione è stata completata!

Nel caso in cui il livello di brillantante sia impostato su ZERO (ECO), il brillantante non viene erogato. A seconda del modello di lavastoviglie è possibile impostare al massimo 5 livelli di dosaggio. Le impostazioni di fabbrica dipendono dal modello; seguire le istruzioni precedenti in base alle caratteristiche del proprio apparecchio.

- In presenza di strisce con sfumature blu sulla superficie dei piatti, impostare un livello di dosaggio basso (1-2).
- In presenza di gocce d'acqua o di calcare sulla superficie dei piatti impostare invece dosaggi alti (3-4)..

RIEMPIMENTO DEL DISTRIBUTORE DETERSIVO



L'uso di un detersivo non specifico per lavastoviglie potrebbe causare malfunzionamenti o danni all'apparecchio.

Per aprire il distributore detersivo utilizzare il dispositivo di apertura C. Versare il detersivo esclusivamente nel distributore D asciutto. Mettere le dosi di detersivo per il prelavaggio direttamente all'interno del distributore.

1. Per il dosaggio corretto del detersivo fare riferimento ai dati sopra riportati. La vaschetta **D** contiene indicatori di livello per facilitare il dosaggio del detersivo.
2. Eliminare eventuali residui di detersivo dai bordi del distributore e chiudere il coperchio fino ad avvertire lo scatto caratteristico.
3. Chiudere il coperchio del distributore sollevandolo fino a portare il dispositivo di chiusura in sede.

Il distributore del detersivo si apre automaticamente quando previsto dal programma in uso.

TABELLA DEI PROGRAMMI

Programma	Fase di asciugatura	CoolDry	Opzioni disponibili *)	Durata programma di lavaggio (h:min)**	Consumo d'acqua (litri/ciclo)	Consumo energetico (kWh/ciclo)	
1. Eco	50°	✓	✓		3:10	9,5	0,85
2. Auto	50-60°	✓	✓	MULTI ZONE	1:25 - 3:00	7,0 - 14,0	0,90 - 1,40
3. Intensivo	65°	✓	✓	MULTI ZONE	2:50	17,0	1,60
4. Lavaggio rapido e asciugatura	50°	✓	✓	MULTI ZONE	1:25	11,5	1,10
5. Cristalli	45°	✓	✓	MULTI ZONE	1:40	12,0	1,20
6. Rapido 30'	45°	-	✓	MULTI ZONE	0:30	9,0	0,50
7. Silenzioso	50°	✓	✓		3:30	16,0	1,15
8. Antibatterico	65°	✓	-		1:40	12,0	1,30
9. Prelavaggio		-	-	MULTI ZONE	0:12	4,5	0,01
10. Autopulente	65°	-	-		0:50	8,0	0,85

La misurazione dei dati per la creazione del programma ECO avviene in condizioni di laboratorio secondo quanto prescritto dalle norme europee EN 60436:2020.

Questi programmi non richiedono un pre-trattamento delle stoviglie.

*) Non è possibile selezionare tutte le opzioni contemporaneamente.

**) Ad eccezione del programma Eco, i valori riportati per gli altri programmi sono puramente indicativi.

La durata effettiva può dipendere da molti fattori, quali la temperatura e la pressione dell'acqua di alimentazione, la temperatura ambiente, la dose di detersivo utilizzata, la quantità e il tipo di carico e il suo bilanciamento, la selezione di determinate opzioni e la taratura dei sensori. La taratura dei sensori può prolungare la durata dei programmi anche di 20 minuti.

DESCRIZIONE DEI PROGRAMMI

Istruzioni per selezionare il ciclo di lavaggio.

1 ECO

Il programma Eco è indicato per le stoviglie mediamente sporche; è il programma più efficiente in termini di consumo combinato di acqua ed energia per questo tipo di stoviglie e viene usato per valutare la conformità dell'apparecchio alla legislazione UE in materia di progettazione ecocompatibile.

2 AUTO

Per piatti con sporco normale e residui secchi di cibo. Rileva il livello di sporco delle stoviglie e seleziona il programma adeguato.

3 INTENSIVO

Programma consigliato per stoviglie molto sporche, particolarmente indicato per padelle e tegami (non adatto per oggetti delicati).

4 LAVAGGIO RAPIDO E ASCIUGATURA

Stoviglie normalmente sporche. Ciclo quotidiano; permette di ottenere risultati di lavaggio e asciugatura ottimali in un tempo inferiore.

5 CRISTALLI

Programma adatto a oggetti delicati, più sensibili alle temperature elevate, ad esempio bicchieri e tazze.

6 RAPIDO 30'

Programma indicato per un mezzo carico di stoviglie poco sporche e prive di residui secchi. Non è prevista una fase di asciugatura.

7 SILENZIOSO

Adatto al funzionamento nelle ore notturne. Permette di ottenere risultati di lavaggio e asciugatura ottimali con una minima emissione sonora.

8 ANTIBATTERICO

Sporco normale e molto sporco, con azione antibatterica supplementare. Ciclo utilizzabile per la manutenzione della lavastoviglie.

9 PRELAVAGGIO

Da utilizzare per sciacquare le stoviglie da lavare successivamente. Questo programma non richiede detersivo.

10 AUTOPULENTE

Programma da utilizzare per la manutenzione della lavastoviglie; deve essere eseguito solo con l'apparecchio VUOTO e usando un detersivo specifico per la manutenzione della lavastoviglie.

Note:

Il ciclo Rapido 30' è indicato per stoviglie poco sporche.

OPZIONI E FUNZIONI

È possibile selezionare le varie OPZIONI premendo direttamente il tasto corrispondente (vedi PANNELLO COMANDI). In caso di opzione non compatibile con il programma selezionato (vedere la TABELLA DEI PROGRAMMI), il LED corrispondente lampeggia 3 volte in rapida successione ed emette i previsti segnali acustici. L'opzione non è in tal caso abilitata.

MULTI MULTIZONE

Nel caso in cui i piatti da lavare siano pochi, per limitare il consumo di acqua, elettricità e detersivo si può utilizzare il programma Mezzo carico.

Selezionare il programma richiesto e quindi premere il tasto MULTIZONE: sul display compare il simbolo del cestello prescelto. Come sua impostazione predefinita, l'apparecchio esegue il lavaggio in tutti i cestelli.

Per il lavaggio esclusivamente di un cestello in particolare, premere ripetutamente il tasto in questione:



indicato nel display (cestello inferiore soltanto)



indicato nel display (cestello superiore soltanto)



indicato nel display (cestello portaposate soltanto)



indicato nel display (l'opzione è impostata su Spegnimento e l'apparecchio esegue il lavaggio per tutti i cestelli).

Ricordarsi di riempire soltanto i cestelli superiore e inferiore e di ridurre conseguentemente la dose di detersivo.

Se il cestello superiore viene rimosso, introdurre il detersivo direttamente nell'apparecchio anziché nell'apposita vaschetta.



AVVIO RITARDATO

È possibile ritardare l'avvio del programma per un tempo compreso tra **1 e 12** ore.

1. Premere il tasto AVVIO RITARDATO: sul display appare il simbolo «h» corrispondente; a ogni pressione del tasto aumenta l'intervallo di tempo (1 h, 2 h, ecc. fino a un massimo di 12 h) tra il momento in cui si seleziona il programma e l'avvio del ciclo di lavaggio selezionato.
2. Selezionare il programma di lavaggio, premere il tasto AVVIO/PAUSA e chiudere la porta entro 4 secondi: il timer inizia il conto alla rovescia.
3. Una volta trascorso il tempo impostato, l'indicatore «h» si spegne e inizia il ciclo di lavaggio.

Per regolare il tempo di avvio ritardato e selezionare un intervallo di tempo inferiore a quello impostato, premere il tasto AVVIO RITARDATO. Per annullare l'impostazione premere ripetutamente il tasto fino allo spegnimento dell'indicatore «h».

Una volta avviato il ciclo di lavaggio, non è più possibile impostare la funzione di avvio ritardato.



TURBO

L'opzione consente di ridurre la durata dei principali programmi ma di mantenere la stessa qualità nelle prestazioni di lavaggio e asciugatura.

Dopo aver selezionato il programma richiesto, premere il tasto TURBO: la corrispondente spia si illumina. Per deselegionare l'opzione in questione premere nuovamente lo stesso tasto.



EXTRA DRY

Per migliorare l'asciugatura dei piatti, dopo aver selezionato il programma richiesto premere il tasto EXTRA DRY: la corrispondente spia si illumina.

Una temperatura superiore durante il risciacquo finale e la maggiore durata del programma consentono una migliore asciugatura. Per deselegionare l'opzione in questione premere nuovamente lo stesso tasto. L'opzione EXTRA DRY comporta una maggior durata del ciclo di lavaggio.



PASTIGLIA

Questa impostazione permette di ottimizzare le prestazioni del programma in base al tipo di detersivo usato.

Se si utilizzano più detersivi in forma di unica pastiglia (brillantante, sale e detersivo in 1 dose) premere per 3 secondi il tasto AVVIO/PAUSA (insieme al simbolo corrispondente).

In caso di utilizzo di detersivo in polvere o in forma liquida, l'opzione in oggetto deve essere disattivata.



SPIA FUNZIONAMENTO

La luce di un LED proiettata sul pavimento segnala che la lavastoviglie è in funzione. È possibile selezionare una delle seguenti modalità di funzionamento:

- a) Funzione disattivata
- b) All'avvio del ciclo di lavaggio la spia si illumina per pochi secondi, rimane spenta per tutta la durata del ciclo e lampeggia alla sua conclusione.
- c) La spia rimane illuminata durante il ciclo di lavaggio e lampeggia alla sua conclusione (modalità predefinita).

A seconda che sia stata impostata la modalità b) oppure c), in caso di impostazione del programma di avvio ritardato la spia si illumina rispettivamente per pochi secondi e per l'intera durata del conto alla rovescia. La spia si spegne a ogni apertura della porta. Per selezionare la modalità richiesta, azionare la macchina e tenere premuto il tasto **P** fino a visualizzare tre lettere sul display: premere ripetutamente il tasto **P** fino a selezionare la lettera (o la modalità) richiesta, quindi tenere premuto il tasto **P** per confermare la selezione impostata.

Nota: Se il sistema CoolDry è attivo e apre la porta, la spia di funzionamento non lampeggerà alla fine del ciclo.

CoolDry

CoolDry è una funzione di asciugatura a convezione che apre automaticamente la porta durante/dopo la fase di asciugatura per garantire stoviglie perfettamente asciutte dopo ogni lavaggio. La porta può essere aperta quando la temperatura è tale da non poter danneggiare i mobili della cucina; ciò significa che non si apre se è attiva l'opzione TURBO.

Come ulteriore protezione dal vapore, la lavastoviglie viene fornita con una speciale lamina di protezione aggiuntiva. Per istruzioni sul montaggio della lamina protettiva, vedere le (ISTRUZIONI PER L'INSTALLAZIONE).

La funzionalità CoolDry può essere disabilitata come segue:

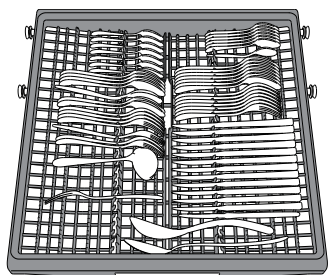
1. Accedere al menu del software della lavastoviglie premendo a lungo il tasto **P** (6 secondi).
2. Viene aperto il menu Controllo Luce (vedere la descrizione della SPIA FUNZIONAMENTO); se non si desidera modificare le impostazioni correnti, premere a lungo il tasto **P** (finché una delle due lettere compare sul display).
3. Quando si passa al menu Controllo CoolDry, è possibile cambiare lo stato della funzionalità CoolDry premendo il tasto **P**:

E – funzione abilitata **d** – funzione disabilitata

Per confermare la modifica e uscire dal menu CoolDry Control, premere a lungo il tasto **P** (3 secondi).

CARICAMENTO DEI CESTELLI

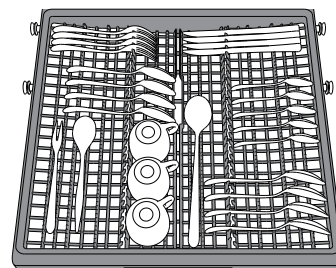
CASSETTO POSATE



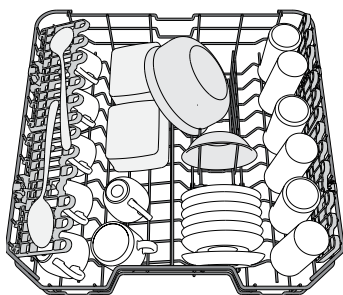
Il terzo cestello è stato progettato per alloggiare le posate durante il lavaggio. Diporre le posate come illustrato nella figura. La possibilità di sistemare le posate a parte ne rende più semplice la raccolta dopo il lavaggio e migliora le prestazioni sia nella fase di lavaggio che in quella di asciugatura.

Coltelli e altri utensili con bordi affilati devono essere sistemati con le lame rivolte verso il basso.

La geometria del cestello prevede anche la possibilità di alloggiare oggetti di piccole dimensioni, come nel caso delle tazzine da caffè per le quali è adibita la zona centrale.



CESTELLO SUPERIORE



Riporvi i piatti poco resistenti e le stoviglie delicate: vetri, tazze, piattini, insalatiere dai bordi bassi

(esempio di carico del cestello superiore)

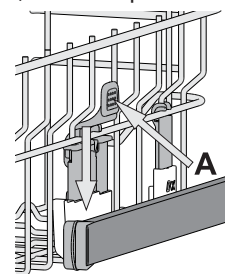
REGOLAZIONE IN ALTEZZA DEL CESTELLO SUPERIORE

È possibile regolare del cestello superiore nel senso dell'altezza: la posizione rialzata consente di sfruttare al massimo il cestello inferiore per riporvi le stoviglie di dimensioni ingombranti, mentre la posizione ribassata consente di utilizzare le sponde ribaltabili creando lo spazio che esse richiedono e di evitare urti con gli oggetti caricati nel cestello inferiore. Il cestello superiore è munito di **regolatore in altezza** (vedere figura) che non richiede pressione sulle leve; sollevarlo tenendolo per i lati, non appena si trovi in posizione rialzata.

Per ripristinare la posizione ribassata, agire sulle leve **A** poste ai lati del cestello e abbassare il cestello.

Si raccomanda vivamente di non procedere alla regolazione in altezza di cestelli già caricati.

Non rialzare o ribassare MAI il cestello agendo su un lato soltanto.



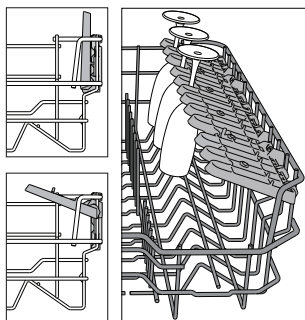
SPONDE RIBALTABILI CON POSIZIONE REGOLABILE

Le sponde ribaltabili laterali possono essere estese o ripiegate per ottimizzare la disposizione delle stoviglie nel cestello.

Si possono disporre i bicchieri da vino nelle sponde ribaltabili in modo assolutamente sicuro, inserendone lo stelo negli appositi spazi.

In base al modello:

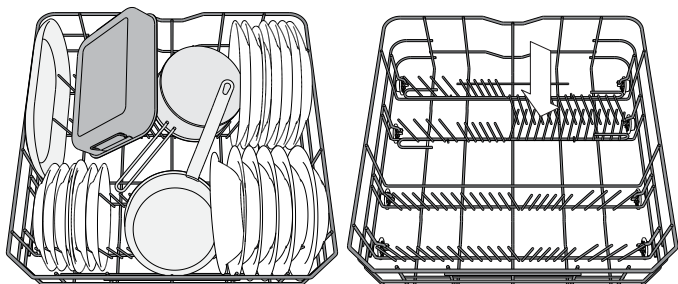
- per estendere le sponde occorre farle scorrere verso l'alto e ruotarle oppure sganciarle dai fermi e abbassarle.
- per ripiegare le sponde occorre ruotarle e farle scorrere verso il basso oppure sollevarle e agganciarle ai fermi.



CESTELLO INFERIORE

Per pentole, coperchi, piatti, insalatiere, stoviglie, ecc. In teoria conviene disporre piatti e coperchi di grandi dimensioni ai lati, per evitare interferenze con l'elemento aspersione.

Il cestello inferiore è munito di sponde ribaltabili da utilizzare in posizione verticale per la migliore sistemazione dei piatti oppure in posizione orizzontale (abbassata) per consentire il facile carico di scodelle e recipienti per alimenti.



(esempio di carico del cestello superiore)

USO QUOTIDIANO

1. VERIFICA DEL COLLEGAMENTO ALLA RETE IDRICA

Verificare che la lavastoviglie sia collegata alla rete idrica e che il rubinetto dell'acqua sia aperto.

2. AZIONAMENTO DELLA LAVASTOVIGLIE

Aprire la porta e premere il tasto **ACCENSIONE/SPEGNIMENTO**.

3. CARICAMENTO DEI CESTELLI (vedere CARICAMENTO DEI CESTELLI).

4. RIEMPIMENTO DEL DISTRIBUTORE DETERATIVO

5. SELEZIONARE IL PROGRAMMA E ADATTARE IL CICLO SECONDO NECESSITÀ

Selezionare il programma più adatto in base al tipo di stoviglie e alla quantità di sporco in essi presente (vedere la DESCRIZIONE DEI PROGRAMMI) premendo sul tasto P.

Selezionare le opzioni richieste (vedere OPZIONI E FUNZIONI).

6. AVVIO

Avviare il ciclo di lavaggio premendo il tasto **AVVIO/Pausa** (il LED si accenderà) e chiudere la porta entro 4 secondi. All'avvio del programma viene emesso un segnale acustico. Se la porta non viene chiusa entro 4 sec. viene emesso il suono di allarme. In questo caso, aprire la porta, premere il tasto **AVVIO/Pausa** e richiudere la porta entro 4 sec.

7. FINE DEL CICLO DI LAVAGGIO

La fine del ciclo di lavaggio è indicata da segnali acustici e dal lampeggio dell'indicatore del ciclo di lavaggio sul pannello e dalla luce sul pavimento (se attivata). Aprire la porta e spegnere l'apparecchio premendo il tasto **ACCENSIONE/SPEGNIMENTO**.

Per evitare bruciature, prima di togliere le stoviglie attendere pochi minuti. Scaricare i cestelli, iniziando da quello inferiore.

La macchina si disattiva automaticamente nel corso di determinati periodi di inattività prolungata, al fine di ridurre al minimo il consumo di elettricità.

Se le stoviglie sono soltanto leggermente sporche oppure sono state risciacquate prima di essere poste nella lavastoviglie, ridurre in proporzione la dose di detersivo da utilizzare.

MODIFICA DI UN PROGRAMMA IN CORSO

Nel caso in cui sia stato selezionato il programma sbagliato, è possibile cambiarlo a condizione che sia appena iniziato: aprire lo sportello e premere a lungo il tasto **ACCENSIONE/SPEGNIMENTO**; l'apparecchio si spegnerà.

Azionare nuovamente la macchina agendo sul tasto **ACCENSIONE/SPEGNIMENTO** e selezionare il nuovo ciclo di lavaggio con qualsiasi opzione richiesta; Avviare il ciclo di lavaggio premendo il tasto **AVVIO/Pausa** (il LED si accende) e chiudere la porta entro 4 secondi.

AGGIUNTA DI ALTRE STOVIGLIE

Senza spegnere l'apparecchio, aprire la porta (il LED **AVVIO/Pausa** inizia a lampeggiare) (**fare attenzione al vapore MOLTO CALDO!**) e introdurre le stoviglie. Premere il tasto **AVVIO/Pausa** e chiudere lo sportello entro 4 secondi; il ciclo riprenderà dal punto in cui era stato interrotto.

INTERRUZIONI ACCIDENTALI

In caso di apertura della porta o di interruzione dell'alimentazione elettrica durante un ciclo di lavaggio, il ciclo si interrompe. Premere il tasto **AVVIO/Pausa** e chiudere lo sportello entro 4 secondi; il ciclo riprenderà dal punto in cui era stato interrotto.

AVVISI E CONSIGLI

CONSIGLI

Prima di caricare i cestelli, eliminare tutti i residui di cibo dalle stoviglie e vuotare i bicchieri. **Non occorre il risciacquo sotto acqua corrente prima del caricamento.**

Sistemare le stoviglie in modo che rimangano in sede e non si possano ribaltare; e sistemare le vaschette con le aperture rivolte verso il basso e le parti concave/complesse disposte obliquamente, per consentire all'acqua di lavaggio di raggiungere ogni superficie e scorrervi liberamente.

Avvertenza: coperchi, maniglie, vassoi e padelle non devono ostacolare la rotazione degli aspersori.

Riporre tutti gli oggetti di piccole dimensioni nel cestello portaposate.

Quando molto sporche, riporre piatti e pentole nel cestello inferiore poiché nel relativo settore gli aspersori svolgono un'azione più intensa e consentono migliori prestazioni nel lavaggio.

Una volta completata la procedura di carico, accertarsi che gli aspersori possano ruotare liberamente.

CONSIGLI PER IL RISPARMIO ENERGETICO

- Se la lavastoviglie viene usata secondo le istruzioni del produttore, **il lavaggio delle stoviglie a macchina comporta normalmente un MINORE CONSUMO DI ENERGIA e acqua rispetto al lavaggio a mano.**
- Per ottimizzare l'efficienza della lavastoviglie si raccomanda di **avviare il ciclo di lavaggio con l'apparecchio a pieno carico.** Caricando la lavastoviglie fino alla capacità indicata dal produttore si contribuirà a ridurre i consumi d'acqua e di energia. Per informazioni sul caricamento corretto delle stoviglie, leggere la sezione CARICAMENTO DEI CESTELLI. In caso di carico parziale, si raccomanda di usare le apposite opzioni di lavaggio, se disponibili (Mezzo carico/ Zone Wash/ Multizona), caricando solo i cestelli selezionati. Un caricamento non corretto o eccessivo della lavastoviglie può aumentare il consumo di risorse (acqua, energia e tempo, oltre a una maggiore rumorosità) e ridurre le prestazioni di lavaggio e asciugatura.
- Il pre-risciacquo delle stoviglie comporta un maggiore consumo di acqua ed energia e non è consigliato.

IGIENIZZANTE

Per evitare la formazione di cattivi odori e sedimenti vari all'interno della lavastoviglie avviare un programma che preveda temperature elevate almeno una volta al mese. Per eseguire la pulizia dell'apparecchio utilizzare un cucchiaino di detersivo e avviare il ciclo in assenza di carico.

STOVIGLIE DI TIPO NON ADATTO

Stoviglie non idonee al lavaggio in lavastoviglie:

- Pentole e stoviglie in legno: si possono rovinare a causa delle alte temperature di lavaggio;
- Oggetti d'artigianato: sono raramente adatti al lavaggio in lavastoviglie. Le temperature relativamente alte dell'acqua e i detersivi usati possono danneggiarli;
- Stoviglie in plastica: le stoviglie di plastica resistenti al calore vanno lavate nel cesto superiore;
- Stoviglie ed oggetti in rame, stagno, zinco ed ottone: tendono a macchiarsi;
- Stoviglie in alluminio: le stoviglie in alluminio anodizzato possono scolorire;
- Argenteria: le stoviglie in argento possono macchiarsi;
- Vetro e cristallo: in genere oggetti in vetro e cristallo possono essere lavati in lavastoviglie. Tuttavia esistono alcuni tipi di vetro e cristallo che dopo molti lavaggi possono diventare opachi e perdere la loro trasparenza; per questo tipo di materiali consigliamo di utilizzare sempre il programma meno aggressivo presente nella tabella programmi;
- Stoviglie con decorazioni: gli oggetti decorati che si trovano in commercio hanno in genere una buona resistenza ai lavaggi in lavastoviglie anche se può succedere che, dopo frequenti lavaggi, i colori impallidiscano. In caso di dubbio sulla resistenza dei colori è opportuno lavare pochi pezzi alla volta per circa un mese.

DANNEGGIAMENTO DI BICCHIERI E STOVIGLIE

- Utilizzare soltanto bicchieri e porcellane garantite dal produttore per il lavaggio in lavastoviglie.
- Utilizzare un detersivo delicato e adatto al tipo di stoviglie in questione.
- Togliere i bicchieri e gli altri elementi dalla lavastoviglie non appena sia terminato il ciclo di lavaggio.

PULIZIA E MANUTENZIONE

Prima di eseguire gli interventi di manutenzione, scollegare sempre l'apparecchio dall'alimentazione elettrica.
Non utilizzare liquidi infiammabili per la pulizia dell'apparecchio.

PULIZIA DELLA LAVASTOVIGLIE

È possibile eliminare qualsiasi segno all'interno dell'apparecchio con l'ausilio di un panno inumidito con acqua e aceto.

Le superfici esterne e il pannello comandi dell'apparecchio possono essere puliti usando un panno non abrasivo precedentemente inumidito con acqua. Non utilizzare solventi o prodotti abrasivi.



PREVENZIONE DEGLI ODORI SGRADAVOLI

Tenere sempre aperta la porta dell'apparecchio per evitare la formazione e la conservazione dell'umidità al suo interno.

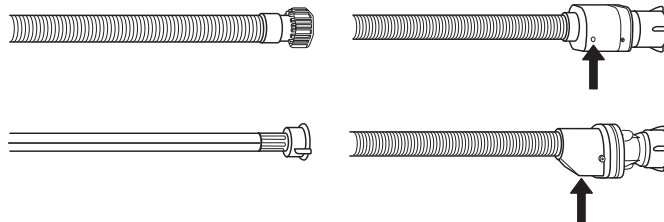
Pulire regolarmente le guarnizioni lungo il perimetro della porta e il distributore del detersivo con una spugna inumidita. Ciò impedisce che resti di cibo rimangano intrappolati nelle guarnizioni, che è la principale causa di formazione di odori sgradevoli.

PULIZIA DEL TUBO DI CARICO ACQUA

Se i tubi dell'acqua sono nuovi o sono rimasti inutilizzati per un periodo prolungato, prima di eseguire i raccordi necessari far scorrere l'acqua per controllare che sia pulita e priva di impurità. In assenza di tale precauzione, il tubo di carico acqua può risultare ostruito con conseguente danneggiamento della lavastoviglie.

CONTROLLO DEL TUBO DI ALIMENTAZIONE IDRICA

Controllare periodicamente l'integrità del tubo di carico. Se fosse danneggiato, sostituirlo con un tubo nuovo reperibile presso il Servizio Assistenza o un rivenditore specializzato. In base al tipo di tubo:



Se il tubo di carico ha un rivestimento trasparente, controllare periodicamente che non vi siano zone di colore più intenso. In questo caso, è possibile che il tubo presenti una perdita e debba essere sostituito. Per i tubi anti-allagamento: controllare la finestrella di ispezione della valvola di sicurezza (vedere la freccia). Se è rossa, significa che la funzione anti-allagamento si è attivata; in questo caso il tubo deve essere sostituito con uno nuovo.

Per staccare il tubo, premere il tasto di sblocco e svitare il tubo.

PULIZIA DEL GRUPPO FILTRO

Pulire regolarmente il gruppo filtro in modo che nei relativi elementi non si formino ostruzioni e che l'acqua vi scorra regolarmente.

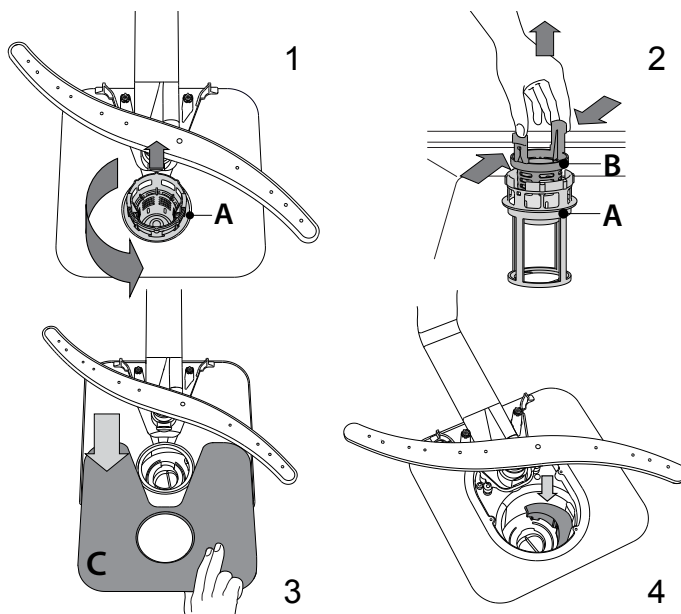
L'uso della lavastoviglie con i filtri ostruiti, o con oggetti estranei nel sistema filtrante o nei bracci irroratori, può causare malfunzionamenti e determinare una perdita di prestazioni, un aumento della rumorosità o un maggiore consumo di risorse.

Il gruppo filtro è composto da tre elementi filtranti che eliminano la presenza di residui di cibo dall'acqua di lavaggio, rimettendola in circolo ai fini del programma: per ottenere le migliori prestazioni durante il lavaggio è necessario che tali elementi siano sempre puliti.

Non utilizzare mai la lavastoviglie priva dei filtri o con i filtri allentati.

Almeno una volta al mese o ogni 30 cicli di lavaggio, verificare lo stato del gruppo filtro e se necessario pulirlo completamente sotto getto di acqua corrente, servendosi di spazzola metallica e seguendo le istruzioni sotto riportate:

1. Ruotare il filtro cilindrico **A** in senso antiorario, quindi estrarlo (Fig. 1).
2. Smontare il filtro a tazza **B** esercitando una leggera pressione sulle sponde laterali (Fig. 2).
3. Far scorrere il filtro a piastra in acciaio inossidabile **C**, fino ad estrarlo (Fig. 3).
4. Se si trovano oggetti estranei (frammenti di vetro, porcellana, ossa, semi di frutta, ecc.), rimuoverli con attenzione.
5. Esaminare il sifone ed eliminare la presenza di qualsiasi residuo di cibo. **NON TOGLIERE MAI** l'elemento di protezione della pompa di lavaggio (dettaglio di colore nero) (Fig. 4).

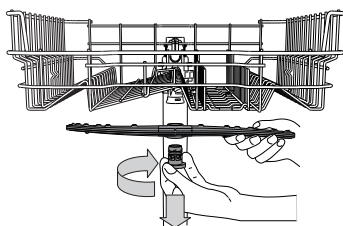


Dopo aver pulito i filtri, rimontare il gruppo e fissarlo correttamente in sede ciò è fondamentale per garantire l'efficienza della lavastoviglie.

PULIZIA DEI BRACCI ASPERSORI

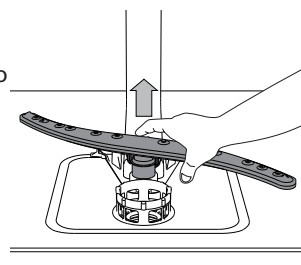
I residui di cibo possono occasionalmente formare incrostazioni sui bracci aspersori e bloccare i fori utilizzati per l'irrorazione dell'acqua.

Si raccomanda pertanto di ispezionare di volta in volta i bracci e di pulirli mediante piccola spazzola metallica.



Per smontare il braccio aspersore superiore, ruotare l'anello di bloccaggio in plastica in senso orario. Il rimontaggio del braccio aspersore deve avvenire in modo che il lato con il maggior numero di fori sia rivolto verso l'alto.

È possibile smontare l'elemento aspersore del cestello inferiore sollevandolo verso l'alto.



SISTEMA DI ADDOLCIMENTO DELL'ACQUA

L'addolcitore riduce automaticamente la durezza dell'acqua, impedendo la formazione di calcare sulla serpentina e contribuendo a migliorare l'efficienza di lavaggio.

Questo sistema si rigenera con il sale, che deve essere perciò rabboccato quando il serbatoio del sale è vuoto.

La frequenza di rigenerazione dipende dal livello di durezza impostato - con la durezza dell'acqua impostata al livello **3**, la rigenerazione avviene ogni **6** cicli Eco.

Il processo di rigenerazione inizia durante il risciacquo finale e termina nella fase di asciugatura, prima del termine del ciclo.

- Ogni rigenerazione comporta: un consumo di ~3,5 litri d'acqua;
- Un prolungamento di 5 minuti della normale durata del ciclo;
- Un consumo di energia minore di 0,005 kWh.

INSTALLAZIONE

Nel caso in cui si renda improvvisamente necessario spostare l'apparecchio, mantenerlo in ogni caso in posizione verticale; solo se assolutamente necessario, ribaltarlo sulla schiena.

COLLEGAMENTO DELL'ALIMENTAZIONE IDRICA

L'adattamento dell'alimentazione idrica a fini di installazione deve essere eseguito soltanto da tecnici qualificati.

I tubi di carico e scarico dell'acqua possono essere orientati verso destra oppure verso sinistra, a seconda di quanto necessario per ottenere la migliore installazione possibile.

Accertarsi che la lavastoviglie non presenti tubi piegati o schiacciati.

RACCORDO DEL TUBO DI CARICO ACQUA

- Far scorrere l'acqua fino a quando sia perfettamente pulita.
 - Fissare saldamente in posizione il tubo di carico e aprire il rubinetto.
- Nel caso in cui il tubo di carico non sia sufficientemente lungo, contattare il distributore o un tecnico specializzato.

La pressione dell'acqua deve essere compresa nei valori riportati nella tabella con le caratteristiche tecniche; in caso contrario la lavastoviglie potrebbe non funzionare correttamente.

Accertarsi che i tubi non siano piegati né schiacciati.

SPECIFICHE PER IL RACCORDO DEL TUBO DI ALIMENTAZIONE ACQUA:

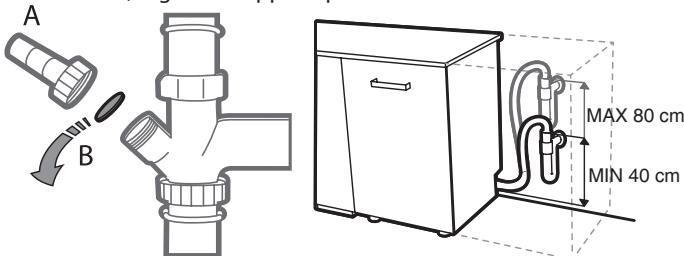
ALIMENTAZIONE ACQUA	fredda o caldo (valore max. 60°C)
CARICO ACQUA	3/4"
PRESSIONE ACQUA	0,05 ÷ 1 MPa (0,5 ÷ 10 bar) 7,25 – 145 psi

RACCORDO DEL TUBO DI SCARICO ACQUA

Collegare il tubo di scarico a un apposito condotto con diametro minimo di 2 cm **A**.

L'altezza del raccordo del tubo di scarico deve essere compresa tra 40 e 80 cm dal livello del pavimento o dalla superficie di appoggio della lavastoviglie.

Prima di collegare il tubo di scarico dell'acqua allo scarico del lavandino, togliere il tappo di plastica **B**.



DISPOSITIVO DI PROTEZIONE ANTIRIFLUSSO

Dispositivo antiriflusso. Per evitare il verificarsi di reflussi, la lavastoviglie:

- è munita di specifico dispositivo per l'interruzione del flusso di alimentazione dell'acqua in caso di anomalie di funzionamento o di perdite all'interno dell'apparecchio.

Alcuni modelli sono muniti anche del dispositivo di sicurezza supplementare **New Aqua Stop**, che garantisce la protezione antiriflusso anche in caso di rottura del tubo di alimentazione.

Non tagliare il tubo di carico dell'acqua per nessun motivo poiché esso contiene anche componenti elettrici sotto tensione.

COLLEGAMENTO ALLA RETE ELETTRICA

⚡ Avvertenza: Non tagliare il tubo di carico dell'acqua per nessun motivo poiché esso contiene anche componenti elettrici sotto tensione.

Prima di inserire la spina nella presa elettrica, verificare quanto segue:

- la presa elettrica è munita di **collegamento a massa** \perp ed è conforme alle normative vigenti;
- la presa elettrica è in grado di sopportare il valore massimo di carico previsto per l'apparecchio, riportato sulla targhetta posta all'interno della porta (vedere DESCRIZIONE DEL PRODOTTO).
- la tensione di alimentazione corrisponde all'intervallo di valori riportato sulla targhetta posta all'interno della porta.
- la presa elettrica è compatibile con la spina dell'apparecchio.

Nel caso in cui non vi sia compatibilità, rivolgersi a un tecnico autorizzato affinché sostituisca la spina (vedere SERVIZIO ASSISTENZA).

Non utilizzare cavi di prolunga o prese multiple. Dopo aver completato l'installazione dell'apparecchio, verificare che il cavo di alimentazione e la presa elettrica siano facilmente accessibili.

Il cavo non deve risultare né eccessivamente piegato né schiacciato.

Per scongiurare la possibilità di qualsiasi rischio, in caso di danneggiamento del cavo di alimentazione elettrica è necessario affidare la sua sostituzione al costruttore o al relativo Servizio di assistenza tecnica.

In caso di inosservanza della precedente raccomandazione la Società non è in alcun modo responsabile di eventuali incidenti.

POSA E LIVELLAMENTO


1. Sistemare la lavastoviglie su superficie solida e piana. In presenza di pavimentazione non in piano, è possibile regolare l'altezza del piedino anteriore dell'apparecchio fino a ottenere il livellamento corretto. Il corretto livellamento dell'apparecchio rende la sua installazione più stabile e molto meno soggetta a spostamenti o a vibrazioni con eccessiva rumorosità durante il funzionamento.
2. Prima di incassare la lavastoviglie nel relativo vano, applicare la striscia adesiva trasparente sotto il ripiano in legno per proteggerlo da eventuali formazioni di condensa.
3. Sistemare la lavastoviglie in modo che i pannelli laterali o il lato posteriore siano a contatto con i mobiletti adiacenti o con il muro. L'apparecchio in questione può essere incassato anche sotto un singolo piano di lavoro.
4. Per regolare l'altezza del piedino posteriore, ruotare la boccola esagonale di colore rosso posta nel centro della parte inferiore del lato anteriore mediante chiave esagonale da 8 mm. Per aumentare l'altezza del piedino ruotare la chiave in senso orario e ruotarla invece in senso antiorario per diminuirlo.

DIMENSIONI E CAPACITÀ:

LARGHEZZA	598 mm
ALTEZZA	820 mm
PROFONDITÀ	555 mm
CAPIENZA	14 coperti standard

RISOLUZIONE DEI PROBLEMI

Se la lavastoviglie non funziona correttamente, provare a risolvere il problema consultando l'elenco sotto riportato.
Per errori o problemi di altro tipo, contattare un Servizio Assistenza Tecnica autorizzato; i dati di contatto sono riportati nel libretto di garanzia.
Il produttore garantisce la disponibilità delle parti di ricambio per almeno 10 anni dalla data di produzione dell'apparecchio.

PROBLEMI	POSSIBILI CAUSE	SOLUZIONE
 L'indicatore del sale è acceso	Il serbatoio del sale è vuoto. (È possibile che, dopo aver riempito il serbatoio, la spia del sale resti accesa per diversi cicli di lavaggio).	Riempire il serbatoio con sale (per ulteriori informazioni, vedere pagina 49). Regolare la durezza dell'acqua - vedere la tabella a pagina 49.
 L'indicatore del brillantante è acceso	La vaschetta del brillantante è vuota. (È possibile che, dopo aver riempito la vaschetta, la spia del brillantante resti accesa per diversi cicli di lavaggio).	Riempire la vaschetta con brillantante (per ulteriori informazioni, vedere pagina 49)
La lavastoviglie non si avvia o i comandi non rispondono.	L'apparecchio non è stato collegato correttamente all'alimentazione elettrica.	Inserire la spina nella presa di corrente.
	Mancanza di corrente.	Per ragioni di sicurezza, la lavastoviglie non si riavvia automaticamente al ripristino della corrente elettrica. Aprire la porta, premere il tasto AVVIO/Pausa e richiudere la porta entro 4 secondi.
	Mancata chiusura della porta lavastoviglie. La spina CoolDry non è inserita.	Spingere con decisione la porta fino ad avvertire il caratteristico "clic".
	Il ciclo è stato interrotto con l'apertura dello sportello per più di 4 secondi.	Premere AVVIO/Pausa e chiudere lo sportello entro 4 secondi
Lo scarico della lavastoviglie non avviene. Sul display viene visualizzato 3 e il LED ACCENSIONE/SPEGNIMENTO lampeggia rapidamente	Mancato funzionamento dei vari comandi. Sul display viene visualizzato 9 o 12 e il LED ACCENSIONE/SPEGNIMENTO lampeggia rapidamente	Spegner l'apparecchio premendo il tasto ACCENSIONE/SPEGNIMENTO, riaccenderlo dopo circa un minuto e riavviare il programma. Se il problema persiste, staccare l'apparecchio dalla rete elettrica per un minuto, quindi ricollegarlo.
	Ciclo di lavaggio non ancora concluso.	Attendere la conclusione del ciclo di lavaggio.
	Tubo di scarico piegato.	Verificare che il tubo di scarico non sia piegato (vedere le ISTRUZIONI DI INSTALLAZIONE).
	Tubo di scarico del lavandino ostruito.	Pulire il tubo di scarico del lavandino.
La rumorosità della lavastoviglie è eccessiva.	Ostruzione filtro a causa di residui di cibo	Pulire il filtro (vedere PULIZIA DEL GRUPPO FILTRO).
	Urto dei piatti tra loro durante il lavaggio.	Sistemare le stoviglie nel modo corretto (vedere CARICAMENTO DEI CESTELLI).
I piatti non risultano puliti.	Produzione eccessiva di schiuma.	Il dosaggio del detersivo non è stato stabilito in modo corretto oppure il detersivo non è del tipo adatto alle lavastoviglie (vedere RIEMPIMENTO DELLA VASCHETTA DEL DETERSIVO). Per riavviare il ciclo in corso, spegnere e riaccendere la lavastoviglie, scegliere un nuovo programma, premere AVVIO/Pausa e chiudere lo sportello entro 4 secondi. Non aggiungere altro detersivo
	Errata disposizione delle stoviglie.	Sistemare le stoviglie nel modo corretto (vedere CARICAMENTO DEI CESTELLI).
	Impedimento nella rotazione dei bracci aspersori a causa dell'interferenza dei piatti.	Sistemare le stoviglie nel modo corretto (vedere CARICAMENTO DEI CESTELLI).
	Il ciclo di lavaggio è eccessivamente delicato.	Selezionare il programma adatto (vedere la TABELLA DEI PROGRAMMI).
	Produzione eccessiva di schiuma.	Il dosaggio del detersivo non è stato stabilito in modo corretto oppure il detersivo non è del tipo adatto alle lavastoviglie (vedere RIEMPIMENTO DEL DISTRIBUTORE DETERSIVO).
	Tappo sul vano brillantante non correttamente chiuso.	Accertarsi che il tappo sul distributore brillantante sia chiuso.
	Filtro sporco oppure ostruito.	Pulire il gruppo filtro (vedere CURA E MANUTENZIONE).
La lavastoviglie non esegue il carico dell'acqua. Sul display viene visualizzato H, 6 e il LED ACCENSIONE/SPEGNIMENTO lampeggia rapidamente	Mancanza di sale.	Riempire il serbatoio del sale (vedere RIEMPIMENTO DEL SERBATOIO SALE).
	Assenza di alimentazione idrica o rubinetto chiuso.	Accertarsi che il tubo di alimentazione idrica contenga l'acqua necessaria o che il rubinetto sia aperto.
	Il tubo di carico è piegato	Accertarsi che il tubo di carico non sia piegato (vedere INSTALLAZIONE) riprogrammare la lavastoviglie e riavviarla.
La lavastoviglie termina il ciclo di lavaggio troppo presto. Sul display viene visualizzato 15 e il LED ACCENSIONE/SPEGNIMENTO lampeggia rapidamente	L'elemento filtrante nel tubo di carico è ostruito; è necessario pulirlo.	Dopo aver eseguito le operazioni di ispezione e pulizia, spegnere e accendere la lavastoviglie e avviare un programma nuovo.
	Il tubo di scarico è posizionato troppo in basso o crea un effetto sifone nell'impianto di scarico domestico.	Controllare che l'estremità del tubo di scarico si trovi all'altezza corretta (vedere INSTALLAZIONE). Verificare eventuali effetti sifone nell'impianto di scarico domestico; se necessario, installare una valvola di ingresso aria.
	Aria nel tubo di mandata dell'acqua.	Controllare che non vi siano perdite nell'impianto idraulico o altri problemi che causino l'ingresso di aria.

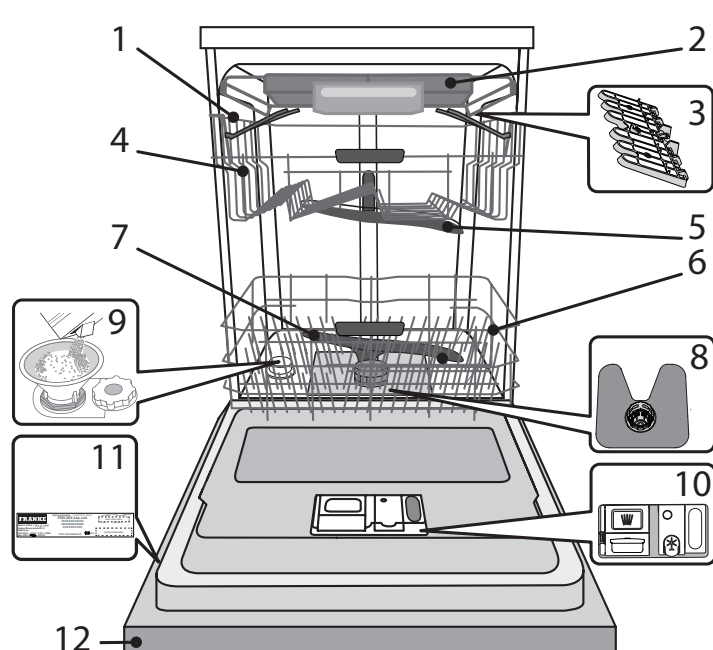
INHOUDSOPGAVE

OVERZICHT	59
EERSTE GEBRUIK	60
PROGRAMMATABEL.....	61
OPTIES EN FUNCTIE	62
REKKEN VULLEN	63
DAGELIJKS GEBRUIK.....	64
ADVIEZEN EN TIPS	64
REINIGING EN ONDERHOUD	65
INSTALLATIE.....	66
PROBLEMEN OPLOSSEN.....	67
ONDERSTEUNING.....	68

GEBRUIKERSHANDLEIDING

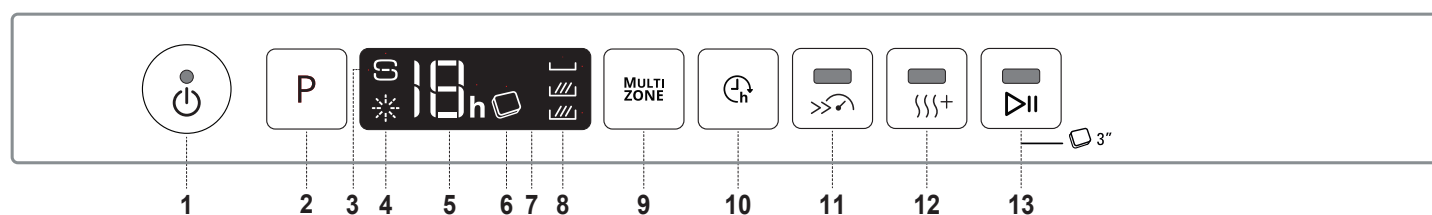
Voordat u het apparaat gebruikt leest u de Veiligheidsvoorschriften zorgvuldig door.

OVERZICHT



1. Bovenste rek
2. Besteklade
3. Opvouwbare kleppen
4. Afsteller hoogte bovenste rek
5. Bovenste sproeierarm
6. Onderste rek
7. Onderste sproeierarm
8. Filtersysteem
9. Zoutreservoir
10. Doseerbakjes vaatwasmiddel en glansspoelmiddel
11. Typeplaatje
12. Bedieningspaneel

BEDIENINGSPANEEL



1. Aan-Uit/Reset-toets met controlelampje
2. Programmakeuzetoets
3. Controlelampje zout bijvullen
4. Controlelampje bijvullen glansspoelmiddel
5. Nummer programma en controlelampje tijd van uitstel
6. Controlelampje tablet (tab)
7. Display
8. Controlelampje Multizone
9. Multizone toets
10. Uitstel toets
11. Turbo toets met controlelampje
12. Extra Dry toets met controlelampje
13. Start/Pauze-toets met controlelampje/ Tablet (Tab)

EERSTE GEBRUIK ZOUT, GLANSSPOELMIDDEL EN VAATWASMIDDEL

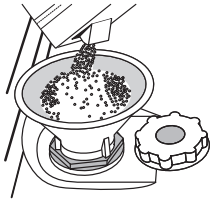
Verwijder na het installeren de stoppen uit de rekken en de elastische borgelementen uit het bovenste rek.

HET ZOUTRESERVOIR BIJVULLEN

Het gebruik van zout voorkomt de vorming van KALKAANSLAG op het vaatwerk en op de functionele onderdelen van de machine.

- Het is noodzakelijk dat **HET ZOUTRESERVOIR NOOIT LEEG IS**.
- Het is belangrijk dat de hardheid van het water wordt ingesteld.

Het zoutreservoir bevindt zich in het onderste deel van de afwasmachine (zie **OVERZICHT**) en moet worden gevuld wanneer het **controlelampje ZOUT BIJVULLEN** in het bedieningspaneel brandt..



1. Verwijder het onderste rek en draai de dop van het reservoir los (linksom).
2. **Alleen de eerste maal dat u dit doet: vul het zoutreservoir met water.**
3. Plaats de trechter (zie afbeelding) en vul het zoutreservoir tot aan de rand (ongeveer 1 kg); het is niet ongebruikelijk dat er een beetje water uit lekt.
4. **Verwijder de trechter en veeg alle zoutresten weg van de opening.**

Zorg ervoor dat de dop strak is aangedraaid, zodat geen vaatwasmiddel in de container kan komen tijdens het wasprogramma (dit kan de waterontharder onherstelbaar beschadigen).

Wanneer u zout moet toevoegen, is u verplicht om de procedure helemaal uit te voeren alvorens de wascyclus te starten om corrosie te voorkomen.

DE WATERHARDHEID INSTELLEN

Als u de waterontharder perfect wilt laten werken is het essentieel dat de instelling van de waterhardheid is gebaseerd op de werkelijke waterhardheid in uw huis. Deze informatie kan bij uw lokale waterleverancier worden opgevraagd.

De fabrieksinstelling is voor gemiddelde waterhardheid.

- Het apparaat inschakelen door op de toets AAN/UIT te drukken.
- Het apparaat uitschakelen door op de toets AAN/UIT te drukken.
- De toets P 5 seconden ingedrukt houden totdat u een piep hoort.
- Het apparaat inschakelen door op de toets AAN/UIT te drukken.
- Het huidige niveaunummer van de selectie en het controlelampje van het zout knipperen allebei.
- De toets P indrukken om het gewenste hardheidsniveau te selecteren (zie TABEL WATERHARDHEID).

Tabel waterhardheid				
Niveau	°dH Duitse graden	°fH Franse graden	°Clark Engelse graden	
				1
2	Gemiddeld	7 - 11	11 - 20	8 - 14
3	Gemiddeld	12 - 16	21 - 29	15 - 20
4	Hard	17 - 34	30 - 60	21 - 42
5	Zeer hard	35 - 50	61 - 90	43 - 62

- Het apparaat uitschakelen door op de toets AAN/UIT te drukken. Instellen is voltooid!

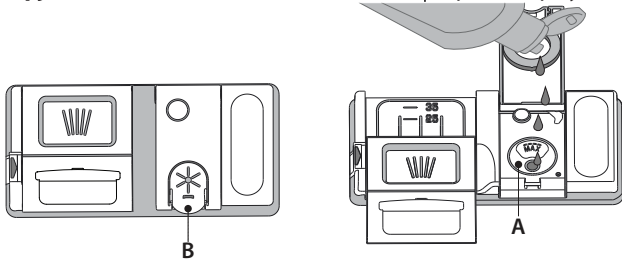
Zodra deze procedure voltooid is voert u een programma zonder lading uit. **Gebruik alleen zout dat speciaal voor afwasmachines is bestemd.** Wanneer het zout in de machine is gestrooid wordt het lampje ZOUT BIJVULLEN uitgeschakeld.

Als het zoutreservoir niet gevuld wordt, kunnen de waterverzachter en het verwarmingselement beschadigd raken als gevolg van de accumulatie van ketelsteen.

Het gebruik van zout wordt aanbevolen met elk type vaatwasmiddel.

HET GLANSSPOELMIDDELRESERVOIR BIJVULLEN

Glansspoelmiddel maakt het DROGEN van de vaat gemakkelijker. Het glansspoelmiddelreservoir **A** moet worden gevuld wanneer het **controlelampje GLANSSPOELMIDDEL BIJVULLEN** op het display brandt.



1. Open het doseerbakje **B** door de tab op het deksel in te drukken en omhoog te trekken.
2. Het glansspoelmiddel zorgvuldig inbrengen tot aan de maximum (110 ml) insteekgleuf van de vulruimte - voorkom morsen. Wanneer dit gebeurt het gemorste glansspoelmiddel onmiddellijk met een droge doek reinigen.
3. Om het te sluiten het deksel naar beneden drukken totdat u een klik hoort.

Het glansspoelmiddel NOOIT rechtstreeks in de kuip gieten.

DE DOSERING GLANSSPOELMIDDEL AANPASSEN

Als u niet volledig tevreden bent over de droogresultaten kunt u de gebruikte hoeveelheid glansspoelmiddel aanpassen.

- De afwasmachine inschakelen met de toets AAN/UIT.
- Uitschakelen met de toets AAN/UIT.
- Driemaal op de toets P drukken - er klinkt een piepton.
- Inschakelen met de toets AAN/UIT.
- Het huidige niveaunummer van de selectie en het controlelampje van het glansspoelmiddel knipperen.
- De toets P indrukken om het niveau van het te leveren glansspoelmiddel te selecteren.

- Uitschakelen met de toets AAN/UIT

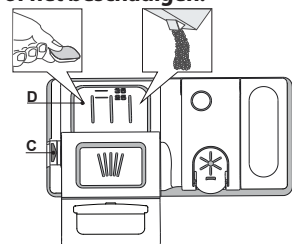
Instellen is voltooid!

Als het niveau van het glansspoelmiddel is ingesteld op NUL (ECO) zal geen glansspoelmiddel worden afgegeven. Het controlelampje LAAG GLANSSPOELMIDDEL zal niet branden als het glansspoelmiddel op is. Er kan een maximum van 5 niveaus worden ingesteld, afhankelijk van het model afwasmachine. De fabrieksinstelling is specifiek voor het model. Volg de bovenstaande instructies om te controleren of dat ook voor uw machine geldt.

- Als u blauwe strepen op het vaatwerk ziet stel dan een laag getal in (1-2).
- Als er druppels water of kalkaanslag op het vaatwerk zijn stel dan een hoog getal in (3-4).

HET VAATWASMIDDELDOSEERBAKJE VULLEN

Het gebruik van vaatwasmiddelen die niet bedoeld zijn voor vaatwasmachines kan de slechte werking van het apparaat veroorzaken of het beschadigen.



Gebruik de opening apparaat C om het vaatwasmiddeldoseerbakje te openen. Het vaatwasmiddel alleen in het droge doseerbakje D invoeren. Plaats de hoeveelheid vaatwasmiddel voor voorspoelen direct in de kuip.

1. Raadpleeg bij het afmeten van het vaatwasmiddel de eerder vermelde informatie om de juiste hoeveelheid toe te voegen. In het doseerbakje **D** vindt u de aanwijzingen voor het doseren van het vaatwasmiddel.
2. Verwijder de resten vaatwasmiddel van de randen van het doseerbakje en sluit het deksel totdat het klikt.
3. Sluit het deksel van het vaatwasmiddeldoseerbakje door het omhoog te trekken tot het sluitingsmechanisme is vastgezet.

Het vaatwasmiddeldoseerbakje opent automatisch op het juiste moment, volgens het programma. Bij gebruik van alles-in-één vaatwasmiddelen is het raadzaam om de toets **TABLET** te gebruiken, omdat het programma dan zodanig wordt aangepast dat de beste was- en droogresultaten worden bereikt.

PROGRAMMATABEL

Programma	Drogen fase	CoolDry	Beschikbare functies *)	Duur van wasprogramma (h:min)*)	Waterverbruik (liter/ cyclus)	Energieverbruik (kWh/ cyclus)	
1. Eco	50°	✓	✓		3:10	9,5	0,85
2. Auto	50-60°	✓	✓	MULTI ZONE	1:25 - 3:00	7,0 - 14,0	0,90 - 1,40
3. Intensief	65°	✓	✓	MULTI ZONE	2:50	17,0	1,60
4. Snel wassen en drogen	50°	✓	✓	MULTI ZONE	1:25	11,5	1,10
5. Kristallen	45°	✓	✓	MULTI ZONE	1:40	12,0	1,20
6. Snel 30'	45°	-	✓	MULTI ZONE	0:30	9,0	0,50
7. Stil	50°	✓	✓		3:30	16,0	1,15
8. Desinfecterende	65°	✓	-		1:40	12,0	1,30
9. Voorspoelen	-	-	-	MULTI ZONE	0:12	4,5	0,01
10. Zelfreinigend	65°	-	-		0:50	8,0	0,85

De gegevens van het ECO-programma worden gemeten onder laboratoriumomstandigheden, volgens de Europese norm EN 60436:2020.

Voorbehandeling van het vaatwerk vóór de programma's is niet nodig.

*) Niet alle opties kunnen tegelijkertijd gebruikt worden.

**) Waarden aangegeven voor andere programma's dan het Eco-programma zijn slechts indicatief. De werkelijke tijd is afhankelijk van vele factoren, zoals de temperatuur en de druk van het toevoerwater, de kamertemperatuur, hoeveelheid vaatwasmiddel, de hoeveelheid en soort lading, evenwicht van de lading, extra gekozen opties en de kalibratie van de sensor. De kalibratie van de sensor kan de duur van het programma met max. 20 min. verlengen.

BESCHRIJVING PROGRAMMA'S

Instructies over het selecteren van het wasprogramma.

1 ECO

Het Eco-programma is geschikt voor het reinigen van normaal vervuild vaatwerk, dat voor dit gebruik het meest efficiënte programma is wat betreft de combinatie van energie- en waterverbruik en in overeenstemming is met de Europese Ecodesign-wetgeving.

2 AUTO

Voor normaal vervuilde vaat met opgedroogde etensresten. Meet de mate van vervuiling van het serviesgoed af en past het programma dienovereenkomstig aan.

3 INTENSIEF

Aanbevolen programma voor sterk vervuild serviesgoed, met name geschikt voor pannen en koekenpannen (mag niet gebruikt worden voor kwetsbare stukken).

4 SNEL WASSEN EN DROGEN

Normaal vervuild serviesgoed. Dagelijkse cyclus, die een optimale reinigende en drogende werking in kortere tijd garandeert.

5 KRISTALLEN

Programma voor kwetsbare stukken die gevoeliger zijn voor hoge temperaturen, bijvoorbeeld glazen en kopjes.

6 SNEL 30'

Programma dat kan worden gebruikt voor een halve lading licht vervuilde vaat zonder opgedroogde etensresten. Heeft geen droogfase.

7 STIL

Geschikt voor werking van het apparaat in de nacht. Garandeert een optimale reinigende en drogende werking met de laagste geluidsemisatie.

8 DESINFECTERENDE

Normally or heavily soiled crockery, with additional antibacterial wash. Can be used to perform maintenance of the dishwasher.

9 VOORSPOELEN

Gebruikt om servies vochtig te houden dat later gewassen moet worden. Met dit programma wordt er geen vaatwasmiddel gebruikt.

10 ZELFREINIGEND

Programma te gebruiken voor het onderhoud van de afwasmachine, wordt enkel uitgevoerd wanneer de afwasmachine LEEG is met gebruik van specifieke reinigingsmiddelen die speciaal ontworpen zijn voor het onderhoud van de afwasmachine

Opmerkingen:

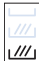
Gelieve er rekening mee te houden dat de cyclus Snel 30' bedoeld is voor licht vervuilde vaat..

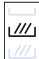
OPTIES EN FUNCTIE


OPTIES kunnen direct worden geselecteerd door het indrukken van de daarbij behorende toets (zie *BEDIENINGSPANEEL*). Als een optie niet compatibel is met het geselecteerde programma (zie *PROGRAMMATABEL*) gaat de bijbehorende LED 3 keer snel knipperen en klinken er pieptonen. De optie wordt niet ingeschakeld.

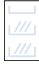
MULTI MULTIZONE

Als er niet veel vaatwerk is kan er een programma «halve lading» worden gebruikt, om water, elektriciteit en vaatwasmiddel te besparen. Selecteer het programma en druk daarna op de MULTIZONE-toets: het symbool van het gekozen rek verschijnt op het display. Standaard wast het apparaat vaatwerk in alle rekken. Druk herhaaldelijk op deze toets om alleen in een bepaald rek af te wassen:

 verschijnt op het display (alleen onderste rek)

 verschijnt op het display (alleen bovenste rek)

 verschijnt op het display (alleen bestekmandje)

 verschijnt op het display (optie is uitgeschakeld en het apparaat wast het vaatwerk in alle rekken).

Vergeet niet om alleen het bovenste of onderste rek te laden en de hoeveelheid vaatwasmiddel dienovereenkomstig te verlagen. Als het bovenste rek is verwijderd, breng dan het vaatwasmiddel rechtstreeks in de kuip aan in plaats van in het vaatwasmiddelreservoir.

UITSTEL

De starttijd van het programma kan worden uitgesteld voor een periode tussen **1** en **12** uur.

1. De UITSTEL-toets indrukken: het overeenkomstige symbool «h» verschijnt op het display; telkens wanneer u de toets indrukt zal de tijd (1u, 2u, enz. tot max. 12 u) vanaf het begin van het geselecteerde wasprogramma worden verhoogd.
2. Kies het wasprogramma, druk op de toets START/PAUZE en sluit binnen 4 seconden de deur: de timer begint met aftellen.
3. Wanneer de tijd verstreken is, wordt het controlelampje «h» uitgeschakeld en begint het wasprogramma.

Druk op de UITSTEL-toets om de uitsteltijd aan te passen en een kortere periode te selecteren. Om te wissen, druk de toets herhaaldelijk in totdat het controlelampje «h» van de gekozen uitstelstart wordt uitgeschakeld.

Wanneer er een wasprogramma is gestart, kan de UITSTEL-functie niet meer worden ingesteld.

TURBO

Deze optie kan worden gebruikt om de duur van de hoofdprogramma's te verlagen, met behoud van dezelfde was- en droogprestaties.

Druk na het selecteren van het programma op de TURBO-toets en het controlelampje wordt ingeschakeld. Druk dezelfde toets opnieuw in om de optie uit te schakelen.

EXTRA DRY

Ter verbetering van het drogen van het vaatwerk na het selecteren van het programma de toets EXTRA DRY indrukken en het controlelampje gaat branden.

Door een hogere temperatuur tijdens de laatste spoeling en een verlengde droogfase wordt het drogen verbeterd. Druk dezelfde toets opnieuw in om de optie uit te schakelen. De EXTRA DRY-optie resulteert in het verlengen van het wasprogramma.

TABLET (Tab)

Met deze instelling kan de prestatie van het programma geoptimaliseerd worden, aan de hand van het afwasmiddel dat gebruikt wordt.

Druk de toets START/PAUZE gedurende 3 seconden in (het bijbehorende symbool gaat branden) als u gecombineerde vaatwasmiddelen in tabletvorm gebruikt (glansspoelmiddel, zout en wasmiddel in 1 dosis).

Als u poeder of vloeibaar afwasmiddel gebruikt moet deze optie worden uitgeschakeld.

BEDRIJFSCONTROLELAMPJE

Er wordt LED-licht op de vloer geprojecteerd om aan te geven dat de afwasmachine in bedrijf is. Er kan een van de volgende bedrijfsmodussen worden geselecteerd:

- a) Uitgeschakelde functie.
- b) Wanneer de cyclus begint gaat het licht een paar seconden aan, blijft tijdens de cyclus uit en knippert op het einde van de cyclus.
- c) Het licht blijft tijdens de cyclus branden en knippert op het einde van de cyclus (standaard modus).

Als de uitgestelde start was ingesteld gaat het licht voor de eerste paar seconden aan of voor de gehele duur van het aftellen, op basis van of de modus b) of c) was ingesteld.

Telkens wanneer de deur wordt geopend gaat het licht uit. Voor het selecteren van de gewenste modus de machine inschakelen, de toets **P** ingedrukt houden totdat een van de drie letters op het display verschijnt, de toets **P** indrukken totdat u de gewenste letter (of modus) bereikt, de toets **P** i.

Opmerking: Als CoolDry actief is en de deur open, zal de werkingsindicator niet knipperen aan het einde van de cyclus.

CoolDry

CoolDry is een convectiedroogstelsel dat de deur tijdens/na de droogfase automatisch opent om elke dag voor buitengewone droogprestaties te zorgen. De deur gaat open wanneer de temperatuur veilig is voor uw keukenmeubelen, de deur gaat bijgevolg niet open wanneer de optie TURBO ingeschakeld is.

Als extra bescherming tegen stoom wordt een speciaal ontworpen beschermingsfolie geleverd met de vaatwasser. Raadpleeg de INSTALLATIEGIDS om te zien hoe u de beschermingsfolie aanbrengt.

De *CoolDry*-functie kan door de gebruiker als volgt worden uitgeschakeld:

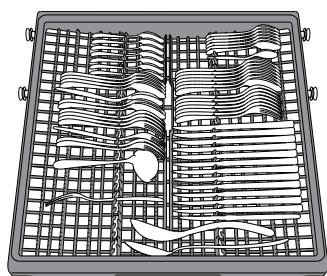
1. Ga naar het software-menu van de afwasmachine door de knop **P** ingedrukt te houden (6 sec).
2. U bevindt zich eerst in het lichtregelingsmenu (raadpleeg de beschrijving van BEDRIJFSCONTROLELAMPJE). Als u niets wilt wijzigen, houd dan de knop **P** ingedrukt (tot een van de twee letters op het display verschijnt).
3. U bent overgeschakeld naar het *CoolDry*-bedieningsmenu. U kunt de status van de *CoolDry*-functionaliteit wijzigen door op de knop **P** te drukken:

E – ingeschakeld **d** – uitgeschakeld

Om de wijziging te bevestigen en het bedieningsmenu te verlaten, houd de knop **P** ingedrukt (3 sec).

REKKEN VULLEN

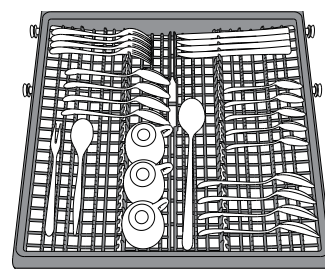
BESTEKLADDE



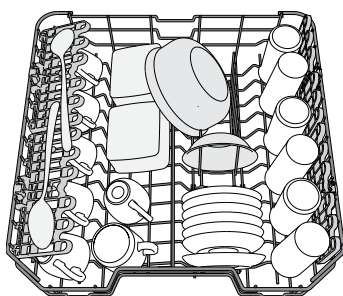
Het derde rek werd ontworpen om het bestek te herbergen. Rangschik het bestek zoals op de afbeelding. Een aparte rangschikking voor het bestek maakt het oppakken na de afwas eenvoudiger en verbetert de was- en droogprestaties.

Messen en andere gebruiksvoorwerpen met scherpe randen moeten worden geplaatst met de punten naar beneden gericht.

De geometrie van het rek maakt het mogelijk om kleine items als koffiekopjes in het midden te plaatsen.



BOVENSTE REK



Laden van kwetsbaar en licht vaatwerk: glazen, kopjes, schoteltjes, lage saladekommen.

(laadvoorbeeld voor het bovenste rek)

DE HOOGTE VAN HET BOVENSTE REK AFSTELLEN

De hoogte van het bovenste rek kan worden afgesteld: hoge stand voor groot serviesgoed in de onderste mand en lage stand om optimaal gebruik te maken van de opklapbare steunen, door het creëren van meer ruimte naar boven en botsen met de items die in het onderste rek zijn geladen te voorkomen.

Het bovenste rek is uitgerust met een

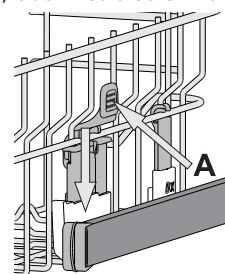
hoogteversteller bovenste rek

(zie afbeelding, zonder op de hefboomen te hoeven drukken, opheffen door gewoon de zijkanten van het rek vast te houden, zodra het rek stabiel in de bovenste positie staat.

Voor herstellen naar de lagere positie op de hefboomen **A** aan de zijkanten van het rek drukken en de mand naar beneden verplaatsen.

Het is raadzaam de hoogte van het rek niet aan te passen wanneer het is geladen.

NOOIT de mand slechts aan één kant verhogen of verlagen.



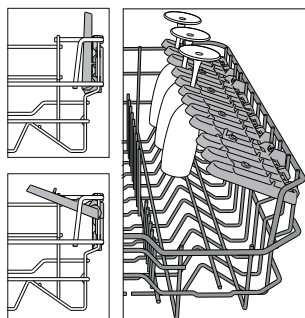
OPVUWBARE KLEPPEN MET VERSTELBARE STAND

De opvouwbare kleppen aan de zijkant kunnen worden opgevouwen of opengevouwen voor een optimale rangschikking van het serviesgoed in het rek.

Wijn glazen kunnen veilig in de opvouwbare kleppen worden geplaatst door de steel van elk glas in de overeenkomstige sleuven in te voeren.

Afhankelijk van het model:

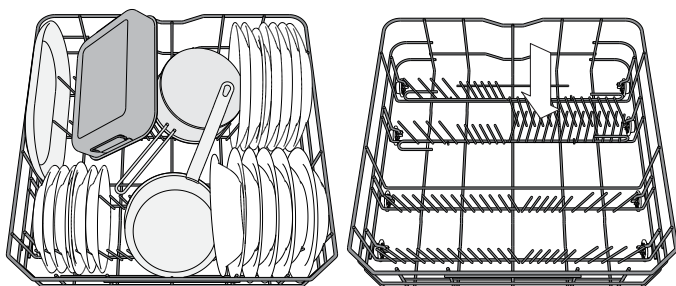
- om de kleppen open te vouwen moet u ze omhoog schuiven en roteren of ze losmaken van de klemmen en omlaag trekken.
- om de kleppen op te vouwen moet u ze roteren en omlaag schuiven of ze omhoog trekken en aan de klemmen vastmaken.



ONDERSTE REK

Voor potten, deksels, platen, saladekommen, bestek enz. Grote platen en deksels moeten idealiter aan de zijkanten worden geplaatst, om aanraking met de sproeierarmen te voorkomen.

Het onderste rek heeft opklapbare steunen die in een verticale positie kunnen worden gebruikt bij het schikken van platen of in een horizontale positie (lager) om pannen en saladekommen te laden.



(laadvoorbeeld voor het onderste rek)

DAGELIJKS GEBRUIK

1. WATERAANSLUITING CONTROLEREN

Controleer of de wasmachine is aangesloten op de waterleiding en of de waterkraan open is.

2. DE AFWASMACHINE INSCHAKELEN

Open de deur en druk op de toets AAN/UIT.

3. DE REKKEN VULLEN (zie REKKEN VULLEN)

4. HET VAATWASMIDDELMIDDELDOSERBAKJE VULLEN

5. HET PROGRAMMA KIEZEN EN DE CYCLUS AANPASSEN

Selecteer het meest geschikte programma in overeenstemming met het soort serviesgoed en het niveau van vervuiling (zie *BESCHRIJVING PROGRAMMA*) door de P-toets in te drukken. Selecteer de gewenste opties (zie *OPTIES EN FUNCTIES*).

6. START

Start het de wascyclus door op de START/Pauze-toets (het ledlampje brandt) te drukken en de deur binnen 4 seconden te sluiten.

U hoort een enkele piep wanneer het programma start. Als de deur niet binnen 4 seconden is gesloten, hoort u een geluid ter waarschuwing. Open in dat geval de deur, druk op de START/Pauze-toets en sluit de deur weer binnen 4 seconden.

7. EINDE VAN HET WASPROGRAMMA

Het einde van de wascyclus wordt aangegeven door piepjes en door knippen van de wascyclusindicator op het paneel en het licht op de vloer (indien geactiveerd). De deur openen en het apparaat uitschakelen door op de toets AAN/UIT te drukken. Een paar minuten wachten voordat het serviesgoed wordt verwijderd - om brandwonden te voorkomen. De rekken uitladen, te beginnen met het onderste rek.

De machine wordt tijdens bepaalde langere perioden van inactiviteit automatisch uitgeschakeld, om het elektriciteitsverbruik te minimaliseren. Als het serviesgoed slechts licht bevuild is of als het voordat het in de afwasmachine wordt geplaatst met water is afgespoeld kan de hoeveelheid vaatwasmiddel dienovereenkomstig worden verminderd.

WIJZIGEN VAN EEN LOPEND PROGRAMMA

Als u een verkeerd programma heeft gekozen, kunt u het programma wijzigen mits het net is begonnen: open de deur en houd de AAN/UIT-toets ingedrukt. De machine wordt uitgeschakeld. Schakel de machine weer in met de AAN/UIT-toets en selecteer het nieuwe wasprogramma en eventuele gewenste opties; start de wascyclus door de START/Pauze-toets in te drukken en de deur te sluiten binnen 4 seconden.

EXTRA SERVIESGOED TOEVOEGEN

Open de deur (START/Pauze-ledlampje begint te knippen) zonder de machine uit te schakelen (pas op voor hete stoom!) en plaats het serviesgoed in de afwasmachine. Druk op de START/Pauze-toets en sluit de deur binnen 4 seconden. Het programma gaat verder vanaf het punt waarop het was onderbroken.

ONGEWENSTE ONDERBREKINGEN

Als de deur geopend wordt tijdens de wascyclus, of als er sprake is van een stroomonderbreking, stopt het programma. Om de cyclus te hernemen vanaf het punt waarop het was onderbroken, drukt u op de START/Pauze-toets-knop en sluit u de deur binnen 4 seconden.

ADVIEZEN EN TIPS

ADVIEZEN

Verwijder alvorens de manden te laden alle voedselresten uit het serviesgoed en leeg de glazen. **Het serviesgoed hoeft niet tevoren onder stromend water afgespoeld te worden.**

Het serviesgoed zo rangschikken dat het stevig op zijn plaats staat en niet omslaat; rangschik de containers met de openingen naar beneden gericht en de holle/bolle onderdelen schuin geplaatst, waardoor het water elk oppervlak kan bereiken en vrij kan stromen.

Waarschuwing: zorg ervoor dat deksels, grepen, platen en koekenpannen de sproeierarmen niet belemmeren bij het draaien.

Plaats geen kleine voorwerpen in de bestekmand.

Erg vervuild vaatwerk en pannen moeten in de onderste mand worden geplaatst, omdat in deze ruimte de watersproeiers sterker zijn en hogere wasprestaties hebben. Zorg ervoor dat na het laden van het apparaat de sproeierarmen vrij kunnen draaien.

TIPS VOOR ENERGIEBESPARING

• Wanneer de huishoudelijke vaatwasmachine gebruikt wordt volgens de aanwijzingen van de fabrikant, **verbruikt het wassen van vaatwerk in een vaatwasmachine gewoonlijk MINDER ENERGIE en water dan met de hand afwassen.**

• Om de efficiëntie van de vaatwasmachine te maximaliseren wordt aanbevolen om **de wascyclus eerst te starten wanneer de vaatwasmachine helemaal gevuld is.** De huishoudelijke vaatwasmachine vullen tot de hoeveelheid aangegeven door de fabrikant draagt bij tot het besparen van energie en water. Informatie over het correct laden van vaatwerk vindt u in het hoofdstuk DE REKKEN VULLEN.

Als de machine gedeeltelijk is gevuld, wordt aanbevolen om de speciaal daarvoor bedoelde wasopties, indien voorzien, te gebruiken (Halve lading/ Zone Wash/ Multizone) en enkel geselecteerde rekken te vullen. De vaatwasmachine onjuist of overmatig vullen kan het gebruik van de hulpbronnen verhogen (zoals water, energie en tijd, en ook het geluidsniveau) en de reinigings- en droogprestaties verlagen.

• Vaatwerk vooraf met de hand spoelen verhoogt het water- en energieverbruik en wordt niet aanbevolen.

HYGIËNE

Om te voorkomen dat zich geur en afzetting ophoopt in de afwasmachine moet u ten minste één per maand een programma met hoge temperatuur laten draaien. Gebruik een theelepel vaatwasmiddel en laat het apparaat zonder lading draaien.

ONGESCHIKT SERVIESGOED

Artikelen die niet vaatwasmachinebestendig zijn:

- Houten schalen, potten of pannen: deze kunnen worden beschadigd door de hoge wastemperaturen.
- Met de hand gemaakte artikelen: deze zijn zelden geschikt om in de vaatwasser te wassen. De relatief hoge watertemperatuur en de gebruikte reinigingsmiddelen kunnen deze beschadigen.
- Plastic schotels: deze zijn niet hittebestendig en kunnen hun vorm verliezen. Hittebestendige plastic schalen moeten in de bovenste korf worden gewassen.
- Schotels en voorwerpen in koper, tin, zink of messing: deze hebben de neiging vlekken te maken.
- Aluminium gerechten: artikelen gemaakt van geanodiseerd aluminium kunnen hun kleur verliezen.
- Zilverwerk: zilveren voorwerpen kunnen vlekken vertonen.
- Glas en kristal: in het algemeen kunnen glazen en kristallen voorwerpen in de vaatwasser worden gewassen. Bepaalde glassoorten en kristallen kunnen echter saai worden en na veel wasbeurten hun helderheid verliezen. Daarom raden we u aan voor deze items het minst agressieve programma te gebruiken dat beschikbaar is.
- Versierde items: de versierde objecten die op de markt zijn, zijn over het algemeen in staat om in de vaatwasser te wassen, hoewel de kleuren na een groot aantal wasbeurten kunnen vervagen. Als u twijfelt over de kleurvastheid, is het raadzaam om slechts een paar items tegelijk te wassen gedurende ongeveer een maand.

SCHADE AAN GLASWERK EN SERVIESGOED

- Gebruik alleen glas en porselein waarvan de fabrikant garandeert dat het veilig is voor de afwasmachine.
- Gebruik een zacht vaatwasmiddel dat geschikt is voor serviesgoed.
- Haal glazen en bestek uit de afwasmachine zodra het wasprogramma afgelopen is.

REINIGING EN ONDERHOUD

Koppel het apparaat altijd los tijdens het reinigen en bij het uitvoeren van onderhoudswerkzaamheden.
Gebruik geen brandbare vloeistoffen om de machine schoon te maken.

DE AFWASMACHINE SCHOONMAKEN

Alle aanslag op de binnenkant van het apparaat kunnen worden verwijderd met een doek die is bevochtigd met water en een beetje azijn.

De externe oppervlakken van de machine en het bedieningspaneel kunnen met een niet-schurende doek, bevochtigd met water worden gereinigd.

Gebruik geen oplosmiddelen of schuurmiddelen.



VOORKOMEN VAN ONAANGENAME GEUREN

Always keep the door of the appliance ajar in order to avoid moisture from forming and being trapped inside the machine.

Clean the seals around the door and detergent dispensers regularly using a damp sponge. This will avoid food becoming trapped in the seals, which is the main cause behind the formation of unpleasant odours.

DE TOEVOERSLANG REINIGEN

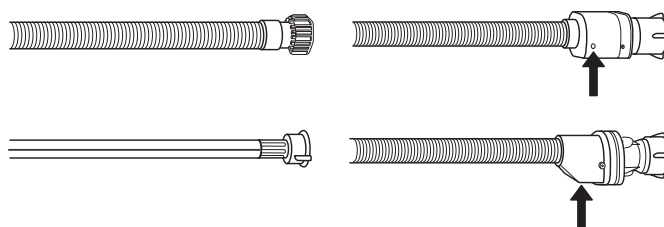
Als de waterslangen nieuw zijn of een langere periode niet zijn gebruikt laat dan, voordat de benodigde aansluitingen worden uitgevoerd, het water lopen, om ervoor te zorgen het helder is en vrij van onzuiverheden. Als deze voorzorgsmaatregel niet wordt genomen kan de waterinlaat geblokkeerd worden en kan de afwasmachine beschadigd raken.

DE WATERTOEVOSLANG CONTROLEREN

Controleer de toevoerslang regelmatig op barsten of scheuren.

Als deze beschadigd is vervangen door een nieuwe slang, te verkrijgen via onze Consumentenservice of uw gespecialiseerde dealer.

Afhankelijk van het type slang:



Als de toevoerslang een doorzichtige coating heeft, regelmatig controleren of de kleur plaatselijk wordt geïntensiveerd. Zo ja, is de slang wellicht lek en moet worden vervangen.

Voor waterstopslangen: controleer het kleine veiligheidsklepinspectievenster (zie pijl). Als het rood is werd de waterstopfunctie in gang gezet en moet de slang door een nieuwe worden vervangen.

Om deze slang los te schroeven op de ontspanknop drukken, terwijl de slang wordt losgeschroefd.

HET FILTERSISTEEM REINIGEN

Reinig het filtersysteem regelmatig, zodat de filters niet verstopen en het afvalwater correct weg stroomt.

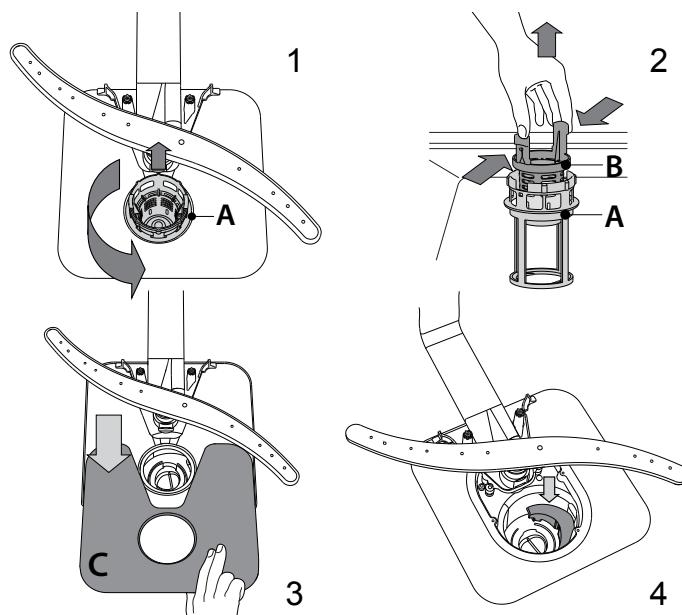
Het gebruik van vaatwasmachines met verstopte filters of vreemde voorwerpen in het filtersysteem of de sproeierarmen kan de slechte werking ervan en bijgevolg lagere prestaties, lawaai of een hoger verbruik van hulpbronnen veroorzaken.

Het filtersysteem bestaat uit drie filters die voedselresten uit het afwaswater verwijderen en vervolgens het water opnieuw laten circuleren.

De afwasmachine mag niet worden gebruikt zonder filters of als het filter is losgeraakt.

Controleer tenminste eens per maand of na elke 30 cyclussen het filtersysteem en reinig het eventueel grondig onder stromend water, met een niet-metalen borstel en volgens de onderstaande instructies:

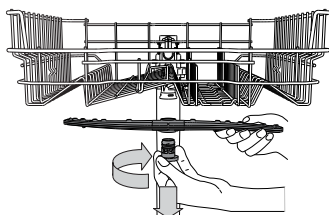
1. Draai het cilindrische filter **A** linksom en trek het uit (Afb. 1).
2. Verwijder het houderfilter **B** door licht op de zijkleppen te drukken (Afb. 2).
3. Schuif de roestvrij stalen plaat filter **C** er uit (Afb. 3).
4. Als u vreemde voorwerpen vindt (gebroken glas, porselein, beenderen, zaden van vruchten, enz.), **verwijderd u ze zorgvuldig**.
5. Inspecteer de sifon en verwijder eventuele voedselresten. **VERWIJDER NOOIT** de pompbescherming van het wasprogramma (zwart detail) (Afb. 4)



Na het schoonmaken van het filter het filtersysteem opnieuw plaatsen en goed op zijn plaats zetten; dit is essentieel voor het behoud van de efficiënte werking van de afwasmachine.

DE SPROEIERARMEN REINIGEN

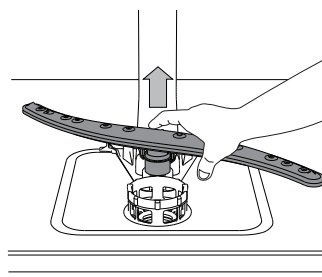
Af en toe kunnen er voedselresten op de sproeierarmen vastzitten en worden de openingen voor het water sproeien geblokkeerd. Het is daarom raadzaam dat u de armen van tijd tot tijd controleert en ze met een kleine niet-metalen borstel schoonmaakt.



Om de bovenste sproeierarm te verwijderen, draait u de plastic borging rechtsonder.

De bovenste sproeierarm moet worden vervangen, zodat de zijde met het grotere aantal openingen naar boven is gericht.

De onderste sproeierarm kan worden verwijderd door het omhoog te trekken.



WATERVERZACHTEND SYSTEEM

Waterverzachters reduceren automatisch de waterhardheid en voorkomen bijgevolg ketelsteenvorming op de verwarmers en dragen bij tot een efficiëntere reiniging.

Dit systeem wordt automatisch met zout geregenereerd, u dient dus het zoutreservoir te vullen wanneer het leeg is.

De frequentie van de regeneratie hangt af van de instelling van het waterhardheidsniveau - standaard wordt de regeneratie uitgevoerd om de 6 Eco-cyclussen met het waterhardheidsniveau ingesteld op 3.

Het regeneratieproces start tijdens de laatste spoeling en eindigt tijdens de droogfase, voordat de cyclus beëindigt.

- Eén enkele regeneratie verbruikt: ~3,5 liter water;
- Doet de cyclus 5 minuten langer duren;
- Verbruikt minder dan 0,005 kWh energie.

INSTALLATIE

Als het apparaat op een bepaald moment moet worden verplaatst, houd het dan rechtop; als dit absoluut noodzakelijk is, kan het op de rug worden gekanteld.

DE WATERTOEVOER AANSLUITEN

Het aansluiten van de watertoevoer voor installatie mag alleen door een gekwalificeerde technicus worden uitgevoerd.

De watertoevoer- en afvoerslangen kunnen naar rechts of naar links worden geplaatst, voor een zo goed mogelijke installatie.

Zorg ervoor dat er door de afwasmachine geen knikken in de slangen komen of dat de slangen geplet worden.

DE TOEVOERSLANG AANSLUITEN

- Het water laten lopen totdat het volkomen helder is.
- De toevoerslang strak aandraaien naar de gewenste positie en de kraan open draaien.

Als de toevoerslang niet lang genoeg is, neem dan contact op met een specialistische winkel of een erkende technicus.

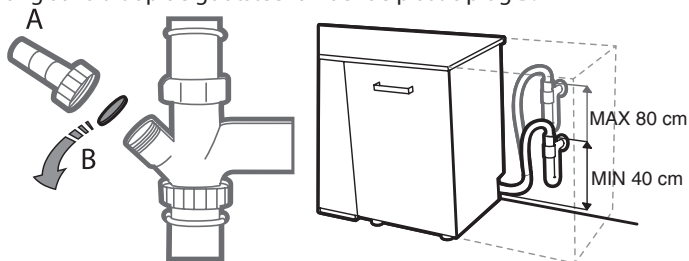
De waterdruk moet binnen de waarden vallen die in de tabel Technische Gegevens staan aangegeven - dan kan de afwasmachine naar behoren functioneren. Zorg ervoor dat er geen knik in de slang zit of dat de slang niet samengedrukt is.

SPECIFICATIES VOOR DE AANSLUITING VAN DE WATERTOEVOERSLANG:

WATERTOEVOER	koud of warm (max. 60°C)
WATERINLAAT	3/4"
KRACHT VAN WATERDRUK	0,05 ÷ 1 MPa (0.5 ÷ 10 bar) 7,25 – 145 psi

DE WATERAFVOERSLANG AANSLUITEN

De afvoerslang aansluiten op een aftapleiding met een minimale diameter van 2 cm **A**. De aansluiting van de afvoerslang moet op een hoogte zijn, variërend van 40 tot 80 cm vanaf de vloer of het oppervlak waar de afwasmachine op rust. Verwijder voordat u de waterafvoerslang aansluit op de gootsteenafvoer de plastic plug **B**.



ANTI-OVERSTROMINGBEVEILIGING

Anti-overstromingbeveiliging. Om te zorgen dat overstromingen niet voorkomen is de afwasmachine:

- voorzien van een speciaal systeem dat de watertoevoer blokkeert bij defecten of lekken binnen het apparaat.

Een aantal modellen zijn ook uitgerust met het extra veiligheidssysteem **New Aqua Stop**, dat anti-overstromingbeveiliging zelfs garandeert bij een breuk in de toevoerslang.

De watertoevoerslang mag onder geen beding worden doorgesneden, omdat het elektrische delen bevat.

ELEKTRISCHE AANSLUITING

⚡ WAARSCHUWING: De watertoevoerslang mag onder geen beding worden doorgesneden, omdat het elektrische delen bevat.

Voordat de stekker in het stopcontact wordt gestoken ervoor zorgen dat:

- De aansluiting **geaard** \equiv is en aan de huidige regelgeving voldoet; Het stopcontact bestand is tegen de maximale belasting van het apparaat, zoals staat aangegeven op het typeplaatje aan de binnenkant van de deur (*zie OVERZICHT*).
- Het netspanningsvoltage valt binnen de waarden die staan aangegeven op het typeplaatje aan de binnenkant van de deur.

• Het stopcontact is compatibel met de stekker van het apparaat. Als dit niet het geval is vraag dan een erkende monteur om de stekker te vervangen (*zie ONDERSTEUNING*). Gebruik geen verlengkabels of meervoudige stopcontacten. Zodra het apparaat is geïnstalleerd moeten de stroomkabel en het stopcontact gemakkelijk toegankelijk zijn. De kabel moet zonder knikken en niet samengeperst zijn.

Als de stroomkabel beschadigd is deze laten vervangen door de fabrikant of een erkende technische hulpdienst, om alle mogelijke gevaren te voorkomen.

Het bedrijf is niet aansprakelijk voor eventuele incidenten, als deze voorschriften niet worden nageleefd.

The Company shall not be held responsible for any incidents, if these regulations are not observed.

PLAATSEN EN WATERPAS ZETTEN

1. Plaats de afwasmachine op een vlakke stevige vloer. Als de vloer ongelijk is kunnen de voorste poten van het apparaat worden afgesteld, totdat het horizontaal staat. Als het apparaat correct waterpas staat is het stabiel en is er veel minder kans dat het beweegt of trillingen en lawaai veroorzaakt tijdens de werking.
2. Voordat de afwasmachine in een nis wordt gezet de zelfklevende transparante strip onder de houten plank vastplakken, om het te beschermen tegen eventuele condensatievorming.
3. Plaats de afwasmachine zodanig dat de zijkanten of achterzijde tegen de aangrenzende kasten of de muur aankomen. Dit apparaat kan ook worden ingebouwd onder een enkel aanrechtblad.
4. Voor het afstellen van de hoogte van de achterste voet de rode zeshoekige bus op het lagere middengedeelte aan de voorkant van de afwasmachine draaien met een zeshoekig moersleutel met een opening van 8 mm. De moersleutel naar rechts draaien om de hoogte te vergroten en naar links om de hoogte te verkleinen.

AFMETINGEN EN CAPACITEIT:

BREEDTE	598 mm
HOOGTE	820 mm
DIEPTE	555 mm
VERMOGEN	14 standaard couverts

PROBLEMEN OPLOSSEN

Als uw vaatwasmachine niet goed werkt, doorloopt u de onderstaande lijst om te controleren u of u het probleem kunt verhelpen. Voor andere fouten of problemen neemt u contact op met de bevoegde Consumentenservice, de contactgegevens ervan vindt u in de garantieboekje. De fabrikant verzekert dat de reserveonderdelen tenminste 10 jaren na de datum van productie van dit apparaat te verkrijgen zullen zijn.

PROBLEMEN	MOGELIJKE OORZAKEN	OPLOSSINGEN
 Zoutindicator brandt	Zoutreservoir is leeg. (Na het bijvullen kan het controlelampje van het zoutniveau blijven branden gedurende een aantal afwascycli).	Vul reservoir bij met zout (voor meer informatie - raadpleeg pagina 60). Pas de waterhardheid aan - zie tabel, pagina 60.
 Glansspoelmiddelindicator brandt	Glansspoelmiddelreservoir is leeg. (Na het bijvullen kan het controlelampje van het glansspoelmiddel blijven branden gedurende een aantal afwascycli).	Vul reservoir bij met glansspoelmiddel (voor meer informatie - raadpleeg pagina 60).
De afwasmachine start niet of reageert niet op opdrachten.	Het apparaat is niet goed aangesloten.	Steek de stekker in het stopcontact.
	Stroomuitval.	Om veiligheidsredenen wordt de vaatwasmachine niet automatisch opnieuw gestart wanneer er opnieuw stroom is. Open de deur van de vaatwasmachine, druk op de START/Pauze-toets en sluit de deur binnen 4 sec.
	De deur van de afwasmachine is niet goed gesloten. De CoolDry-pin is niet ingetrokken. De cyclus wordt onderbroken als de deur > 4 seconden wordt geopend.	De deur krachtig aanduwen totdat u de „klik” hoort.
	Het reageert niet op opdrachten. Weergave op het display: 9 of 12 en de AAN/UIT-led knippert snel	Druk op START/Pauze en sluit de deur binnen 4 seconden. Het toestel uitschakelen door de knop AAN/UIT in te drukken, na ongeveer een minuut weer inschakelen en het programma opnieuw starten. Als het probleem aanblijft, trekt u de stekker van het apparaat 1 minuut lang uit, breng dan de stekker terug in.
De afwasmachine pompt niet af. Weergave op het display: 3 en de AAN/UIT-led knippert snel.	Het wasprogramma is nog niet klaar.	Wacht totdat het wasprogramma klaar is.
	Er zit een knik in de afvoerslang.	Controleer of er geen knik zit in de afvoerslang (zie <i>INSTALLATIEGIDS</i>).
	De pijp van de gootsteenafvoer is geblokkeerd.	Reinig de pijp van de gootsteenafvoer.
	Het filter is verstopt met voedselresten	Reinig het filter (zie <i>HET FILTERSYSTEEM REINIGEN</i>).
De afwasmachine maakt veel lawaai.	Het vaatwerk rammelt tegen elkaar.	Rangschik het serviesgoed goed (zie <i>REKKEN VULLEN</i>).
	Er is een bovenmatige hoeveelheid schuim geproduceerd.	Het vaatwasmiddel is niet goed afgemeten of het is niet geschikt voor gebruik in afwasmachines (zie <i>REKKEN VULLEN</i>). Start de actuele wascyclus opnieuw: schakel de afwasmachine UIT, vervolgens terug in, selecteer een nieuw programma, druk op START/Pauze en sluit de deur binnen 4 seconden. Voeg geen vaatwasmiddel toe.
Het vaatwerk is niet schoon.	Het serviesgoed is niet goed gerangschikt.	Rangschik het serviesgoed goed (zie <i>REKKEN VULLEN</i>).
	De sproeierarmen kunnen niet vrij draaien, ze worden door het vaatwerk belemmerd.	Rangschik het serviesgoed goed (zie <i>REKKEN VULLEN</i>).
	Het wasprogramma is te zacht.	Selecteer een geschikt wasprogramma (zie <i>PROGRAMMATABEL</i>).
	Er is een bovenmatige hoeveelheid schuim geproduceerd.	Het vaatwasmiddel is niet goed afgemeten of het is niet geschikt voor gebruik in afwasmachines.
	De dop op het glansspoelmiddelcompartiment is niet correct afgesloten.	Zorg ervoor dat de dop van het glansspoelmiddelbakje is gesloten.
	Het filter is bevuild of verstopt.	Reinig het filtersysteem (zie <i>VERZORGING EN ONDERHOUD</i>).
De afwasmachine vult zich niet met water. Weergave op het display: H , 6 en de AAN/UIT-led knippert snel.	Er is geen zout.	Vul het zoutreservoir (zie <i>HET ZOUTRESERVOIR BIJVULLEN</i>).
	Geen water in de watertoevoer of de kraan is gesloten.	Zorg ervoor dat er water in de watertoevoer komt of dat de kraan loopt.
	Er zit een knik in de toevoerslang.	Controleer of er geen knik in de toevoerslang zit (zie <i>INSTALLATIE</i>), de afwasmachine herprogrammeren en rebooten.
De vaatwasmachine beëindigt de cyclus voortijdig. Weergave op het display: 15 en de AAN/UIT-led knippert snel.	De zeef in de watertoevoerslang is verstopt; het moet gereinigd worden.	Na het controleren en reinigen, de afwasmachine uitschakelen en inschakelen en een nieuw programma starten.
	De afvoerslang bevindt zich te laag of heveling in het huishoudelijke afvalwatersysteem.	Controleer of het uiteinde van de afvoerslang zich op de juiste hoogte bevindt (zie <i>INSTALLATIE</i>). Controleer de heveling in het huishoudelijke afvalwatersysteem, installeer zo nodig een luchttoevoerklap.
	Lucht in watertoevoer.	Controleer de watertoevoer op lekken of andere problemen die lucht inlaten.

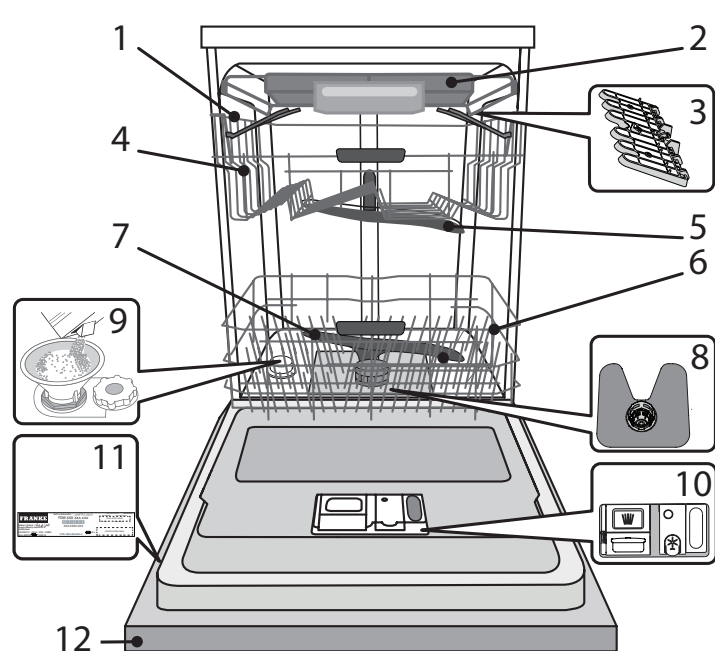
ÍNDICE

VISÃO GERAL.....	70
PRIMEIRA UTILIZAÇÃO	71
TABELA DE PROGRAMAS	72
OPÇÕES E FUNÇÕES.....	73
CARREGAR OS CESTOS	74
UTILIZAÇÃO DIÁRIA.....	75
CONSELHOS E SUGESTÕES	75
LIMPEZA E MANUTENÇÃO	76
INSTALAÇÃO.....	77
RESOLUÇÃO DE PROBLEMAS.....	78
SUPORTE.....	79

GUIA DE USUARIO

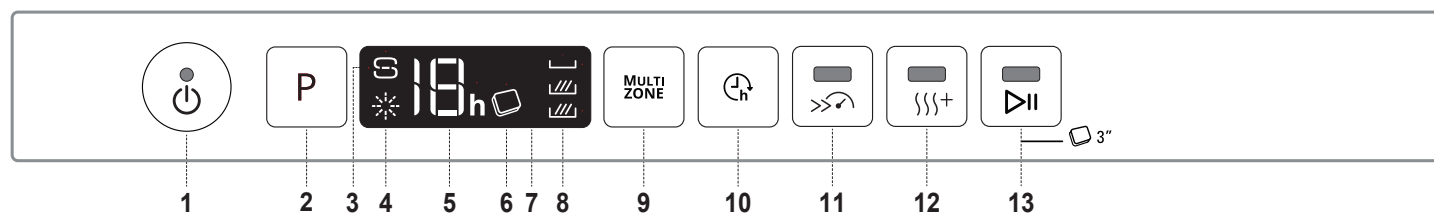
Leia as Instruções de Segurança com atenção antes de usar o aparelho.

VISÃO GERAL



1. Cesto superior
2. Tabuleiro dos talheres
3. Abas dobráveis
4. Ajuste da altura do cesto superior
5. Braço aspersor superior
6. Cesto inferior
7. Braço aspersor inferior
8. Conjunto de filtros
9. Depósito de sal
10. Distribuidores de detergente e abrillantador
11. Chapa de características
12. Painel de comandos

PAINEL DE COMANDOS



1. Botão Ligar-Desligar/Reinicie com indicador luminoso
2. Botão para seleção de programas
3. Luz indicadora de reabastecimento do sal
4. Luz indicadora de reabastecimento do abrillantador
5. Número do programa e indicador do tempo de atraso
6. Tablet indicator light
7. Visor
8. Indicador luminoso Multizone
9. Botão Multizone
10. Botão de início diferido
11. Botão Turbo com indicador luminoso
12. Botão Extra Dry com indicador luminoso
13. Botão Início/Pausa com indicador luminoso/pastilha (Tab)


PRIMEIRA UTILIZAÇÃO SAL, ABRILHANTADOR E DETERGENTE

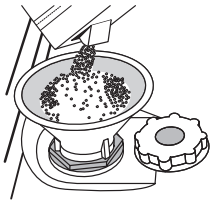
Após a instalação, retire os elementos de fixação dos cestos e os elementos de retenção elásticos do cesto superior.

ENCHER O DEPÓSITO DO SAL

A utilização de sal evita a formação de calcário na loiça e nos componentes funcionais da máquina.

- É obrigatório que **O DEPÓSITO DE SAL NUNCA ESTEJA VAZIO.**
- É importante definir a dureza da água.

O depósito de sal situa-se na parte inferior da máquina de lavar loiça (ver **DESCRIÇÃO DOS PRODUTOS**) e tem ser enchido quando o **indicador luminoso REABASTECIMENTO DO SAL**  estiver aceso no painel de comandos.



1. Retire o cesto inferior e desaperte a tampa do depósito (no sentido contrário ao dos ponteiros do relógio).
2. **Apenas na primeira vez em que o fizer: encha o depósito de sal com água.**
3. Posicione o funil (ver a figura) e encha o depósito de sal até ao rebordo (aprox. 1 kg); é normal que saia alguma água.
4. **Retire o funil e limpe qualquer resíduo de sal da abertura.**

Certifique-se de que a tampa está bem apertada para que não entre detergente no depósito durante o programa de lavagem (tal pode danificar o amaciador de água de modo irreparável).

Se for necessário adicionar sal, é obrigatório executar o procedimento antes do início do ciclo de lavagem para evitar corrosão.

DEFINIR A DUREZA DA ÁGUA

Para que o amaciador de água funcione corretamente, é essencial que a definição de dureza da água tenha por base a dureza da água existente em sua casa. Pode obter esta informação consultando a empresa de abastecimento de água local.

A fábrica define o valor padrão para a dureza da água:

- Ligue a máquina premindo o botão LIGAR/DESLIGAR.
- Desligue a máquina premindo o botão LIGAR/DESLIGAR.
- Mantenha premido o botão P durante 5 segundos, até ouvir um sinal sonoro.
- Ligue a máquina premindo o botão LIGAR/DESLIGAR.
- O número do nível selecionado atualmente e o indicador luminoso do sal ficam intermitentes.
- Prima o botão P para selecionar o nível de dureza da água pretendido (ver a **TABELA DE DUREZA DA ÁGUA**).

Tabela de dureza da água				
Nível		°dH Graus Alemães	°fH Graus Franceses	°Clark Graus ingleses
1	Macia	0 - 6	0 - 10	0 - 7
2	Média	7 - 11	11 - 20	8 - 14
3	Média	12 - 16	21 - 29	15 - 20
4	Dura	17 - 34	30 - 60	21 - 42
5	Muito dura	35 - 50	61 - 90	43 - 62

- Desligue a máquina premindo o botão LIGAR/DESLIGAR.


A definição está concluída!

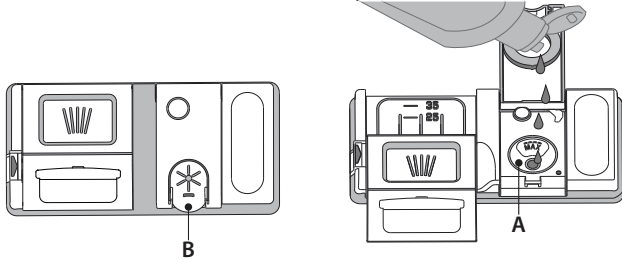
Assim que este procedimento estiver concluído, execute um programa sem carregar qualquer loiça na máquina.

Utilize apenas sal especificamente concebido para máquinas de lavar loiça. Depois de colocar o sal na máquina, o indicador luminoso REABASTECIMENTO DO SAL apaga-se.

Se o depósito de sal não for enchido, o amaciador de água e o elemento de aquecimento podem ser danificados em resultado da acumulação de calcário. A utilização de sal é recomendada com qualquer tipo de detergente para a máquina de lavar loiça.

ENCHER O DISTRIBUIDOR DE ABRILHANTADOR

O abrillantador facilita a SECAGEM da loiça. O distribuidor de abrillantador **A** deve ser enchido quando o **indicador luminoso de REABASTECIMENTO DO ABRILHANTADOR**  no painel de comandos se acender.



1. Abra o distribuidor B pressionando e puxando a patilha da tampa.
2. Encha cuidadosamente com abrillantador até ao entalhe de referência máximo (110 ml) da área de enchimento, evitando derramá-lo. Se isso acontecer, limpe imediatamente com um pano seco.
3. Pressione a tampa para baixo até ouvir um clique de fecho.

NUNCA deite o abrillantador diretamente na cuba da máquina.

AJUSTAR A DOSAGEM DE ABRILHANTADOR

Se não estiver completamente satisfeito(a) com os resultados da secagem, pode ajustar a quantidade de abrillantador utilizado.

- Ligue a máquina de lavar loiça com o botão LIGAR/DESLIGAR.
- Desligue-a com o botão LIGAR/DESLIGAR.
- Prima o botão P três vezes; será audível um sinal sonoro.
- Ligue-a com o botão LIGAR/DESLIGAR.
- O número do nível selecionado atualmente e o indicador luminoso do abrillantador ficam intermitentes.
- Prima o botão P para selecionar a quantidade de abrillantador a distribuir.
- Desligue-a com o botão LIGAR/DESLIGAR

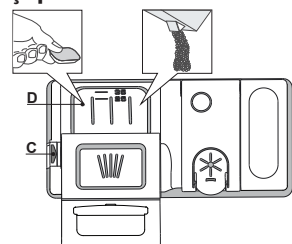
A definição está concluída!

Se o nível de abrillantador estiver definido para ZERO (ECO), não será distribuído abrillantador. O indicador luminoso de POUCO ABRILHANTADOR não se acende se o abrillantador acabar. É possível definir um máximo de 5 níveis, de acordo com o modelo da máquina de lavar loiça. As definições de fábrica são específicas deste modelo, pelo que deverá seguir as instruções acima para utilizar corretamente a sua máquina de lavar loiça

- Se a loiça possuir riscas azuladas, defina um nível baixo (1-2).
- Se existirem gotas de água ou marcas de calcário na loiça, defina um número alto (3-4).

ENCHER O DISTRIBUIDOR DE DETERGENTE

A utilização de detergentes inapropriados para máquinas de lavar loiça poderá causar avarias ou danos no aparelho.



Para abrir o distribuidor de detergente, utilize o dispositivo de abertura C. Coloque o detergente apenas no distribuidor seco D. Coloque a quantidade de detergente para pré-lavagem diretamente na cuba.

1. Para dosear o detergente, consulte as informações anteriormente mencionadas para adicionar a quantidade correta. No interior do distribuidor D, existem indicações que ajudam a dosear o detergente.
2. Elimine os resíduos de detergente dos rebordos do distribuidor e feche a tampa até fazer clique.
3. Feche a tampa do distribuidor de detergente puxando-a para cima até que o dispositivo de fecho esteja fixo no devido local.

O distribuidor de detergente abre-se automaticamente no momento certo, de acordo com o programa.

Se forem utilizados detergentes tudo-em-um, recomendamos a utilização do botão **PASTILHA**, uma vez que este ajusta o programa para que sejam sempre obtidos os melhores resultados de lavagem e secagem.

TABELA DE PROGRAMAS

Programa	Fase de secagem	CoolDry	Opções disponíveis *)	Duração do programa de lavagem (h:min)**)	Consumo de água (litres/ciclo)	Consumo de energia (kWh/ciclo)	
1. Eco	50°	✓	✓		3:10	9,5	0,85
2. Auto	50-60°	✓	✓	MULTI ZONE	1:25 - 3:00	7,0 - 14,0	0,90 - 1,40
3. Intensivo	65°	✓	✓	MULTI ZONE	2:50	17,0	1,60
4. Lavagem e Secagem Rápidas	50°	✓	✓	MULTI ZONE	1:25	11,5	1,10
5. Cristais	45°	✓	✓	MULTI ZONE	1:40	12,0	1,20
6. Rápido 30'	45°	-	✓	MULTI ZONE	0:30	9,0	0,50
7. Silencioso	50°	✓	✓		3:30	16,0	1,15
8. Desinfecção	65°	✓	-		1:40	12,0	1,30
9. Pré-lavagem	-	-	-	MULTI ZONE	0:12	4,5	0,01
10. Limpeza automática	65°	-	-		0:50	8,0	0,85

Os dados do programa ECO são avaliados em condições laboratoriais de acordo com a norma europeia EN 60436:2020.

Não é necessário efetuar qualquer tipo de pré-tratamento da loiça antes de iniciar os programas.

*) Nem todas as opções podem ser utilizadas em simultâneo.

**) Os valores apresentados para todos os programas, à exceção do programa Eco, são meramente indicativos. O tempo real poderá variar dependendo de vários fatores, tais como a temperatura e a pressão da água de entrada, a temperatura ambiente, a quantidade de detergente, a quantidade e o tipo de carga, o equilíbrio da carga, as opções adicionais selecionadas e a calibragem do sensor. A calibragem do sensor pode aumentar a duração do programa até 20 min.

DESCRIÇÃO DOS PROGRAMAS

Instruções sobre a seleção do ciclo de lavagem.

1 ECO

O programa Eco é ideal para lavar loiça com um nível de sujidade normal, sendo o programa mais eficiente para o efeito em termos da sua utilização combinada de energia e de água e estando em conformidade com a legislação de conceção ecológica da UE.

2 AUTO

Para loiça com um grau de sujidade normal, com restos de comida secos. Deteta o nível de sujidade da loiça e ajusta o programa.

3 INTENSIVO

Programa aconselhado para loiça muito suja, sendo particularmente indicado para tachos e panelas (não deve ser utilizado para objetos frágeis).

4 LAVAGEM E SECAGEM RÁPIDAS

Loiça com um grau de sujidade normal. Ciclo diário, que garante um desempenho de limpeza e secagem ideais num período de tempo mais curto.

5 CRISTAIS

Programa para objetos frágeis e mais sensíveis a temperaturas elevadas, tais como copos de vidro e chávenas.

6 RÁPIDO 30'

Programa a ser utilizado para meia carga de loiça com sujidade ligeira, sem restos de comida secos. Não tem uma fase de secagem

7 SILENCIOSO

Adequando para um funcionamento noturno do aparelho. Garante um desempenho de limpeza e secagem ideais com a menor emissão menor de ruído possível.

8 DESINFECÇÃO

Loiça com um grau de sujidade normal ou muito suja, com uma ação antibacteriana suplementar. Programa a utilizar para efetuar a manutenção da máquina de lavar loiça.

9 PRÉ-LAVAGEM

Utilizado para refrescar a loiça a ser lavada mais tarde. Neste programa não é utilizado detergente.

10 LIMPEZA AUTOMÁTICA

Programa a ser utilizado para efetuar a manutenção da máquina de lavar loiça, a ser efetuado apenas quando a máquina de lavar loiça estiver VAZIA e utilizando detergentes específicos concebidos para a manutenção de máquinas de lavar loiça.

Notas:

Note que o ciclo de lavagem *Rápido 30'* destina-se à lavagem de loiça com sujidade ligeira.

OPÇÕES E FUNÇÕES

É possível selecionar diretamente a função OPÇÕES premindo o botão correspondente (ver PAINEL DE COMANDOS). Se uma opção não for compatível com o programa selecionado (consulte a TABELA DE PROGRAMAS), o LED correspondente pisca rapidamente 3 vezes e é emitido um sinal sonoro. A opção não será ativada..

MULTI MULTIZONE

Se a carga de loiça a lavar seja reduzida poderá ser utilizado o programa de meia carga para poupar água, eletricidade e detergente.

Selecione o programa e prima o botão MULTIZONE: o símbolo do cesto selecionado aparece no visor. Por pré-definição, a máquina lava a loiça em todos os cestos.

Para lavar apenas a loiça de um cesto específico, prima repetidamente este botão:



apresentado no visor (apenas cesto inferior)



apresentado no visor (apenas cesto superior)



apresentado no visor (apenas cesto dos talheres)



apresentado no visor (opção DESATIVADA, a máquina lava a loiça em todos os cestos).

Lembre-se de colocar loiça apenas no cesto superior ou inferior e de reduzir a quantidade de detergente utilizada em conformidade. Se o cesto superior for removido, aplique o detergente diretamente na cuba e não na gaveta do detergente.

INÍCIO DIFERIDO

A hora de início do programa poderá ser atrasada num período entre **1 e 12 horas**.

1. Prima o botão INÍCIO DIFERIDO: o símbolo correspondente «h» surge no visor; sempre que premir o botão, a hora (1h, 2h, etc., até ao máx. de 12h) de início do ciclo de lavagem selecionado aumenta.
2. Selecione o programa de lavagem, prima o botão INÍCIO/PAUSA e feche a porta no espaço de 4 segundos: o temporizador dará início à contagem decrescente.
3. Decorrido este tempo, o indicador luminoso «h» apaga-se e o ciclo de lavagem começa.

Para ajustar o tempo do início diferido e selecionar um período de tempo mais curto, prima o botão INÍCIO DIFERIDO. Para cancelar, prima repetidamente o botão até que o indicador luminoso «h» correspondente ao início diferido selecionado se apague.

O programa de lavagem começa automaticamente logo que feche a porta.

Não é possível definir a função de INÍCIO DIFERIDO depois de um ciclo de lavagem já ter sido iniciado.

TURBO

É possível utilizar esta opção para reduzir a duração dos programas principais, mantendo os mesmos níveis de desempenho em termos de lavagem e de secagem.

Depois de selecionar o programa, prima o botão TURBO; o indicador luminoso acende-se. Para cancelar esta opção, volte a premir o mesmo botão.

EXTRA DRY

Para melhorar a secagem da loiça, depois de selecionar o programa, prima o botão EXTRA DRY; o indicador luminoso acende-se. Uma temperatura mais elevada durante a lavagem final e uma fase de secagem alargada permitem melhorar o processo de secagem. Para cancelar a opção, volte a premir o mesmo botão. A opção EXTRA DRY provoca o aumento da duração do ciclo de lavagem.

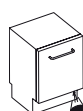


PASTILHA (Tab)

Esta definição permite otimizar o desempenho do programa de acordo com o tipo de detergente utilizado.

Prima o botão INÍCIO/PAUSA durante 3 segundos (o símbolo correspondente acende-se) se utilizar uma combinação de detergentes em formato de pastilha (abrilhantador, sal e detergente numa dose).

Se utilizar detergente líquido ou em pó, esta opção deve estar desativada.



INDICADOR DE OPERAÇÃO

Um indicador luminoso LED projetado no chão indica que a máquina de lavar loiça está em funcionamento. É possível selecionar um dos seguintes modos de funcionamento:

- a) Função desativada.
- b) Quando o ciclo começa, a o indicador luminoso acende-se durante alguns segundos, mantendo-se apagado durante o ciclo e ficando intermitente no final do mesmo.
- c) O indicador luminoso mantém-se aceso durante o ciclo e fica intermitente no final do mesmo (modo pré-definido).

Se estiver definido o início diferido, o indicador luminoso acende-se durante os primeiros segundos ou ao longo de toda a duração da contagem decrescente, conforme esteja selecionado o modo b) ou c). O indicador luminoso apaga-se sempre que a porta é aberta. Para selecionar o modo pretendido, ligue a máquina, mantenha premido o botão **P** até que apareça uma das três letras no visor; em seguida, prima o botão **P** até chegar à letra pretendida (ou ao modo pretendido) e mantenha premido o botão **P** para confirmar a seleção.

Nota: Se a função CoolDry estiver ativa e abrir a porta, o indicador de Operação não irá piscar no final do ciclo.

CoolDry

CoolDry é composto por um sistema de secagem por convecção que abre automaticamente a porta durante/após o ciclo de secagem, de forma a garantir um excelente desempenho de secagem diariamente. A porta abre-se apenas quando detetar uma temperatura segura o suficiente para os seus móveis de cozinha, pelo que não pode ser aberta com a opção TURBO ativada.

Como proteção adicional contra o vapor, é fornecida juntamente com a máquina de lavar loiça uma película de proteção especialmente concebida para o efeito. Para mais informações sobre como instalar esta película de proteção, consulte o GUIA DE INSTALAÇÃO.

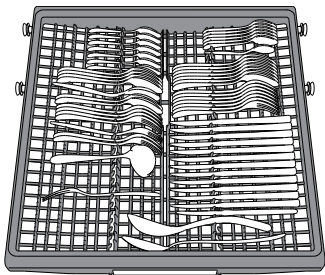
A função CoolDry pode ser desativada pelo utilizador da seguinte forma:

1. No menu do software da máquina de lavar loiça prima e mantenha premido o botão **P** (6 segundos).
2. Encontra-se atualmente no Menu de Controlo da Iluminação (consulte as instruções na secção INDICADOR DE OPERAÇÃO); caso não deseje efetuar quaisquer alterações, prima e mantenha premido o botão **P** (until one of the two letters appears on the display).
3. No Menu de Controlo da Função CoolDry poderá alterar a função CoolDry premindo o botão **P**:
E – ativado **d** – desativado

Para confirmar a sua alteração e sair do Menu de Controlo da Função CoolDry, prima e mantenha premido o botão **P** (3 segundos).

CARREGAR OS CESTOS

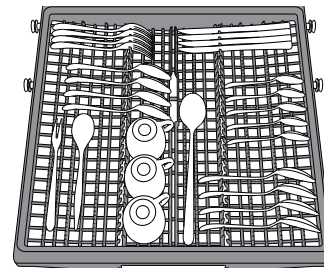
TABULEIRO DOS TALHERES



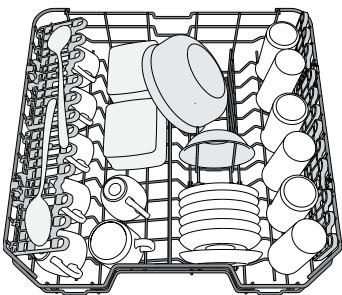
O terceiro cesto foi concebido para colocar os talheres. Posicione os talheres conforme se mostra na figura. Uma disposição separada dos talheres facilita a sua remoção após a lavagem e melhora o desempenho da lavagem e da secagem.

As facas e os outros utensílios afiados têm de ser colocados com as lâminas voltadas para baixo.

A geometria do cesto permite a colocação de objetos pequenos, tais como chávenas de café, na área central.



CESTO SUPERIOR



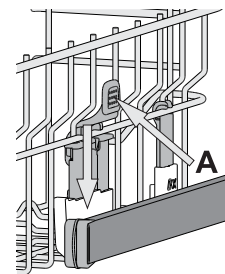
(exemplo de carga no cesto superior)

Carregue neste cesto a louça frágil e leve: copos, chávenas, pires, tigelas.

AJUSTAR A ALTURA DO CESTO SUPERIOR

É possível ajustar a altura do cesto superior: utilize uma posição mais elevada para colocar louça mais volumosa no cesto inferior e uma posição mais baixa para aproveitar ao máximo os suportes rebatíveis, criando mais espaço superior e evitando o choque com os objetos colocados no cesto inferior.

O cesto superior está equipado com um **ajuste de altura do cesto superior** (consulte a figura); sem pressionar as alavancas, eleve o cesto segurando-o pelas partes laterais, logo que o cesto fique estável na posição superior. Para voltar à posição inferior, pressione as alavancas **A** existentes nas partes laterais do cesto e desloque-o para baixo.



Recomendamos vivamente que não ajuste a altura do cesto quando este está carregado.

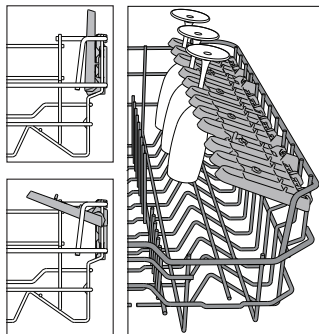
NUNCA eleve ou baixe o cesto apenas de um lado.

ABAS DOBRÁVEIS COM POSIÇÃO AJUSTÁVEL

As abas laterais podem ser dobradas ou desdobradas para otimizar a disposição da louça dentro do cesto. Os copos de vinho podem ser posicionados em segurança nas abas dobráveis, introduzindo o pé de cada copo nas ranhuras correspondentes.

Conforme o modelo:

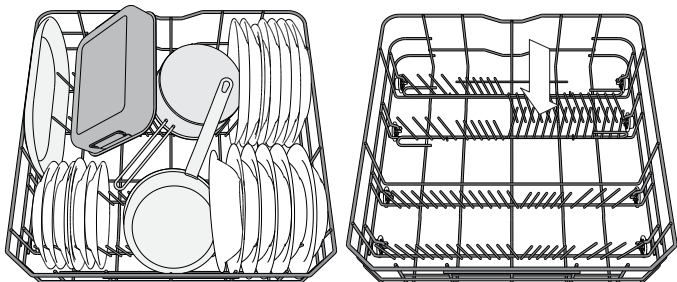
- para desdobrar as abas, é necessário deslizá-las para cima e rodá-las ou soltá-las dos encaixes e puxá-las para baixo.
- para dobrar as abas, é necessário rodá-las e deslizá-las para baixo ou puxá-las para cima e encaixá-las nos respetivos encaixes.



CESTO INFERIOR

Para tachos, tampas, pratos, saladeiras, talheres, etc.. Os pratos e as tampas grandes devem ser colocados dos lados, a fim de evitar interferências com o braço aspersor.

O cesto inferior tem suportes rebatíveis, que podem ser utilizados numa posição vertical para colocar pratos ou numa posição horizontal (inferior) para colocar facilmente tachos ou saladeiras.



(exemplo de carga para o cesto inferior)

UTILIZAÇÃO DIÁRIA

1. VERIFICAR A LIGAÇÃO AO ABASTECIMENTO DE ÁGUA

Certifique-se de que a máquina de lavar loiça está ligada à rede de abastecimento de água e que a torneira está aberta.

2. LIGAR A MÁQUINA DE LAVAR LOIÇA

Abra a porta e prima o botão LIGAR/DESLIGAR.

3. CARREGAR OS CESTOS (ver CARREGAR OS CESTOS)

4. ENCHER O DISTRIBUIDOR DE DETERGENTE

5. SELECIONAR UM PROGRAMA E PERSONALIZAR O CICLO

Selecione o programa mais adequado consoante o tipo de loiça e o nível de sujidade (ver *DESCRIÇÃO DOS PROGRAMAS*), premindo o botão P. Selecione as opções pretendidas (ver *OPÇÕES E FUNÇÕES*).

6. INICIAR

Inicie o ciclo de lavagem premindo o botão INÍCIO/PAUSA (o LED acende-se) e feche a porta no espaço de 4 segundos. Quando o programa começar, é emitido um sinal sonoro. Se a porta da máquina não for fechada no espaço de 4 segundos, é emitido um sinal sonoro de aviso. Neste caso, abra a porta, prima o botão INÍCIO/PAUSA e feche a porta novamente no espaço de 4 segundos.

7. FINAL DO CICLO DE LAVAGEM

O fim do ciclo de lavagem é indicado por sinais sonoros e por piscamento do indicador do ciclo de lavagem no painel e na luz no chão (se ativado). Abra a porta e desligue a máquina premindo o botão LIGAR/DESLIGAR.

Aguarde alguns minutos antes de retirar os talheres, a fim de evitar queimaduras. Descarregue os cestos, começando pelo inferior.

A máquina desliga-se automaticamente durante períodos alargados de inatividade, a fim de reduzir o consumo de energia. Se a loiça estiver apenas ligeiramente suja ou tiver sido passada por água antes de ser colocada na máquina de lavar loiça, diminua a quantidade de detergente utilizado em conformidade.

MUDAR UM PROGRAMA EM CURSO

Se tiver sido selecionado um programa incorreto, é possível mudá-lo, desde que o mesmo tenha começado há pouco tempo: abra a porta, prima sem soltar o botão LIGAR/DESLIGAR e a máquina desliga-se. Volte a ligar a máquina utilizando o botão LIGAR/DESLIGAR e selecione um novo ciclo de lavagem e as opções pretendidas; Inicie o ciclo de lavagem premindo o botão INÍCIO/PAUSA e feche a porta no espaço de 4 segundos.

ADICIONAR MAIS LOIÇA

Sem desligar a máquina, abra a porta (o LED do botão INÍCIO/PAUSA começa a piscar), **tendo cuidado com o vapor QUENTE**, e coloque a loiça adicional no interior da máquina de lavar loiça. Prima o botão INÍCIO/PAUSA e feche a porta no espaço de 4 segundos para retomar o ciclo no ponto em que foi interrompido.

INTERRUPÇÕES ACIDENTAIS

Se a porta for aberta durante o ciclo de lavagem ou se houver um corte de energia, o ciclo para. Prima o botão INÍCIO/PAUSA e feche a porta no espaço de 4 segundos para retomar o ciclo no ponto em que foi interrompido.

CONSELHOS E SUGESTÕES

CONSELHOS

Antes de carregar os cestos, elimine todos os restos de comida da loiça e esvazie os copos. **Não é necessário passar previamente a loiça por água corrente.** Disponha a loiça de modo a que fique firme e não vire; disponha os recipientes com as aberturas voltadas para baixo e os elementos côncavos/convexos na diagonal, a fim de permitir que a água chegue a toda a superfície e flua facilmente.

Aviso: as tampas, as pegas, os tabuleiros e as frigideiras não impedem a rotação dos braços aspersores. Coloque os objetos pequenos no cesto dos talheres. A loiça e os tachos muito sujos devem ser colocados no cesto inferior, uma vez que nesta área a aspersão de água é mais intensa e permite obter melhores resultados de lavagem.

Depois de carregar a máquina, certifique-se de que os braços aspersores conseguem rodar livremente.

SUGESTÕES PARA POUPAR ENERGIA

- Se a máquina de lavar loiça for utilizada de acordo com as instruções do fabricante, **um ciclo de lavagem de loiça consome habitualmente MENOS ENERGIA e água do que uma lavagem manual da loiça.**
- Para maximizar a eficiência da máquina de lavar loiça, **recomenda-se que inicie o ciclo de lavagem assim que a máquina esteja totalmente carregada com loiça.** Ao carregar a máquina de lavar loiça até à capacidade máxima indicada pelo fabricante irá contribuir para poupar energia e água. Poderá encontrar informações sobre o carregamento correto da loiça na secção "CARREGAR OS CESTOS". Caso a máquina de lavar loiça seja carregada apenas parcialmente, recomenda-se que utilize as opções de lavagem dedicadas, se disponíveis (Meia carga/ Zone Wash/ Multizone), carregando loiça apenas nos cestos selecionados para o efeito. Carregar ou sobrecarregar incorretamente a máquina de lavar loiça pode aumentar o uso de recursos (como água, energia e tempo, além de aumentar o nível de ruído), reduzindo o desempenho de limpeza e de secagem.
- A pré-lavagem manual de loiça causa um aumento do consumo de água e de energia, não sendo, portanto, recomendada.

HIGIENIZAÇÃO

Para evitar odores e acumulação de sedimentos na máquina de lavar loiça, **execute um programa de temperatura elevada pelo menos uma vez por mês.** Utilize uma colher de chá de detergente e coloque a máquina a funcionar sem carga para efetuar a limpeza do aparelho.

LOIÇA INADEQUADA

Louça não idónea para a lavagem em máquina de lavar loiça:

- Panelas e louça de madeira: podem-se estragar por causa das altas temperaturas de lavagem;
- Objectos de artesanato: raramente são apropriados para serem lavados em máquina de lavar loiça. As temperaturas relativamente altas da água e os detergentes usados podem danificá-los;
- Louça de plástico: a louça de plástico resistente ao calor deve ser lavada no cesto superior;
- Louça e objectos de cobre, estanho, zinco e latão: tendem a ficar manchados;
- Louça de alumínio: a louça de alumínio anodizado pode descolorar;
- Prataria: a louça de prata pode manchar-se;
- Vidro e cristal: em geral objectos de vidro e de cristal podem ser lavados na máquina de lavar loiça. Todavia existem alguns tipos de vidro e de cristal que depois de muitas lavagens podem ficar opacos e perder a sua transparência; para este tipo de materiais aconselhamos utilizar sempre o programa menos forte existente na tabela dos programas;
- Louça com decorações: os objectos decorados que se encontram no comércio têm em geral uma boa resistência às lavagens em máquina de lavar loiça mesmo se, depois de lavagens frequentes, pode acontecer que as cores empalideçam. Em caso de dúvidas com relação à resistência das cores é apropriado lavar poucas peças de cada vez durante um mês.

DANOS EM VIDRO E LOIÇA

- Coloque apenas vidros e porcelana que tenham garantia do fabricante como sendo adequados para lavagem na máquina de lavar loiça.
- Utilize um detergente suave adequado para loiça
- Retire os vidros e a loiça da máquina de lavar loiça assim que o ciclo de lavagem termine.

LIMPEZA E MANUTENÇÃO

**Desligue sempre a máquina durante a limpeza e quando efectuar trabalhos de manutenção.
Não utilize líquidos inflamáveis para limpar a máquina.**

LIMPAR A MÁQUINA DE LAVAR LOIÇA

É possível eliminar qualquer marca existente no interior da máquina utilizando um pano humedecido em água e um pouco de vinagre. As superfícies externas da máquina e o painel de controlo podem ser limpos com um pano não abrasivo humedecido em água. Não utilize solventes ou produtos abrasivos.



EVITAR ODORES DESAGRADÁVEIS

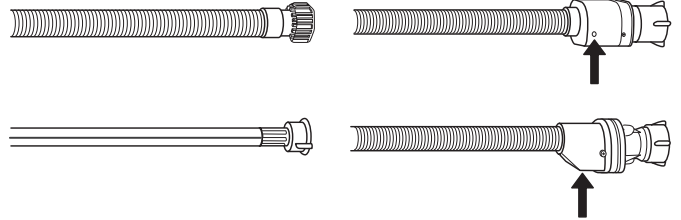
Mantenha sempre a porta da máquina entreaberta para evitar a formação de humidade e a sua acumulação no interior da máquina. Limpe regularmente os vedantes em redor da porta e os distribuidores de detergente, utilizando uma esponja húmida. Isto irá evitar que os restos de comida se acumulem nos vedantes, a causa principal da formação de odores desagradáveis.

LIMPAR A MANGUEIRA DE ENTRADA DE ÁGUA

Se as mangueiras da água forem novas ou não tiverem sido utilizadas durante um longo período de tempo, deixe a água correr para garantir que estão desobstruídas e sem impurezas antes de efetuar as ligações necessárias. Se não tomar esta precaução, a entrada de água pode ficar obstruída e danificar a máquina de lavar loiça.

VERIFICAR A MANGUEIRA DE ABASTECIMENTO DE ÁGUA

Verifique regularmente se a mangueira de entrada de água apresenta fragilidades fissuras. Caso a mangueira esteja danificada, substitua-a por uma nova, disponível através do nosso Serviço Pós-Venda ou do seu revendedor especializado. Consoante o tipo de mangueira:



Se a mangueira de entrada de água dispuser de um revestimento transparente, verifique periodicamente se a cor se intensifica localmente. Em caso afirmativo, a mangueira poderá ter uma fuga e deve ser substituída.

No caso da mangueira de bloqueio da água: verifique a abertura de inspeção da válvula de segurança pequena (veja a seta). Caso esteja vermelha, a função de bloqueio de água foi activada e a mangueira tem de ser substituída por uma nova. Para desenroscar esta mangueira, prima o botão de libertação enquanto desenrosca a mangueira.

LIMPAR O CONJUNTO DE FILTROS

Limpe regularmente o conjunto de filtros para que os filtros não fiquem entupidos e para que a água residual flua corretamente.

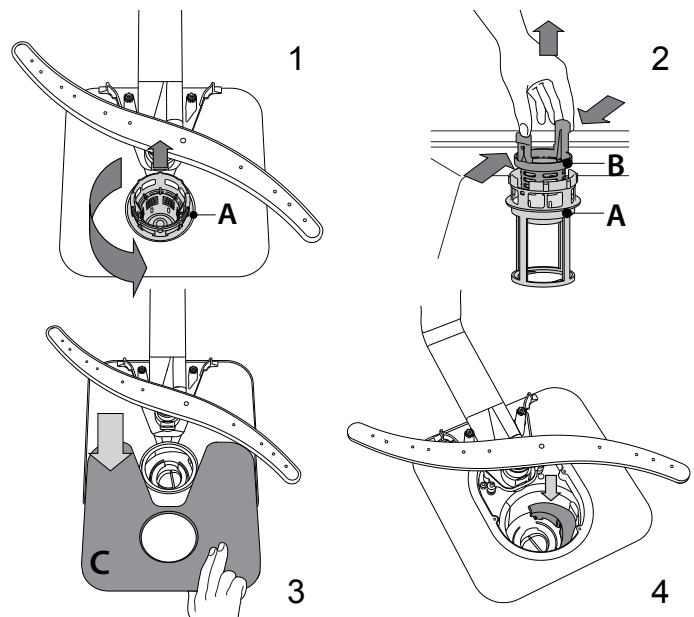
Ao utilizar a máquina de lavar loiça com filtros obstruídos ou objetos estranhos dentro do sistema de filtragem ou nos pulverizadores poderá causar o mau funcionamento da unidade, resultando numa perda de desempenho, num funcionamento ruidoso ou numa maior utilização de recursos.

O conjunto de filtros é composto por três filtros que eliminam os restos de comida da água de lavagem e fazem recircular a água: para obter os melhores resultados de lavagem é necessário limpá-los.

A máquina de lavar loiça não pode ser utilizada sem filtros ou com os filtros soltos.

Pelo menos uma vez por mês ou após cada 30 ciclos, verifique o conjunto de filtros e, se necessário, limpe-os muito bem em água corrente, utilizando uma escova não metálica e seguindo as instruções abaixo:

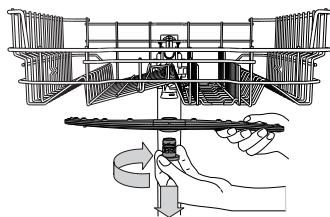
1. Rode o filtro cilíndrico **A** no sentido contrário ao dos ponteiros do relógio e retire-o (Fig. 1).
2. Retire a parte interna do filtro **B** exercendo uma ligeira pressão nas abas laterais (Fig. 2).
3. Faça deslizar para fora o filtro de aço inoxidável **C** (Fig. 3).
4. Caso encontre quaisquer objetos estranhos (tais como vidros e porcelana partidos, ossos de comida, sementes de frutos, etc.) remova-os cuidadosamente.
5. Inspeccione o coletor e retire quaisquer restos de comida. **NUNCA RETIRE** a proteção da bomba do ciclo de lavagem (elemento preto) (Fig. 4).



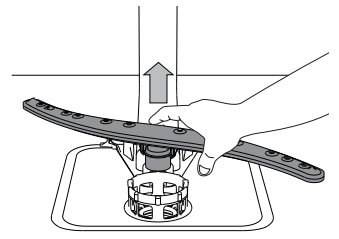
Depois de limpar os filtros, volte a colocar o conjunto de filtros e fixe-o corretamente na devida posição; isto é essencial para manter um funcionamento eficaz da máquina de lavar loiça.

LIMPAR OS BRAÇOS ASPERSORES

Por vezes, os restos de comida podem acumular-se nos braços aspersores e bloquear os orifícios utilizados para pulverizar a água. Assim, recomenda-se que verifique periodicamente os braços e que os limpe com uma escova pequena não metálica.



Para retirar o braço aspersor superior, rode o anel de bloqueio de plástico no sentido dos ponteiros do relógio. O braço aspersor superior deve ser recolocado de modo a que o lado com mais orifícios fique voltado para cima.



É possível remover o braço aspersor inferior puxando-o para cima.

SISTEMA DE DESENDURECIMENTO DA ÁGUA

O descalcificador de água reduz automaticamente a dureza da água evitando, conseqüentemente, a acumulação de calcário no aquecedor, e contribuindo também para uma melhor eficiência de limpeza.

Este sistema regenera-se com sal, portanto, é necessário reabastecer o recipiente de sal sempre que este estiver vazio.

A frequência da regeneração depende da definição do nível de dureza da água - a regeneração ocorre uma vez a cada **6** ciclos Eco com uma definição de dureza da água de nível **3**.

O processo de regeneração começa no ciclo de enxaguamento final e termina na fase de secagem, antes do término do ciclo.

- Uma única regeneração consome: ~3,5 litros de água;
- Demora até 5 minutos adicionais para o ciclo;
- Consome menos de 0,005 kWh de energia.

INSTALAÇÃO

Se for necessário mover o aparelho, mantenha-o sempre na posição vertical; se for absolutamente necessário incliná-lo, incline-o para trás.

LIGAR AO ABASTECIMENTO DE ÁGUA

A adaptação do abastecimento de água para a instalação só deve ser efectuada por um técnico qualificado.

As mangueiras de entrada e de escoamento da água podem ser posicionadas à esquerda ou à direita para permitir a melhor instalação. Certifique-se de que a máquina de lavar loiça não dobra nem esmaga as mangueiras.

LIGAR A MANGUEIRA DE ENTRADA DA ÁGUA

- Coloque a água a correr até estar completamente límpida.
- Aperte bem a mangueira de entrada na posição correta e ligue a torneira. Se a mangueira de entrada não for suficientemente comprida, dirija-se a uma loja especializada ou entre em contacto com um técnico autorizado.

A pressão da água tem de estar dentro dos valores indicados na tabela de dados técnicos; caso contrário, a máquina de lavar loiça poderá não funcionar correctamente.

Certifique-se de que a mangueira não está dobrada nem comprimida.

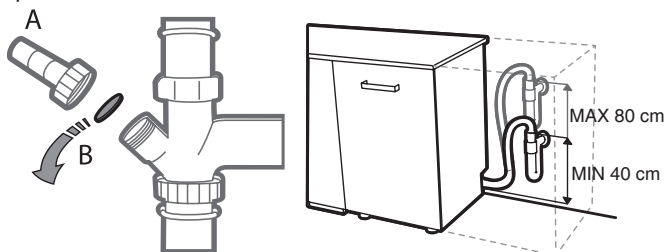
ESPECIFICAÇÕES PARA A LIGAÇÃO DA MANGUEIRA DE ABASTECIMENTO DE ÁGUA:

ABASTECIMENTO DE ÁGUA	fria ou quente (máx. 60 °C)
ENTRADA DE ÁGUA	3/4"
POTÊNCIA DA PRESSÃO DA ÁGUA	0,05 ÷ 1 MPa (0,5 ÷ 10 bar) 7,25 – 145 psi

LIGAR A MANGUEIRA DE ESCOAMENTO DE ÁGUA

Ligue a mangueira de escoamento a uma conduta de escoamento com um diâmetro mínimo de 2 cm **A**.

A união da mangueira de escoamento tem de estar a uma altura entre os 40 e os 80 cm a contar do chão ou superfície em que estiver colocada a máquina de lavar loiça. Antes de ligar a mangueira de escoamento de água à conduta de escoamento, retire o tampão de plástico **B**.



PROTECÇÃO CONTRA INUNDAÇÃO

Protecção contra inundações. Para evitar inundações, a máquina de lavar loiça: - dispõe de um sistema especial que corta o abastecimento de água em caso de anomalias ou de fugas no interior da máquina.

Alguns modelos também estão equipados com um dispositivo de segurança suplementar, o **novo Aqua Stop**, que garante uma protecção contra inundações mesmo em caso de ruptura de uma mangueira de abastecimento.

A mangueira de entrada de água nunca deve ser cortada, pois contém peças com corrente eléctrica.

LIGAÇÃO ELÉCTRICA

⚡ AVISO: A mangueira de entrada de água nunca deve ser cortada, pois contém peças com corrente eléctrica.

Antes de ligar a ficha à tomada, certifique-se de que:

- A ficha está ligada \perp à terra e está em conformidade com os regulamentos actuais;
- A tomada suporta a carga máxima da máquina, apresentada na chapa de dados existente no interior da porta (*consulte VISTA GERAL*).
- A tensão de abastecimento de energia está dentro dos valores indicados na chapa de dados existente no interior da porta.
- A tomada é compatível com a ficha da máquina.

Se não for este o caso, contacte um técnico autorizado para que substitua a ficha (*consulte SUPORTE*). Não use extensões eléctricas ou tomadas múltiplas. Depois de a máquina estar instalada, o cabo de alimentação e a tomada eléctrica devem estar facilmente acessíveis.

O cabo não deve estar dobrado nem comprimido.

Se o cabo de alimentação estiver danificado, contacte o fabricante ou o respectivo serviço de assistência técnica autorizado para o substituir, a fim de evitar todos os potenciais perigos.

A Empresa não será responsabilizada por quaisquer incidentes caso estas regras não sejam cumpridas.

POSICIONAMENTO E NIVELAMENTO



1. Posicione a máquina de lavar loiça num piso nivelado e resistente. Se o piso for irregular, os pés dianteiros podem ser ajustados até a máquina ficar numa posição horizontal. Se a máquina estiver bem nivelada, ficará mais estável e é muito menos provável que cause vibrações e ruído durante o funcionamento.
2. Antes de encaixar a máquina de lavar loiça no devido local, cole a faixa transparente adesiva por baixo da prateleira de madeira, para que fique protegida de qualquer condensação que possa formar-se.
3. Posicione a máquina de lavar loiça de modo a que os lados ou o painel traseiro fiquem em contacto com os armários adjacentes ou com a parede. Este aparelho também pode ser encastrado sob um balcão de cozinha.
4. Para ajustar a altura do pé traseiro, rode o casquilho hexagonal vermelho na parte central inferior pela parte dianteira da máquina de lavar, utilizando uma chave hexagonal com uma abertura de 8 mm. Rode a chave no sentido dos ponteiros do relógio para aumentar a altura e no sentido contrário para a diminuir.

DIMENSÕES E CAPACIDADE:

LARGURA	598 mm
ALTURA	820 mm
PROFUNDIDADE	555 mm
CAPACIDADE	14 talheres padrão

RESOLUÇÃO DE PROBLEMAS

Caso a sua máquina de lavar loiça não funcione corretamente, verifique se consegue resolver o problema através das soluções apresentadas na lista que se segue. Para outros erros ou problemas, entre em contacto com o Serviço de Pós-venda Autorizado, cujos detalhes de contacto podem ser encontrados no livrete da garantia. O fabricante garante a disponibilidade das peças de substituição durante, pelo menos, 10 anos após a data de fabrico deste aparelho.

PROBLEMAS	CAUSAS POSSÍVEIS	SOLUÇÕES
 O indicador de sal está aceso	O reservatório de sal está vazio. (Após abastecer com sal o indicador poderá permanecer aceso durante vários ciclos de lavagem).	Encha o reservatório com sal (para mais informações consulte a página 71). Ajuste a dureza da água - consulte a tabela na página 71.
 O indicador do abrillantador está aceso	A gaveta do abrillantador está vazia. (Após abastecer com abrillantador o indicador poderá permanecer aceso durante vários ciclos de lavagem).	Encha o reservatório com abrillantador (veja mais informações na página 71).
A máquina de lavar loiça não começa a funcionar ou não responde aos comandos.	A máquina não está ligada corretamente.	Ligue a ficha à tomada.
	Corte de energia.	Por motivos de segurança, a máquina de lavar loiça não reinicia automaticamente quando a energia é reposta. Abra a porta da máquina de lavar loiça, prima o botão INÍCIO/PAUSA e feche a porta no espaço de 4 segundos.
	A porta da máquina de lavar loiça não está fechada. O pino CoolDry não está empurrado para dentro.	Empurre vigorosamente a porta até ouvir um "clique".
	O ciclo é interrompido com a abertura da porta durante > 4 segundos.	Prima INÍCIO/PAUSA (Iniciar/Pausa) e feche a porta no espaço de 4 segundos.
A máquina de lavar loiça não escoar a água. O visor apresenta: 3 e o LED LIGAR/DESLIGAR pisca rapidamente	A máquina não responde aos comandos. O visor apresenta: 9 ou 12 e o LED LIGAR/DESLIGAR pisca rapidamente	Desligue a máquina premindo o botão LIGAR/DESLIGAR, volte a ligá-la passado cerca de um minuto e reinicie o programa. Se o problema persistir, desligue o aparelho durante 1 minuto e ligue-o novamente
	O ciclo de lavagem ainda não terminou.	Aguarde até que o ciclo de lavagem termine.
	O tubo de escoamento está dobrado.	Certifique-se de que o tubo de escoamento não está dobrado (<i>consulte INSTRUÇÕES DE INSTALAÇÃO</i>).
	O tubo de escoamento do lava-loiça está obstruído.	Limpe o tubo de escoamento do lava-loiça.
A máquina de lavar loiça faz um ruído excessivo.	O filtro está obstruído com restos de comida	Limpe o filtro (<i>ver LIMPAR O CONJUNTO DE FILTROS</i>).
	Os pratos estão a chocalhar entre si.	Disponha a loiça corretamente (<i>ver CARREGAR OS CESTOS</i>).
A máquina de lavar loiça faz um ruído excessivo.	Foi produzida uma quantidade excessiva de espuma.	O detergente não foi doseado corretamente ou não é adequado para utilização em máquinas de lavar loiça (<i>ver ENCHER O DISTRIBUIDOR DE DETERGENTE</i>). Reinicie o ciclo atual desligando a máquina de lavar loiça e, em seguida, volte a ligá-la. Selecione um novo programa, prima INÍCIO/PAUSA (Início/Pausa) e feche a porta dentro de 4 segundos. Não adicione mais detergente.
	A loiça foi disposta de forma incorreta.	Disponha a loiça corretamente (<i>ver CARREGAR OS CESTOS</i>).
	Os braços aspersores não conseguem rodar livremente, sendo impedidos pela loiça.	Disponha a loiça corretamente (<i>ver CARREGAR OS CESTOS</i>).
	O ciclo de lavagem é demasiado suave.	Selecione um ciclo de lavagem apropriado (<i>ver TABELA DE PROGRAMAS</i>).
	Foi produzida uma quantidade excessiva de espuma.	O detergente não foi doseado corretamente ou não é adequado para utilização em máquinas de lavar loiça (<i>ver ENCHER O DISTRIBUIDOR DE DETERGENTE</i>).
	A tampa do depósito de abrillantador não está bem fechada.	Certifique-se de que a tampa do distribuidor de abrillantador está fechada.
A máquina de lavar loiça não se enche de água. O visor apresenta: H , 6 e o LED LIGAR/DESLIGAR pisca rapidamente	O filtro está sujo ou obstruído.	Limpe o conjunto de filtros (<i>ver LIMPEZA E MANUTENÇÃO</i>).
	Não há sal.	Encha o depósito de sal (<i>ver ENCHER O DEPÓSITO DO SAL</i>).
	Não há abastecimento de água ou a torneira está fechada.	Certifique-se de que há água ou que a torneira está aberta.
	A mangueira da entrada está dobrada.	Certifique-se de que a mangueira de entrada não está dobrada (<i>ver INSTALAÇÃO</i>), volte a programar a máquina e reinicialize-a.
A máquina de lavar loiça termina o ciclo prematuramente. O visor apresenta: 15 e o LED LIGAR/DESLIGAR pisca rapidamente	O filtro da mangueira de entrada de água está obstruído; é necessário limpá-lo.	Depois de efetuar a verificação e a limpeza, desligue a máquina de lavar loiça, volte a ligá-la e reinicie um novo programa.
	Drene a mangueira que está posicionada demasiado em baixo ou drene para o seu sistema de esgoto doméstico.	Verifique se a extremidade da mangueira de drenagem está colocada à altura correta (<i>consulte INSTALAÇÃO</i>). Verifique se existe um sifão no sistema de esgoto doméstico, instale a válvula de admissão de ar, se necessário.
	Existe ar no abastecimento de água.	Verifique se existem fugas de água ou outros problemas que causem a entrada de ar.

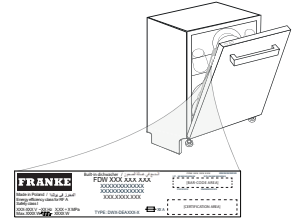
SUORTE

Na eventualidade de quaisquer problemas de funcionamento, contacte o Centro de Assistência Técnica Franke.
Nunca recorra aos serviços de técnicos não autorizados.

Indique:

- o tipo de avaria;
- o modelo do aparelho (art./código);
- o número de série (S.N.)

Quando contactar o serviço pós-venda, deverá indicar os códigos apresentados na chapa de características existente do lado esquerdo ou direito, no interior da porta da máquina de lavar loiça.



A informação relativa ao modelo pode ser obtida utilizando o código QR indicado na etiqueta energética.

A etiqueta inclui também o identificador do modelo, que pode ser utilizado para consultar o portal de registo em <https://eprel.ec.europa.eu>.



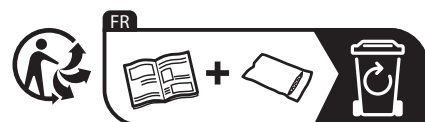
WWW.FRANKE.COM

© Franke Technology and Trademark Ltd, Switzerland

www.franke.com



EN - DE - ES - FR - IT - NL - PT



400011719056

02/2024 as - Xerox Fabriano

