

**CANDY**

MIG1730MX

**MICROWAVE OVENS**

***USER INSTRUCTIONS***

**GB**

**FORNI A MICROONDE**

***ISTRUZIONI PER L'USO***

**IT**

# PRECAUTIONS TO AVOID POSSIBLE EXPOSURE TO EXCESSIVE MICROWAVE ENERGY

(a) Do not attempt to operate this oven with the door open since this can result in harmful exposure to microwave energy. It is important not to break or tamper with the safety interlocks.

(b) Do not place any object between the oven front face and the door or allow soil or cleaner residue to accumulate on sealing surfaces.

(c) **WARNING:** If the door or door seals are damaged, the oven must not be operated until it has been repaired by a competent person.

## ADDENDUM

If the apparatus is not maintained in a good state of cleanliness, its surface could be degraded and affect the lifespan of the apparatus and lead to a dangerous situation.

## Specifications

Model:	MIG1730MX
Rated Voltage:	230V~50Hz
Rated Input Power(Microwave):	1050W
Rated Output Power(Microwave):	700W
Rated Input Power(Grill):	1000W
Oven Capacity:	17L
Turntable Diameter:	Ø245mm
External Dimensions:	595x319.5x382mm
Net Weight:	Approx. 14kg

# **IMPORTANT SAFETY INSTRUCTIONS**

## **WARNING**

To reduce the risk of fire, electric shock, injury to persons or exposure to excessive microwave oven energy when using your appliance, follow basic precautions, including the following:

1. Read and follow the specific: "PRECAUTIONS TO AVOID POSSIBLE EXPOSURE TO EXCESSIVE MICROWAVE ENERGY".
2. This appliance can be used by children aged from 8 years and above and persons with reduced physical, sensory or mental capabilities or lack of experience and knowledge if they have been given supervision or instruction concerning use of the appliance in a safe way and understand the hazards involved. Children shall not play with the appliance. Cleaning and user maintenance shall not be made by children unless they are older than 8 and supervised. Children less than 8 years of age shall be kept away unless continuously supervised.
3. Keep the appliance and its cord out of reach of children less than 8 years.
4. If the supply cord is damaged, it must be replaced by the manufacturer, its service agent or similarly qualified persons in order to avoid a hazard. ( For appliance with type Y attachment)
5. **WARNING:** Ensure that the appliance is switched off before replacing the lamp to avoid the possibility of electric shock.

6. WARNING: It is hazardous for anyone other than a competent person to carry out any service or repair operation that involves the removal of a cover which gives protection against exposure to microwave energy.
7. WARNING: Liquids and other foods must not be heated in sealed containers since they are liable to explode.
8. When heating food in plastic or paper containers, keep an eye on the oven due to the possibility of ignition.
9. Only use utensils that are suitable for use in microwave ovens.
10. If smoke is emitted, switch off or unplug the appliance and keep the door closed in order to stifle any flames.
11. Microwave heating of beverages can result in delayed eruptive boiling, therefore care must be taken when handling the container.
12. The contents of feeding bottles and baby food jars shall be stirred or shaken and the temperature checked before consumption, in order to avoid burns.
13. Eggs in their shell and whole hard-boiled eggs should not be heated in microwave ovens since they may explode, even after microwave heating has ended.
14. The oven should be cleaned regularly and any food deposits removed.
15. Failure to maintain the oven in a clean condition could lead to deterioration of the surface that could adversely affect the life of the appliance and possibly result in a hazardous situation.

16. The appliance must not be installed behind a decorative door in order to avoid overheating. (This is not applicable for appliances with decorative door.)
17. Only use the temperature probe recommended for this oven. (for ovens provided with a facility to use a temperature-sensing probe.)
18. The microwave oven shall not be placed in a cabinet unless it has been tested in a cabinet.
19. The microwave oven must be operated with the decorative door open. (for ovens with a decorative door.)
20. This appliance is intended to be used in household and similar applications such as:
  - staff kitchen areas in shops, offices and other working environments;
  - by clients in hotels, motels and other residential type environments;
  - farm houses;
  - bed and breakfast type environments.
21. The microwave oven is intended for heating food and beverages. Drying of food or clothing and heating of warming pads, slippers, sponges, damp cloth and similar may lead to risk of injury, ignition or fire.
22. Metallic containers for food and beverages are not allowed during microwave cooking.
23. The appliance shall not be cleaned with a steam cleaner.
24. The appliance is intended to be used freestanding.
25. The rear surface of appliances shall be placed against a wall.

26. The appliances are not intended to be operated by means of an external timer or separate remote-control system.

27. The temperature of accessible surfaces may be high when the appliance is operating.

28. **WARNING:** When the appliance is operated in the combination mode, children should only use the oven under adult supervision due to the temperatures generated.

**READ CAREFULLY AND KEEP FOR FUTURE REFERENCE**

# To Reduce the Risk of Injury to Persons Grounding Installation

## **DANGER**

Electric Shock Hazard  
Touching some of the internal components can cause serious personal injury or death. Do not disassemble this appliance.

## **WARNING**

Electric Shock Hazard  
Improper use of the grounding can result in electric shock. Do not plug into an outlet until appliance is properly installed and grounded.

This appliance must be grounded. In the event of an electrical short circuit, grounding reduces the risk of electric shock by providing an escape wire for the electric current. This appliance is equipped with a cord having a grounding wire with a grounding plug. The plug must be plugged into an outlet that is properly installed and grounded.

Consult a qualified electrician or serviceman if the grounding instructions are not completely understood or if doubt exists as to whether the appliance is properly grounded. If it is necessary to use an extension cord, use only a 3-wire extension cord.

1. A short power-supply cord is provided to reduce the risks resulting from becoming entangled in or tripping over a longer cord.
2. If a long cord set or extension cord is used:
  - 1)The marked electrical rating of the cord set or extension cord should be at least as great as the electrical rating of the appliance.
  - 2)The extension cord must be a grounding-type 3-wire cord.
  - 3)The long cord should be arranged so that it will not drape over the counter top or tabletop where it can be pulled on by children or tripped over unintentionally.

## CLEANING

Be sure to unplug the appliance from the power supply.

1. Clean the cavity of the oven after using with a slightly damp cloth.
2. Clean the accessories in the usual way in soapy water.
3. The door frame and seal and neighbouring parts must be cleaned carefully with a damp cloth when they are dirty.
4. Do not use harsh abrasive cleaners or sharp metal scrapers to clean the oven door glass since they can scratch the surface, which may result in shattering of the glass.
5. Cleaning Tip---For easier cleaning of the cavity walls that the food cooked can touch: Place half a lemon in a bowl, add 300ml (1/2 pint) water and heat on 100% microwave power for 10 minutes. Wipe the oven clean using a soft, dry cloth.

## UTENSILS CAUTION

### Personal Injury Hazard

It is hazardous for anyone other than a competent person to carry out any service or repair operation that involves the removal of a cover which gives protection against exposure to microwave energy.

See the instructions on "Materials you can use in microwave oven or to be avoided in microwave oven."

There may be certain non-metallic utensils that are not safe to use for microwaving. If in doubt, you can test the utensil in question following the procedure below.

Utensil Test:

1. Fill a microwave-safe container with 1 cup of cold water (250ml) along with the utensil in question.
2. Cook on maximum power for 1 minute.
3. Carefully feel the utensil. If the empty utensil is warm, do not use it for microwave cooking.
4. Do not exceed 1 minute cooking time.

## Materials you can use in microwave oven

Utensils	Remarks
Browning dish	Follow manufacturer's instructions. The bottom of browning dish must be at least 3/16 inch (5mm) above the turntable. Incorrect usage may cause the turntable to break.
Dinnerware	Microwave-safe only. Follow manufacturer's instructions. Do not use cracked or chipped dishes.
Glass jars	Always remove lid. Use only to heat food until just warm. Most glass jars are not heat resistant and may break.
Glassware	Heat-resistant oven glassware only. Make sure there is no metallic trim. Do not use cracked or chipped dishes.
Oven cooking bags	Follow manufacturer's instructions. Do not close with metal tie. Make slits to allow steam to escape.
Paper plates and cups	Use for short-term cooking/warming only. Do not leave oven unattended while cooking.
Paper towels	Use to cover food for reheating and absorbing fat. Use with supervision for a short-term cooking only.
Parchment paper	Use as a cover to prevent splattering or a wrap for steaming.
Plastic	Microwave-safe only. Follow the manufacturer's instructions. Should be labeled "Microwave Safe". Some plastic containers soften, as the food inside gets hot. "Boiling bags" and tightly closed plastic bags should be slit, pierced or vented as directed by package.
Plastic wrap	Microwave-safe only. Use to cover food during cooking to retain moisture. Do not allow plastic wrap to touch food.
Thermometers	Microwave-safe only (meat and candy thermometers).
Wax paper	Use as a cover to prevent splattering and retain moisture.

## Materials to be avoided in microwave oven

Utensils	Remarks
Aluminum tray	May cause arcing. Transfer food into microwave-safe dish.
Food carton with metal handle	May cause arcing. Transfer food into microwave-safe dish.
Metal or metal-trimmed utensils	Metal shields the food from microwave energy. Metal trim may cause arcing.
Metal twist ties	May cause arcing and could cause a fire in the oven.
Paper bags	May cause a fire in the oven.
Plastic foam	Plastic foam may melt or contaminate the liquid inside when exposed to high temperature.
Wood	Wood will dry out when used in the microwave oven and may split or crack.

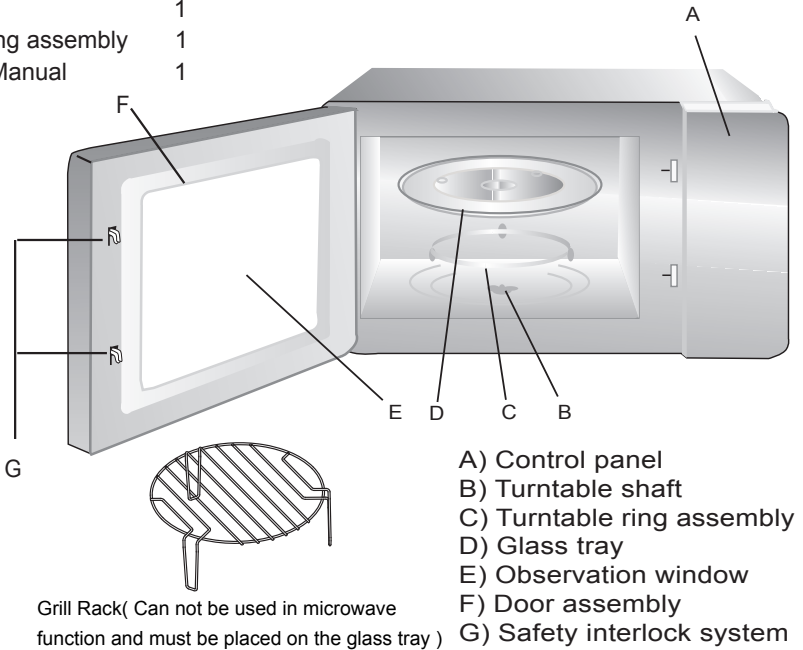
# SETTING UP YOUR OVEN

## Names of Oven Parts and Accessories

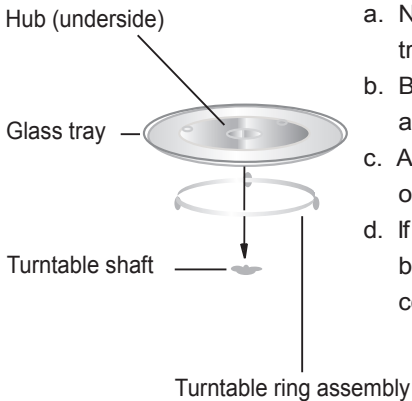
Remove the oven and all materials from the carton and oven cavity.

Your oven comes with the following accessories:

Glass tray	1
Turntable ring assembly	1
Instruction Manual	1



## Turntable Installation



- Never place the glass tray upside down. The glass tray should never be restricted.
- Both glass tray and turntable ring assembly must always be used during cooking.
- All food and containers of food are always placed on the glass tray for cooking.
- If glass tray or turntable ring assembly cracks or breaks, contact your nearest authorized service center.

## **Installation and connection**

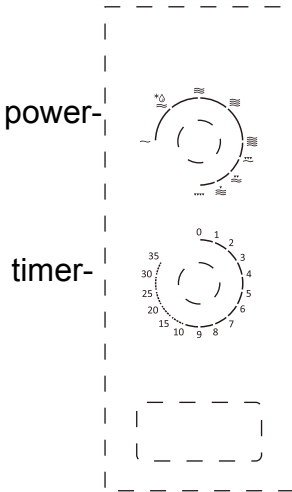
- 1.This appliance is only intended for domestic use.
- 2.This oven is intended for built-in use only. It is not intended for counter-top use or for use inside a cupboard.
3. Please observe the special installation instructions.
- 4.The appliance can be installed in a 60cm wide wall-mounted cupboard.
- 5.The appliance is fitted with a plug and must only be connected to a properly installed earthed socket.
- 6.The mains voltage must correspond to the voltage specified on the rating plate.
- 7.The socket must be installed and connecting cable must only be replaced by a qualified electrician. If the plug is no longer to accessible following installation, an all-pole disconnecting device must be present on the installation side with a contact gap of at least 3mm.
- 8.Adapters, multi-way strips and extension leads must not be used. Overloading can result in a risk of fire.

**The accessible surface may be hot during operation.**



# OPERATION

## Control Panel and Features Operation Instructions



1. To set cooking power by turning the power knob to desired level.
2. To set the time of cooking by turning the timer knob to desired time per your food cooking guide.
3. The microwave oven will automatically start cooking after power level and time are set.
4. After the cooking time is up, the unit will "Dong" to stop.
5. If the unit is not in use, always set time to "0".





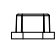

Function/Power	Output	Application
~	17% micro.	Soften ice cream
*0 ≡	33% micro.	Soup stew, soften butter
≡	55% micro.	Stew, fish
≡	77% micro.	Rice, fish, chicken, ground meat
≡	100% micro.	Reheat, milk, boil water, vegetables, beverage

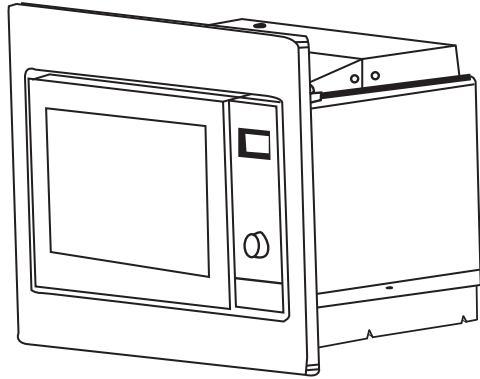
Function/Power	Output	Application
≡	80% grill 20% micro.	Sausage, Lamb, Kabobs, Seafood, Steak
≡	70% grill 30% micro.	Chicken pieces, Chicken breasts, Pork chops
≡	60% grill 40% micro.	Whole chicken
≡	100% grill	Baken bread, Slice food

Notice: When removing food from the oven, please ensure that the oven power is switched off by turning the clock switch to 0 (zero). Failure to do so, and operating the microwave oven without food in it, can result in overheating and damage to the magnetron.

# Installation Instructions

Please Read the Manual Carefully Before Installation

- ADJUST SCREW A 
- SCREW B 
- TRIM-KIT PLASTIC COVER 
- FOOTPAD BLOCK 
- RUBBER MAT 
- BRACKET 



## Please Note

### Electrical connection

The oven is fitted with a plug and must be only connected to a properly installed earthed socket. In accordance with the appropriate regulations, the socket must only be installed and the connecting cable must only be replaced by a qualified electrician.

If the plug is no longer accessible following installation and all-pole isolating switch must be present on the installation side with a contact gap of at least 3mm.

# For the cabinet with a height of 362mm

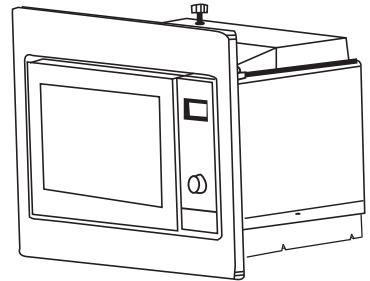
## A. Built-in furniture

The built-in cabinet shall not have a rear wall behind the appliance.

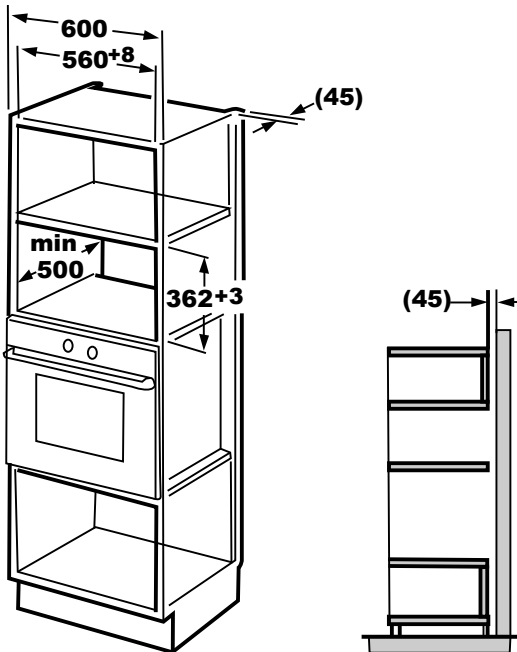
Minimum installation height is 85cm.

Do not cover ventilation slots and air intake points.

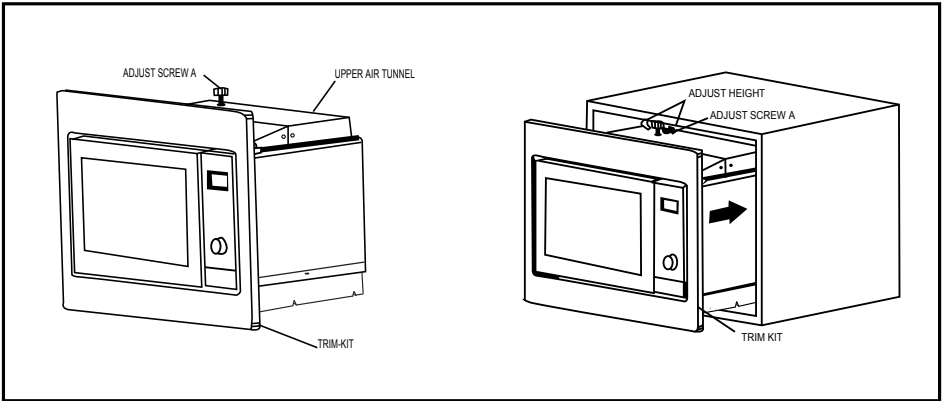
1.



2.

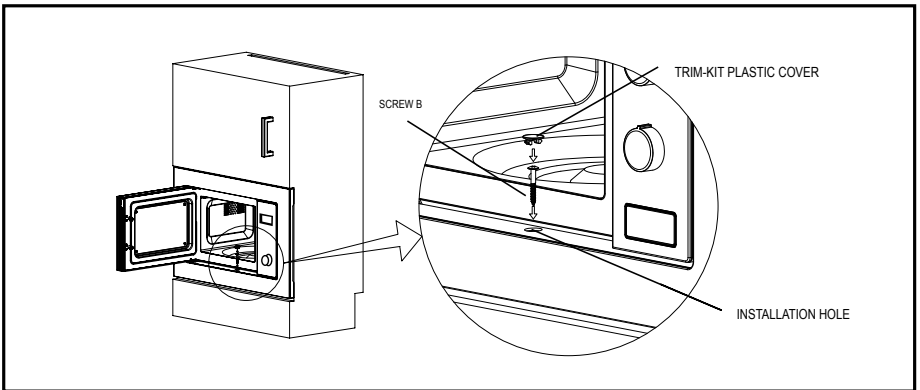


## B. Install the Oven



1. Fix ADJSUTSCREW A on the UPPER AIR TUNNEL of the oven, and then install the oven into the cabinet.

- Adjust the height of ADJUST SCREW A to keep 1mm gap between the ADJUST SCREW A and the top plane of cabinet.
- Do not trap or kink the power cord.
- Make sure that the oven is installed in the center of the cabinet.



2. Open the door; fix the oven to the cabinet with SCREW B at the INSTALLATION HOLE of TRIM KIT. Then fix the TRIM-KIT PLASTIC COVER to the INSTALLATION HOLE.

# For the cabinet with a height of 370mm

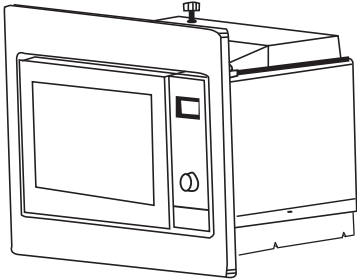
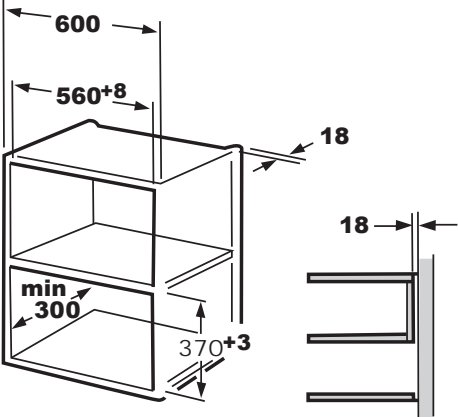
## A. Built-in furniture

The built-in cabinet shall not have a rear wall behind the appliance.

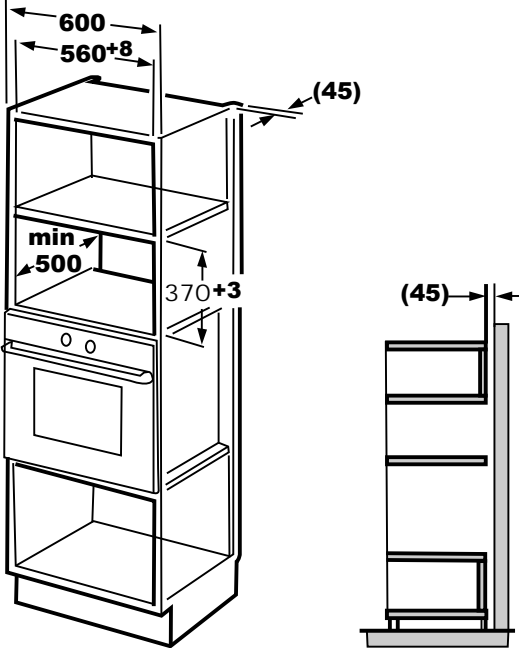
Minimum installation height is 85cm.

Do not cover ventilation slots and air intake points.

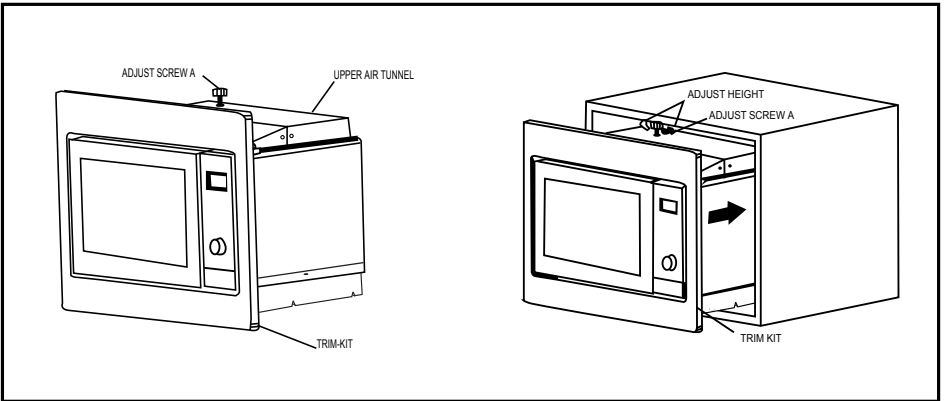
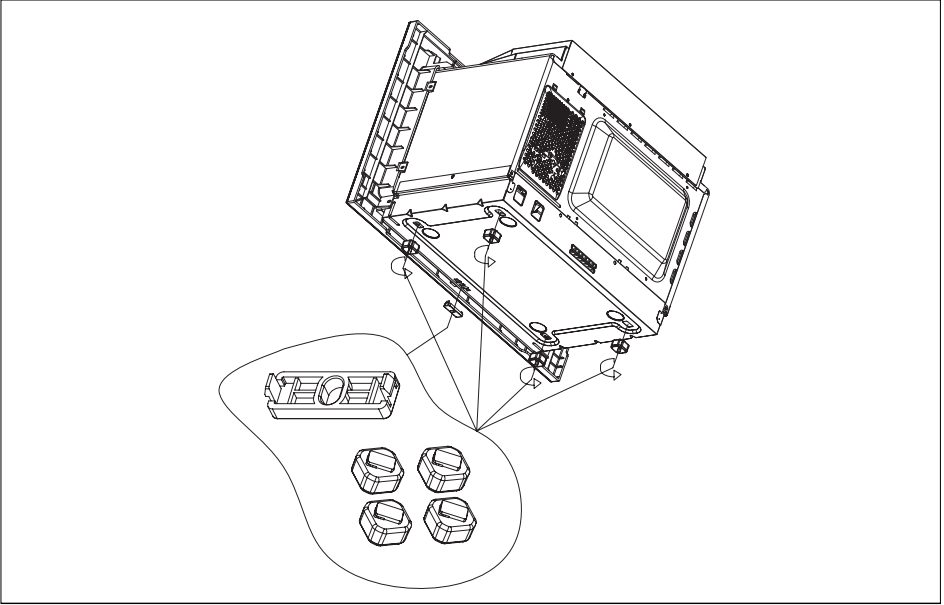
1.



2.

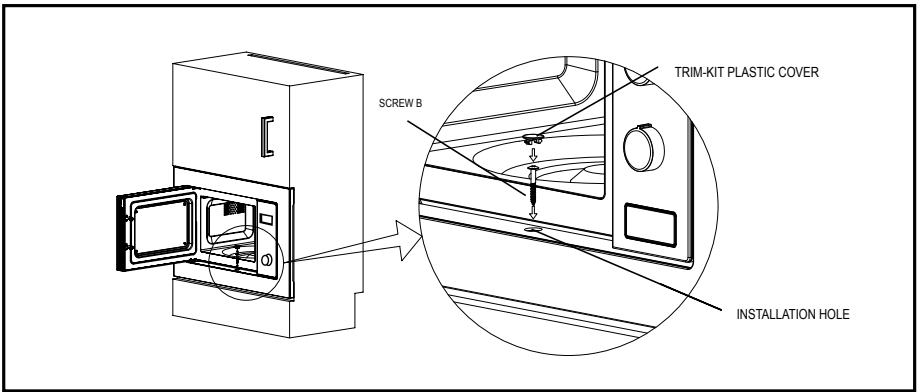


## B. Install the Oven



1. Fix ADJSUTSCREW A on the UPPER AIR TUNNEL of the oven, and then install the oven into the cabinet.

- Adjust the height of ADJUST SCREW A to keep 1mm gap between the ADJUST SCREW A and the top plane of cabinet.
- Do not trap or kink the power cord.
- Make sure that the oven is installed in the center of the cabinet.



2. Open the door; fix the oven to the cabinet with SCREW B at the INSTALLATION HOLE of TRIM KIT. Then fix the TRIM-KIT PLASTIC COVER to the INSTALLATION HOLE.

# For the cabinet with a height of 380mm

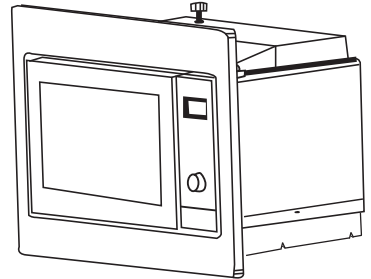
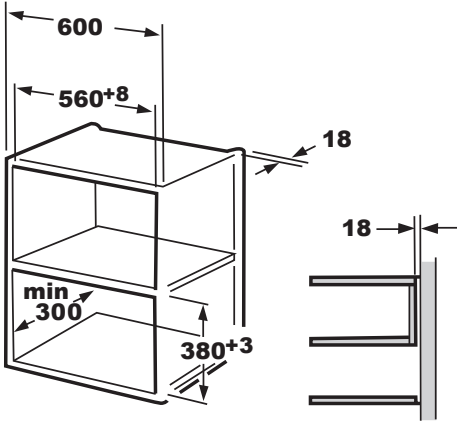
## A. Built-in furniture

The built-in cabinet shall not have a rear wall behind the appliance.

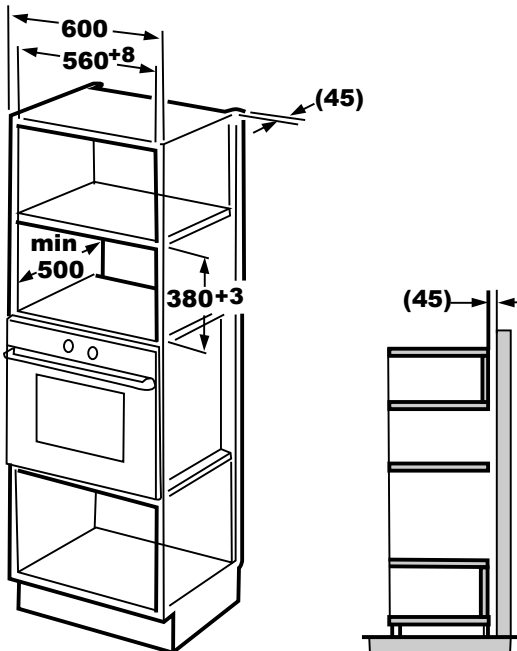
Minimum installation height is 85cm.

Do not cover ventilation slots and air intake points.

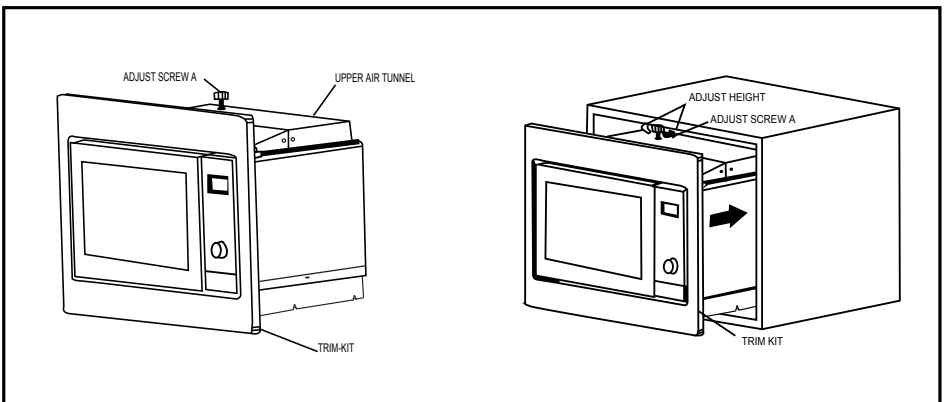
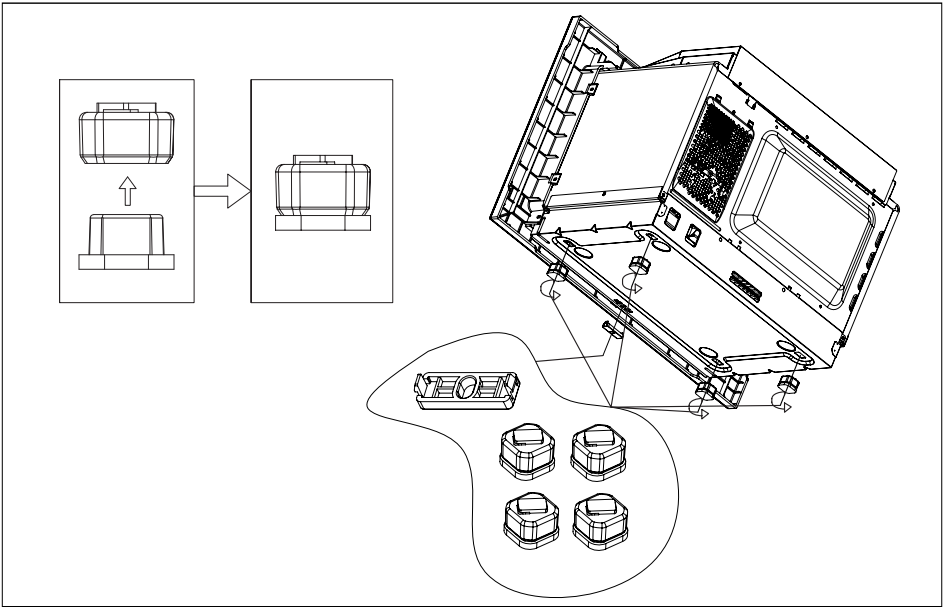
1.



2.

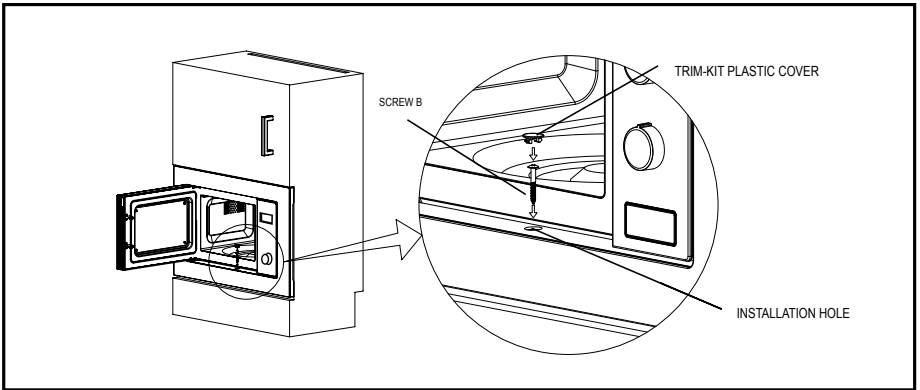


## B. Install the Oven



1. Fix ADJSUTSCREW A on the UPPER AIR TUNNEL of the oven, and then install the oven into the cabinet.

- Adjust the height of ADJUST SCREW A to keep 1mm gap between the ADJUST SCREW A and the top plane of cabinet.
- Do not trap or kink the power cord.
- Make sure that the oven is installed in the center of the cabinet.



2. Open the door; fix the oven to the cabinet with SCREW B at the INSTALLATION HOLE of TRIM KIT. Then fix the TRIM-KIT PLASTIC COVER to the INSTALLATION HOLE.

# Trouble shooting

<b>Normal</b>	
Microwave oven interfering TV reception	Radio and TV reception may be interfered when microwave oven operating. It is similar to the interference of small electrical appliances, like mixer, vacuum cleaner, and electric fan. It is normal.
Dim oven light	In low power microwave cooking, oven light may become dim. It is normal.
Steam accumulating on door, hot air out of vents	In cooking, steam may come out of food. Most will get out from vents. But some may accumulate on cool place like oven door. It is normal.
Oven started accidentally with no food in.	It is forbidden to run the unit without any food inside. It is very dangerous.

<b>Trouble</b>	<b>Possible Cause</b>	<b>Remedy</b>
Oven can not be started.	(1) Power cord not plugged in tightly.	Unplug. Then plug again after 10 seconds.
	(2) Fuse blowing or circuit breaker works.	Replace fuse or reset circuit breaker (repaired by professional personnel of our company)
	(3) Trouble with outlet.	Test outlet with other electrical appliances.
Oven does not heat.	(4) Door not closed well.	Close door well.

PN:16170000A74017



According to Waste of Electrical and Electronic Equipment (WEEE) directive, WEEE should be separately collected and treated. If at any time in future you need to dispose of this product please do NOT dispose of this product with household waste. Please send this product to WEEE collecting points where available.

## PRECAUZIONI PER EVITARE LA POSSIBILE ESPOSIZIONE A UN'ECESSIVA ENERGIA A MICROONDE

- (a) Per evitare esposizioni nocive all'energia a microonde, non provare a utilizzare questo forno con lo sportello aperto. Prestare particolare attenzione a non danneggiare o manomettere gli interblocchi di sicurezza.
- (b) Non collocare alcun oggetto tra il lato anteriore del forno e lo sportello. Evitare l'accumulo di sporcizia o residui di detersivo sulle superfici di tenuta.
- (c) **AVVERTENZA:** in caso di danni allo sportello o alle guarnizioni dello sportello, utilizzare il forno solo dopo che è stato riparato da una persona competente.

## ALTRE ISTRUZIONI

Se l'apparecchio non viene mantenuto pulito, la superficie potrebbe danneggiarsi, l'apparecchio potrebbe durare meno e potrebbe causare situazioni pericolose.

### Specifiche

Modello:	MIG1730MX
Tensione nominale:	230 V ~ 50 Hz
Potenza nominale in ingresso (microonde):	1050 W
Potenza nominale in uscita (microonde):	700W
Potenza nominale in ingresso (grill):	1000 W
Capacità del forno:	17 litri
Diametro del piatto girevole:	Ø 245 mm
Dimensioni esterne:	595 x 319,5 x 382 mm
Peso netto:	circa 14 kg

# ISTRUZIONI IMPORTANTI PER LA SICUREZZA

## AVVERTENZA

Per ridurre il rischio di incendi, scosse elettriche, lesioni personali o esposizione a un'energia eccessiva del forno a microonde durante l'uso, attenersi alle precauzioni basilari e alle seguenti avvertenze:

1. Attenersi alla seguente specifica: "PRECAUZIONI PER EVITARE LA POSSIBILE ESPOSIZIONE A UN'ECESSIVA ENERGIA A MICROONDE".
2. Questo elettrodomestico può essere utilizzato da bambini di almeno 8 anni, da persone con ridotte capacità fisiche, sensoriali o mentali e da persone inesperte solo sotto stretta sorveglianza o se hanno appreso le modalità di utilizzo sicuro dell'elettrodomestico e sono consapevoli dei relativi pericoli. Impedire ai bambini di giocare con l'elettrodomestico. La pulizia e la manutenzione non devono essere effettuate da bambini di età inferiore a 8 anni senza supervisione. Tenere lontani i bambini di età inferiore a 8 anni se non sono sorvegliati continuamente.
3. Tenere l'elettrodomestico e il cavo fuori dalla portata di bambini di età inferiore a 8 anni.
4. Se il cavo di alimentazione è danneggiato, deve essere sostituito dal produttore, da un tecnico dell'assistenza o da una persona con analogo qualifica per evitare rischi. (Per elettrodomestici con attacco a Y.)
5. **AVVERTENZA:** per evitare scosse elettriche, accertarsi che l'elettrodomestico sia spento prima di sostituire la lampadina.

6. **AVVERTENZA:** le operazioni di manutenzione e riparazione che implicano la rimozione degli involucri possono essere pericolose se non effettuate da personale competente, dal momento che causano l'esposizione all'energia a microonde.
7. **AVVERTENZA:** non riscaldare liquidi o altri alimenti in contenitori sigillati perché potrebbero esplodere.
8. Quando si riscaldano alimenti contenuti in una vaschetta in plastica o carta, controllare frequentemente il forno perché i contenitori potrebbero incendiarsi.
9. Adoperare solo utensili da cucina idonei all'uso nei forni a microonde.
10. Se il forno emette fumo, spegnerlo o scollegarlo dall'alimentazione elettrica e mantenere chiuso lo sportello per evitare la propagazione alle fiamme.
11. Il riscaldamento di bevande nel forno a microonde può provocare una violenta ebollizione ritardata, per cui manipolare il contenitore con cautela.
12. Per evitare ustioni, mescolare e agitare il contenuto di biberon e barattoli contenenti alimenti per neonati, e controllare la temperatura prima del consumo.
13. Non riscaldare nel microonde uova col guscio e uova sode intere perché potrebbero esplodere anche dopo la fine della cottura.
14. È indispensabile pulire regolarmente il forno e rimuovere tutti i residui di alimenti.
15. Se il forno non viene tenuto sempre pulito, le superfici potrebbero deteriorarsi, riducendo la durata dell'elettrodomestico e causando situazioni pericolose.
16. Per evitare che l'elettrodomestico si surriscaldi, non installarlo dietro uno sportello decorativo (non riguarda elettrodomestici dotati di sportello decorativo).

17. Utilizzare solo la sonda di temperatura consigliata per questo forno (per i forni dotati di apparecchiature per l'uso di una sonda di rilevamento della temperatura).

18. Il forno a microonde non deve essere installato a incasso se non è stato verificato in questa configurazione.

19. Il forno a microonde deve essere azionato con lo sportello decorativo aperto (per forni con sportello decorativo).

20. Questo elettrodomestico è destinato all'uso domestico e a utilizzi simili a quelli di seguito indicati:

- zone cucina per il personale di negozi, uffici e altri ambienti lavorativi;
- clienti di hotel, motel e altri ambienti residenziali;
- agriturismi;
- bed & breakfast.

21. Il forno a microonde è progettato per riscaldare alimenti e bevande. L'asciugatura di alimenti o indumenti e il riscaldamento di cuscinetti scaldanti, pantofole, spugne, panni bagnati e simili può provocare lesioni o innescare incendi.

22. Non è consentito utilizzare contenitori metallici per alimenti e bevande durante la cottura a microonde.

23. Non pulire l'apparecchio con elettrodomestici a vapore.

24. L'elettrodomestico è progettato per l'uso indipendente.

25. Posizionare la superficie posteriore contro una parete.

26. Gli elettrodomestici non sono progettati per essere azionati tramite un timer esterno o un sistema di controllo da remoto separato.

27. Quando l'elettrodomestico è in funzione, la temperatura delle superfici accessibili potrebbe essere alta.

28. AVVERTENZA: in modalità combinata, l'uso del forno è consentito ai bambini solo sotto la supervisione di un adulto a causa delle alte temperature prodotte.

**LEGGERE ATTENTAMENTE QUESTE ISTRUZIONI E  
CONSERVARLE PER FUTURI RIFERIMENTI**

# Installazione del collegamento a terra per ridurre il rischio di lesioni personali

## PERICOLO

Per evitare scosse elettriche e lesioni personali gravi o fatali, non toccare gli elementi interni. Non smontare questo elettrodomestico.

## AVVERTENZA

Eventuali difetti del collegamento a terra potrebbero provocare scosse elettriche. Se l'elettrodomestico non è installato e collegato correttamente a terra, non collegarlo alla presa elettrica.

L'elettrodomestico deve essere dotato di messa a terra. In caso di cortocircuito, il collegamento a terra limita il rischio di scosse elettriche in quanto il conduttore di terra garantisce un percorso per la dissipazione della corrente elettrica.

Questo elettrodomestico è fornito con un cavo dotato di un conduttore di terra e di una spina di messa a terra. La spina deve essere collegata a una presa correttamente

installata e dotata di messa a terra.

In caso di dubbi relativi al collegamento a terra dell'elettrodomestico, consultare un tecnico o un elettricista qualificato. Se è necessario adoperare una prolunga, utilizzare un cavo tripolare.

1. Il cavo di alimentazione fornito è corto per ridurre i rischi di intrappolamento e inciampo.
2. Se si utilizza un cavo lungo o una prolunga:
  - 1) Le caratteristiche elettriche nominali del cavo o della prolunga devono essere idonee alle caratteristiche elettriche dell'elettrodomestico.
  - 2) L'eventuale prolunga deve essere costituita da un cavo tripolare dotato di conduttore di terra.
  - 3) I cavi lunghi devono essere sistemati in modo che non ciondolino sul top della cucina, per evitare che vengano tirati dai bambini o possano far inciampare.

## **PULIZIA**

Accertarsi che l'elettrodomestico sia scollegato dalla fonte di alimentazione.

1. Pulire la cavità del forno con un panno lievemente bagnato.
2. Pulire gli accessori con acqua e sapone.
3. La cornice dello sportello, la guarnizione e i componenti vicini devono essere puliti attentamente con un panno bagnato se sono sporchi.
4. Non adoperare detersivi aggressivi e abrasivi o raschietti metallici affilati per pulire il vetro dello sportello del forno, altrimenti la superficie potrebbe graffiarsi e il vetro potrebbe frantumarsi.
5. Suggerimento per la pulizia: per facilitare la pulizia delle pareti della cavità che potrebbero entrare a contatto con gli alimenti cotti: collocare mezzo limone in una scodella, aggiungere 300 ml d'acqua e riscaldarla per 10 minuti con il forno a microonde al 100% della potenza. Per pulire il forno, strofinarlo con un panno morbido e asciutto.

## **UTENSILI DA CUCINA**

### **ATTENZIONE**

#### **Rischio di lesioni personali**

le operazioni di manutenzione e riparazione che implicano la rimozione degli involucri possono essere pericolose se non effettuate da personale competente, dal momento che causano l'esposizione all'energia a microonde.

Consultare le istruzioni che indicano i "Materiali utilizzabili e non utilizzabili nel forno a microonde". L'uso di determinati utensili da cucina non metallici non è sicuro per la cottura a microonde. In caso di dubbi, provare l'utensile da cucina effettuando la procedura indicata di seguito.

Prova dell'utensile da cucina:

1. Riempire un contenitore utilizzabile nel forno a microonde con una tazza d'acqua fredda (250 ml) assieme all'utensile da cucina da provare.
2. Accendere il forno alla massima potenza per 1 minuto.
3. Toccare con attenzione l'utensile da cucina. Se l'utensile da cucina vuoto è caldo, non deve essere utilizzato per la cottura a microonde.
4. Non superare il tempo di cottura di 1 minuto.

## Materiali utilizzabili nel forno a microonde

Utensili da cucina	Note
Piatto per doratura	Seguire le istruzioni del fabbricante. Il fondo del piatto per doratura deve trovarsi ad almeno 5 mm al di sopra del piatto girevole. Utilizzi errati potrebbero causare la rottura del piatto girevole.
Stoviglie	Solo quelle utilizzabili nei forni a microonde. Seguire le istruzioni del fabbricante. Non adoperare piatti screpolati o scheggiati.
Barattoli di vetro	Rimuovere sempre il coperchio. Adoperarli solo per riscaldare lievemente gli alimenti. La maggior parte dei barattoli di vetro non resistono al calore e possono rompersi.
Cristalleria	Adoperare solo cristalleria che resiste nei forni a microonde. Accertarsi che non siano presenti finiture metalliche. Non adoperare piatti screpolati o scheggiati.
Sacchetti per la cottura in forno	Seguire le istruzioni del fabbricante. Non chiuderli con fascette metalliche. Creare qualche feritoia per lasciare uscire il vapore.
Piatti e bicchieri di carta	Adoperarli solo per cottura o riscaldamento breve. Non lasciare il forno incustodito durante la cottura.
Carta assorbente	Adoperarla per coprire gli alimenti per riscaldarli e assorbire i grassi. Adoperarla solo per cotture brevi, senza lasciare incustodito il forno.
Carta da forno	Adoperarla come coperchio per evitare schizzi o per la cottura a vapore.
Plastica	Solo quelle utilizzabili nei forni a microonde. Seguire le istruzioni del fabbricante. Deve essere presente un'apposita etichetta indicante che è possibile utilizzarla nei forni a microonde. Alcuni contenitori in plastica si ammorbidiscono quando gli alimenti diventano caldi. Se si utilizzano sacchetti per la cottura e sacchetti in plastica chiusi ermeticamente, praticare piccoli tagli o fori come indicato sulla confezione.
Pellicola di plastica	Solo quelle utilizzabili nei forni a microonde. Utilizzarla per coprire gli alimenti durante la cottura per trattenere l'umidità. Evitare il contatto della plastica con gli alimenti.
Termometri	Solo quelli utilizzabili nei forni a microonde (termometri per la carne e i dolci).
Carta cerata	Adoperarla come coperchio per evitare schizzi o per trattenere l'umidità.

## Materiali da evitare nel forno a microonde

Utensili da cucina	Note
Vaschette di alluminio	Possono causare archi elettrici. Trasferire gli alimenti in un piatto adatto alla cottura a microonde.
Cartone per alimenti con maniglie metalliche	Possono causare archi elettrici. Trasferire gli alimenti in un piatto adatto alla cottura a microonde.
Utensili da cucina in metallo o con finiture metalliche	Il metallo scherma gli alimenti dall'energia a microonde. Le finiture metalliche possono causare archi elettrici.
Fascette metalliche	Possono causare archi elettrici e incendi nel forno.
Sacchetti di carta	Possono causare incendi nel forno.
Materiale espanso plastico	Il materiale espanso plastico può fondere o contaminare il liquido interno quando viene esposto ad alte temperature.
Legno	Quando viene utilizzato nel forno a microonde, il legno si secca e potrebbe creparsi o rompersi.

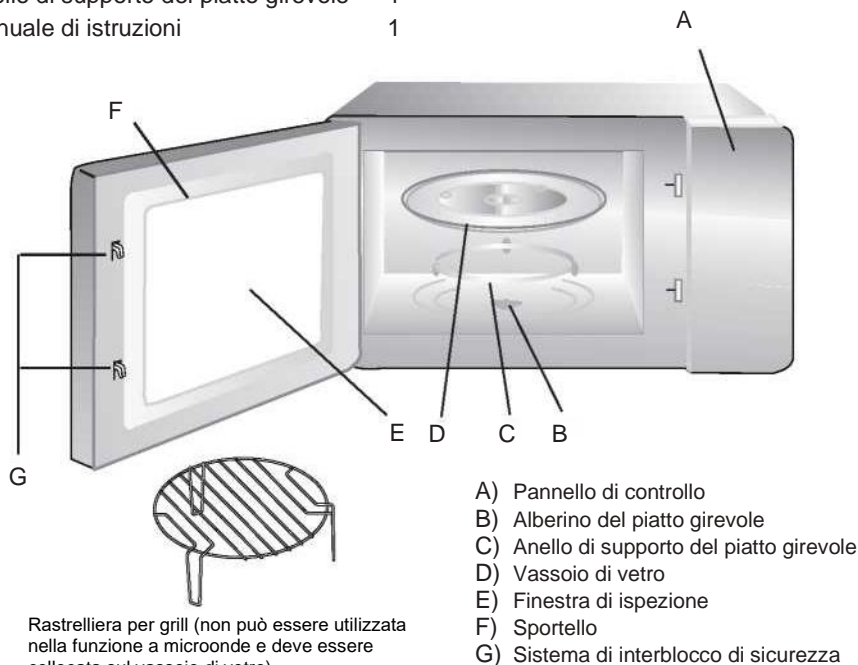
# IMPOSTAZIONE DEL FORNO

## Nomi dei componenti e degli accessori del forno

Togliere il forno e tutti i materiali dal cartone e dalla cavità del forno.

Il forno viene fornito con i seguenti accessori:

Vassoio di vetro	1
Anello di supporto del piatto girevole	1
Manuale di istruzioni	1



## Installazione del piatto girevole

Mozzo (parte inferiore)



Anello di supporto del piatto girevole

- Non capovolgere il vassoio di vetro. Il vassoio di vetro non deve mai bloccarsi.
- Durante la cottura, utilizzare sia il vassoio di vetro che l'anello di supporto del piatto girevole.
- Tutti gli alimenti e i contenitori devono essere collocati sempre sul vassoio di vetro per la cottura.
- Se il vassoio di vetro o l'anello di supporto del piatto girevole si incrina o si rompe, rivolgersi al centro assistenza autorizzato più vicino.

## Installazione e collegamento

1. Questo elettrodomestico è progettato solo per usi domestici.
2. Questo forno è destinato solo per il montaggio a incasso.  
Non è progettato per utilizzarlo sul top di cucina o all'interno di una credenza.
3. Attenersi scrupolosamente alle istruzioni particolari per l'installazione.
4. L'elettrodomestico può essere installato in una credenza montata a parete larga 60 cm.
5. La spina dell'elettrodomestico deve essere collegata solo a una presa dotata di messa a terra.
6. La tensione della rete elettrica deve corrispondere a quella specificata sulla targhetta dei dati.
7. L'installazione della presa e la sostituzione del cavo di collegamento devono essere effettuati solo da un elettricista qualificato. Se non è possibile accedere alla spina dopo l'installazione, predisporre un dispositivo di scollegamento omnipolare dal lato dell'installazione con un margine di contatto di almeno 3 mm.
8. Non adoperare adattatori, prese multiple e prolunghe. Eventuali sovraccarichi possono causare incendi.

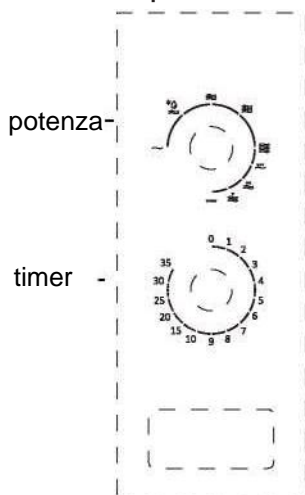
**La superficie accessibile può essere calda durante il funzionamento.**



# USO

## Pannello di controllo e funzioni

### Istruzioni per l'uso



1. Per impostare la potenza di cottura, ruotare la manopola della potenza fino al livello desiderato.
2. Per impostare il tempo di cottura, ruotare la manopola del timer fino al tempo desiderato, in base a quanto indicato nella guida alla cottura degli alimenti.
3. Il forno a microonde avvia automaticamente la cottura dopo l'impostazione del livello di potenza e del tempo.
4. Una volta trascorso il tempo di cottura, l'unità emette un segnale acustico e si arresta.
5. Se l'unità non viene utilizzata, impostare sempre il tempo a "0".

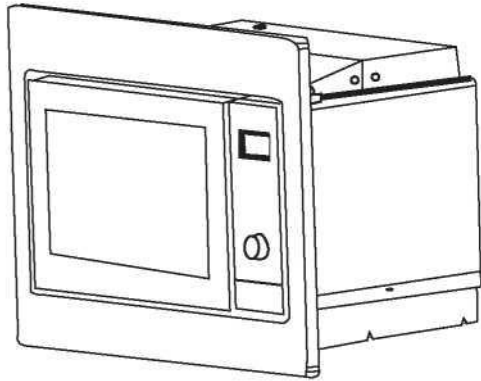
Funzione/potenza	Rendimento	Applicazione
~	Microonde al 17%	Ammorbidire il gelato
* ~	Microonde al 33%	Cuocere minestre, ammorbidire il burro
~	Microonde al 55%	Spezzatino, pesce
~	Microonde al 77%	Riso, pesce, pollo, carne macinata
~	Microonde al 100%	Riscaldare, latte, bollire acqua, verdure, bevande

Funzione/potenza	Rendimento	Applicazione
~	80% grill 20% micro.	Salsicce, agnello, kebab, frutti di mare, bistecche
~	70% grill 30% micro.	Tranci di pollo, petto di pollo, braciole di maiale
~	60% grill 40% micro.	Pollo intero
~	100% grill	Pane, alimenti a fette

**Avviso:** quando si rimuovono gli alimenti dal forno, accertarsi di azzerare la potenza del forno ruotando a 0 (zero) il commutatore dell'orologio. In caso contrario, se il forno rimane in funzione senza alimenti, potrebbe surriscaldarsi e il magnetron potrebbe danneggiarsi.

# Istruzioni per l'installazione

Consultare attentamente il manuale prima dell'installazione



## Nota

### Collegamento elettrico

Il forno è dotato di una spina e deve essere collegato solo a una presa dotata di messa a terra. In conformità alle normative pertinenti, l'installazione della presa e la sostituzione del cavo di collegamento devono essere effettuati solo da un elettricista qualificato.

Se non è possibile accedere alla spina dopo l'installazione, predisporre un interruttore di isolamento omnipolare dal lato dell'installazione con un margine di contatto di almeno 3 mm.

# Per un mobile alto 362 mm

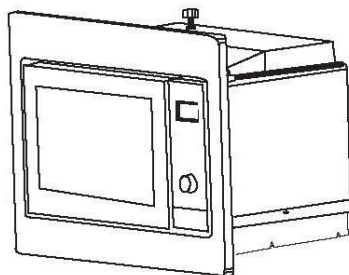
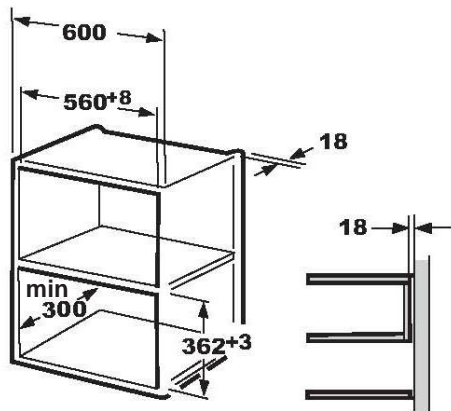
## A. Mobile da incasso

Il vano da incasso deve essere sprovvisto di fondo posteriore dietro l'elettrodomestico.

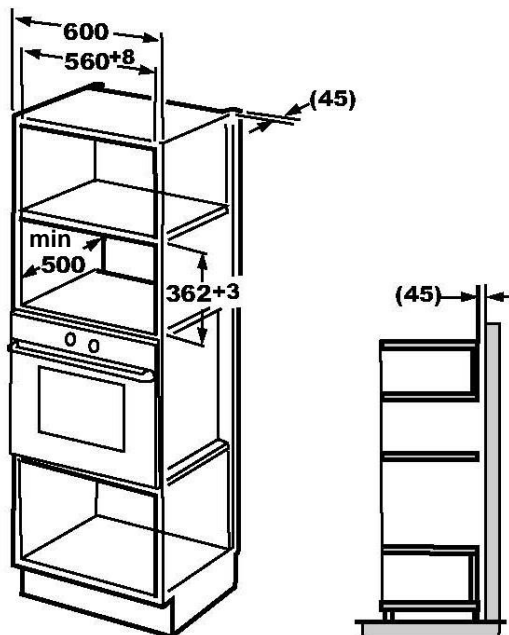
L'altezza minima di installazione è 85 cm.

Non coprire le feritoie di ventilazione e i punti di ingresso dell'aria.

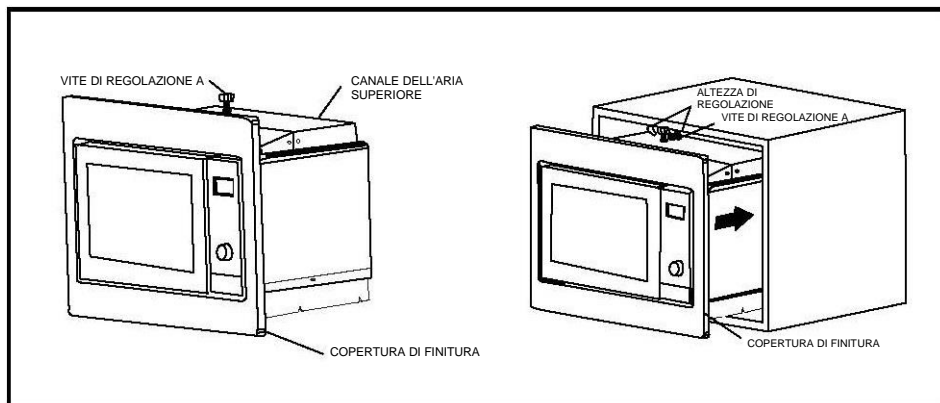
1.



2.

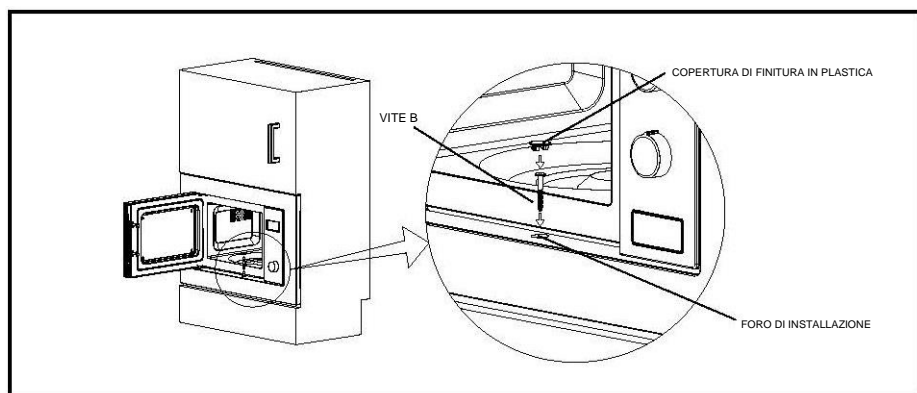


## B. Installare il forno



1. Fissare la VITE DI REGOLAZIONE A sul CANALE DELL'ARIA SUPERIORE del forno e installare il forno nel mobile.

- Regolare l'altezza della VITE DI REGOLAZIONE A in modo da lasciare 1 mm di spazio tra la VITE DI REGOLAZIONE A e il piano superiore del mobile.
- Non incastrare o piegare il cavo di alimentazione.
- Accertarsi che il forno sia installato al centro del mobile.



2. Aprire lo sportello e fissare il forno al mobile inserendo la VITE B nel FORO DI INSTALLAZIONE della COPERTURA DI FINITURA. Fissare la COPERTURA DI FINITURA IN PLASTICA al FORO DI INSTALLAZIONE.

# Per un mobile alto 370 mm

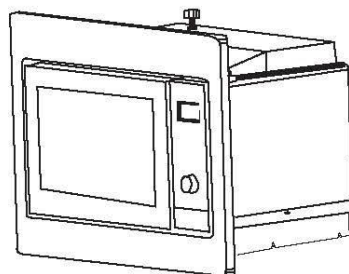
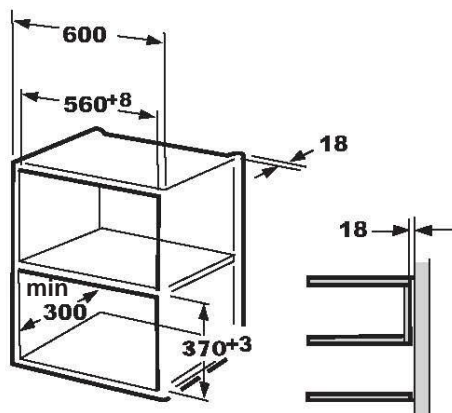
## A. Mobile da incasso

Il vano da incasso deve essere sprovvisto di fondo posteriore dietro l'elettrodomestico.

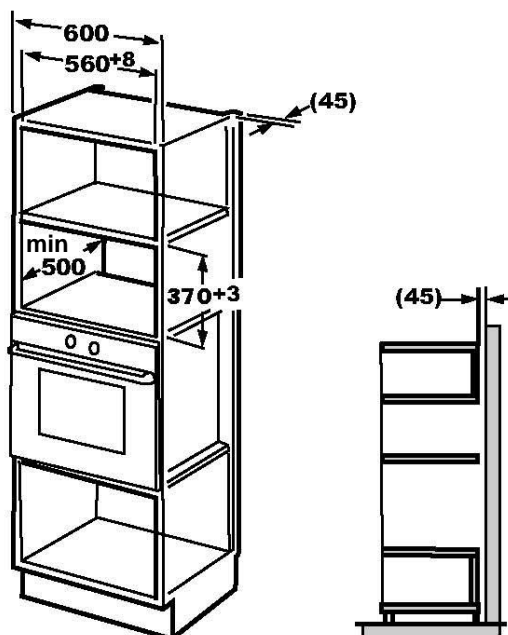
L'altezza minima di installazione è 85 cm.

Non coprire le feritoie di ventilazione e i punti di ingresso dell'aria.

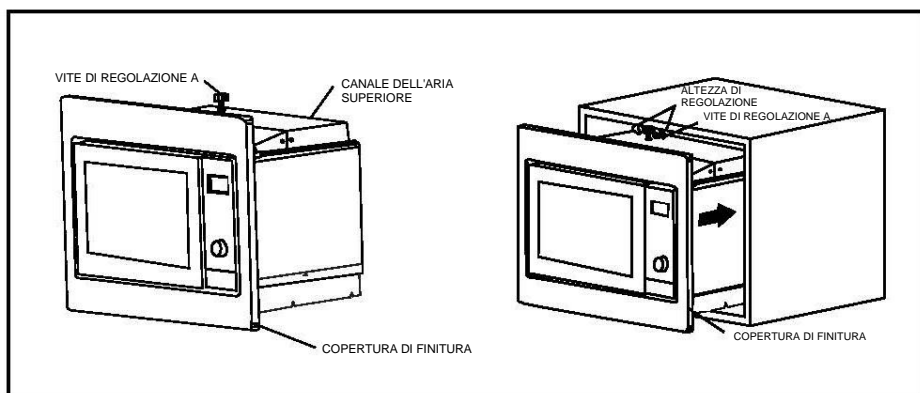
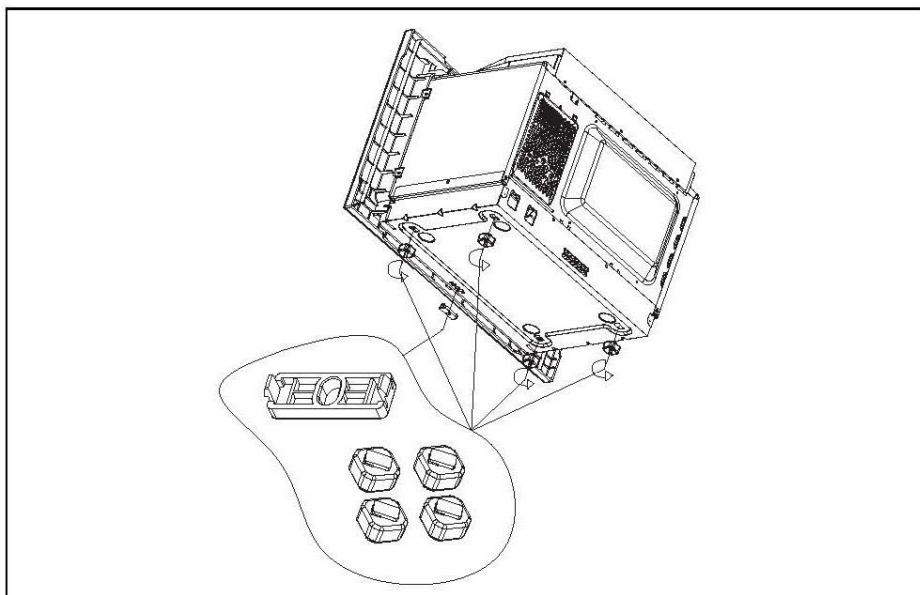
1.



2.

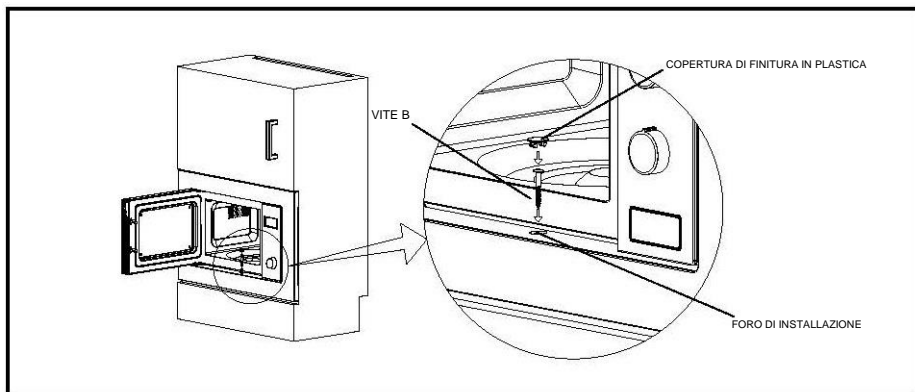


## B. Installare il forno



1. Fissare la VITE DI REGOLAZIONE A sul CANALE DELL'ARIA SUPERIORE del forno e installare il forno nel mobile.

- Regolare l'altezza della VITE DI REGOLAZIONE A in modo da lasciare 1 mm di spazio tra la VITE DI REGOLAZIONE A e il piano superiore del mobile.
- Non incastrare o piegare il cavo di alimentazione.
- Accertarsi che il forno sia installato al centro del mobile.



2. Aprire lo sportello e fissare il forno al mobile inserendo la VITE B nel FORO DI INSTALLAZIONE della COPERTURA DI FINITURA. Fissare la COPERTURA DI FINITURA IN PLASTICA al FORO DI INSTALLAZIONE.

# Per un mobile alto 380 mm

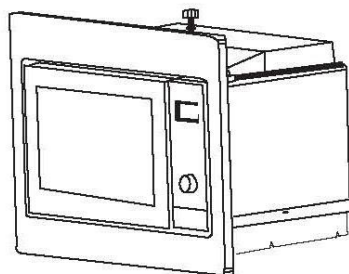
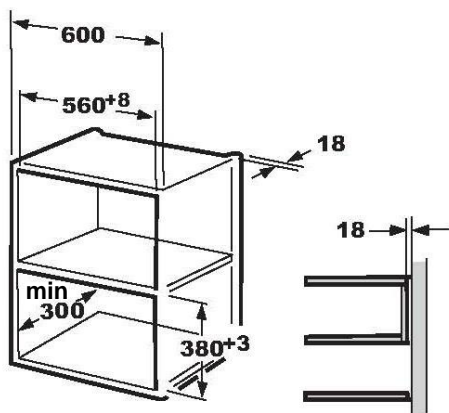
## A. Mobile da incasso

Il vano da incasso deve essere sprovvisto di fondo posteriore dietro l'elettrodomestico.

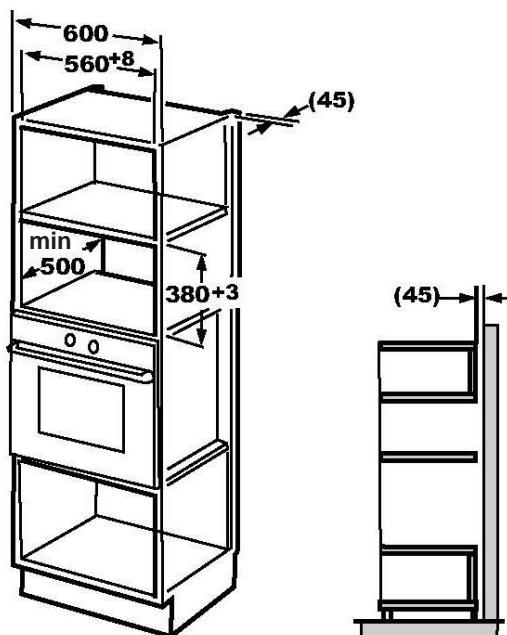
L'altezza minima di installazione è 85 cm.

Non coprire le feritoie di ventilazione e i punti di ingresso dell'aria.

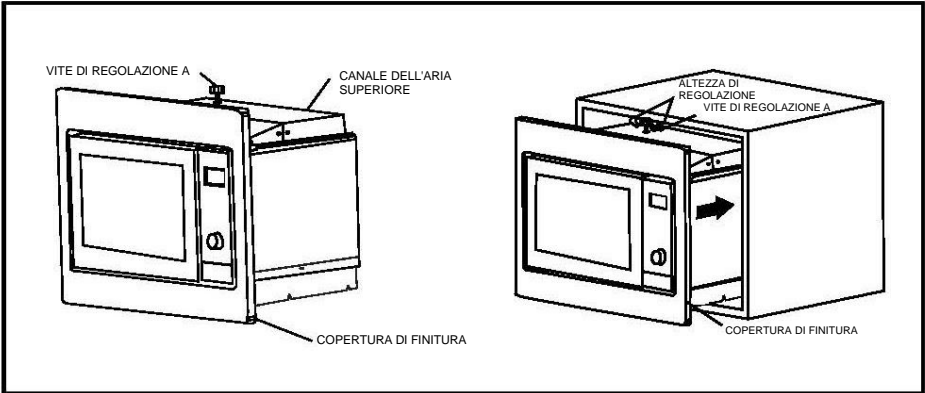
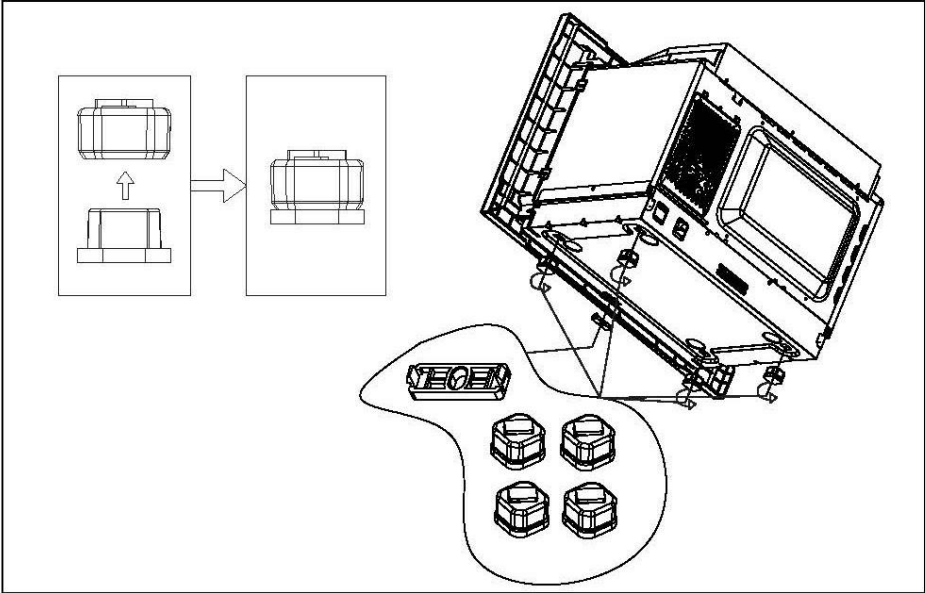
1.



2.

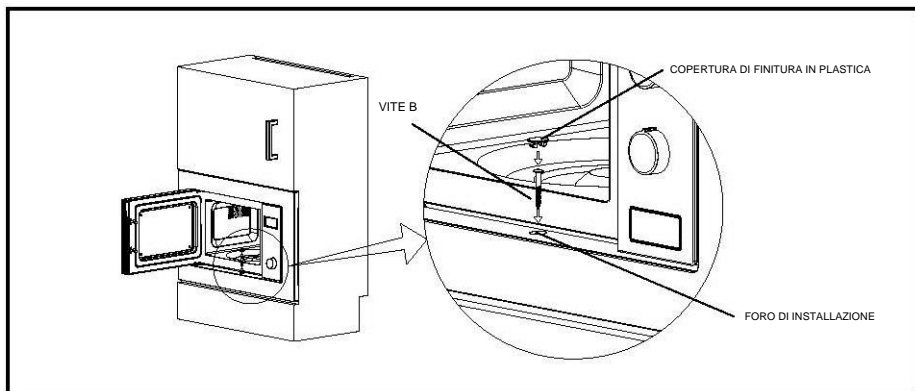


**B. Installare il forno**



1. Fissare la VITE DI REGOLAZIONE A sul CANALE DELL'ARIA SUPERIORE del forno e installare il forno nel mobile.

- Regolare l'altezza della VITE DI REGOLAZIONE A in modo da lasciare 1 mm di spazio tra la VITE DI REGOLAZIONE A e il piano superiore del mobile.
- Non incastrare o piegare il cavo di alimentazione.
- Accertarsi che il forno sia installato al centro del mobile.



2. Aprire lo sportello e fissare il forno al mobile inserendo la VITE B nel FORO DI INSTALLAZIONE della COPERTURA DI FINITURA. Fissare la COPERTURA DI FINITURA IN PLASTICA al FORO DI INSTALLAZIONE.

## Soluzione dei problemi

<b>Normale</b>	
Il forno a microonde interferisce con la ricezione del segnale televisivo	Quando il forno a microonde è in funzione, potrebbe interferire sulla ricezione del segnale radio e televisivo. Il fenomeno è simile alle interferenze di piccoli elettrodomestici (ad es. frullatore, aspirapolvere, ventilatori elettrici). È normale.
La spia del forno è debole	Se la cottura a microonde avviene a bassa potenza, la spia del forno potrebbe diventare debole. È normale.
Accumulo di vapore sullo sportello, fuoriuscita di aria calda dagli sfiati	Durante la cottura, potrebbe fuoriuscire vapore dagli alimenti. La maggior parte viene estratto dagli sfiati. Parte, però, potrebbe accumularsi su una zona fresca, ad esempio lo sportello del forno. È normale.
Il forno si è avviato accidentalmente senza alimenti.	Non azionare l'elettrodomestico senza alimenti all'interno. È molto pericoloso.

<b>Problema</b>	<b>Causa possibile</b>	<b>Soluzione</b>
Il forno non si avvia.	(1) Il cavo di alimentazione non è collegato saldamente.	Staccare il cavo. Ricollegare il cavo dopo 10 secondi.
	(2) Il fusibile si brucia o interviene il salvavita.	Sostituire il fusibile o resettare il salvavita (riparato da un professionista della società elettrica).
	(3) Problema con la presa elettrica.	Provare la presa elettrica con altri elettrodomestici.
Il forno non si riscalda.	(4) Lo sportello non è chiuso correttamente.	Chiudere bene lo sportello.

PN:16170000A74017



In conformità alla direttiva RAEE (Rifiuti di Apparecchiature Elettriche ed Elettroniche), le apparecchiature elettriche ed elettroniche di scarto devono essere smaltite e gestite separatamente. Se in futuro occorre smaltire questo prodotto, **NON** smaltirlo assieme ai rifiuti domestici. Conferire questo prodotto nei punti disponibili alla raccolta delle apparecchiature elettriche ed elettroniche di scarto.

