

DAILY REFERENCE GUIDE

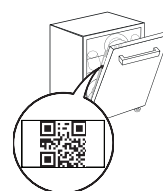


THANK YOU FOR BUYING AN INDESIT PRODUCT.
In order to receive a more complete assistance, please register your appliance on: www.indesit.com/register



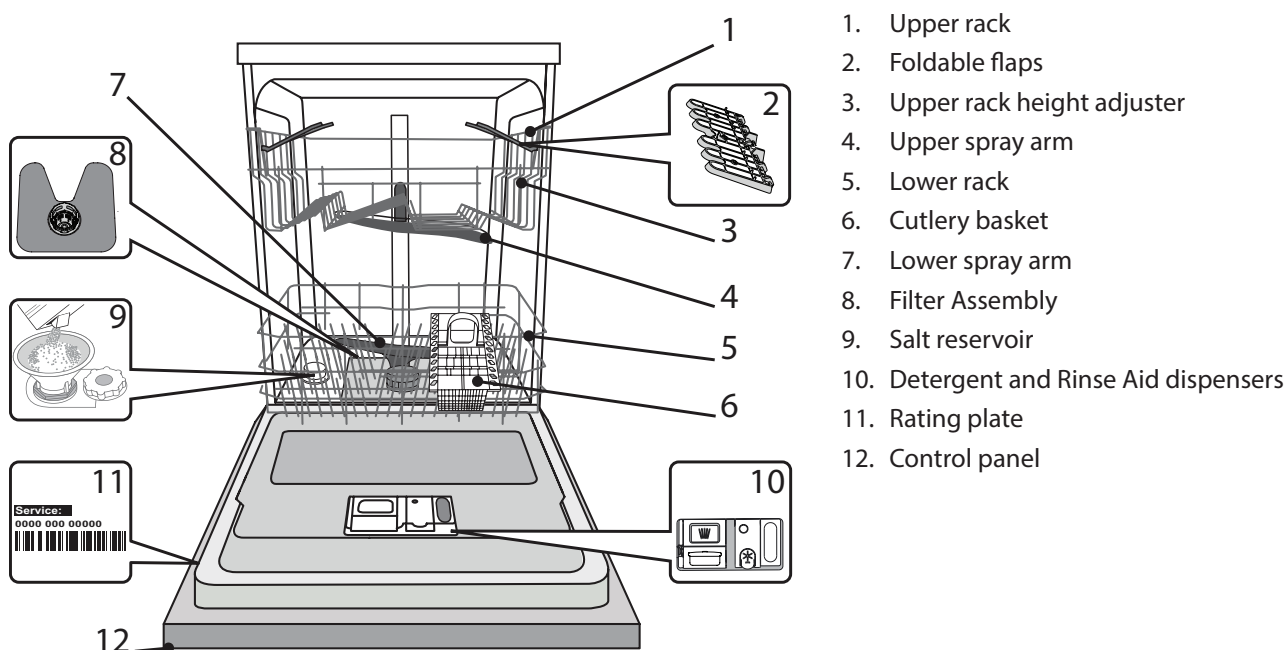
Before using the appliance carefully read Safety and Installation Instructions.
After installation, please remember to remove all transport protection parts from the dishwasher.

PLEASE SCAN THE QR CODE ON YOUR APPLIANCE IN ORDER TO HAVE MORE DETAILED INFORMATION

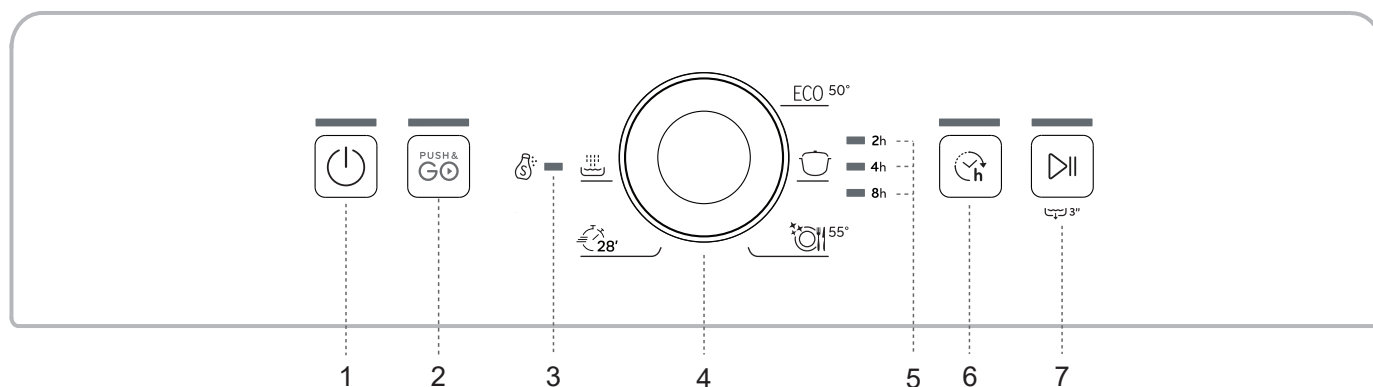


PRODUCT DESCRIPTION

APPLIANCE



CONTROL PANEL



1. On-Off/Reset button with indicator light
2. Push & Go button with indicator light
3. Salt refill indicator light
4. Program selection knob
5. Delay indicator lights
6. Delay button with indicator light
7. Start/Pause button with indicator light / Drain out

FIRST TIME USE

SALT, RINSE AID AND DETERGENT


ADVICE REGARDING THE FIRST TIME USE

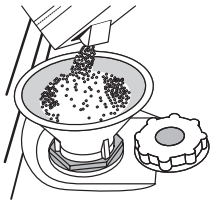
After installation, remove the stoppers from the racks and the retaining elastic elements from the upper rack.

FILLING THE SALT RESERVOIR

The use of salt prevents the formation of LIMESCALE on the dishes and on the machine's functional components.

- It is mandatory that **THE SALT RESERVOIR NEVER BE EMPTY.**
- It is important to set the water hardness.

The salt reservoir is located in the lower part of the dishwasher (see *PRODUCT DESCRIPTION*) and must be filled when the **SALT REFILL indicator light**  in the control panel is lit.



1. Remove the lower rack and unscrew the reservoir cap (anticlockwise).
2. **Only the first time you do this: fill the salt reservoir with water.**
3. Position the funnel (see figure) and fill the salt reservoir right up to its edge (approximately 1 kg); it is not unusual for a little water to leak out.
4. Remove the funnel and wipe any salt residue away from the opening.


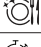
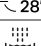

Make sure the cap is screwed on tightly, so that no detergent can get into the container during the wash program (this could damage the water softener beyond repair).

Whenever you need to add salt, it is mandatory to complete the procedure before the beginning of the washing cycle to avoid corrosion.

SETTING THE WATER HARDNESS

To allow the water softener to work in a perfect way, it is essential that the water hardness setting is based on the actual water hardness in your house. This information can be obtained from your local water supplier. The factory sets the default value for the water hardness

- Switch on the appliance by pressing the **ON/OFF** button.
- Switch off the appliance by pressing the **ON/OFF** button.
- Hold down button **START/Pause** for 5 seconds.
- Switch on the appliance by pressing the **ON/OFF** button.
- The **ON/OFF LED** light will flash as many times as the level that was set.
- Set the desired water hardness level using the **PROGRAM SELECTION knob** (see *WATER HARDNESS TABLE*).

Water Hardness Table					
Level			°dH German degrees	°fH French degrees	°Clark English degrees
1	ECO	Soft	0 - 6	0 - 10	0 - 7
2		Medium	7 - 11	11 - 20	8 - 14
3		Average	12 - 16	21 - 29	15 - 20
4		Hard	17 - 34	30 - 60	21 - 42
5		Very hard	35 - 50	61 - 90	43 - 62

- Switch off the appliance by pressing the **ON/OFF** button.
- Setting is complete!

As soon as this procedure is complete, run a program without loading.

Only use salt that has been specifically designed for dishwashers.

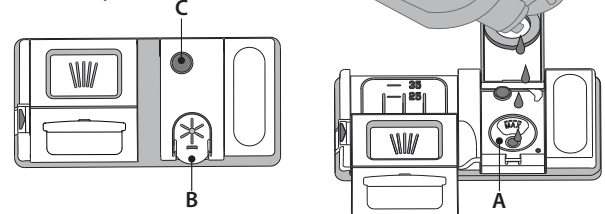
After the salt has been poured into the machine, the SALT REFILL indicator light switches off.

If the salt container is not filled, the water softener and the heating element may be damaged as a result of limescale accumulation.

Using of Salt is recommended with any type of dishwasher detergent.

FILLING THE RINSE AID DISPENSER

Rinse aid makes dish DRYING easier. The rinse aid dispenser **A** should be filled when the dark optical indicator on the dispenser door **C** becomes transparent.



1. Open the dispenser **B** by pressing and pulling up the tab on the lid.
2. Pour in the rinse aid (max.110 ml), making sure it does not overflow from the dispenser. If this happens, clean the spill immediately with a dry cloth.
3. Press the lid down until you hear a click to close it.

NEVER pour the rinse aid directly into the appliance tub.

ADJUSTING THE DOSAGE OF RINSE AID

If you are not completely satisfied with the drying results, you can adjust the quantity of rinse aid used.

- Switch the dishwasher on using the **ON/OFF** button.
- Switch it off using the **ON/OFF** button.
- Press button **START/Pause** three times.
- Switch it on using the **ON/OFF** button.
- The **START/Pause LED** light will flash as many times as the level that was set.
- Set the level of rinse aid quantity to be supplied using the **PROGRAM SELECTION knob** (see *PROGRAMS TABLE*).
- Switch it off using the **ON/OFF** button

Setting is complete!

If the rinse aid level is set to 1 (ECO), no rinse aid will be supplied.

A maximum of 5 levels can be set according to the dishwasher model. The factory setting is specific to the model, please follow instruction above to check this for your machine.

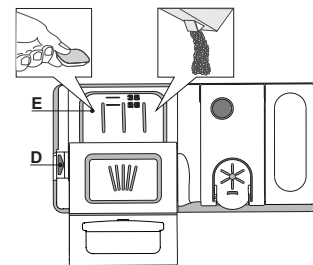
- If you see bluish streaks on the dishes, set a low number (2-3).
- If there are drops of water or limescale marks on the dishes, set a mid-range number (4-5).

FILLING THE DETERGENT DISPENSER

To open the detergent dispenser use the opening device D.

Introduce the detergent into the dry dispenser E only.

Place the amount of detergent for pre-washing directly inside the tub.



1. When measuring out the detergent refer to the mentioned earlier information to add the proper quantity. Inside the dispenser **E** there are indications to help the detergent dosing.
2. Remove detergent residues from the edges of the dispenser and close the cover until it clicks.
3. Close the lid of the detergent dispenser by pulling it up until the closing device is secured in place.

The detergent dispenser automatically opens up at the right time according to the program.

Usage of detergent not designed for dishwashers may cause malfunction or damage to the appliance.

PROGRAMS TABLE

Program	Drying phase	Available options ^{*)}	Duration of wash program (h:min) ^{**)}	Water consumption (litres/cycle)	Energy consumption (kWh/cycle)
1. Eco ECO 50°	✓		4:45	12.0	0.85
2. Intensive	✓		2:30	15.0	1.50
3. Mixed	✓		2:00	15.0	1.35
4. Fast&Clean 28'	-		0:28	9.0	0.50
5. Pre-Wash	-		0:10	4.5	0.01
6. Push&GO	✓		1:25	11.5	1.10

ECO program data is measured under laboratory conditions according to European Standard EN 60436:2020.

Note for Test Laboratories:

For information on comparative EN testing conditions, please send an email to the following address: dw_test_support@europeanappliances.com

Pre-treatment of the dishes is not needed before any of the programs.

*) Not all options can be used simultaneously.

***) Values given for programs other than the program Eco are indicative only. The actual time may vary depending on many factors such as temperature and pressure of the incoming water, room temperature, amount of detergent, quantity and type of load, load balancing, additional selected options and sensor calibration. The sensor calibration can increase program duration up to 20 min.

PROGRAMS DESCRIPTION

Instructions on wash cycle selection.

1 ECO

Eco programme is suitable to clean normally soiled tableware, that for this use, it is the most efficient programme in terms of its combined energy and water consumption, and that it is used to assess compliance with the EU Ecodesign legislation.

2 INTENSIVE

Program recommended for heavily soiled crockery, especially suitable for pans and saucepans (not to be used for delicate items).

3 MIXED

Mixed soil. For normally soiled dishes with dried food residues.

4 FAST&CLEAN 28'

Program to be used for half load of lightly-soiled dishes with no dried food residues Does not have drying phase

5 PRE-WASH

Use to refresh crockery planned to be washed later. No detergent to be used with this program.

6 PUSH&GO

Everyday wash and dry cycle that ensures great cleaning performance in a short time without the need to pre-treat dishes.

Notes:

Please note that cycle Fast&Clean 28' is dedicated for lightly soiled dishes.

OPTIONS AND FUNCTIONS

OPTIONS can be selected directly by pressing the corresponding button (see *CONTROL PANEL*).

If an option is not compatible with the selected program see *PROGRAMS TABLE*, the corresponding LED flashes rapidly 3 times. The option will not be enabled.

PUSH&GO

Push&Go button is an easily distinguishable button that allows you direct access to the Push&Go program, a wash and dry cycle that ensures great cleaning performance in a short time. You don't have to worry which program to choose, Push&Go cycle will do the work for you.

To select Push&Go program, switch on appliance, press **only Push&Go** button for 3 seconds.

DRAIN OUT

To stop and cancel the active cycle, the Drain Out function can be used.

A long press of START/PAUSE button, will activate the DRAIN OUT function. The active program will be stopped and the water in the dishwasher will be drained out.

DELAY

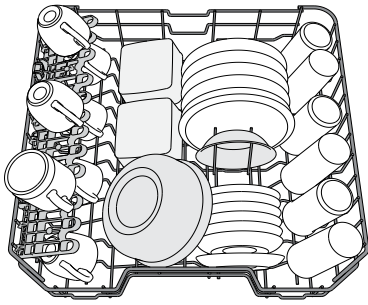
It is possible to delay the start time of the program by **2, 4** or **8** hours:

1. After selecting the desired program and any other options, press the DELAY button. The indicator light will go on.
2. Select the desired delay time by pressing the DELAY button repeatedly. The 2 hours, 4 hours and 8 hours indicator lights will go on in succession. If the DELAY button is pressed again, the option is deselected and the indicator light goes off;
3. After the selection process, the countdown will begin if the START/PAUSE button is pressed. The selected delay period indicator light is on and the START/PAUSE button lights up (fixed light).
4. Once this time has elapsed, the DELAY indicator light goes off and the program begins.

The DELAY function cannot be set once a program has been started.

LOADING THE RACKS

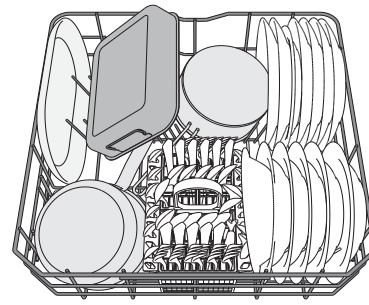
UPPER RACK



(loading example for the upper rack)

Load delicate and light dishes: glasses, cups, saucers, low salad bowls.

LOWER RACK



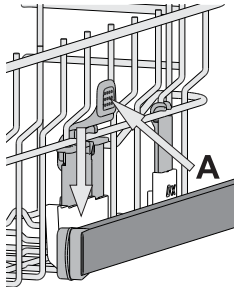
(loading example for the lower rack)

For pots, lids, plates, salad bowls, cutlery etc. Large plates and lids should ideally be placed at the sides to avoid interferences with the spray arm.

ADJUSTING THE HEIGHT OF THE UPPER RACK

The height of the upper rack can be adjusted: high position to place bulky crockery in the lower basket and low position to make the most of the tip-up supports by creating more space upwards and avoid collision with the items loaded into lower rack.

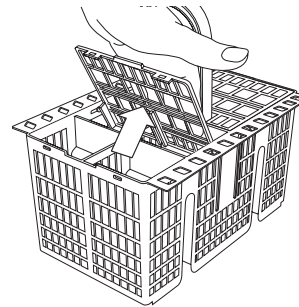
The upper rack is equipped with a **Upper Rack height adjuster** (see figure), without pressing the levers, lift it up by simply holding the rack sides, as soon as the rack is stable in its upper position. To restore to the lower position, press the levers **A** at the sides of the rack and move the basket downwards.



We strongly recommend that you do not adjust the height of the rack when it is loaded.

NEVER raise or lower the basket on one side only.

CUTLERY BASKET



It is fitted with top grids for improved cutlery arrangement. It must only be positioned at the front of the lower rack.

Knives and other utensils with sharp edges must be placed in the cutlery basket with the points facing downwards or they must be positioned horizontally in the tip-up compartments on the upper rack.

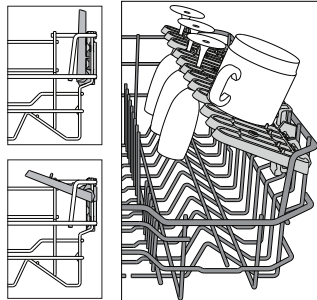
FOLDABLE FLAPS WITH ADJUSTABLE POSITION

The side foldable flaps can be fold or unfold to optimize the arrangement of crockery inside the rack.

Wine glasses can be placed safely in the foldable flaps by inserting the stem of each glass into the corresponding slots.

Depending on the model:

- to unfold the flaps there is needed to slide it up and rotate or release it from the snaps and pull it down.
- to fold the flaps there is needed to rotate it and slide flaps down or pull it up and attach flaps to the snaps.



DAILY USE

1. CHECK WATER CONNECTION

Check that the dishwasher is connected to the water supply and that the tap is open.

2. SWITCH ON THE DISHWASHER

Press the **ON/OFF** button.

3. LOAD THE RACKS

(see *LOADING THE RACKS*)

4. FILLING THE DETERGENT DISPENSER

5. CHOOSE THE PROGRAM AND CUSTOMISE THE CYCLE

Select the most appropriate program in accordance with the type of crockery and its soiling level (see *PROGRAMS DESCRIPTION*) by turning the **PROGRAM SELECTION knob** clockwise. Select the desired options (see *OPTIONS AND FUNCTIONS*).

6. START

Start the wash cycle by pressing the **START/Pause** button.

7. END OF WASH CYCLE

The end of the wash cycle is indicated by the **ON/OFF LED** lit. Switch off the appliance by pressing the **ON/OFF** button and open the door.

Wait for a few minutes before removing the crockery - to avoid burns. Unload the racks, beginning with the lower one.

The machine will switch off automatically during certain extended periods of inactivity, in order to minimise electricity consumption. If the crockery is only lightly soiled or if it has been rinsed with water before being placed in the dishwasher, reduce the amount of detergent used accordingly.

MODIFYING A RUNNING PROGRAM

If a wrong program was selected, it is possible to change it, provided that it has only just begun: press and hold the **ON/OFF** button, the machine will switch off. Switch the machine back on using the **ON/OFF** button and select the new wash cycle and any desired options; start the cycle by pressing the **START/Pause** button.

ADDING EXTRA CROCKERY

Without switching off the machine, open the door (**be ware of HOT steam!**) and place the crockery inside the dishwasher. Close the door and press the **START/Pause** button the cycle will begin from the point at which it was interrupted.

ACCIDENTAL INTERRUPTIONS

If the door is opened during the wash cycle, or if there is a power cut, the cycle stops. Once the door has been closed or the electricity supply is restored, to start again the cycle from where it was interrupted, press the **START/Pause** button.

ADVICE AND TIPS

TIPS

Before loading the baskets, remove all food residues from the crockery and empty the glasses. You do not need to rinse beforehand under running water.

Arrange the crockery so that it is held in place firmly and does not tip over; and arrange the containers with the openings facing downwards and the concave/convex parts placed obliquely, thus allowing the water to reach every surface and flow freely.

Warning: lids, handles, trays and frying pans do not prevent the sprayer arms from rotating.

Place any small items in the cutlery basket.

Very soiled dishes and pans should be placed in the lower basket because in this sector the water sprays are stronger and allow a higher washing performance.

After loading the appliance, make sure that the sprayer arms can rotate freely.

UNSUITABLE CROCKERY

- Wooden crockery and cutlery.
- Delicate decorated glasses, artistic handicraft and antique crockery. Their decorations are not resistant.
- Parts in synthetic material which do not withstand high temperatures.
- Copper and tin crockery.
- Crockery soiled with ash, wax, lubricating grease or ink.

The colours of glass decorations and aluminium/silver pieces can change and fade during the washing process. Some types of glass (e.g. crystal objects) can become opaque after a number of wash cycles too.

DAMAGE TO GLASS AND CROCKERY

- Only use glasses and porcelain guaranteed by the manufacturer as dishwasher safe.
- Use a delicate detergent suitable for crockery
- Collect glasses and cutlery from the dishwasher as soon as the wash cycle is over.

TIPS ON ENERGY SAVING

- When the household dishwasher is used according to the manufacturer's instructions, **washing tableware in a dishwasher usually consumes less energy and water than hand dishwashing.**
- In order to maximize dishwasher efficiency it is recommended to **initiate the wash cycle once dishwasher is fully loaded.** Loading the household dishwasher up to the capacity indicated by the manufacturer will contribute to energy and water savings. Information on correct loading of tableware can be found in *LOADING THE RACKS* chapter. In case of partial loading it is recommended to use dedicated wash options if available (Half load/ Zone Wash, Multizone), filling up only selected racks. Incorrect loading or overloading the dishwasher may increase resources usage (such as water, energy and time, as well as increase noise level), reducing cleaning and drying performance.
- Manual pre-rinsing of tableware items leads to increased water and energy consumption and is not recommended.

HYGIENE

To avoid odour and sediment which can be accumulated in the dishwasher please **run a high temperature program at least one a month.** Use a tea spoon of detergent and run it without the loading to clean your appliance.

CARE AND MAINTENANCE

CLEANING THE FILTER ASSEMBLY

Regularly clean the filter assembly so that the filters do not clog and that the waste water flows away correctly.

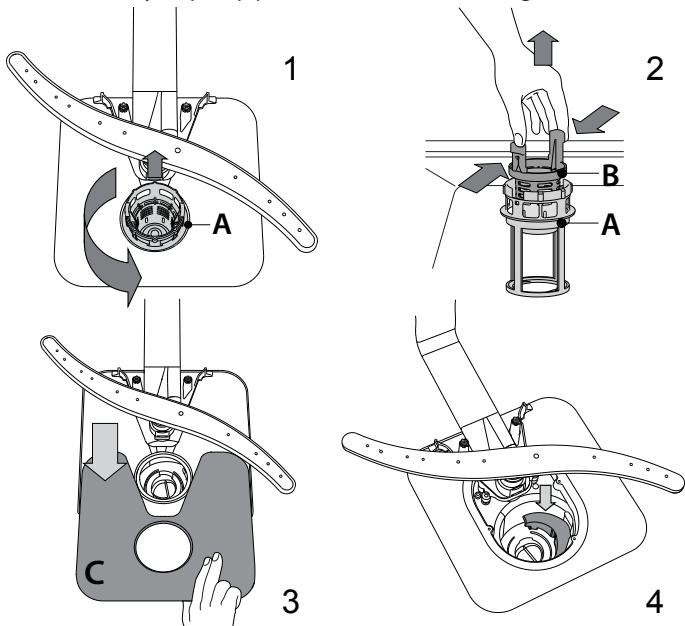
Using dishwasher with clogged filters or foreign objects inside filtration system or sprayarms may cause unit malfunction resulting in lose of performance, noisy work or higher resources usage.

The filter assembly consists of three filters which remove food residues from the washing water and then recirculate the water.

The dishwasher must not be used without filters or if the filter is loose.

At least once per month or after each 30 cycles, check the filter assembly and if necessary clean it thoroughly under running water, using a non-metallic brush and following the instructions below:

1. Turn the cylindrical filter **A** in an anti-clockwise direction and pull it out (Fig 1).
2. Remove the cup filter **B** by exerting a slight pressure on the side flaps (Fig 2).
3. Slide out the stainless-steel plate filter **C** (Fig 3).
4. In case you find foreign objects (such as broken glass, porcelain, bones, fruit seeds etc.) **please remove them carefully**.
5. Inspect the trap and remove any food residues. **NEVER REMOVE** the wash-cycle pump protection (black detail) (Fig 4).



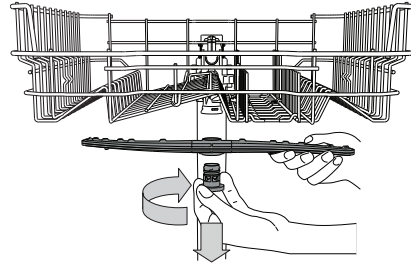
After cleaning the filters, re-place the filter assembly and fix it in position correctly; this is essential for maintaining the efficient operation of the dishwasher.

CLEANING THE WATER INLET HOSE

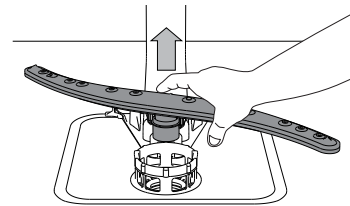
If the water hoses are new or have not been used for an extended period of time, let the water run to make sure it is clear and free of impurities before performing the necessary connections. If this precaution is not taken, the water inlet could become blocked and damage the dishwasher.

CLEANING THE SPRAY ARMS

On occasions, food residue may become encrusted onto the spray arms and block the holes used to spray the water. It is therefore recommended that you check the arms from time to time and clean them with a small non-metallic brush.



To remove the upper spray arm, turn the plastic locking ring in a clockwise direction. The upper spray arm should be replaced so that the side with the greater number of holes is facing upwards.



The lower spray arm may be removed by pulling it upwards.

WATER SOFTENING SYSTEM

Water softener automatically reduces water hardness, consequently preventing scale buildup on heater, contributing also to better cleaning efficiency.

This system regenerates itself with salt, therefore it is required to refill salt container when empty.


Frequency of regeneration depends on water hardness level setting - regeneration takes place once per 5 Eco cycles with water hardness level set to 3.

Regeneration process starts in final rinse and finishes in drying phase, before cycle ends.

- Single regeneration consumes: ~3.5L of water;
- Takes up to 5 additional minutes for the cycle;
- Consumes below 0.005kWh of energy.

TROUBLESHOOTING

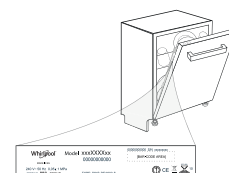
In case your dishwasher doesn't work properly, check if the problem can be solved by going through the following list. For other errors or issues please contact authorized After-sales Service which contact details can be found in the warranty booklet. Spare parts will be available for a period of either up to 7 or up to 10 years, according to the specific Regulation requirements.

PROBLEMS	POSSIBLE CAUSES	SOLUTIONS
 Salt indicator is lit	Salt reservoir is empty. (After refill the salt indicator may remain lit for several wash cycles).	Refill reservoir with salt (for more information - see page 2). Adjust water hardness - see table, page 2.
The dishwasher won't start or does not respond to commands.	The appliance has not been plugged in properly.	Insert the plug into the socket.
	Power outage.	For safety reasons, dishwasher will not restart automatically when power returns. Press the START/Pause button to resume the cycle.
	The dishwasher door is not closed.	Vigorously push the door until you hear the "click".
	Cycle is interrupted by door opening for > 4 sec.	Close the door and press START/Pause.
The dishwasher won't drain.	It does not respond to commands.	Switch off the appliance by pressing the ON/OFF button, switch it back on after approximately one minute and restart the program. If problem persists, unplug the appliance for 1 minute, then plug it back in.
	The wash cycle has not finished yet.	Wait until the wash cycle finishes.
	The drain hose is bent.	Check that the drain hose is not bent (see <i>INSTALLATION INSTRUCTION</i>).
	The sink drain pipe is blocked.	Clean the sink drain pipe.
The dishwasher makes excessive noise.	The filter is clogged up with food residues.	Clean the filter (see <i>CLEANING THE FILTER ASSEMBLY</i>).
	The dishes are rattling against each other.	Position the crockery correctly (see <i>LOADING THE RACKS</i>).
The dishes are not clean.	An excessive amount of foam has been produced.	The detergent has not been measured out correctly or it is not suitable for use in dishwashers (see <i>FILLING THE DETERGENT DISPENSER</i>). Restart dishwasher by pressing the DRAIN button (see <i>OPTIONS AND FUNCTIONS</i>) and run new program without detergent.
	The crockery has not been arranged properly.	Arrange the crockery correctly (see <i>LOADING THE RACKS</i>).
	The spray arms cannot rotate freely, being hindered by the dishes.	Arrange the crockery correctly (see <i>LOADING THE RACKS</i>).
	The wash cycle is too gentle.	Select an appropriate wash cycle (see <i>PROGRAMS TABLE</i>).
	An excessive amount of foam has been produced.	The detergent has not been measured out correctly or it is not suitable for use in dishwashers (see <i>FILLING THE DETERGENT DISPENSER</i>).
	The cap on the rinse aid compartment has not been shut correctly.	Make sure the cap of the rinse aid dispenser is closed.
The dishwasher does not fill the water. All LEDs are blinking rapidly.	The filter is soiled or clogged.	Clean the filter assembly (see <i>CARE AND MAINTENANCE</i>).
	There is no salt.	Fill the salt reservoir (see <i>FILLING THE SALT RESERVOIR</i>).
	No water in the water supply or the tap is closed.	Make sure there is water in the water supply or the tap running.
Dishwasher finishes the cycle prematurely.	The inlet hose is bent.	Make sure the inlet hose is not bent (see <i>INSTALLATION</i>) reprogram the dishwasher and reboot.
	The sieve in the water inlet hose is clogged; it is necessary to clean it.	After having carried out the verification and cleaning, turn off and turn on the dishwasher and restart a new program.
Detergent leaks.	Drain hose positioned too low or siphoning into home sewage system.	Check if end of drain hose is placed at correct height (see <i>INSTALLATION</i>). Check for siphoning into home sewage system, install air admittance valve if necessary.
	Air in water supply.	Check water supply for leaks or other issues letting air inside.
	Depends on the liquid detergent used and can be emphasized in case of delay option is activated.	Small leaks will not cause machine malfunction and can be avoided by changing liquid detergent type or using tablets.

Policies, standard documentation, ordering of spare parts and additional product information can be found by:

- Using QR code on your product.
- Visiting our website docs.indesit.eu and parts-selfservice.europeanappliances.com
- Alternatively, **contact our After-sales Service** (See phone number in the warranty booklet). When contacting our After-sales Service, please state the codes provided on your product's identification plate.

The model information can be retrieved using the QR-Code reported in the energy label. The label also includes the model identifier that can be used to consult the portal of the registry at <https://eprel.ec.europa.eu>.



GUIDE D'UTILISATION QUOTIDIENNE

D'UTILISATION QUOTIDIENNE



MERCI D'AVOIR CHOISI UN PRODUIT INDESIT.

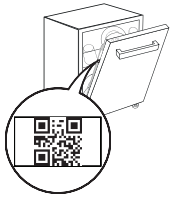
Afin de recevoir une assistance plus complète, merci d'enregistrer votre appareil on: www.indesit.com/register



Avant d'utiliser l'appareil, il convient de lire attentivement les consignes de sécurité et d'installation.

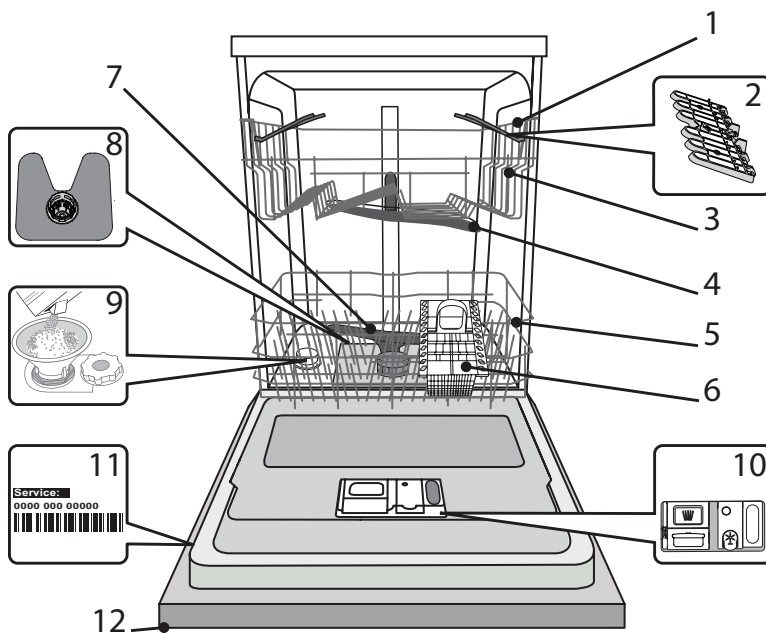
Après l'installation, rappelez-vous d'enlever toutes les pièces de protection pour le transport du lave-vaisselle.

MERCI DE SCANNER LE QR CODE SUR VOTRE APPAREIL POUR OBTENIR DES INFORMATIONS PLUS DÉTAILLÉES.



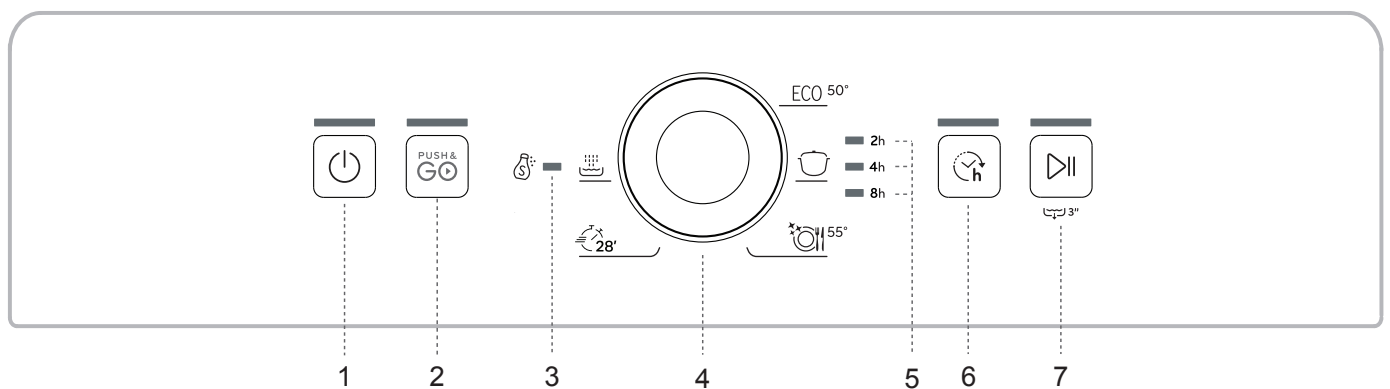
DESCRIPTION DU PRODUIT

APPAREIL



1. Panier supérieur
2. Volets pliables
3. Bouton de réglage de la hauteur du panier supérieur
4. Bras d'aspersion supérieur
5. Panier inférieur
6. Panier à couver
7. Bras d'aspersion inférieur
8. Ensemble filtre
9. Réservoir à sel
10. Distributeurs de détergent et liquide de rinçage
11. Plaque signalétique
12. Panneau de commande

PANNEAU DE COMMANDE



1. Touche Marche-Arrêt/Réinitialisation avec le voyant
2. Touche Push&GO avec le voyant
3. Voyant de niveau de sel
4. Bouton de sélection du programme
5. Voyant Différé
6. Touche Différé avec le voyant
7. Touche DÉMARRER/PAUSE avec le voyant / Drainer

PREMIÈRE UTILISATION

SEL, LIQUIDE DE RINÇAGE, ET DÉTERGENT

CONSEILS AU SUJET DE LA PREMIÈRE UTILISATION

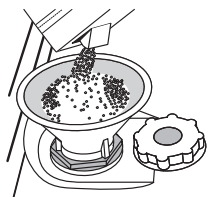
Après l'installation, enlevez les boulons d'arrêt sur les paniers et les éléments élastiques qui retiennent le panier supérieur.

REMPILIR LE RÉSERVOIR DE SEL RÉGÉNÉRANT

L'utilisation de sel régénérant empêche la formation de CALCAIRE sur la vaisselle et sur les composantes fonctionnelles de l'appareil.

- Le **RÉSERVOIR DE SEL NE DOIT JAMAIS ÊTRE VIDE.**
- Il est important de régler la dureté de l'eau.

Le réservoir de sel est situé dans la partie inférieure du lave-vaisselle (voir **DESCRIPTION DU PRODUIT**) et il doit être rempli quand le **voyant NIVEAU DE SEL** est allumé sur le panneau de commande.



1. Enlevez le panier inférieur et dévissez le bouchon du réservoir (sens antihoraire).
2. **La première fois uniquement, vous devez effectuer l'opération suivante : Remplissez d'eau le réservoir à sel.**
3. Placez l'entonnoir (voir figure) et remplissez le réservoir de sel jusqu'au bord (environ 1 kg); il est normal qu'un peu d'eau déborde.
4. Enlevez l'entonnoir et essuyez les résidus de sel autour de l'ouverture.

Assurez-vous que le bouchon est bien serré pour éviter que du détergent pénètre dans le réservoir durant le cycle de lavage (le réservoir pourrait s'endommager au point de ne plus être réparable).

Après chaque ajout de sel dans le réservoir, il est obligatoire de lancer immédiatement un cycle de lavage afin d'éviter toute corrosion de la cuve.

RÉGLER LA DURETÉ DE L'EAU

Pour que l'adoucisseur d'eau fonctionne à la perfection, il est important de régler la dureté de l'eau aux conditions existantes dans votre lieu de résidence. Cette information peut être obtenue de votre fournisseur d'eau local.

L'usine règle la valeur par défaut de la dureté de l'eau.

- Allumer l'appareil en appuyant sur la touche **MARCHE/ARRÊT.**
- Éteindre l'appareil en appuyant sur la touche **MARCHE/ARRÊT.**
- Appuyer la touche **DÉMARRER/PAUSE** pendant 5 secondes.
- Allumer l'appareil en appuyant sur la touche **MARCHE/ARRÊT.**
- Le voyant **MARCHE/ARRÊT** clignotera autant de fois que le niveau qui a été réglé.
- Régler le niveau de dureté de l'eau souhaité en utilisant le **bouton de SÉLECTION DE PROGRAMME** (voir le **TABLEAU DE LA DURETÉ DE L'EAU**).

Tableau de dureté de l'eau					
Niveau		°dH Degrés allemand	°fH Degrés français	°Clark Degrés anglais	
1	ECO Très douce	0 - 6	0 - 10	0 - 7	
2	Moyenne	7 - 11	11 - 20	8 - 14	
3	Douce	12 - 16	21 - 29	15 - 20	
4	Dure	17 - 34	30 - 60	21 - 42	
5	Très dure	35 - 50	61 - 90	43 - 62	

- Éteindre l'appareil en appuyant sur la touche **MARCHE/ARRÊT.** Le réglage est terminé!

Une fois cette opération complétée, lancez un programme sans charger le lave-vaisselle.

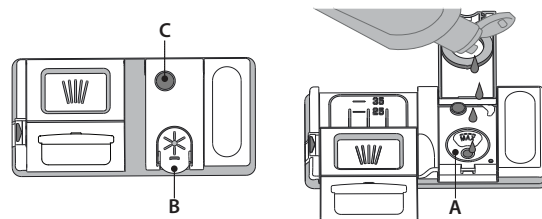
Utilisez seulement le sel spécialement conçu pour les lave-vaisselle.

Lorsque le sel est versé dans l'appareil, le voyant AJOUTER DU SEL s'éteint. **Si le contenant de sel n'est pas rempli, l'adoucisseur et l'élément chauffant peuvent être endommagés à cause de l'accumulation de calcaire.**

L'utilisation de sel est recommandée avec n'importe quel type de lessive pour lave-vaisselle.

REMPILIR LE DISTRIBUTEUR DE LIQUIDE DE RINÇAGE

Le liquide de rinçage permet à la vaisselle de SÉCHER plus facilement. Le distributeur de liquide de rinçage **A** devrait être rempli lorsque le témoin optique sombre sur la porte du distributeur **C** devient transparent.



1. Ouvrez le distributeur **B** en appuyant et en tirant sur l'onglet sur le couvercle.
2. Versez doucement du liquide de rinçage jusqu'à la marque de référence (110 ml) du réservoir de remplissage - évitez les débordements. Si cela se produit, nettoyez les dégâts immédiatement avec un linge sec.
3. Appuyez sur le bouchon pour le fermer; un clic se fait entendre.

Ne JAMAIS verser le liquide de rinçage directement dans la cuve.

AJUSTER LE DOSAGE DU LIQUIDE DE RINÇAGE

Si vous n'êtes pas complètement satisfait avec le séchage, vous pouvez ajuster la quantité de liquide de rinçage utilisée.

- Allumer le lave-vaisselle en utilisant la touche **MARCHE/ARRÊT.**
- Éteignez-le en utilisant la touche **MARCHE/ARRÊT.**
- Appuyez sur la touche **DÉMARRER/PAUSE** à trois reprises.
- Allumez-le en utilisant la touche **MARCHE/ARRÊT.**
- Le voyant **DÉMARRER/PAUSE** clignotera autant de fois que le niveau qui a été réglé.
- Réglez le niveau de quantité de liquide de rinçage à fournir en utilisant le **bouton de SÉLECTION DE PROGRAMME** (voir le **TABLEAU DES PROGRAMMES**).
- Éteignez-le en utilisant la touche **MARCHE/ARRÊT**

Le réglage est terminé!

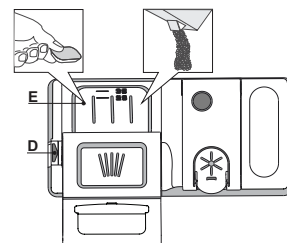
Si le niveau de liquide de rinçage est à 1 (ÉCO), il n'y aura pas de liquide de rinçage distribué.

Un maximum de 5 niveaux peuvent être réglés selon le modèle du lave-vaisselle. Les réglages d'usine sont spécifiques au modèle, merci de suivre les instructions ci-dessus pour vérifier ceux qui s'appliquent à votre machine.

- Si vous observez des traces bleuâtres sur la vaisselle, placez sur un niveau plus bas (2-3).
- Si vous observez des gouttelettes d'eau ou des traces de calcaire sur la vaisselle, placez sur un niveau plus haut (4-5).

REMPILIR LE DISTRIBUTEUR DE DÉTERGENT

Pour ouvrir le distributeur de détergent, utilisez le dispositif d'ouverture D. Insérez le détergent dans le distributeur sec E seulement. Placez la quantité de détergent pour le pré-lavage directement dans la cuve.



1. Lorsque vous dosez le détergent, consultez les informations mentionnées précédemment pour ajuster la quantité correcte. À l'intérieur du distributeur **E** se trouvent des indications pour aider au dosage de la lessive.
2. Enlevez les résidus de détergent sur le bord des récipients avant de fermer le couvercle; un clic se fait entendre.
3. Fermez le couvercle du distributeur de détergent en le tirant vers le haut jusqu'à ce que le dispositif soit fermement en place.

Le distributeur de détergent s'ouvre automatiquement, au moment déterminé par le programme.

L'utilisation d'un détergent non-conçu pour les lave-vaisselles peut provoquer un dysfonctionnement ou des dommages à l'appareil.

TABLEAU DES PROGRAMMES

Programme	Séchage	Options disponibles ^{*)}	Durée du programme de lavage (h:min) ^{**)}	Consommation d'eau (l/cycle)	Consommation d'énergie (kWh/cycle)
1. Éco ECO 50°	✓		4:45	12,0	0,85
2. Intensif 65°	✓		2:30	15,0	1,50
3. Mixte 55°	✓		2:00	15,0	1,35
4. Fast&Clean 28' 45°	-		0:28	9,0	0,50
5. Prélavage -	-		0:10	4,5	0,01
6. Push&GO PUSH & GO 50°	✓		1:25	11,5	1,10

Les données du programme Éco sont mesurées sous des conditions en laboratoire conformément à la norme européenne EN 60436:2020.

Note pour les laboratoires d'essai:

pour toutes informations sur les conditions d'essai comparatif EN, s'adresser à: dw_test_support@europeanappliances.com.

Aucun prétraitement de la vaisselle n'est nécessaire avant l'un quelconque des programmes.

*) Les options ne peuvent pas toutes être utilisées en même temps.

**) Les valeurs indiquées pour des programmes différents du programme Éco sont fournis à titre indicatif uniquement. Le temps réel peut varier selon des facteurs comme la température et la pression de l'eau, la température de la pièce, la quantité de détergent, la quantité et le type de vaisselle, l'équilibre de la charge, les options supplémentaires sélectionnées, et la calibration du capteur. La calibration du capteur peut augmenter la durée du programme jusqu'à 20 minutes.

DESCRIPTION DES PROGRAMMES

Consignes pour la sélection du cycle de lavage.

1 ÉCO

Le programme Eco est adapté pour nettoyer la vaisselle normalement sale, et pour cette utilisation, c'est le programme le plus efficace en termes d'énergie combinée et de consommation d'eau, et il est utilisé pour évaluer la conformité à la législation européenne en matière d'éco-conception.

2 INTENSIF

Programme conseillé pour une vaisselle très sale, particulièrement adapté pour les poêles et les casseroles (ne pas utiliser avec la vaisselle délicate).

3 MIXTE

Saleté mixte. Pour la vaisselle normalement sale avec des résidus de nourriture secs.

4 FAST&CLEAN 28'

Programme à utiliser pour la demi-charge de vaisselle légèrement sale sans résidus alimentaires séchés. N'a pas de phase de séchage.

5 PRÉLAVAGE

Utilisez ce programme pour rafraîchir la vaisselle qui sera lavée plus tard. N'utilisez pas de détergent avec ce programme.

6 PUSH&GO

Lavage et cycle de séchage quotidiens qui assurent de bonnes performances de nettoyage pendant un court moment sans nécessité de pré-traiter la vaisselle.

Remarques :

Il convient de noter que le cycle Fast&Clean 28' est destiné uniquement à la vaisselle légèrement sale.

OPTIONS ET FONCTIONS

Les OPTIONS peuvent être sélectionnées directement en appuyant sur la touche correspondante (voir PANNEAU DE COMMANDE).

Si une option n'est pas compatible avec le programme sélectionné (voir TABLEAU DES PROGRAMMES), le voyant correspondant clignote 3 fois. La fonction n'est pas activée.

PUSH&GO

Le bouton Push&Go est un bouton facile à distinguer qui vous permet d'accéder directement au programme Push&Go, un cycle de lavage et séchage qui assure de bonnes performances de nettoyage sur un court délai. Vous n'avez pas à vous préoccuper du programme à choisir, le cycle Push&Go fera le travail pour vous. Pour sélectionner le programme Push&Go, allumer l'appareil, appuyer **uniquement** sur le bouton **Push&Go** pendant 3 secondes.

DRAINER

Pour arrêter ou annuler le cycle en cours, vous pouvez utiliser la fonction Drainer.

Si vous appuyez un long moment sur la touche DÉMARRER/PAUSE, la fonction DRAINER s'active. Le programme en cours s'arrête et l'eau dans le lave-vaisselle est vidangée.

DIFFÉRÉ

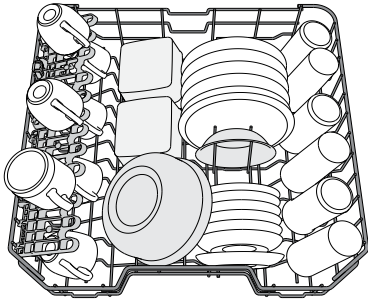
Vous pouvez retarder le début du programme de **2, 4, ou 8** heures:

1. Après avoir sélectionné le programme et les options désirés, appuyez sur la touche DIFFÉRÉ. Le voyant s'allume.
2. Sélectionnez le délai désiré en appuyant sur la touche DIFFÉRÉ à plusieurs reprises. Les voyants 2 heures, 4 heures, et 8 heures s'allument un à la suite de l'autre. Si vous appuyez sur la touche DIFFÉRÉ de nouveau, l'option est annulée et le voyant s'éteint.
3. Après avoir sélectionné le processus, le compte à rebours débute lorsque vous appuyez sur la touche DÉMARRER/PAUSE. Le voyant pour le délai sélectionné est allumé et la touche DÉMARRER/PAUSE s'allume (lumière continue).
4. Une fois le temps écoulé, le voyant DIFFÉRÉ s'éteint et le programme démarre.

La fonction DIFFÉRÉ ne peut pas régler une fois le programme en cours.

CHARGEMENT DES PANIERS

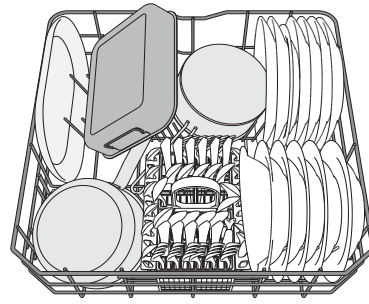
PANIER SUPÉRIEUR



(exemple de chargement du panier supérieur)

Chargez la vaisselle délicate et légère: verres, tasses, soucoupes, saladiers verres, tasses, petits saladiers.

PANIER INFÉRIEUR



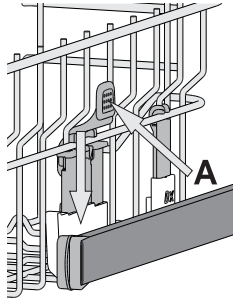
(exemple de chargement du panier inférieur)

Pour les poêles, les couvercles, les plats, les saladiers, les couverts, etc. Les grands plats et les grands couvercles devraient être placés sur le côté pour éviter qu'ils n'entravent le fonctionnement des bras d'aspersion.

AJUSTER LA HAUTEUR DU PANIER SUPÉRIEUR

Vous pouvez ajuster la hauteur du panier supérieur : position élevée pour placer la vaisselle encombrante sur le panier inférieur et éviter les chocs avec le panier supérieur ; en créant plus d'espace en hauteur.

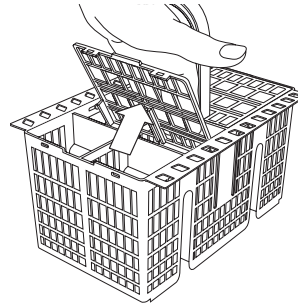
Le panier supérieur comprend un **dispositif de réglage de la hauteur** (voir figure). Sans appuyer sur les leviers, soulevez simplement le panier supérieur en le tenant par les côtés jusqu'à ce qu'il soit stable en position élevée. Pour abaisser le panier, appuyez sur les leviers **A** sur les côtés du panier et déplacez-le vers le bas.



Nous vous conseillons fortement de ne pas ajuster la hauteur du panier lorsqu'il est chargé.

Ne JAMAIS soulever ou abaisser un seul côté du panier.

PANIER À COUVERT



Le panier comprend des grilles supérieures pour placer les couverts plus facilement. Le panier à couvert doit uniquement être placé à l'avant du panier inférieur.

Les couteaux et autres ustensiles avec des bords tranchants doivent être placés dans le panier à couvert avec la pointe vers le bas, ou placés à l'horizontale dans le compartiment rabattable sur le panier supérieur.

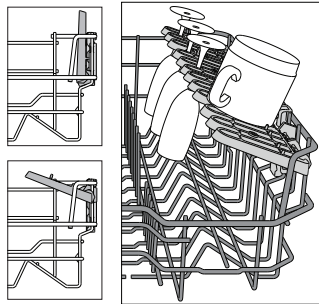
VOLETS PLIABLES À POSITION RÉGLABLE

Les volets pliables latéraux peuvent être pliés ou dépliés afin d'optimiser la disposition de la vaisselle à l'intérieur du panier.

Les verres de vin peuvent être placés de façon sécuritaire dans les volets pliables en insérant le pied de chaque verre dans la fente correspondante.

Selon le modèle :

- pour déplier les volets, il est nécessaire de les coulisser vers le haut et de les tourner ou de les libérer des fixations et de les tirer vers le bas.
- pour replier les volets, il est nécessaire de les tourner et de les faire coulisser vers le bas ou de les tirer vers le haut et de les accrocher aux fixations.



UTILISATION QUOTIDIENNE

1. VÉRIFIER LE BRANCHEMENT DE L'EAU

Assurez-vous que l'appareil est raccordé à un réseau d'alimentation et que le robinet de l'eau est ouvert.

2. ALLUMER LE LAVE-VAISSELLE

Appuyez sur la touche **MARCHE/ARRÊT**.

3. CHARGER LES PANIERS (voir CHARGEMENT DES PANIERS).

4. REMPLIR LE DISTRIBUTEUR DE DÉTERGENT

5. CHOISIR LE PROGRAMME ET PERSONNALISER LE CYCLE

Sélectionner le programme le plus approprié conformément au type de vaisselle et à son niveau de saleté (voir *DESCRIPTION DES PROGRAMMES*) en tournant le **bouton de SÉLECTION DE PROGRAMME** dans le sens des aiguilles d'une montre. Sélectionnez les options désirées (voir *OPTIONS ET FONCTIONS*).

6. DÉMARRER

Démarrer le cycle de lavage et appuyer sur le bouton **DÉMARRER/PAUSE**.

7. FIN DU CYCLE DE LAVAGE

La fin du cycle de lavage est indiquée le témoin **MARCHE/ARRÊT** allumé. Éteignez l'appareil en appuyant sur la touche **MARCHE/ARRÊT** et ouvrez la porte.

Pour éviter de vous brûler, attendez quelques minutes avant de retirer la vaisselle. Déchargez les paniers en commençant par le panier inférieur.

L'appareil s'éteint automatiquement durant des périodes d'inactivité prolongées pour réduire la consommation d'énergie.

Si la vaisselle est légèrement sale ou si elle a été rincée avec à l'eau avant d'être placée dans le lave-vaisselle, réduisez la quantité de détergent utilisée en conséquence.

MODIFIER UN PROGRAMME EN COURS

Si vous avez sélectionné le mauvais programme, vous pouvez le changer si c'est fait au début du cycle : appuyez sur la touche **MARCHE/ARRÊT** pour éteindre l'appareil.

Rallumez l'appareil en appuyant sur la touche **MARCHE/ARRÊT** et sélectionnez le nouveau cycle de lavage et les options désirées; démarrez le cycle en appuyez sur la touche **DÉMARRER/PAUSE**.

AJOUTER DE LA VAISSELLE

Sans éteindre l'appareil, ouvrez la porte. **Attention: vapeur CHAUDE!** et placez la vaisselle à l'intérieur du lave-vaisselle.

Fermez la porte et appuyez sur la touche **DÉMARRER/PAUSE**, le cycle démarre au point où il a été interrompu.

INTERRUPTIONS IMPRÉVUES

Si la porte est ouverte durant le cycle de lavage, ou s'il y a une panne de courant, le cycle s'interrompt. Une fois la porte fermée ou le courant électrique restauré, pour redémarrer le cycle à partir du point où il a été interrompu, appuyez sur la touche **DÉMARRER/PAUSE**.

AVIS ET CONSEILS

CONSEILS

Avant de charger les paniers, enlevez tous les résidus de nourriture sur la vaisselle et videz les verres. **Vous n'avez pas besoin de rincer la vaisselle avant de la placer dans le lave-vaisselle.**

Placez la vaisselle pour qu'elle tienne bien en place et ne risque pas de tomber; et placez les récipients avec les ouvertures vers le bas et les parties concaves/convexes de côté pour permettre à l'eau d'atteindre toutes les surfaces et couler librement.

Avertissement: Vérifiez que les couvercles, poignées et poêle à frire n'empêchent pas les bras d'aspersion de tourner librement. Placez les petits articles dans le panier à couvert. La vaisselle et les casseroles très sales devraient être placées sur le panier inférieur car les jets d'eau sont plus forts dans cette section et permet un meilleur rendement lors du lavage. Après avoir chargé l'appareil, assurez-vous que les bras d'aspersion peuvent bouger librement.

VAISSELLE QUI NE CONVIENT PAS

- Vaisselle et couverts en bois.
- Verres décoratifs délicats, produits artisanaux, et vaisselle antique. Les garnitures ne sont pas résistantes.
- Les pièces en matériel synthétique qui ne supportent pas les hautes températures.
- La vaisselle en cuivre ou en étain.
- La vaisselle tachée de cendre, de cire, de graisse lubrifiante, ou d'encre.

Les couleurs des garnitures de verre et des pièces d'aluminium/argent peuvent changer et ternir durant le cycle de lavage. Certains types de verre (p. ex. les objets en cristal) peuvent aussi devenir opaque après plusieurs cycles de lavage.

VERRES ET VAISSELLE ENDOMMAGÉS

- Seulement utiliser des verres ou de la porcelaine qui sont lavables au lave-vaisselle conformément aux recommandations du fabricant.
- Utilisez un détergent doux, adéquat pour la vaisselle.
- Retirez les verres et les couverts du lave-vaisselle aussitôt que le cycle de lavage est terminé

ASTUCES SUR L'ÉCONOMIE D'ÉNERGIE

- Lorsque le lave-vaisselle domestique est utilisé conformément aux instructions du fabricant, **le lavage de la vaisselle dans un lave-vaisselle consomme habituellement MOINS D'ÉNERGIE et d'eau que le lavage à la main.**
- Afin d'optimiser l'efficacité du lave-vaisselle, il est recommandé de **débuter le cycle de lavage une fois que le lave-vaisselle est totalement chargé.** Le chargement du lave-vaisselle domestique jusqu'à la capacité indiquée par le fabricant contribuera à économiser de l'énergie et de l'eau. Vous trouverez des informations sur le chargement correct de la vaisselle dans le chapitre CHARGEMENT DES PANIERS. En cas de chargement partiel, il est recommandé d'utiliser des options de lavage spécifiques si elles sont disponibles (Demi-charge / Zone Wash/ Multizone), en remplissant uniquement les paniers sélectionnés. Un chargement incorrect ou une surcharge du lave-vaisselle peut augmenter l'utilisation des ressources (telles que l'eau, l'énergie et le temps, et augmenter le niveau de bruit), en réduisant les performances de nettoyage et de séchage.
- Un prérinçage manuel des éléments de vaisselle provoque une augmentation de la consommation d'eau et d'énergie et n'est pas recommandé.

HYGIÈNE

Pour éviter les odeurs et les dépôts qui pourraient s'accumuler dans le lave-vaisselle, **lancer un programme à haute température au moins une fois par mois.** Utilisez une cuillère à café de détergent et lancer le programme sans vaisselle pour nettoyer l'appareil.

NETTOYAGE ET ENTRETIEN

NETTOYER L'ENSEMBLE FILTRE

Nettoyez régulièrement l'ensemble filtre pour éviter qu'il ne se bouche et pour permettre aux eaux usées de bien s'éliminer.

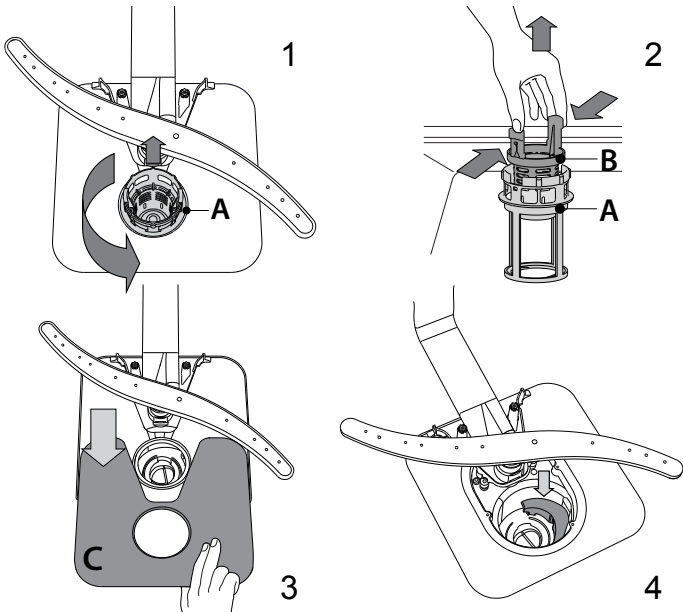
L'utilisation du lave-vaisselle avec des filtres obstrués ou des corps étrangers à l'intérieur du système de filtration ou des bras de lavage peut provoquer un dysfonctionnement du lave-vaisselle en réduisant l'efficacité de lavage, en augmentant le bruit de fonctionnement et la consommation d'électricité.

L'ensemble filtre comprend trois filtres qui séparent les résidus de nourriture de l'eau de lavage pour ensuite faire circuler l'eau.

N'utilisez pas le lave-vaisselle sans les filtres ou si un filtre est mal ajusté.

Au moins une fois par mois ou tous les 30 cycles, vérifiez l'assemblage du filtre et si nécessaire, nettoyez-le minutieusement sous l'eau courante, en utilisant une brosse non-métallique et en suivant les instructions ci-dessous :

1. Tournez le filtre cylindrique **A** dans le sens antihoraire et retirez-le (Fig. 1).
2. Enlevez le panier du filtre **B** en appliquant une légère pression sur les volets latéraux (Fig. 2).
3. Retirez la plaque du filtre en acier inoxydable **C** (Fig. 3).
4. Si vous trouvez des objets étrangers (comme du verre brisé, de la porcelaine, des os, des pépins de fruits, etc), enlevez-les minutieusement.
5. Inspecter la cavité et enlever les résidus de nourriture. **NE JAMAIS ENLEVER** la protection de la pompe du cycle de lavage (détails en couleur noir) (Fig 4).



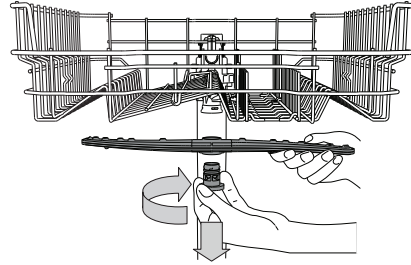
Après avoir nettoyé les filtres, assemblez de nouveau l'ensemble filtre et remettez-le en place correctement; c'est très important pour que le lave-vaisselle garde son efficacité.

NETTOYER LE TUYAU D'ARRIVÉE D'EAU

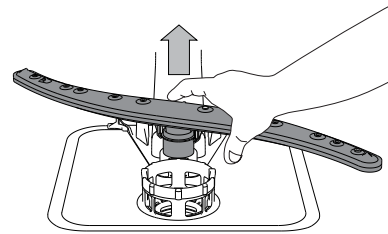
Si les tuyaux d'eau sont neufs ou s'ils n'ont pas été utilisés depuis longtemps, laissez l'eau couler pour vous assurer qu'il n'y a pas d'impureté ou de saleté avant de les brancher. Si vous n'effectuez pas cette opération, l'arrivée d'eau pourrait se boucher et endommager le lave-vaisselle.

NETTOYER LES BRAS D'ASPERSION

À l'occasion, des résidus de nourriture s'incrument dans les bras d'aspersion et bloquent les trous utilisés pour asperger de l'eau. Il est donc conseillé de vérifier les bras de temps en temps et de les nettoyer avec une petite brosse non métallique.



Pour enlever le gicleur supérieur, tournez l'anneau de verrouillage en plastique dans le sens horaire. Le bras d'aspersion supérieur doit être remplacé de façon que le côté avec le plus grand nombre de trous est placé vers le haut.



Le bras d'aspersion inférieur peut être enlevé en le tirant vers le haut.

SYSTÈME ADOUCISSEUR D'EAU

L'adoucisseur d'eau réduit automatiquement la dureté de l'eau, en empêchant ainsi la formation de calcaire sur la résistance, et en contribuant également à une meilleure performance de nettoyage.

Ce système se régénère avec du sel, il est donc nécessaire de remplir le bac de sel lorsqu'il est vide.


La fréquence de régénération dépend du réglage du niveau de dureté de l'eau - la régénération a lieu une fois tous les 5 cycles Eco avec un niveau de dureté de l'eau réglé à 3.

Le processus de régénération a lieu en fin de cycle pendant que le lave-vaisselle est à l'arrêt. Au début de cycle suivant, le rinçage des résines permet d'évacuer tout le calcaire précipité et le saumur résiduel.

- Une régénération simple consomme : ~3,5 L d'eau ;
- Prend jusqu'à 5 minutes supplémentaires pour le cycle ;
- Consomme moins de 0,005 kWh d'énergie.

DÉPANNAGE

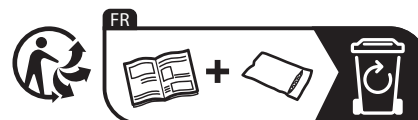
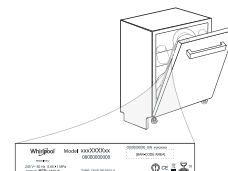
Si votre lave-vaisselle ne fonctionne pas correctement, vérifiez si le problème peut être résolu en suivant la liste ci-après. Pour d'autres erreurs ou problèmes, contactez le Service après-vente agréé dont les coordonnées peuvent être trouvées dans le livret de garantie. Les pièces de rechange seront disponibles pour une période allant jusqu'à 7 ou jusqu'à 10 ans, selon les exigences spécifiques du règlement.

PROBLÈMES	CAUSES POSSIBLES	SOLUTIONS
 L'indicateur de sel est allumé	Le réservoir de sel est vide. (Après le remplissage, il est possible que le voyant du niveau de sel régénérant ne s'éteigne qu'au bout de plusieurs cycles de lavage).	Remplissez le réservoir de sel régénérant (pour plus d'informations, reportez-vous à la page 2). Réglez la dureté de l'eau - reportez-vous au tableau de la page 2.
Le lave-vaisselle ou les commandes ne fonctionnent pas.	L'appareil n'est pas bien branché.	Insérez la fiche dans la prise de courant.
	Panne de courant.	Pour des raisons de sécurité, le lave-vaisselle ne redémarrera pas automatiquement lors du retour de l'alimentation électrique. Appuyez sur le bouton DÉMARRER/PAUSE pour reprendre le cycle.
	La porte du lave-vaisselle n'est pas fermée.	Poussez vigoureusement la porte pour entendre le « clic ».
	Le cycle est interrompu par une ouverture de la porte supérieure à 4 secondes.	Fermez la porte et appuyez sur la touche DÉMARRER/PAUSE.
Le lave-vaisselle ne se vidange pas.	Les commandes ne fonctionnent pas.	Éteindre l'appareil en appuyant sur la touche MARCHÉ/ARRÊT, rallumez-le environ une minute après, et relancez le programme. Si le problème persiste, débranchez l'appareil pendant 1 minute, puis rebranchez-le.
	Le cycle de lavage n'est pas encore terminé.	Attendre que le cycle se termine.
	Le tuyau de vidange est plié.	Assurez-vous que le tuyau de vidange n'est pas plié (voir CONSIGNES D'INSTALLATION).
	Le conduit de vidange de l'évier est bouché.	Nettoyez le conduit de vidange de l'évier.
Le lave-vaisselle fait beaucoup de bruit.	Le filtre est bouché par des résidus de nourriture.	Nettoyez le filtre (voir NETTOYAGE DE L'ENSEMBLE FILTRE).
	La vaisselle s'entrechoque. Il y a une trop grande quantité de mousse.	Remplacez la vaisselle (voir CHARGEMENT DES PANIERS). Le détergent a été mal mesuré ou il n'est pas adéquat pour les lave-vaisselles (voir REMPLIR LE DISTRIBUTEUR DE DÉTERGENT). Relancez le lave-vaisselle en appuyant sur la touche DRAINER (voir OPTIONS ET FONCTIONS) et lancez un nouveau programme sans détergent.
La vaisselle n'est pas propre.	La vaisselle n'est pas bien placée.	Remplacez la vaisselle (voir CHARGEMENT DES PANIERS).
	Les bras d'aspersion ne bougent pas librement, ils sont gênés par la vaisselle.	Remplacez la vaisselle (voir CHARGEMENT DES PANIERS).
	Le cycle de lavage est trop délicat.	Sélectionnez le cycle de lavage approprié (voir TABLEAU DES PROGRAMMES).
	Il y a une trop grande quantité de mousse.	Le détergent a été mal mesuré ou il n'est pas adéquat pour les lave-vaisselles (voir REMPLIR LE DISTRIBUTEUR DE DÉTERGENT).
	Le bouchon du compartiment de liquide de rinçage n'est pas bien fermé.	Assurez-vous que le bouchon du distributeur de liquide de rinçage est fermé.
	Le filtre est sale ou bouché.	Nettoyez l'ensemble de filtre (voir NETTOYAGE ET ENTRETIEN).
L'eau n'arrive pas au lave-vaisselle. Tous les voyants clignotent rapidement	Il n'y a pas de sel.	Remplir le réservoir de sel (voir REMPLIR LE RÉSERVOIR DE SEL).
	L'alimentation d'eau est vide ou le robinet est fermé.	Assurez-vous qu'il y a de l'eau dans le circuit d'alimentation ou que le robinet est ouvert.
	Le tuyau d'arrivée est plié.	Assurez-vous que le tuyau d'entrée n'est pas plié (voir INSTALLATION) reprogrammez le lave-vaisselle et relancez-le.
Le lave-vaisselle termine le cycle prématurément	Le tamis dans le tuyau d'arrivée d'eau est obstrué; il est nécessaire de le nettoyer.	Après avoir complété la vérification et le nettoyage, éteignez et rallumez le lave-vaisselle et redémarrez le programme.
	Le tuyau de vidange est positionné trop bas ou se vide dans le système d'évacuation domestique.	Vérifiez si l'extrémité du tuyau de vidange est placée à la hauteur correcte (voir INSTALLATION). Vérifiez la vidange dans le système d'évacuation domestique, installez une vanne d'admission d'air si nécessaire.
La fuite de détergent.	De l'air est présent dans l'alimentation en eau.	Vérifiez si l'alimentation en eau présente des fuites ou d'autres problèmes laissant entrer de l'air.
	Dépend du détergent liquide utilisé et peut être accentuée en cas d'activation de l'option de retardement.	Les petites fuites n'entraînent pas de dysfonctionnement de la machine et peuvent être évitées en changeant de type de détergent liquide ou en utilisant des tablettes.

Vous trouverez les documents normatifs, la documentation standard, le classement des pièces de rechange et des informations supplémentaires sur les produits:

- En utilisant le QR code sur votre produit.
- En visitant notre site web docs.indesit.eu et parts-selfservice.europeanappliances.com
- Vous pouvez également **contacter notre Service après-vente** (voir numéro de téléphone dans le livret de garantie). Lorsque vous contactez notre Service après-vente, veuillez indiquer les codes figurant sur la plaque signalétique de l'appareil.

Les informations relatives au modèle peuvent être trouvées en utilisant le QR-Code figurant sur l'étiquette énergétique. L'étiquette comprend également l'identifiant du modèle qui peut être utilisé pour consulter le portail du registre sur le site <https://eprel.ec.europa.eu>.



GUIDA RAPIDA

ISTRUZIONI D'USO



GRAZIE PER AVER ACQUISTATO UN PRODOTTO INDESIT.

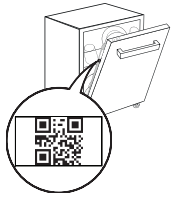
Per ricevere assistenza in modo più completo, registrare il proprio apparecchio sul sito: www.indesit.com/register



Prima di utilizzare l'apparecchio, legga attentamente le Istruzioni di sicurezza e di installazione.

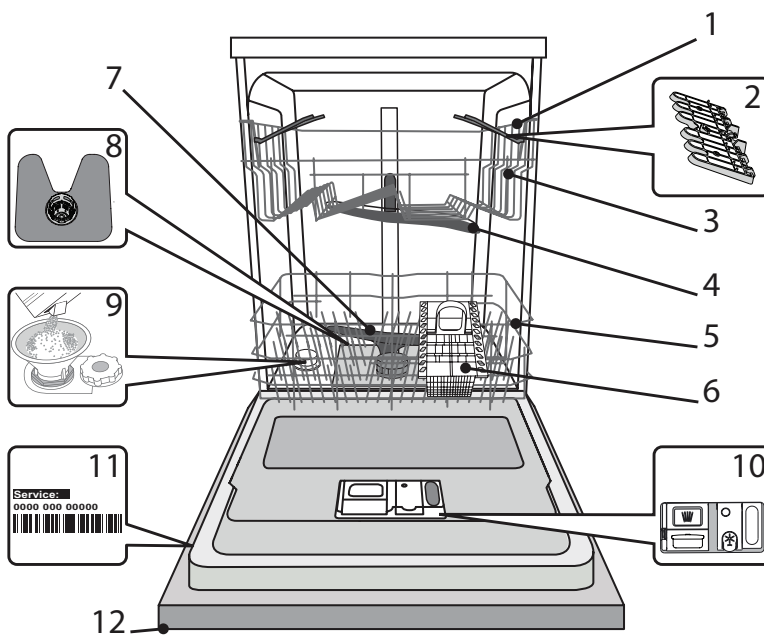
Dopo l'installazione, ricordarsi di rimuovere tutte le parti di protezione per il trasporto dalla lavastoviglie.

SCANSIONARE
IL CODICE QR
SULL'APPARECCHIO
PER VISUALIZZARE
INFORMAZIONI PIÙ
DETTAGLIATE



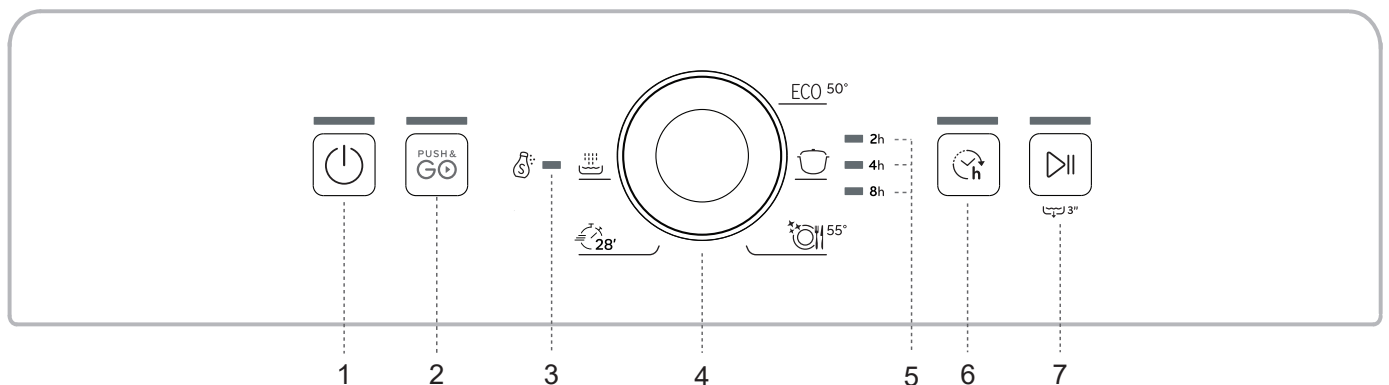
DESCRIZIONE PRODOTTO

APPARECCHIO



1. Cestello superiore
2. Sponde ribaltabili
3. Regolatore altezza cestello superiore
4. Braccio aspersore superiore
5. Cestello inferiore
6. Cestello portaposate
7. Braccio aspersore inferiore
8. Gruppo filtro
9. Distributore del sale
10. Distributori per detersivo e brillantante
11. Targhetta matricola
12. Pannello comandi

PANNELLO COMANDI



1. Tasto Accensione-Spegnimento/Ripristino e relativa spia
2. Tasto Push&GO e relativa spia
3. Indicatore di riempimento del sale
4. Manopola di selezione programmi
5. Spia di avvio ritardato
6. Tasto di avvio ritardato e relativa spia
7. Tasto Avvio/Pausa e relativa spia / Scarico.

PRIMO UTILIZZO

SALE, BRILLANTANTE E DETERSIVO

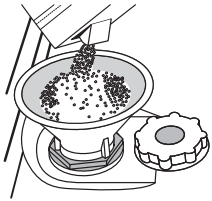
SUGGERIMENTO PER IL PRIMO UTILIZZO

Dopo aver completato l'installazione, togliere i fermi dai cestelli e gli elementi elastici di ritegno dal cestello superiore.

RIFORMIMENTO DEL SERBATOIO DEL SALE

L'uso di sale previene la formazione di CALCARE sulla superficie dei piatti e sui componenti della macchina.

- È indispensabile che **IL SERBATOIO DEL SALE SIA SEMPRE RIFORMITO**.
- È essenziale quindi che il livello di durezza dell'acqua sia stato impostato. Il serbatoio del sale è situato nella parte inferiore della lavastoviglie (vedere DESCRIZIONE PRODOTTO) e deve obbligatoriamente essere rifornito ogni volta che la spia dell' **indicatore di RIEMPIMENTO SALE** (posta sul pannello comandi) è illuminata.



1. Togliere il cestello inferiore e svitare il tappo del serbatoio (ruotare in senso antiorario).
2. **Solo la prima volta: riempire d'acqua il serbatoio del sale.**
3. Sistemare opportunamente l'imbuto (vedere figura) e rifornire il serbatoio del sale fino all'orlo (circa 1 kg); Non è inconsueto che l'acqua trabocchi leggermente.

4. Togliere l'imbuto ed eliminare qualsiasi residuo di sale dall'areacir-costante l'apertura.

Accertarsi che il tappo sia adeguatamente serrato per evitare l'ingresso di detersivo all'interno della vaschetta durante il programma di lavaggio (ciò potrebbe causare il danneggiamento del dispositivo addolcente senza possibilità di riparazione). **Ogni volta che è necessario aggiungere sale, è obbligatorio eseguire la procedura prima dell'inizio del ciclo di lavaggio per evitare rischi di corrosione.**

IMPOSTAZIONE DELLA DUREZZA DELL'ACQUA

Per consentire che il dispositivo addolcente dell'acqua agisca al meglio, è essenziale che l'impostazione del livello di durezza dell'acqua tenga conto della sua durezza effettiva nell'utenza domestica. È possibile ottenere il valore di durezza dell'acqua nell'utenza domestica rivolgendosi al proprio fornitore.

Il valore predefinito per la durezza dell'acqua viene impostato in fabbrica.

- Azionare l'apparecchio agendo sul tasto **ACCENSIONE/SPEGNIMENTO**.
- Disattivare l'apparecchio agendo sullo stesso tasto **ACCENSIONE/SPEGNIMENTO**.
- Tenere premuto il tasto **AVVIO/PAUSA** per 5 secondi.
- Azionare l'apparecchio agendo sul tasto **ACCENSIONE/SPEGNIMENTO**.
- Il livello impostato è indicato dal numero di lampeggi del LED **ACCENSIONE/SPEGNIMENTO**.
- Impostare il livello di durezza dell'acqua desiderato usando la **manopola di SELEZIONE PROGRAMMI** (vedere la **TABELLA DI DUREZZA DELL'ACQUA**).

Tabella di durezza dell'acqua					
Livello		°dH Gradi tedeschi	°fH Gradi francesi	°Clark Gradi inglesi	
1	ECO Dolce	0 - 6	0 - 10	0 - 7	
2	Moderatamente dolce	7 - 11	11 - 20	8 - 14	
3	Medio	12 - 16	21 - 29	15 - 20	
4	Dura	17 - 34	30 - 60	21 - 42	
5	Molto dura	35 - 50	61 - 90	43 - 62	

- Disattivare l'apparecchio agendo sullo stesso tasto **ACCENSIONE/SPEGNIMENTO**.

La procedura di impostazione è stata completata!

Non appena completata tale procedura, avviare uno dei programmi senza carico.

Utilizzare soltanto sale di tipo specifico per lavastoviglie.

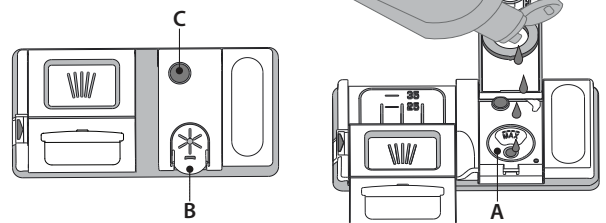
Dopo aver versato il sale all'interno della macchina, la spia riempimento SALE si spegne.

La mancanza di sale nel serbatoio potrebbe danneggiare l'addolcitore d'acqua e la resistenza per effetto dell'accumulo di calcare.

L'uso del sale è consigliato con qualsiasi tipo di detersivo per lavastoviglie.

RIEMPIMENTO DEL DISTRIBUTORE BRILLANTANTE

L'utilizzo di brillantante facilita il processo di ASCIUGATURA delle stoviglie. La vaschetta del brillantante **A** dovrebbe essere riempita quando l'indicatore ottico scuro posto sullo sportellino **C** diventa trasparente.



1. Aprire il distributore **B** esercitando opportuna pressione e quindi sollevando la linguetta posta sul coperchio.
2. Versare delicatamente il brillantante fino al segno che indica il livello di riferimento massimo (110 ml), ma evitandone la fuoriuscita. Nel caso in cui ciò si verifici, asciugare immediatamente il liquido fuoriuscito mediante un panno asciutto.
3. Abbassare il coperchio fino ad avvertire lo scatto che ne segnala la chiusura.

Non versare MAI il brillantante direttamente all'interno della vaschetta.

REGOLAZIONE DEL DOSAGGIO DI BRILLANTANTE

Se non si è completamente soddisfatti del processo di asciugatura, è possibile regolare la quantità di brillantante da utilizzare.

- Azionare la lavastoviglie agendo sul tasto **ACCENSIONE/SPEGNIMENTO**.
- Disattivare la lavastoviglie utilizzando lo stesso tasto **ACCENSIONE/SPEGNIMENTO**.
- Premere tre volte il tasto **AVVIO/PAUSA**.
- Azionare la lavastoviglie mediante il tasto **ACCENSIONE/SPEGNIMENTO**.
- Il livello impostato è indicato dal numero di lampeggi del LED **AVVIO/PAUSA**.
- Impostare la dose di brillantante da erogare usando la **manopola di SELEZIONE PROGRAMMI** (vedere la **TABELLA PROGRAMMI**)
- Disattivare utilizzando il tasto **ACCENSIONE/SPEGNIMENTO**

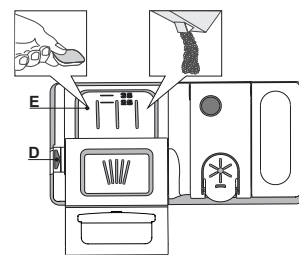
La procedura di impostazione è stata completata!

Nel caso in cui il livello di brillantante sia impostato su 1 (programma ECO), il brillantante non viene erogato. A seconda del modello di lavastoviglie è possibile impostare al massimo 5 livelli di dosaggio. Le impostazioni di fabbrica dipendono dal modello; seguire le istruzioni precedenti in base alle caratteristiche del proprio apparecchio.

- In presenza di strisce con sfumature blu sulla superficie dei piatti, impostare un livello di dosaggio basso (2-3).
- In presenza di gocce d'acqua o di calcare sulla superficie dei piatti impostare invece dosaggi alti (4-5).

RIEMPIMENTO DEL DISTRIBUTORE DETERSIVO

Per aprire il distributore detersivo utilizzare il dispositivo di apertura D. Versare il detersivo esclusivamente nel distributore E asciutto. Mettere la dose di detersivo per il prelavaggio direttamente all'interno del distributore.



1. Per il dosaggio corretto del detersivo fare riferimento ai dati sopra riportati. La vaschetta **E** contiene indicatori di livello per facilitare il dosaggio del detersivo.
2. Eliminare eventuali residui di detersivo dai bordi del distributore e chiudere il coperchio fino ad avvertire lo scatto caratteristico.
3. Chiudere il coperchio del distributore sollevandolo fino a portare il dispositivo di chiusura in sede.

Il distributore del detersivo si apre automaticamente quando previsto dal programma in uso.

L'uso di un detersivo non specifico per lavastoviglie potrebbe causare malfunzionamenti o danni all'apparecchio.

TABELLA DEI PROGRAMMI

Programma	Fase di asciugatura	Opzioni disponibili *)	Durata programma di lavaggio (h:min)**)	Consumo d'acqua (litri/ciclo)	Consumo energetico (kWh/ciclo)
1. Eco ECO 50°	✓		4:45	12,0	0,85
2. Intensivo 	✓		2:30	15,0	1,50
3. Misti 	✓		2:00	15,0	1,35
4. Fast&Clean 28' 	-		0:28	9,0	0,50
5. Prelavaggio 	-		0:10	4,5	0,01
6. Push&GO PUSH&GO 50°	✓		1:25	11,5	1,10

La misurazione dei dati per la creazione del programma ECO avviene in condizioni di laboratorio secondo quanto prescritto dalle norme europee EN 60436:2020.

Nota per i laboratori di Prove: per informazioni sulle condizioni della prova comparativa EN. farne richiesta all'indirizzo: dw_test_support@europeanappliances.com

Questi programmi non richiedono un pre-trattamento delle stoviglie.

*) Non è possibile selezionare tutte le opzioni contemporaneamente.

**) Ad eccezione del programma Eco, i valori riportati per gli altri programmi sono puramente indicativi.

La durata effettiva può dipendere da molti fattori. quali la temperatura e la pressione dell'acqua di alimentazione. la temperatura ambiente. la dose di detersivo utilizzata. la quantità e il tipo di carico e il suo bilanciamento. la selezione di determinate opzioni e la taratura dei sensori. La taratura dei sensori può prolungare la durata dei programmi anche di 20 minuti.

DESCRIZIONE DEI PROGRAMMI

Istruzioni per selezionare il ciclo di lavaggio.

1 ECO

Il programma Eco è indicato per le stoviglie mediamente sporche; è il programma più efficiente in termini di consumo combinato di acqua ed energia per questo tipo di stoviglie e viene usato per valutare la conformità dell'apparecchio alla legislazione UE in materia di progettazione ecocompatibile.

2 INTENSIVO

Programma consigliato per stoviglie molto sporche, particolarmente indicato per padelle e tegami (non adatto per oggetti delicati).

3 MISTI

Carichi misti. Per piatti con sporco normale e residui secchi di cibo.

4 FAST&CLEAN 28'

Programma indicato per un mezzo carico di stoviglie poco sporche e prive di residui secchi. Non è prevista una fase di asciugatura.

5 PRELAVAGGIO

Da utilizzare per sciacquare le stoviglie da lavare successivamente. Questo programma non richiede detersivo.

6 PUSH&GO

Ciclo di lavaggio e asciugatura quotidiano che permette di ottenere ottimi risultati in breve tempo senza bisogno di pre-trattare le stoviglie.

Note:

Il ciclo Fast&Clean 28' è indicato per stoviglie poco sporche.

OPZIONI E FUNZIONI

È possibile selezionare le varie OPZIONI premendo direttamente il tasto corrispondente (*vedi PANNELLO COMANDI*).

In caso di opzione non compatibile con il programma selezionato (*vedere la TABELLA DEI PROGRAMMI*), il LED corrispondente lampeggia 3 volte in rapida successione. L'opzione non è in tal caso abilitata.

PUSH&GO

Questo tasto facilmente distinguibile permette di accedere direttamente al programma Push&GO un ciclo di lavaggio e asciugatura che assicura ottimi risultati in breve tempo. Non occorre scegliere il programma in base al carico: il ciclo Push&GO lo seleziona infatti automaticamente.

Per selezionare il programma Push&GO, accendere l'apparecchio e premere **solo** il pulsante **Push&GO** per 3 secondi.

SCARICO

Per interrompere e annullare il ciclo in funzione è possibile servirsi della funzione di SCARICO.

La pressione prolungata sul tasto AVVIO/PAUSA causa l'attivazione della funzione di SCARICO. Il programma in funzione si interrompe e viene scaricata l'acqua presente nella lavastoviglie.

AVVIO RITARDATO

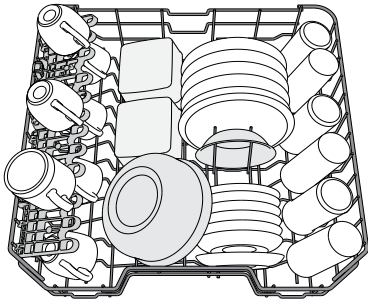
È possibile ritardare il momento previsto per l'avvio del programma di **2, 4** oppure **8** ore:

1. dopo aver selezionato il programma richiesto e qualsiasi opzione necessaria, premere il tasto AVVIO RITARDATO. La spia si illumina.
2. Selezionare il tempo di avvio richiesto premendo ripetutamente sul tasto AVVIO RITARDATO. Le spie corrispondenti rispettivamente a 2, 4 e 8 ore si illuminano in successione. La nuova pressione del tasto AVVIO RITARDATO causa il disinserimento dell'opzione corrispondente: la spia si spegne.
3. A procedura di selezione conclusa la pressione sul tasto AVVIO/PAUSA causa l'inizio del conto alla rovescia. La spia corrispondente al tempo di ritardo selezionato è illuminata e si illumina anche il tasto Avvio/Pausa (luce fissa).
4. Una volta trascorso questo periodo di tempo, la spia AVVIO RITARDATO si spegne e il programma si avvia.

Una volta avviato il programma non è più possibile impostare la funzione AVVIO RITARDATO.

CARICAMENTO DEI CESTELLI

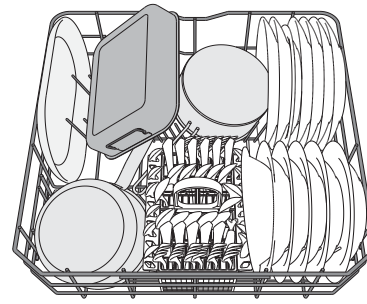
CESTELLO SUPERIORE



(esempio di carico del cestello superiore)

Riporvi i piatti poco resistenti e le stoviglie delicate: vetri, tazze, piattini, insalatiere dai bordi bassi.

CESTELLO INFERIORE



(esempio di carico nel cestello inferiore)

Per pentole, coperchi, piatti, insalatiere, stoviglie, ecc. In teoria conviene disporre piatti e coperchi di grandi dimensioni ai lati, per evitare interferenze con l'elemento aspersore.

REGOLAZIONE IN ALTEZZA DEL CESTELLO SUPERIORE

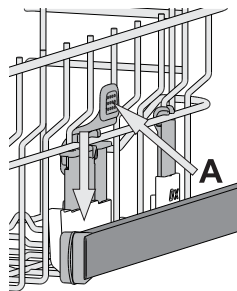
È possibile regolare del cestello superiore nel senso dell'altezza: la posizione rialzata consente di sfruttare al massimo il cestello inferiore per riporvi le stoviglie di dimensioni ingombranti, mentre la posizione ribassata consente di utilizzare le sponde ribaltabili creando lo spazio che esse richiedono e di evitare urti con gli oggetti caricati nel cestello inferiore.

Il cestello superiore è munito di **regolatore in altezza** (vedere figura) che non richiede pressione sulle leve; sollevarlo tenendolo per i lati, non appena si trovi in posizione rialzata.

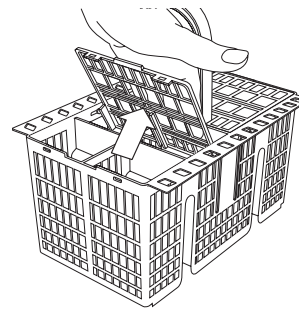
Per ripristinare la posizione ribassata, agire sulle leve **A** poste ai lati del cestello e abbassare il cestello.

Si raccomanda vivamente di non procedere alla regolazione in altezza di cestelli già caricati.

Non rialzare o ribassare MAI il cestello agendo su un lato soltanto.



CESTELLO PORTAPOSATE



Le griglie tuttavia consentono anche di ottimizzare la disposizione delle posate al suo interno. Il cestello portaposate deve essere sistemato soltanto nella parte anteriore del cestello inferiore.

I coltelli e le altre posate con bordi taglienti devono essere riposte nel cestello portaposate con le punte rivolte verso il basso e orizzontalmente nelle sponde ribaltabili del cestello superiore.

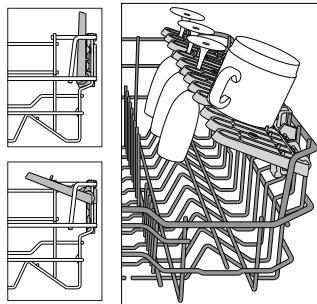
SPONDE RIBALTABILI CON POSIZIONE REGOLABILE

Le sponde ribaltabili laterali possono essere estese o ripiegate per ottimizzare la disposizione delle stoviglie nel cestello.

Si possono disporre i bicchieri da vino nelle sponde ribaltabili in modo assolutamente sicuro, inserendone lo stelo negli appositi spazi.

In base al modello:

- per estendere le sponde occorre farle scorrere verso l'alto e ruotarle oppure sganciarle dai fermi e abbassarle.
- per ripiegare le sponde occorre ruotarle e farle scorrere verso il basso oppure sollevarle e agganciarle ai fermi.



USO QUOTIDIANO

1. VERIFICA DEL COLLEGAMENTO ALLA RETE IDRICA

Verificare il collegamento della lavastoviglie alla rete idrica e che il relativo rubinetto sia aperto.

2. AZIONAMENTO DELLA LAVASTOVIGLIE

Premere il tasto **ACCENSIONE/SPEGNIMENTO**.

3. CARICAMENTO DEI CESTELLI

(vedere **CARICAMENTO DEI CESTELLI**)

4. RIEMPIMENTO DEL DISTRIBUTORE DETERATIVO

5. SELEZIONARE IL PROGRAMMA E ADATTARE IL CICLO SECONDO NECESSITÀ

Selezionare il programma più adatto in base al tipo di stoviglie e al grado di sporco (vedere **DESCRIZIONE DEI PROGRAMMI**) ruotando la **manopola di SELEZIONE PROGRAMMI** in senso orario. Selezionare le opzioni richieste (vedere **OPZIONI E FUNZIONI**).

6. AVVIO

Avviare il ciclo di lavaggio mediante pressione sul tasto **AVVIO/PAUSA**.

7. FINE DEL CICLO DI LAVAGGIO

La fine del ciclo di lavaggio è segnalata dall'accensione del LED **ACCENSIONE/SPEGNIMENTO**. Aprire la porta e spegnere l'apparecchio premendo il tasto **ACCENSIONE/SPEGNIMENTO**.

Per evitare bruciacature, prima di togliere le stoviglie attendere pochi minuti. Scaricare i cestelli, iniziando da quello inferiore.

La macchina si disattiva automaticamente nel corso di determinati periodi di inattività prolungata, al fine di ridurre al minimo il consumo di elettricità.

Se le stoviglie sono soltanto leggermente sporche oppure sono state risciacquate prima di essere poste nella lavastoviglie, ridurre in proporzione la dose di detersivo da utilizzare.

MODIFICA DEI PROGRAMMI DURANTE IL FUNZIONAMENTO

Nel caso in cui sia stato selezionato il programma sbagliato, è possibile apportarvi le modifiche necessarie a condizione che esso sia appena iniziato: tenere premuto il tasto **ACCENSIONE/SPEGNIMENTO**: la macchina si disattiva.

Azionare nuovamente la macchina agendo sul tasto **ACCENSIONE/SPEGNIMENTO** e selezionare il nuovo ciclo di lavaggio con qualsiasi opzione richiesta; avviare il ciclo premendo sul tasto **AVVIO/PAUSA**.

AGGIUNTA DI ULTERIORI STOVIGLIE

Senza spegnere la macchina, aprire la porta (**fare attenzione al vapore CALDO!**) e sistemare le posate all'interno della lavastoviglie. Chiudere la porta e premere il tasto **AVVIO/PAUSA**: il ciclo riprende dal punto in cui si era interrotto.

INTERRUZIONI INVOLONTARIE DEL CICLO

In caso di apertura della porta durante il ciclo di lavaggio, o in caso di mancanza dell'alimentazione elettrica, il ciclo si interrompe. Una volta chiusa la porta o ripristinata l'alimentazione elettrica, per riprendere il funzionamento del ciclo dal punto in cui era stato interrotto, premere il tasto **AVVIO/PAUSA**.

AVVISI E CONSIGLI

CONSIGLI

Prima di caricare i cestelli, eliminare tutti i residui di cibo dalle stoviglie e vuotare i bicchieri. **Non occorre il risciacquo sotto acqua corrente prima del caricamento.**

Sistemare le stoviglie in modo che rimangano in sede e non si possano ribaltare; e sistemare le vaschette con le aperture rivolte verso il basso e le parti concave/complesse disposte obliquamente, per consentire all'acqua di lavaggio di raggiungere ogni superficie e scorrervi liberamente.

Avvertenza: coperchi, maniglie, vassoi e padelle non devono ostacolare la rotazione degli aspersori.

Riporre tutti gli oggetti di piccole dimensioni nel cestello portaposate. Quando molto sporche, riporre piatti e pentole nel cestello inferiore poiché nel relativo settore gli aspersori svolgono un'azione più intensa e consentono migliori prestazioni nel lavaggio.

Una volta completata la procedura di carico, accertarsi che gli aspersori possano ruotare liberamente.

STOVIGLIE DI TIPO NON ADATTO

- Stoviglie e posate in legno.
- Bicchieri decorati, pezzi di artigianato e piatti antichi. Le decorazioni non sono sufficientemente resistenti.
- Componenti in materiali sintetici che non resistono alle temperature elevate.
- Stoviglie in rame e stagno.
- Stoviglie sporche di cenere, cera, grasso lubrificante o inchiostro.

Durante la fase di lavaggio i colori delle decorazioni di bicchieri e pezzi in alluminio/argento possono sbiadire. Alcuni tipi di bicchieri (es. i bicchieri in cristallo) possono divenire opachi anche soltanto dopo un certo numero di lavaggi.

CONSIGLI PER IL RISPARMIO ENERGETICO

- Se la lavastoviglie viene usata secondo le istruzioni del produttore, il **lavaggio delle stoviglie a macchina comporta normalmente un MINORE CONSUMO DI ENERGIA e acqua rispetto al lavaggio a mano.**
- Per ottimizzare l'efficienza della lavastoviglie si raccomanda di **avviare il ciclo di lavaggio con l'apparecchio a pieno carico.** Caricando la lavastoviglie fino alla capacità indicata dal produttore si contribuirà a ridurre i consumi d'acqua e di energia. Per informazioni sul caricamento corretto delle stoviglie, leggere la sezione **CARICAMENTO DEI CESTELLI**. In caso di carico parziale, si raccomanda di usare le apposite opzioni di lavaggio, se disponibili (Mezzo carico/ Zone Wash/ Multizona), caricando solo i cestelli selezionati. Un caricamento non corretto o eccessivo della lavastoviglie può aumentare il consumo di risorse (acqua, energia e tempo, oltre a una maggiore rumorosità) e ridurre le prestazioni di lavaggio e asciugatura.
- Il pre-risciacquo delle stoviglie comporta un maggiore consumo di acqua ed energia e non è consigliato.

DANNEGGIAMENTO DI BICCHIERI E STOVIGLIE

- Utilizzare soltanto bicchieri e porcellane garantite dal produttore per il lavaggio in lavastoviglie.
- Utilizzare un detersivo delicato e adatto al tipo di stoviglie in questione
- Togliere i bicchieri e gli altri elementi dalla lavastoviglie non appena sia terminato il ciclo di lavaggio.

IGIENIZZANTE

Per evitare la formazione di cattivi odori e sedimenti vari all'interno della lavastoviglie **avviare un programma che preveda temperature elevate almeno una volta al mese.** Per eseguire la pulizia dell'apparecchio utilizzare un cucchiaino di detersivo e avviare il ciclo in assenza di carico.

MANUTENZIONE E PULIZIA

PULIZIA DEL GRUPPO FILTRO

Pulire regolarmente il gruppo filtro in modo che nei relativi elementi non si formino ostruzioni e che l'acqua vi scorra regolarmente.

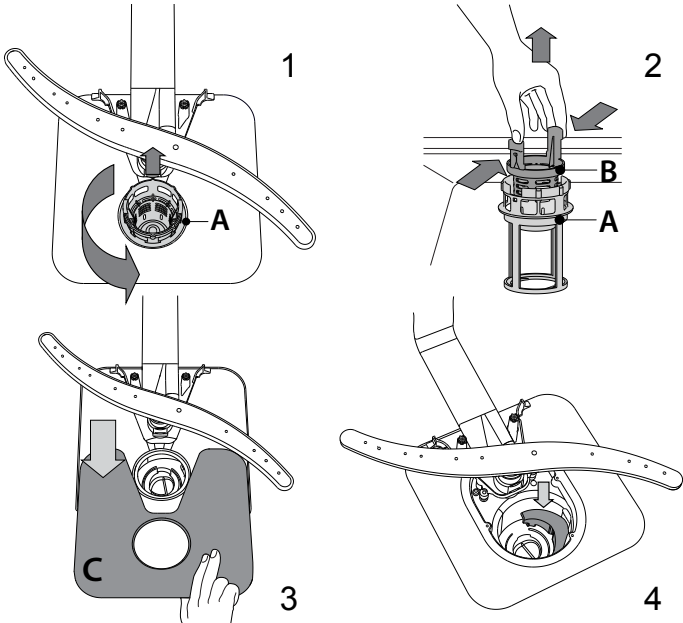
L'uso della lavastoviglie con i filtri ostruiti, o con oggetti estranei nel sistema filtrante o nei bracci irroratori, può causare malfunzionamenti e determinare una perdita di prestazioni, un aumento della rumorosità o un maggiore consumo di risorse.

Il gruppo filtro è composto da tre elementi filtranti che eliminano la presenza di residui di cibo dall'acqua di lavaggio, rimettendola in circolo ai fini del programma: per ottenere le migliori prestazioni durante il lavaggio è necessario che tali elementi siano sempre puliti.

Non utilizzare mai la lavastoviglie priva dei filtri o con i filtri allentati.

Almeno una volta al mese o ogni 30 cicli di lavaggio, verificare lo stato del gruppo filtro e se necessario pulirlo completamente sotto getto di acqua corrente, servendosi di spazzola metallica e seguendo le istruzioni sotto riportate:

1. Ruotare il filtro cilindrico **A** in senso antiorario, quindi estrarlo (Fig. 1).
2. Smontare il filtro a tazza **B** esercitando una leggera pressione sulle sponde laterali (Fig. 2).
3. Far scorrere il filtro a piastra in acciaio inossidabile **C**, fino ad estrarlo (Fig. 3).
4. Se si trovano oggetti estranei (frammenti di vetro, porcellana, ossa, semi di frutta, ecc.), **rimuoverli con attenzione**.
5. Esaminare il sifone ed eliminare la presenza di qualsiasi residuo di cibo. **NON TOGLIERE MAI** l'elemento di protezione della pompa di lavaggio (dettaglio di colore nero) (Fig. 4).



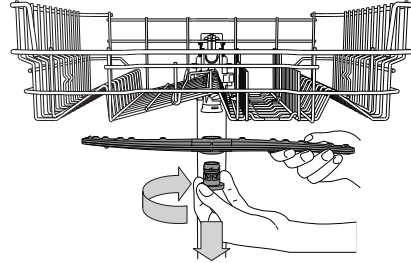
Dopo aver pulito i filtri, rimontare il gruppo e fissarlo correttamente in sede ciò è fondamentale per garantire l'efficienza della lavastoviglie.

PULIZIA DEL TUBO DI CARICO ACQUA

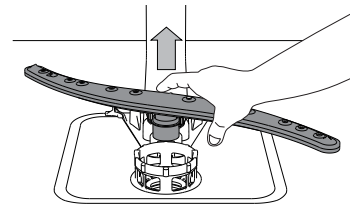
Se i tubi dell'acqua sono nuovi o sono rimasti inutilizzati per un periodo prolungato, prima di eseguire i raccordi necessari far scorrere l'acqua per controllare che sia pulita e priva di impurità. In assenza di tale precauzione, il tubo di carico acqua può risultare ostruito con conseguente danneggiamento della lavastoviglie.

PULIZIA DEI BRACCI ASPERSORI

I residui di cibo possono occasionalmente formare incrostazioni sui bracci aspersori e bloccare i fori utilizzati per l'irrorazione dell'acqua. Si raccomanda pertanto di ispezionare di volta in volta i bracci e di pulirli mediante piccola spazzola metallica.



Per smontare il braccio aspersore superiore, ruotare l'anello di bloccaggio in plastica in senso orario. Il rimontaggio del braccio aspersore deve avvenire in modo che il lato con il maggior numero di fori sia rivolto verso l'alto.



È possibile smontare l'elemento aspersore del cestello inferiore sollevandolo verso l'alto.

SISTEMA DI ADDOLCIMENTO DELL'ACQUA

L'addolcitore riduce automaticamente la durezza dell'acqua, impedendo la formazione di calcare sulla serpentina e contribuendo a migliorare l'efficienza di lavaggio.

Questo sistema si rigenera con il sale, che deve essere perciò rabboccato quando il serbatoio del sale è vuoto.


La frequenza di rigenerazione dipende dal livello di durezza impostato - la rigenerazione avviene ogni 5 cicli Eco con la durezza dell'acqua impostata al livello 3.

Il processo di rigenerazione inizia durante il risciacquo finale e termina nella fase di asciugatura, prima del termine del ciclo.

- Ogni rigenerazione comporta: un consumo di ~3,5 litri d'acqua;
- Un prolungamento di 5 minuti della normale durata del ciclo;
- Un consumo di energia minore di 0,005 kWh.

RISOLUZIONE DEI PROBLEMI

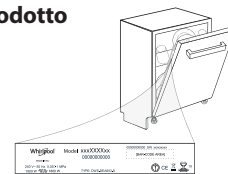
Se la lavastoviglie non funziona correttamente, provare a risolvere il problema consultando l'elenco sotto riportato. Per errori o problemi di altro tipo, contattare un Servizio Assistenza Tecnica autorizzato; i dati di contatto sono riportati nel libretto di garanzia. Il ricambi saranno disponibili per un periodo fino a 7 o fino a 10 anni, secondo i requisiti specifici del regolamento.

PROBLEMI	POSSIBILI CAUSE	SOLUZIONE
 L'indicatore del sale è acceso	Il serbatoio del sale è vuoto. (È possibile che, dopo aver riempito il serbatoio, la spia del sale resti accesa per diversi cicli di lavaggio).	Riempire il serbatoio con sale (per ulteriori informazioni, vedere pagina 2). Regolare la durezza dell'acqua - vedere la tabella a pagina 2.
La lavastoviglie non si avvia o i comandi non rispondono.	L'apparecchio non è stato collegato correttamente all'alimentazione elettrica.	Inserire la spina nella presa di corrente.
	Mancanza di corrente.	Per ragioni di sicurezza, la lavastoviglie non si riavvia automaticamente al ripristino della corrente elettrica. Premere il tasto AVVIO/Pausa per riprendere il ciclo.
	Mancata chiusura della porta lavastoviglie.	Spingere con decisione la porta fino ad avvertire il caratteristico "clac".
	Il ciclo è stato interrotto con l'apertura dello sportello per più di 4 secondi.	Chiudere la porta e premere il tasto AVVIO/Pausa.
Lo scarico della lavastoviglie non avviene.	Mancato funzionamento dei vari comandi.	Spegnere l'apparecchio premendo il tasto ACCENSIONE/SPEGNIMENTO, riaccenderlo dopo circa un minuto e riavviare il programma. Se il problema persiste, staccare l'apparecchio dalla rete elettrica per 1 minuto, quindi ricollegarlo.
	Ciclo di lavaggio non ancora concluso.	Attendere la conclusione del ciclo di lavaggio.
	Tube di scarico piegato.	Verificare che il tubo di scarico non sia piegato (vedere le ISTRUZIONI DI INSTALLAZIONE).
	Tube di scarico del lavandino ostruito.	Pulire il tubo di scarico del lavandino.
La rumorosità della lavastoviglie è eccessiva.	Ostruzione filtro a causa di residui di cibo	Pulire il filtro (vedere PULIZIA DEL GRUPPO FILTRO).
	Urto dei piatti tra loro durante il lavaggio.	Sistemare le stoviglie nel modo corretto (vedere CARICAMENTO DEI CESTELLI).
La rumorosità della lavastoviglie è eccessiva.	Produzione eccessiva di schiuma.	Il dosaggio del detersivo non è stato stabilito in modo corretto oppure il detersivo non è del tipo adatto alle lavastoviglie (vedere RIEMPIMENTO DELLA VASCHETTA DEL DETERSIVO). Ripristinare la lavastoviglie premendo il tasto di SCARICO (vedere OPZIONI E FUNZIONI) e avviare il programma nuovo senza detersivo.
	I piatti non risultano puliti.	Errata disposizione delle stoviglie.
Impedimento nella rotazione dei bracci aspersori a causa dell'interferenza dei piatti.		Sistemare le stoviglie nel modo corretto (vedere CARICAMENTO DEI CESTELLI).
Il ciclo di lavaggio è eccessivamente delicato.		Selezionare il programma adatto (vedere la TABELLA DEI PROGRAMMI).
Produzione eccessiva di schiuma.		Il dosaggio del detersivo non è stato stabilito in modo corretto oppure il detersivo non è del tipo adatto alle lavastoviglie (vedere RIEMPIMENTO DEL DISTRIBUTORE DETERSIVO).
Tappo sul vano brillantante non correttamente chiuso.		Accertarsi che il tappo sul distributore brillantante sia chiuso.
Filtro sporco oppure ostruito.		Pulire il gruppo filtro (vedere CURA E MANUTENZIONE).
Mancanza di sale.		Riempire il serbatoio del sale (vedere RIEMPIMENTO DEL SERBATOIO SALE).
La lavastoviglie non esegue il carico dell'acqua. Tutti i LED lampeggiano rapidamente.	Assenza di alimentazione idrica o rubinetto chiuso.	Accertarsi che il tubo di alimentazione idrica contenga l'acqua necessaria o che il rubinetto sia aperto.
	Il tubo di carico è piegato	Accertarsi che il tubo di carico non sia piegato (vedere INSTALLAZIONE) riprogrammare la lavastoviglie e riavviarla.
	L'elemento filtrante nel tubo di carico è ostruito; è necessario pulirlo.	Dopo aver eseguito le operazioni di ispezione e pulizia, spegnere e accendere la lavastoviglie e avviare un programma nuovo.
La lavastoviglie termina il ciclo di lavaggio troppo presto.	Il tubo di scarico è posizionato troppo in basso o crea un effetto sifone nell'impianto di scarico domestico.	Controllare che l'estremità del tubo di scarico si trovi all'altezza corretta (vedere INSTALLAZIONE). Verificare eventuali effetti sifone nell'impianto di scarico domestico; se necessario, installare una valvola di ingresso aria.
	Aria nel tubo di mandata dell'acqua.	Controllare che non vi siano perdite nell'impianto idraulico o altri problemi che causino l'ingresso di aria.
La perdita di detergente.	Dipende dal detergente liquido utilizzato e può essere accentuata in caso di opzione di ritardo attivata.	Piccole perdite non causano malfunzionamenti della macchina e possono essere evitate cambiando il tipo di detergente liquido o utilizzando le pastiglie.

Documentazione normativa, documentazione standard, ordinazione di pezzi di ricambio e altre informazioni sul prodotto possono essere reperite:

- Utilizzo del codice QR sul prodotto.
- Visitando il nostro sito web docs.indesit.eu e parts-selfservice.europeanappliances.com
- Oppure, **contattare il Servizio Assistenza Tecnica** (al numero di telefono riportato sul libretto di garanzia). Quando si contatta il Servizio Assistenza Tecnica, fornire i codici presenti sulla targhetta matricola del prodotto.

I dati del modello possono essere richiamati usando il codice QR riportato sull'etichetta energetica. L'etichetta riporta anche il codice identificativo del modello che può essere utilizzato per consultare il portale di registrazione su <https://eprel.ec.europa.eu>.



400020016532

11/2024 ks - Xerox Fabriano

