



**Built-in Oven**

User Manual

**Forno incassato**

Manuale utente

**Встраиваемый духовой шкаф**

Руководство пользователя



**BBIGT21100X**

**EN / IT / RU**

285.4493.40/R.AA/19.04.2023

7779420261



RECYCLED &  
RECYCLABLE PAPER

## Please read this user manual first!

Dear Customer,

Thank you for purchasing this Beko product. We hope that you get the best results from your product which has been manufactured with high quality and state-of-the-art technology. Therefore, please read this entire user manual and all other accompanying documents carefully before using the product and keep it as a reference for future use. If you handover the product to someone else, give the user manual as well. Follow all warnings and information in the user manual.

Remember that this user manual is also applicable for several other models. Differences between models will be identified in the manual.

### Explanation of symbols

Throughout this user manual the following symbols are used:



Important information or useful hints about usage.



Warning of hazardous situations with regard to life and property.



Warning of electric shock.



Warning of risk of fire.



Warning of hot surfaces.



**Arçelik A.Ş.**  
Karaağaç caddesi No:2-6  
34445 Sütlüce/İstanbul/TURKEY  
Made in TURKEY

## TABLE OF CONTENTS

### **1 Important instructions and warnings for safety and environment** **4**

General safety .....	4
Safety when working with gas .....	4
Electrical safety .....	6
Product safety .....	7
Intended use .....	9
Safety for children .....	9
Disposing of the old product .....	10
Package information .....	10

### **2 General information** **11**

Overview .....	11
Package contents .....	12
Technical specifications .....	13
Injector table .....	13

### **3 Installation** **15**

Before installation .....	15
Installation and connection .....	18
Gas conversion .....	22
Future Transportation .....	25

### **4 Preparation** **27**

Tips for saving energy .....	27
Initial use .....	27
First cleaning of the appliance .....	27
Initial heating .....	27

### **5 How to operate the oven** **28**

General information on baking, roasting and grilling .....	28
How to use the gas oven .....	28
Operating modes .....	29
Cooking times table .....	30
How to operate the grill .....	31
Cooking times table for grilling .....	32

### **6 Maintenance and care** **33**

General information .....	33
Cleaning the control panel .....	33
Cleaning the oven .....	33
Cleaning the oven door .....	34
Replacing the oven lamp .....	35

### **7 Troubleshooting** **36**

## **1 Important instructions and warnings for safety and environment**

This section contains safety instructions that will help protect from risk of personal injury or property damage. Failure to follow these instructions shall void any warranty.

### **General safety**

- This appliance can be used by children aged from 8 years and above and persons with reduced physical, sensory or mental capabilities or lack of experience and knowledge if they have been given supervision or instruction concerning use of the appliance in a safe way and understand the hazards involved.  
Children shall not play with the appliance. Cleaning and user maintenance shall not be made by children without supervision.
- The appliance is not to be used by persons (including children) with reduced physical, sensory or mental capabilities, or lack of experience and knowledge,

unless they have been given supervision or instruction. Children should be supervised and ensure they do not play with the appliance

- If the product is handed over to someone else for personal use or second-hand use purposes, the user manual, product labels and other relevant documents and parts should be also given.
- Installation and repair procedures must always be performed by Authorised Service Agents. The manufacturer shall not be held responsible for damages arising from procedures carried out by unauthorised persons which may also void the warranty. Before installation, read the instructions carefully.
- Do not operate the product if it is defective or has any visible damage.
- Ensure that the product function knobs are switched off after every use.

### **Safety when working with gas**

- Any works on gas equipment and systems may only be

carried out by authorised qualified persons who are Gas Safe registered.

- Prior to the installation, ensure that the local distribution conditions (nature of the gas and gas pressure) and the adjustment of the appliance are compatible.
- This appliance is not connected to a combustion products or evacuation device. It shall be installed and connected in accordance with current installation regulations. Particular attention shall be given to the relevant requirements regarding ventilation; See *Before installation, page 15*
- **CAUTION:** The use of gas cooking appliance results in the production of heat and moisture in the room in which it is installed. Ensure that the kitchen is well ventilated: keep natural ventilation holes open or install a mechanical ventilation device (mechanical extractor hood). Prolonged intensive use of the appliance may call for additional ventilation, for example increasing the level of the mechanical ventilation where present.
- Gas appliances and systems must be regularly checked for proper functioning. Regulator, hose and its clamp must be checked regularly and replaced within the periods recommended by its manufacturer or when necessary.
- Clean the gas burners regularly. The flames should be blue and burn evenly.
- This product should be used in a room which incorporates a properly adjusted and functioning Carbon Monoxide sensor. Make sure the Carbon Monoxide sensor works properly and is maintained frequently. Carbon Monoxide sensor should be installed maximum 2 meters away from the product.
- Good combustion is required in gas appliances. In case of incomplete combustion, carbon monoxide (CO) might develop. Carbon monoxide is a colourless, odourless and very toxic gas, which has a lethal effect even in very small doses.
- Request information about gas emergency telephone

numbers and safety measures in case of gas smell from your local gas provider.

- Conditions and values for gas adjustment of this product are provided on the rating/type label.

### **What to do when you smell gas**

- Do not use open flame or do not smoke. Do not operate any electrical buttons (e.g. lamp button, door bell and etc.) Do not use fixed or mobile phones. Risk of explosion and toxication!
- Open doors and windows.
- Turn off all valves on gas appliances and gas meter at the main control valve, unless it's in a confined space or cellar.
- Check all tubes and connections for tightness. If you still smell gas leave the property.
- Warn the neighbours.
- Call the fire-brigade. Use a telephone outside the house.
- Do not re-enter the property until you are told it is safe to do so.

### **Electrical safety**

- If the product has a failure, it should not be operated

unless it is repaired by an Authorised Service Agent. There is the risk of electric shock!

- Only connect the product to a grounded outlet/line with the voltage and protection as specified in the "Technical specifications". Have the grounding installation made by a qualified electrician while using the product with or without a transformer. Our company shall not be liable for any problems arising due to the product not being earthed in accordance with the local regulations.
- Never wash the product by spreading or pouring water onto it! There is the risk of electric shock!
- Never touch the plug with wet hands! Never unplug by pulling on the cable, always pull out by holding the plug.
- The product must be disconnected during installation, maintenance, cleaning and repairing procedures.
- If the power connection cable for the product is damaged, it must be replaced by the manufacturer, its service agent or similarly qualified

persons in order to avoid a hazard.

- The appliance must be installed so that it can be completely disconnected from the mains supply. The separation must be provided by a switch built into the fixed electrical installation, according to construction regulations.
- Rear surface of the oven gets hot when it is in use. Make sure that the gas/electrical connection does not contact with the rear surface; otherwise, connections can get damaged.
- Do not trap the mains cable between the oven door and frame and do not route it over hot surfaces. Otherwise, cable insulation may melt and cause fire as a result of short circuit.
- Any work on electrical equipment and systems should only be carried out by authorised and qualified persons.
- In case of any damage, switch off the product and disconnect it from the mains. To do this, turn off the fuse at home.

- Make sure that fuse rating is compatible with the product.

### **Product safety**

- **WARNING:** The appliance and its accessible parts become hot during use. Care should be taken to avoid touching heating elements. Children less than 8 years of age shall be kept away unless continuously supervised.
- Never use the product when your judgment or coordination is impaired by the use of alcohol and/or drugs.
- Be careful when using alcoholic drinks in your dishes. Alcohol evaporates at high temperatures and may cause fire since it can ignite when it comes into contact with hot surfaces.
- Food Poisoning Hazard: Do not let food sit in oven for more than 1 hour before or after cooking. Doing so can result in food poisoning or sickness.
- Do not place any flammable materials close to the product as the sides may become hot during use.
- During use the appliances becomes hot. Care should be

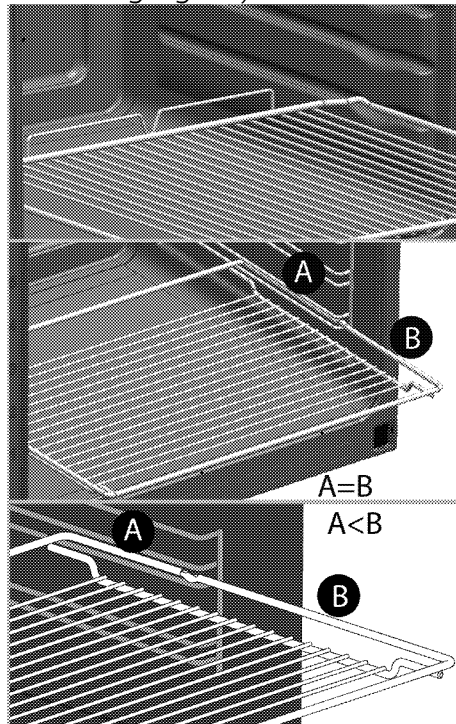
taken to avoid touching heating elements inside the oven.

- Keep all ventilation slots clear of obstructions.
- Do not heat closed tins and glass jars in the oven. The pressure that would build-up in the tin/jar may cause it to burst.
- Do not place baking trays, dishes or aluminium foil directly onto the bottom of the oven. The heat accumulation might damage the bottom of the oven.
- Do not use harsh abrasive cleaners or sharp metal scrapers to clean the oven door glass since they can scratch the surface, which may result in shattering of the glass.
- Do not use steam cleaners to clean the appliance as this may cause an electric shock.
- (Varies depending on the product model.)

Placing the wire shelf and tray onto the wire racks properly

It is important to place the wire shelf and/or tray onto the rack properly. Slide the wire shelf or tray between 2 rails and make sure that it is balanced before placing food

on it (Please see the following figure).



- Do not use the product if the front door glass is removed or cracked.
- Always use heat resistant oven gloves when putting in or removing dishes into/from the hot oven.
- Place the baking paper into the cooking pot or on to the oven accessory (tray, wire grill etc) together with the food and then insert all into the preheated oven. Remove the excess parts of the baking paper overflowing from the accessory or the

pot in order to prevent the risk of touching the oven's heating elements. Never use the baking paper in an operating temperature higher than the indicated value for the baking paper. Do not place the baking paper directly on the base of the oven.

- **WARNING:** Ensure that power cord of the appliance is unplugged or circuit breaker is switched off before replacing the lamp to avoid the possibility of electric shock.
- The appliance must not be installed behind a decorative door in order to avoid overheating.

Prevention against possible fire risk!

- Ensure all electrical connections are secure and tight to prevent risk of arcing.
- Do not use damaged cables or extension cables.
- Ensure liquid or moisture is not accessible to the electrical connection point.
- To prevent gas leakage ensure that the gas connection is sound.

## **Intended use**

- This product is designed for domestic use. Commercial use will void the guarantee.
- **CAUTION:** This appliance is for cooking purposes only. It must not be used for other purposes, for example room heating.
- This product should not be used for warming the plates under the grill, drying towels, dish cloths etc. by hanging them on the oven door handles. This product should also not be used for room heating purposes.
- The manufacturer shall not be liable for any damage caused by improper use or handling errors.
- The oven can be used for defrosting, baking, roasting and grilling food.

## **Safety for children**

- **WARNING:** Accessible parts may become hot during use. Young children should be kept away.
- The packaging materials will be dangerous for children. Keep the packaging materials away from children. Please dispose of all parts of the packaging according to environmental standards.

- Electrical and/or gas products are dangerous to children. Keep children away from the product when it is operating and do not allow them to play with the product.
- An additional protective means to avoid contact with the oven door is available. This part should be fitted when young children are likely to be present.
- Do not place any items above the appliance that children may reach for.
- When the door is open, do not load any heavy object on it and do not allow children to sit on it. It may overturn or door hinges may get damaged.

## **Disposing of the old product**

### **Compliance with the WEEE Directive and Disposing of the Waste Product:**



This product complies with EU WEEE Directive (2012/19/EU). This product bears a classification symbol for waste electrical and electronic equipment (WEEE).

This product has been manufactured with high quality parts and materials which can be reused and are suitable for recycling. Do not dispose of the waste product with normal domestic and other wastes at the end of its service life. Take it to the collection center for the recycling of electrical and electronic equipment. Please consult your local authorities to learn about these collection centers.

### **Compliance with RoHS Directive:**

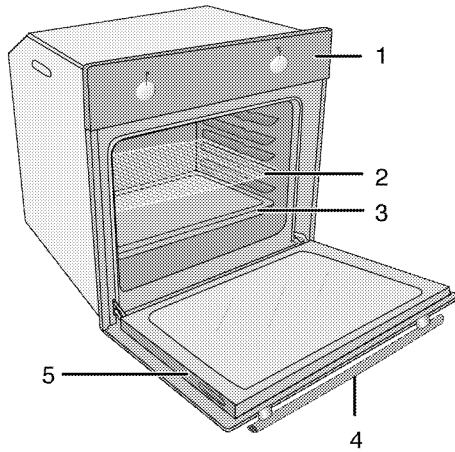
The product you have purchased complies with EU RoHS Directive (2011/65/EU). It does not contain harmful and prohibited materials specified in the Directive.

### **Package information**

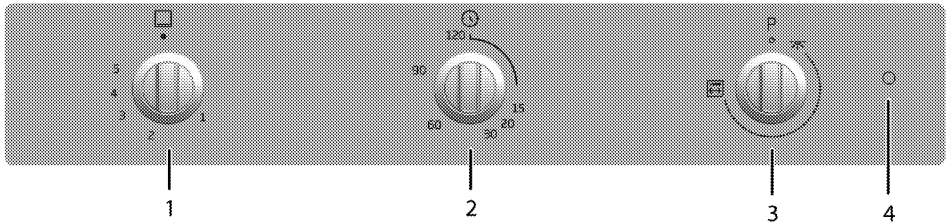
- Packaging materials of the product are manufactured from recyclable materials in accordance with our National Environment Regulations. Do not dispose of the packaging materials together with the domestic or other wastes. Take them to the packaging material collection points designated by the local authorities.

## 2 General information

### Overview



- 1 Control panel
- 2 Wire shelf
- 3 Tray
- 4 Handle
- 5 Door



- 1 Oven knob
- 2 Mechanical timer
- 3 Grill function knob
- 4 Warning lamp

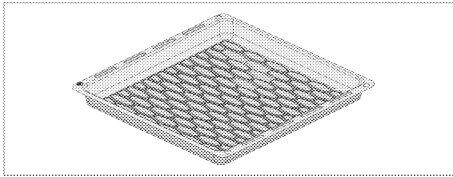
## Package contents

**i** Accessories supplied can vary depending on the product model. Not every accessory described in the user manual may exist on your product.

### 1. User manual

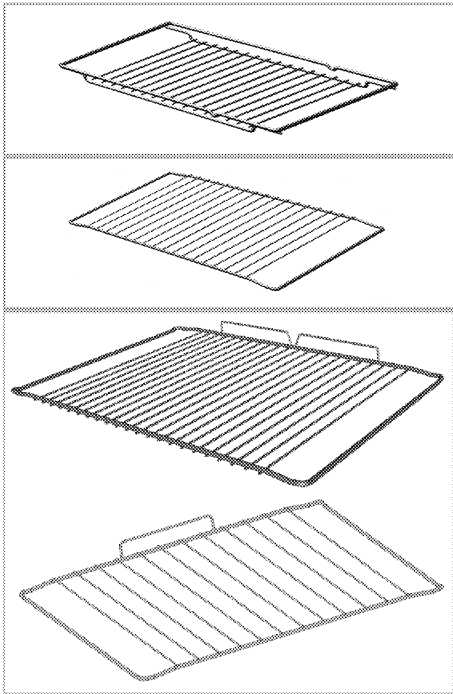
### 2. Standard tray

Used for pastries, frozen foods and big roasts.



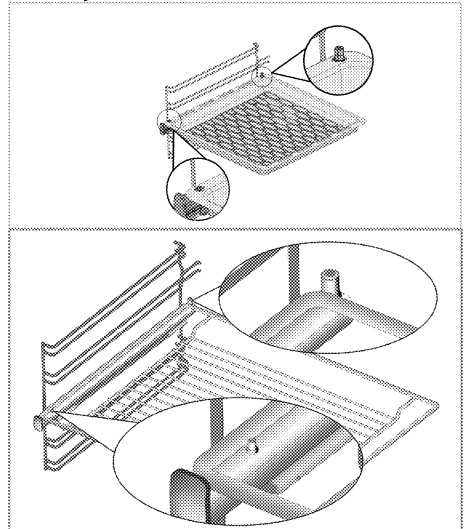
### 3. Wire grill

Used for roasting and for placing the food to be baked, roasted or cooked in casserole dishes to the desired rack.



### 4. Placing the wire shelf and tray onto the telescopic racks properly (This feature is optional. It may not exist on your product.)

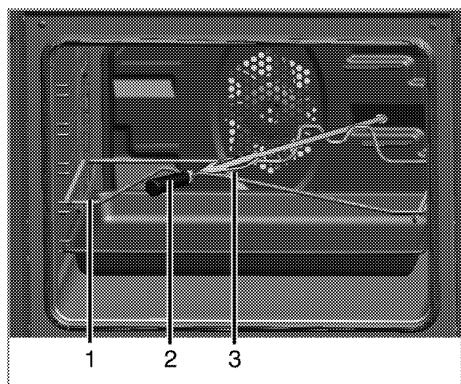
Telescopic racks allow you to install and remove the trays and wire shelf easily. When using the tray and wire shelf with telescopic racks, make sure that the pins at the rear section of the telescopic rack stands against the edges of the wire shelf and tray.



### 5. Rotisserie chicken

Used to grill meat, poultry and fish evenly from all sides.

- Fix the food to be grilled to the turn spit with the forks.
- Place the turn spit frame into the oven by aligning it with the turn spit driver.
- Insert the sharp edge of the turn spit into the turn spit driver and place the turn spit onto the turn spit frame.
- Remove the spit handle while grilling.



- 1 Turn spit frame
  - 2 Plastic handle \*
  - 3 Fork
- \* (Varies depending on the product model.)

## Technical specifications

Voltage / frequency	220-240 V ~ 50 Hz
Total power consumption	2.25 kW
Cable type / section	min.H05VV-FG 3 x 1,5 mm <sup>2</sup>
Category of gas product	Cat II 2H3+ / Cat II 2H3B/P
Installed gas type / pressure of the product	G20, 20 mbar/
Total gas consumption	2.3 kW
Converting the gas type / pressure <sup>s</sup> _ optional	G30, 28-30 mbar/ G31, 37 mbar/ - G20, 13 mbar/ - G20, 10 mbar
External dimensions (height / width / depth)	595 mm/594 mm/567 mm
Installation dimensions (height / width / depth)	**590 or 600 mm/560 mm/min. 570 mm
Main oven	<b>Gas oven</b>
Inner lamp	15/25 W
Grill power consumption	2.2 kW
Gas consumption of oven	2.3 kW

\*\* See. *Installation*, page 15.

**i** Technical specifications may be changed without prior notice to improve the quality of the product.

**i** Figures in this manual are schematic and may not exactly match your product.

**i** Values stated on the product labels or in the documentation accompanying it are obtained in laboratory conditions in accordance with relevant standards. Depending on operational and environmental conditions of the product, these values may vary.

## Injector table

Gas type / Gas pressure	Gas oven
G 20/10 mbar	130
G 20/13 mbar	128
G 20/20 mbar	110
G 30/28-30 mbar	75
G 31/ 37 mbar	75

You can obtain the injectors which were not provided with your product, from the authorised service provider.

## Country gas categories/types/pressure


You can find the gas type, pressure and gas category that can be used for the country where the product will be installed in the table below.


COUNTRY CODES	CATEGORY		GAS TYPE AND PRESSURE			
FR	Cat II	2E+3+	G20,20 mbar	G25,25 mbar	G30,28 30 mbar	G31,37 mbar
BE	Cat II	2E+3+	G20,20 mbar	G25,25 mbar	G30,28 30 mbar	G31,37 mbar
RU	Cat II	2H3B/P	G20,20 mbar	G30,30 mbar	G20,13 mbar	G20,10 mbar
CZ	Cat II	2H3+	G20,20 mbar	G30,28 30 mbar	G31,37 mbar	
NL	Cat II	2E(43.46 - 45.3 MJ/m <sup>3</sup> (0°C))3B/P	G25.3,25 mbar	G20,20 mbar	G30,30 mbar	
	Cat II	2L3B/P	G25,25 mbar	G20,20 mbar	G30,30 mbar	
GB	Cat II	2H3+	G20,20 mbar	G30,28 30 mbar	G31,37 mbar	
IE	Cat II	2H3+	G20,20 mbar	G30,28 30 mbar	G31,37 mbar	
ES	Cat II	2H3+	G20,20 mbar	G30,28 30 mbar	G31,37 mbar	
PT	Cat II	2H3+	G20,20 mbar	G30,28 30 mbar	G31,37 mbar	
CH	Cat II	2H3+	G20,20 mbar	G30,28 30 mbar	G31,37 mbar	
IT	Cat II	2H3+	G20,20 mbar	G30,28 30 mbar	G31,37 mbar	
SK	Cat II	2H3+	G20,20 mbar	G30,28 30 mbar	G31,37 mbar	
CY	Cat II	2H3+	G20,20 mbar	G30,28 30 mbar	G31,37 mbar	
SI	Cat II	2H3+	G20,20 mbar	G30,28 30 mbar	G31,37 mbar	
GR	Cat II	2H3+	G20,20 mbar	G30,28 30 mbar	G31,37 mbar	
PL	Cat II	2ELS3B/P	G20,20 mbar	G2.350,13 mbar	G30,37 mbar	
	Cat II	2E3P(B/P)	G20,20 mbar	G30,37 mbar		
DE	Cat II	2E3B/P	G20,20 mbar	G30,50 mbar		
AT	Cat II	2H3B/P	G20,20 mbar	G30,50 mbar		
SE	Cat II	2H3B/P	G20,20 mbar	G30,30 mbar		
LT	Cat II	2H3B/P	G20,20 mbar	G30,30 mbar		
NO	Cat II	2H3B/P	G20,20 mbar	G30,30 mbar		
RO	Cat II	2H3B/P	G20,20 mbar	G30,30 mbar		
DK	Cat II	2H3B/P	G20,20 mbar	G30,30 mbar		
EE	Cat II	2H3B/P	G20,20 mbar	G30,30 mbar		
MA	Cat II	2H3B/P	G20,20 mbar	G30,30 mbar		
FI	Cat II	2H3B/P	G20,20 mbar	G30,30 mbar		
HR	Cat II	2H3B/P	G20,20 mbar	G30,30 mbar		
TR	Cat II	2H3B/P	G20,20 mbar	G30,30 mbar		
MT	Cat I	3B/P	G30,30 mbar			
IS	Cat I	2H	G20,20 mbar			
LV	Cat I	2H	G20,20 mbar			
LU	Cat I	2E	G20,20 mbar			
BG	Cat I	2H	G20,20 mbar			
	Cat I	3B/P	G30,30 mbar			
HU	Cat I	2H	G20,25 mbar			
	Cat I	3B/P	G30,30 mbar			

### 3 Installation

Product must be installed by a qualified person in accordance with the regulations in force. The manufacturer shall not be held responsible for damages arising from procedures carried out by unauthorized persons which may also void the warranty.

 Preparation of location and electrical and gas installation for the product is under customer's responsibility.

 The product must be installed in accordance with all local gas and/or electrical regulations.


 Prior to installation, visually check if the product has any defects on it. If so, do not have it installed.  
Damaged products cause risks for your safety.


#### Before installation

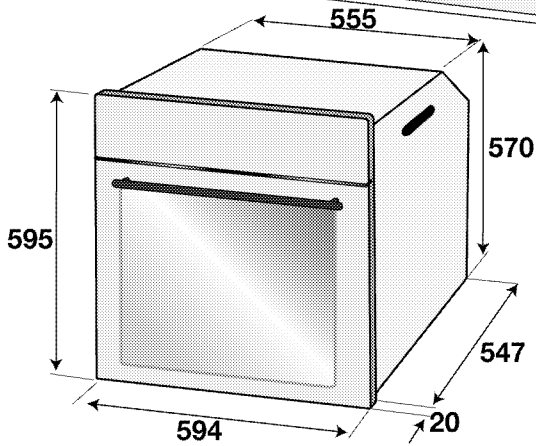
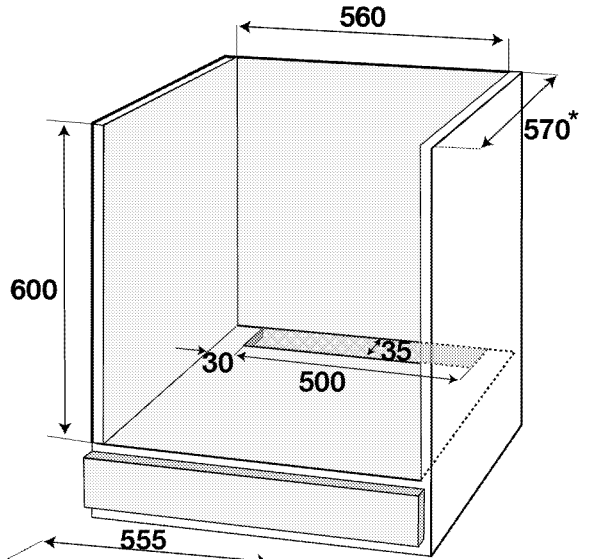
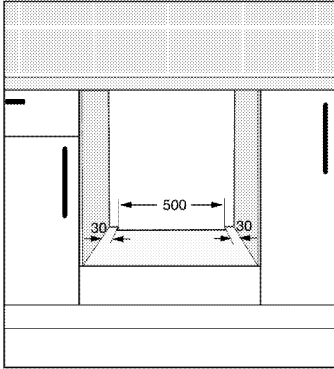
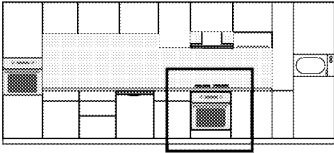
The appliances must not be installed behind a decorative door in order to avoid overheating.

The appliance is intended for installation in commercially available kitchen cabinets. A safety distance must be left between the appliance and the kitchen walls and furniture. See figure (values in mm).

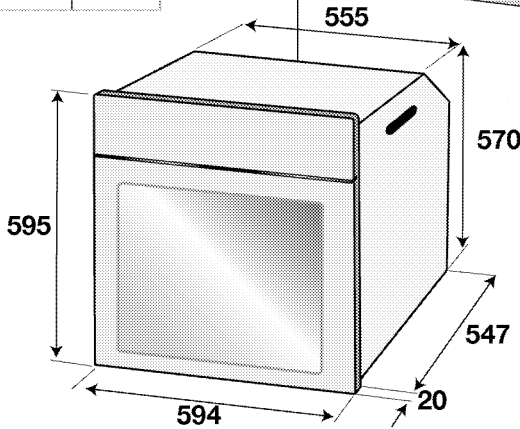
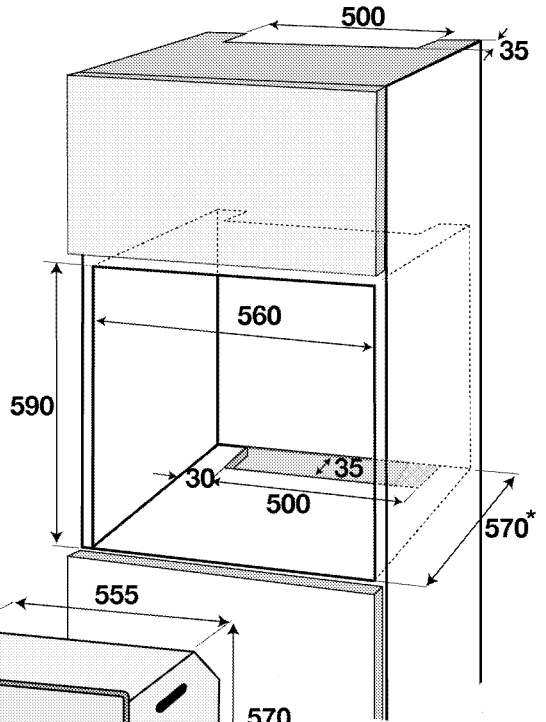
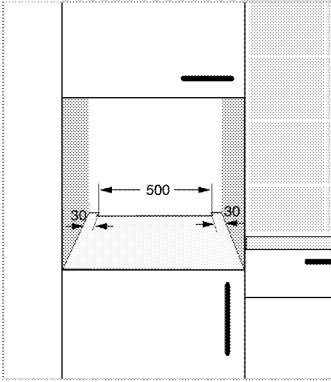
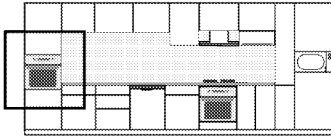
- Surfaces, synthetic laminates and adhesives used must be heat resistant (100 °C minimum).
- Kitchen cabinets must be set level and fixed.
- If there is a drawer beneath the oven, a shelf must be installed in order to separate from the oven and drawer.
- Carry the appliance with at least two persons.
- Hold the oven from the slots for handling on both sides to move it.
- Before installing the product, remove all materials and documents inside.
- Kitchen furniture must be in compliance with the dimensions given in the figure below. At the rear section of the kitchen furniture, an opening must be cut out with the dimensions given in the figure below to ensure sufficient ventilation.
- This product is a class 3 device according to EN 30-1-1 standard.

 Do not install the appliance next to refrigerators or freezers. The heat emitted by the appliance will lead to an increased energy consumption of cooling appliances.

 The door and/or handle must not be used for lifting or moving the appliance.



\* min.



\* min.

### Room ventilation

All rooms require an openable window, or equivalent, and some rooms will require a permanent vent as well. The air for combustion is taken from the room air and the exhaust gases are emitted directly into the room. Good ventilation is essential for safe operation of your appliance.

#### Rooms with doors and/or windows which open directly to the outer environment

The doors and/or windows that open directly to the outer environment must have

a total ventilation opening of the dimensions specified in the table below which is based on the total gas power of the appliance (total gas power consumption of the appliance is shown in the technical specification table of this user manual). If the doors and/or windows do not have a total ventilation opening corresponding to the total gas consumption of the appliance as specified in the table below, then there must definitely be an additional fixed ventilation opening in the room to ensure that the total minimum ventilation

requirements for the total gas consumption of the appliance is achieved. The fixed ventilation opening can include openings for existing airbricks, extraction hood ducting opening dimension etc.

Total gas consumption (kW)	min. Ventilation opening (cm <sup>2</sup> )
0-2	100
2-3	120
3-4	175
4-6	300
6-8	400
8-10	500
10-11.5	600
11.5-13	700
13-15.5	800
15.5-17	900
17-19	1000
19-24	1250

### Rooms that do not have openable doors and/or windows that open directly to the outer environment

If the room where the appliance is installed does not have a door and/or a window that opens directly to the outer environment, other products shall be sought that definitely provide a fixed nonadjustable and non-closable ventilation opening which meets the total minimum ventilation opening requirements for the total gas consumption of the appliance as indicated in the above table. Also the appropriate building regulations advise should be followed.

Where a room or internal space contains more than one gas appliance, additional ventilation area shall be provided on top of the requirement given in the table above. Size of additional ventilation area shall be appropriate to regulations of other gas appliances.

There should also be a minimum clearance of 10mm on the bottom edge of the door that opens to the inner environment in the room where the appliance is installed. You must ensure that items such as carpets and other floorcoverings etc., do not affect the clearance when the door is closed.

The cooker may be located in a kitchen, kitchen/diner or a bed-sitting room, but not in a room containing a bath or a shower.

The cooker must not be installed in a bed-sitting room of less than 20m<sup>3</sup>.

Do not install this appliance in a room below ground level unless it is open to ground level on at least one side.

### Installation and connection

- The product must be installed in accordance with all local gas and electrical regulations.

### Electrical connection

Connect the product to a grounded outlet/line protected by a miniature circuit breaker of suitable capacity as stated in the "Technical specifications" table. Have the grounding installation made by a qualified electrician while using the product with or without a transformer. Our company shall not be liable for any damages that will arise due to using the product without a grounding installation in accordance with the local regulations.



The product must be connected to the mains supply only by an authorised and qualified person. The product's warranty period starts only after correct installation. Manufacturer shall not be held responsible for damages arising from procedures carried out by unauthorised persons.





The power cable must not be clamped, bent or trapped or come into contact with hot parts of the product.


A damaged power cable must be replaced by a qualified electrician. Otherwise, there is risk of electric shock, short circuit or fire!

- Connection must comply with national regulations.
- The mains supply data must correspond to the data specified on the type label of the product. Open the front door to see the type label.

- Power cable of your product must comply with the values in "Technical specifications" table.

 Before starting any work on the electrical installation, disconnect the product from the mains supply. There is the risk of electric shock!

 Power cable plug must be within easy reach after installation (do not route it above the hob).

 While performing the wiring, you must apply with the national/local electrical regulations and must use the appropriate socket outlet/line and plug for oven. In case of the product's power limits are out of current carrying capability of plug and socket outlet/line, the product must be connected through fixed electrical installation directly without using plug and socket outlet/line.

Plug the power cable into the socket.

## Gas connection

 **General warnings**

- There is risk of explosion, fire and toxication could be occur if installation, repair or connection are made from unauthorised/unlicensed/ unqualified person or technician.
- Before placing the product, make sure that the local distribution conditions (gas type and pressure) and whether the product gas setting complies with these conditions. Gas adjustment conditions and values of the product are located on the labels (or type label).
- If your country code is not on the label, follow the local technical instructions for your country for gas connection and conversion.
- Product can be connected to gas supply system only by an authorised/licensed/qualified person or technician.
- Manufacturer shall not be held responsible for damages arising from procedures carried out by unauthorised/unlicensed/ unqualified person or technician.

- Before starting any work on the gas installation, disconnect the gas supply. There is the risk of explosion!
- **If you need to use your product later with a different type of gas, you must consult the authorised/licensed/ qualified person or technician for the related conversion procedure.**
- Make sure that the gas connection is checked well for tightness after each use. The manufacturer cannot be held responsible for any damages that may arise due to gas leakage that may occur as a result of gas connection or conversion made by unauthorized/non-licensed persons.



### Risks of fire:

If you do not make the connection according to the instructions below, there will be the risk of gas leakage and fire. **Our company cannot be held responsible for damages resulting from this.**


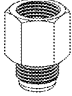
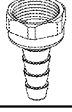
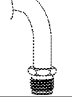
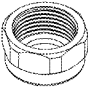
- Gas connection must be made by an authorised/licensed/ qualified person or technician only.
- Make sure that the gas hose to be used in the gas connection complies with the local gas standards.
- The flexible gas hose must be connected in a way that it does not contact the moving parts and hot surfaces (shown below figures) around it and is not trapped when the moving parts are travelling. (e.g. drawers). Besides, it should not be placed in spaces where it might get squeezed.
- Do not move the product whose gas connection is complete. If it is moved, there may be a risk of gas leakage.
- The gas hose should be connected by making wide-angle turns against the possibility of breaking and folding during the connection.
- The gas hose should not be crushed, folded, pinched, touched by sharp corners or come into contact with hot parts of the product and cookware on the product. There is a risk of explosion due to damage to the gas hose!
- The gas hose should not come into contact with parts that can reach a

temperature of 70 C above room temperature.

- A spanner must be used for gas connection and conversion.

### Parts for Gas Connection

The parts and tools visuals, may be required for the gas connection are given below. Depending on the model, these parts may not be given with the product. The gas connections parts to be used may vary according to the gas type and country regulations.

	Leakage Seal
	Connection piece for natural gas (G20,G25) EN 10226 R1/2"
	Connection piece for liquid gas (G30,G31)
	Gas outlet connection piece
	Blind plug

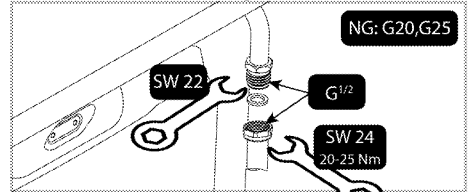
### Making the gas connection - NG

- Natural gas installation must be prepared suitably for the assembly before installing the product. There must be a natural gas valve at the outlet of gas system to be connected to the product.
- Make sure that the natural gas valve is readily accessible.
- Connect your product to the natural gas system in your home with a flexible gas hose that complies with local standards.
- A new sealing gasket must be used while making the gas connection.
- The gas supply must be connected via a gas pipe or a safety gas hose with threaded fittings at both ends.
- The connection can be made in two different ways:

- EN ISO 228 G1/2" type connection
- EN 10226 R1/2" type connection

#### EN ISO 228 G1/2" type connection

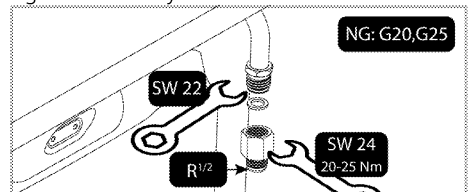
1. Place the new seal in the connection piece and make sure the seal is seated correctly.
2. Secure the gas connection piece to the appliance with using a 22 mm spanner and place the connection piece into the connection piece using a 24 mm spanner.



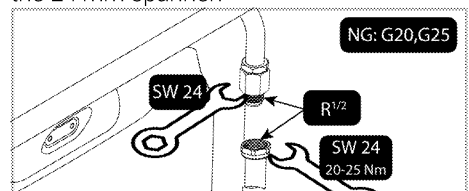
3. You must check for leakage of the connection part after connection.

#### EN 10226 R1/2" type connection

1. Place the new seal in the connection piece for natural gas and make sure the seal is seated correctly.
2. While holding the gas connection outlet of the product fixed with a 22 spanner, connect the interconnection piece to the product gas outlet with a 24 spanner and tighten securely.



3. Wrap a sealing compound around the threaded part of the interconnector. Connect the threaded part of the safety gas hose/pipe to the interconnector with the 24 mm spanner and tighten securely, holding the interconnector in place with the 24 mm spanner.



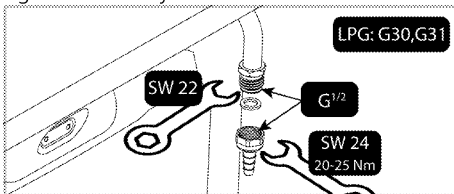
4. You must check for leakage of the connection part after connection.

## Making the gas connection - LPG

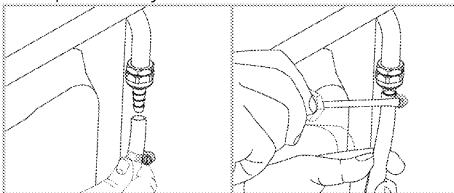
- Your product should be connected in a way that it will be close to the gas connection to prevent gas leakage.
- Before making your gas connection, provide a plastic gas hose and suitable mounting clamp. The inner diameter of the plastic gas hose must be 10 mm and the length should not be longer than 150 cm. The plastic hose must be leak-proof and inspectable.
- Gas appliances and systems must be regularly checked for proper functioning. Regulator, hose and its clamp must be checked regularly and replaced within the periods recommended by its manufacturer or when necessary.
- A new sealing gasket must be used while making the gas connection.
- The gas connection must be made via a gas hose or a fixed connection.

### Connection with gas hose

1. Place the new seal in the connection piece for liquid gas and make sure the seal is seated correctly.
2. Secure the gas connection outlet of the product with a 22 mm spanner, connect the connecting piece to the gas outlet of the product with a 24 mm spanner and tighten securely.



3. Fit the mounting clamp to one end of the gas hose. Soften the end of the gas hose to which you have attached the clamp by placing it in boiling water for one minute.
4. Insert the softened gas hose all the way into the connection piece. Tighten the clamp securely with a screwdriver.



5. You must check for leakage of the connection part after connection.

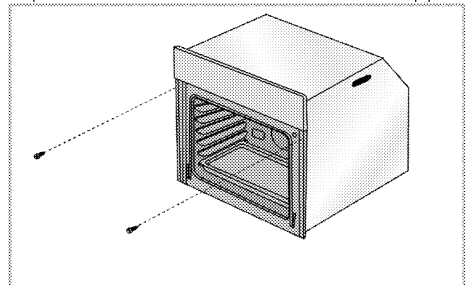
### Leakage check at the connection point

- Make sure that all knobs on the product are turned off. Make sure that the gas supply is open. Prepare soapy foam and apply it onto the connection point of the hose for gas leakage control.
- Soapy part will froth if there is a gas leakage. In this case, inspect the gas connection once again.
- **If your product has two gas hose outlets,** make sure that the unused gas outlet is sealed with a blind plug. Prepare soapy foam and apply it onto the connection point of the blind plug to check for gas leaks. Soapy part will froth if there is a gas leakage. In this case, inspect the blind plug connection again.
- Instead of soap, you can use commercially available sprays for gas leak check.
- If there is gas leak, shut off the gas supply and ventilate the room.

- **i** Never use a match or lighter to make the gas leakage control.

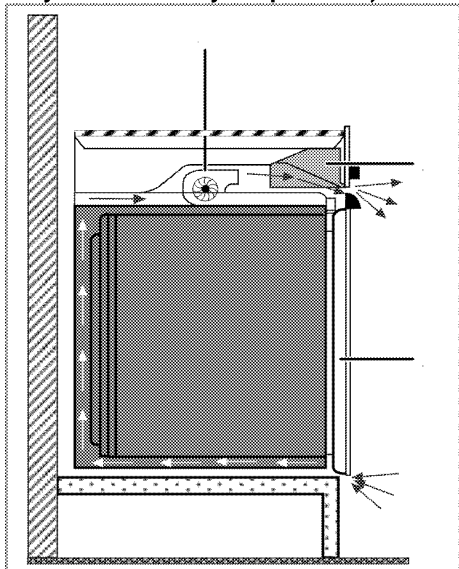
### Installing the product

1. Slide the oven into the cabinet, align and secure it while making sure that the power cable is not broken and/or trapped.



Secure the oven with 2 screws as illustrated. After the installation, make sure that the screws are sufficiently tightened and the oven does not move. Oven may tip over during use if it is not installed as per the instructions and if the screws are not sufficiently tightened.

## For products with cooling fan (This may not exist on your product.)



- 1 Cooling fan
- 2 Control panel
- 3 Door

The built-in cooling fan cools both the built-in cabinet and the front of the product.

The cooling fan will start while operating oven after 10 minutes. Air ventilation will be between oven door and control panel. If it is not working cooling fan might be fault. In case contact with authorized service agency.

- i** Cooling fan continues to operate for about 20-30 minutes after the oven is switched off.

### Final check

1. Operate the product.
2. Check the functions.
3. Open gas supply.
4. Check gas installations for secure fitting and tightness.

- i** Flame must be blue and have a regular shape. If the flame is yellowish, check if the burner cap is seated securely or clean the burner.

## Gas conversion



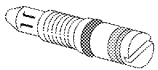

### General warnings

- Before starting any work on the gas installation, disconnect the gas main supply. There is the risk of explosion!
- All gas injectors must be replaced and the burning adjustment of the gas taps must be made in reduced flow rate position in order to make the product suitable for use with another gas.
- After the gas type has been changed, the new gas type label on the spare bag must be applied onto the current label already on the backwall of product.
- The convertible gas type and gas categories of your product by country are given in the "Country gas categories/types/pressure" section. Check the table in this table for the types of gas you can convert in your local area. You cannot convert to unspecified gas types in this table.
- Spare injector suitable for the type of gas you wish to convert may not be supplied with product. You can obtain the injectors from the authorized service or from the place where you purchased the product.
- Injector values and gas types that should be used for burners are given at the end of the section. Make the connection of the gas type to be converted as described in the gas connection section.

### Parts for Gas Conversion

The parts and tools visuals, may be required for the gas conversion are given below.

Depending on the model, these parts may not be given with the product.

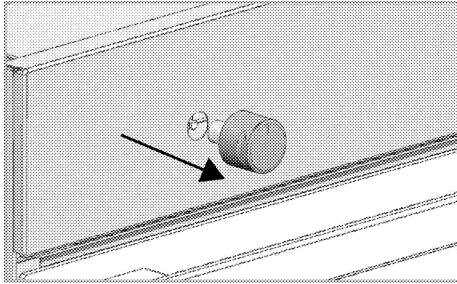
	Bypass nozzle
	Burner injector

### Reduced flow adjustment for the gas oven

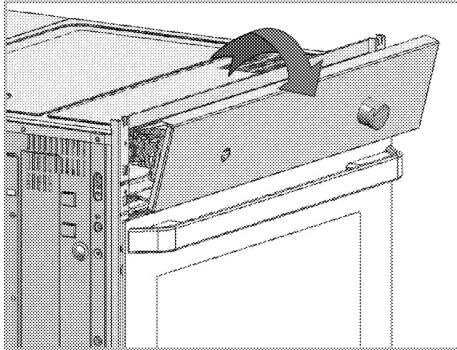
Reduced flow rate adjustment is extremely important for the appropriate functioning of

the oven. In order to provide maximum security to the user these operations have to be done with care.

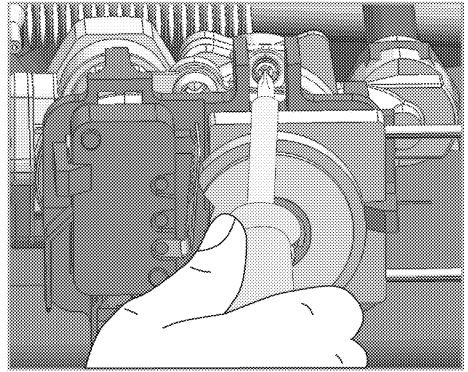
1. Remove the thermostat knob by pulling towards yourself.



2. Unscrew the screws located side the control panel and remove the panel bottom sheet.
3. Release the control panel by releasing it from the two notches and keep it free by taking care of the cable connections.



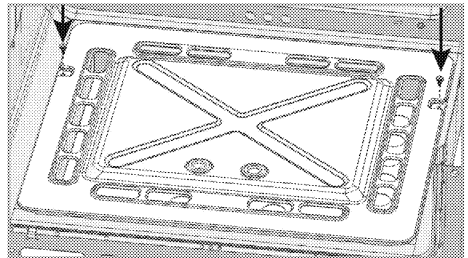
4. Ignite the burner that is to be adjusted and turn the knob to the high flame position. Gas thermostat is allowed to sense the heat. Bring it to idle position and check whether the flame size is reduced.
5. Set the flame length by means of the screw on the oven tap. Turning in clockwise direction reduces the flame, turning anticlockwise increases the flame.



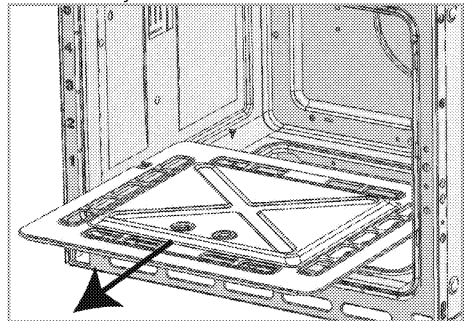
- i** If the temperature of the oven increases excessively, turn off the oven and call the authorised service to have oven thermostat repaired.

### Exchange of injector for the gas oven

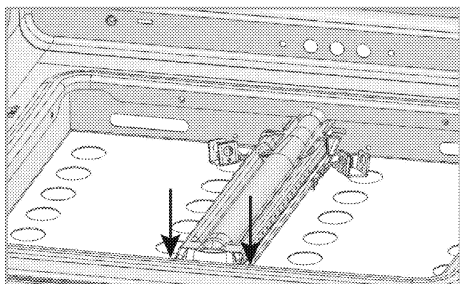
1. Turn all control knobs to off positions on the control panel.
2. Shut off the gas supply.
3. Open oven door.
4. Unscrew the two screws located on oven burner's cover.



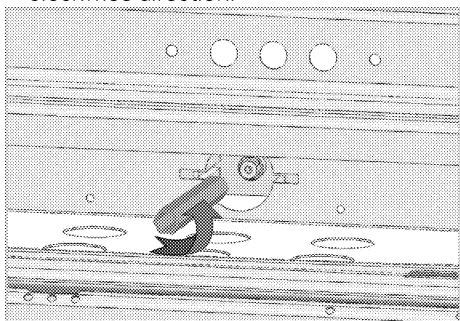
5. Remove oven burner's cover by pulling towards yourself.



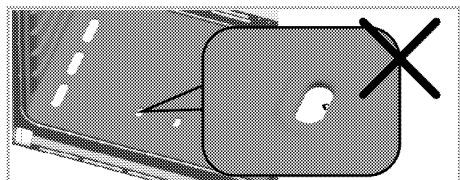
6. Unscrew screws located on oven burner.



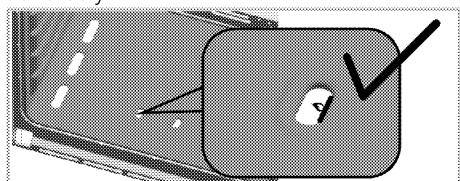
7. Remove the oven burner from housing.
8. Unscrew injector by turning to counter-clockwise direction.



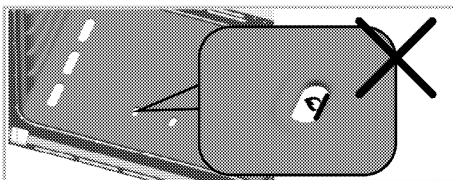
9. Fit new injector.
- Set the flame to optimum length as shown in figure below by means of the screw 1 on the oven tap. Turning clockwise direction reduces the flame, turning counter-clockwise increases the flame.



If the flame is too small,  
\* oven temperature can be too low, thus cooking performance can be affected adversely.



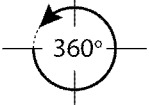
Ideal flame length provides the best performance.



If the flame is too big,  
\* oven temperature can be too high, thus cooking performance can be affected adversely.

- i** After making gas flame adjustment open and close the door repeatedly and make sure that oven flame does not go out.
- i** If the gas type of the unit is changed, then the rating plate that shows the gas type of the unit must also be changed.

<b>Natural gas to Butane/propane (LPG)</b>	<b>Butane/propane (LPG) to Natural Gas (G20 20mbar/ G25 25 mbar / G25.3 25mbar)</b>
Tighten the screw by turning it clockwise until the end.	Loosen the screw 180° (approximately)
<b>Natural gas to Butane/propane (LPG)</b>	<b>Butane/propane (LPG) to Natural Gas (G20 10mbar/ G20 13 mbar)</b>
Tighten the screw by turning it clockwise until the end.	Loosen the screw 270° (approximately)

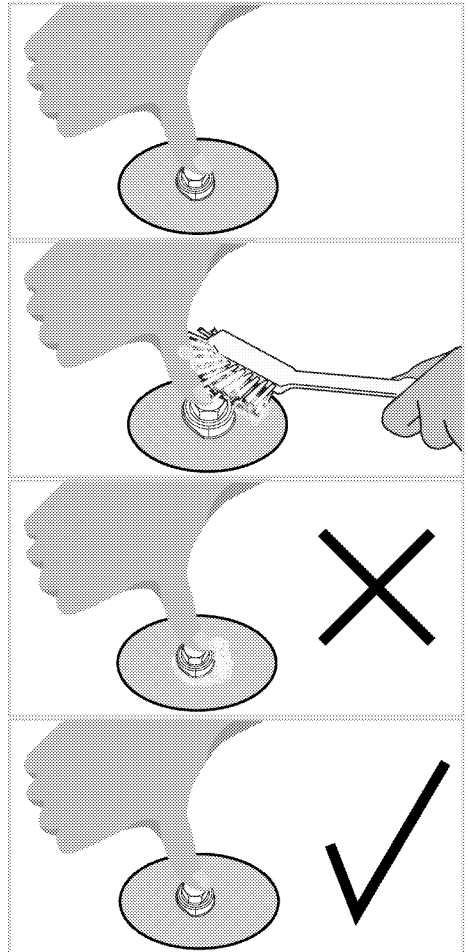
Natural gas to Butane/propane (LPG)	Butane/propane (LPG) to Natural Gas (G2 350 13mbar Poland local gas)
Tighten the screw by turning it clockwise until the end.	Loosen the screw 360° (approximately)
	

**i** Reduced flow adjustment can vary depending on the product, burner and gas type. Make sure flame length is in accordance with the figure above.

### Leakage check at the injectors

Before carrying out the conversion on the product, ensure all control knobs are turned to off position. After the correct conversion of injectors, for each injectors should be gas leak checked.

1. Make sure that the gas supply to the product is on, still maintaining all control knobs turned to off position.
2. Each injector hole is blocked with a finger applying reasonable force to stop the gas leakage when corresponding control knob turned to on and it held at depressed position to allow gas reach the injector.
3. Apply prepared soapy water at the injector connection the soapy water will begin to froth. In this case, tighten the injector with a reasonable force and repeat step 3 process once again.
4. If the froth still persist you must turn off the gas apply to the product immediately and call an Authorised service agent or technician with licence. Do not use the product until the authorized service has intervened in the product.



### Future Transportation

- Keep the product's original carton and transport the product in it. Follow the instructions on the carton. If you do not have the original carton, pack the product in bubble wrap or thick cardboard and tape it securely.
- To prevent the wire grill and tray inside the oven from damaging the oven door, place a strip of cardboard onto the inside of the oven door that lines up with the position of the trays. Tape the oven door to the side walls.
- Do not use the door or handle to lift or move the product.

- i** Do not place any objects onto the product and move it in upright position.
- i** Check the general appearance of your product for any damages that might have occurred during transportation.

## 4 Preparation

### Tips for saving energy

The following information will help you to use your appliance in an ecological way, and to save energy:

- Use dark coloured or enamel coated cookware in the oven since the heat transmission will be better.
- While cooking your dishes, perform a preheating operation if it is advised in the user manual or cooking instructions.
- Do not open the door of the oven frequently during cooking.
- Try to cook more than one dish in the oven at the same time whenever possible. You can cook by placing two cooking vessels onto the wire shelf.
- Cook more than one dish one after another. The oven will already be hot.
- Defrost frozen dishes before cooking them.
- Information on energy efficiency according to EU 66/2014 can be found on the product fiche given with the product.

### Initial use

#### First cleaning of the appliance



The surface might get damaged by some detergents or cleaning materials.

Do not use aggressive detergents, cleaning powders/creams or any sharp objects during cleaning.

Do not use harsh abrasive cleaners or sharp metal scrapers to clean the oven door glass since they can scratch the surface, which may result in shattering of the glass.

1. Remove all packaging materials.
2. Wipe the surfaces of the appliance with a damp cloth or sponge and dry with a cloth.

### Initial heating

Heat up the product for about 30 minutes and then switch it off. Thus, any production residues or layers will be burnt off and removed.



Hot surfaces cause burns!

Product may be hot when it is in use. Never touch the hot burners, inner sections of the oven, heaters and etc. Keep children away.

Always use heat resistant oven gloves when putting in or removing dishes into/from the hot oven.

### Gas oven

1. Take all baking trays and the wire grill out of the oven.
2. Close the oven door.
3. Select the highest flame of the gas oven; see *How to use the gas oven, page 28*.
4. Operate the oven about 30 minutes.
5. Turn off your oven; See *How to use the gas oven, page 28*

### Grill oven

1. Take all baking trays and the wire grill out of the oven.
2. Close the oven door.
3. Select the highest grill power; see *How to operate the grill, page 31*.
4. Operate the grill about 15 minutes.
5. Turn off your grill; see *How to operate the grill, page 31*



Smoke and smell may emit for a couple of hours during the initial operation. This is quite normal. Ensure that the room is well ventilated to remove the smoke and smell. Avoid directly inhaling the smoke and the smell that emits.

## 5 How to operate the oven

### General information on baking, roasting and grilling

- ⚠ Hot surfaces cause burns!  
Product may be hot when it is in use. Never touch the hot burners, inner sections of the oven, heaters and etc. Keep children away.  
Always use heat resistant oven gloves when putting in or removing dishes into/from the hot oven.

- ⚠ Be careful when opening the oven door as steam may escape.  
Exiting steam can scald your hands, face and/or eyes.

### Tips for baking

- Use non-sticky coated appropriate metal plates or aluminum vessels or heat-resistant silicone moulds.
- Make best use of the space on the rack.
- Place the baking mould in the middle of the shelf.
- Select the correct rack position before turning the oven or grill on. Do not change the rack position when the oven is hot.
- Keep the oven door closed.

### Tips for roasting

- Treating whole chicken, turkey and large piece of meat with dressings such as lemon juice and black pepper before cooking will increase the cooking performance.
- It takes about 15 to 30 minutes longer to roast meat with bones when compared to roasting the same size of meat without bones.
- Each centimeter of meat thickness requires approximately 4 to 5 minutes of cooking time.
- Let meat rest in the oven for about 10 minutes after the cooking time is over. The juice is better distributed all over the roast and does not run out when the meat is cut.
- Fish should be placed on the middle or lower rack in a heat-resistant plate.

### Tips for grilling

When meat, fish and poultry are grilled, they quickly get brown, have a nice crust and do not get dry. Flat pieces, meat skewers and sausages are particularly suited for grilling as are vegetables with high water content such as tomatoes and onions.

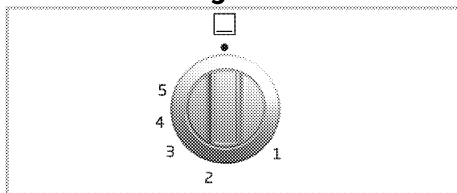
- Distribute the pieces to be grilled on the wire shelf or in the baking tray with wire shelf in such a way that the space covered does not exceed the size of the heater.
- Slide the wire shelf or baking tray with grill into the desired level in the oven. If you are grilling on the wire shelf, slide the baking tray to the lower rack to collect fats. The baking tray to be slid must be of a size that covers the whole grilling area. This tray might not be provided with the product. Add some water in the baking tray for easy cleaning.



Foods that are not suitable for grilling carry the risk of fire. Only grill food which is suitable for intensive grilling heat.

Do not place the food too far in the back of the grill. This is the hottest area and fatty food may catch fire.

### How to use the gas oven



The gas oven is operated by the gas oven control knob. In off position (top) the gas supply is Off.

### Switch on the gas oven

The gas oven is automatically ignited by means of the gas oven control knob.

1. Keep gas oven control knob pressed and turn it **counterclockwise**.

» An ignition spark is generated and the gas is ignited.

2. Keep the gas oven control knob pressed for another 3 to 5 seconds.

3. Be sure that gas has ignited and flame is present.
4. Select the desired baking power/ gas mark.
5. If there is no electricity; ignite the gas with the gas lighter from the ignition control hole.



There is the risk of gas compression and explosion!

Do not attempt to ignite the gas more than 15 seconds. If the burner is not ignited within 15 seconds, turn off the knob and wait for 1 minute.

Ventilate the room before reattempting to ignite the burner.

There is the risk of gas compression and explosion!

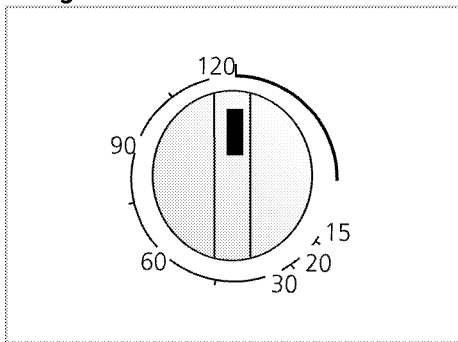
### Switch off the gas oven

1. Turn gas oven control knob to off position (top).

Gas level temperature chart without fan

Gas level	1	2	3	4	5
Temperature in °C	165	175	190	225	280

### Using the clock as an alarm



The alarm clock has no influence on the functions of the oven. It is only used as a warning. For example, this is useful when you want to turn food in the oven at a certain point of time. Alarm clock will give a signal once the time you set is over.

### Setting the alarm clock

1. Turn the Time Adjustment knob clockwise to determine for how long the alarm will sound.

2. The knob will turn counterclockwise at the end of the cooking time and the alarm will sound. Alarm clock does not turn off the oven.



Turn the Function knob counterclockwise to off position to turn off the oven.

### Operating modes

The order of operating modes shown here may be different from the arrangement on your product.

#### Oven lamp



The oven is not heated. Only the oven lamp is turned on.

Possibly, the external cooling fan will also operate to avoid heating of the compartments.

Other functions are for cooking; select suitable temperature for your food.

#### Full grill with turnspit



Full grill and turnspit are in operation. It is suitable for grilling and making rotisserie with large pieces of meat.

## Cooking times table



1st rack of the oven is the **bottom** rack.



Maximum load capacity of oven tray:  
4 kg (8.8 lb).



The timings in this chart are meant as a guide. Timings may vary due to temperature of food, thickness, type and your own preference of cooking.

Stand dishes on a baking sheet to prevent spillages onto oven base and help keep oven clean.

## Baking and roasting - without fan

Food	Accessory to use	Preheating *	Insertion level	Control knob position	Cooking time
Apple pie	Round black metal dish with a diameter of 20 cm on wire grill***	10 min.	4	1...2	60...70 min.
Fruit tart	Round black metal dish with a diameter of 20 cm on wire grill***	10 min.	4	1...2	60...70 min.
Pie	Round black metal dish with a diameter of 20 cm on wire grill***	10 min.	4	1...2	60...70 min.
Cookies	Standard tray**	10 min.	4	1...2	30...40 min.
Pastry	Standard tray**	10 min.	4	3	45...55 min.
Cake	Cake mold on wire grill***	10 min.	4	1...2	50...70min.
Biscuits	Standard tray**	10 min.	4	1...2	30...40 min.
Roast lamb	Standard tray**	10 min.	3...4	15 min. 5 / max. then 3	70...90 min.
Roast Beef	Standard tray**	10 min.	3...4	20 min. 5 / max. then 3	75...90 min.
Turkey	Standard tray**	10 min.	3	20 min. 5 / max. then 3	100...120 min.
Poultry	Standard tray**	10 min.	3	15 min. 5 / max. then 3	90...100 min.
Casseroles	Standard tray**	10 min.	3 ... 4	1...2	90...120 min.
Fish	Standard tray**	10 min.	4	3	35...45 min.
Macaroni	Standard tray**	10 min.	4	1...2	50...60 min.
Victoria sandwich	Standard tray**	10 min.	4	1...2	25...35 min.
Pizza	Standard tray**	10 min.	4	3	20...25 min.

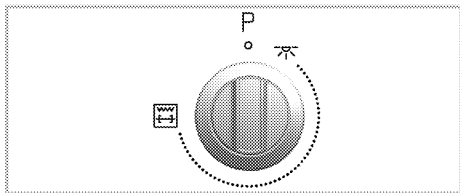
\* at control knob position 5

\*\* These accessories may not supplied with the product.

\*\*\* These accessories are not supplied with the product. They are commercially available accessories.

## How to operate the grill

- ⚠ Close oven door during grilling.  
Hot surfaces may cause burns!



### Switching on the grill

1. Turn the Function knob clockwise to the Grill symbol.
  2. If required, perform a preheating of about 5 minutes.
- » Temperature light turns on.

- i** Do not attempt to turn the Function knob **clockwise** to set it to the Off (upper) position.

### Switching off the grill

1. Turn the Function knob **counterclockwise** to Off (upper) position.

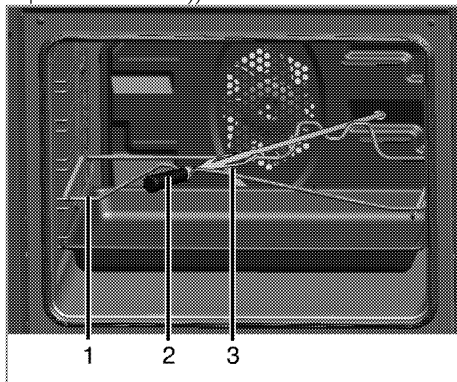
- ⚠ Foods that are not suitable for grilling carry the risk of fire. Only grill food which is suitable for intensive grilling heat.  
Do not place the food too far in the back of the grill. This is the hottest area and fatty food may catch fire.

### Turnspit function

When grill function is selected, turnspit motor will start turning.

- i** The turnspit motor works with the grill function. Once the grill function is operated, the grill heater cuts in and out intermittently. Therefore, while the grill heater is enabled, the turnspit motor runs and when it is disabled the turnspit motor stops likewise. This is not a fault.
- After selecting the Grill function, skewer the meat or chicken onto the spit by means of the fork (3).
- Insert the turnspit into its slot in the rotation motor located at the rear wall of the oven.  
Place the turnspit onto the spit frame.

- Place the frame to the relevant rack of the oven.
- Place a tray to one of the lower racks in order to collect the fats. Put some water into the tray for ease of cleaning.
- **Do not forget to remove the plastic handle of the turnspit. ((Varies depending on the product model.))**
- When cooking completes, attach the plastic handle and remove your food from the oven. ((Varies depending on the product model.))



- 1 Turnspit frame
  - 2 Plastic handle \*
  - 3 Fork
- \* (Varies depending on the product model.)

## Cooking times table for grilling

### Grilling with electric grill

Food	Accessory to use	Rack position	Cooking time (approx. in min.)
Fish	Wire grill	4...5	20...25 min. #
Sliced chicken	Wire grill	4...5	25...35 min.
Lamb chops	Wire grill	4...5	20...25 min.
Roast beef	Wire grill	4...5	25...30 min. #
Veal chops	Wire grill	4...5	25...30 min. #
Toast bread*	Wire grill	4	1...3 min.

# depending on thickness

\*Preheat for 5 minutes

\*\*If the grill temperature of your product cannot be adjusted, the grill will work at the recommended temperature.

Meals in this cooking table are prepared according to EN 60350-1 to make it easier for control institutes to test the product.

Food	Accessory to use	Rack position	Cooking time (approx. in min.)
Toast bread	Wire grill	4	1...3 min.
Meatballs (beef) - 12 pieces	Wire grill	4	25...35 min.

Turn the food after 2/3 of the total grilling time.

It is suggested to perform 5 minutes preheating for all foods broiling.

## 6 Maintenance and care

### General information

Service life of the product will extend and the possibility of problems will decrease if the product is cleaned at regular intervals.

**!** Disconnect the product from mains supply before starting maintenance and cleaning works.

There is the risk of electric shock!

**!** Allow the product to cool down before you clean it.

Hot surfaces may cause burns!

- Clean the product thoroughly after each use. In this way it will be possible to remove cooking residues more easily, thus avoiding these from burning the next time the appliance is used.
- No special cleaning agents are required for cleaning the product. Use warm water with washing liquid, a soft cloth or sponge to clean the product and wipe it with a dry cloth.
- Always ensure any excess liquid is thoroughly wiped off after cleaning and any spillage is immediately wiped dry.
- Do not use cleaning agents that contain acid or chloride to clean the stainless or inox surfaces and the handle. Use a soft cloth with a liquid detergent (not abrasive) to wipe those parts clean, paying attention to sweep in one direction.

**i** The surface might get damaged by some detergents or cleaning materials.

Do not use aggressive detergents, cleaning powders/creams or any sharp objects during cleaning.

Do not use harsh abrasive cleaners or sharp metal scrapers to clean the oven door glass since they can scratch the surface, which may result in shattering of the glass.

**i** Do not use steam cleaners to clean the appliance as this may cause an electric shock.

### Cleaning the control panel

Clean the control panel and knobs with a damp cloth and wipe them dry.

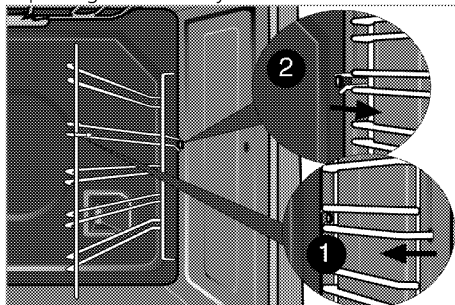
**i** If your product is equipped with buttons/knobs do not remove the control buttons/knobs to clean the control panel.

Control panel may get damaged!

### Cleaning the oven

**To clean the side wall (Varies depending on the product model.) (This feature is optional. It may not exist on your product.)**

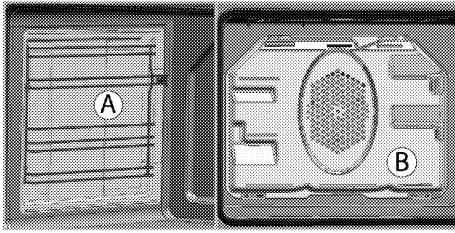
1. Remove the front section of the side rack by pulling it in the opposite direction of the side wall.
2. Remove the side rack completely by pulling it towards you.



### Catalytic walls

**(This feature is optional. It may not exist on your product.)**

The inner side walls (A) and/or the rear wall (B) of your product may be coated with catalytic enamel. Catalytic walls have a light matte colour and a porous surface. Catalytic walls of the oven should not be cleaned. Thanks to their perforated structure, catalytic surfaces absorb grease and once the surface is filled with grease, they start to shine. In this case, it is recommended to replace the parts.



### Clean oven door

To clean the oven door, use warm water with washing liquid, a soft cloth or sponge to clean the product and wipe it with a dry cloth.

Wipe the glass with vinegar and then rinse it against lime residues that may occur on the oven glass.

**i** Don't use any harsh abrasive cleaners or sharp metal scrapers for cleaning the oven door. They could scratch the surface and destroy the glass.

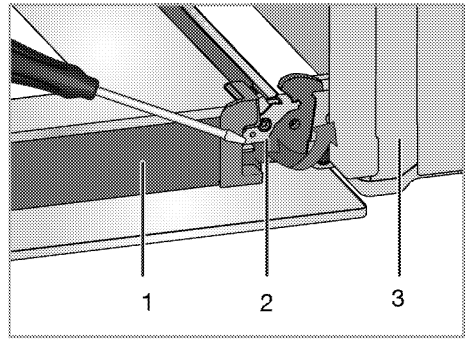
### Cleaning the oven door

**i** Do not use harsh abrasive cleaners, metal scrapers, wire wool or bleach materials to clean the oven door and glass.

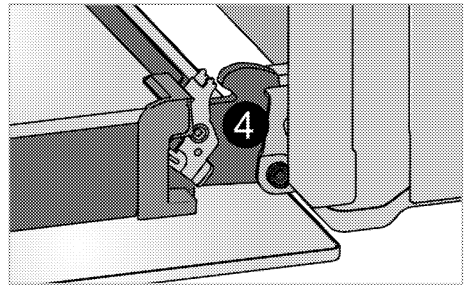
You can remove your oven door and door glasses to clean them. How to remove the doors and windows is explained in the sections "Removing the oven door" and "Removing the inner glasses of the door". After removing the door inner glasses, clean them using a dishwashing detergent, warm water and a soft cloth or sponge and dry them with a dry cloth. Wipe the glass with vinegar and then rinse it against lime residues that may occur on the oven glass.

### Removing the oven door

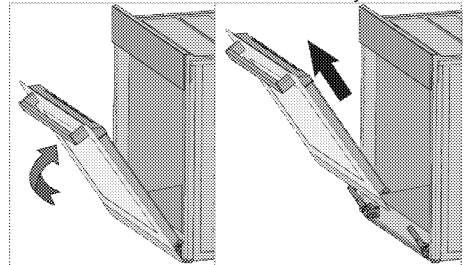
1. Open the front door (1).
2. Open the clips at the hinge housing (2) on the right and left hand sides of the front door by pressing them down as illustrated in the figure.



- 1 Door
- 2 Hinge lock(closed position)
- 3 Oven
- 4 Hinge lock(open position)



3. Move the front door to half-way.



4. Remove the front door by pulling it upwards to release it from the right and left hinges.

**i** Steps carried out during removing process should be performed in reverse order to install the door. Do not forget to close the clips at the hinge housing when reinstalling the door.

## Replacing the oven lamp

**!** Before replacing the oven lamp, make sure that the product is disconnected from mains and cooled down in order to avoid the risk of an electrical shock.

Hot surfaces may cause burns!

**i** In this oven, an incandescent lamp with a power of less than 40 W, a height of less than 60 mm, a diameter of less than 30 mm or a halogen lamp with socket type G9, a power of less than 60 W is used. The lamps are suitable for operation at temperatures above 300 °C. Oven lamps can be obtained from Authorised Service Agents or technician with licence. This product contains a lamp of energy class G.

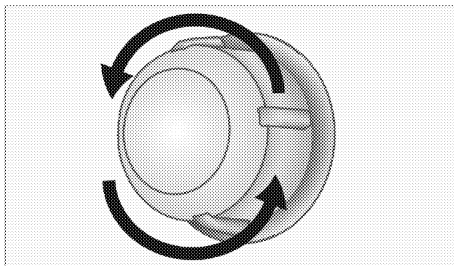
**i** Position of lamp might vary from the figure.

**i** The lamp used in this appliance is not suitable for household room illumination. The intended purpose of this lamp is to assist the user to see foodstuffs.

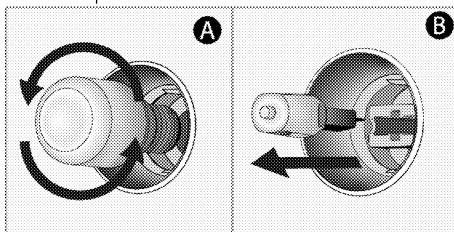
**i** The lamps used in this appliance have to withstand extreme physical conditions such as temperatures above 50 °C.

## If your oven is equipped with a round lamp:

1. Disconnect the product from mains.
2. Turn the glass cover counter clockwise to remove it.



3. If your oven lamp is of type (A) shown in the figure below, remove it by rotating as shown and replace it. If it is of type (B), pull and remove it as shown in the figure and replace it.



4. Install the glass cover.

## 7 Troubleshooting

### **Oven emits steam when it is in use.**

- It is normal that steam escapes during operation. >>> *This is not a fault.*

### **Product emits metal noises while heating and cooling.**

- When the metal parts are heated, they may expand and cause noise. >>> *This is not a fault.*

### **Product does not operate.**

- The mains fuse is defective or has tripped. >>> *Check fuses in the fuse box. If necessary, replace or reset them.*
- Product is not plugged into the (grounded) socket. >>> *Check the plug connection.*

### **There is no ignition spark.**

- No current. >>> *Check fuses in the fuse box.*

### **There is no gas.**

- Main gas valve is closed. >>> *Open gas valve.*
- Gas pipe is bent. >>> *Install gas pipe properly.*



Consult the Authorised Service Agent or technician with licence or the dealer where you have purchased the product if you can not remedy the trouble although you have implemented the instructions in this section. Never attempt to repair a defective product yourself.

Arcelik A.S.

Karaağaç Caddesi No:2-6 Sütlüce, 34445, Turkey

Made in TURKEY

Importer in Russia: «BEKO LLC»

Address: Selskaya street, 49, Fedorovskoe village, Pershinskoe rural settlement, Kirzhach district, Vladimir region, Russian Federation 601021

The manufacture date is included in the serial number of a product specified on rating label, which is located on a product, namely: first two figures of serial number indicate the year of manufacture, and last two \_ the month. For example, "10- 100001-05" indicates that the product was produced in May, 2010.

You can ask for certification number from our Call Center 8-800-200-23-56 The manufacturer reserves the right for making changes in modification, design and specification of an electric device.



**Forno incassato**  
Manuale utente



IT

## Leggere questo manuale utente come prima cosa!

Gentile cliente,

Grazie per aver scelto un apparecchio Beko. Vi auguriamo di ottenere i migliori risultati da questo apparecchio, realizzato con tecnologia di alta qualità e di avanguardia. Pertanto, di leggere questo manuale utente e tutta la documentazione allegata con attenzione prima di usare l'apparecchio e di conservarli per riferimento futuro. Se l'apparecchio viene trasferito ad un'altra persona, bisogna consegnare anche il manuale. Seguire tutte le avvertenze e le informazioni del manuale utente.

Ricordare che questo manuale utente può essere applicabile anche a vari altri modelli. Le differenze tra i modelli sono identificate nel manuale.

### Spiegazione dei simboli

In questo manuale utente si usano i simboli che seguono:



Informazioni importanti o consigli utili sull'uso.



Avvertenza per situazioni pericolose per la vita e la proprietà.



Avvertenza per shock elettrico.



Avvertenza per rischio di incendio.



Avvertenza per superfici calde.



**Arçelik A.Ş.**  
Karaağaç caddesi No:2-6  
34445 Sütlüce/Istanbul/TURKEY  
Made in TURKEY

**1 Istruzioni importanti e avvertenze per sicurezza e ambiente 4**

Sicurezza generale ..... 4  
 Sicurezza quando si lavora con il gas ..... 5  
 Sicurezza elettrica ..... 6  
 Sicurezza del prodotto ..... 7  
 Uso previsto ..... 9  
 Sicurezza dei bambini ..... 10  
 Smaltimento di vecchi prodotti ..... 10  
 Smaltimento del materiale di imballaggio 11

**2 Informazioni generali 12**

Panoramica ..... 12  
 Contenuto della confezione ..... 13  
 Specifiche tecniche ..... 14  
 Tabella iniettori ..... 14

**3 Installazione 16**

Prima della installazione ..... 16  
 Installazione e collegamento ..... 19  
 Conversione del gas ..... 24  
 Smaltimento di vecchi prodotti ..... 27

**4 Preparazioni 28**

Consigli per il risparmio energetico ..... 28  
 Uso iniziale ..... 28  
 Prima pulizia del prodotto ..... 28  
 Riscaldamento iniziale ..... 28

**5 Come utilizzare il forno 29**

Informazioni generali su cottura al forno, cottura arrosto e con grill ..... 29  
 Come utilizzare il forno a gas ..... 29  
 Modalità di funzionamento ..... 30  
 Tabella tempi di cottura ..... 31  
 Come utilizzare il grill ..... 32  
 Tabella tempi di cottura per la cottura con grill ..... 33

**6 Manutenzione e cura 34**

Informazioni generali ..... 34  
 Pulizia del pannello di controllo ..... 34  
 Pulizia del forno ..... 34  
 Pulizia dello sportello del forno ..... 35  
 Sostituzione della lampadina del forno ..... 36

**7 Ricerca e risoluzione dei problemi 37**

## **I Istruzioni importanti e avvertenze per sicurezza e ambiente**

Questa sezione contiene istruzioni per la sicurezza che aiutano a proteggere dal rischio di lesioni personali o danni alla proprietà. La mancata osservanza di queste istruzioni priva la garanzia di validità.

### **Sicurezza generale**

- Questo apparecchio può essere utilizzato da bambini con età superiore agli 8 anni e da persone con capacità fisiche, sensoriali o mentali ridotte, o che manchino di esperienza e conoscenza, purché ricevano la supervisione e le istruzioni sull'uso dell'apparecchio in modo sicuro e comprendano i rischi coinvolti. I bambini non devono giocare con l'apparecchio. Pulizia e manutenzione da parte dell'utente non devono essere eseguite da bambini senza supervisione.
- Questo apparecchio non deve essere utilizzato da persone (compresi i bambini) con capacità fisiche, sensoriali o mentali ridotte, oppure prive di esperienza e

conoscenza, a meno che non ricevano supervisione o istruzioni al riguardo.

I bambini devono essere vigilati affinché non giochino con il dispositivo.

- Se il prodotto viene ceduto a qualcun altro per l'uso personale o per scopi d'uso di seconda mano, fornire anche il manuale utente, le etichette del prodotto e gli altri documenti e parti.
- Le procedure di installazione e riparazione devono essere sempre eseguite da agenti autorizzati per l'assistenza. Il produttore non sarà considerato responsabile dei danni derivanti da procedure eseguite da persone non autorizzate e potrebbe considerare non valida la garanzia. Prima dell'installazione, leggere le istruzioni con attenzione.
- Non utilizzare il prodotto se è difettoso o se presenta danni visibili.
- Controllare che le manopole delle funzioni dell'apparecchio siano disattivate dopo ogni uso.

## Sicurezza quando si lavora con il gas

- Tutti gli interventi su apparecchi e sistemi a gas possono essere eseguiti solo da personale qualificato autorizzato.
- Prima dell'installazione, assicurarsi che le condizioni della distribuzione locale (tipo di gas e pressione del gas) e le regolazioni dell'apparecchio siano compatibili.
- Questo apparecchio non è collegato ad un dispositivo di evacuazione per prodotti a combustione. Deve essere installato e collegato secondo i regolamenti correnti per l'installazione. Bisogna prestare particolare attenzione ai requisiti pertinenti relativi alla ventilazione; Vedere *Prima della installazione, pagina 16*
- **ATTENZIONE:** L'uso di cucine a gas provoca produzione di calore e umidità e prodotti di combustione nell'ambiente in cui sono installate. Assicurare che la cucina sia ben ventilata soprattutto quando l'apparecchio è in uso: mantenere le naturali aperture di ventilazione aperte o installare un dispositivo meccanico di ventilazione (cappa meccanica). L'uso intenso prolungato dell'apparecchio può richiedere una ventilazione aggiuntiva, per esempio aumentare il livello di ventilazione meccanica dove è presente.
- Gli apparecchi e i sistemi a gas devono essere controllati regolarmente per un funzionamento corretto. Regolatore, flessibile e relativo morsetto devono essere controllati regolarmente e sostituiti secondo i periodi consigliati dai produttori o quando necessario.
- Pulire regolarmente i bruciatori a gas. Le fiamme devono essere blu e bruciare in modo uniforme.
- Questo prodotto dovrebbe essere usato in un ambiente che include un rilevatore di monossido di carbonio regolato e funzionante. Assicurati che il rilevatore di monossido di carbonio funzioni adeguatamente e che la sua manutenzione sia effettuata frequentemente. Il rilevatore di monossido di carbonio deve essere

installato a 2 metri al massimo dal prodotto.

- Una buona combustione è necessaria negli apparecchi a gas. In caso di combustione non completa, può svilupparsi monossido di carbonio (CO). Il monossido di carbonio non ha colore, odore ed è un gas molto tossico che ha effetti letali anche a piccole dosi.
- Richiedere informazioni sui numeri di telefono di emergenza per il gas e sulle misure di sicurezza in caso di odore di gas al proprio fornitore locale di gas.
- Le condizioni e i valori per la regolazione del gas di questo prodotto sono riportati sulla targhetta di classificazione/tipo.

### **Cosa fare quando si sente odore di gas**

- Non usare fiamme libere o non fumare. Non azionare i tasti elettrici (per es. luci, campanello di ingresso, ecc.). Non usare un telefono o un cellulare. Rischio di esplosione e intossicazione!
- Aprire porte e finestre.
- Chiudere tutte le valvole sugli apparecchi e sui contatori del gas.

- Controllare tutti i tubi e i collegamenti per verificarne la tenuta. Se si sente ancora odore di gas, lasciare l'appartamento.
- Avvisare i vicini.
- Chiamare i pompieri. Usare un telefono fuori dalla casa.
- Non entrare di nuovo finché non si riceve comunicazione sulla sicurezza.

### **Sicurezza elettrica**

- In caso di guasti all'apparecchio, non utilizzarlo a meno che non venga riparato da un agente autorizzato per l'assistenza. C'è il rischio di shock elettrico!
- Collegare l'apparecchio solo ad una presa messa a terra/linea con tensione e protezione secondo quanto specificato in "Specifiche tecniche". Far eseguire la messa a terra da un elettricista qualificato quando si usa il prodotto con o senza un trasformatore. La nostra azienda non sarà responsabile di problemi derivanti dall'uso dell'apparecchio senza messa a terra conforme ai regolamenti locali.

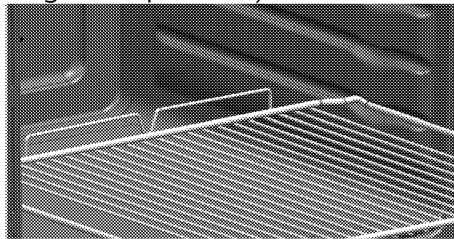
- Non lavare mai l'apparecchio spargendo o versando acqua su di esso! C'è il rischio di shock elettrico!
  - Non toccare mai la spina con le mani bagnate! Non scollegare mai tirando dal cavo, tirare sempre dalla presa.
  - L'apparecchio deve essere scollegato durante le procedure di installazione, manutenzione, pulizia e riparazione.
  - Se il cavo di alimentazione dell'apparecchio è danneggiato, deve essere sostituito dal produttore, da un agente per l'assistenza o da persona similmente qualificata, per evitare rischi.
  - L'apparecchio deve essere installato in modo che possa essere completamente scollegato dalla rete. La separazione deve essere garantita da una presa di rete o da un interruttore integrato nell'installazione elettrica fissa, secondo i regolamenti di costruzione.
  - La superficie posteriore del forno diventa calda durante l'uso. Assicurarsi che il collegamento gas/elettrico non sia in contatto con la superficie posteriore; altrimenti, i collegamenti possono danneggiarsi.
  - Non intrappolare il cavo di rete tra lo sportello del forno e la struttura e non farlo passare su superfici calde. Altrimenti, l'isolamento del cavo si può fondere e provocare un incendio come risultato del corto circuito.
  - Tutti gli interventi su apparecchi e sistemi elettrici possono essere eseguiti solo da personale qualificato e autorizzato.
  - In caso di danni, spegnere il prodotto e scollegarlo dalla rete. Per farlo, disattivare il fusibile domestico.
  - Assicurarsi che la corrente del fusibile sia compatibile con il prodotto.
- Sicurezza del prodotto**
- **AVVERTENZA:** Questo apparecchio e le parti accessibili diventano caldi durante l'uso. Bisogna prestare attenzione a evitare di toccare gli elementi che si riscaldano. I bambini di età inferiore agli 8 anni devono essere tenuti lontani a meno che non ricevano continua supervisione.
  - Non usare mai il prodotto quando giudizio e

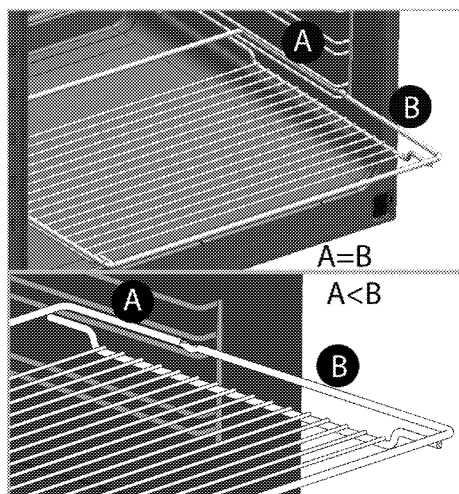
coordinazione sono danneggiati dall'uso di alcool e/o droghe.

- Prestare attenzione quando si usano bevande alcoliche nei piatti. L'alcool evapora ad alte temperature e può provocare incendi poiché prende fuoco a contatto con superfici calde.
- Non mettere materiali infiammabili vicini al prodotto poiché i lati possono diventare caldi durante l'uso.
- Durante l'uso l'apparecchio diventa caldo. Bisogna prestare attenzione a evitare di toccare gli elementi che si riscaldano all'interno del forno.
- Tenere tutte le aperture di ventilazione libere da ostruzioni.
- Non riscaldare lattine chiuse e barattoli di vetro nel forno. La pressione che si può creare in contenitore/barattolo può farli esplodere.
- Non mettere vassoi per la cottura al forno o fogli di alluminio direttamente sul fondo del forno. L'accumulo di calore può danneggiare il fondo del forno.
- Non usare agenti pulenti abrasivi o raschietti duri in

metallo per pulire il vetro dello sportello del forno poiché potrebbero graffiare la superficie rovinando il vetro.

- Non usare pulitori a vapore per pulire l'apparecchio poiché ciò potrebbe provocare uno shock elettrico.
- (Varia a seconda del modello dell'apparecchio.) Inserimento corretto della griglia e delle teglie E' importante inserire la griglia e/o la teglia nelle rastrelliere laterali in maniera corretta. Far scivolare la griglia e/o la teglia sulle rastrelliere laterali verificandone la stabilità prima di posizionare le pietanze al di sopra (vedi immagine esplicativa di seguito riportata)





- Non usare il prodotto con il vetro dello sportello anteriore rimosso o lesionato.
- Usare sempre guanti resistenti al calore quando si mettono o si rimuovono i piatti nel/dal forno caldo.
- Mettere la carta da forno nella pentola o nell'accessorio da forno (vassoio, grill, ecc.) assieme agli alimenti e poi inserire tutto nel forno pre-riscaldato. Togliere le parti in eccesso della carta da forno che fuoriescono dall'accessorio o dalla pentola per evitare il rischio che tocchino gli elementi di riscaldamento del forno. Non utilizzare mai la carta da forno a una temperatura operativa superiore al valore indicato per la carta da forno. Non

mettere la carta da forno direttamente sulla base del forno.

- **AVVERTENZA:** Controllare che il cavo di alimentazione dell'apparecchio sia scollegato o che l'interruttore sia spento prima di sostituire la lampadina, per evitare la possibilità di scarica elettrica.
- Il dispositivo non deve essere installato dietro a porte decorative, così da evitarne il surriscaldamento.

Per l'affidabilità antincendio dell'apparecchio:

- Assicurarsi che la spina si adatti bene alla presa e che non provochi scintille.
- Non utilizzare cavi danneggiati, tagliati o prolunghe: utilizzare solo il cavo originale.
- Assicurarsi che non vi sia liquido o umidità sulla presa quando viene collegata all'apparecchio.
- Assicurarsi che il collegamento del gas sia installato e che non vi siano perdite di gas.

### Usò previsto

- Questo prodotto è progettato per uso domestico. L'uso commerciale non è ammesso.

- **ATTENZIONE:** Questo apparecchio serve solo per cucinare. Non deve essere usato per altri scopi, per esempio riscaldare l'ambiente
- Questo prodotto non deve essere usato per riscaldare piatti sotto al grill, asciugare asciugamani, panni per piatti, ecc. appesi sulle maniglie, né per riscaldare.
- Il produttore non sarà responsabile per danni provocati da uso o gestione non corretti.
- Il forno può essere usato per scongelare, cuocere al forno, arrostitire e cuocere con il grill gli alimenti.

### **Sicurezza dei bambini**

- **AVVERTENZA:** Le parti accessibili possono diventare calde durante l'uso. I bambini devono essere tenuti lontani.
- I materiali di imballaggio sono pericolosi per i bambini. Tenere i bambini lontani dai materiali di imballaggio. Smaltire tutte le parti dell'imballaggio secondo gli standard ambientali.
- Gli apparecchi elettrici e/o a gas sono pericolosi per i bambini. Tenere i bambini

lontano dall'apparecchio mentre è in uso e non lasciarli giocare con lo stesso.

- È disponibile una protezione aggiuntiva per evitare il contatto con lo sportello del forno. Questa parte deve essere montata quando vi è la presenza probabile di bambini.
- Non mettere sopra all'apparecchio alcun oggetto che possa essere raggiunto dai bambini.
- Quando lo sportello è aperto, non caricare sopra oggetti pesanti e non lasciare che i bambini vi si siedano sopra. Lo sportello potrebbe capovolgersi o i cardini dello stesso potrebbero danneggiarsi.

### **Smaltimento di vecchi prodotti**

#### **Conformità alla direttiva WEEE e allo smaltimento dei rifiuti:**



Questo apparecchio è conforme alla Direttiva UE WEEE (2012/19/EU). Questo apparecchio riporta il simbolo di classificazione per i rifiuti delle apparecchiature elettriche ed elettroniche (WEEE).

Questo apparecchio è stato realizzato con parti e materiali di alta qualità che possono essere riutilizzati e sono adatti ad essere riciclati. Non smaltire i rifiuti dell'apparecchio con i normali rifiuti domestici e gli altri rifiuti alla fine della vita

di servizio. Portarlo al centro di raccolta per il riciclaggio di apparecchiature elettriche ed elettroniche. Consultare le autorità locali per conoscere la collocazione di questi centri di raccolta.

**Conformità alla Direttiva RoHS:**

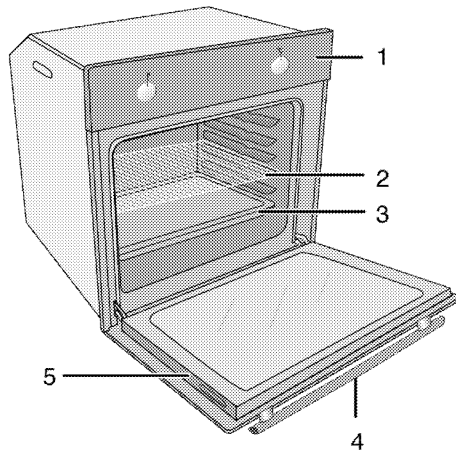
L'apparecchio acquistato è conforme alla Direttiva UE RoHS (2011/65/EU). Non contiene materiali pericolosi o proibiti specificati nella Direttiva.

**Smaltimento del materiale di imballaggio**

- I materiali di imballaggio sono pericolosi per i bambini. Tenere i materiali di imballaggio in un luogo sicuro, fuori dalla portata dei bambini. I materiali di imballaggio del prodotto sono realizzati con materiali riciclabili. Smaltirli in modo corretto e dividerli secondo le istruzioni per i rifiuti riciclabili. Non smaltirli con i normali rifiuti domestici.

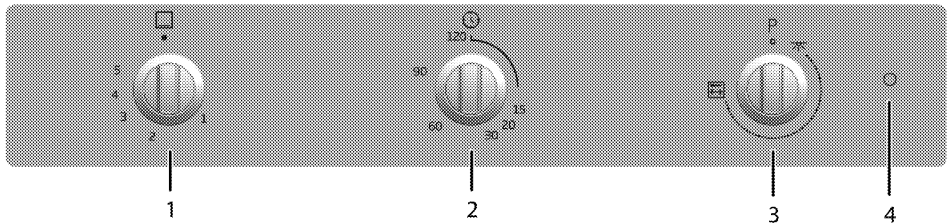
## 2 Informazioni generali

### Panoramica



- 1 Pannello di controllo
- 2 Ripiano metallico
- 3 Vassoio

- 4 Maniglia
- 5 Sportello



- 1 Manopola forno
- 2 Timer meccanico
- 3 Manopola funzioni grill
- 4 Spia avvertenza

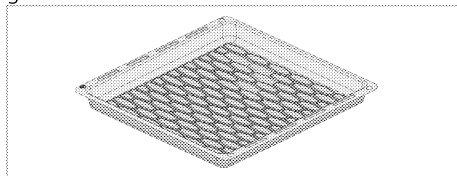
## Contenuto della confezione

**i** Gli accessori in dotazione possono variare a seconda del modello del prodotto. Non tutti gli accessori descritti nel manuale utente potrebbero esistere con il prodotto acquistato.

### 1. Manuale utente

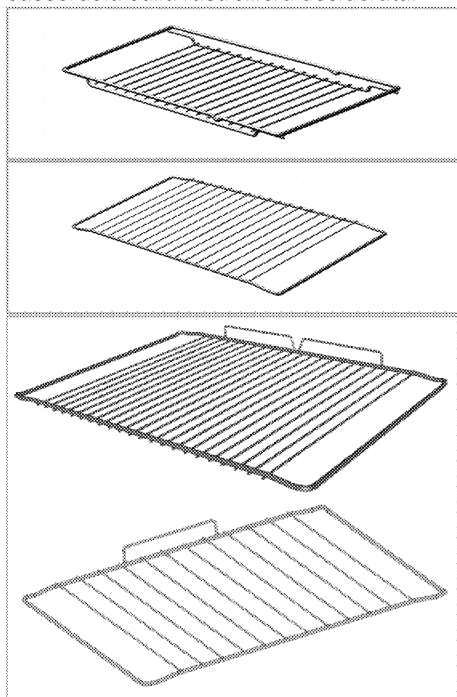
### 2. Vassoio standard

Usato per dolci, alimenti congelati e grandi arrosti.



### 3. Grill metallico

forno, da arrostire o piatti da cuocere in casseruola sulla rastrelliera desiderata.

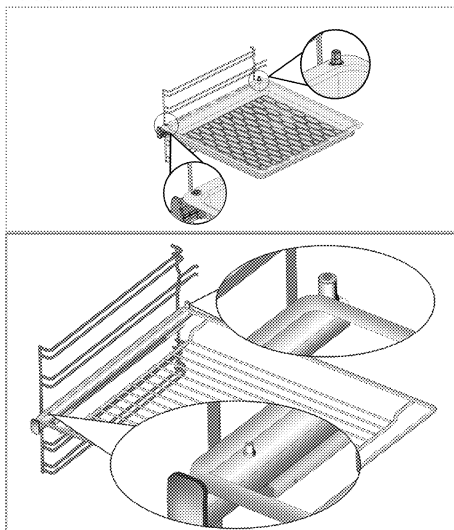


### 4. Posizionare in modo corretto ripiano metallico e vassoio sulle rastrelliere telescopiche

**(Questa funzione è opzionale. Potrebbe non essere sul prodotto acquistato).**

Le rastrelliere telescopiche consentono di installare e rimuovere facilmente i vassoi e il ripiano metallico.

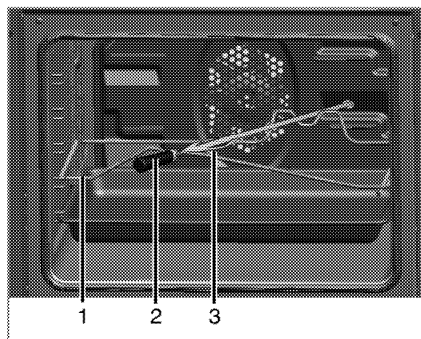
Quando si usa il vassoio e il ripiano metallico con le rastrelliere telescopiche, assicurarsi che i perni della sezione posteriore della rastrelliera telescopica siano contro i bordi di grill metallico e vassoio.



### 5. Pollo "Rotisserie"

Usato per cuocere con grill carne, pollo e pesce, in modo uniforme da tutti i lati.

- Fissare al girarrosto gli alimenti da cuocere con il grill con le forchette.
- Mettere la struttura del girarrosto nel forno allineandolo con la guida del girarrosto stesso.
- Inserire il bordo tagliente del girarrosto nella guida dello stesso e posizionare il girarrosto sulla relativa struttura.
- Rimuovere la maniglia del girarrosto durante la cottura con grill.



- 1 Struttura del girarrosti
  - 2 Maniglia di plastica \*
  - 3 Forchetta
- \* (Varia a seconda del modello dell'apparecchio.)

**i** Si consiglia di non utilizzare vassoi e griglie a contatto diretto con gli alimenti.

## Specifiche tecniche

Tensione/frequenza	220-240 V ~ 50 Hz
Consumo energetico totale	2.25 kW
Tipo/sezione cavo	min.H05VV-FG 3 x 1,5 mm <sup>2</sup>
Categoria di prodotto a gas	Cat II 2H3+ / Cat II 2H3B/P
Tipo di gas installato/pressione del prodotto	G20, 20 mbar/
Consumo totale gas	2.3 kW
Conversione del tipo di gas/pressione <sup>S</sup> _ opzionale	G30, 28-30 mbar/ G31, 37 mbar/ - G20, 13 mbar/ - G20, 10 mbar
Dimensioni esterne (altezza/larghezza/profondità)	595 mm/594 mm/567 mm
Dimensioni installazione (altezza/larghezza/profondità)	**590 o 600 mm/560 mm/min. 570 mm
Forno principale	<b>Forno a gas</b>
Lampadina interna	15/25 W
Consumo energetico grill	2.2 kW
Consumo gas del forno	2.3 kW

\*\* Vedere *Installazione*, pagina 16.

**i** Le specifiche tecniche potrebbero essere modificate senza preavviso per migliorare la qualità del prodotto.

**i** Le figure in questo manuale sono schematiche e potrebbero non corrispondere esattamente al prodotto.

**i** I valori dichiarati sulle etichette del prodotto o nella documentazione che lo accompagna si ottengono in condizioni di laboratorio secondo gli standard relativi. A seconda delle condizioni di funzionamento e ambientali del prodotto, questi valori potrebbero variare.

## Tabella iniettori

Tipo di gas/pressione del gas	Forno a gas
G 20/10 mbar	130
G 20/13 mbar	128
G 20/20 mbar	110
G 30/28-30 mbar	75
G 31/ 37 mbar	75

Potete acquistare gli ugelli non inclusi nel prodotto da voi acquistato contattando l'assistenza postvendita autorizzata.


### Categorie/tipi/pressione di gas del paese


Nella tabella seguente è possibile trovare il tipo di gas, la pressione e la categoria di gas che può essere utilizzata per il paese in cui verrà installato il prodotto.


CODICI PAESE	CATEGORIA		TIPO DI GAS E PRESSIONE			
FR	Cat II	2E+3+	G20,20 mbar	G25,25 mbar	G30,28 30 mbar	G31,37 mbar
BE	Cat II	2E+3+	G20,20 mbar	G25,25 mbar	G30,28 30 mbar	G31,37 mbar
RU	Cat II	2H3B/P	G20,20 mbar	G30,30 mbar	G20,13 mbar	G20,10 mbar
CZ	Cat II	2H3+	G20,20 mbar	G30,28 30 mbar	G31,37 mbar	
NL	Cat II	2E(43.46 - 45.3 MJ/m3 (0°C))3B/P	G25.3,25 mbar	G20,20 mbar	G30,30 mbar	
	Cat II	2L3B/P	G25,25 mbar	G20,20 mbar	G30,30 mbar	
GB	Cat II	2H3+	G20,20 mbar	G30,28 30 mbar	G31,37 mbar	
IE	Cat II	2H3+	G20,20 mbar	G30,28 30 mbar	G31,37 mbar	
ES	Cat II	2H3+	G20,20 mbar	G30,28 30 mbar	G31,37 mbar	
PT	Cat II	2H3+	G20,20 mbar	G30,28 30 mbar	G31,37 mbar	
CH	Cat II	2H3+	G20,20 mbar	G30,28 30 mbar	G31,37 mbar	
IT	Cat II	2H3+	G20,20 mbar	G30,28 30 mbar	G31,37 mbar	
SK	Cat II	2H3+	G20,20 mbar	G30,28 30 mbar	G31,37 mbar	
CY	Cat II	2H3+	G20,20 mbar	G30,28 30 mbar	G31,37 mbar	
SI	Cat II	2H3+	G20,20 mbar	G30,28 30 mbar	G31,37 mbar	
GR	Cat II	2H3+	G20,20 mbar	G30,28 30 mbar	G31,37 mbar	
PL	Cat II	2ELS3B/P	G20,20 mbar	G2.350,13 mbar	G30,37 mbar	
	Cat II	2E3P(B/P)	G20,20 mbar	G30,37 mbar		
DE	Cat II	2E3B/P	G20,20 mbar	G30,50 mbar		
AT	Cat II	2H3B/P	G20,20 mbar	G30,50 mbar		
SE	Cat II	2H3B/P	G20,20 mbar	G30,30 mbar		
LT	Cat II	2H3B/P	G20,20 mbar	G30,30 mbar		
NO	Cat II	2H3B/P	G20,20 mbar	G30,30 mbar		
RO	Cat II	2H3B/P	G20,20 mbar	G30,30 mbar		
DK	Cat II	2H3B/P	G20,20 mbar	G30,30 mbar		
EE	Cat II	2H3B/P	G20,20 mbar	G30,30 mbar		
MA	Cat II	2H3B/P	G20,20 mbar	G30,30 mbar		
FI	Cat II	2H3B/P	G20,20 mbar	G30,30 mbar		
HR	Cat II	2H3B/P	G20,20 mbar	G30,30 mbar		
TR	Cat II	2H3B/P	G20,20 mbar	G30,30 mbar		
MT	Cat I	3B/P	G30,30 mbar			
IS	Cat I	2H	G20,20 mbar			
LV	Cat I	2H	G20,20 mbar			
LU	Cat I	2E	G20,20 mbar			
BG	Cat I	2H	G20,20 mbar			
	Cat I	3B/P	G30,30 mbar			
HU	Cat I	2H	G20,25 mbar			
	Cat I	3B/P	G30,30 mbar			

### 3 Installazione

Il prodotto deve essere installato da una persona qualificata secondo i regolamenti in vigore. Altrimenti la garanzia non sarà valida. Il produttore non sarà considerato responsabile dei danni derivanti da procedure eseguite da persone non autorizzate e potrebbe considerare non valida la garanzia.



 La preparazione della posizione e l'installazione elettrica e del gas per il prodotto è responsabilità del cliente.

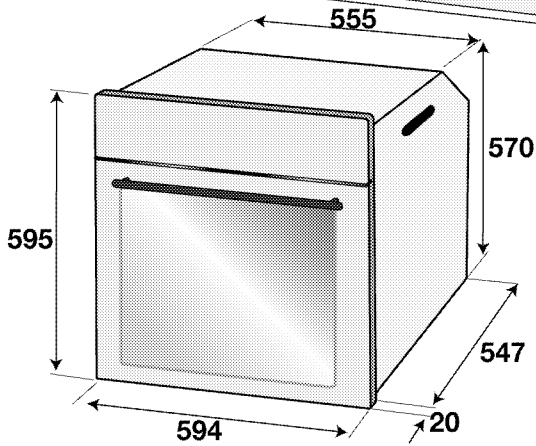
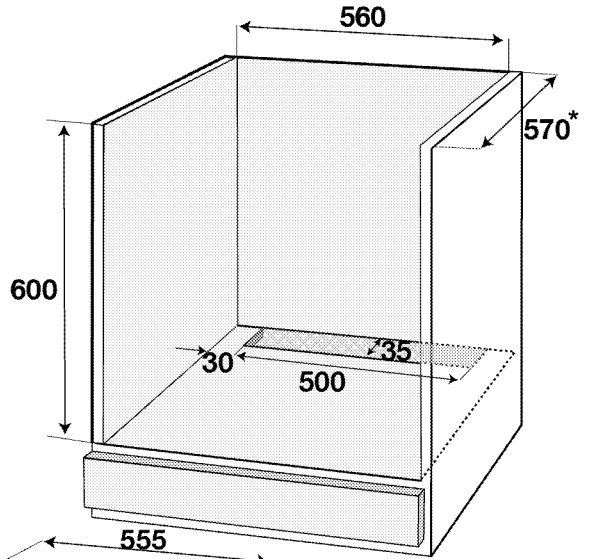
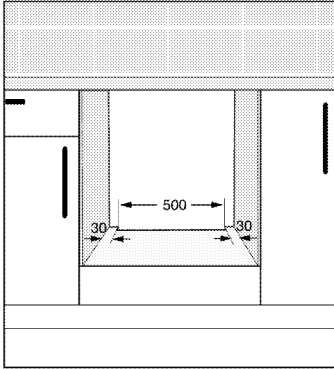
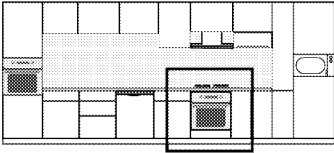
 Il prodotto deve essere installato secondo i regolamenti locali per il gas e/o elettrici.

 Prima dell'installazione, controllare visivamente se il prodotto presenta difetti. Se è così, non installarlo. Prodotti danneggiati provocano rischi per la sicurezza.

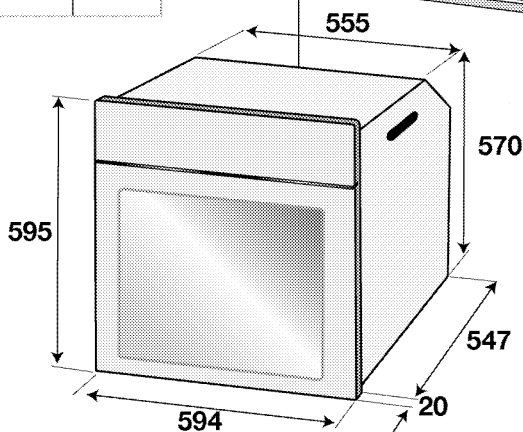
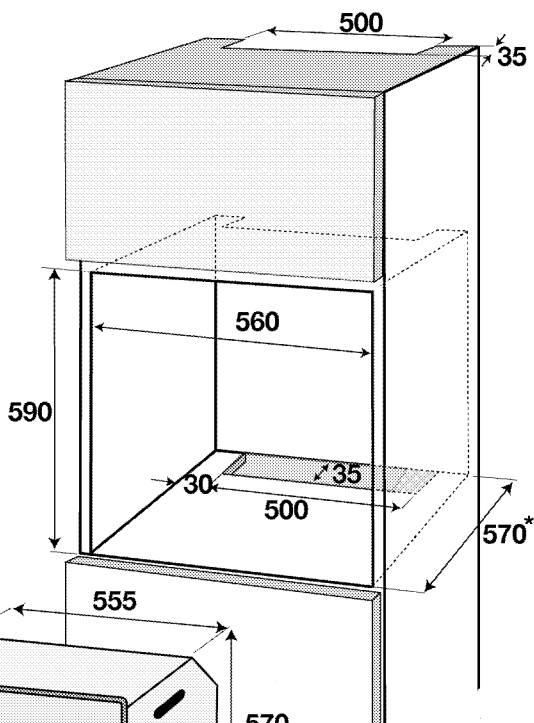
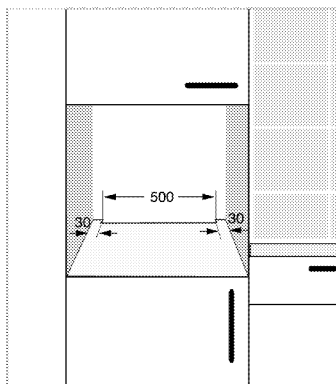
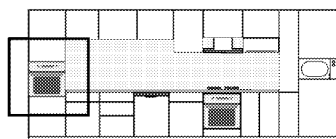
#### Prima della installazione

L'apparecchio è destinato ad essere installato in alloggiamenti da cucina disponibili in commercio. Bisogna porre un dispositivo di sicurezza tra l'apparecchio e le pareti e i mobili della cucina. Vedere la figura (valori in mm).

- Superfici, laminati sintetici e adesivi usati devono essere resistenti al calore (100 °C minimo).
  - Gli alloggiamenti da cucina devono essere a livello uniforme e fissi.
  - Se c'è un cassetto sotto al forno, bisogna installare un ripiano tra il forno e il cassetto.
  - Trasportare l'apparecchio con almeno due persone.
  - Tenere il forno dalle aperture per maneggiarlo su entrambi i lati al fine di spostarlo.
  - Prima di installare il prodotto, rimuovere tutti i materiali e i documenti all'interno.
  - I mobili della cucina devono essere conformi alle dimensioni indicate nella figura seguente. Nella parte posteriore del mobile della cucina, deve essere ritagliata un'apertura delle dimensioni indicate nella figura seguente per garantire una ventilazione sufficiente.
  - Questo prodotto è un dispositivo di classe 3 secondo la norma EN 30-1-1.
-  Non installare l'apparecchio vicino ad un frigorifero o congelatore. Il calore emesso dall'apparecchio porta ad un accresciuto consumo energetico da parte delle unità di raffreddamento.
-  Non usare sportello e/o maniglia per portare o spostare il prodotto.



\* min.



\* min.

### Ventilazione ambiente

Tutti gli ambienti richiedono una finestra apribile o equivalente, e alcune stanze richiedono anche un'apertura fissa. L'aria per la combustione viene presa dall'aria dell'ambiente e i gas di scarico sono emessi direttamente nell'ambiente. Una buona ventilazione è essenziale per il funzionamento sicuro dell'apparecchio.

**Ambienti con porte e/o finestre che si aprono direttamente verso l'ambiente esterno**

Le porte e/o le finestre che si aprono direttamente verso l'ambiente esterno devono avere una apertura di ventilazione totale delle dimensioni specificate nella tabella che segue, che si basa sulla potenza totale del gas dell'apparecchio (il consumo totale di gas dell'apparecchio è mostrato nella tabella con le specifiche tecniche di questo manuale utente). Se le porte e/o le finestre non hanno un'apertura per la ventilazione totale corrispondente al consumo totale di gas dell'apparecchio specificata nella tabella che segue, deve

esserci obbligatoriamente una apertura fissa aggiuntiva per la ventilazione dell'ambiente in modo da assicurare che i requisiti di ventilazione minima totale per il consumo di gas totale siano rispettati. L'apertura fissa per la ventilazione può includere aperture per mattoni forati esistenti, dimensione del condotto della cappa, ecc.

Consumo totale gas (kW)	Apertura min. di ventilazione (cm <sup>2</sup> )
0-2	100
2-3	120
3-4	175
4-6	300
6-8	400
8-10	500
10-11,5	600
11,5-13	700
13-15,5	800
15,5-17	900
17-19	1000
19-24	1250

### **Ambienti che non hanno porte e/o finestre che si aprono direttamente verso l'ambiente esterno**

Se l'ambiente in cui l'apparecchio è installato non ha una porta e/o una finestra che si apre direttamente verso l'ambiente esterno, bisogna cercare altri prodotti che garantiscano con certezza una apertura fissa per la ventilazione che non possa essere regolata né chiusa, conforme ai requisiti minimi per la ventilazione totale per il consumo totale di gas dell'apparecchio, secondo quanto indicato nella tabella sopra. Bisogna seguire anche i requisiti previsti dalle norme appropriate per l'edilizia.

Se una stanza o uno spazio interno contiene più di un apparecchio a gas, un'area aggiuntiva per la ventilazione deve essere garantita come requisito fondamentale della tabella suddetta. La grandezza dell'area aggiuntiva per la ventilazione deve essere appropriata alle norme relative agli altri apparecchi a gas.

Ci deve anche essere una distanza minima di 10 mm dal bordo inferiore della porta che

si apre sull'ambiente interno della stanza in cui viene installato l'apparecchio. Bisogna assicurare che oggetti, come tappeti e altre coperture per il pavimento, non intacchino la distanza quando la porta è chiusa.

Il piano cottura può essere posizionato in cucina, in cucina/sala da pranzo o in una camera da letto ma non in un ambiente che contenga una vasca o una doccia. Il piano cottura non deve essere installato in una camera da letto di meno di 20 m.<sup>3</sup>

Non installare questo apparecchio in un ambiente sottoterra a meno che non sia aperto all'aria da almeno un lato.

### **Installazione e collegamento**

- L'unità può essere installata e collegata solo secondo le norme legali sulla installazione.

### **Collegamento elettrico**

Collegare il prodotto ad una presa messa a terra/linea protetta da un mini interruttore di circuito della capacità adatta, dichiarata nella tabella "Specifiche tecniche". Far eseguire la messa a terra da un elettricista qualificato quando si usa il prodotto con o senza un trasformatore. La nostra azienda non sarà responsabile di danni derivanti dall'uso del prodotto senza una installazione di messa a terra conforme ai regolamenti locali.



L'apparecchio deve essere collegato alla rete elettrica solo da una persona autorizzata e qualificata. Il periodo di garanzia dell'apparecchio comincia solo dopo la corretta installazione. Il produttore non sarà considerato responsabile dei danni derivanti da procedure eseguite da persone non autorizzate.



Il cavo di alimentazione non deve essere schiacciato, piegato o bloccato né deve venire in contatto con le parti calde dell'apparecchio. Un cavo di alimentazione danneggiato deve essere sostituito da un elettricista qualificato. Altrimenti c'è rischio di shock elettrico, cortocircuito o incendio!

- Il collegamento deve essere conforme ai regolamenti nazionali.
- I dati sull'alimentazione di rete devono corrispondere ai dati specificati sull'etichetta con il tipo dell'unità. Aprire lo sportello anteriore per vedere l'etichetta con il tipo.
- Il cavo di alimentazione dell'unità deve essere conforme ai valori della tabella "Specifiche tecniche".



Prima di cominciare un lavoro sull'installazione elettrica, scollegare il prodotto dall'alimentazione di rete. C'è il rischio di shock elettrico!



Il cavo di alimentazione deve essere facilmente raggiungibile dopo l'installazione (non farlo correre sopra al piano cottura).



Mentre si esegue il cablaggio, bisogna applicare le normative nazionali/locali ed utilizzare la linea/uscita per la presa e la spina appropriate per il forno. Se i limiti di alimentazione dell'apparecchio sono al di fuori della capacità di spina e uscita/linea della presa, l'apparecchio deve essere collegato direttamente attraverso una installazione elettrica fissa senza utilizzare spina e uscita/linea della presa.

Inserire il cavo di alimentazione nella presa.

## Collegamento al gas



### Avvertenze generali

- Qualora le operazioni di installazione, riparazione o collegamento vengano effettuate da persone o tecnici non autorizzati, non certificati o non qualificati,

sussiste il rischio di esplosione, incendio e intossicazione.

- Prima di mettere il prodotto in posizione, accertarsi delle condizioni di distribuzione locali (tipo e pressione del gas) e che l'impostazione del gas del prodotto sia conforme a tali condizioni. Le condizioni e i valori di regolazione del gas del prodotto sono informazioni riportate sulle etichette (o sulla targhetta).
- Se il codice del paese non è riportato sull'etichetta, attenersi alle istruzioni tecniche locali per il collegamento e la conversione del gas.
- Il prodotto può essere collegato all'impianto di alimentazione del gas unicamente da una persona o da un tecnico autorizzato/certificato/qualificato.
- Il produttore non sarà ritenuto responsabile per gli eventuali danni derivanti da procedure eseguite da persone o tecnici non autorizzati/non certificati/non qualificati.
- Prima di dare avvio a qualsiasi intervento sull'impianto a gas, scollegare l'alimentazione del gas. Rischio di esplosione!
- **Se si desidera utilizzare il prodotto in un secondo momento con un altro tipo di gas, sarà necessario rivolgersi a una persona o un tecnico autorizzato/certificato/qualificato per la relativa procedura di conversione.**
- Accertarsi che il collegamento al gas venga verificato in modo accurato dopo ogni utilizzo. Il produttore non può essere ritenuto responsabile per eventuali danni dovuti a perdite di gas che possono verificarsi a seguito di un allacciamento o di una trasformazione del gas effettuati da persone non autorizzate o non in possesso di licenza.



### Rischi di incendio:

Qualora il collegamento non venga eseguito in linea con le istruzioni riportate qui di seguito, sussiste il rischio di perdite di gas e di incendio. **La nostra azienda non potrà essere ritenuta responsabile per gli eventuali danni che ne derivano.**

- L'allacciamento al gas deve essere effettuato esclusivamente da un tecnico o

da una persona autorizzata/certificata/qualificata.

- Accertarsi che il tubo flessibile del gas da utilizzare per il collegamento al gas sia conforme alle normative locali in materia.
- Il tubo flessibile del gas deve essere collegato in modo da non entrare in contatto con le parti mobili e le superfici calde (indicate nelle figure sottostanti) che lo circondano. Sarà altresì necessario prestare attenzione per evitare che resti impigliato quando le parti mobili sono in movimento. (ad esempio, cassette). Non dovrà inoltre essere collocato in spazi in cui potrebbe essere schiacciato.
- Una volta completato il collegamento al gas, non spostare il prodotto. Se viene spostato, può esserci il rischio di perdite di gas.
- Il tubo del gas deve essere collegato effettuando giri ad ampio raggio per evitare la possibilità di rottura e piegatura durante il collegamento.
- Il tubo del gas non deve essere schiacciato, piegato, pizzicato, toccato da spigoli vivi o entrare in contatto con le parti calde del prodotto e con le pentole sul prodotto. Il danneggiamento del tubo del gas può comportare un rischio di esplosione!
- Il tubo del gas non deve entrare in contatto con parti che possono raggiungere una temperatura di 70°C superiore alla temperatura ambiente.
- Per il collegamento e la conversione del gas è necessario servirsi di una chiave.

### Parti per il collegamento del gas

Di seguito sono riportate le immagini delle parti e degli strumenti che possono essere necessari per il collegamento del gas. A seconda del modello, queste parti potrebbero non essere fornite in dotazione con il prodotto. I raccordi del gas da utilizzare possono variare a seconda del tipo di gas e delle normative nazionali.

	Raccordo per gas naturale (G20,G25) EN 10226 R1/2"
	Raccordo per gas liquido (G30,G31)
	Raccordo di uscita del gas
	Tappo cieco


### Realizzazione del collegamento al gas

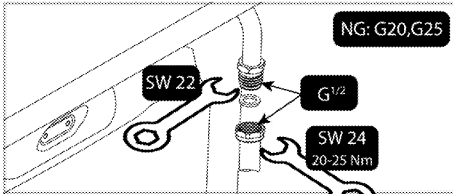
#### - GN

- L'impianto a gas naturale deve essere preparato in modo adeguato per il montaggio prima di procedere all'installazione del prodotto. All'uscita dell'impianto del gas da collegare al prodotto deve essere presente una valvola per il gas naturale.
- Accertarsi che la valvola del gas naturale sia facilmente accessibile.
- Collegare il prodotto all'impianto del gas naturale della propria abitazione usando un tubo flessibile per il gas conforme agli standard locali.
- Per il collegamento al gas sarà necessario servirsi di una nuova guarnizione di tenuta.
- L'alimentazione del gas dovrà essere collegata tramite un tubo del gas o un tubo flessibile di sicurezza per il gas con raccordi filettati a entrambe le estremità.
- Il collegamento può essere effettuato in due modi diversi:
  - EN ISO 228 Attacco di tipo G1/2
  - EN 10226 Attacco tipo R1/2

#### EN ISO 228 Attacco di tipo G1/2

1. Posizionare la nuova guarnizione nel raccordo e verificarne il corretto inserimento.
2. Fissare il raccordo del gas all'apparecchiatura servendosi di una chiave da 22 mm e inserire il raccordo nel raccordo con una chiave da 24 mm.

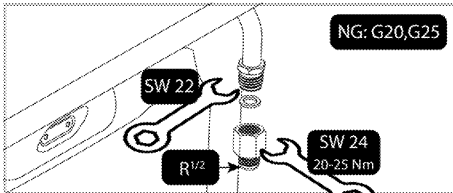
	Guarnizione di tenuta
---	-----------------------



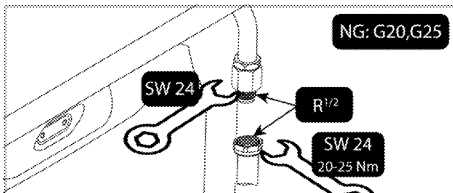
3. Successivamente all'allacciamento sarà necessario verificare che non vi siano perdite nella parte di collegamento.

### EN 10226 Attacco tipo R1/2

1. Posizionare la nuova guarnizione nel raccordo per il gas naturale e verificarne il corretto inserimento.
2. Tenendo fissa l'uscita di collegamento al gas del prodotto con una chiave 22, collegare l'elemento di interconnessione all'uscita del gas del prodotto con una chiave 24 e serrare saldamente.



3. Avvolgere un composto sigillante intorno alla parte filettata dell'interconnettore. Collegare la parte filettata del tubo di sicurezza del gas all'interconnettore usando la chiave da 24 mm. Quindi, serrare saldamente, tenendo l'interconnettore in posizione con la chiave da 24 mm.



4. Successivamente all'allacciamento sarà necessario verificare che non vi siano perdite nella parte di collegamento.

### Realizzazione del collegamento al gas - GPL

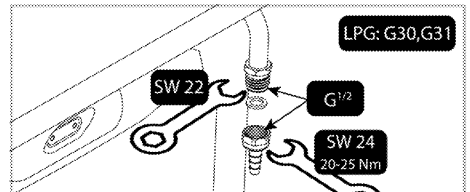
- Il prodotto dovrà essere collegato in modo tale da essere vicino all'attacco del gas per evitare perdite di gas.
- Prima di effettuare l'allacciamento al gas, dotarsi di un tubo flessibile del gas in

plastica e di una fascetta di montaggio adeguata. Il diametro interno del tubo di plastica per gas deve essere di 10 mm e la lunghezza non deve superare i 150 cm. Il tubo di plastica deve essere a prova di perdite e deve risultare ispezionabile.

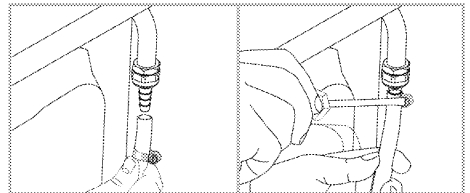
- Gli apparecchi e gli impianti a gas devono essere controllati a intervalli regolari per verificarne il corretto funzionamento. Il regolatore, il tubo flessibile e la relativa fascetta dovranno essere controllati a intervalli regolari e sostituiti entro i termini consigliati dal produttore o quando si rende necessario.
- Per il collegamento al gas sarà necessario servirsi di una nuova guarnizione di tenuta.
- L'allacciamento al gas deve essere effettuato tramite un tubo flessibile del gas o un collegamento fisso.

### Collegamento con tubo del gas

1. Posizionare la nuova guarnizione nel raccordo per il gas liquido e verificarne il corretto inserimento.
2. Fissare l'uscita di collegamento al gas del prodotto con una chiave da 22 mm, collegare il raccordo all'uscita del gas del prodotto con una chiave da 24 mm e serrare saldamente.



3. Installare la fascetta di montaggio su un'estremità del tubo del gas. Ammorbidire l'estremità del tubo del gas a cui è stata fissata la fascetta mettendola in acqua bollente per un minuto.
4. Inserire il tubo del gas ammorbidito fino in fondo nel raccordo. Serrare saldamente il morsetto con un cacciavite.



5. Successivamente all'allacciamento sarà necessario verificare che non vi siano perdite nella parte di collegamento.

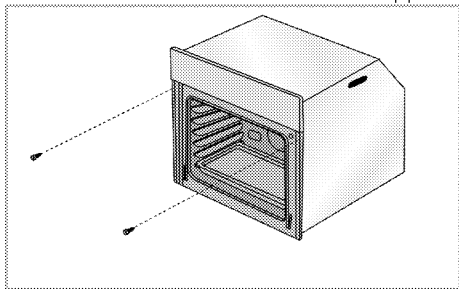
### Controllo delle perdite nel punto di connessione

- Accertarsi che tutte le manopole del prodotto siano spente. Accertarsi che l'alimentazione del gas sia aperta. Preparare una schiuma saponata e applicarla sul punto di connessione del tubo per effettuare un controllo delle perdite di gas.
- Qualora vi sia una perdita di gas, la parte saponata produce schiuma. In questo caso, ispezionare nuovamente il collegamento al gas.
- **Nel caso in cui l'apparecchio presenti due uscite per il tubo del gas**, assicurarsi che l'uscita per il gas non utilizzata sia chiusa con un tappo cieco. Preparare schiuma di sapone ed applicarla sul punto di collegamento del tappo cieco per individuare eventuali perdite di gas. La parte saponata produce schiuma in caso di perdite di gas. In questo caso, ispezionare di nuovo il collegamento del tappo cieco.
- Al posto del sapone, sarà possibile usare gli spray disponibili in commercio per il controllo delle fughe di gas.
- In caso di fuga di gas, chiudere l'alimentazione del gas e ventilare la stanza.

**i** Non usare mai fiammiferi o accendini per eseguire il controllo di eventuali perdite di gas.

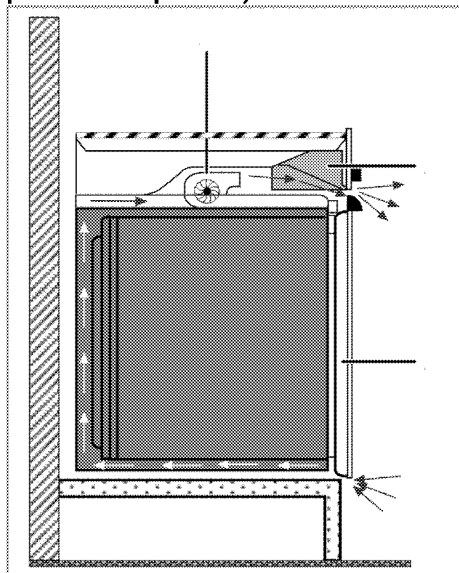
### Installazione dell'unità

1. Far scorrere il forno nell'alloggiamento, allineare ed assicurare mentre allo stesso tempo ci si accerta che il cavo di alimentazione non è rotto e/o intrappolato.



Assicurare il forno con 2 viti come illustrato. Dopo l'installazione, assicurarsi che le viti siano sufficientemente strette e che il forno non si muova. Il forno potrebbe ribaltarsi durante l'utilizzo se non installato secondo le istruzioni e se le viti non sono sufficientemente strette.

### Per prodotti dotati di ventola di raffreddamento (Potrebbe non essere sul prodotto acquistato).



- 1 Ventola di raffreddamento
- 2 Pannello di controllo
- 3 Sportello

La ventola di raffreddamento integrata raffredda sia l'alloggiamento incassato che la parte anteriore dell'unità.

La ventola di raffreddamento inizierà mentre il forno è in funzione dopo 10 minuti. La ventilazione dell'aria si troverà tra lo sportello del forno e il pannello di controllo. Se non funziona, la ventola di raffreddamento potrebbe essere guasta. In tal caso, contattare l'agenzia di assistenza autorizzata.

**i** La ventola di raffreddamento continua a funzionare per 20-30 minuti ancora dopo che il forno è stato spento.

## Controllo finale

1. Funzionamento dell'apparecchio
2. Controllare le funzioni.
3. Aprire la fornitura del gas.
4. Controllare le installazioni del gas per montaggio e tenuta sicuri.

**i** La fiamma deve essere blu e avere una forma regolare. Se la fiamma tende al giallo, controllare se il coperchio del bruciatore è posizionato in modo sicuro o pulire il bruciatore.

## Conversione del gas



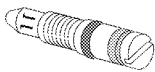
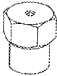
### Avvertenze generali

- Prima di dare avvio qualsiasi tipo di intervento sull'impianto a gas, scollegare l'alimentazione principale del gas. Rischio di esplosione!
- Sarà necessario sostituire tutti gli iniettori del gas. Inoltre, la regolazione della combustione dei rubinetti del gas deve essere effettuata in posizione di riposo per rendere il prodotto adatto all'uso con un altro gas.
- Dopo aver modificato il tipo di gas, l'etichetta del nuovo tipo di gas sulla confezione di ricambio dovrà essere applicata sull'etichetta attuale già presente sulla parete posteriore del prodotto.
- Il tipo di gas convertibile e le categorie di gas della vostra apparecchiatura per paese sono informazioni indicate nella sezione "Categorie/tipi/pressione del gas del paese". Verificare nella tabella i tipi di gas che è possibile convertire nella propria zona. Non sarà possibile convertire in tipi di gas non specificati in questa tabella.
- L'iniettore di ricambio adatto al tipo di gas che si desidera convertire potrebbe non essere fornito con il prodotto. Sarà possibile acquistare gli iniettori presso il servizio di assistenza autorizzato o presso il punto vendita del prodotto.
- Per i valori degli iniettori e per le tipologie di gas da utilizzare per i bruciatori rimandiamo alla fine della sezione. Effettuare il collegamento del tipo di gas

da convertire come descritto nella sezione collegamento gas.

### Parti per la conversione del gas

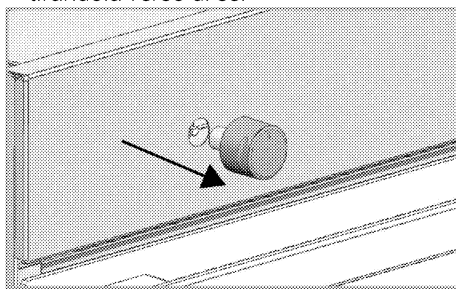
Indichiamo qui di seguito le parti e gli strumenti necessari per la conversione del gas. A seconda del modello, queste parti potrebbero non essere fornite in dotazione con il prodotto.

	Ugello di bypass
	Iniettore del bruciatore

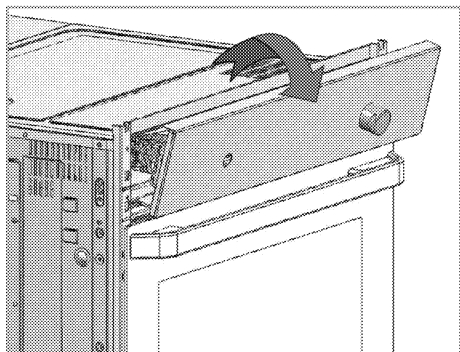
### Regolazione di flusso ridotto per il forno a gas

La regolazione di flusso ridotto per il forno a gas è estremamente importante per il funzionamento appropriato del forno. Per fornire una sicurezza massima all'utente, queste operazioni devono essere fatte con attenzione.

1. Rimuovere la manopola del termostato tirandola verso di sé.

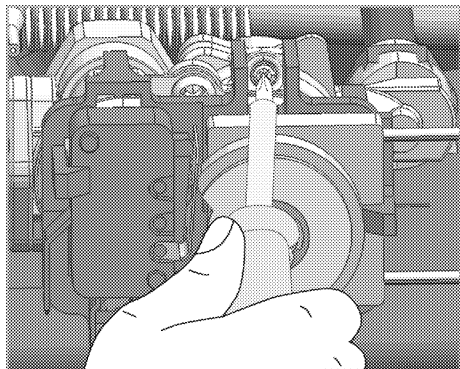


2. Svitare le viti che si trovano sul lato del pannello di controllo e rimuovere il foglio di fondo del pannello.
3. Rilasciare il pannello di controllo rilasciando i due fermi e tenerlo libero prestando attenzione ai collegamenti dei cavi.



4. Accendere il bruciatore da regolare e portare la manopola in posizione alta della fiamma. Il termostato del gas permette di rilevare il calore. Portare in posizione di riposo e controllare se la fiamma si è ridotta.

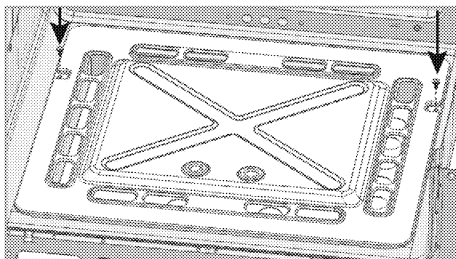
5. Impostare la lunghezza della fiamma con la vite sul rubinetto del forno. Ruotando in senso orario, si riduce la fiamma; ruotando in senso antiorario, si accresce la fiamma.



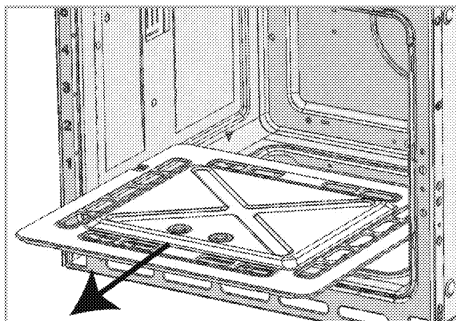
**i** Se la temperatura del forno aumenta in modo eccessivo, spegnere il forno e chiamare l'assistenza autorizzata per far riparare il termostato del forno.

### Cambiare l'iniettore del forno a gas

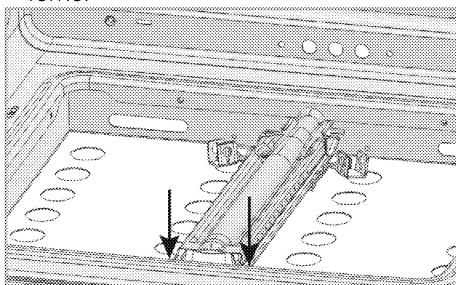
1. Portare tutti i pulsanti di controllo in posizione off sul pannello di controllo.
2. Chiudere l'alimentazione del gas.
3. Aprire lo sportello del forno.
4. Svitare le due viti posizionate sul coperchio del bruciatore del forno.



5. Rimuovere il coperchio del bruciatore del forno tirando verso di sé.

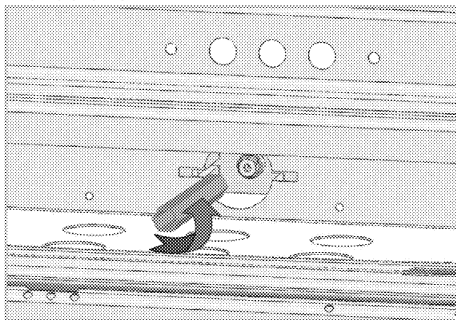


6. Svitare le viti presenti sul bruciatore del forno.



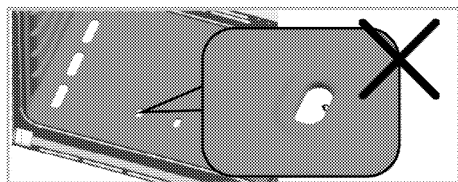
7. Rimuovere il bruciatore del forno dall'alloggiamento.

8. Svitare l'iniettore ruotandolo in senso antiorario.

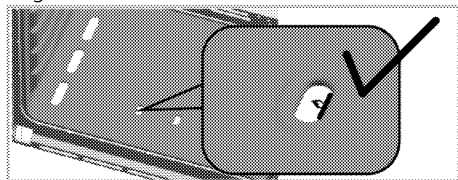


9. Montare un nuovo iniettore.

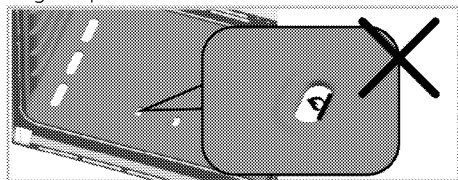
Impostare la fiamma a una lunghezza ottimale come indicato nella figura seguente per mezzo della vite 1 sul rubinetto del forno. Ruotando in senso orario, si riduce la fiamma; ruotando in senso antiorario, si accresce la fiamma.



Se la fiamma è troppo debole,  
\* la temperatura del forno potrebbe essere troppo bassa: ciò potrebbe avere un effetto negativo sul risultato di cottura.



La lunghezza di fiamma ideale offre le migliori prestazioni.



Se la fiamma è troppo forte,  
\* la temperatura del forno potrebbe essere troppo alta: ciò potrebbe avere un effetto negativo sul risultato di cottura.

**i** Dopo aver regolato la fiamma a gas, aprire e chiudere ripetutamente lo sportello e assicurarsi che la fiamma del forno non si spenga.

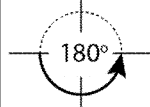
**i** Se il tipo di gas dell'unità è cambiato, allora anche la piastra con i valori nominali che mostra il tipo di gas dell'unità deve essere cambiata.

**Gas naturale in butano/propano (GPL)**

**Butano/propano (GPL) in gas naturale (G20 20mbar/ G25 25 mbar / G25.3 25mbar)**

Stringere la vite ruotandola in senso orario fino alla fine.

Allentare la vite di 180° (circa)



**Gas naturale in butano/propano (GPL)**

**Butano/propano (GPL) in gas naturale (G20 10mbar/ G20 13 mbar)**

Stringere la vite ruotandola in senso orario fino alla fine.

Allentare la vite di 270° (circa)

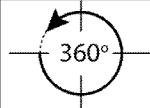


**Gas naturale in butano/propano (GPL)**

**Butano/propano (GPL) in gas naturale (G2 350 13mbar gas locale Polonia)**

Stringere la vite ruotandola in senso orario fino alla fine.

Allentare la vite di 360° (circa)



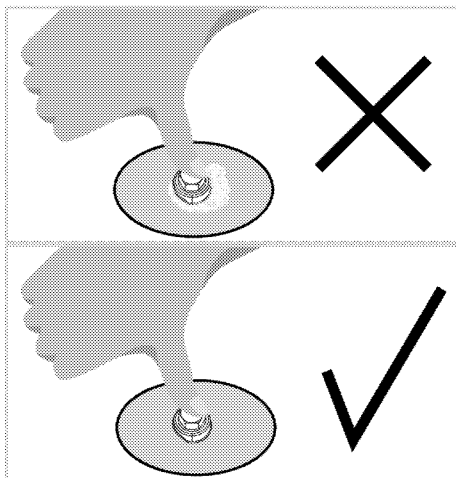
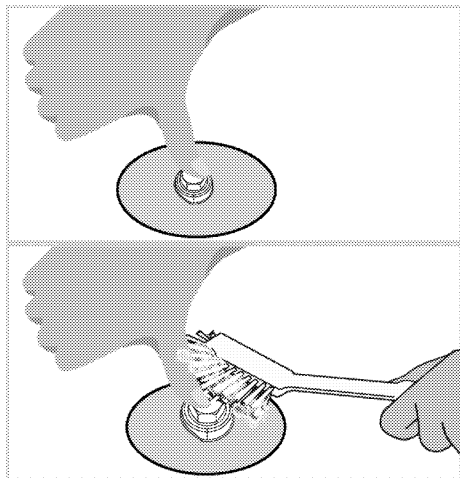
**i** La regolazione ridotta del flusso può variare a seconda del prodotto, del bruciatore e del tipo di gas. Assicurarsi che la lunghezza della fiamma rispetti i valori suddetti.

### Controllo perdite iniettori

Prima di effettuare la conversione sul prodotto, assicurarsi che tutte le manopole

di controllo siano spente. Dopo la corretta conversione degli iniettori, ogni iniettore deve essere controllato per una eventuale perdita di gas

1. Assicurarsi che il gas alimenti il prodotto, mantenere però tutte le manopole di controllo spente.
2. Ogni foro dell'iniettore deve essere bloccato con un dito che applica una forza ragionevole per fermare la perdita di gas quando la corrispondente manopola di controllo è accesa e tenuta in posizione depressa, per permettere al gas di raggiungere l'iniettore.
3. Applicare acqua saponata all'attacco dell'iniettore con un piccolo pennello, in caso di perdita di gas all'attacco dell'iniettore l'acqua saponata inizierà a fare delle piccole bolle. In questo caso, serrare l'iniettore con una forza ragionevole e ripetere ancora una volta il processo della fase 3.
4. Se la schiuma continua a persistere, è necessario spegnere immediatamente l'alimentazione di gas al prodotto e chiamare un agente del servizio assistenza autorizzato o un tecnico con licenza. Non utilizzare il prodotto fino a quando il servizio di assistenza autorizzato non è intervenuto su di esso.



### Smaltimento di vecchi prodotti

- Conservare il cartone originale del prodotto e trasportare il prodotto in esso. Seguire le istruzioni sul cartone. Se non si ha il cartone originale, imballare il prodotto nella carta con le bolle o in un cartone spesso e assicurarlo con nastro adesivo.
  - Per evitare che il grill metallico e il vassoio all'interno del forno danneggino lo sportello del forno, mettere una striscia di cartone sull'interno dello sportello in modo che si allinei con la posizione dei vassoi. Attaccare con del nastro adesivo lo sportello del forno alle pareti laterali.
  - Non usare sportello o maniglia per sollevare o spostare il prodotto.
- i** Non mettere oggetti sull'apparecchio e spostarlo in posizione verticale.
- i** Controllare l'aspetto generale del prodotto per eventuali danni che potrebbero essersi verificati durante il trasporto.

## 4 Preparazioni


### Consigli per il risparmio energetico

Le informazioni che seguono aiutano ad usare l'apparecchio in modo ecologico e a risparmiare energia:

- Usare coperchi di colori scuri e smaltati, poiché la trasmissione del calore è migliore.
- Quando si cucinano gli alimenti, eseguire un'operazione di preriscaldamento se è consigliato nel manuale utente o nelle istruzioni della cottura.
- Non aprire lo sportello del forno di frequente durante la cottura.
- Cercare di cucinare più di un piatto alla volta nel forno laddove possibile. Si può cucinare mettendo due contenitori per la cottura sul grill metallico.
- Cucinare più di un piatto uno dopo l'altro. Il forno è già caldo.
- Scongelare gli alimenti congelati prima di cuocerli.
- Le informazioni sull'efficienza energetica secondo EU 66/2014 possono essere trovate sulla scheda prodotto fornita con il prodotto.

### Uso iniziale

#### Prima pulizia del prodotto

 La superficie può danneggiarsi a causa di alcuni detergenti o materiali di pulizia.

Non usare detergenti aggressivi, polvere/creme pulenti o oggetti taglienti durante la pulizia.

1. Rimuovere tutti i materiali di imballaggio.
2. Pulire le superfici del prodotto con un panno o una spugna umidi e asciugare con un panno.

#### Riscaldamento iniziale

Riscaldare il prodotto per circa 30 minuti e poi spegnerlo. Così i residui del prodotto o gli strati si bruciano e si rimuovono.



Le superfici calde provocano ustioni! Il prodotto può diventare caldo durante l'uso. Non toccare mai i bruciatori caldi, le sezioni interne del forno, riscaldatori, ecc. Tenere lontani i bambini.

Usare sempre guanti resistenti al calore quando si mettono o si rimuovono i piatti nel/dal forno caldo.

### Forno a gas

1. Estrarre tutti i vassoi per la cottura a forno e il grill metallico dal forno.
2. Chiudere lo sportello del forno.
3. Selezionare la fiamma più alta del forno a gas; vedere *Come utilizzare il forno a gas*, pagina 29.
4. Utilizzare il forno per circa 30 minuti.
5. Spegnerlo il forno; vedere *Come utilizzare il forno a gas*, pagina 29

### Forno con grill

1. Estrarre tutti i vassoi per la cottura a forno e il grill metallico dal forno.
2. Chiudere lo sportello del forno.
3. Selezionare la potenza più alta del grill; vedere *Come utilizzare il grill*, pagina 32.
4. Utilizzare il forno per circa 15 minuti.
5. Spegnerlo il grill; vedere *Come utilizzare il grill*, pagina 32



Durante il primo funzionamento, per un paio d'ore, è possibile che siano emessi odori e fumo. È abbastanza normale. Assicurarsi che l'ambiente sia ben ventilato per rimuovere fumo e odori. Evitare di inalare direttamente fumo e odori emessi.

## 5 Come utilizzare il forno

### Informazioni generali su cottura al forno, cottura arrosto e con grill



Le superfici calde provocano ustioni! Il prodotto può diventare caldo durante l'uso. Non toccare mai i bruciatori caldi, le sezioni interne del forno, riscaldatori, ecc. Tenere lontani i bambini.

Usare sempre guanti resistenti al calore quando si mettono o si rimuovono i piatti nel/dal forno caldo.



Prestare attenzione quando si apre lo sportello del forno perché potrebbe fuoriuscire vapore.

Il vapore in uscita può ustionare mani, volto e/o occhi.

### Suggerimenti per la cottura al forno

- Usare piatti in metallo con adeguato rivestimento antiaderente o contenitori in alluminio o stampi in silicone resistenti al calore.
- Usare al meglio lo spazio della rastrelliera.
- Mettere lo stampo da forno al centro della rastrelliera.
- Selezionare la posizione corretta per la rastrelliera prima di accendere forno o grill. Non cambiare la posizione della rastrelliera quando il forno è caldo.
- Tenere lo sportello del forno chiuso.

### Suggerimenti per l'arrosto

- Trattare pollo e tacchino interi, pezzi grandi di carne con condimenti come succo di limone e pepe nero prima della cottura migliora la prestazione di cottura.
- Ci vogliono circa 15-30 minuti in più per arrostitire la carne con osso rispetto alla cottura arrosto di carne della stessa dimensione ma senza osso.
- Ogni centimetro di spessore della carne richiede circa 4-5 minuti di cottura.
- Lasciare la carne nel forno per circa 10 minuti dopo il periodo di cottura. Il succo si distribuisce meglio per tutto l'arrosto e non fuoriesce quando si taglia la carne.

- Il pesce deve essere posto sulla rastrelliera centrale o inferiore in un piatto resistente al calore.

### Suggerimenti per la cottura con grill

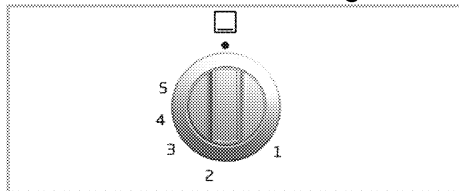
Quando carne, pesce e pollame sono cotti con grill, subito si rosolano, hanno una piacevole crosta e non restano secchi. Parti sottili, spiedini di carne e salsicce sono particolarmente adatti per la cottura con grill, così come verdure con alto contenuto di acqua, come pomodori e cipolle.

- Distribuire i pezzi da cuocere con grill sul grill metallico o nel vassoio per cottura al forno con il grill metallico posto in modo tale che lo spazio coperto non superi la dimensione del riscaldatore.
- Far scorrere il ripiano metallico o la teglia per la cottura al forno con grill al livello desiderato nel forno. Se si cuoce al grill sul ripiano metallico, far scorrere la teglia per la cottura al forno sulla rastrelliera inferiore per raccogliere i grassi. La teglia per la cottura al forno da far scorrere deve avere una dimensione tale da coprire l'intera area di grigliatura. È possibile che la teglia non venga fornita con il prodotto. Aggiungere dell'acqua nel vassoio per la cottura al forno per una pulizia facile.



Gli alimenti che non sono adatti alla cottura al grill rappresentano un rischio di incendio. Usare solo alimenti per cottura con grill adatti al calore intenso del grill. Non mettere il cibo troppo lontano sul retro del grill. Questa è l'area più calda e gli alimenti grassi potrebbero prendere fuoco.

### Come utilizzare il forno a gas



Il forno a gas si aziona con la manopola di controllo del forno a gas. In posizione off (superiore) l'alimentazione di gas è disattivata.

## Accensione del forno a gas

Il forno a gas si accende automaticamente con la manopola di controllo del forno a gas.

1. Tenere la manopola di controllo del gas premuta e ruotarla **in senso antiorario**.  
» Una scintilla di accensione è generata e il gas si accende.
2. Tenere la manopola di controllo del gas premuta per altri 3 - 5 secondi.
3. Assicurarsi che il gas si sia acceso e che la fiamma sia presente.
4. Selezionare forza di cottura/segno del gas desiderati.
5. Se non c'è elettricità, accendere il gas con l'accendigas dal foro di controllo dell'accensione.



C'è il rischio di compressione di gas ed esplosione!

Non cercare di accendere il gas per oltre 15 secondi. Se il bruciatore non si accende entro 15 secondi, chiudere la manopola e aspettare 1 minuto. Ventilare l'ambiente prima di cercare di accendere di nuovo il bruciatore. In caso di mancato rispetto delle operazioni sopra indicate ci potrebbe essere rischio di compressione di gas ed esplosione.

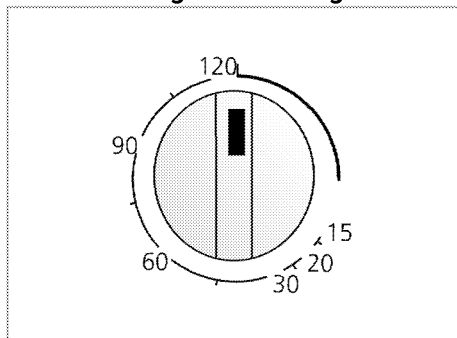
## Spegnimento del forno a gas

1. Ruotare la manopola di controllo del forno a gas in posizione off (alta).

Grafico della temperatura del gas senza ventola

Livello di gas	1	2	3	4	5
Temperatura in °C	165	175	190	225	280

## Uso dell'orologio come sveglia



La sveglia non ha influenza sulle funzioni del forno. Si usa solo come avvertenza. Per esempio, è utile quando si desidera girare gli alimenti nel forno ad un certo punto. La sveglia emette un segnale una volta che il tempo impostato è finito.

## Impostazione della sveglia

1. Ruotare la manopola Time Adjustment (regolazione orario) in senso orario per stabilire quanto a lungo suonerà l'allarme.
2. La manopola ruota in senso antiorario alla fine del tempo di cottura e l'allarme suona. La sveglia non spegne il forno.



Ruotare la manopola funzione in senso orario fino alla posizione off per spegnere il forno.

## Modalità di funzionamento

L'ordine delle modalità di funzionamento qui mostrato può essere diverso da quello della propria unità.

### Lampadina forno



Il forno non è riscaldato. Solo la lampadina del forno è accesa. Forse anche la valvola esterna di raffreddamento è in funzione per evitare il riscaldamento degli scomparti.

Le altre funzioni sono per la cottura; selezionare la temperatura adatta per il tipo di alimento.

## Full grill with turnspit (grill completo con girarrosto)



Grill completo e girarrosto sono in funzione. Si adatta alla cottura con grill e a cuocere alla "Rotisserie" grandi pezzi di carne.

**i** Carico massimo del vassoio del forno: 4 kg (8,8 lb).

**i** I tempi in questo diagramma devono essere considerati una guida. I tempi possono variare a causa di temperatura degli alimenti, spessore, tipo e preferenze personali di cottura.

### Tabella tempi di cottura

**i** La prima rastrelliera del forno è quella di **fondo**.

Mettere i piatti su un foglio di carta da forno per evitare schizzi sulla base del forno e aiutare a mantenere il forno pulito.

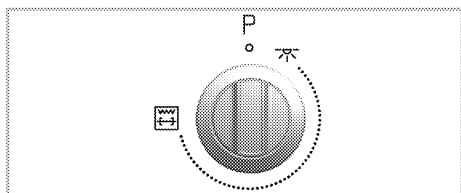
### Cottura al forno e arrosto - senza ventilatore

Alimenti	Accessorio da usare	Preriscaldamento *	Livello di inserimento	Posizione manopola di controllo	Tempo di cottura
Torta di mele	Piatto metallico rotondo nero con un diametro di 20 cm su grill metallico***	10 min.	4	1...2	60...70 min.
Torta alla frutta	Piatto metallico rotondo nero con un diametro di 20 cm su grill metallico***	10 min.	4	1...2	60...70 min.
Torta	Piatto metallico rotondo nero con un diametro di 20 cm su grill metallico***	10 min.	4	1...2	60...70 min.
Dolcetti	Vassoio standard**	10 min.	4	1...2	30...40 min.
Pasta	Vassoio standard**	10 min.	4	3	45...55 min.
Torta	Tortiera su grill metallico***	10 min.	4	1...2	50...70min.
Biscotti	Vassoio standard**	10 min.	4	1...2	30...40 min.
Arrosto di agnello	Vassoio standard**	10 min.	3...4	15 min. 5 / max. poi 3	70...90 min.
Arrosto di manzo	Vassoio standard**	10 min.	3...4	20 min. 5 / max. poi 3	75...90 min.
Tacchino	Vassoio standard**	10 min.	3	20 min. 5 / max. poi 3	100...120 min.
Pollame	Vassoio standard**	10 min.	3	15 min. 5 / max. poi 3	90...100 min.
In casseruola	Vassoio standard**	10 min.	3...4	1...2	90...120 min.
Pesce	Vassoio standard**	10 min.	4	3	35...45 min.
Pasta	Vassoio standard**	10 min.	4	1...2	50...60 min.
Victoria sandwich	Vassoio standard**	10 min.	4	1...2	25...35 min.
Pizza	Vassoio standard**	10 min.	4	3	20...25 min.

\* in posizione manopola di controllo 5  
\*\* Questi accessori possono non essere forniti assieme al prodotto.  
\*\*\* Questi accessori non sono forniti assieme al prodotto. Si tratta di accessori disponibili in commercio.

## Come utilizzare il grill

- !** Chiudere lo sportello del forno durante la cottura con grill. Le superfici calde possono provocare ustioni!



### Accensione del grill

1. Ruotare in senso orario la manopola funzione sul simbolo del grill.
  2. Se necessario, eseguire un pre-riscaldamento per circa 5 minuti.
- » La spia della temperatura si accende.

- i** Non cercare di ruotare la manopola funzione in senso **orario** per impostarla sulla posizione Off (superiore).

### Spegnimento del grill

1. Ruotare la manopola funzione **in senso antiorario** sulla posizione Off (superiore) per spegnere il forno.

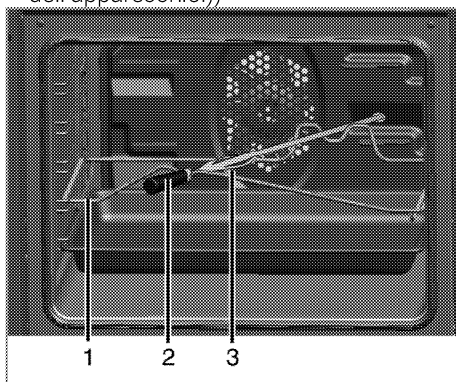
- !** Gli alimenti che non sono adatti alla cottura al grill rappresentano un rischio di incendio. Usare solo alimenti per cottura con grill adatti al calore intenso del grill. Non mettere il cibo troppo lontano sul retro del grill. Questa è l'area più calda e gli alimenti grassi potrebbero prendere fuoco.

### Funzione girarrosto

Quando si seleziona la funzione grill, il motore del girarrosto si avvia.

- i** Il motore del girarrosto funziona assieme al grill. Quando si attiva la funzione grill, il riscaldatore del grill si attiva e si disattiva in modo intermittente. Pertanto, mentre il riscaldatore del grill è attivato, il motore del girarrosto è in funzione e quando il riscaldatore è disattivato, il motore si arresta. Questo non è un guasto.

- Dopo aver selezionato Funzioni del grill, inserire la carne o il pollo sullo spiedo del girarrosto usando la forchetta (3).
- Inserire il girarrosto nella relativa apertura del motore rotante che si trova sulla parete posteriore del forno. Mettere il girarrosto sulla relativa struttura.
- Mettere tale struttura sulla rastrelliera adatta del forno.
- Mettere un vassoio su una delle rastrelliere inferiori per raccogliere i grassi. Mettere dell'acqua nel vassoio per una pulizia facile.
- **Non dimenticare di rimuovere il manico in plastica del girarrosto. (Varia a seconda del modello dell'apparecchio.)**
- Quando la cottura è completa, montare il manico in plastica e rimuovere gli alimenti dal forno. (Varia a seconda del modello dell'apparecchio.)



- 1 Struttura del girarrosto
  - 2 Maniglia di plastica \*
  - 3 Forchetta
- \* (Varia a seconda del modello dell'apparecchio.)

## Tabella tempi di cottura per la cottura con grill

### Cottura con grill elettrico

Alimenti	Accessorio da usare	Posizione rastrelliera	Tempo cottura grill (circa)
Pesce	Grill metallico	4...5	20...25 min. #
Fettine di pollo	Grill metallico	4...5	25...35 min.
Costolette di agnello	Grill metallico	4...5	20...25 min.
Arrosto di manzo	Grill metallico	4...5	25...30 min. #
Costolette di vitello	Grill metallico	4...5	25...30 min. #
Tostare il pane *	Grill metallico	4	1...3 min.

# a seconda dello spessore

\*Pre-riscaldare per 5 minuti.

\*\*Se non è possibile regolare la temperatura della griglia del prodotto, la griglia funzionerà alla temperatura consigliata.

I pasti presenti in questa tabella di cottura sono preparati secondo lo standard EN 60350-1 per facilitare gli enti di controllo nella verifica del prodotto.

Alimenti	Accessorio da usare	Posizione rastrelliera	Tempo di cottura (appross. in min.)
Pane per toast	Grill metallico	4	1...3 min.
Polpette (manzo) - 12 pezzi	Grill metallico	4	25...35 min.

Girare il cibo dopo 2/3 del tempo di grigliatura totale.

Si suggerisce di eseguire 5 minuti di pre-riscaldamento per tutti gli alimenti da grigliare.

## 6 Manutenzione e cura

### Informazioni generali

La vita di servizio dell'apparecchio si allunga e problemi frequenti diminuiscono se l'apparecchio è pulito ad intervalli regolari.

**!** Scollegare l'apparecchio dalla rete elettrica prima di avviare i lavori di manutenzione e pulizia.  
C'è il rischio di shock elettrico!

**!** Consentire all'apparecchio di raffreddarsi prima di pulirla.  
Le superfici calde possono provocare ustioni!

- Pulire completamente l'apparecchio dopo ogni uso. In questo modo sarà possibile rimuovere i residui di cottura con maggiore facilità, evitando così che questi residui brucino all'uso successivo dell'apparecchio.
- Non sono necessari agenti di pulizia speciali per la pulizia dell'apparecchio. Usare acqua calda con detersivo liquido, un panno morbido o una spugna per pulire l'apparecchio e asciugare con un panno asciutto.
- Assicurare sempre che il liquido in eccesso sia completamente asciugato dopo la pulizia e che tutti gli schizzi siano immediatamente asciugati.
- Non usare agenti di pulizia che contengono acido o cloro per pulire le superfici e la maniglia in acciaio inox. Usare un panno morbido con un detergente liquido (non abrasivo) per pulire queste parti, prestando attenzione a pulire in un'unica direzione.

**i** La superficie può danneggiarsi a causa di alcuni detersivi o materiali di pulizia.  
Non usare detersivi aggressivi, polvere/creme pulenti o oggetti taglienti durante la pulizia.

**i** Non usare pulitori a vapore per pulire l'apparecchio poiché ciò potrebbe provocare uno shock elettrico.

### Pulizia del pannello di controllo

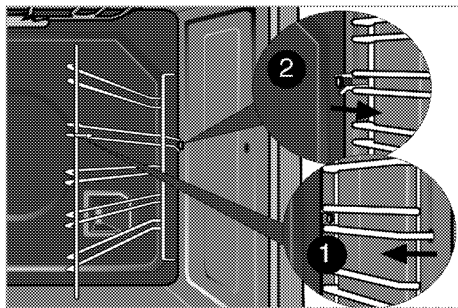
Pulire pannello di controllo e le manopole con un panno umido e asciugare.

**i** Se il prodotto è dotato di tasti/manopole, non rimuovere le manopole di controllo per pulire il pannello di controllo.  
Il pannello di controllo può danneggiarsi!

### Pulizia del forno

**Per pulire la parete laterale (Varia a seconda del modello dell'apparecchio.) (Questa funzione è opzionale. Potrebbe non essere sul prodotto acquistato).**

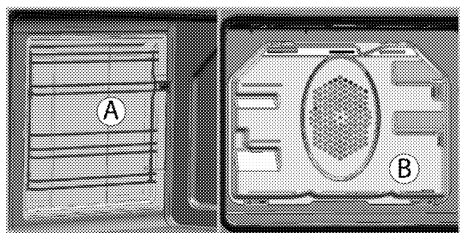
1. Rimuovere la sezione anteriore della rastrelliera laterale tirando nella direzione opposta alla parete laterale.
2. Rimuovere completamente la rastrelliera laterale tirando verso di sé.



### Pareti catalitiche

**(Questa funzione è opzionale. Potrebbe non essere sul prodotto acquistato).**

Le pareti laterali interne (A) e/o la parete posteriore (B) dell'apparecchio potrebbero essere rivestite di smalto catalitico. Le pareti catalitiche hanno un colore opaco chiaro e una superficie porosa. Le pareti catalitiche del forno non devono essere pulite. Grazie alla superficie perforata, le superfici catalitiche assorbono il grasso e, una volta che quest'ultimo ne riempie la superficie, iniziano a brillare. In questo caso si raccomanda di sostituire gli elementi.



## Pulire lo sportello del forno

Per pulire lo sportello del forno, usare acqua calda con detersivo liquido, un panno morbido o una spugna per pulire l'apparecchio e asciugare con un panno asciutto.

Asciugare il vetro con l'aceto e poi sciacquarlo dai eventuali residui di calcare che si possono trovare sul vetro del forno.

**i** Non usare detersivi molto abrasivi o raschietti in metallo tagliente per la pulizia dello sportello del forno. Essi potrebbero graffiare la superficie e distruggere il vetro.

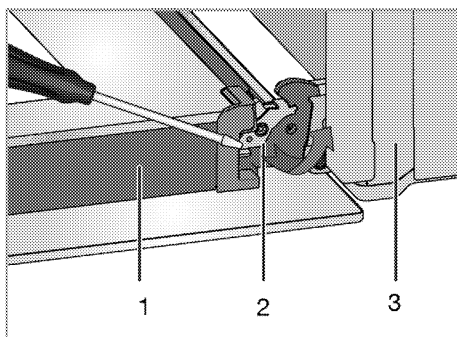
## Pulizia dello sportello del forno

**i** Per pulire lo sportello del forno e il vetro, non utilizzare detersivi abrasivi aggressivi, raschietti metallici, pagliette d'acciaio o candeggina.

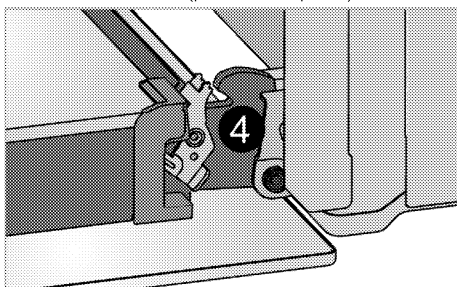
Per pulirli, è possibile rimuovere lo sportello del forno e i vetri dello sportello. Come rimuovere le porte e le finestre è spiegato nelle sezioni "Rimozione dello sportello del forno" e "Rimozione dei vetri interni dello sportello". Dopo aver rimosso i vetri interni dello sportello, pulirli con detersivo per piatti, acqua calda e un panno morbido o una spugna e asciugare con un panno asciutto. Asciugare il vetro con l'aceto e poi sciacquarlo dai eventuali residui di calcare che si possono trovare sul vetro del forno.

## Rimozione dello sportello del forno

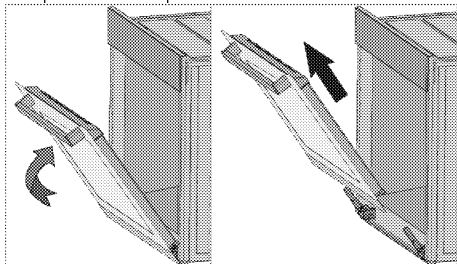
1. Aprire lo sportello anteriore (1).
2. Aprire i morsetti dell'alloggiamento della cerniera (2) sul lato destro e su quello sinistro dello sportello anteriore premendoli verso il basso come illustrato nella figura.



- 1 Sportello
- 2 Blocco cerniera (posizione chiusa)
- 3 Forno
- 4 Blocco cerniera (posizione aperta)



3. Spostare lo sportello anteriore a metà.



4. Rimuovere lo sportello anteriore tirandolo verso l'alto per farlo uscire dai cardini destro e sinistro.

**i** I punti eseguiti durante il processo di rimozione devono essere eseguiti al contrario per installare lo sportello. Non dimenticare di chiudere i morsetti dell'alloggiamento della cardine quando si reinstalla lo sportello.

## Sostituzione della lampadina del forno

**!** Prima di sostituire la lampadina del forno, assicurarsi che l'apparecchio sia scollegato dalla rete e sia freddo per evitare il rischio di shock elettrico. Le superfici calde possono provocare ustioni!

**i** In questo forno viene utilizzata una lampada ad incandescenza con potenza inferiore a 40 W, altezza inferiore a 60 mm, diametro inferiore a 30 mm o lampada alogena con attacco tipo G9, potenza inferiore a 60 W. Le lampade sono adatte al funzionamento a temperature superiori a 300 °C. Le lampade del forno possono essere richieste agli Agenti di servizio autorizzati o ai tecnici muniti di licenza. Questo prodotto contiene una lampada di classe energetica G.

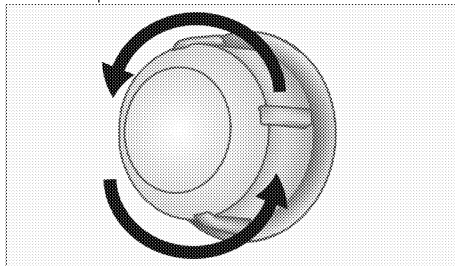
**i** La posizione della lampadine può variare dalla figura.

**i** Le lampadine utilizzate in questo apparecchio non sono adatte per l'illuminazione di ambienti domestici. Lo scopo previsto di questa lampadina è aiutare l'utente a controllare gli alimenti.

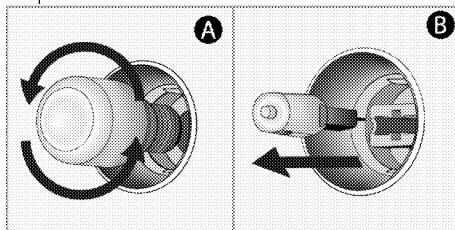
**i** Le lampadine utilizzate in questo apparecchio devono sopportare condizioni fisiche estreme come temperature superiori a 50 °C.

### Se il forno è dotato di una lampadina rotonda:

1. Scollegare il prodotto dalla rete.
2. Ruotare la copertura in vetro in senso orario per rimuoverla.



3. Se la lampadina del forno corrisponde al tipo (A) mostrato nella figura seguente, rimuoverla ruotando secondo le indicazioni e sostituirla. Se è di tipo (B), tirare e rimuoverla come indicato in figura, quindi sostituirla.



4. Installare il coperchio in vetro.

## 7 Ricerca e risoluzione dei problemi

### **Il forno emette vapore durante l'uso.**

- Si tratta del normale vapore che si produce durante il funzionamento. >>> *Non è guasto.*

### **L'apparecchio emette rumori metallici durante riscaldamento e raffreddamento.**

- Quando le parti di metallo si riscaldano, possono espandersi e provocare rumori. >>> *Non è guasto.*

### **L'apparecchio non funziona.**

- Il fusibile di rete è difettoso o si è bloccato. >>> *Controllare i fusibili nella scatola dei fusibili. Se necessario, sostituirli o reimpostarli.*
- L'apparecchio non è collegato alla presa (di messa a terra). >>> *Controllare il collegamento della spina.*

### **Non c'è la scintilla di accensione.**

- Corrente assente. >>> *Controllare i fusibili nella scatola dei fusibili.*

### **Non c'è gas.**

- La valvola principale del gas è chiusa. >>> *Aprire la valvola del gas.*
- Il tubo del gas è piegato. >>> *Installare correttamente il tubo del gas.*

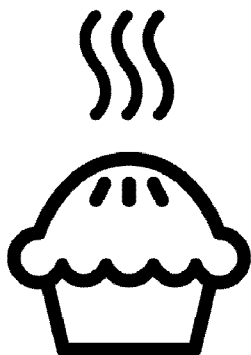


Consultare l'agente autorizzato per l'assistenza o il rivenditore dove è stato acquistato l'apparecchio se non si riesce a risolvere il problema nonostante siano state implementate le soluzioni di questa sezione. Non cercare mai di riparare da soli un apparecchio difettoso.



# Встраиваемый духовой шкаф

Руководство пользователя



RU



ПЕРЕРАБОТАННАЯ И  
ПЕРЕРАБАТЫВАЕМАЯ  
БУМАГА

## Перед началом эксплуатации прочитайте это руководство пользователя!

Уважаемый покупатель!

Спасибо за то, что отдали предпочтение продукции компании «Веко». Надеемся, что это высококачественное изделие, изготовленное с применением самых современных технологий, будет демонстрировать наилучшие результаты эксплуатации. Для этого перед началом эксплуатации внимательно прочитайте это руководство и всю сопутствующую документацию и используйте его в дальнейшем в качестве справочника. Если вы передаете изделие новому владельцу, передайте ему и руководство пользователя. Придерживайтесь всех предупреждений и информации, содержащихся в руководстве.

Помните, что данное руководство пользователя также может быть применимо к некоторым другим моделям. Различия между моделями будут указаны в руководстве.

### Пояснения к символам

В данном руководстве пользователя используются следующие символы:



Важная информация или полезные советы по использованию.



Предупреждение о ситуациях, опасных для жизни людей и имущества.



Предупреждение об опасности поражения электрическим током.



Предупреждение об опасности пожара.



Предупреждение о горячих поверхностях.

**1 Важные инструкции и предупреждения по технике безопасности и охране окружающей среды 4**

Общие правила техники безопасности. 4  
 Правила техники безопасности при работе с газовым оборудованием... 5  
 Электробезопасность ..... 7  
 Безопасность изделия ..... 9  
 Использование по назначению..... 11  
 Безопасность детей ..... 12  
 Утилизация старого изделия ..... 12  
 Утилизация упаковочных материалов 13

**2 Общие сведения 14**

Обзор ..... 14  
 Содержание упаковки..... 15  
 Технические характеристики..... 16  
 Характеристики горелок..... 16

**3 Установка 19**

До начала установки ..... 19  
 Установка и подключение ..... 22  
 Переход на другой вид газа..... 27  
 Для будущей транспортировки..... 31

**4 Подготовка к эксплуатации 32**

Рекомендации по экономии электроэнергии ..... 32  
 Подготовка к эксплуатации..... 32  
 Очистка прибора перед началом эксплуатации ..... 32  
 Первоначальный прогрев..... 32

**5 Правила эксплуатации духовки 34**

Общие сведения о выпекании, жарении и приготовлении с грилем ..... 34  
 Правила эксплуатации газовой духовки ..... 35  
 Режимы работы ..... 36  
 Время приготовления блюд..... 36  
 Как пользоваться грилем..... 37  
 Время приготовления блюд на гриле ..38

**6 Уход и техническое обслуживание 40**

Общие сведения..... 40  
 Чистка панели управления..... 40  
 Чистка духовки ..... 40  
 Очистка дверцы духовки ..... 41  
 Замена лампочки освещения духового шкафа..... 42

**7 Поиск и устранение неисправностей 43**

## **1 Важные инструкции и предупреждения по технике безопасности и охране окружающей среды**

В данном разделе содержатся инструкции по технике безопасности, которые помогут вам избежать травм и повреждений. При несоблюдении этих правил все гарантийные обязательства аннулируются.

### **Общие правила техники безопасности**

- Это изделие может эксплуатироваться детьми старше 8 лет и людьми с ограниченными физическими, сенсорными или умственными способностями, а также лицами, не имеющими достаточного опыта и знаний, только в том случае, если они находятся под наблюдением лиц, ответственных за их безопасность, или проинструктированы на предмет безопасного использования изделия и осознают связанные с этим риски. Следите за тем, чтобы дети не играли с устройством. Дети могут чистить и обслуживать устройство только под наблюдением.
- Прибор не должен использоваться лицами (включая детей) с ограниченными физическими, сенсорными или умственными способностями или недостатком опыта и знаний, за исключением случаев, когда использование происходит под непосредственным контролем или в соответствии с указаниями. Следите за детьми, чтобы они не играли с прибором.
- В случае передачи изделия третьему лицу в личное пользование или в целях вторичного использования необходимо также передать руководство пользователя, наклейки изделия, а также другие связанные с ним документы и компоненты.
- Работы по установке и ремонту должны выполняться только

представителями авторизованной сервисной службы. Производитель не несет ответственности за повреждения в результате выполнения работ лицами, не имеющими соответствующей квалификации. Это также может привести к аннулированию гарантии. Перед установкой внимательно прочтите инструкции.

- Не пользуйтесь неисправным изделием, а также при наличии на нем заметных повреждений.
- Проверяйте, чтобы после каждого использования переключатели функций изделия были выключены.

### **Правила техники безопасности при работе с газовым оборудованием**

- Все работы с газовыми приборами и системами должны выполнять только квалифицированные специалисты, имеющие право на выполнение таких работ.
- Перед установкой проверьте, соответствуют ли параметры местной

распределительной сети (давление и тип газа) настройкам прибора.

- Это устройство не подсоединяется к устройству для удаления продуктов горения. Это устройство не подсоединяется к устройству для удаления продуктов горения. Установка и подключение прибора должны выполняться в соответствии с действующими нормами и правилами. Особое внимание следует уделить требованиям к вентиляции (см. раздел *До начала установки*, стр. 19).
- **ОСТОРОЖНО:** Во время эксплуатации газовой продукт она выделяет тепло, влагу и продукты сгорания в помещении, в котором установлена. Убедитесь, что кухня хорошо проветривается, в особенности во время использования прибора: держите открытыми отверстия, через которые осуществляется естественная вентиляция, или установите прибор для искусственной вентиляции

(механическую надплитную вытяжку). Длительное интенсивное использование прибора может требовать дополнительной вентиляции, например, увеличения уровня мощности механической вытяжки, если она имеется.

- Необходимо регулярно проверять исправность газовых приборов и систем. Регулятор, шланг и его хомут следует проверять регулярно и заменять в сроки, рекомендованные производителем, или по мере необходимости.
- Регулярно очищайте газовые горелки. Горелка должна гореть ровным голубым пламенем.
- Данное изделие должно использоваться в помещении, где установлен правильно отрегулированный и работоспособный датчик угарного газа. Убедитесь, что датчик угарного газа работает правильно и регулярно проходит техническое обслуживание. Датчик угарного газа должен устанавливаться

на расстоянии не более 2 м от изделия.

- В газовых приборах необходимо обеспечить полное сжигание газа, так как при неполном сгорании газа выделяется угарный газ (CO). Угарный газ (монооксид углерода) - это очень ядовитый бесцветный газ без запаха, который даже в очень малых дозах вызывает отравление и смерть.
- Узнайте у своего поставщика газа телефон местной аварийной службы газа, а также ознакомьтесь с мерами предосторожности, которые необходимо предпринимать при обнаружении запаха газа.
- Условия и значения для регулировки газа данного изделия указаны на паспортной/типовой табличке.

### **Меры предосторожности при обнаружении запаха газа**

- Не пользуйтесь открытым пламенем и не курите. Не пользуйтесь электрическими выключателями

(например, выключателем освещения, дверным звонком и т.д.). Не пользуйтесь стационарными и мобильными телефонами. Остерегайтесь взрыва и отравления газом!

- Перекройте все краны газовых приборов и газовых счетчиков
- Откройте окна и двери.
- Проверьте все трубы и соединения на герметичность. Если запах газа не исчезает, покиньте помещение.
- Предупредите соседей.
- Вызовите пожарную команду. Звоните по телефонному аппарату, который находится за пределами дома.
- Не входите в помещение, пока вам не сообщат, что это безопасно.

### **Электробезопасность**

- В случае неисправности следует прекратить эксплуатацию изделия, пока оно не будет отремонтировано в авторизованном сервисном центре. Существует риск

поражения электрическим током!

- Изделие можно подключать только к заземленной розетке/линии, напряжение и уровень защиты которой соответствуют параметрам, указанным в разделе «Технические характеристики». Установку заземления должен выполнять квалифицированный специалист (при использовании прибора с трансформатором или без него). Наша компания не несет ответственности за какие-либо проблемы, возникшие вследствие использования изделия без заземления, выполненного в соответствии с местными нормами и правилами.
- Никогда не лейте воду на изделие во время мытья! Существует риск поражения электрическим током!
- Категорически запрещается дотрагиваться до штепсельной вилке влажными руками! Не

тяните за кабель питания. Вынимая вилку из розетки, беритесь непосредственно за вилку.

- Прежде чем приступить к установке, техническому обслуживанию, чистке и ремонту, изделие необходимо отключить от электросети.
- Во избежание несчастных случаев при повреждении кабеля питания его замену должен выполнять производитель, его специалист по сервису или лицо, имеющее аналогичную квалификацию.
- Электроприбор следует устанавливать таким образом, чтобы его можно было полностью отсоединить от сети электропитания. Отсоединение должно осуществляться с помощью штепсельной вилки или выключателя, встроенного в фиксированную сеть электропитания, в соответствии со строительными нормативами и правилами.
- Задняя стенка духового шкафа во время работы

сильно нагревается.

Следите за тем, чтобы газовые шланги и электрические провода не соприкасались с задней стенкой, так как это может привести к их повреждению.

- Следите за тем, чтобы шнур питания не был зажат между рамой и дверцей духового шкафа, и не прокладывайте его по горячим поверхностям. В противном случае изоляция кабеля может расплавиться, что приведет к короткому замыканию и пожару.
- Все работы с электрическим оборудованием и системами должны выполняться только квалифицированными специалистами, допущенными к выполнению таких работ.
- В случае какого-либо повреждения выключите прибор и отсоедините его от электросети. Для этого выключите общий предохранитель в доме.
- Проверьте, соответствуют ли изделию номинальные

характеристики предохранителя.

### **Безопасность изделия**

- **ВНИМАНИЕ:** Во время работы устройства открытые части горячие. Не прикасайтесь к устройству и нагревательным элементам. Дети в возрасте до 8 лет не должны приближаться к устройству без контроля взрослых.
- Не пользуйтесь прибором, находясь под воздействием алкоголя или лекарственных препаратов, снижающих скорость реакции или нарушающих координацию движений.
- Будьте осторожны при использовании спиртных напитков в приготавливаемых блюдах. При высокой температуре спирт испаряется и при соприкосновении с горячими поверхностями может загореться и вызвать пожар.
- Не располагайте рядом с прибором легковоспламеняющиеся материалы, так как во время работы его боковые поверхности могут сильно нагреваться.
- Во время работы устройство может нагреваться. Будьте осторожны, не касайтесь нагревательных элементов внутри духового шкафа.
- Следите за тем, чтобы вентиляционные отверстия были полностью открыты.
- Не разогревайте в духовом шкафу продукты в закрытых жестяных или стеклянных банках. Внутри банок может повыситься давление, что приведет к взрыву.
- Не ставьте противни или посуду непосредственно на дно духового шкафа, а также не кладите на него алюминиевую фольгу. Избыточное тепло может привести к повреждению дна духового шкафа.
- Не используйте для чистки стеклянной дверцы духового шкафа грубые абразивные чистящие средства или острые металлические скребки, чтобы не поцарапать поверхность, поскольку

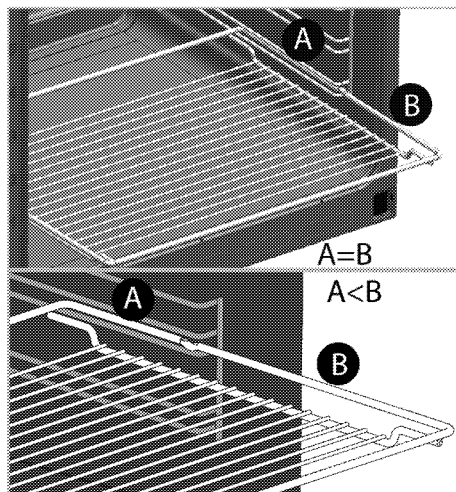
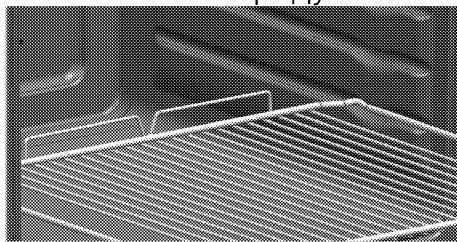
это может привести к разрушению стекла.

- Не используйте для чистки устройства пароочистители, поскольку это может привести к поражению электрическим током.
- (Может отличаться в зависимости от модели изделия.)

Правильное расположение проволочной решетки и противня на направляющих

Проволочную решетку и/или противень следует правильно устанавливать на направляющие.

Вставьте проволочную решетку или противень между 2 направляющими и проверьте, устойчиво ли держится решетка или противень (см. рисунок). Только после этого можно класть на них продукты.



- Не пользуйтесь духовым шкафом, если стекло в передней дверце потрескалось или вынута.
- Помещая продукты в горячий духовой шкаф или вынимая их оттуда, обязательно пользуйтесь термостойкими рукавицами.
- Положите бумагу для выстилания пекарных форм в емкость или на противень, решетку и т.д. вместе с приготавливаемыми пищевыми продуктами, и поместите все в предварительно нагретую духовку. Удалите излишки бумаги, выступающие за пределы противня или емкости, чтобы они не смогли соприкоснуться с

нагревательными элементами. Не используйте бумагу для выстилания пекарных форм, рабочая температура которой ниже температуры в духовку. Не кладите бумагу непосредственно на основание духовки.

- **ВНИМАНИЕ:** Перед заменой лампы убедитесь, что шнур питания прибора отключен от сети или что прерыватель цепи выключен, чтобы избежать поражения электрическим током.
- Прибор не следует устанавливать за декоративной дверцей, поскольку это может привести к перегреву.

Для обеспечения пожарной безопасности изделия соблюдайте нижеуказанные правила.

- Убедитесь, что вилка плотно вставлена в розетку и не искрит.
- Запрещается использовать поврежденный либо обрезанный кабель, а также удлинитель; можно

пользоваться только оригинальным кабелем.

- Убедитесь, что в розетке, к которой подключается изделие, отсутствуют жидкость или влага.
- Убедитесь, что подключение газа выполнено таким образом, чтобы исключить утечку газа.

### **Использование по назначению**

- Данное изделие предназначено исключительно для бытового использования. Запрещается использовать прибор в коммерческих целях.
- **ОСТОРОЖНО:** Данное изделие предназначено исключительно для приготовления пищи. Его запрещено использовать для других целей, например, для обогрева помещения."
- Изделие не следует использовать с целью нагревания тарелок под грилем, сушики полотенец и посудных полотенец, путем развешивания их на ручках, а также для обогрева помещения.

- Производитель не несет ответственности за повреждения в результате использования изделия не по назначению или неправильного обращения с ним.
- Духовой шкаф можно использовать для размораживания, выпекания, жарения и приготовления продуктов на гриле.

### **Безопасность детей**

- **ВНИМАНИЕ:** Доступные части прибора могут сильно нагреваться при использовании. Не допускайте к ним детей.
- Упаковочные материалы опасны для детей. Храните упаковочные материалы в недоступном для детей месте. Утилизируйте все упаковочные материалы в соответствии с нормами по охране окружающей среды.
- Электрическое и/или газовое оборудование представляют опасность для детей. Во время работы продукт не допускайте к нему детей, а также не разрешайте им играть с ним.

- Доступны дополнительные защитные средства для предотвращения контакта с дверцей духовки. Этот компонент следует установить, если маленькие дети могут находиться в помещении.
- Не размещайте над прибором предметы, которые дети могут попытаться достать.
- Не ставьте на открытую дверцу тяжелые предметы и не позволяйте детям садиться на нее, Духовой шкаф может перевернуться, а также могут быть повреждены петли дверцы.

### **Утилизация старого изделия**

**Соответствие Директиве ЕС об утилизации электрического и электронного оборудования (WEEE) и утилизация вышедшего из употребления оборудования:**



Данное изделие соответствует Директиве ЕС об утилизации электрического и электронного оборудования (2012/19/EU). Данное изделие имеет маркировку, указывающую на утилизацию его как электрического и электронного оборудования (WEEE).

Это изделие произведено из высококачественных деталей и материалов, которые подлежат повторному использованию и переработке. Поэтому не выбрасывайте

изделие с обычными бытовыми отходами после завершения его эксплуатации. Его следует сдать в соответствующий центр по утилизации электрического и электронного оборудования. О местонахождении таких центров вы можете узнать в местных органах власти.

### **Соответствие Директиве ЕС об ограничении содержания вредных веществ (RoHS):**

Приобретенное вами изделие соответствует Директиве ЕС о правилах ограничения содержания вредных веществ (2011/65/EU). Оно не содержит

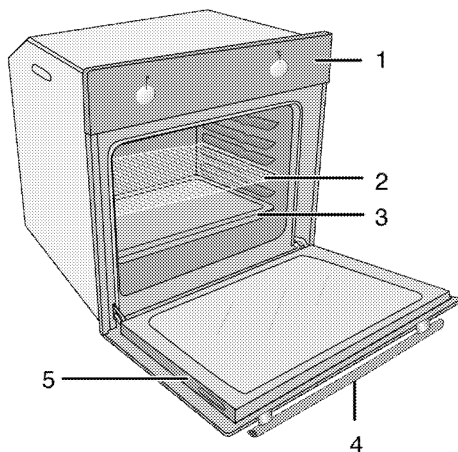
вредных и запрещенных материалов, указанных в Директиве.

### **Утилизация упаковочных материалов**

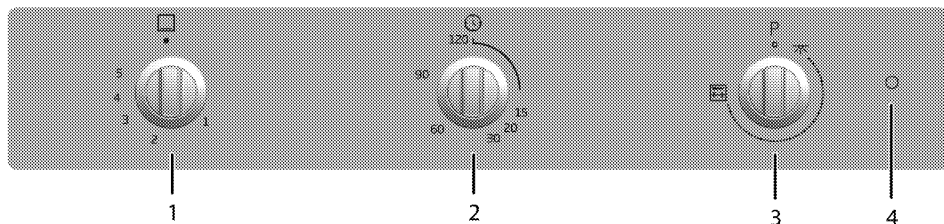
- Упаковочные материалы опасны для детей. Храните упаковочные материалы в безопасном и недоступном для детей месте. Упаковочные материалы изделия изготовлены из материалов, подлежащих вторичной переработке. Утилизируйте их соответствующим образом и сортируйте согласно инструкций по обращению с отходами, подлежащими вторичной переработке. Не утилизируйте их вместе с обычными бытовыми отходами.

## 2 Общие сведения

### Обзор



- 1 Панель управления
- 2 Проволочная решетка
- 3 Протвень
- 4 Ручка дверцы
- 5 Дверца



- 1 Ручка духового шкафа
- 2 Механический таймер
- 3 Ручка функции гриля
- 4 Сигнальная лампочка

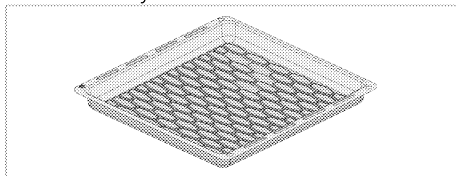
## Содержание упаковки

**i** Изделие комплектуется различным набором дополнительных принадлежностей в зависимости от модели. Некоторые дополнительные принадлежности, описанные в руководстве пользователя, в комплекте этого изделия могут отсутствовать.

### 1. Руководство пользователя

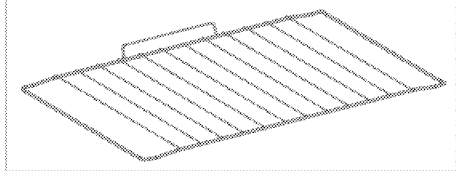
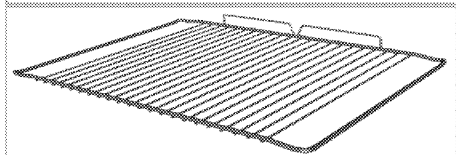
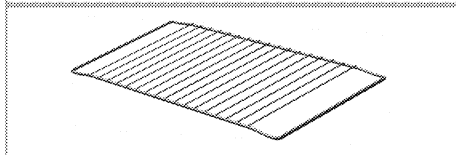
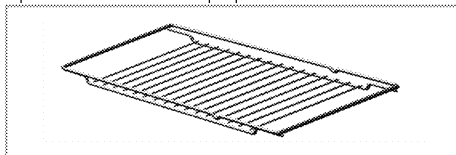
### 2. Стандартный противень

Предназначен для выпечки изделий из теста, размораживания замороженных продуктов и жарения продуктов большими кусками.



### 3. Решетка

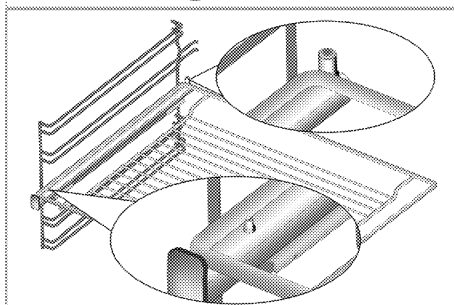
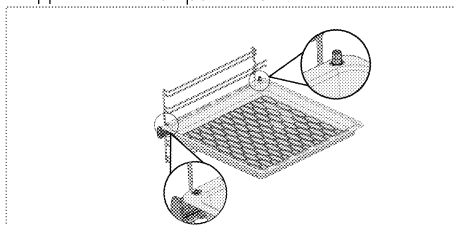
Предназначена для жарения, а также для размещения продуктов на нужном уровне при выпечке, жарении или приготвлении в формах.



### 4. Правильное расположение проволочной решетки на выдвижных направляющих

**(Данная функция \_ дополнительная. Она может отсутствовать в вашем изделии.)**

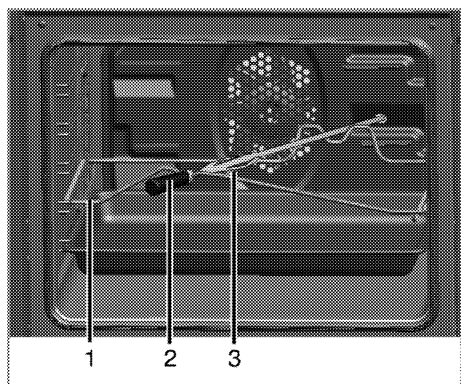
Благодаря наличию выдвижных направляющих можно легко устанавливать и выдвигать противни и проволочную решетку. При установке противней или проволочной решетки следите за тем, чтобы края противня или решетки опирались на штырьки, расположенные на задней части выдвижных направляющих.



### 5. Вертел

Для обжаривания мяса, птицы и рыбы со всех сторон.

- Для жарения на вертеле закрепите продукты с помощью вилки.
- Установите подставку для вертела в духовку на уровень, где расположен привод вертела.
- Вставьте острый конец вертела в гнездо привода и уложите вертел на подставку.
- При приготовлении блюд на вертеле снимите ручку.



- 1 Подставка для вертела
  - 2 Пластмассовая ручка \*
  - 3 Вилка
- \* (Может отличаться в зависимости от модели изделия.)

## Технические характеристики

Напряжение/частота	220-240 В ~ 50 Гц
Общая потребляемая мощность	2.25 кВт
Тип кабеля/сечение	мин.H05VV-FG 3 x 1,5 мм <sup>2</sup>
Категория газового прибора	Cat II 2H3+ / Cat II 2H3B/P
Установленный тип газа / давление продукта	G20, 20 мбар/
Общий расход газа	2.3 кВт
Переход на тип газа/давление <sup>§</sup> _ дополнительно	G30, 28-30 мбар/ G31, 37 мбар/ - G20, 13 мбар/ - G20, 10 мбар
Габариты (высота / ширина / глубина)	595 мм/594 мм/567 мм
Установочные размеры (высота/ширина/глубина)	**590 или 600 мм/560 мм/мин. 570 мм
Главный духовой шкаф	<b>Газовая духовка</b>
Лампочка внутреннего освещения	15/25 Вт
Гриль: потребляемая мощность	2.2 кВт
Духовка: расход газа	2.3 кВт

### Класс защиты - I

#### Степень защиты IP 42

\*\* См. раздел *Установка*, стр. 19.

**i** При усовершенствовании качества продукции технические характеристики могут быть изменены без предварительного уведомления.

**i** Иллюстрации в данном руководстве являются схематичными и могут несколько отличаться от конкретного изделия.

**i** Значения, указанные на этикетках изделия или в сопроводительной документации, получены в лабораторных условиях согласно соответствующим стандартам. Эти данные могут быть иными в зависимости от условий эксплуатации изделия.

## Характеристики горелок

Тип газа / давление	Газовая духовка
G 20/10 мбар	130
G 20/13 мбар	128

Тип газа / давление	Газовая духовка
G 20/20 мбар	110
G 30/28-30 мбар	75
G 31/ 37 мбар	75

Вы можете приобрести форсунки, не вошедшие в комплектацию вашей

модели в авторизованном сервисном центре.

#### Категории/типы/давление газа страны


Вы можете найти тип газа, давление и категорию газа, которые можно использовать в стране, где продукт будет установлен, в таблице ниже.


Коды страны	КАТЕГОРИЯ		ТИП ГАЗА И ДАВЛЕНИЕ			
FR	Cat II	2E+3+	G20,20 мбар	G25,25 мбар	G30,28 30 мбар	G31,37 мбар
BE	Cat II	2E+3+	G20,20 мбар	G25,25 мбар	G30,28 30 мбар	G31,37 мбар
RU	Cat II	2H3B/P	G20,20 мбар	G30,30 мбар	G20,13 мбар	G20,10 мбар
CZ	Cat II	2H3+	G20,20 мбар	G30,28 30 мбар	G31,37 мбар	
NL	Cat II	2E(43.46 - 45.3 MJ/m <sup>3</sup> (0°C))3B/P	G25.3,25 мбар	G20,20 мбар	G30,30 мбар	
	Cat II	2L3B/P	G25,25 мбар	G20,20 мбар	G30,30 мбар	
GB	Cat II	2H3+	G20,20 мбар	G30,28 30 мбар	G31,37 мбар	
IE	Cat II	2H3+	G20,20 мбар	G30,28 30 мбар	G31,37 мбар	
ES	Cat II	2H3+	G20,20 мбар	G30,28 30 мбар	G31,37 мбар	
PT	Cat II	2H3+	G20,20 мбар	G30,28 30 мбар	G31,37 мбар	
CH	Cat II	2H3+	G20,20 мбар	G30,28 30 мбар	G31,37 мбар	
IT	Cat II	2H3+	G20,20 мбар	G30,28 30 мбар	G31,37 мбар	
SK	Cat II	2H3+	G20,20 мбар	G30,28 30 мбар	G31,37 мбар	
CY	Cat II	2H3+	G20,20 мбар	G30,28 30 мбар	G31,37 мбар	
SI	Cat II	2H3+	G20,20 мбар	G30,28 30 мбар	G31,37 мбар	
GR	Cat II	2H3+	G20,20 мбар	G30,28 30 мбар	G31,37 мбар	
PL	Cat II	2ELS3B/P	G20,20 мбар	G2.350,13 мбар	G30,37 мбар	
	Cat II	2E3P(B/P)	G20,20 мбар	G30,37 мбар		
DE	Cat II	2E3B/P	G20,20 мбар	G30,50 мбар		
AT	Cat II	2H3B/P	G20,20 мбар	G30,50 мбар		
SE	Cat II	2H3B/P	G20,20 мбар	G30,30 мбар		
LT	Cat II	2H3B/P	G20,20 мбар	G30,30 мбар		
NO	Cat II	2H3B/P	G20,20 мбар	G30,30 мбар		
RO	Cat II	2H3B/P	G20,20 мбар	G30,30 мбар		
DK	Cat II	2H3B/P	G20,20 мбар	G30,30 мбар		
EE	Cat II	2H3B/P	G20,20 мбар	G30,30 мбар		
MA	Cat II	2H3B/P	G20,20 мбар	G30,30 мбар		
FI	Cat II	2H3B/P	G20,20 мбар	G30,30 мбар		
HR	Cat II	2H3B/P	G20,20 мбар	G30,30 мбар		
TR	Cat II	2H3B/P	G20,20 мбар	G30,30 мбар		
MT	Cat I	3B/P	G30,30 мбар			
IS	Cat I	2H	G20,20 мбар			
LV	Cat I	2H	G20,20 мбар			


КОДЫ СТРАНЫ	КАТЕГОРИЯ		ТИП ГАЗА И ДАВЛЕНИЕ			
LU	Cat I	2E	G20,20 мбар			
BG	Cat I	2H	G20,20 мбар			
	Cat I	3B/P	G30,30 мбар			
HU	Cat I	2H	G20,25 мбар			
	Cat I	3B/P	G30,30 мбар			

### 3 Установка

Прибор должен устанавливаться квалифицированным специалистом в соответствии с действующими нормами и правилами. В противном случае гарантия аннулируется. Производитель не несет ответственности за повреждения в результате выполнения работ лицами, не имеющими соответствующей квалификации. Это может привести к аннулированию гарантии.

 Подготовка места установки, электрического и газового оборудования обеспечивается покупателем.

 Бытовой прибор следует устанавливать в соответствии со всеми местными нормами по подключению газового и/или электрического оборудования.

 Прежде чем приступить к установке, визуально проверьте отсутствие внешних дефектов продукт. При наличии дефектов не устанавливайте его. Поврежденные электроприборы представляют собой угрозу вашей безопасности.


#### До начала установки

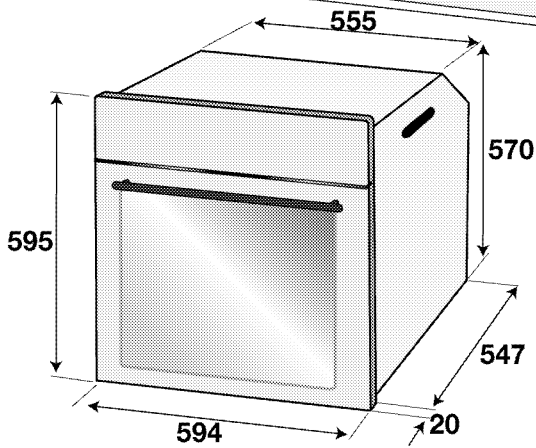
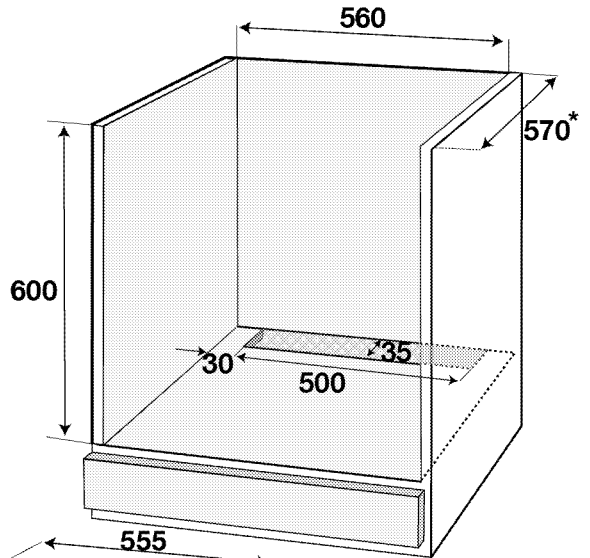
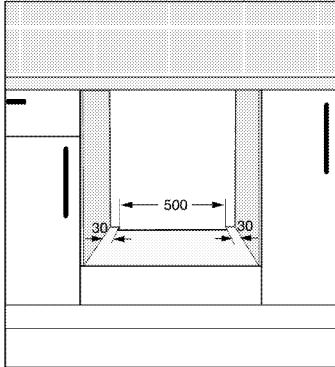
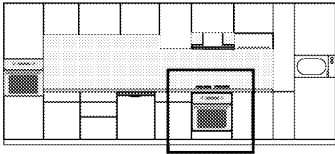
Прибор предназначен для установки в стандартную кухонную мебель, имеющуюся в продаже. Между бытовой техникой, стенами кухни и мебелью следует оставить определенное

безопасное расстояние. См. рисунок (размеры приведены в миллиметрах).

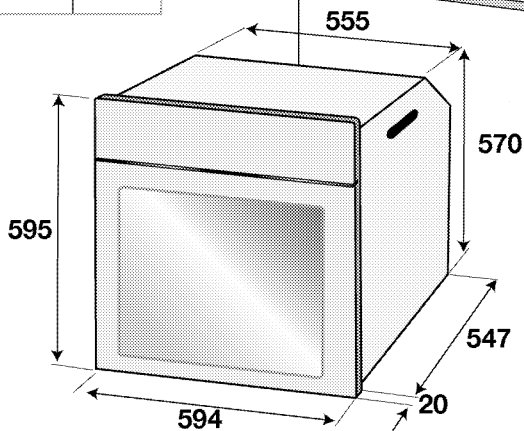
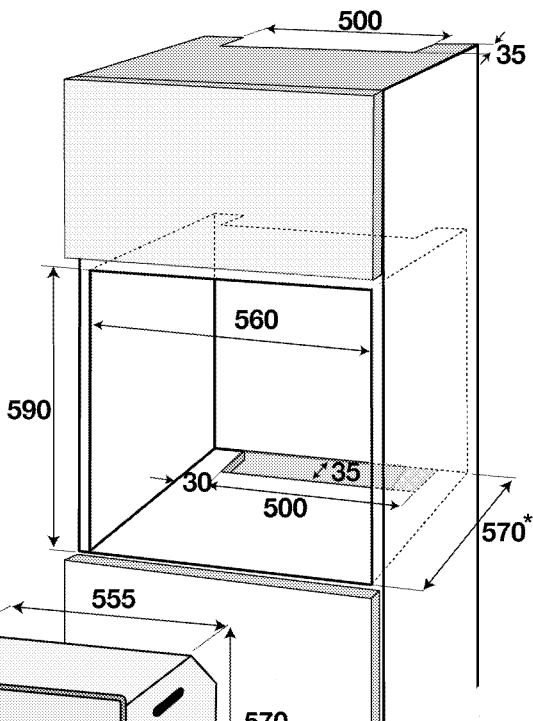
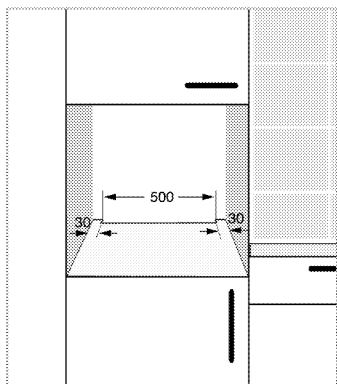
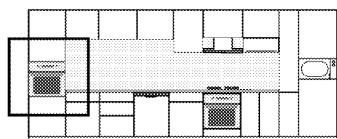
- Используемые поверхности, синтетические покрытия и клеи должны быть термостойкими (не менее 100 °C).
- Кухонные шкафчики должны быть выровнены по уровню и закреплены.
- Если под духовкой есть выдвижной ящик, между ним и духовкой необходимо установить перегородку.
- Переноску устройства должны выполнять не менее двух человек.
- Для перемещения печи возьмитесь за пазы для переноски на обеих сторонах.
- Перед установкой печи извлеките все материалы и документы, находящиеся внутри ее.
- Размеры кухонной мебели должны соответствовать указанным на рисунке ниже. Для обеспечения достаточной вентиляции в задней части кухонной мебели необходимо выполнить отверстие, размер которого соответствует указанному на рисунке ниже.
- Этот продукт является устройством класса 3 в соответствии со стандартом EN 30-1-1.

 Не устанавливайте изделие рядом с холодильником или морозильной камерой. Поскольку духовой шкаф излучает тепло, холодильники будут потреблять больше электроэнергии.

 Не перемешайте устройство, держась за дверцу и/или за ручку дверцы.



\* МИН.



\* МИН.

### Вентиляция помещения

Во всех помещениях должно быть открывающееся окно, а в некоторых помещениях потребуется также наличие постоянной вентиляции. Забор воздуха для процесса горения производится в помещении, и уходящие газы выделяются непосредственно в помещение. Поэтому для безопасной эксплуатации устройства необходимо обеспечить в помещении хорошую вентиляцию.

### Помещения с дверями и (или) окнами, которые открываются непосредственно наружу

В дверях и (или) окнах, которые открываются непосредственно наружу, должно быть общее вентиляционное отверстие с размерами, указанными в таблице ниже, с учетом общей мощности газового потока устройства (общая потребляемая мощность газового потока устройства показана в таблице технических характеристик в данном руководстве пользователя). Если в

дверях и (или) окнах нет обшего вентиляционного отверстия, соответствующего общему расходу газа устройства, как указано в таблице ниже, тогда в помещении обязательно должно быть дополнительное постоянное вентиляционное отверстие, чтобы обеспечить выполнение общих минимальных требований к вентиляции в соответствии с общим расходом газа в данном устройстве. В качестве постоянного вентиляционного отверстия можно применить отверстия для существующих воздуховодов, например отверстия с размерами воздуховода бытовой вытяжки и т. д.

Общий расход газа (кВт)	мин. вентиляционное отверстие (см <sup>2</sup> )
0 2	100
2 3	120
3 4	175
4 6	300
6 8	400
8 10	500
10 11,5	600
11,5 13	700
13 15,5	800
15,5 17	900
17 19	1000
19 24	1250

### **Помещения, не имеющие дверей и (или) окон, которые могут открываться непосредственно наружу**

Если в помещении, где устанавливается устройство, отсутствуют дверь и (или) окно, которые открываются непосредственно наружу, следует найти иную продукцию, определенно позволяющую обеспечить наличие постоянного нерегулируемого и незакрываемого вентиляционного отверстия и выполнение общих минимальных требований к вентиляции в соответствии с общим расходом газа в данном устройстве, как указано в приведенной выше таблице. Кроме того,

следует соблюдать соответствующие рекомендации по строительным нормам. Если помещение или внутреннее пространство содержит более одного газового устройства, то в дополнение к требованию, указанному в таблице выше, должна быть обеспечена зона дополнительной вентиляции. Размер дополнительной вентиляционной зоны должен соответствовать требованиям других газовых приборов.

В помещении, где установлено изделие, также должен быть предусмотрен минимальный свободный зазор 10 мм между полом и нижним краем двери, которая открывается внутрь помещения. Необходимо обеспечить, чтобы такие изделия, как ковры, перекрытия и т. д., не перекрывали данное свободное пространство, когда дверь закрыта. Плита может устанавливаться в кухне, в кухне-столовой или в жилой комнате, но не в помещении с ванной или душем. Варочную поверхность запрещается устанавливать в жилой комнате площадью менее 20 кв. м.<sup>3</sup>. Не устанавливайте продукт в помещении, находящемся ниже уровня поверхности, если оно не выходит на уровень поверхности хотя бы одной стороной.


### **Установка и подключение**


- Бытовой прибор следует устанавливать в соответствии со всеми местными нормами по подключению газового и электрического оборудования.

### **Подключение к электросети**


Подключайте изделие к розетке или линии с заземлением, защищенной миниатюрным автоматическим выключателем с соответствующим номиналом, который указан в таблице «Технические характеристики». Установку заземления должен выполнять квалифицированный электрик (при использовании изделия с трансформатором или без него). Наша компания не несет ответственности за ущерб, понесенный вследствие


использования изделия без заземления, выполненного в соответствии с местными нормами и правилами.

 Подключение прибора к электросети должен выполнять квалифицированный специалист, имеющий право на выполнение таких работ. Гарантийный период начинается только после правильной установки. Производитель не несет ответственности за повреждения в результате выполнения работ лицами, не имеющими соответствующей квалификации.

 Шнур питания не должен быть сдавлен, изогнут или зажат, а также не должен соприкасаться с нагревающимися компонентами изделия. Замену поврежденного шнура питания должен выполнять квалифицированный электрик. В противном случае это может привести к поражению электрическим током, короткому замыканию или возгоранию!

- Подключение должно выполняться в соответствии с национальными нормами.
- Параметры электрической сети должны соответствовать данным, указанным на паспортной табличке прибора. Табличку с данными можно увидеть, открыв переднюю дверцу.
- Шнур питания прибора должен соответствовать параметрам, указанным в таблице "Технические характеристики".


 Перед выполнением каких-либо электромонтажных работ отключите прибор от электрической сети. Существует риск поражения электрическим током!

 К штепсельной вилке шнура питания после установки должен быть обеспечен легкий доступ (не прокладывайте шнур над варочной поверхностью).

 При монтаже проводки необходимо соблюдать национальные/местные электротехнические правила и нормы, а также использовать соответствующие розетки/штепсельные вилки и вилку для духовки. В случае если предельные значения мощности продукции превышают допустимую нагрузку на вилку и розетку, изделие должно быть подключено через стационарное электрическое оборудование напрямую без использования вилки и розетки.

Включите шнур питания в розетку.

## Подключение к газовой магистрали

 **Общие предупреждения**

- Существует риск взрыва, пожара и отравления, если установка, ремонт или подключение производятся неуполномоченным/нелицензированным/неквалифицированным лицом или техником.
- Перед размещением продукта убедитесь, что местные условия распределения (тип газа и давление) и настройки газа продукта соответствуют этим условиям. Условия регулировки газа и значения продукта указаны на этикетках (или на заводской табличке).
- Если код вашей страны не указан на этикетке, следуйте локальным техническим инструкциям вашей страны для подключения и преобразования газа.
- Изделие должно быть подключено к системе газоснабжения только уполномоченным/лицензированным/квалифицированным лицом или техническим специалистом.

- Производитель не несет ответственности за ущерб, возникший от процедур, выполненных неуполномоченным/нелицензированным/ неквалифицированным лицом или техническим специалистом.
- Перед началом любых работ по установке газовых приборов отключите подачу газа. Существует опасность взрыва!
- **Если вам потребуется использовать изделие с другим типом газа, вам нужно проконсультироваться с авторизованным/имеющим лицензию/квалифицированным специалистом или техническим специалистом о соответствующей процедуре переоборудования.**
- Проследите, чтобы газовое соединение тщательно проверяется на герметичность после каждого использования. Производитель не несет ответственности за повреждения, которые могут возникнуть из-за утечки газа, от подключения газа или преобразования, произведенного неуполномоченными/не имеющими лицензии лицами.



### Опасность возгорания:

Если вы не выполните подключение в соответствии с приведенными ниже инструкциями, существует риск утечки газа и возгорания. **Наша компания не несет ответственности за причиненный этим ущерб.**

- Подключение газа должно производиться только уполномоченным/лицензированным/квалифицированным специалистом.
- Убедитесь, что используемый газовый шланг для подключения газа, соответствует местным газовым стандартам.
- Гибкий газовый шланг должен быть подсоединен так, чтобы он не соприкасался с движущимися частями и горячими поверхностями (показано на рисунках ниже) вокруг него и не застрял при перемещении движущихся

- частей. (например, выдвигаемые ящики). Кроме того, его нельзя размещать в местах, где он может быть придавлен.
- Не перемешайте устройство подключения газа которого завершено. Если его сдвинуть, может возникнуть риск утечки газа.
- Газовый шланг следует подсоединять, делая повороты под широким углом, для исключения возможности разрыва и складывания во время подсоединения.
- Газовый шланг не должен быть раздавлен, согнут, заземлен, касаться острых углов или контактировать с горячими частями изделия и посудой на изделии. Существует опасность взрыва из-за повреждения газового шланга!
- Газовый шланг не должен контактировать с деталями, температура которых может быть на 70°C выше комнатной.
- Для подключения газа и переоборудования необходим гаечный ключ.

### Детали для подключения к газу

Детали и инструменты, которые могут потребоваться для подключения газа, приведены ниже. В зависимости от модели данные детали могут не поставляться с изделием. Используемые детали газовых соединений могут меняться в зависимости от типа газа и правил страны.

	Герметичное уплотнение
	Соединительный элемент для природного газа (G20, G25) EN 10226 R1/2"
	Соединительный элемент для сжиженного газа (G30, G31)

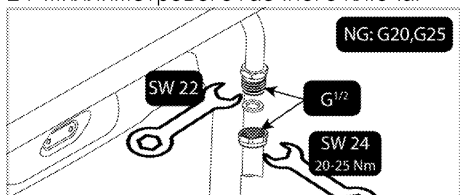
	Соединительный элемент для выпуска газа
	Заглушка

### Подключение газа- NG

- Перед установкой изделия необходимо соответствующим образом подготовить газовую установку. На выходе газовой системы, подключаемой к изделию, должен иметься клапан подачи природного газа.
- Убедитесь, что клапан природного газа легко доступен.
- Подключите устройство к системе подачи природного газа в вашем доме при помощи гибкого газового шланга, соответствующего местным стандартам.
- При подсоединении газа нужно использовать новую уплотнительную прокладку.
- Поддача газа должна быть подсоединена через газовую трубу или безопасный газовый шланг с муфтовой арматурой на обоих концах.
- Подключение осуществимо двумя различными способами:
  - Соединение типа EN ISO 228 G1/2"
  - Соединение типа EN 10226 R1/2"

### Соединение типа EN ISO 228 G1/2"

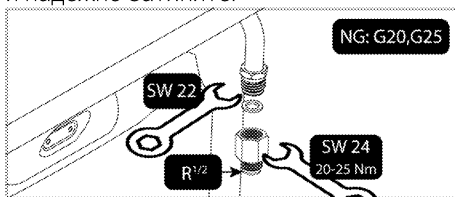
1. Установите новое уплотнение в соединительную деталь и убедитесь в правильной установке.
2. Закрепите газовую соединительную деталь на приборе с помощью 22-миллиметрового гаечного ключа и вставьте соединительную деталь в соединительную деталь при помощи 24-миллиметрового гаечного ключа.



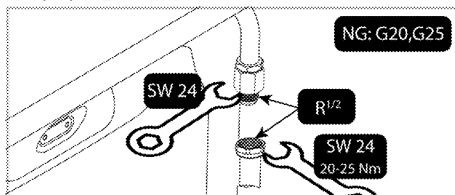
3. После подключения нужно проверить соединительную деталь на герметичность.

### EN 10226 Соединение типа R1/2"

1. Установите новое уплотнение в соединительную деталь для природного газа и убедитесь в правильной установке.
2. Удерживая выход газового соединения изделия зафиксированным ключем 22, подсоедините соединительную деталь к газовому выходу изделия ключем 24 и надежно затяните.



3. Оберните уплотнительный состав вокруг резьбовой части соединителя. Подсоедините резьбовую часть шланга/трубы для безопасного газа к соединителю гаечным ключем 24-мм и надежно затяните, удерживая соединитель на месте гаечным ключем 24-мм.



4. После подключения нужно проверить соединительную деталь на герметичность.

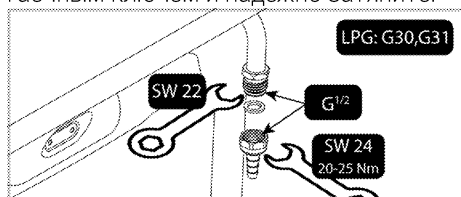
### Подключение газа - сжиженный газ

- Ваше устройство должно быть подключено близко к газовому патрубку, для предотвращения утечки газа.
- Перед подключением газа снабдите его пластиковым газовым шлангом и подходящим монтажным зажимом. Внутренний диаметр пластикового газового шланга должен быть 10 мм, а длина не должна превышать 150 см. Пластиковый шланг должен быть герметичным и контролепригодный.

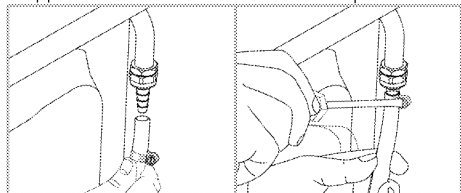
- Газовые приборы и системы необходимо регулярно проверять на исправность. Регулятор, шланг и его зажим необходимо регулярно проверять и заменять в сроки, рекомендованные его производителем, или при необходимости.
- При подсоединении газа нужно использовать новую уплотнительную прокладку.
- Подключение газа должно осуществляться газовым шлангом или стационарным соединением.

### Соединение с газовым шлангом

1. Установите новое уплотнение в соединительную деталь для жидкого газа и убедитесь в правильной установке.
2. Закрепите газовый соединительный выход изделия 22-миллиметровым гаечным ключом, подсоедините соединительную деталь к газовому патрубку изделия 24-миллиметровым гаечным ключом и надежно затяните.



3. Установите монтажный зажим на один конец шланга. Размягчите конец газового шланга, к которому вы прикрепили зажим, поместив его на одну минуту в кипящую воду.
4. Вставьте шланг с размягченным газом полностью в соединительную деталь. Надежно затяните зажим отверткой.



5. После подключения нужно проверить соединительную деталь на герметичность.

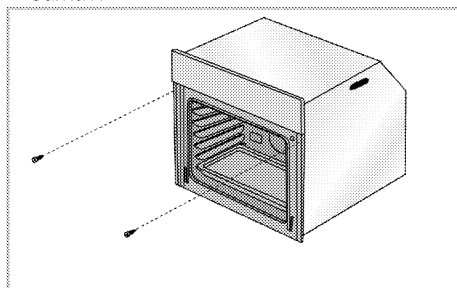
### Проверка герметичности в месте подключения

- Убедитесь, что все ручки на изделии выключены. Убедитесь, что подача газа открыта. Приготовьте мыльную пену и нанесите ее на место подключения шланга для контроля утечки газа.
- Мыльная часть вспенивается при утечке газа. В этом случае еще раз проверьте подключение газа.
- **Если изделие оснащено двумя газовыпускными патрубками,** обеспечьте, чтобы неиспользуемый газовыпускной патрубок был закрыт глухой заглушкой. Приготовьте мыльную пену и нанесите ее на точку установки глухой заглушки для проверки на наличие утечек газа. В случае утечки газа мыльная пена будет пузыриться. В этом случае еще раз проверьте установку глухой заглушки.
- Вместо мыла можно использовать имеющиеся в продаже спреи для проверки утечки газа.
- При утечки газа, отключите подачу газа и проветрите помещение.

**i** Ни в коем случае не используйте для проверки утечки газа спички или зажигалку.

### Инструкция по монтажу

1. Вставьте духовой шкаф в кухонную мебель, выровняйте и закрепите. Одновременно убедитесь в том, что шнур питания не поврежден и/или не зажат.

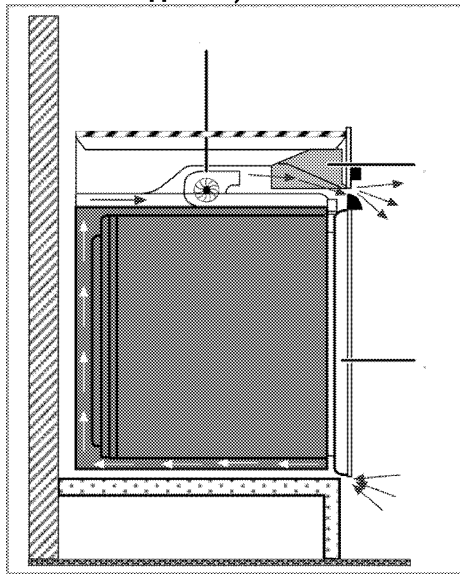


Закрепите духовой шкаф 2 винтами, как показано на рисунке.

После установки проверьте, что винты затянуты достаточно и печь

зафиксирована на месте. Печь может сместиться в течение периода использования, если установка была выполнена в нарушение инструкций и если винты затянуты недостаточно.

### Для изделий с вентилятором охлаждения (Может отсутствовать в вашем изделии.)



- 1 Вентилятор охлаждения
- 2 Панель управления
- 3 Дверца

Встроенный вентилятор охлаждения охлаждает встроенную часть прибора и переднюю панель.

Охлаждающий вентилятор начнет во время работы духовки через 10 минут. Вентиляция будет между дверцей печи и панелью управления. Если он не работает, вентилятор охлаждения может быть ошибкой. В случае контакта с

**i** Вентилятор охлаждения продолжает работать в течение 20-30 минут после выключения духового шкафа.

### Окончательная проверка

1. Эксплуатация изделия.
2. Проверьте, произошло ли включение.

3. Откройте подачу газа.
4. Проверьте места подключения газа на надежность закрепления и герметичность.

**i** Пламя должно быть голубым и иметь обычную форму. Если пламя имеет желтоватый оттенок, проверьте положение накладки горелки или прочистите горелку.

### Переход на другой вид газа

#### **!** Общие предупреждения

- Перед началом любых работ по установке газовых приборов отключите подачу газа. Существует опасность взрыва!
- Все газовые инжекторы должны быть заменены, а регулировка горения газовых кранов должна производиться в нерабочем положении, чтобы сделать устройство пригодным для пользования с другим газом.
- После смены типа газа этикетка с новым типом газа на запасном мешке должна быть наклеена на текущую этикетку, уже имеющуюся на задней стенке изделия.
- Тип конвертируемого газа и категории газа вашего устройства по стране указаны в разделе «Категории/типы/давление газа для страны». См. таблицу в этой таблице, чтобы узнать, какие виды газа вы можете конвертировать в вашем регионе. Вы не можете преобразовать в неуказанные типы газа в данной таблице.
- Запасной инжектор, подходящий для того типа газа, который вы хотите преобразовать, может не поставляться с продуктом. Вы можете приобрести инжектор в авторизованном сервисном центре или в месте, где вы приобрели изделие.
- Значения инжекторов и типы газов, которые нужно использовать для горелок, приведены в конце раздела. Выполните подключение типа газа, который необходимо переоборудовать,

как описано в разделе о подключении газа.

### Детали для преобразования газа

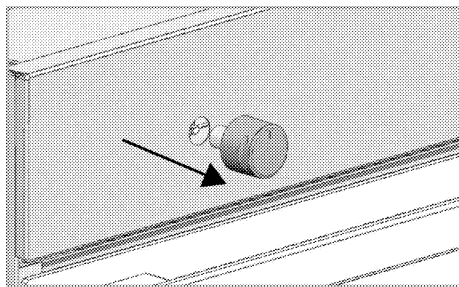
Ниже приведены изображения деталей и инструментов, которые могут потребоваться при преобразовании газа. В зависимости от модели данные детали могут не поставляться с изделием.

	Перепускной канал
	Инжектор горелки

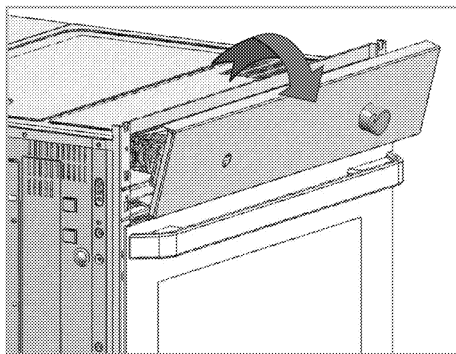
### Регулировка для уменьшения подачи газа к духовке

Для надлежащей работы духовки очень важно правильно выполнить регулировку для уменьшения подачи газа. Чтобы обеспечить безопасную эксплуатацию устройства, будьте предельно внимательны при выполнении этих действий.

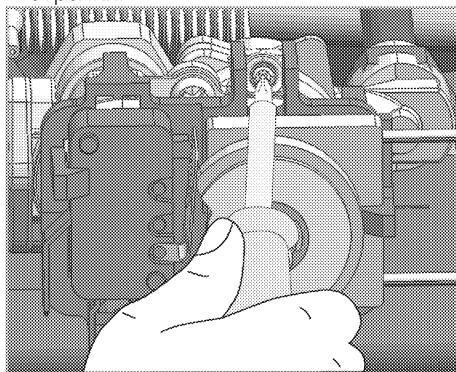
1. Выньте ручку термостата, потянув ее на себя.



2. Отвинтите винты, расположенные сбоку панели управления и снимите нижний шиток панели.
3. Выньте панель управления из двух вырезов и оставьте в свободном положении, не нарушая подсоединение кабелей.



4. Зажгите горелку, которую нужно отрегулировать, и установите ручку регулятора в положение максимального пламени. Термостат реагирует на тепло газового пламени. Установите его в положение малого огня и проверьте, уменьшился ли размер пламени.
5. Отрегулируйте высоту пламени с помощью винта на газовом кране духовки. Чтобы увеличить пламя, поверните винт по часовой стрелке, чтобы уменьшить – против часовой стрелки.

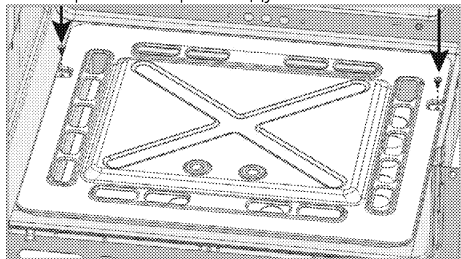


**i** Если температура в духовке повысится чрезмерно, выключите духовку и обратитесь в фирменный сервисный центр, чтобы отремонтировать термостат.

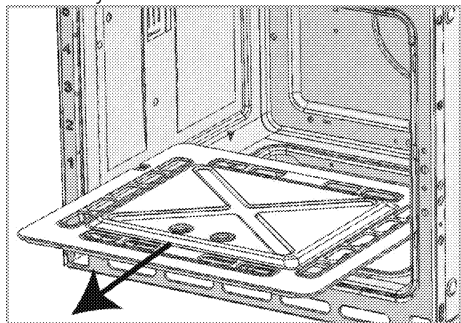
### Замена форсунки в газовой духовке

1. Переведите все кнопки управления на панели управления в положение выкл.
2. Отключите подачу газа.

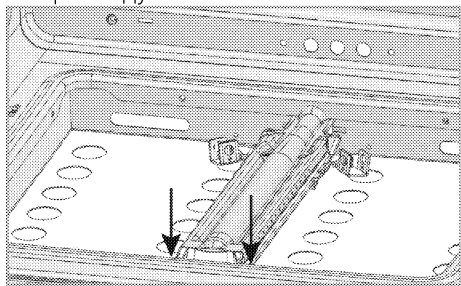
3. Откройте дверцу духовки.
4. Открутите два винта, расположенные на крышке горелки духовки.



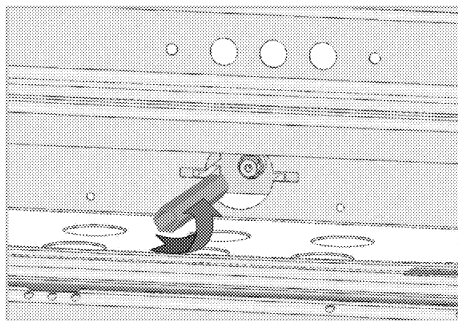
5. Снимите крышку горелки духовки, потянув ее к себе.



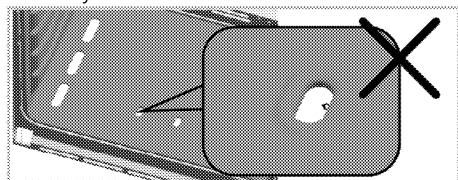
6. Удалите винты, расположенные на горелке духовки.



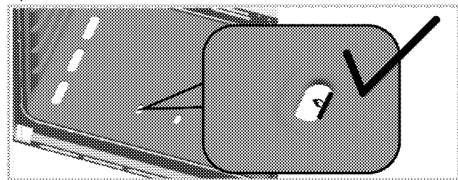
7. Выньте горелку духовки из корпуса.
8. Вывинтите форсунку, поворачивая против часовой стрелки.



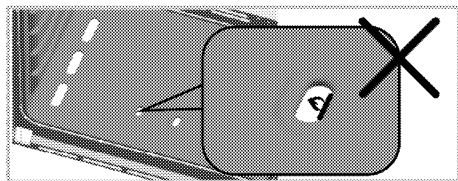
9. Вставьте новую форсунку. Установите оптимальную высоту пламени, как показано на рисунке ниже, с помощью винта 1 на газовом кране духовки. Если повернуть по часовой стрелке, пламя уменьшится; если повернуть против часовой стрелки, пламя увеличится.



Если пламя слишком слабое,  
\* температура в духовке может быть слишком низкой, что может отрицательно сказаться на процессе приготовления.



Максимальная эффективность достигается при правильной величине пламени.



Если пламя слишком сильное,  
\* температура в духовке может быть слишком высокой, что может

отрицательно сказаться на процессе приготовления.

**i** После регулировки величины пламени необходимо открыть и закрыть двери несколько раз, чтобы убедиться, что пламя не выходит за пределы духовки.

**i** При замене типа газа необходимо также заменить и паспортную табличку прибора, содержащую информацию о потребляемом газе.

<b>Природный газ в бутан/пропан (сжиженный газ)</b>	<b>Бутан/пропан (сжиженный газ) в природный газ (G2 350 13мбар Местный газ из Польши)</b>
Затяните винт по часовой стрелке до конца.	Ослабьте винт. 360°(приблизительно)
	

**i** Регулировка уменьшения подачи газа может отличаться в зависимости от типа изделия, горелки и газа. Убедитесь, что высота пламени соответствует той, что указана на рисунке вверху.

### Проверка форсунок на наличие утечки

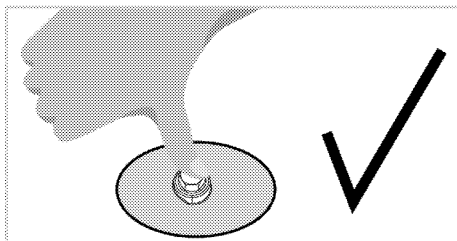
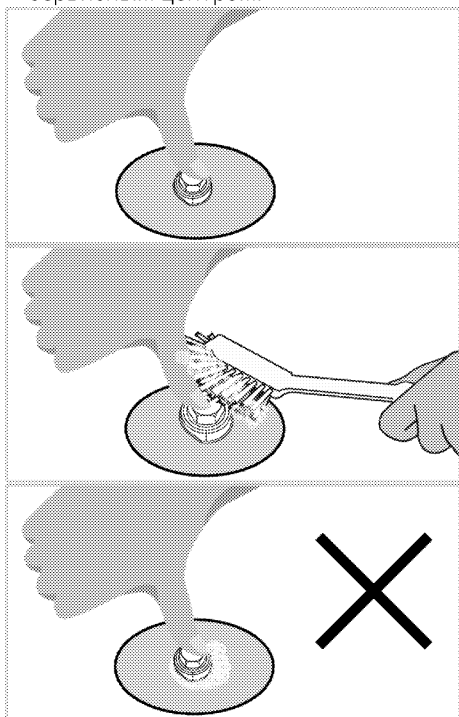
Перед выполнением конверсии изделия убедитесь, что все ручки управления находятся в выключенном положении. После правильной конверсии форсунок необходимо проверить каждую форсунку на утечку газа.

1. Убедитесь, что включена подача газа к изделию, при этом все ручки управления должны быть выключены.
2. Каждое отверстие в форсунке блокируется пальцем, прикладывая разумное усилие, чтобы остановить утечку газа, когда соответствующая ручка управления включается и удерживается в нажатом положении, позволяя газу попасть в форсунку.
3. Нанесите подготовленную мыльную воду на соединение форсунки с помощью небольшой щетки. Если в месте соединения форсунки есть утечка газа, мыльная вода начнет пениться. В этом случае затяните форсунку с разумным усилием и повторите шаг 3 еще раз.
4. Если пена появляется снова, необходимо немедленно отключить подачу газа на изделие и вызвать

<b>Природный газ в бутан/пропан (сжиженный газ)</b>	<b>Бутан/пропан (сжиженный газ) в природный газ(G20 20мбар/ G25 25 мбар / G25.3 25мбар)</b>
Затяните винт по часовой стрелке до конца.	Ослабьте винт. 180°(приблизительно)
	

<b>Природный газ в бутан/пропан (сжиженный газ)</b>	<b>Бутан/пропан (сжиженный газ) в природный газ (G20 10мбар/ G20 13 мбар)</b>
Затяните винт по часовой стрелке до конца.	Ослабьте винт. 270°(приблизительно)
	

специалиста из авторизованного сервисного центра или мастера с лицензией. Не используйте изделие до проведения работ авторизованным сервисным центром.



### Для будущей транспортировки

- Сохраните оригинальную упаковочную коробку и перевозите прибор в ней. Следуйте указаниям, нанесенным на упаковке. Если оригинальная упаковочная коробка не сохранилась, заверните изделие в пузырчатую упаковку или поместите в плотный картон. Надежно заклейте клейкой лентой.
  - Чтобы проволочная решетка и противень, которые хранятся внутри духовки, не повредили дверцу, поместите с внутренней стороны дверцы картонную полоску вровень с противнями. Прикрепите дверцу духового шкафа к боковым стенкам клейкой лентой.
  - Не поднимайте и не передвигайте духовой шкаф, держась за дверцу или за ручку дверцы.
- i** Не размещайте на приборе никаких предметов и не ставьте его вертикально.
- i** Осмотрите прибор снаружи на предмет возможных повреждений при транспортировке.

## 4 Подготовка к эксплуатации

### Рекомендации по экономии электроэнергии

Эти рекомендации помогут вам использовать изделие экологически чистым способом и экономить электроэнергию.

- Используйте в духовом шкафу темную или эмалированную посуду: это позволит улучшить теплопередачу.
- Прогревайте духовой шкаф перед приготовлением пищи, если это рекомендуется в руководстве пользователя или в инструкциях по приготовлению продуктов.
- Во время приготовления пищи не открывайте дверцу духового шкафа слишком часто.
- По возможности старайтесь готовить в духовом шкафу несколько блюд одновременно. При приготовлении пищи на решетку можно устанавливать по две емкости с продуктами.
- Готовьте блюда одно за другим. Духовой шкаф уже будет прогрет.
- Размораживайте замороженные продукты перед приготовлением.
- Информацию об энергоэффективности в соответствии с EU 66/2014 можно найти в спецификации продукта, прилагаемой к продукту.

### Подготовка к эксплуатации

#### Очистка прибора перед началом эксплуатации



Некоторые моющие средства и чистящие материалы могут повредить поверхность. Не используйте для чистки агрессивные моющие средства, чистящие порошки/кремы, а также острые предметы.

1. Снимите все упаковочные материалы.
2. Протрите поверхность прибора влажной тканью или губкой и вытрите насухо.

### Первоначальный прогрев

Прогрейте прибор в течение 30 минут, а затем выключите. Это обеспечит выгорание и удаление производственных загрязнений и покрытий.



Горячие поверхности могут причинить ожоги!

Во время работы прибор может сильно нагреваться. Не прикасайтесь к горячим конфоркам, внутренним частям духового шкафа, нагревательным элементам и т.п. Не разрешайте детям приближаться к нему. Помешая продукты в горячий духовой шкаф или вынимая их оттуда, обязательно пользуйтесь термостойкими перчатками.

### Газовая духовка

1. Выньте из духового шкафа все противни и решетки.
2. Закройте дверцу духового шкафа.
3. Включите газовую духовку на максимальную мощность (см. раздел *Правила эксплуатации газовой духовки*, стр. 35).
4. Дайте духовому шкафу поработать около 30 минут.
5. Затем выключите духовой шкаф (см. раздел *Правила эксплуатации газовой духовки*, стр. 35).

### Духовой шкаф с грилем

1. Выньте из духового шкафа все противни и решетки.
2. Закройте дверцу духового шкафа.
3. Включите гриль на максимальную мощность (см. раздел *Как пользоваться грилем*, стр. 37).
4. Дайте духовому шкафу поработать около 15 минут.
5. Затем выключите духовой шкаф (см. раздел *Как пользоваться грилем*, стр. 37).

**i** При первом включении в течение нескольких часов возможно выделение дыма и запаха. Это вполне нормально. Убедитесь, что кухня хорошо проветривается, чтобы удалить дым и запах. Не вдыхайте выделяющиеся дым и запахи.

## 5 Правила эксплуатации духовки

### Общие сведения о выпекании, жарении и приготовлении на гриле



Горячие поверхности могут причинить ожоги!

Во время работы прибор может сильно нагреваться. Не прикасайтесь к горячим конфоркам, внутренним частям духового шкафа, нагревательным элементам и т.п. Не разрешайте детям приближаться к нему. Помещая продукты в горячий духовой шкаф или вынимая их оттуда, обязательно пользуйтесь термостойкими рукавицами.



Будьте осторожны, открывая дверцу духового шкафа, так как наружу может выходить пар. Выпускаемый пар может обжечь вам руки, лицо и/или глаза.

### Советы по выпеканию

- Используйте антипригарные металлические тарелки или алюминиевые контейнеры с соответствующим покрытием, либо термостойкие силиконовые формы.
- Рационально используйте площадь решетки.
- Устанавливайте форму для выпекания в середине решетки.
- Выбирайте правильное положение решетки перед включением духового шкафа или гриля. Не изменяйте положение решетки, когда духовой шкаф горячий.
- Держите закрытой дверцу шкафа.

### Советы по приготовлению жареных блюд

- Тушку курицы или индейки и большие куски мяса перед приготовлением рекомендуется сбрызнуть лимонным соком и посыпать черным перцем. Тогда готовое блюдо будет вкуснее.

- Мясо с костями следует жарить на 15-30 минут дальше, чем такое же количества мяса без костей.
- На каждый сантиметр толщины мяса требуется приблизительно 4-5 минут времени приготовления.
- По истечении времени приготовления мяса оставьте его в духовом шкафу примерно на 10 минут. Сок лучше распределится внутри куска жареного мяса и не будет вытекать, когда вы будете разрезать мясо.
- Рыбу в термостойкой посуде следует готовить на решетке, установленной на средний или нижний уровень.

### Советы по приготовлению продуктов на гриле

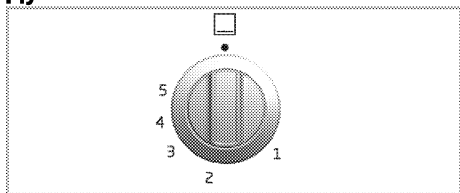
При приготовлении на гриле мясо, рыба или птица быстро подрумянивается, сверху образуется хрустящая корочка, и продукт не пересыхает. На гриле можно отлично приготовить не только тонкие куски мяса, шашлыки и сосиски, но и овощи с большим содержанием жидкости (например, помидоры и лук).

- Для приготовления на гриле разложите куски продуктов на решетке или на противне с решеткой так, чтобы площадь, занимаемая продуктами, соответствовала размерам нагревательного элемента.
- Вставьте проволочную решетку или противень с решеткой в духовой шкаф на нужный уровень. Если продукты готовятся на проволочной решетке, то для сбора жира установите противень на нижний уровень. Используемый противень по размерам должен соответствовать площади, занимаемой готовящимися продуктами. Такой противень может не входить в комплект изделия. Для облегчения очистки противня налейте в него немного воды.



Продукты, которые не подходят для приготовления на гриле, могут привести к возгоранию. На гриле можно готовить только такие продукты, которые выдерживают интенсивный нагрев. Не размешайте продукты слишком близко к задней части гриля. Эта зона нагревается сильнее всего, и жирные продукты могут загореться.

## Правила эксплуатации газовой духовки



Для управления газовой духовкой используется ручка регулятора газовой горелки. При положении "Выключено" (вверх) подача газа прекращается.

### Включение газовой духовки

Розжиг газовой духовки выполняется автоматически при повороте ручки регулятора газовой горелки.

1. Прижмите ручку регулятора газовой горелки духовки и поверните ее **против часовой стрелки**.

» При этом вспыхнет искра, и газ зажжется.

2. Прижмите и не отпускайте ручку регулятора газовой горелки духовки в течение 3–5 секунд.

3. Проверьте, появилось ли пламя.

4. Выберите нужную мощность горелки, установив регулятор на соответствующую отметку.

5. В случае отсутствия электричества зажгите газ с помощью зажигалки для газовой плиты через контрольное отверстие.



Существует риск сжатия газа и взрыва! Не пытайтесь разжечь газ дольше 15 секунд. Если в течение 15 секунд розжиг горелки не произошел, выключите варочную панель и подождите 1 минуту. Проветрите помещение, прежде чем повторить попытку розжига горелки. Существует риск сжатия газа и взрыва!

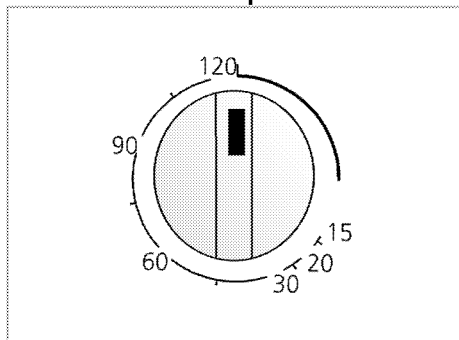
### Выключение газовой духовки

1. Поверните ручку регулятора горелки духовки в положение "Выключено" (вверх).

Температура нагрева при различных уровнях мощности газовых горелок:

Уровень мощности газовой горелки	1	2	3	4	5
Температура в °С	165	175	190	225	280

### Использование часов в качестве сигнального таймера



Сигнальный таймер не влияет на работу духового шкафа. Он используется только для предупреждения. Например, его можно использовать для напоминания о том, что в определенное время нужно перевернуть продукты в духовом шкафу. Сигнальный таймер выдает сигнал по истечении заданного времени./Paragraph

## Настройка сигнального таймера

1. Чтобы изменить длительность звукового сигнала, поверните ручку «Time Adjustment» (Установка времени) по часовой стрелке.
2. По истечении времени приготовления прозвучит звуковой сигнал, и ручка автоматически повернется против часовой стрелки. Сигнальный таймер не влияет на работу духовки.

**i** Выключите духовку, повернув ручку выбора функций по часовой стрелке в положение «Выключено».

## Режимы работы

Приведенная здесь последовательность режимов работы может отличаться от вашей модели.

### Лампа освещения духовки



Духовой шкаф не нагревается. Включено только освещение духовки. Чтобы камеры не нагревались, можно дополнительно использовать внешний охлаждающий вентилятор. Остальные режимы предназначены для приготовления пищи. Для приготовления блюда установите соответствующую температуру.

### Full grill with turnspit (Усил. гриль с вертелом)



Включены нагреватель гриля (в усиленном режиме) и вертел. Подходит для обжаривания на вертеле больших кусков мяса.

## Время приготовления блюд

- i** 1-й полкой духового шкафа является **нижний** уровень.
- i** Максимальная нагрузка на противень \_ 4 кг.
- i** Значения времени в этой таблице следует считать справочными. Они могут изменяться в зависимости от температуры продуктов, толщины, вида и ваших кулинарных предпочтений.

Чтобы брызги не попадали на под духовки и не пачкали духовку, ставьте блюдо на противень для выпечки.

## Выпечка и жарение - без вентилятора

Продукты	Аксессуары для пользования	Разогрев *	Уровень размещения	Положение ручки регулятора	Время приготовления
Яблочный пирог	Круглая металлическое блюдо диаметром 20 см на решетке***	10 мин.	4	1...2	60...70 мин.
Фруктовый торт	Круглая металлическое блюдо диаметром 20 см на решетке***	10 мин.	4	1...2	60...70 мин.
Пирог	Круглая металлическое блюдо диаметром 20 см на решетке***	10 мин.	4	1...2	60...70 мин.
Печенье	Стандартный противень**	10 мин.	4	1...2	30...40 мин.

Продукты	Аксессуары для пользования	Разогрев *	Уровень размещения	Положение ручки регулятора	Время приготовления
Выпечка	Стандартный противень**	10 мин.	4	3	45...55 мин.
Торт	Формы для кексов на решетке***	10 мин.	4	1...2	50...70мин.
Сухое печенье	Стандартный противень**	10 мин.	4	1...2	30...40 мин.
Жареная баранина	Стандартный противень**	10 мин.	3...4	15 мин. 5 / макс. затем 3	70...90 мин.
Ростбиф	Стандартный противень**	10 мин.	3...4	20 мин. 5 / макс.затем 3	75...90 мин.
Индейка	Стандартный противень**	10 мин.	3	20 мин. 5 / макс. затем 3	100...120 мин.
Птица	Стандартный противень**	10 мин.	3	15 мин. 5 / макс. затем 3	90...100 мин.
Запеканки	Стандартный противень**	10 мин.	3 ... 4	1...2	90...120 мин.
Рыба	Стандартный противень**	10 мин.	4	3	35...45 мин.
Макароны	Стандартный противень**	10 мин.	4	1...2	50...60 мин.
Песочный торт «Сендвич»	Стандартный противень**	10 мин.	4	1...2	25...35 мин.
Пицца	Стандартный противень**	10 мин.	4	3	20...25 мин.

\* в положении ручки регулятора 5

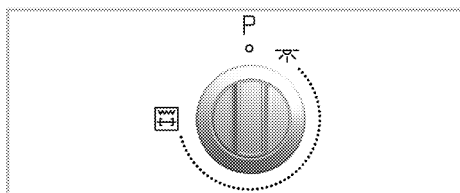
\*\* Эти аксессуары могут не поставляться с продуктом.

\*\*\* Эти аксессуары не поставляются с продуктом. Эти аксессуары доступны в продаже.

## Как пользоваться грилем



Закрывайте дверцу во время приготовления пищи на гриле. Горячие поверхности могут причинить ожоги!



### Включение гриля

1. Поверните ручку выбора функций по часовой стрелке в положение «Гриль».
  2. При необходимости прогрейте гриль около 5 минут.
- » При этом включится индикаторная лампочка температуры.



Устанавливая ручку выбора функций в положение отключения (вверх), не поворачивайте ее **по часовой стрелке**.

### Выключение гриля

1. Выключите духовку, повернув ручку выбора функций **против часовой стрелки** в положение отключения (вверх).



Продукты, которые не подходят для приготовления на гриле, могут привести к возгоранию. На гриле можно готовить только такие продукты, которые выдерживают интенсивный нагрев.

Не размешайте продукты слишком близко к задней части гриля. Эта зона нагревается сильнее всего, и жирные продукты могут загореться.

## Использование вертела

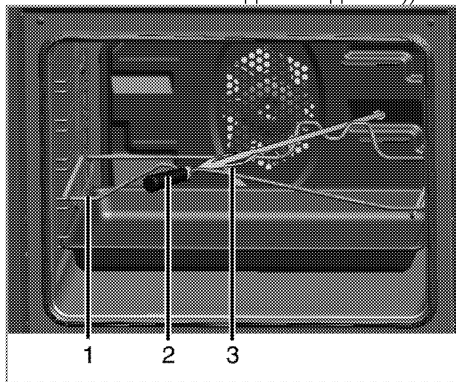
При выборе функции "Гриль" включается электродвигатель, вращающий вертел.



Электродвигатель вертела синхронизирован с функцией гриля. Во время использования этой функции нагревательный элемент гриля периодически включается и отключается. Электродвигатель вертела работает, когда нагревательный элемент гриля включен, и не работает, когда он отключен. Это не является признаком неисправности.

- После включения режима «Гриль» насадите мясо или курицу на вертел с помощью вилки (3).
- Вставьте вертел в гнездо электродвигателя вертела, расположенной на задней стенке духовки. Положите вертел на подставку.

- Установите подставку для вертела на соответствующий уровень духовки.
- Установите на один из нижних уровней противень для сбора жира. Для облегчения чистки противня налейте в него немного воды.
- **Не забудьте снять с вертела пластмассовую ручку. ((Может отличаться в зависимости от модели изделия.))**
- После окончания приготовления присоедините к вертелу пластмассовую ручку и выньте блюдо из духовки. ((Может отличаться в зависимости от модели изделия.))



- 1 Подставка для вертела
  - 2 Пластмассовая ручка \*
  - 3 Вилка
- \* (Может отличаться в зависимости от модели изделия.)

## Время приготовления блюд на гриле

### Приготовление блюд на электрическом гриле

Продукты	Аксессуары для пользования	Уровень размещения	Время приготовления на гриле (прибл.)
Рыба	Решетка	4...5	20...25 мин. #
Курица (куски)	Решетка	4...5	25...35 мин.
Отбивные из молодой баранины	Решетка	4...5	20...25 мин.
Ростбиф	Решетка	4...5	25...30 мин. #
Отбивные из телятины	Решетка	4...5	25...30 мин. #
Гренки *	Решетка	4	1...3 мин.
# в зависимости от толщины			
*Разогрейте в течение 5 минут.			

Блюда, внесенные в настоящую таблицу готовятся в соответствии с EN 60350-1,

чтобы облегчить контролирующим организациям процесс проверки продукта.

Продукты	Аксессуары для пользования	Уровень размещения	Примерное время приготовления (мин.)
Гренки	Решетка	4	1...3 мин.
Тефтели (говядина) - 12 кусками	Решетка	4	25...35 мин.

**Переверните еду после 2/3 от общего времени приготовления на гриле.**  
**Перед приготовлением любых блюд рекомендуется разогреть духовой шкаф в течение 5 минут.**

## 6 Уход и техническое обслуживание

### Общие сведения

Регулярно выполняйте чистку прибора. Это позволит продлить срок его службы, а также избежать многих проблем.

**!** Перед выполнением работ по обслуживанию и чистке отключите прибор от электрической сети. Существует риск поражения электрическим током!

**!** Дайте изделию остыть, прежде чем приступать к чистке. Горячие поверхности могут стать причиной ожогов!

- Прибор следует тщательно чистить после каждого использования. Так легче удалять остатки пищи, которые могут пригореть при следующем использовании прибора.
- Для чистки прибора не требуются специальные чистящие средства. Прибор можно вымыть теплой водой с добавлением жидкого моющего средства, используя мягкую ткань или губку. А затем протереть сухой тканью.
- Обязательно протирайте прибор насухо после чистки и сразу же удаляйте попавшую на него жидкость.
- Не используйте для чистки ручки и поверхностей из нержавеющей стали чистящие средства, содержащими кислоту или хлор. Эти детали можно протирать мягкой тканью, смоченной в жидком моющем средстве (без абразивных добавок), стараясь тереть в одном направлении.

**i** Некоторые моющие средства и чистящие материалы могут повредить поверхность. Не используйте для чистки агрессивные моющие средства, чистящие порошки/кремы, а также острые предметы.

**i** Не используйте для чистки устройства парочистители, поскольку это может привести к поражению электрическим током.

### Чистка панели управления

Очистьте панель управления и ручки-регуляторы влажной тканью и вытрите насухо.

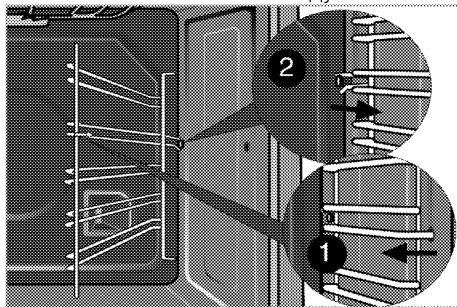
**i** Если ваш прибор оснащен кнопками/переключателями, не снимайте переключатели-регуляторы для чистки панели управления. Так можно повредить панель управления!

### Чистка духовки

**Чистка боковых стенок (Может отличаться в зависимости от модели изделия.)**

(Данная функция \_ дополнительная. Она может отсутствовать в вашем изделии.)

1. Снимите переднюю часть боковой решетки, оттянув ее от боковой стенки.
2. Потяните боковую решетку к себе и полностью выньте ее из духовки.

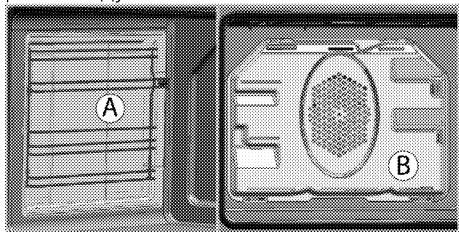


**Стенки с каталитическим покрытием**

(Данная функция \_ дополнительная. Она может отсутствовать в вашем изделии.)

Внутренние боковые стенки (А) и (или) задняя стенка (В) вашего изделия могут быть покрыты каталитической эмалью.

Стенки с каталитическим покрытием имеют светлую матовую пористую поверхность. Стенки духового шкафа с каталитическим покрытием не нуждаются в чистке. Благодаря перфорированной структуре, поверхности с каталитическим покрытием поглощают жир и при накоплении жира на поверхность начинают блестеть. В таком случае рекомендуется их заменить.



### Чистка дверцы духовки

Мойте дверцу духовки мягкой тканью или губкой, смоченной в теплой воде с добавлением жидкого моющего средства, и вытирайте сухой тканью. Протрите стекло уксусом, а затем ополосните его от остатков извести, которые могут образоваться на стекле духовки.

**i** Не используйте для чистки дверцы моющие средства с абразивными веществами или металлические скребки. Они могут поцарапать поверхность и повредить стекло.

### Очистка дверцы духовки

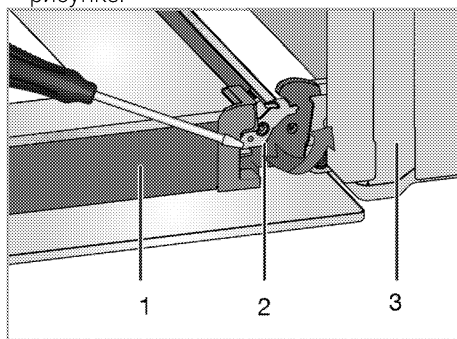
**i** Не используйте жесткие абразивные чистящие средства, металлические скребки, проволочную мочалку или отбеливатели для чистки дверцы и стекла духовки.

Вы можете снять дверцу духовки и дверные стекла, чтобы почистить их. О том, как снять дверцы и стекла объясняется в разделах «Снятие дверцы духовки» и «Снятие внутренних стекол дверцы». После снятия внутренних

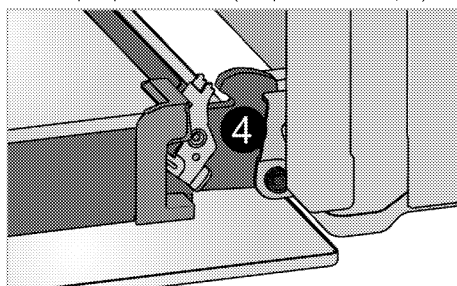
стекла дверцы очистите их с помощью средства для мытья посуды, теплой водой и мягкой ткани или губки и вытрите их сухой тканью. Протрите стекло уксусом, а затем ополосните его от остатков извести, которые могут образоваться на стекле духовки.

### Снятие дверцы духового шкафа

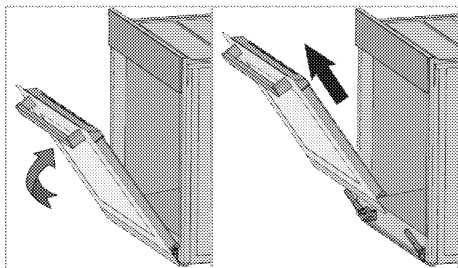
1. Откройте переднюю дверцу (1).
2. Откройте зажимы на корпусе петли (2) с правой и левой стороны передней дверцы, нажав на них, как показано на рисунке.



- 1 Дверца
- 2 Шарнирный замок(закрытое положение)
- 3 Духовой шкаф
- 4 Шарнирный замок(открытая позиция)



3. Откройте переднюю дверцу наполовину.



4. Снимите переднюю дверцу, потянув ее вверх и освободив от правой и левой петли.

**i** Для установки дверцы на место следует выполнить в обратном порядке действия по снятию. Не забудьте закрыть зажимы на корпусе петли при установке дверцы на место.

## Замена лампочки освещения духового шкафа

**!** Во избежание поражения электрическим током, прежде чем заменять лампочку, убедитесь в том, что электроприбор отсоединен от сети и остыл. Горячие поверхности могут причинить ожоги!

**i** В этой духовке используется лампа накаливания мощностью менее 40 Вт, высотой менее 60 мм, диаметром менее 30 мм или галогенная лампа с цоколем типа G9, мощностью менее 60 Вт. Лампы подходят для работы при температуре выше 300 °С. Лампы для духовки можно получить у авторизованных сервисных агентов или у технического специалиста с лицензией. Этот продукт содержит лампу энергетического класса G.

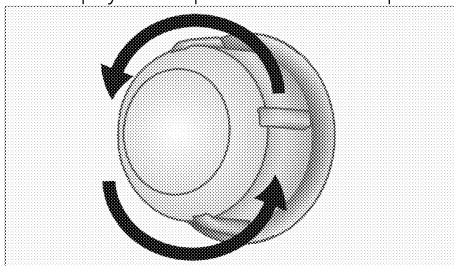
**i** Расположение лампочки может отличаться от изображения на рисунке.

**i** Лампа, используемая в этом приборе, не подходит для освещения бытовых помещений. Эта лампа предназначена для вспомогательной цели, позволяющей пользователю увидеть пищевые продукты.

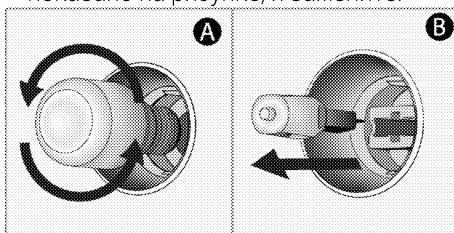
**i** Лампы, используемые в этом приборе, должны выдерживать экстремальные физические условия, например температуру выше 50 °С.

## Замена круглой лампочки освещения духового шкафа

1. Отсоедините духовой шкаф от электросети.
2. Снимите стеклянный плафон, повернув его против часовой стрелки.



3. Если в вашей духовке используется лампа типа (А), показанная на рисунке ниже, поверните ее в соответствии с рисунком, чтобы извлечь ее и заменить. Если используется лампа типа (В), потяните и извлеките ее, как показано на рисунке, и замените.



4. Установите на место стеклянный плафон.

## **7 Поиск и устранение неисправностей**

### **Во время работы из духового шкафа выделяется пар.**

- Вполне нормально, если пар выделяется во время работы. >>> *Это не является неисправностью.*

### **При нагревании и охлаждении прибор издает металлические шумы.**

- При нагревании металлические детали могут расширяться и издавать звуки. >>> *Это не является неисправностью.*

### **Прибор не работает.**

- Плавкий предохранитель неисправен или сработал. >>> *Проверьте плавкие предохранители в блоке предохранителей. При необходимости замените их или включите.*
- Продукт не включен в (заземленную) розетку электросети. >>> *Проверьте соединение штепсельной вилки.*

### **При розжиге не вспыхивает искра.**

- Нет тока. >>> *Проверьте предохранители в блоке предохранителей.*

### **Газ не поступает.**

- Перекрыт общий газовый кран. >>> *Откройте газовый кран.*
- Перегиб газового шланга. >>> *Правильно расположите газовый шланг.*



Если вы не можете устранить неполадки, несмотря на выполнение инструкций, приведенных в данном разделе, обратитесь к представителю авторизованной сервисной службы. Не пытайтесь самостоятельно отремонтировать неисправный электроприбор.

Изготовитель: «Arcelik A.S.»

Юридический адрес: Караач Джаддеси № 2-6 34445 Сютлюдже Стамбул, Турция  
(Karaağaç Caddesi No:2-6 Sütlüce, 34445, Turkey)

Произведено в Турции

Импортер на территории РФ: ООО «БЕКО»

Юридический адрес: 601021 Россия, Владимирская обл., Киржачский р-н, МОСП  
Першинское, дер. Федоровское, ул. Сельская, д. 49.

Информацию о сертификации продукта Вы можете уточнить, позвонив на горячую линию  
8-800-200-23-56.

Дата производства включена в серийный номер продукта, указанный на этикетке, расположенной на продукте, а именно: первые две цифры серийного номера обозначают год производства, а последние две \_ месяц. Например, "10-100001-05" обозначает, что продукт произведен в мае 2010 года.

Изготовитель оставляет за собой право на внесение изменений в конструкцию, дизайн и комплектацию электроприбора.